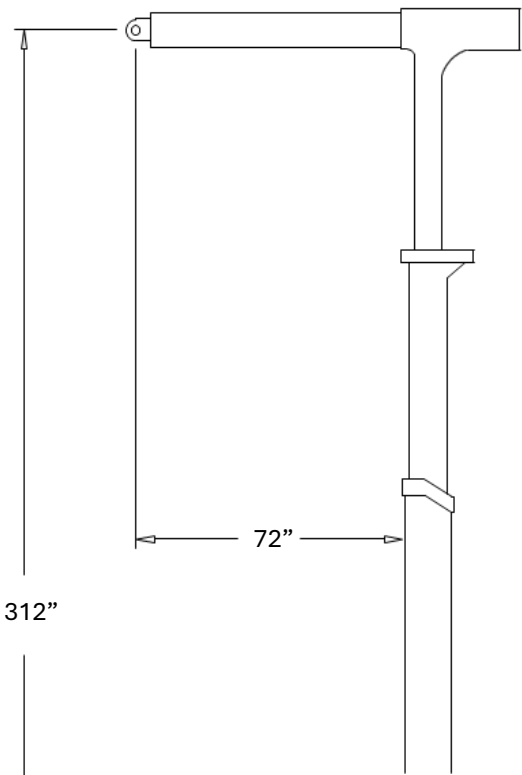


# VERSA-LIFT 40/60



- Capacity:** 40,000 lbs. Frame Retracted  
60,000 lbs. Frame Extended
- Engine:** 2.5L Kubota Industrial Engine
- Transmission:** Two Speed Hydrostatic
- Grade:** 47% Empty  
20% Loaded
- Tilt:** 12° Forward  
7° Back
- Weight:** Gross – 57,000 lbs.  
Counterweights – 16,000 lbs.  
Boom – 6,000 lbs.  
Forks – 3,000 lbs.

