

KOBELCO

Hydraulic Excavator

-11 SERIES

SK260D LC

Scrap Loader & Material Handler

Performance  Design

■ Engine Power:

194 hp {145 kW} @ 2,200 rpm
(SAE NET)

■ Operating Weight:

74,300 lb {33,700 kg} - 74,700 lb {33,900 kg}

Scrap Loader 1-Pin Droop Nose
Material Handler 2-Pin Linkage Type



Complies with the
latest exhaust
emission regulations



US EPA
Tier IV Final

Advanced LED backlight

Switches and dials utilize LED backlighting to increase visibility at night and improve the ambiance of the interior.

A jog dial for simple operation

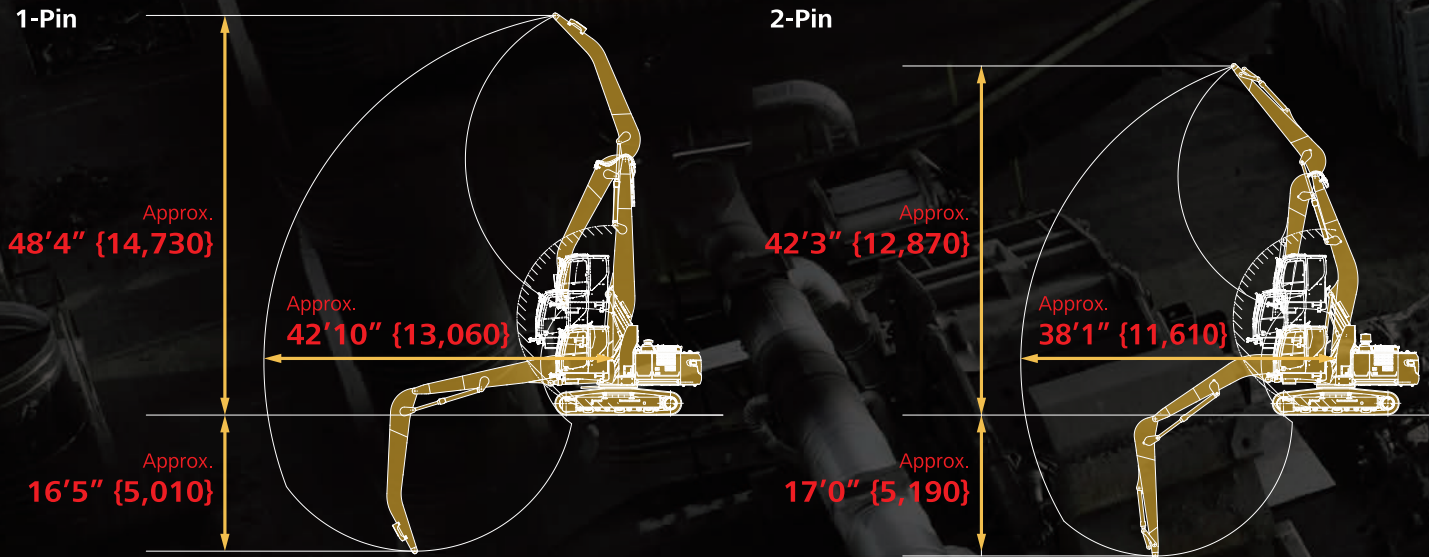
Multiple operations can be performed with the jog dial. By simply turning, selecting, pushing, and confirming while navigating through the dial display.

Large easy-to-see 10-inch color monitor

Important information is easy to read, and operations can be performed from a simple menu screen. The camera can also be easily checked from the large screen, contributing to safe operation.



Working range (arm linkage pin position)

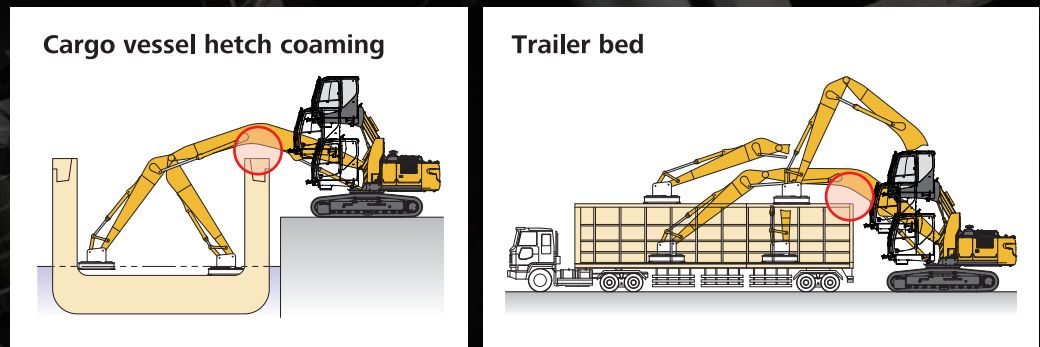


Powerful lifting with two under-sided mount arm cylinders



2-Pin bent boom

In addition to the (1-Pin) straight boom that emphasizes working radius a (2-Pin) bent boom is available. The unique shape that does not interfere with the cargo bed hatch coaming of a cargo vessel, allowing smooth loading work.



Safety

Functions and equipment designed for the protection of operators and workers.

Cab-interference prevention device that prevents the tool from contacting cab

Angle sensors in the boom, arm, and idler link calculate the position and orientation of the tool. If the tool gets too close to the cab, a warning will be displayed on the screen, and it will automatically stop if it enters the interference-danger zone.



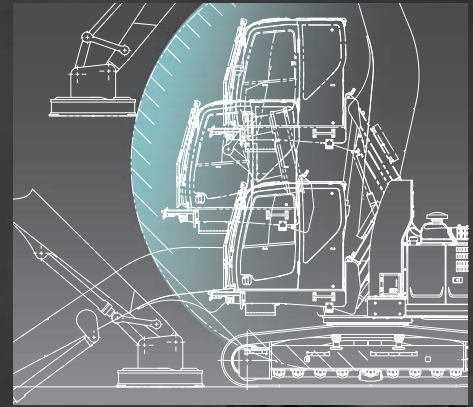
Boom-angle sensor

Arm-angle sensor

2-Pin angle sensor



Cab interference warning

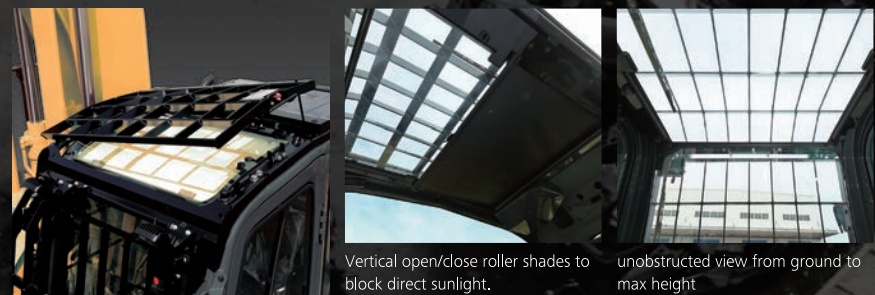


Cab protected for scrap loader



Easy to clean open/close cab guard (upper front window and skylight)

A new cab with bar-type guard on the front and a heavy FOPS Level II guard on the top window are hinged to open for easy glass cleaning. The front and right-side windows have shatter resistant coating applied to help protect the operator.



Vertical open/close roller shades to block direct sunlight.

unobstructed view from ground to max height

Visibility

Better visibility for better safety

LED work lights to allow visibility in low light or at night

Equipped with eight bright LED work lights. The lights keep the work area bright in low light or at night for both the operator and other workers in the area.



Upper structure (1 light)



Cab top (2 lights)



Cab bottom (1 light)



Attachment (2 lights)



Cab under view mirror



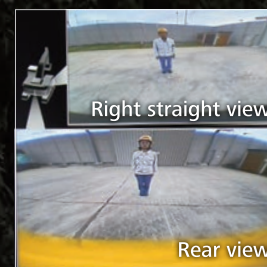
2 on counterweight

Standard 3 sides safety camera system

Our high-resolution, large display shows right, left and rear side cameras together. Multiple display allows the operator to customize viewing needs to enhance operator awareness and jobsite safety.



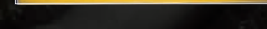
3 sides view



Right straight view



Right side view



Rear view



Rear view

Equipment

Equipment designed specially for auto recycling.



Scrap loader straight boom
(1-Pin)



2-position boom cylinders (2-Pin)



Arm cylinders



Proportional slides on the joysticks with power boost switch (right control lever)



Rotation & fork grapple piping
(1-Pin)



Centralized attachment greasing system



Easy lubrication for elevator cab
The grease nipples for lubricating the elevator cab are gathered in one place.



23.6" (600 mm) flat shoes



Cab front-side step



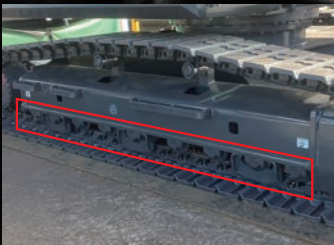
Boom foot guard



Upper frame belly guards



Lower swivel guard



Reinforced additional track guide



Reinforced travel motor cover



Embarked prevention fence



Public address system



Cab crash danger sign



Pre-air cleaner

This pre-air cleaner has a high dust resistance function that extends the life of the air filter, and is maintenance-free due to the automatic dust discharge function.

Specifications

SK260D_{LC} SK260DLC-11

Engine

Model	YANMAR 4TN107FTT
Type	Four-cycle, water-cooled, direct injection diesel engine, turbo charged, Tier 4 Final exhaust emission regulation
No. of cylinders	4
Bore and stroke	4.2" × 5.0" {107 mm × 127 mm}
Displacement	278.7 cu.in {4.567 L}
Rated power output	194 hp {145 kW} /2,200 rpm (SAE NET) 208 hp {155 kW} /2,200 rpm (Without fan)
Max. torque	577 lb-ft {783 N·m} /1,500 rpm (SAE NET) 594 lb-ft {805 N·m} /1,500 rpm (Without fan)

Hydraulic system

Pump	19'4" {5.90 m} Arm (1-Pin)	16'7" {5.05m} Arm (2-Pin)
Type	Two variable displacement axial piston pumps + extra gear pump + pilot gear pump	
Max. discharge flow	2 × 64.7 gpm {2 × 245 L/min} 1 × 11.3 gpm {1 × 42.6 L/min} 1 × 5.5 gpm {1 × 21 L/min}	
Relief valve setting		
Boom, arm and bucket	4,970 psi {34.3 MPa}	
Power boost	5,480 psi {37.8 MPa}	
Travel circuit	4,970 psi {34.3 MPa}	
Swing circuit	4,120 psi {28.4 MPa}	
Control circuit	725 psi {5.0 MPa}	
Pilot control pump	Gear type	
Main control valve	8-spool	
Oil cooler	Air cooled type	

Swing system

Swing motor	One fixed displacement piston motor
Brake	Hydraulic; locking automatically when the swing control lever is in the neutral position
Parking brake	Wet multiple plate
Swing speed	7.4 rpm {7.4 min-1}
Swing torque	63,000 lb-ft {85.9 kN·m}

Hydraulic P.T.O.

Specification	Output	Maximum pressure psi {MPa}	Max. flow U.S. gpm, {lpm}
			(0 pressure)
			2,100 rpm
Auxiliary		4,970 {34.3}	2 × 64.7 {2 × 245}
Rotation		2,990 {20.6}	11.3 {42.6}

Travel system

Travel motors	2 × axial-piston, two-step motors
Travel brakes	Hydraulic brake per motor
Parking brakes	Oil disc brake per motor
Travel shoes	51 each side
Travel speed	2.2/3.6 mph {3.6/5.8 km/h}
Drawbar pulling force	53.7 lbf {239kN}
Gradeability	47% {25.2°}

Cab & control

Cab
All-weather, sound-suppressed steel cab mounted on the high suspension mounts filled with silicone oil and equipped with a heavy, insulated floor mat.
Control
Two hand levers and two foot pedals for travel
Two hand levers for excavating and swing
Electric rotary-type engine throttle

Cylinders

Model	19'4" {5.90 m} Arm (1-Pin)	16'7" {5.05m} Arm (2-Pin)
Boom cylinder	5.5" {140 mm} × 4'3" {1,305 mm}	
Arm cylinder	5.1" {130 mm} × 4'3" {1,287 mm}	
Bucket cylinder	-	4.7" {120 mm} × 3'7" {1,080 mm}
Cab cylinder	3.1" {80 mm} × 28.2" {717 mm}	

Refilling capacities & lubrications

Fuel tank	106.5 U.S.gal {403 L}	
Cooling system	6.1 U.S.gal {23 L}	
Engine oil	5.3 U.S.gal {20 L}	
Travel reduction gear	2 × 1.3 U.S.gal {2 × 5 L}	
Swing reduction gear	1.3 U.S.gal {5 L}	
Hydraulic oil tank	Tank oil level	43.6 U.S.gal {165 L}
	Hydraulic system	72.1 U.S.gal {273 L}
DEF tank	21.9 U.S.gal {83 L}	

Operating weight & ground pressure

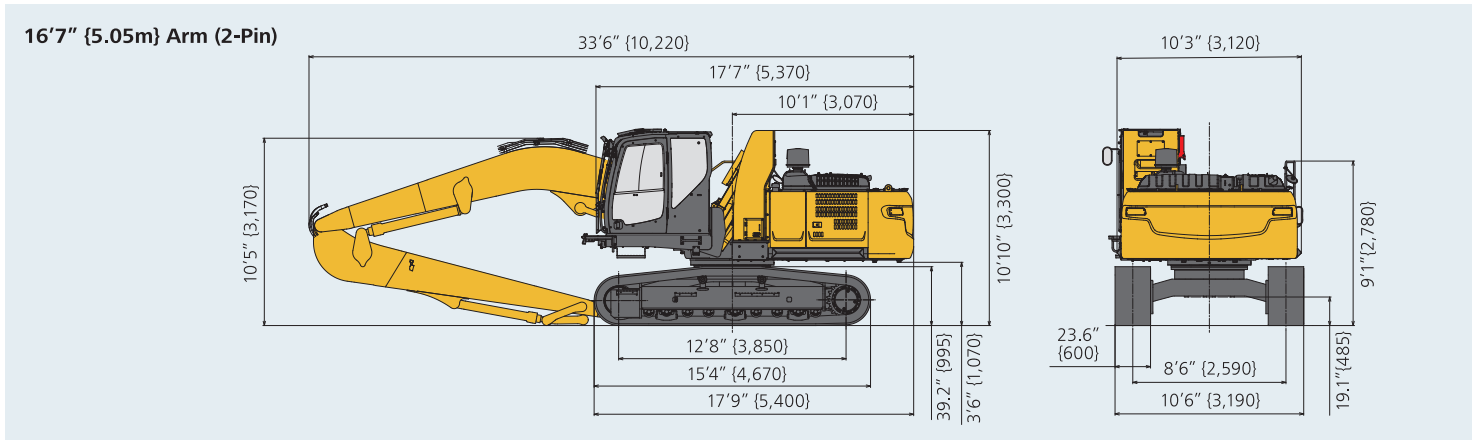
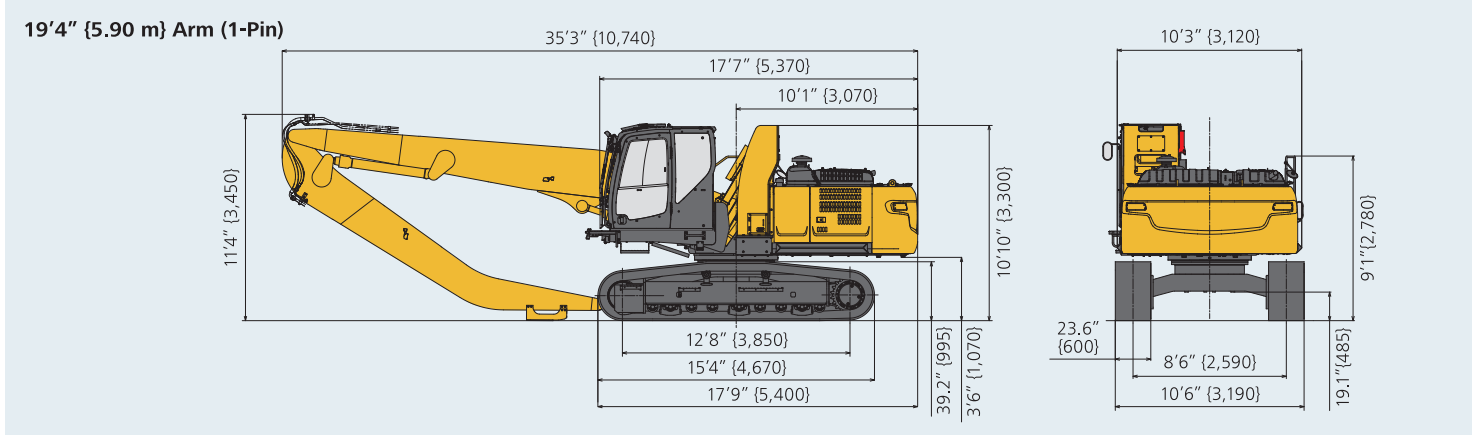
Attachment Type	19'4" {5.90 m} Arm (1-Pin)	16'7" {5.05m} Arm (2-Pin)
Shoe width	ft-in {mm} 23.6" {600}	
Overall width of crawler	ft-in{mm} 10'6" {3,190}	
Ground pressure	psi{kPa} 9.7 {67.0}	
Operating weight	74,300 {33,700}	74,700 {33,900}

Specifications

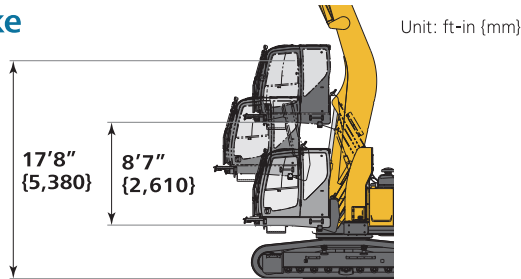
SK260D_{LC} SK260DLC-11

Dimensions

Unit: ft-in {mm}



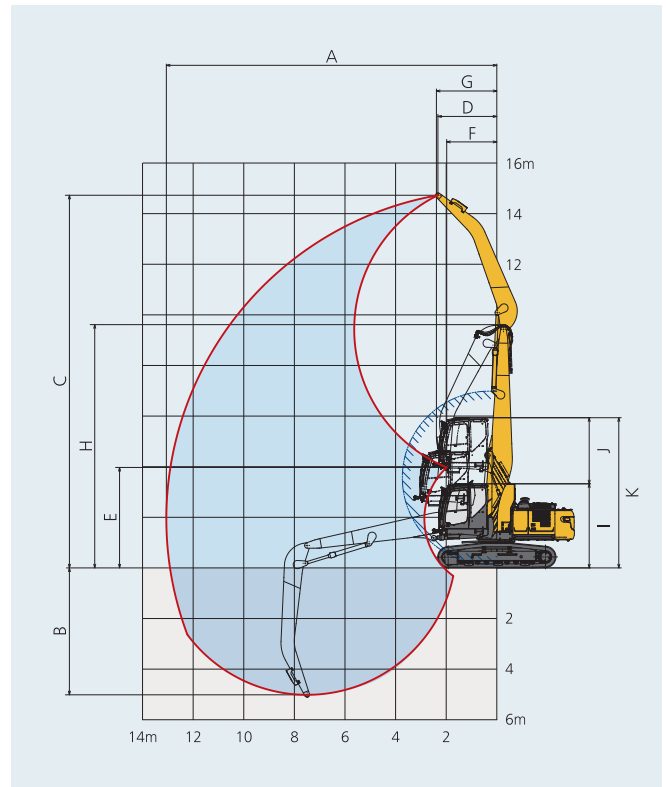
Elevation stroke



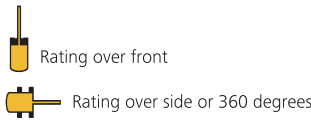
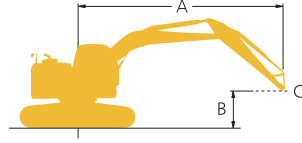
Working range

Unit: ft-in {mm}

Range	SK260DLC	
	1-Pin	2-Pin
A- Max. operation reach (arm top)	42'10" {13,060}	38'1" {11,610}
B- Max. operation depth (arm top)	16'5" {5,010}	17'0" {5,190}
C- Max. operation height (arm top)	48'4" {14,730}	42'3" {12,870}
D- Radius of attachment at max. operation height (arm top)	7'8" {2,330}	12'4" {3,760}
E- Max. dumping height at arm in position (arm top)	13'0" {3,970}	12'9" {3,880}
F- Radius of attachment at arm in position (arm top)	6'6" {1,980}	6'3" {1,910}
G- Min. front swing radius	7'10" {2,390}	7'3" {2,200}
H- Height at min. front swing radius	31'6" {9,610}	29'6" {8,990}
I- min. height	10'11" {3,320}	10'9" {3,280}
J- Elevation stroke stroke	8'7" {2,610}	8'7" {2,610}
K- max. height	19'6" {5,930}	19'4" {5,890}



Lift capacities



A - Reach from swing centerline to arm top

B - Arm top height above/below ground

C - Lift point

Relief valve setting: 4,970 psi {34.3 MPa}

Relief valve setting (Heavy Lift): 5,480 psi {37.8 MPa}

SK260DLC		Boom: 24'7" {7.50 m}		Arm (1-Pin): 19'4" {5.90 m}		Without bucket:		Counterweight: 20,700 lb {9,400 kg}		Shoe: 23.6" {600 mm} (Heavy Lift)							
A	B	10' {3.0 m}		15' {4.6 m}		20' {6.1 m}		25' {7.6 m}		30' {9.1 m}		35' {10.7 m}		40' {12.2 m}		At max. reach	
		Rating over front	Rating over side or 360 degrees	Rating over front	Rating over side or 360 degrees	Rating over front	Rating over side or 360 degrees	Rating over front	Rating over side or 360 degrees	Rating over front	Rating over side or 360 degrees	Rating over front	Rating over side or 360 degrees	Rating over front	Rating over side or 360 degrees	Radius	
45' {13.7 m}	lb {kg}			*17,000 {7,710}	*17,000 {7,710}										*12,280 {5,570}	*12,280 {5,570}	19'9" {6.03 m}
40' {12.2 m}	lb {kg}					*17,500 {7,930}	*17,500 {7,930}	*12,530 {5,680}	*12,530 {5,680}						*9,990 {4,530}	*9,990 {4,530}	27'2" {8.30 m}
35' {10.7 m}	lb {kg}					*18,600 {8,430}	*18,600 {8,430}	*16,650 {7,550}	*16,650 {7,550}	*12,220 {5,540}	*12,220 {5,540}				*8,930 {4,050}	*8,930 {4,050}	32'3" {9.84 m}
30' {9.1 m}	lb {kg}					*18,320 {8,300}	*18,320 {8,300}	*16,380 {7,420}	*16,380 {7,420}	*14,860 {6,740}	13,020 {5,900}	*9,930 {4,480}	9,880 {4,480}		*8,340 {3,780}	*8,340 {3,780}	35'11" {10.97 m}
25' {7.6 m}	lb {kg}					*18,740 {8,500}	*18,740 {8,500}	*16,590 {7,520}	*16,590 {7,520}	*14,890 {6,750}	12,930 {5,860}	*13,460 {6,100}	9,940 {4,500}		*8,020 {3,630}	*8,020 {3,630}	38'8" {11.80 m}
20' {6.1 m}	lb {kg}					*19,840 {8,990}	*19,840 {8,990}	*17,200 {7,800}	16,910 {7,670}	*15,180 {6,880}	12,650 {5,730}	*13,520 {6,130}	9,810 {4,440}	*9,490 {4,300}	7,740 {3,510}	*7,870 {3,590}	40'8" {12.40 m}
15' {4.6 m}	lb {kg}			*26,780 {12,140}	*26,780 {12,140}	*21,520 {9,760}	*21,520 {9,760}	*18,080 {8,200}	16,220 {7,350}	*15,610 {7,080}	12,240 {5,550}	*13,660 {6,190}	9,570 {4,340}	11,110 {5,030}	7,650 {3,460}	*7,870 {3,560}	41'11" {12.80 m}
10' {3.0 m}	lb {kg}	*45,940 {20,830}	*45,940 {20,830}	*30,690 {13,920}	*30,690 {13,920}	*23,370 {10,600}	21,370 {9,690}	*19,010 {8,620}	15,390 {6,980}	*16,030 {7,270}	11,740 {5,320}	13,440 {6,090}	9,280 {4,200}	10,950 {4,960}	7,500 {3,400}	*7,990 {3,620}	42'8" {13.01 m}
5' {1.5 m}	lb {kg}	*10,650 {4,830}	*10,650 {4,830}	*33,520 {15,200}	29,930 {13,570}	*24,750 {11,220}	19,890 {9,020}	*19,650 {8,910}	14,550 {6,590}	*16,240 {7,360}	11,230 {5,090}	13,110 {5,940}	8,970 {4,060}	10,780 {4,880}	7,330 {3,320}	*8,240 {3,730}	42'9" {13.05 m}
G.L.	lb {kg}	*8,290 {3,760}	*8,290 {3,760}	*24,310 {11,020}	*24,310 {11,020}	*24,980 {11,330}	18,710 {8,480}	*19,670 {8,920}	13,840 {6,270}	15,950 {7,230}	10,790 {4,890}	12,830 {5,810}	8,700 {3,940}	*10,630 {4,820}	7,190 {3,260}	*8,640 {3,910}	42'4" {12.92 m}
-5' {-1.5 m}	lb {kg}	*9,860 {4,470}	*9,860 {4,470}	*19,730 {8,940}	*19,730 {8,940}	*23,750 {10,770}	17,980 {8,150}	*18,780 {8,510}	13,350 {6,050}	*15,180 {6,880}	10,470 {4,740}	*12,250 {5,550}	8,510 {3,860}	*9,200 {4,170}	7,120 {3,220}	*8,130 {3,680}	41'4" {12.61 m}
-10' {-3.0 m}	lb {kg}			*19,900 {9,020}	*19,900 {9,020}	*21,000 {9,520}	17,650 {8,000}	*16,810 {7,620}	13,090 {5,930}	*13,460 {6,100}	10,300 {4,670}	*10,420 {4,720}	8,430 {3,820}		*6,950 {3,150}	*6,950 {3,150}	39'8" {12.11 m}
-15' {-4.6 m}	lb {kg}					*16,700 {7,570}	*16,700 {7,570}	*13,550 {6,140}	13,070 {5,920}	*10,560 {4,780}	10,310 {4,670}				*5,330 {2,410}	*5,330 {2,410}	37'4" {11.39 m}

SK260DLC		Boom: 22'8" {6.90 m}		Arm (2-Pin): 16'7" {5.05m}		Without bucket:		Counterweight: 20,700 lb {9,400 kg}		Shoe: 23.6" {600 mm} (Heavy Lift)						
A	B	10' {3.0 m}		15' {4.6 m}		20' {6.1 m}		25' {7.6 m}		30' {9.1 m}		35' {10.7 m}		At max. reach		Radius
		Rating over front	Rating over side or 360 degrees	Rating over front	Rating over side or 360 degrees	Rating over front	Rating over side or 360 degrees	Rating over front	Rating over side or 360 degrees	Rating over front	Rating over side or 360 degrees	Rating over front	Rating over side or 360 degrees	Rating over front	Rating over side or 360 degrees	
40' {12.2 m}	lb {kg}			*18,850 {8,550}	*18,850 {8,550}									*16,120 {7,310}	*16,120 {7,310}	15'0" {4.59 m}
35' {10.7 m}	lb {kg}					*16,460 {7,460}	*16,460 {7,460}							*12,270 {5,560}	*12,270 {5,560}	23'9" {7.24 m}
30' {9.1 m}	lb {kg}					*15,600 {7,070}	*15,600 {7,070}	*14,700 {6,660}	*14,700 {6,660}					*10,830 {4,910}	*10,830 {4,910}	29'1" {8.86 m}
25' {7.6 m}	lb {kg}					*15,800 {7,160}	*15,800 {7,160}	*14,650 {6,640}	*14,650 {6,640}	*13,750 {6,230}	12,340 {5,590}			*10,140 {4,590}	*10,140 {4,590}	32'9" {9.99 m}
20' {6.1 m}	lb {kg}					*16,950 {7,680}	*16,950 {7,680}	*15,240 {6,910}	*15,240 {6,910}	*13,930 {6,310}	12,210 {5,530}	*11,570 {5,240}	9,270 {4,200}	*9,850 {4,460}	9,090 {4,120}	35'4" {10.77 m}
15' {4.6 m}	lb {kg}			*22,900 {10,380}	*22,900 {10,380}	*18,900 {8,570}	*18,900 {8,570}	*16,290 {7,380}	15,940 {7,230}	*14,440 {6,540}	11,910 {5,400}	*13,010 {5,900}	9,170 {4,150}	*9,830 {4,450}	8,280 {3,750}	37'0" {11.27 m}
10' {3.0 m}	lb {kg}	*41,880 {18,990}	*41,880 {18,990}	*27,730 {12,570}	*27,730 {12,570}	*21,280 {9,650}	*21,280 {9,650}	*17,550 {7,960}	15,240 {6,910}	*15,070 {6,830}	11,510 {5,220}	13,140 {5,960}	8,970 {4,060}	*10,040 {4,550}	7,820 {3,540}	37'10" {11.54 m}
5' {1.5 m}	lb {kg}	*11,530 {5,220}	*11,530 {5,220}	*31,900 {14,460}	30,350 {13,760}	*23,420 {10,620}	20,010 {9,070}	*18,690 {8,470}	14,520 {6,580}	*15,620 {7,080}	11,090 {5,030}	12,900 {5,850}	8,740 {3,960}	*10,490 {4,750}	7,640 {3,460}	38'0" {11.59 m}
G.L.	lb {kg}	*10,370 {4,700}	*10,370 {4,700}	*32,440 {14,710}	28,540 {12,940}	*24,620 {11,160}	18,980 {8,600}	*19,330 {8,760}	13,900 {6,300}	*15,830 {7,180}	10,720 {4,860}	12,690 {5,750}	8,540 {3,870}	*11,230 {5,090}	7,700 {3,490}	37'6" {11.43 m}
-5' {-1.5 m}	lb {kg}	*13,170 {5,970}	*13,170 {5,970}	*27,450 {12,450}	*27,450 {12,450}	*24,480 {11,100}	18,340 {8,310}	*19,160 {8,690}	13,480 {6,110}	*15,430 {6,990}	10,460 {4,740}	*12,210 {5,530}	8,430 {3,820}	*11,120 {5,040}	8,050 {3,650}	36'2" {11.03 m}
-10' {-3.0 m}	lb {kg}	*16,520 {7,490}	*16,520 {7,490}	*28,580 {12,960}	27,440 {12,440}	*22,830 {10,350}	18,070 {8,190}	*17,900 {8,110}	13,280 {6,020}	*14,050 {6,370}	10,360 {4,690}			*10,390 {4,710}	8,780 {3,980}	34'1" {10.39 m}
-15' {-4.6 m}	lb {kg}			*24,810 {11,250}	*24,810 {11,250}	*19,420 {8,800}	18,130 {8,220}	*15,090 {6,840}	13,330 {6,040}					*9,070 {4,110}	*9,070 {4,110}	30'11" {9.43 m}

- Notes:**
- Do not attempt to lift or hold any load that is greater than these lift capacities at their specified lift point radius and heights. Weight of all accessories must be deducted from the above lift capacities.
 - Lift capacities are based on machine standing on level, firm, and uniform ground. User must make allowance for job conditions such as soft or uneven ground, out of level conditions, side loads, sudden stopping of loads, hazardous conditions, experience of personnel, etc.
 - Bucket pin attachment point defined as lift point.
 - The above lift capacities are in compliance with ISO 10567. They do not exceed 87% of hydraulic lift capacity or 75% of tipping load. Lift capacities marked with an asterisk (*) are limited by hydraulic capacity rather than tipping load.
 - Operator should be fully acquainted with the Operator's and Maintenance Instructions before operating this machine. Rules for safe operation of equipment should be adhered to at all times.
 - Lift capacities apply to only machine as originally manufactured and normally equipped by KOBELCO CONSTRUCTION MACHINERY CO., LTD.

Standard and Optional Equipment

●=Std ○=Opt

Category	Description	SK260DLC-11	
		1-Pin	2-Pin
Engine	YANMAR 4TN107FTT (Tier IV Final certified)	●	●
	Auto engine acceleration/deceleration	●	●
	Auto Idle Stop	●	●
Hydraulic system	3 work modes H, S, Eco	●	●
	Power boost	●	●
	Heavy lift mode	●	●
	Independent travel	●	●
	Swing priority	●	●
	Hydraulic pressure release	●	●
	Boom to arm regeneration	●	●
	Auto warm-up system	●	●
	Rotation hydraulics with proportional hand control	●	●
	Hydraulic oil VG46	●	●
Piping	Rotation & fork grapple piping	●	●
Cabin	Link type elevator cab	●	●
	Suspension seat with armrest	●	●
	10-inch color monitor	●	●
	LED door light	●	●
	Automatic climate control	●	●
	Radio (AM/FM, AUX, USB, Bluetooth® and hands-free telephone)	●	●
	12V power outlet	●	●
Lights	10 LED work lights: 2 on boom, 2 on arm, 2 on cab front, 1 on cab under, 2 on rear counterweight, 1 on front right	●	●
Working equipment	Scrap loader straight boom (1-Pin)	●	—
	Material handler bent boom (2-Pin)	—	●
	Scrap loader 1-Pin droop nose arm 19'4"	●	—
	Material handler 2-Pin linkage type arm	—	●
Counterweight	Heavier C/W 20,700 lb (9,400 kg) with swing flashers	●	●
Undercarriage	23.6" {600 mm} flat shoes	●	●
	23.6" {600 mm} triple grouser shoes	○	○
	27.6" {700 mm} triple grouser shoes	○	○
	31.5" {800 mm} triple grouser shoes	○	○
	35.4" {900 mm} triple grouser shoes	○	○
	Reinforced additional track guide	●	●
	LC lower frame	●	●
	Reinforced travel motor covers	●	●
	Elevator lower step	●	●
	Lower swivel guard	●	●
Safety	Tilt opening top cab guard (Top guard level II ISO 10262:1998)	●	●
	Bar-type front guard (Front guard level II ISO 10262:1998)	●	●
	Mesh-type front guard (Front guard level I ISO 10262:1998)	○	○
	Engine emergency stop switch	●	●
	3-inch retractable seat belt	●	●
	Seatbelt indicator on display	●	●
	Travel alarm	●	●
	Cab emergency lowering device	●	●
	Cab lift alarm	●	●
	Swing flashers in counterweight	●	●
	Cab room mirror	●	●
	Cab under view mirror	●	●
	Left rear and right side mirrors	●	●
	3-side 270-degree camera system	●	●
	Others	Hose burst valve for boom and arm cylinder	○
Pre-aircleaner		●	●
Angled upper deck guards		●	●
Quick coupler piping ready brackets		●	●
ISO to BHL pattern changer		●	●
Single pedal travel		○	○
Battery disconnect switch		●	●
Cylinder guard (main boom foot)		●	●
KOMEXS machine monitoring		●	●
3 Year or 3,000 hour warranty		●	●

Note: Bluetooth® is a registered trademark of the Bluetooth SIG Inc.

Note: This catalog may contain attachments and optional equipment that are not available in your area. And it may contain photographs of machines with specifications that differ from those of machines sold in your areas. Please consult your nearest KOBELCO distributor for those items you require. Due to our policy of continuous product improvements all designs and specifications are subject to change without advance notice.

Copyright by **KOBELCO CONSTRUCTION MACHINERY CO., LTD.** No part of this catalog may be reproduced in any manner without notice.

KOBELCO CONSTRUCTION MACHINERY U.S.A. INC.

22350 Merchants Way, Katy, TX 77449
Tel: 281-888-8430 Fax: 281-506-8713
www.KOBELCO-USA.com

Inquiries To:

KOBELCO is the corporate mark used by Kobe Steel on a variety of products and in the names of a number of Kobe Steel Group companies.