

Volvo Construction Equipment
Building Tomorrow



EC380E_{HR}, EC480E_{HR}, EC750E_{HR}

Volvo Excavators



Volvo EC380E_{HR}, E480E_{HR}, EC750E_{HR} in detail

Engine

The latest generation, Volvo engine Tier 4f emissions certified diesel engine fully meets the demands of the latest, emissions regulations. Featuring Volvo Advanced Combustion Technology (V-ACT), it is designed to deliver superior performance and fuel efficiency. The engine uses precise, high-pressure fuel injectors, turbo charger and air-to-air intercooler, and electronic engine controls to optimize machine performance. Air Filter: 3-stage with precleaner. Automatic Idling System: Reduces engine speed to idle when the levers and pedals are not activated resulting in less fuel consumption and low cab noise levels.

EC380EHR

Engine Tier 4f	Volvo	D13J
Max power at	r/s / r/min	28 / 1,700
Net, ISO 9 249/SAE J1 349	kW (hp)	229 (307)
Gross, ISO 14 396/SAE J1 995	kW (hp)	230 (308)
Max torque at	Nm (lbf ft) / r/min	1,692 (1,248) / 1,275
No. of cylinders		6
Displacement	l (in ³)	12.8 (781)
Bore	mm (in)	131 (5.16)
Stroke	mm (in)	158 (6.22)

EC480EHR

Engine Tier 4f	Volvo	D13J
Max power at	r/s / r/min	30 / 1,800
Net, ISO 9 249/SAE J1 349	kW (hp)	283 (380)
Gross, ISO 14 396/SAE J1 995	kW (hp)	284 (381)
Max torque at	Nm (lbf ft) / r/min	1,928 (1,422) / 1,350
No. of cylinders		6
Displacement	l (in ³)	12.8 (781)
Bore	mm (in)	131 (5.16)
Stroke	mm (in)	158 (6.22)

EC750EHR

Engine Tier 4f	Volvo	D16J
Max power at	r/s / r/min	30 / 1,800
Net, ISO 9 249/SAE J1 349	kW (hp)	392 (526)
Gross, ISO 14 396/SAE J1 995	kW (hp)	393 (527)
Max torque at	Nm (lbf ft) / r/min	2,570 (1,896) / 1,350
No. of cylinders		6
Displacement	l (in ³)	16.1 (982)
Bore	mm (in)	144 (5.67)
Stroke	mm (in)	165 (6.5)

Electrical system

High-capacity electrical system that is well protected. Waterproof double-lock harness plugs are used to secure corrosion-free connections. The main relays and solenoid valves are shielded to prevent damage. The master switch is standard. Contronics provides advanced monitoring of machine functions and important diagnostic information.

		EC380EHR	EC480EHR	EC750EHR
Voltage	V	24	24	24
Batteries	V	2 x 12	2 x 12	2 x 12
Battery capacity	Ah	200	200	210
Alternator	V / Ah	28 / 80	28 / 80	28 / 80

Swing system

The swing system uses an axial piston motors, driving a planetary gearbox for maximum torque. An automatic holding brake and anti-rebound valve are standard.

		EC380EHR	EC480EHR	EC750EHR
Max. slew speed	r/min	10.2	9.3	7
Max. slew torque	kNm (lbf ft)	130.5 (96,252)	166.3 (122,656)	275.3 (203,051)

Drive

Each track is powered by an automatic two-speed shift travel motor. The track brakes are multi-disc, spring-applied and hydraulic released. The travel motor, brake and planetary gears are well protected within the track frame.

		EC380EHR	EC480EHR	EC750EHR
Max. drawbar pull	kN (lb)	276.5 (62,160)	333 (74,861)	472 (106,110)
Max. travel speed (1st Gear/2nd Gear)	km/h (mi/h)	3.4/5.3 (2.1/3.3)	3.2/5.2 (2.0/3.2)	2.9/4.6 (1.8/2.9)
Gradeability	°	35	35	33

Undercarriage

The undercarriage has a robust X-shaped frame. Greased and sealed track chains are standard.

		EC380EHR	EC480EHR	EC750EHR
Track pads		2 x 50	2 x 52	2 x 52
Link pitch	mm (in)	215.9 (8.5)	215.9 (8.5)	260.4 (10.25)
Shoe width, triple grouser	mm (in)	600 / 700 / 800 / 900 (24 / 28 / 32 / 36)	600 / 700 / 800 / 900 (24 / 28 / 32 / 36)	-
Shoe width, double grouser	mm (in)	600 (24)	600 (24)	650 / 750 (26 / 30)
Bottom rollers		2 x 9	2 x 9	2 x 9
Top rollers		2 x 2(2 x 3*)	2 x 2(2 x 3*)	2 x 3*

* Retractable undercarriage

Service refill capacities

		EC380EHR	EC480EHR	EC750EHR
Fuel tank	l (gal)	620 (163.8)	680 (179.6)	800 (211.3)
AdBlue/DEF tank	l (gal)	62.5 (16.5)	62.5 (16.5)	80 (21.1)
Hydraulic system, total	l (gal)	500 (132.1)	525 (138.7)	655 (173.0)
Hydraulic tank	l (gal)	225 (59.4)	270 (71.3)	350 (92.5)
Engine oil	l (gal)	42 (11.1)	42 (11.1)	52 (13.7)
Engine coolant	l (gal)	60 (15.9)	60 (15.9)	66 (17.4)
Slew reduction unit	l (gal)	6.5 (1.7)	2 x 6 (2 x 1.6)	2 x 6.8 (2 x 1.8)
Travel reduction unit	l (gal)	2 x 6.8 (2 x 1.8)	2 x 7.5 (2 x 2)	2 x 13.5 (2 x 3.6)

Tilting Cab

The standard hydraulically tilting cabin tilts up to 30 degrees to enhance visibility and reduce operator fatigue and neck strain on high-reach jobs. The operator's cab has easy access via a wide door opening. The cab is supported on hydraulic dampening mounts to reduce shock and vibration levels. These along with sound absorbing lining provide low noise levels. The cab has excellent all-round visibility, especially upward, with a wide front glass and top wiper. Integrated air-conditioning and heating system: The pressurized and filtered cab air is supplied by an automatically-controlled fan. The air is distributed throughout the cab from 14 vents. Ergonomic operator's seat: The adjustable seat and joystick console move independently to accommodate the operator. The seat has 12 different adjustments plus a seat belt for the operator's comfort and safety. Refrigerant of the type R134a is used when this machine is equipped with air conditioning. Contains fluorinated greenhouse gas R134a, Global Warming Potential 1.430 t CO₂-eq

Sound Level

		EC380EHR	EC480EHR	EC750EHR
Sound pressure level in cab according to ISO 6 396				
L _{pA}	dB	71	71	72
External sound level according to ISO 6 395 and EU Noise Directive 2 000/14/EC				
L _{WA}	dB	105	106	108

Hydraulic system

The new electro-hydraulic system and new MCV (main control valve) use intelligent technology to control on-demand flow for high-productivity, high-digging capacity and excellent fuel consumption. The following important functions are included in the system: Summation system: Combines the flow of both hydraulic pumps to a single function to ensure quick cycle times and high productivity. Boom priority: Gives priority to the boom operation for faster raising when loading or performing deep excavations. Arm priority: Gives priority to the arm operation for faster cycle times in leveling and for increased bucket filling when digging. Swing priority: Gives priority to swing functions for faster simultaneous operations. Regeneration system: Prevents cavitation and provides flow to other movements during simultaneous operations for maximum productivity. Power boost: All digging and lifting forces are increased. Holding valves: Boom and arm holding valves prevent the digging equipment from creeping

		EC380EHR	EC480EHR	EC750EHR
Main pump, Type 2 x variable displacement axial piston pumps				
Maximum flow	l/min (gal/min)	2 x 300 (2 x 79.3)	2 x 376 (2 x 99.3)	2 x 450 (2 x 119)
Pilot pump, Type Gear pump				
Maximum flow	l/min (gal/min)	32.6 (8.6)	32 (8.5)	34.5 (9.1)

Hydraulic motors

Travel: Variable displacement axial piston motor with mechanical brake
Slew: Fixed displacement axial piston motor with mechanical brake

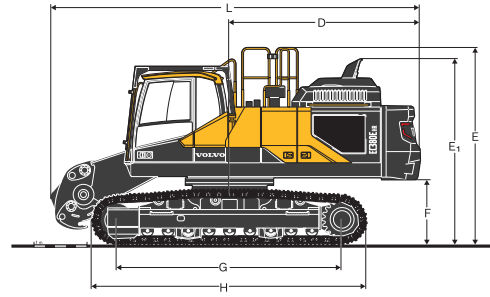
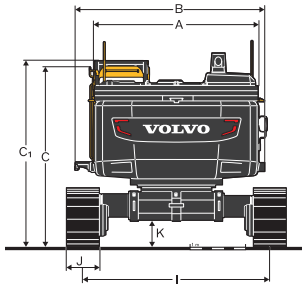
		EC380EHR	EC480EHR	EC750EHR
Relief valve setting				
Implement	Mpa (psi)	32.4/35.3 (4,699/5,120)	32.4/35.3 (4,699/5,120)	33.8/35.8 (4,902/5,192)
Travel circuit	Mpa (psi)	35.3 (5,120)	32.4 (4,699)	33.8 (4,902)
Slew circuit	Mpa (psi)	27.9 (4,047)	25.8 (3,742)	26.5 (3,843)
Pilot circuit	Mpa (psi)	3.9 (566)	3.9 (566)	3.9 (566)

Base boom cylinder

	Qty	Bore	Stroke
		ø mm (in)	mm (in)
EC380EHR Base boom cylinder	2	165 (6.5)	1,530 (60.2)
EC480EHR Base boom cylinder	2	180 (7.1)	1,590 (62.6)
EC750EHR Base boom cylinder	2	230 (9.1)	1,697 (66.8)

Specifications

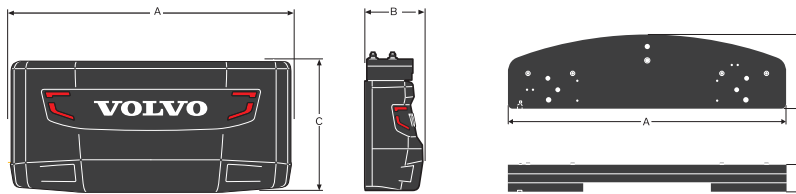
GROUND PRESSURE								
Description	Shoe width		Operating weight		Ground pressure		Overall width	
	mm	in	kg	lb	kPa	psi	mm	ft in
EC380EHR								
23 m (75.5 ft) high reach boom, hydraulically retractable undercarriage, 3,000 kg (6,614 lb) tool weight, 10,000 kg (22,046 lb) counterweight								
Triple grouser	600	24	53,310	117,528	95.1	13.8	3 980	13'1"
	700	28	53,750	118,498	82.2	11.9	4 080	13'5"
	800	32	54,200	119,490	71.7	10.4	4 180	13'9"
	900	36	54,650	120,482	65	9.4	4 280	14'1"
Triple grouser (HD)	600	24	53,760	118,520	95.9	13.9	3 980	13'1"
Double grouser	600	24	53,590	118,146	95.6	13.9	3 980	13'1"
EC480EHR								
28 m (91.9 ft) high reach boom; hydraulically retractable undercarriage, 3,500 kg (7,716 lb) tool weight, 13,000 kg (28,660 lb) counterweight								
Triple grouser	600	24	66,585	146,795	114.4	16.6	3,980	13'1"
	700	28	67,085	147,897	98.8	14.3	4,080	13'5"
	800	32	67,590	149,010	87.1	12.6	4,180	13'9"
	900	36	68,090	150,113	78	11.3	4,280	14'1"
Double grouser	600	24	66,635	146,905	114.5	16.6	3,980	13'1"
EC750EHR								
36 m (118.1 ft) high reach boom; hydraulically retractable undercarriage, 3,600 kg (7,940 lb) tool weight, 15,000 kg (33,069 lb) counterweight								
Double grouser	650	26	103,267	227,664	136.3	19.8	3,795	12'5"
	750	30	104,029	229,344	119	17.3	3,800	12'6"
EC750EHR								
26 m (85.3 ft) high reach boom; hydraulically retractable undercarriage, 5,000 kg (11,023 lb) tool weight, 15,000 kg (33,069 lb) counterweight								
Double grouser	650	26	100,183	220,865	132.3	19.2	3,795	12'5"
	750	30	100,945	222,545	115.5	16.8	3,800	12'6"
EC750EHR								
Digging boom; hydraulically retractable undercarriage, digging boom with extension, 9 100 kg (20,062 lb) tool weight, 15,000 kg (33,069 lb) counterweight								
Double grouser	650	26	107,678	237,389	142.2	20.6	3,795	12'5"
	750	30	108,440	239,069	124.1	18.0	3,800	12'6"
EC750EHR								
Digging boom; hydraulically retractable undercarriage, 4.2 m (13.8 ft) digging arm, 7,260 kg (16,006 lb) tool weight, 11,200 kg (24,692 lb) counterweight, without additional counterweight								
Double grouser	650	26	95,875	211,368	126.6	18.4	3,795	12'5"
	750	30	96,637	213,048	110.6	16.0	3,800	12'6"



DIMENSIONS

Description	Unit		EC380EHR		EC480EHR		EC750EHR	
			Hydraulically retractable lower frame		Hydraulically retractable lower frame		Hydraulically retractable lower frame	
A Width superstructure	mm	ft in	2,990	9'10"	2,990	9'10"	3,420	11'3"
B Overall width with SIPS(both side) & Cab entrance step(Left side)	mm	ft in	3,415	11'2"	3,415	11'2"	3,904	12'10"
Overall width without SIPS(both side) & Cab entrance step(Left side)	mm	ft in	2,990	9'10"	2,990	9'10"	3,736	12'3"
C Overall height	mm	ft in	3,265	10'9"	3,390	11'1"	3,484	11'5"
C1 Overall height (incl. FOG)	mm	ft in	3,360	11'0"	3,500	11'6"	3,562	11'8"
D Tail swing radius	mm	ft in	3,600	11'10"	3,880	12'9"	4,238	13'11"
E Overall height of Handrail	mm	ft in	3,720	12'2"	3,845	12'7"	3,941	12'11"
E Overall height of Diffuser	mm	ft in	3,500	11'6"	3,625	11'11"	3,790	12'5"
F Minimum Counterweight clearance *	mm	ft in	1,220	4'0"	1,360	4'6"	1,480	4'10"
G Tumbler length	mm	ft in	4,240	13'11"	4,370	14'4"	5,280	17'4"
H Track length	mm	ft in	5,210	17'1"	5,370	17'7"	6,518	21'5"
I Track gauge (extended)	mm	ft in	3,380	11'1"	3,380	11'1"	4,300	14'1"
Track gauge (retracted)	mm	ft in	2,390	7'10"	2,390	7'10"	3,050	10'0"
J Shoe width	mm	ft in	700	28"	700	28"	750	30"
K Min. ground clearance *	mm	ft in	480	1'7"	485	1'7"	563	1'10"
L Overall length	mm	ft in	7,065	23'2"	7,535	24'9"	8,728	28'8"

* With shoe grouser

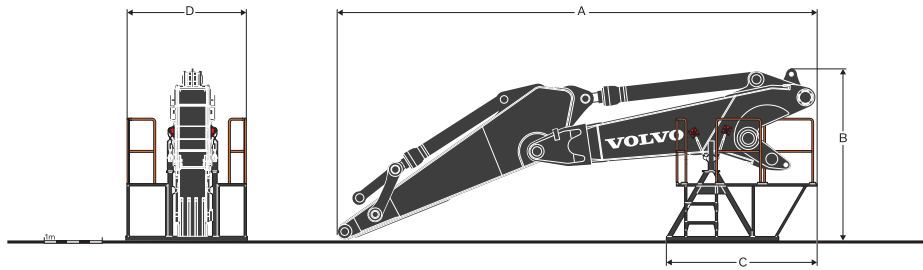


DIMENSIONS OF THE COUNTERWEIGHT

Description	Unit		EC380EHR		EC480EHR				EC750EHR					
			standard (fixed)		additional cwt		standard (hydraulically removable)		additional cwt w/ hyd removable		standard (hydraulically removable)		additional cwt w/ hyd removable	
A Width counterweight	mm	ft in	2,974	9'9"	2,950	9'8"	2,990	9'10"	2,950	9'8"	3,406	11'2"	3,240	10'8"
B Thickness counterweight	mm	ft in	734	2'5"	590	1'11"	920	3'0"	590	1'11"	808	2'8"	658	2'2"
C Height counterweight	mm	ft in	1,395	4'7"	270	0'11"	1,140	3'9"	360	1'2"	1,747	5'9"	360	1'2"
Total weight counterweight	kg	lb	7,250	15,983	2,750	6,063	8,700	19,180	3,500	7,716	11,200	24,692	4,186	9,229

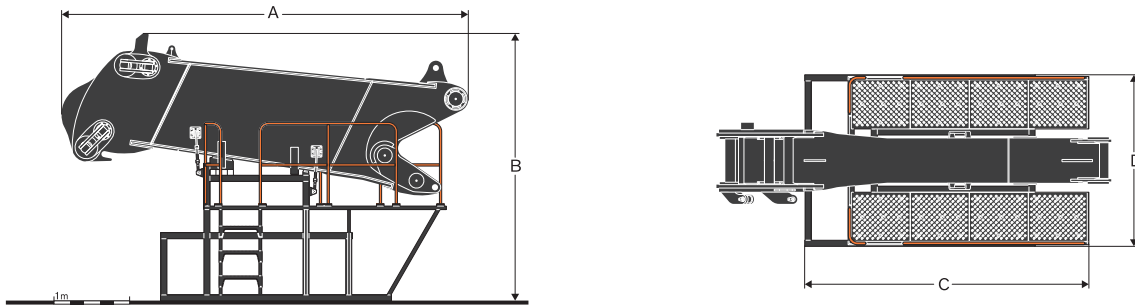
CAUTION: The machine can transported with the digging boom fitted. If it's transported without digging boom but with additional counterweight, take care of stability (tilting back) during the loading / unloading on truck.

Specifications



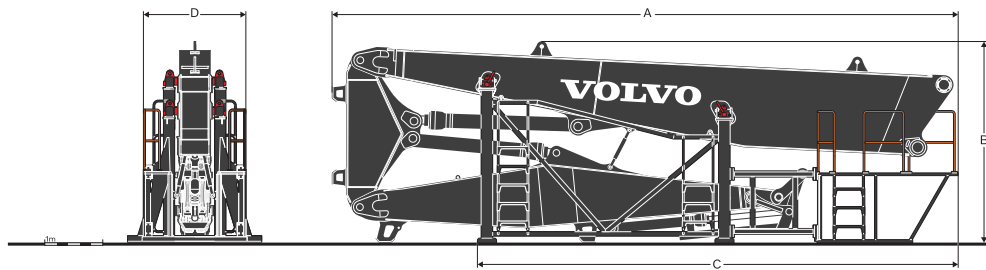
DIMENSIONS OF DIGGING EQUIPMENT

Description	Unit		EC380EHR		EC480EHR		EC750EHR	
			3.9 m (12'10")		3.9 m (12'10")		4.2 m (13'9")	
A Length - mounting to arm end	mm	ft in	7,600	24'11"	8,785	28'10"	8,870	29'1"
B Overall height	mm	ft in	2,340	7'8"	2,480	8'2"	2,904	9'6"
C Length of support cradle	mm	ft in	1,185	3'11"	2,571	8'5"	2,571	8'5"
D Width of support cradle	mm	ft in	1,630	5'4"	2,080	6'10"	2,580	8'6"
Weight of digging boom with transport cradle	kg	lb	5,320	11,729	6,483	14,300	11,150	24,590
Weight without cradle	kg	lb	5,098	11,239	5,955	13,129	10,035	22,123



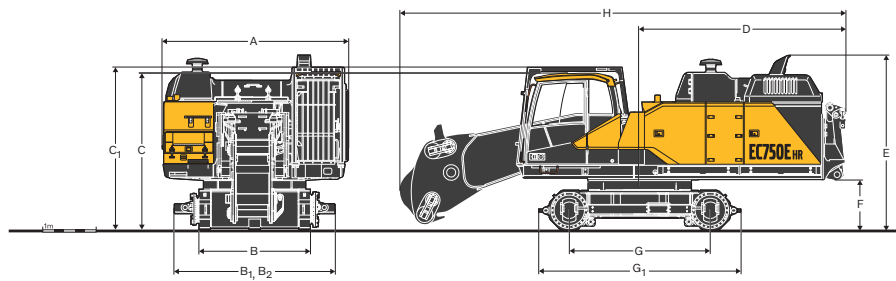
DIMENSIONS OF DIGGING BOOM EXTENSION

Description	Unit		EC380EHR		EC480EHR		EC750EHR	
A Overall length	mm	ft in	3,730	12'3"	4,465	14'8"	5,383	17'8"
B Overall height	mm	ft in	2,645	8'8"	2,500	8'2"	3,584	11'9"
C Length of support cradle	mm	ft in	2,690	8'10"	4,740	15'7"	3,776	12'5"
D Width of support cradle	mm	ft in	2,180	7'2"	2,180	7'2"	2,580	8'6"
Weight, including support cradle	kg	lb	3,869	8,530	3,845	8,477	6,867	15,140
Weight without cradle	kg	lb	3,260	7,187	3,143	6,929	5,777	12,736



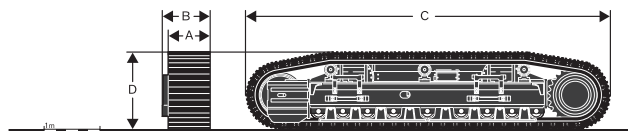
DIMENSIONS OF 3-PIECE DEMOLITION BOOM IN SUPPORT CRADLE

Description	Unit		EC380EHR		EC480EHR		EC750EHR			
							26m (85'4")		36m (118'1")	
A Overall length	mm	ft in	10,075	33'1"	13,380	43'11"	11,082	36'4"	17,306	56'9"
B Overall height	mm	ft in	3,012	9'11"	3,050	10'0"	3,569	11'9"	3,597	11'10"
C Length of support cradle	mm	ft in	2,565	8'5"	2,585	8'6"	8,510	27'11"	13,838	45'5"
D Width of support cradle	mm	ft in	2,080	6'10"	2,040	6'8"	2,416	7'11"	2,416	7'11"
Weight of working equipment without attachment, including support cradle	kg	lb	7,510	16,557	9,755	21,506	14,240	31,394	19,500	42,990
Weight without cradle	kg	lb	7,288	16,067	9,227	20,342	12,417	27,375	16,901	37,260



DIMENSION OF BASE MACHINE, TRANSPORTATION MODE

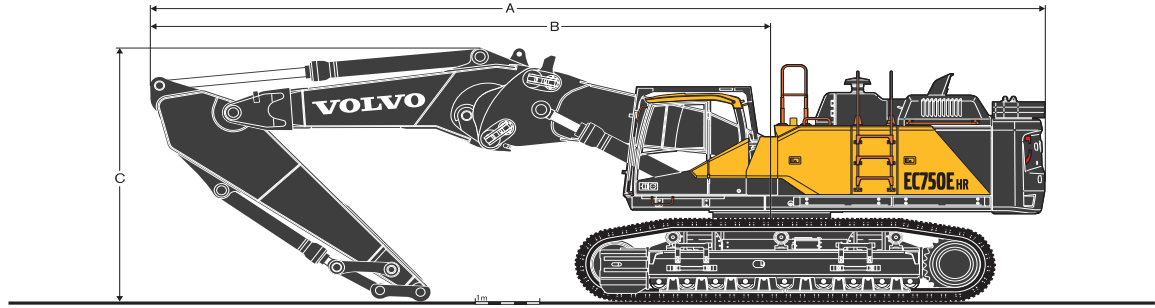
Description	Unit		EC750EHR	
			Hydraulically retractable lower frame	
A. Overall width with Handrail on FOG	mm	ft in	3,498	11'6"
B. Width lower frame center	mm	ft in	2,095	6'10"
B1. Overall width lower frame center with tubes retracted	mm	ft in	3,048	10'0"
B2. Overall width lower frame center with tubes extended	mm	ft in	4,302	14'1"
C. Overall height	mm	ft in	2,971	9'9"
C1. Overall height (incl. FOG)	mm	ft in	3,050	10'0"
D. Swing radius center to CWT linkage	mm	ft in	3,867	12'8"
E. Overall height of Diffuser	mm	ft in	3,277	10'9"
F. Minimum upper frame clearance	mm	ft in	921	3'0"
G. Length lower frame center	mm	ft in	2,859	9'5"
G. Overall length lower frame center	mm	ft in	3,781	12'5"
H. Overall length	mm	ft in	8,353	27'5"
Base machine weight	kg	lb	41,050	90,500



DIMENSION OF BASE MACHINE, TRACK FRAME

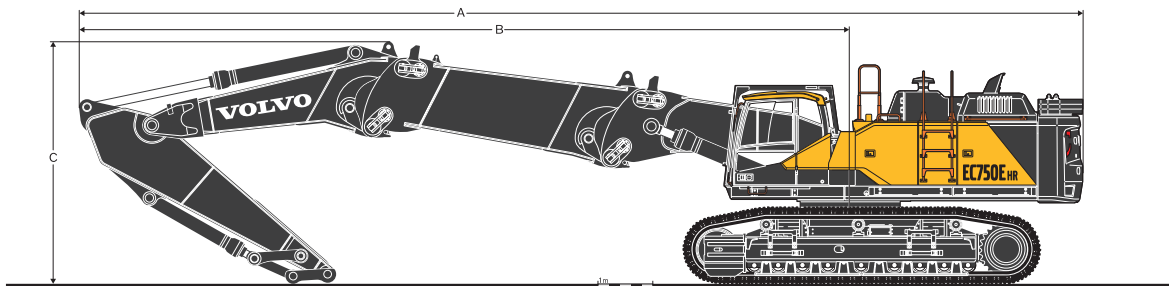
Description	Unit		EC750EHR	
			Hydraulically retractable lower frame	
A. Width track	mm	ft in	750	30"
B. Overall width track and frame	mm	ft in	855	2'10"
C. Length	mm	ft in	6,518	21'5"
D. Height	mm	ft in	1,406	4'7"
Total weight each track frame	kg	lb	12,851	28,332

Specifications



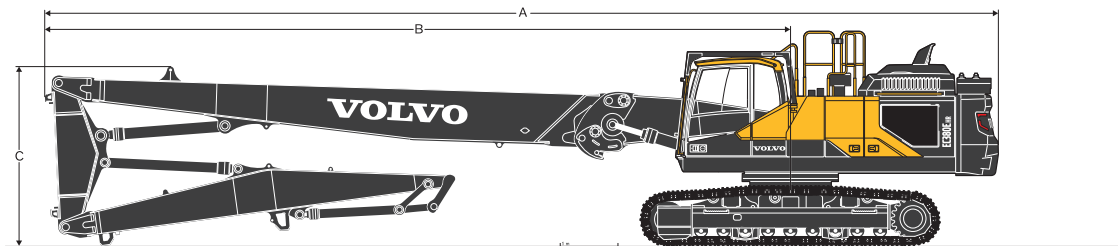
DIMENSIONS WITH DIGGING EQUIPMENT (POSITION FOR TRANSPORT)

Boom	Unit	EC380EHR		EC480EHR		EC750EHR	
		Straight boom		Straight boom		Straight boom	
Arm		3.9 m (12'10")		3.9 m (12'10")		4.2 m (13'9")	
A Overall length	mm ft in	11,420	37'6"	12,720	41'9"	13,899	45'7"
B Swing centre to front of equipment	mm ft in	7,820	25'8"	8,835	29'0"	9,660	31'8"
C Maximum height of boom in transport position	mm ft in	3,960	13'0"	3,670	12'0"	4,243	13'11"
Operating weight, excluding bucket	kg lb	45,665	100,674	56,420	124,385	89,377	197,042



DIMENSIONS WITH DIGGING BOOM EXTENSION

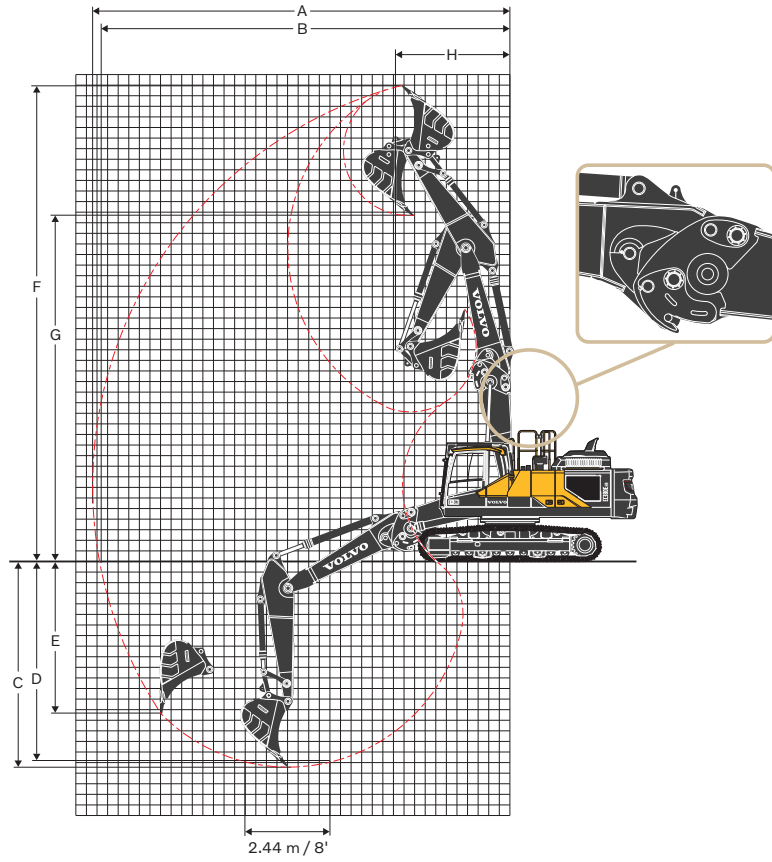
Boom	Unit	EC380EHR		EC480EHR		EC750EHR	
		Straight & Straight Boom		Straight Boom		Straight Boom	
Arm		3.9 m (12'10")		3.9 m (12'10")		4.2 m (13'9")	
A Overall length	mm ft in	14,520	47'8"	16,070	52'9"	183,11	60'1"
B Swing centre to front of equipment	mm ft in	10,920	35'10"	12,190	40'0"	14,072	46'2"
C Maximum height of boom in transport position	mm ft in	3,720	12'2"	3,840	12'7"	4,418	14'6"
Operating weight, excluding tool, cradle	kg lb	48,640	107,233	59,945	132,156	99,340	219,007



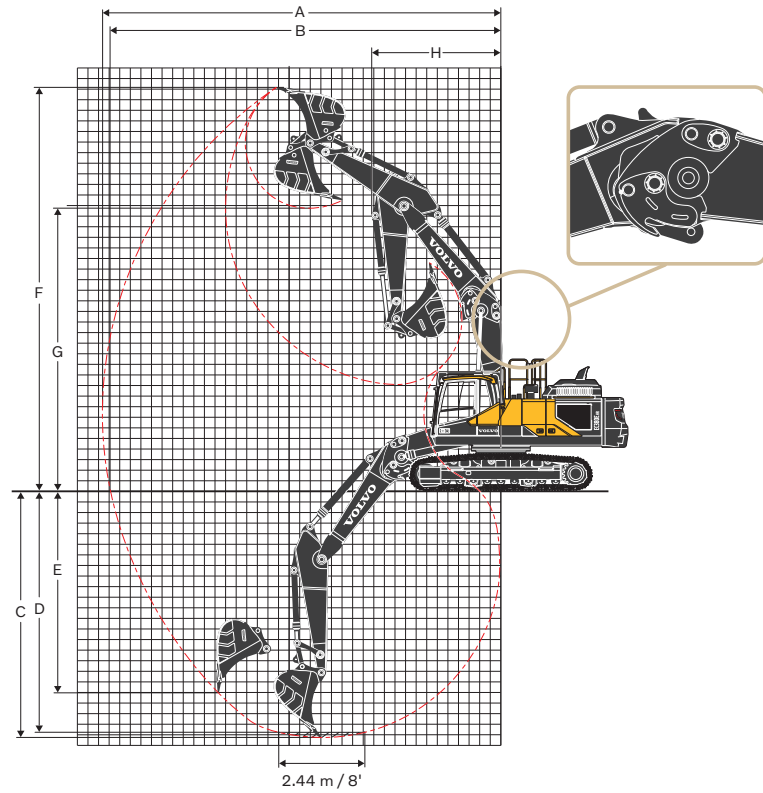
DIMENSIONS WITH 3-PIECE DEMOLITION ATTACHMENT

	Unit	EC380EHR	EC480EHR	EC750EHR					
				26m (85'4")	36m (118'1")				
A Overall length	mm ft in	16,515	54'2"	20,045	65'9"	18,939	62'2"	25,156	82'6"
B Swing centre to front of equipment	mm ft in	12,915	42'4"	16,165	53'0"	14,701	48'3"	20,918	68'8"
C Maximum height of boom in transport position	mm ft in	3,110	10'2"	3,095	10'2"	3,621	11'11"	3,489	11'5"
Operating weight, excluding crusher	kg lb	50,310	110,914	63,085	139,078	95,945	211,522	100,429	221,408

**STRAIGHT BOOM WITHOUT
BOOM EXTENSION**



**BENT BOOM WITHOUT
BOOM EXTENSION**



Specifications

WORKING RANGES WITH STRAIGHT BOOM WITHOUT BOOM EXTENSION

			EC380EHR		EC480EHR		EC750EHR	
Boom			Straight boom		Straight boom		Straight boom	
Arm			3.9 m (12'10")		3.9 m (12'10")		4.2 m (13'9")	
Bucket tip radius	mm	ft in	1,846	6'1"	1,960	6'5"	2,190	7'2"
A Maximum digging reach	mm	ft in	12,500	41'0"	13,330	43'9"	14,567	47'10"
B Maximum digging reach on ground	mm	ft in	12,310	40'5"	13,115	43'0"	14,339	47'1"
C Maximum digging depth	mm	ft in	6,500	21'4"	7,020	23'0"	6,861	22'6"
D Maximum digging depth (2.4 m level)	mm	ft in	6,370	20'11"	6,890	22'7"	6,744	22'2"
E Maximum vertical wall digging depth	mm	ft in	4,815	15'10"	5,520	18'1"	4,684	15'4"
F Maximum cutting height	mm	ft in	14,090	46'3"	14,275	46'10"	15,810	51'10"
G Maximum dumping height	mm	ft in	10,410	34'2"	10,410	34'2"	11,465	37'7"
H Minimum front swing radius	mm	ft in	3,580	11'9"	3,940	12'11"	4,906	16'1"

DIGGING FORCES WITH STRAIGHT BOOM WITHOUT BOOM EXTENSION

			EC380EHR		EC480EHR		EC750EHR	
Boom			Straight boom		Straight boom		Straight boom	
Arm			3.9 m (12'10")		3.9 m (12'10")		4.2 m (13'9")	
Bucket tip radius	mm	ft in	1,846	6'1"	1,960	6'5"	2,190	7'2"
Breakout force-bucket (Normal/Power boost) ISO	kN	lbf	201/219	45,187/ 49,233	243/265	54,629/ 59,574	304/317	68,342/ 71,264
Tearout force-arm (Normal / Power boost) ISO	kN	lbf	142/155	31,923/ 34,845	177/193	39,791/ 43,388	255/266	57,326/ 59,799
Rotation angle, bucket			°		178	183	173.4	

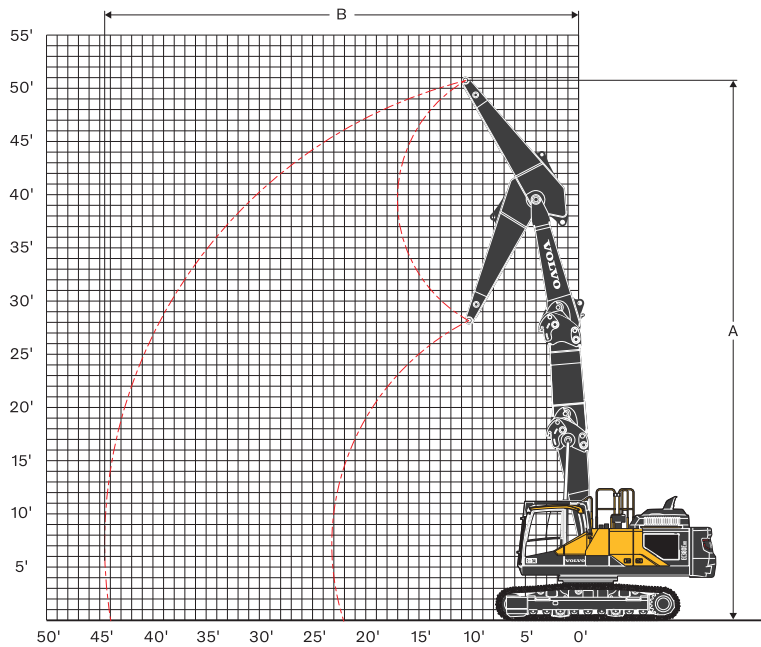
WORKING RANGES WITH BENT BOOM WITHOUT BOOM EXTENSION

			EC380EHR		EC480EHR		EC750EHR	
Boom			Bent boom		Bent boom		Bent boom	
Arm			3.9 m (12'10")		3.9 m (12'10")		4.2 m (13'9")	
Bucket tip radius	mm	ft in	1,846	6'1"	1,960	6'5"	2,190	7'2"
A Maximum digging reach	mm	ft in	11,935	39'2"	12,585	41'3"	13,697	44'11"
B Maximum digging reach on ground	mm	ft in	11,735	38'6"	12,355	40'6"	13,452	44'2"
C Maximum digging depth	mm	ft in	7,710	25'4"	8,280	27'2"	8,324	27'4"
D Maximum digging depth (2.4 m level)	mm	ft in	7,575	24'10"	8,150	26'9"	8,207	26'11"
E Maximum vertical wall digging depth	mm	ft in	6,340	20'10"	5,865	19'3"	7,257	23'10"
F Maximum cutting height	mm	ft in	11,790	38'8"	11,135	36'6"	12,520	41'1"
G Maximum dumping height	mm	ft in	8,375	27'6"	7,655	25'1"	8,558	28'1"
H Minimum front swing radius	mm	ft in	3,710	12'2"	4,935	16'2"	5,354	17'7"

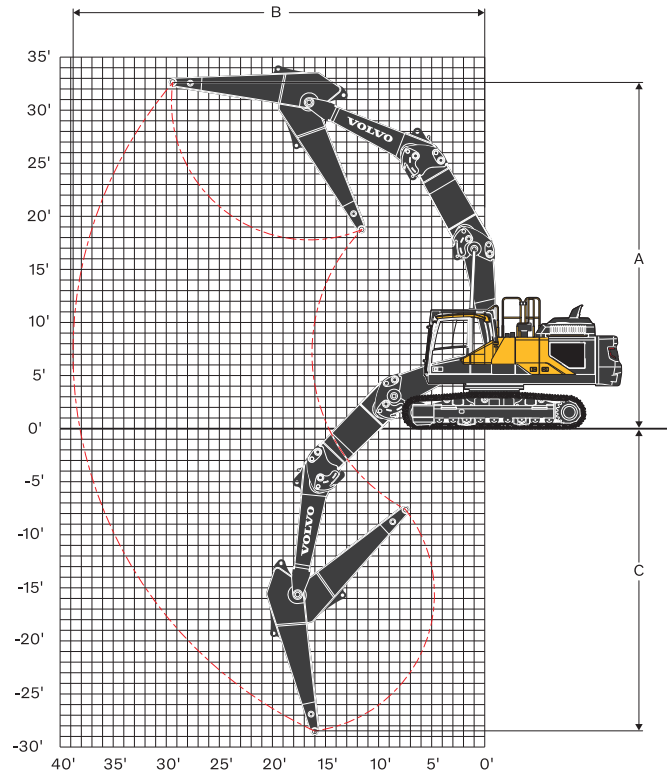
DIGGING FORCES WITH BENT BOOM WITHOUT BOOM EXTENSION

			EC380EHR		EC480EHR		EC750EHR	
Boom			Bent boom		Bent boom		Bent boom	
Arm			3.9 m (12'10")		3.9 m (12'10")		4.2 m (13'9")	
Bucket tip radius	mm	ft in	1,846	6'1"	1,960	6'5"	2,190	7'2"
Breakout force-bucket (Normal/Power boost) ISO	kN	lbf	201/219	45,187/ 49,233	243/265	54,629/ 59,574	304/317	68,342/ 71,264
Tearout force-arm (Normal / Power boost) ISO	kN	lbf	142/155	31,923/ 34,845	177/193	39,791/ 43,388	255/266	57,326/ 59,799
Rotation angle, bucket			°		178	183	173.4	

**STRAIGHT EXTENSION
& STRAIGHT BOOM**



**BENT EXTENSION
& BENT BOOM**



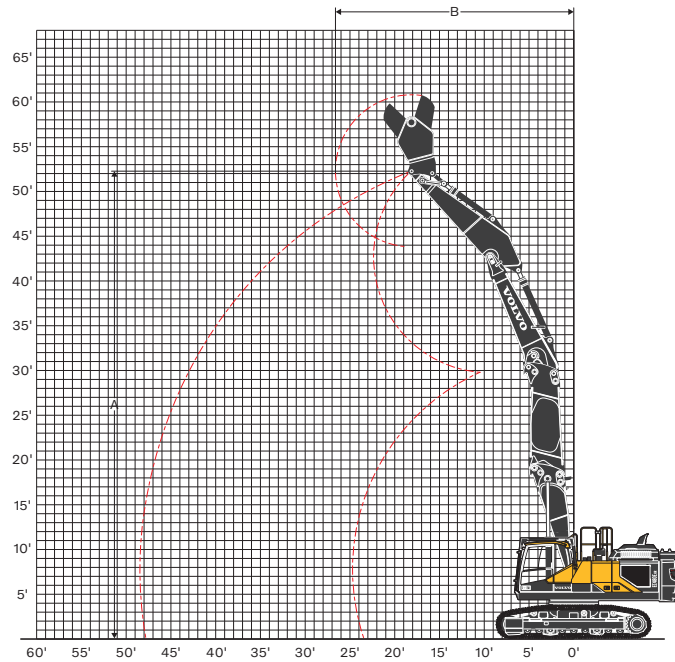
WORKING RANGES AND MAX. TOOL WEIGHT (machines with digging boom extension)

EC380EHR

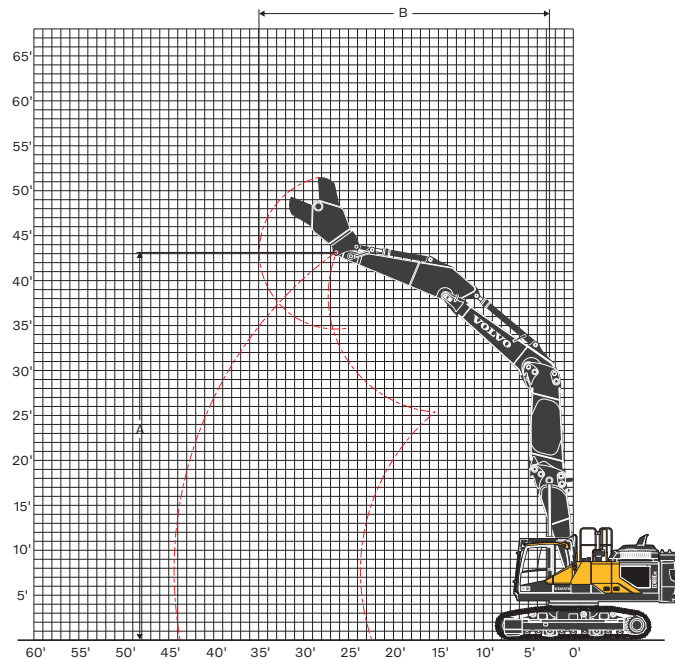
Boom		Straight Extension & Straight Boom 9.8 m (32'2")		Bent Extension & Bent boom 8.7 m (28'7")	
		3.9 m (12'10") arm		3.9 m (12'10") arm	
Arm		Hydraulically retractable lower frame			
Description	Unit				
A Maximum pin height	mm ft in	15 245	50'0"	9 810	32'2"
B Maximum pin reach	mm ft in	13 620	44'8"	11 885	38'12"
Maximum tool weight	t lb	4.3	9,480	5.6	12,346
C Maximum pin depth	mm ft in	N/A		8 518	27'11"

Specifications

STRAIGHT EXTENSION & STRAIGHT BOOM



STRAIGHT EXTENSION & BENT BOOM

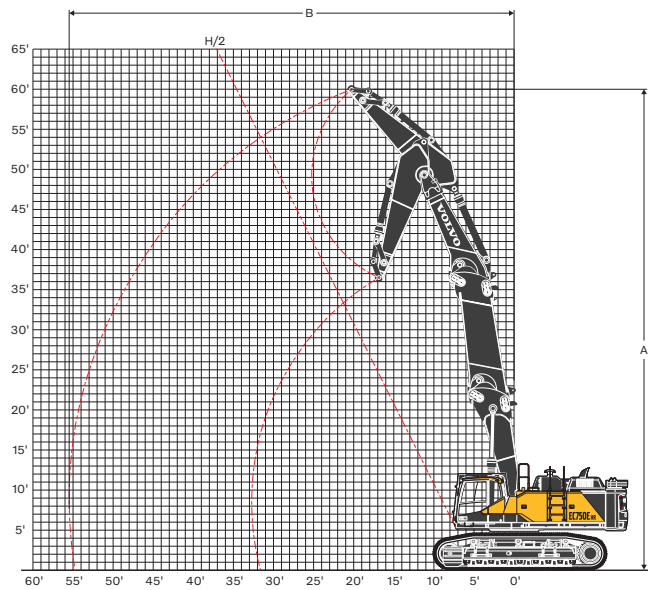


WORKING RANGES AND MAX. TOOL WEIGHT (machines with digging boom extension)

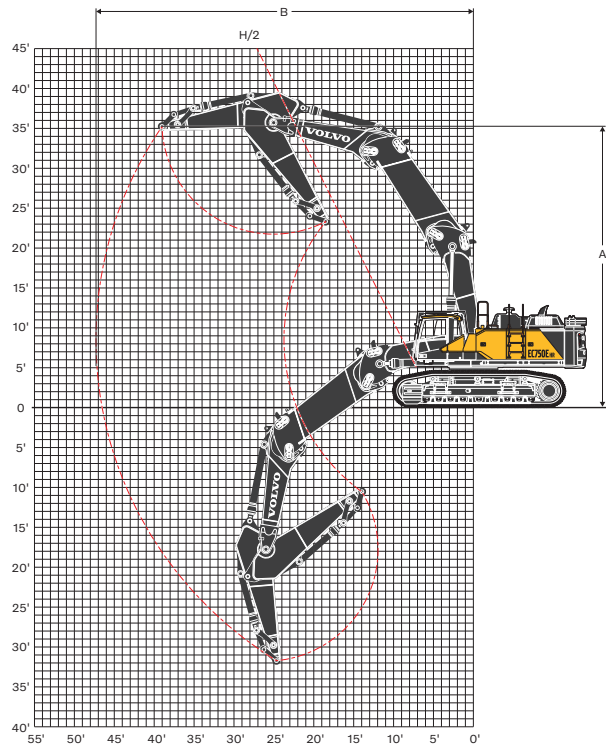
EC480EHR

Boom				Straight Extension & Straight Boom		Straight Extension & Bent Boom	
Arm				3.9 m (12'10") arm		3.9 m (12'10") arm	
Description		Unit		Hydraulically retractable lower frame			
A	Maximum pin height	mm	ft in	15 775	51'9"	13 025	42'9"
B	Maximum pin reach	mm	ft in	14 560	47'9"	13 330	43'9"
Maximum tool weight		t	lb	4.7	10,362	5.7	12,566
C	Maximum pin depth	mm	ft in	N/A		7 052	23'2"

STRAIGHT EXTENSION & STRAIGHT BOOM



BENT EXTENSION & BENT BOOM



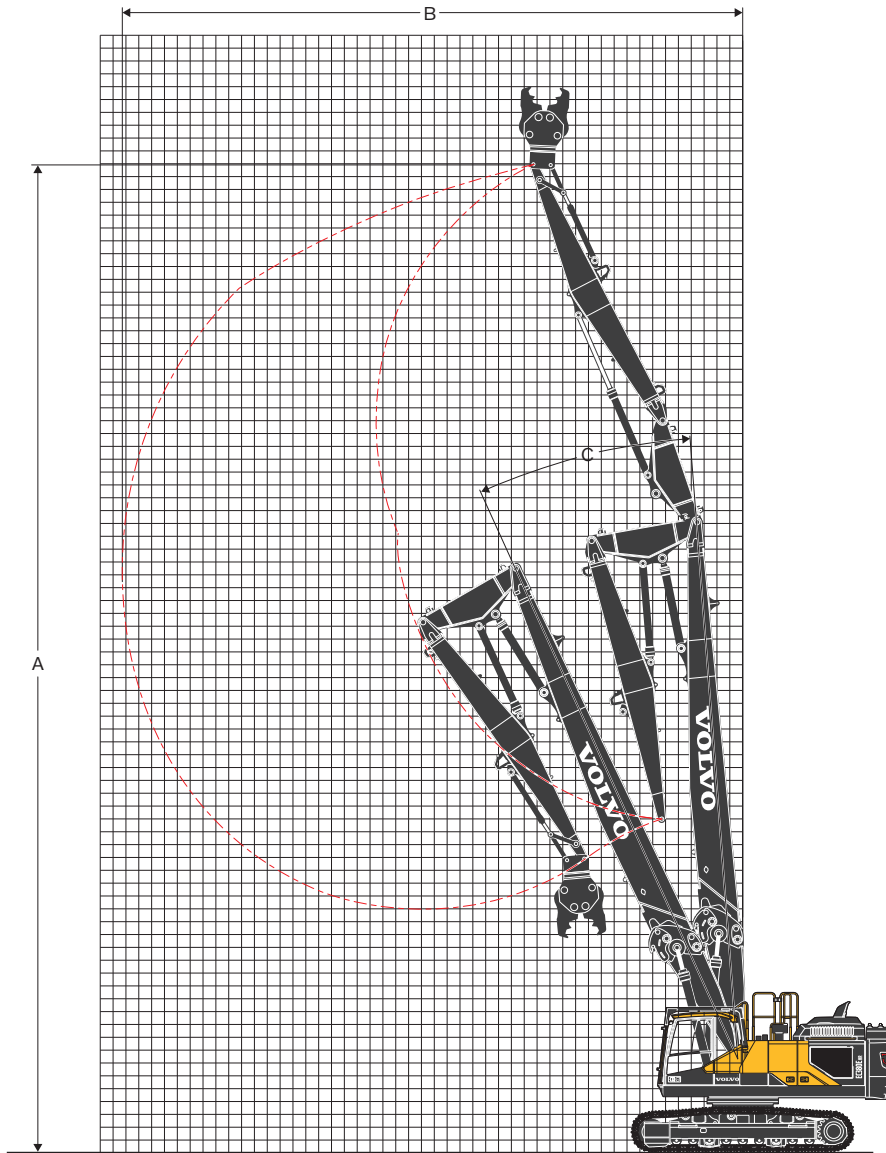
WORKING RANGES AND MAX. TOOL WEIGHT (machines with digging boom extension)

EC750EHR

Boom		Straight Extension & Straight Boom		Bent Extension & Bent boom	
Arm		4.2 m (13'9") arm		4.2 m (13'9") arm	
Description	Unit	Hydraulically retractable lower frame			
A Maximum pin height	mm ft in	17,990	59'0"	10,570	34'8"
B Maximum pin reach	mm ft in	16,638	54'7"	14,198	46'7"
Maximum tool weight	t lb	6.5	14,330	9.5	20,944
C Maximum pin depth	mm ft in	N/A		9,509	31'2"

Specifications

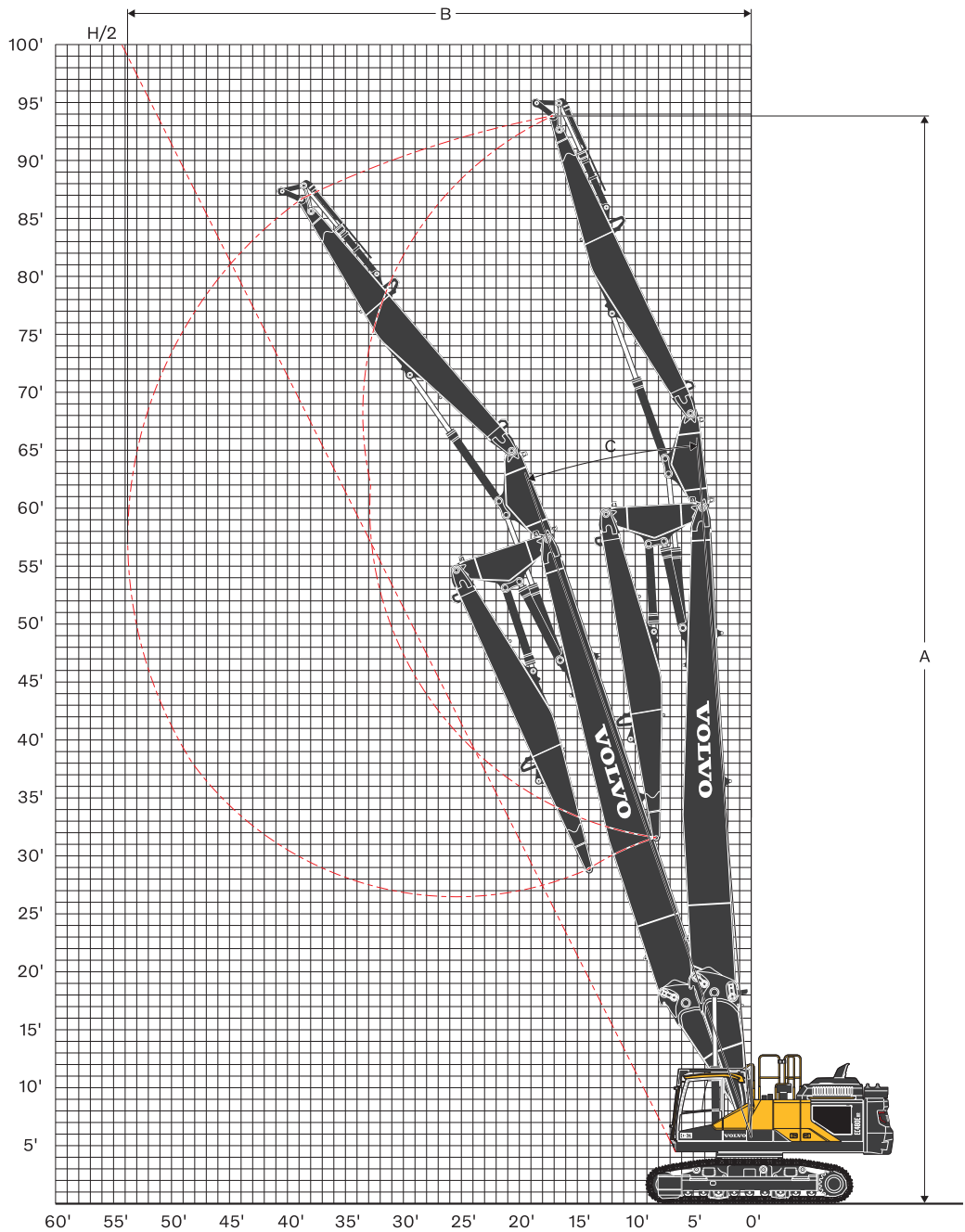
THREE-PIECE DEMOLITION BOOM



WORKING RANGES AND MAX. TOOL WEIGHT (machines with 3-piece demolition boom)

Description	Unit		EC380EHR	
			Hydraulically retractable lower frame	
A Maximum pin height	mm	ft in	23,060	75'8"
Pin height H/2			20,389	66'11"
B Maximum pin reach	mm	ft in	14,490	47'6"
Pin reach H/2			11,390	37'4"
Maximum tool weight	t	lb	3	6,614
C Operating angle		°	24.4	

**THREE-PIECE
DEMOLITION BOOM**

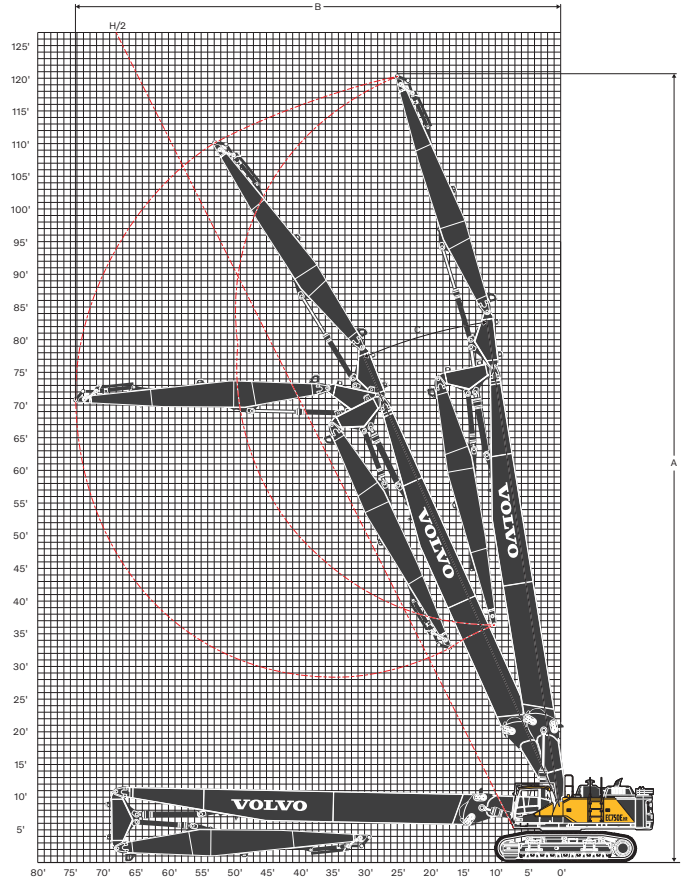
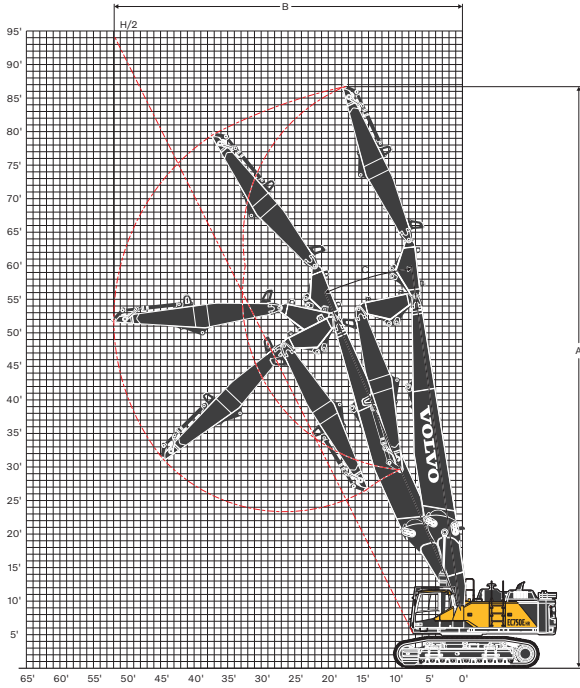


WORKING RANGES AND MAX. TOOL WEIGHT (machines with 3-piece demolition boom)

Description	Unit		EC480EHR	
			Hydraulically retractable lower frame	
A Maximum pin height	mm	ft in	28,140	92'4"
Pin height H/2			24,298	79'9"
B Maximum pin reach	mm	ft in	16,090	52'9"
Pin reach H/2			13,419	44'0"
Maximum tool weight	t	lb	3.5	7,716
C Operating angle		°		18.8

Specifications

THREE-PIECE DEMOLITION BOOM



WORKING RANGES AND MAX. TOOL WEIGHT (machines with 3-piece demolition boom)

Description	Unit		EC750EHR				
			26m (85'4")		36m (118'1")		
			Hydraulically retractable lower frame		Hydraulically retractable lower frame		
A	Maximum pin height	mm	ft in	26,000	85'4"	36,000	118'1"
	Pin height H/2			22,600	74'2"	31,922 / 31,271*	104'9" / 102'7"
B	Maximum pin reach	mm	ft in	15,589	51'2"	22,273 / 20,626*	73'1" / 67'8"
	Pin reach H/2			12,672	41'7"	17,348 / 17,023*	56'11" / 55'10"
	Maximum tool weight	t	lb	5	11,023	3.6	7,937
C	Operating angle			°		24	
						24 / 19*	
*Across							

Specifications

LIFTING CAPACITY EC380EHR with hydraulically retractable lower frame

At the arm end without bucket. For lifting capacity including bucket, simply subtract actual weight of the direct fit bucket or the bucket with quick fit from the following values.

Without Boom extension	Lifting hook related to ground level	1.5 m, 5 ft		3.0 m, 10 ft		4.5 m, 15 ft		6.0 m, 20 ft		7.5 m, 25 ft		9.0 m, 30 ft		10.5 m, 35 ft		Max. reach			
		Along UC	Across UC	Along UC	Across UC	Along UC	Across UC	Along UC	Across UC	Along UC	Across UC	Along UC	Across UC	Along UC	Across UC	Along UC	Across UC	Max.	
	30 ft lb																*13740	*13740	@23.832ft
	25 ft lb									*19210	*19210						*12680	*12680	@27.826ft
Bent Boom Arm	20 ft lb									*22280	*22280	*14400	*14400				*12280	*12280	@30.49ft
3.9 m (12'10")	15 ft lb					*33000	*33000	*27230	*27230	*23930	*23930	*19880	19550				*12300	*12300	@32.158ft
Shoe	10 ft lb					*41410	*41410	*31320	*31320	*26060	25310	*22900	19090				*12680	*12680	@32.985ft
700 mm (28")	5 ft lb					*48130	*48130	*34970	33980	*28060	24390	23200	18610				*13460	*13460	@33.034ft
CWT	0 ft lb			*20480	*20480	*50930	*50930	*37140	32760	*29310	23670	22800	18220				*14750	*14750	@32.31ft
& no Add. CWT	-5 ft lb	*20700	*20700	*31590	*31590	*50140	*50140	*37290	32120	*29250	23260	22630	18060				*16880	*16880	@30.756ft
	-10 ft lb	*32860	*32860	*46250	*46250	*46240	*46240	*35040	32030	*27140	23230						*20640	19750	@28.234ft
	-15 ft lb			*51540	*51540	*38640	*38640	*29340	*29340								*21540	*21540	@24.441ft
	40 ft lb																*25320	*25320	@11.499ft
	35 ft lb							*20100	*20100								*16870	*16870	@21.046ft
	30 ft lb							*21380	*21380	*18880	*18880						*14270	*14270	@26.466ft
Straight Boom Arm	25 ft lb							*20580	*20580	*21220	*21220	*13710	*13710				*13050	*13050	@30.108ft
3.9 m (12'10")	20 ft lb					*19280	*19280	*21920	*21920	*22770	*22770	*20260	19420				*12460	*12460	@32.583ft
Shoe	15 ft lb					*33430	*33430	*29000	*29000	*26770	25460	*23410	19090				*12260	*12260	@34.148ft
700 mm (28")	10 ft lb					*48460	*48460	*35800	34440	*28790	24550	23220	18620				*12370	*12370	@34.928ft
CWT	5 ft lb					*39560	*39560	*37440	32880	*29510	23700	22750	18180				*12820	*12820	@34.974ft
& no Add. CWT	0 ft lb					*36030	*36030	*37000	31910	*29050	23110	22420	17860				*13630	*13630	@34.291ft
	-5 ft lb			*20520	*20520	*43690	*43690	*34160	31540	*26890	22840	*20770	17770				*14980	*14980	@32.832ft
	-10 ft lb					*35430	*35430	*28690	*28690	*22370	*22370	*14910	*14910				*13640	*13640	@30.485ft
	-15 ft lb							*19810	*19810										@27.015ft

Notes: 1. The above loads are in compliance with SAE and ISO Hydraulic Excavator Lift Capacity Standards. 2. They do not exceed 87% of hydraulic lifting capacity or 75% of tipping load. 3. Rated loads marked with an asterisk (*) are limited by hydraulic capacity rather than tipping load.

Specifications

LIFTING CAPACITY EC380EHR with hydraulically retractable lower frame

At the arm end without bucket. For lifting capacity including bucket, simply subtract actual weight of the direct fit bucket or the bucket with quick fit from the following values.

With Boom extension	Lifting hook related to ground level	4.5 m, 15 ft		6.0 m, 20 ft		7.5 m, 25 ft		9.0 m, 30 ft		10.5 m, 35 ft		12.1 m, 40 ft		Max. reach			
		Along UC	Across UC	Along UC	Across UC	Along UC	Across UC	Along UC	Across UC	Along UC	Across UC	Along UC	Across UC	Along UC	Across UC	Max.	
Straight Extension & Straight Boom Arm 3.9 m (12'10") Shoe 700 mm (28") CWT & no Add. CWT	45.0 ft lb			*22400	*22400									*17550	*17550	@23.429ft	
	40.0 ft lb			*21290	*21290	*21000	*21000	*15380	*15380					*14900	*14900	@30.123ft	
	35.0 ft lb			*20000	*20000	*20880	*20880	*18160	*18160					*13570	*13570	@34.847ft	
	30.0 ft lb	*18410	*18410	*20660	*20660	*21280	*21280	*18260	*18260	*16050	*16050			*12820	*12820	@38.344ft	
	25.0 ft lb			*27180	*27180	*22030	*22030	*18610	*18610	*16140	*16140	*14180	12550	*12420	11920	@40.933ft	
	20.0 ft lb			*29040	*29040	*22950	*22950	*19060	*19060	*16310	15610	*14160	12350	*12260	10800	@42.781ft	
	15.0 ft lb					*23700	*23700	*19430	18880	*16430	14930	*14100	11990	*12290	10080	@43.982ft	
	10.0 ft lb					*23860	22780	*19510	17810	*16370	14260	*13900	11610	*11610	9680	@44.588ft	
	5.0 ft lb					*23130	21620	*19120	16970	*16010	13700	*13450	11280	*10880	9550	@44.624ft	
	0.0 ft lb					*21540	21070	*18150	16450	*15220	13330	*12610	11050	*10050	9670	@44.092ft	
	-5.0 ft lb					*19210	*19210	*16540	16240	*13880	13160	*11210	11000	*9020	*9020	@42.97ft	
	-10.0 ft lb			*16560	*16560	*16210	*16210	*14220	*14220	*11830	*11830	*8850	*8850	*7670	*7670	@41.21ft	
	-15 ft lb					*12410	*12410	*11020	*11020	*8750	*8750			*5780	*5780	@38.724ft	
	Straight Extension & Bent Boom Arm 3.9 m (12'10") Shoe 700 mm (28") CWT & no Add. CWT	40.0 ft lb					*15110	*15110							*13870	*13870	@25.581ft
		35.0 ft lb					*19150	*19150	*15240	*15240					*12820	*12820	@31.014ft
30.0 ft lb						*19470	*19470	*17150	*17150					*12370	*12370	@34.902ft	
25.0 ft lb				*24490	*24490	*20310	*20310	*17530	*17530	*15570	*15570			*12250	*12250	@37.731ft	
20.0 ft lb		*36580	*36580	*26760	*26760	*21490	*21490	*18150	*18150	*15830	*15830			*12400	*12400	@39.729ft	
15.0 ft lb				*29130	*29130	*22730	*22730	*18820	*18820	*16150	15670	*14130	12440	*12780	11860	@41.02ft	
10.0 ft lb				*30500	*30500	*23640	*23640	*19340	18800	*16390	14940	*14140	12040	*13410	11210	@41.67ft	
5.0 ft lb				*23150	*23150	*23890	22750	*19530	17800	*16410	14290	*13960	11660	*13140	10900	@41.708ft	
0.0 ft lb				*26500	*26500	*23340	21840	*19230	17080	*16090	13800	*13450	11370	*12820	10910	@41.138ft	
-5.0 ft lb				*25980	*25980	*22010	21430	*18330	16680	*15270	13500			*12400	11270	@39.933ft	
-10.0 ft lb		*23410	*23410	*23010	*23010	*19910	*19910	*16720	16570	*13740	13450			*11770	*11770	@38.031ft	
-15.0 ft lb	*19380	*19380	*19160	*19160	*16900	*16900	*14170	*14170	*11000	*11000			*10740	*10740	@35.319ft		
-20.0 ft lb			*14050	*14050	*12600	*12600	*10040	*10040					*8900	*8900	@31.587ft		

Notes: 1. The above loads are in compliance with SAE and ISO Hydraulic Excavator Lift Capacity Standards. 2. They do not exceed 87% of hydraulic lifting capacity or 75% of tipping load. 3. Rated loads marked with an asterisk (*) are limited by hydraulic capacity rather than tipping load.

LIFTING CAPACITY EC380EHR with hydraulically retractable lower frame

At the arm end without bucket. For lifting capacity including bucket, simply subtract actual weight of the direct fit bucket or the bucket with quick fit from the following values.

With Boom extension	Lifting hook related to ground level	4.5 m, 15 ft		6.0 m, 20 ft		7.5 m, 25 ft		9.0 m, 30 ft		10.5 m, 35 ft		12.1 m, 40 ft		Max. reach			
		Along UC	Across UC	Along UC	Across UC	Along UC	Across UC	Along UC	Across UC	Along UC	Across UC	Along UC	Across UC	Along UC	Across UC	Max.	
		40.0 ft	lb													*14440	*14440
35.0 ft	lb							*14620	*14620						*13200	*13200	@32.527ft
30.0 ft	lb							*14640	*14640	*13700	*13700				*12570	*12570	@36.252ft
25.0 ft	lb							*17230	*17230	*15180	*15180	*13810	*13810		*12290	*12290	@38.981ft
Bent Extension & Straight Boom Arm	20.0 ft	lb			*23230	*23230	*18750	*18750	*16040	*16040	*14250	*14250	*13070	12890	*12270	*12270	@40.918ft
3.9 m (12'10")	15.0 ft	lb			*26500	*26500	*20480	*20480	*17050	*17050	*14820	*14820	*13300	12560	*12460	11360	@42.172ft
Shoe	10.0 ft	lb					*22060	*22060	*18020	*18020	*15400	15040	*13580	12160	*12770	10800	@42.804ft
700 mm (28")	5.0 ft	lb					*23090	22850	*18750	17900	*15860	14400	*13780	11770	*12770	10540	@42.842ft
CWT	0.0 ft	lb			*19540	*19540	*23410	21990	*19100	17210	*16070	13910	*13780	11480	*12790	10580	@42.287ft
& no Add. CWT	-5.0 ft	lb			*27730	*27730	*23040	21600	*18960	16820	*15900	13630	*13380	11350	*12780	10940	@41.116ft
	-10.0 ft	lb	*22250	*22250	*26520	*26520	*21980	21580	*18240	16720	*15210	13570			*12690	11710	@39.272ft
	-15.0 ft	lb	*27630	*27630	*24000	*24000	*20160	*20160	*16760	*16760	*13620				*12400	*12400	@36.653ft
	-20.0 ft	lb	*23170	*23170	*20400	*20400	*17260	*17260	*14060	*14060					*11690	*11690	@33.073ft
	-25.0 ft	lb			*15040	*15040	*12420	*12420							*9970	*9970	@28.163ft

Bent Extension & Bent Boom Arm	Lifting hook related to ground level	3.0 m, 10 ft		4.5 m, 15 ft		6.0 m, 20 ft		7.5 m, 25 ft		9.0 m, 30 ft		10.5 m, 35 ft		Max. reach								
		Along UC	Across UC	Along UC	Across UC	Along UC	Across UC	Along UC	Across UC	Along UC	Across UC	Along UC	Across UC	Along UC	Across UC	Max.						
		30.0 ft	lb											*12910	*12910			*12310	*12310	@31.545ft		
25.0 ft	lb											*13280	*13280			*12280	*12280	@34.652ft				
20.0 ft	lb									*15900	*15900	*14170	*14170	*13160	*13160	*12560	*12560	@36.82ft				
15.0 ft	lb									*30830	*30830	*22510	*22510	*17930	*17930	*15360	*15360	*13820	*13820	*13130	*13130	@38.21ft
10.0 ft	lb									*26200	*26200	*20040	*20040	*16670	*16670	*14610	*14610	*13590	13250	@38.907ft		
Shoe	5.0 ft	lb								*28860	*28860	*21870	*21870	*17880	*17880	*15400	15140	*14070	12780	@38.949ft		
700 mm (28")	0.0 ft	lb								*30160	*30160	*23140	*23140	*18830	18130	*16020	14560	*14660	12700	@38.337ft		
CWT	-5.0 ft	lb								*26740	*26740	*30410	*30410	*23750	22520	*19370	17540	*16350	14160	*15360	13060	@37.04ft
& no Add. CWT	-10.0 ft	lb	*27670	*27670	*37450	*37450	*29850	*29850	*23680	22220	*19380	17260					*16180	14020	@34.979ft			
	-15.0 ft	lb	*37840	*37840	*36280	*36280	*28410	*28410	*22790	22300	*18600	17320					*17130	15910	@32.006ft			
	-20.0 ft	lb	*42440	*42440	*32490	*32490	*25770	*25770	*20680	*20680							*18170	*18170	@27.827ft			
	-25.0 ft	lb			*26300	*26300	*20860	*20860									*19100	*19100	@21.743ft			

Notes: 1. The above loads are in compliance with SAE and ISO Hydraulic Excavator Lift Capacity Standards. 2. They do not exceed 87% of hydraulic lifting capacity or 75% of tipping load. 3. Rated loads marked with an asterisk (*) are limited by hydraulic capacity rather than tipping load.

Specifications

LIFTING CAPACITY EC480EHR with hydraulically retractable lower frame

At the arm end without bucket. For lifting capacity including bucket, simply subtract actual weight of the direct fit bucket or the bucket with quick fit from the following values.

Without Boom extension	Lifting hook related to ground level	1.5 m, 5 ft		3.0 m, 10 ft		4.5 m, 15 ft		6.0 m, 20 ft		7.5 m, 25 ft		9.0 m, 30 ft		Max. reach		
		Along UC	Across UC	Along UC	Across UC	Along UC	Across UC	Along UC	Across UC	Along UC	Across UC	Along UC	Across UC	Along UC	Across UC	Max.
Bent Boom Arm 3.9 m (12'10") Shoe 700 mm (28") CWT & no Add. CWT	30.0 ft lb													*17480	*17480	@26.743ft
	25.0 ft lb											*17860	*17860	*16610	*16610	@30.259ft
	20.0 ft lb									*25780	*25780	*24660	*24660	*16380	*16380	@32.63ft
	15.0 ft lb							*33110	*33110	*28580	*28580	*26030	24890	*16600	*16600	@34.102ft
	10.0 ft lb					*53860	*53860	*39040	*39040	*31880	31770	*27840	24130	*17260	*17260	@34.789ft
	5.0 ft lb					*52010	*52010	*44160	42120	*34950	30470	*29620	23380	*18430	*18430	@34.739ft
	0.0 ft lb			*19240	*19240	*51350	*51350	*47380	40610	*37160	29490	29490	*20300	19120	@33.949ft	
	-5.0 ft lb	*24470	*24470	*33900	*33900	*63590	62740	*48370	39860	37940	28930	29150	22470	*23300	20290	@32.363ft
	-10.0 ft lb	*38690	*38690	*50750	*50750	*62150	*62150	*46970	39750	*36970	28820			*28480	22710	@29.854ft
	-15.0 ft lb			*73150	*73150	*55450	*55450	*42450	40260	*32570	29310			*30250	27630	@26.151ft
-20.0 ft lb					*42850	*42850	*31470	*31470					*29990	*29990	@20.602ft	

Straight Boom Arm 3.9 m (12'10") Shoe 700 mm (28") CWT & no Add. CWT	Lifting hook related to ground level	4.5 m, 15 ft		6.0 m, 20 ft		7.5 m, 25 ft		9.0 m, 30 ft		10.5 m, 35 ft		Max. reach		
		Along UC	Across UC	Along UC	Across UC	Along UC	Across UC	Along UC	Across UC	Along UC	Across UC	Along UC	Across UC	Max.
Straight Boom Arm 3.9 m (12'10") Shoe 700 mm (28") CWT & no Add. CWT	40.0 ft lb											*23860	*23860	@18.543ft
	35.0 ft lb					*21460	*21460					*19200	*19200	@25.454ft
	30.0 ft lb					*26960	*26960					*17170	*17170	@29.99ft
	25.0 ft lb			*26900	*26900	*28260	*28260	*26050	25090			*16130	*16130	@33.157ft
	20.0 ft lb	*30940	*30940	*32100	*32100	*31780	*31780	*28240	24680	*18140	*18140	*15650	*15650	@35.332ft
	15.0 ft lb	*55400	*55400	*41490	*41490	*34010	31780	*29300	24000	24080	18770	*15570	*15570	@36.694ft
	10.0 ft lb			*45570	42210	*36180	30410	29970	23250	23710	18410	*15840	*15840	@37.332ft
	5.0 ft lb			*47880	40240	*37570	29250	29260	22570	23350	18070	*16460	*16460	@37.286ft
	0.0 ft lb	*27740	*27740	*47650	39170	37460	28480	28760	22100	23130	17860	*17530	16870	@36.552ft
	-5.0 ft lb	*40700	*40700	*44930	38830	*35920	28150	28550	21910	*20400	17940	*19230	17890	@35.086ft
-10.0 ft lb	*48440	*48440	*39710	39070	*32020	28250	*25010	22080			*19840	19840	@32.789ft	
-15 ft lb			*31350	*31350	*24820	*24820								@29.464ft

Notes: 1. The above loads are in compliance with SAE and ISO Hydraulic Excavator Lift Capacity Standards. 2. They do not exceed 87% of hydraulic lifting capacity or 75% of tipping load. 3. Rated loads marked with an asterisk (*) are limited by hydraulic capacity rather than tipping load.

LIFTING CAPACITY EC480EHR with hydraulically retractable lower frame

At the arm end without bucket. For lifting capacity including bucket, simply subtract actual weight of the direct fit bucket or the bucket with quick fit from the following values.

With Boom extension	Lifting hook related to ground level	4.5 m, 15 ft		6.0 m, 20 ft		7.5 m, 25 ft		9.0 m, 30 ft		10.5 m, 35 ft		12.1 m, 40 ft		13.7 m, 45 ft		Max. reach		
		Along UC	Across UC	Along UC	Across UC	Along UC	Across UC	Along UC	Across UC	Along UC	Across UC	Along UC	Across UC	Along UC	Across UC	Along UC	Across UC	Max.
Straight Extension & Straight Boom Arm 3.9 m (12'10") Shoe 700 mm (28") CWT & Add. CWT	50.0 ft lb			*26670	*26670											*23220	*23220	@21.818ft
	45.0 ft lb					*26650	*26650									*19670	*19670	@29.684ft
	40.0 ft lb					*26700	*26700	*23140	*23140	*18480	*18480					*17970	*17970	@35.123ft
	35.0 ft lb			*27110	*27110	*27090	*27090	*23230	*23230	*20420	*20420					*17050	*17050	@39.174ft
	30.0 ft lb	*37430	*37430	*34460	*34460	*27960	*27960	*23650	*23650	*20560	*20560	*18200	16500			*16570	14680	@42.243ft
	25.0 ft lb			*36850	*36850	*29150	*29150	*24260	*24260	*20840	20330	*18250	16130			*16280	13020	@44.537ft
	20.0 ft lb					*30340	*30340	*24880	24400	*21130	19330	*18330	15550	*16010	12550	*15450	11900	@46.173ft
	15.0 ft lb					*30940	28630	*25260	22710	*21290	18270	*18310	14900	*15850	12220	*14720	11160	@47.219ft
	10.0 ft lb							*25130	21270	*21170	17310	*18110	14270	*15520	11860	*14010	10730	@47.715ft
	5.0 ft lb							*24350	20270	*20640	16560	*17600	13750	*14910	11550	*13270	10560	@47.679ft
	0.0 ft lb					*25200	*25200	*22870	19720	*19610	16070	*16690	13390	*13880	11350	*12420	10650	@47.109ft
	-5.0 ft lb					*22610	*22610	*20750	19530	*18000	15840	*15250	13230	*12200	11320	*11370	11030	@45.985ft
	-10.0 ft lb					*19120	*19120	*17950	*17950	*15710	*15710	*13080	*13080			*10000	*10000	@44.265ft
	-15.0 ft lb					*14920	*14920	*14380	*14380	*12550	*12550	*9780	*9780			*8110	*8110	@41.873ft
	Straight Extension & Bent Boom Arm 3.9 m (12'10") Shoe 700 mm (28") CWT & Add. CWT	40.0 ft lb															*17230	*17230
35.0 ft lb								*21090	*21090							*16560	*16560	@34.115ft
30.0 ft lb						*24650	*24650	*21470	*21470	*19240	*19240					*16380	*16380	@37.606ft
25.0 ft lb		*42980	*42980	*32120	*32120	*26100	*26100	*22250	*22250	*19590	*19590	*17260	16830			*16550	*16550	@40.169ft
20.0 ft lb				*35640	*35640	*27890	*27890	*23250	*23250	*20120	*20120	*17860	16380			*17010	14940	@41.978ft
15.0 ft lb						*29610	*29610	*24240	*24240	*20680	19570	*18110	15760			*16810	13770	@43.127ft
10.0 ft lb						*30720	29080	*24980	23000	*21110	18520	*18280	15100			*16570	13030	@43.671ft
5.0 ft lb						*30830	27360	*25250	21710	*21260	17620	*18260	14510			*16390	12650	@43.631ft
0.0 ft lb				*20300	*20300	*29980	26440	*24930	20830	*21010	16940	*17910	14040			*16200	12620	@43.007ft
-5.0 ft lb				*32000	*32000	*28370	26080	*23960	20340	*20250	16530	*17070	13770			*15940	12970	@41.771ft
-10.0 ft lb				*29130	*29130	*26020	*26020	*22260	20200	*18800	16390					*15510	13800	@39.867ft
-15.0 ft lb				*25210	*25210	*22800	*22800	*19650	*19650	*16350	*16350					*14740	*14740	@37.189ft
-20.0 ft lb				*19930	*19930	*18360	*18360	*15700	*15700							*13230	*13230	@33.552ft
-25.0 ft lb																		

Notes: 1. The above loads are in compliance with SAE and ISO Hydraulic Excavator Lift Capacity Standards. 2. They do not exceed 87% of hydraulic lifting capacity or 75% of tipping load. 3. Rated loads marked with an asterisk (*) are limited by hydraulic capacity rather than tipping load.

Specifications

LIFTING CAPACITY EC750EHR

At the arm end without bucket. For lifting capacity including bucket, simply subtract actual weight of the direct fit bucket or the bucket with quick fit from the following values.

Without Boom Extension	Lifting Point	3m, 10ft		4.5m, 15ft		6m, 20ft		7.5m, 25ft		9m, 30ft		10.5m, 35ft		12m, 40ft		Max. Reach					
		Along	Across	Along	Across	Along	Across	Along	Across	Along	Across	Along	Across	Along	Across	Along	Across	Max.			
Bent Boom : 7.7 m (25'3") Arm : 4.2 m (13'9") Shoe : 750 mm (30") Hyd. Removal CWT : 12,816 kg (28,260 lb)	10.5 m kg																	*10,950	*10,950	8.3 m	
	35 ft lb																		*24,400	*24,400	26.7 ft
	9 m kg										*13,390	*13,390							*10,250	*10,250	9.5 m
	30 ft lb										*27,030	*27,030							*22,690	*22,690	30.9 ft
	7.5 m kg										*16,200	*16,200							*9,940	*9,940	10.4 m
	25 ft lb											*34,630	*34,630						*21,950	*21,950	33.9 ft
	6 m kg									*20,910	*20,910	*18,780	*18,780	*13,770	*13,770				*9,910	*9,910	11 m
	20 ft lb									*45,150	*45,150	*40,350	*40,350	*27,430	*27,430				*21,830	*21,830	35.9 ft
	4.5 m kg			*40,350	*40,350	*30,130	*30,130	*24,670	*24,670	*21,280	*21,280	*16,740	16,170						*10,100	*10,100	11.3 m
	15 ft lb			*86,680	*86,680	*65,080	*65,080	*53,480	*53,480	*46,250	45,840	*34,520	*34,520						*22,220	*22,220	37.2 ft
	3 m kg					*33,380	*33,380	*26,500	*26,500	*22,310	20,150	19,430	15,500						*10,510	*10,510	11.5 m
	10 ft lb					*72,150	*72,150	*57,420	*57,420	*48,420	43,330	*40,290	33,250						*23,120	*23,120	37.7 ft
	1.5 m kg					*35,490	*35,490	*27,860	25,300	*23,080	19,040	18,740	14,840						*11,180	*11,180	11.6 m
	5 ft lb			*46,730	*46,730	*76,830	*76,830	*60,360	54,460	*50,050	40,950	40,240	31,860						*24,610	*24,610	37.6 ft
	0 m kg			*22,950	*22,950	*36,020	33,910	*28,390	23,940	23,150	18,150	18,170	14,300						*12,220	*12,220	11.2 m
	0 ft lb			*52,900	*52,900	*78,100	72,840	*61,540	51,500	49,760	39,040	39,060	30,730						*26,920	*26,920	36.8 ft
	-1.5 m kg	*17,240	*17,240	*30,190	*30,190	*35,020	32,890	*27,890	23,100	22,540	17,570	17,840	13,980						*13,800	13,490	10.8 m
	-5 ft lb	*38,870	*38,870	*69,030	*69,030	*75,950	70,570	*60,420	49,680	48,460	37,800	*34,180	30,110						*30,500	29,770	35.3 ft
	-3 m kg	*26,320	*26,320	*40,790	*40,790	*32,490	*32,490	*26,120	22,770	*21,100	17,360								*16,360	14,860	10.1 m
	-10 ft lb	*59,360	*59,360	*89,060	*89,060	*70,380	69,940	*56,450	48,980	*45,340	37,390								*36,320	32,880	32.9 ft
-4.5 m kg	*37,370	*37,370	*34,750	*34,750	*28,120	*28,120	*22,570	*22,570	*17,090	*17,090								*16,820	*16,820	9.1 m	
-15 ft lb	*84,610	*84,610	*75,050	*75,050	*60,580	*60,580	*48,330	*48,330										*36,960	*36,960	29.5 ft	
-6 m kg					*20,870	*20,870	*15,440	*15,440													7.6 m
-20 ft lb					*43,980	*43,980															24.7 ft
Straight Boom : 8.3 m (27'3") Arm : 4.2 m (13'9") Shoe : 750 mm (30") Hyd. Removal CWT : 12,816 kg (28,260 lb)	12 m kg								*15,380	*15,380									*12,750	*12,750	8 m
	40 ft lb								*30,760	*30,760									*28,690	*28,690	25.4 ft
	10.5 m kg								*16,140	*16,140	*14,370	*14,370							*11,300	*11,300	9.5 m
	35 ft lb								*35,630	*35,630	*28,770	*28,770							*25,160	*25,160	30.6 ft
	9 m kg								*15,990	*15,990	*16,080	*16,080	*11,270	*11,270					*10,510	*10,510	10.6 m
	30 ft lb								*35,340	*35,340	*34,990	*34,990							*23,300	*23,300	34.4 ft
	7.5 m kg					*15,840	*15,840	*17,020	*17,020	*17,210	*17,210	*15,370	*15,370						*10,100	*10,100	11.3 m
	25 ft lb					*34,710	*34,710	*37,310	*37,310	*37,570	*37,570	*32,230	*32,230						*22,300	*22,300	37.1 ft
	6 m kg					*22,780	*22,780	*20,900	*20,900	*19,590	*19,590	*17,480	15,780						*9,910	*9,910	11.9 m
	20 ft lb					*48,010	*48,010	*45,010	*45,010	*42,440	*42,440	*37,370	33,810						*21,860	*21,860	38.9 ft
	4.5 m kg					*34,680	*34,680	*27,610	26,800	*23,060	19,780	19,090	15,180	*12,820	11,840				*9,920	*9,920	12.2 m
	15 ft lb					*75,010	*75,010	*59,830	57,730	*50,000	42,560	40,990	32,580	*22,760	*22,760	*21,860	*21,860		*21,860	*21,860	40.1 ft
	3 m kg					*35,970	35,360	*28,320	24,890	*23,330	18,670	18,420	14,530	14,700	11,550	*10,130	*10,130		*10,130	*10,130	12.4 m
	10 ft lb					*77,930	76,190	*61,370	53,620	*50,570	40,190	39,580	31,230	*28,110	24,740	*22,290	*22,290		*22,290	*22,290	40.6 ft
	1.5 m kg					*34,390	32,940	*28,170	23,360	22,700	17,720	17,820	13,960	14,420	11,280	*10,520	*10,520		*10,520	*10,520	12.3 m
	5 ft lb					*77,010	70,860	*61,100	50,310	48,830	38,150	38,330	30,030	*28,540	24,230	*23,140	*23,140		*23,140	*23,140	40.5 ft
	0 m kg					*32,990	31,750	*26,940	22,390	22,000	17,060	17,400	13,560	*13,270	11,140	*11,150	11,010		*11,150	11,010	12.1 m
	0 ft lb					*72,120	68,170	*58,430	48,180	47,310	36,710	37,440	29,180			*24,550	24,250		*24,550	24,250	39.7 ft
	-1.5 m kg			*17,480	*17,480	*29,380	*29,380	*24,500	21,960	*20,170	16,720	*16,210	13,390						*12,090	11,620	11.7 m
	-5 ft lb			*40,270	*40,270	*63,920	*63,920	*53,090	47,220	*43,540	35,990	*34,640	28,850						*26,700	25,650	38.3 ft
-3 m kg			*26,020	*26,020	*24,250	*24,250	*20,720	*20,720	*16,970	16,750	*12,670	*12,670						*10,190	*10,190	11 m	
-10 ft lb			*56,870	*56,870	*52,610	*52,610	*44,720	*44,720	*36,310	36,090	*26,180	*26,180						*22,290	*22,290	36.2 ft	
-4.5 m kg							*15,280	*15,280	*11,850	*11,850											10.1 m
-15 ft lb							*32,500	*32,500													33.1 ft

Notes: 1. The above loads are in compliance with SAE and ISO Hydraulic Excavator Lift Capacity Standards. 2. They do not exceed 87% of hydraulic lifting capacity or 75% of tipping load. 3. Rated loads marked with an asterisk (*) are limited by hydraulic capacity rather than tipping load.

LIFTING CAPACITY EC750EHR

At the arm end without bucket. For lifting capacity including bucket, simply subtract actual weight of the direct fit bucket or the bucket with quick fit from the following values.

With Boom Extension	Lifting Point	4.5m, 15ft		6m, 20ft		7.5m, 25ft		9m, 30ft		10.5m, 35ft		12m, 40ft		13.5m, 45ft		15m, 50ft		Max. Reach			
		Along	Across	Along	Across	Along	Across	Along	Across	Along	Across	Along	Across	Along	Across	Along	Across	Along	Across	Max.	
Bent Extension & Bent Boom: 11.0 m (36'1") Arm : 4.2 m (13'9") Shoe : 750 mm (30") Hyd. Removal CWT : 16,526 kg (36,440 lb)	9 m	kg											*11,180	*11,180					*10,000	*10,000	12.7 m
	30 ft	lb											*24,420	*24,420					*22,010	*22,010	41.3 ft
	7.5 m	kg									*12,690	*12,690	*11,510	*11,510					*10,270	*10,270	13.3 m
	25 ft	lb									*27,520	*27,520	*25,050	*25,050					*22,580	*22,580	43.5 ft
	6 m	kg					*18,990	*18,990	*15,560	*15,560	*13,410	*13,410	*11,960	*11,960	*10,960	*10,960			*10,710	*10,710	13.8 m
	20 ft	lb					*40,830	*40,830	*33,590	*33,590	*29,040	*29,040	*25,970	*25,970	*23,900	*23,900			*23,530	*23,530	45.1 ft
	4.5 m	kg					*20,960	*20,960	*16,730	*16,730	*14,170	*14,170	*12,460	*12,460	*11,260	*11,260			*10,910	*10,500	14.1 m
	15 ft	lb					*45,050	*45,050	*36,130	*36,130	*30,680	*30,680	*27,030	*27,030	*24,500	24,370			*24,050	23,220	46.1 ft
	3 m	kg					*22,430	*22,430	*17,760	*17,760	*14,890	*14,890	*12,940	*12,940	*11,570	10,840			*11,070	9,900	14.2 m
	10 ft	lb					*48,310	*48,310	*38,370	*38,370	*32,220	*32,220	*28,060	*28,060	*25,130	23,270			*24,400	21,850	46.6 ft
	1.5 m	kg					*22,720	*22,720	*18,490	*18,490	*15,460	15,120	*13,350	12,470	*11,830	10,350			*11,290	9,540	14.2 m
	5 ft	lb					*49,940	*49,940	*40,000	*40,000	*33,460	32,620	*28,940	26,850	*25,680	22,240			*24,880	21,040	46.5 ft
	0 m	kg					*23,160	22,630	*18,880	17,700	*15,820	14,370	*13,630	11,890	*11,990	9,950			*11,560	9,420	14 m
	0 ft	lb					*50,200	48,790	*40,870	38,180	*34,270	30,980	*29,540	25,610	*25,990	21,380			*25,490	20,760	45.8 ft
	-1.5 m	kg			*15,840	*15,840	*22,830	22,330	*18,910	17,170	*15,940	13,860	*13,720	11,490	*11,980	9,660			*11,880	9,550	13.6 m
	-5 ft	lb			*37,030	*37,030	*49,560	48,030	*40,980	36,990	*34,540	29,870	*29,720	24,730					*26,200	21,060	44.6 ft
	-3 m	kg	*16,530	*16,530	*23,770	*23,770	*22,190	*22,190	*18,600	16,930	*15,780	13,590	*13,560	11,260					*12,230	9,990	13.1 m
	-10 ft	lb	*37,690	*37,690	*54,320	*54,320	*48,180	47,880	*40,320	36,450	*34,170	29,270	*29,330	24,250					*27,000	22,070	42.8 ft
	-4.5 m	kg	*24,230	*24,230	*24,910	*24,910	*21,180	*21,180	*17,920	16,940	*15,260	13,540	*13,030	11,240					*12,610	10,860	12.3 m
	-15 ft	lb	*54,700	*54,700	*54,240	*54,240	*45,960	*45,960	*38,810	36,470	*32,980	29,180	*28,060	24,250					*27,840	24,060	40.2 ft
	-6 m	kg	*26,440	*26,440	*23,050	*23,050	*19,700	*19,700	*16,760	*16,760	*14,230	13,740							*12,970	12,420	11.3 m
	-20 ft	lb	*57,620	*57,620	*50,010	*50,010	*42,630	*42,630	*36,190	*36,190	*30,600	29,660							*28,640	27,660	36.8 ft
	-7.5 m	kg	*23,290	*23,290	*20,350	*20,350	*17,500	*17,500	*14,870	*14,870									*13,200	*13,200	10 m
-25 ft	lb	*50,340	*50,340	*43,890	*43,890	*37,640	*37,640	*31,810	*31,810									*29,110	*29,110	32.3 ft	
-9 m	kg			*16,380	*16,380	*14,080	*14,080											*12,950	*12,950	8.2 m	
-30 ft	lb			*34,760	*34,760	*29,650	*29,650											*28,380	*28,380	26.1 ft	

Notes: 1. The above loads are in compliance with SAE and ISO Hydraulic Excavator Lift Capacity Standards. 2. They do not exceed 87% of hydraulic lifting capacity or 75% of tipping load. 3. Rated loads marked with an asterisk (*) are limited by hydraulic capacity rather than tipping load.

LIFTING CAPACITY EC750EHR

At the arm end without bucket. For lifting capacity including bucket, simply subtract actual weight of the direct fit bucket or the bucket with quick fit from the following values.

With boom extension	Lifting Point	4.5m, 15ft		6m, 20ft		7.5m, 25ft		9m, 30ft		10.5m, 35ft		12m, 40ft		13.5m, 45ft		15m, 50ft		Max. Reach							
		Along	Across	Along	Across	Along	Across	Along	Across	Along	Across	Along	Across	Along	Across	Along	Across	Along	Across	Max.					
Straight Extension & Straight Boom: 12.7 m (41'8") Arm : 4.2 m (13'9") Shoe : 750 mm (30") Hyd. Removal CWT: 16,526 kg (36,440 lb)	16.5 m	kg						*16,780	*16,780	*13,520	*13,520									*13,320	*13,320	9 m			
	55 ft	lb						*36,420	*36,420												*30,210	*30,210	28.3 ft		
	15 ft	kg							*16,110	*16,110	*14,250	*14,250									*11,830	*11,830	11 m		
	50 ft	lb							*35,800	*35,800	*35,260	*35,260	*27,570	*27,570								*26,480	*26,480	35.3 ft	
	13.5 m	kg						*15,460	*15,460	*16,070	*16,070	*15,980	*15,980	*13,740	*13,740							*10,970	*10,970	12.5 m	
	45 ft	lb							*34,310	*34,310	*35,470	*35,470	*34,730	*34,730	*26,550	*26,550						*24,400	*24,400	40.5 ft	
	12 m	kg							*16,010	*16,010	*16,660	*16,660	*16,450	*16,450	*14,380	*14,380	*11,940	11,640				*10,440	*10,440	13.7 m	
	40 ft	lb							*35,070	*35,070	*36,490	*36,490	*35,690	*35,690	*31,200	*31,200							*23,130	*23,130	44.5 ft
	10.5 m	kg			*21,840	*21,840	*20,050	*20,050	*19,250	*19,250	*16,530	*16,530	*14,380	*14,380	*12,630	11,620							*10,110	9,610	14.6 m
	35 ft	lb			*43,850	*43,850	*42,250	*42,250	*41,320	*41,320	*35,840	*35,840	*31,170	*31,170	*27,360	24,780							*22,370	21,520	47.7 ft
	9 m	kg							*23,790	*23,790	*19,590	*19,590	*16,620	*16,620	*14,380	14,100	*12,580	11,300	*11,000	9,000			*9,950	8,490	15.3 m
	30 ft	lb							*51,480	*51,480	*42,440	*42,440	*36,020	*36,020	*31,160	30,330	*27,240	24,200	*22,930	19,060			*21,950	18,920	50.1 ft
	7.5 m	kg									*19,740	*19,740	*16,660	16,570	*14,340	13,330	*12,490	10,830	*10,890	8,800			*9,900	7,690	15.9 m
	25 ft	lb									*42,760	*42,760	*36,090	35,830	*31,070	28,740	*27,040	23,250	*23,490	18,770			*21,810	17,070	52 ft
	6 m	kg											*16,540	15,310	*14,200	12,510	*12,330	10,300	*10,710	8,490			*9,260	7,120	16.3 m
	20 ft	lb											*35,850	33,130	*30,770	26,990	*26,670	22,140	*23,090	18,170			*20,500	15,760	53.4 ft
	4.5 m	kg											*16,160	14,140	*13,900	11,720	*12,040	9,760	*10,420	8,150			*8,640	6,740	16.5 m
	15 ft	lb											*35,070	30,620	*30,130	25,300	*26,060	21,010	*22,450	17,480			*19,110	14,880	54.2 ft
	3 m	kg											*15,450	13,220	*13,390	11,050	*11,600	9,280	*9,980	7,830			*8,010	6,500	16.6 m
	10 ft	lb											*33,590	28,600	*29,040	23,840	*25,090	19,990	*21,490	16,820			*17,700	14,340	54.6 ft
	1.5 m	kg											*14,380	12,600	*12,630	10,530	*10,960	8,900	*9,370	7,570			*7,330	6,410	16.6 m
	5 ft	lb											*31,330	27,210	*27,400	22,720	*23,690	19,160	*20,130	16,270			*16,190	14,130	54.5 ft
	0 m	kg											*13,000	12,260	*11,600	10,200	*10,090	8,630	*8,530	7,390			*6,580	6,460	16.4 m
	0 ft	lb											*28,360	26,440	*25,160	21,990	*21,770	18,590	*18,230	15,910			*14,500	14,250	53.9 ft
	-1.5 m	kg											*11,340	*11,340	*11,340	*11,340	*10,270	10,040	*8,930	8,500	*7,390	7,330	*5,690	*5,690	16.1 m
	-5 ft	lb											*25,170	*25,170	*24,730	*24,730	*22,250	21,640	*19,200	18,320	*15,610	*15,610	*12,520	*12,520	52.9 ft
	-3 m	kg											*9,090	*9,090	*9,380	*9,380	*8,630	*8,630	*7,440	*7,440	*5,810	*5,810	*4,620	*4,620	15.7 m
	-10 ft	lb											*20,140	*20,140	*20,430	*20,430	*18,600	*18,600	*15,850	*15,850	*11,900	*11,900	*10,110	*10,110	51.4 ft
-4.5 m	kg											*7,100	*7,100	*6,600	*6,600	*5,500	*5,500	*3,420	*3,420			*3,280	*3,280	15.1 m	
-15 ft	lb											*14,460	*14,460	*15,360	*15,360	*14,070	*14,070	*11,420	*11,420					49.3 ft	

Notes: 1. The above loads are in compliance with SAE and ISO Hydraulic Excavator Lift Capacity Standards. 2. They do not exceed 87% of hydraulic lifting capacity or 75% of tipping load. 3. Rated loads marked with an asterisk (*) are limited by hydraulic capacity rather than tipping load.

Equipment

STANDARD EQUIPMENT EC380EHR, EC480EHR, EC750EHR

Engine

Turbocharged, 4 stroke diesel engine with water cooling, direct injection and charged air cooler that meets Tier4f requirements.
Air intake heater
Fuel filter and water separator
Alternator, 80 A
Precleaner, Cyclone
Block heater: 120 V, 240 V
Water separator with heater
Reversible cooling fan (EC380EHR, EC480EHR)

Electric/Electronic control system

Contronics
Advanced mode control system
Self-diagnostic system
Machine status indication
Engine speed sensing power control
Automatic idling system
One-touch power boost
Safety stop/start function
Adjustable two LCD color monitors
Master electrical disconnect switch
Engine restart prevention circuit
Working lights (LED)
Frame-mounted 2
Boom-mounted 4
Batteries, 2 x 12 V / 200 Ah
Start motor, 24 V / 7 kW
CareTrack
Engine emergency stop switch
TMI (Total Moment Indicator) and Overload Warning during swinging
Extra working lights (LED):
Cab mounted x2 (front) x1 (rear)
Counterweight mounted x1
Travel alarm
Rotating warning beacon
Side view camera
Front camera for demolition
Rear view camera on counterweight
Air pressure supply in cabin
Dust suppression system

Hydraulic system

Hose rupture valve for UHR:
boom cylinder
Hydraulic piping:
Work tool management system (Up to 20 programmable memories)
Quick fit piping
Hammer & shear:
Two pump flow, double acting, return filter, proportional control, preset
Slope & rotator
Oil drain line
Overload warning device
Automatic sensing hydraulic system
Summation system
Boom priority
Arm priority
Swing priority
Boom and arm regeneration valves
Slew anti-rebound valves
Boom and arm holding valves
Multi-stage filtering system
Cylinder cushioning
Cylinder contamination seals
Auxiliary hydraulic valve
Automatic two-speed travel motors
Hydraulic oil, ISO VG 46
Straight travel pedal
Boom cylinder guard
Bucket cylinder guard

Superstructure

Standard (fixed type) and additional counterweight (EC380EHR)
Standard (hydraulic removable type) and additional counterweight (EC480EHR and EC750EHR)
HD undercover plate (8 mm / 0.31 in)
HD double thickness side doors with micro mesh
Access way with handrail
Punched metal anti-slip plates
Tool storage area
Side Impact Protection System
Side walk-way for tilting cab
Undercarriage
Hydraulically retractable lower frame (EC380EHR, EC480EHR, EC750EHR)
Swing ring guard
XD Undercover
Hydraulic track adjusters
Greased and sealed track link
Full track guards
Foot support bar

STANDARD EQUIPMENT EC380EHR, EC480EHR, EC750EHR

Tilting cab, and interior

Tilting cab
Control Joystick with 3 switch & 1 prop. control
Air-conditioner climate control
Silicon oil and rubber mounts with spring
Adjustable operator seat and joystick control console
AM/FM stereo with CD Player and MP3 input with bluetooth
Flexible antenna
Hydraulic safety lock lever
Cab, all-weather sound suppressed, includes:
Cup holder
Door locks
Tinted glass
Floor mat
Horn
Large storage area
Seat belt, 3 inch retractable
Safety glass(front, side, roof)
Sun shields, front, roof, rear
Windshield wipers with intermittent feature(front and roof)
Master key
Frame mounted Falling object guard (FOG)
Pilot control pattern change

Track shoes

750 mm (30") double grouser shoes (EC750EHR), 700 mm (28") triple grouser shoes (EC380EHR, EC480EHR)
--

Digging equipment

Digging boom Straight 6.8 m (22'4") / Bent 6.5 m (21'4") (EC380EHR)
Arm: 3.9 m (12'10") (EC380EHR)
Digging boom Straight 7.5 m (24'7") / Bent 7.0 m (23'0") (EC480EHR)
Arm: 3.9 m (12'10") (EC480EHR)
Digging boom Straight 8.3 m (27'3") / Bent 7.7 m (25'3") (EC750EHR)
Arm: 4.2 m (13'9") (EC750EHR)
Boom extension 3.0 m (9'10") (EC380EHR)
Boom extension 3.4m (11'2") (EC480EHR)
Boom extension 4.0 m (13'1") (EC750EHR)
Manual centralized lubrication

High reach

Boom HR-3 piece: 23 m (75.5 ft) (EC380EHR)
Boom HR-3 piece: 28 m (91.9 ft) (EC480EHR)
Boom HR-3 piece: 26 m (85.3 ft) (EC750EHR)
Boom HR-3 piece: 36 m (118.1 ft) (EC750EHR)

Service

Tool kit, daily maintenance

OPTIONAL EQUIPMENT EC380EHR, EC480EHR, EC750EHR

Engine

Oil bath pre-cleaner
Diesel coolant heater ,10kW
Reversible cooling fan (EC750EHR)
Fuel filler pump: 50 l/min (13.2 gal/min) , with automatic shut-off

Electric/Electronic control system

Anti-theft system

Hydraulic system

Hose rupture valve for digging boom : Arm
Volvo hydraulic quick fit, (SQF S3,VQC-HU,DR38) for digging boom (EC380EHR)
Volvo hydraulic quick fit, (SQF S3,VQC-HU,DR48) for digging boom (EC480EHR)
Hydraulic oil, ISO VG 32, 68
Hydraulic oil, biodegradable 46
Hydraulic oil, longlife oil 32, 46, 68

Tilting cab, and interior

Smoker kit (ashtray & lighter)
Specific key
Luxury seat with wider armrest and ventilation
Hepa filter

Undercarriage

Track shoes
600/700/800/900 mm (24"/28"/32"/36") triple grouser shoes (EC380EHR and EC480EHR)
600 mm (24") double grouser shoes (EC380EHR and EC480EHR)
650 (26") double grouser shoes (EC750EHR)

Digging equipment

Arm: 3.2 m (10'6") EC380EHR
Arm: 3.35 m (11'0") EC480EHR

Service

Spare parts
Tool kit, full scale

Not all products are available in all markets. Under our policy of continuous improvement, we reserve the right to change specifications and design without prior notice. The illustrations do not necessarily show the standard version of the machine.

Notes

VOLVO

Volvo Construction Equipment

volvoce.com