

CROWN

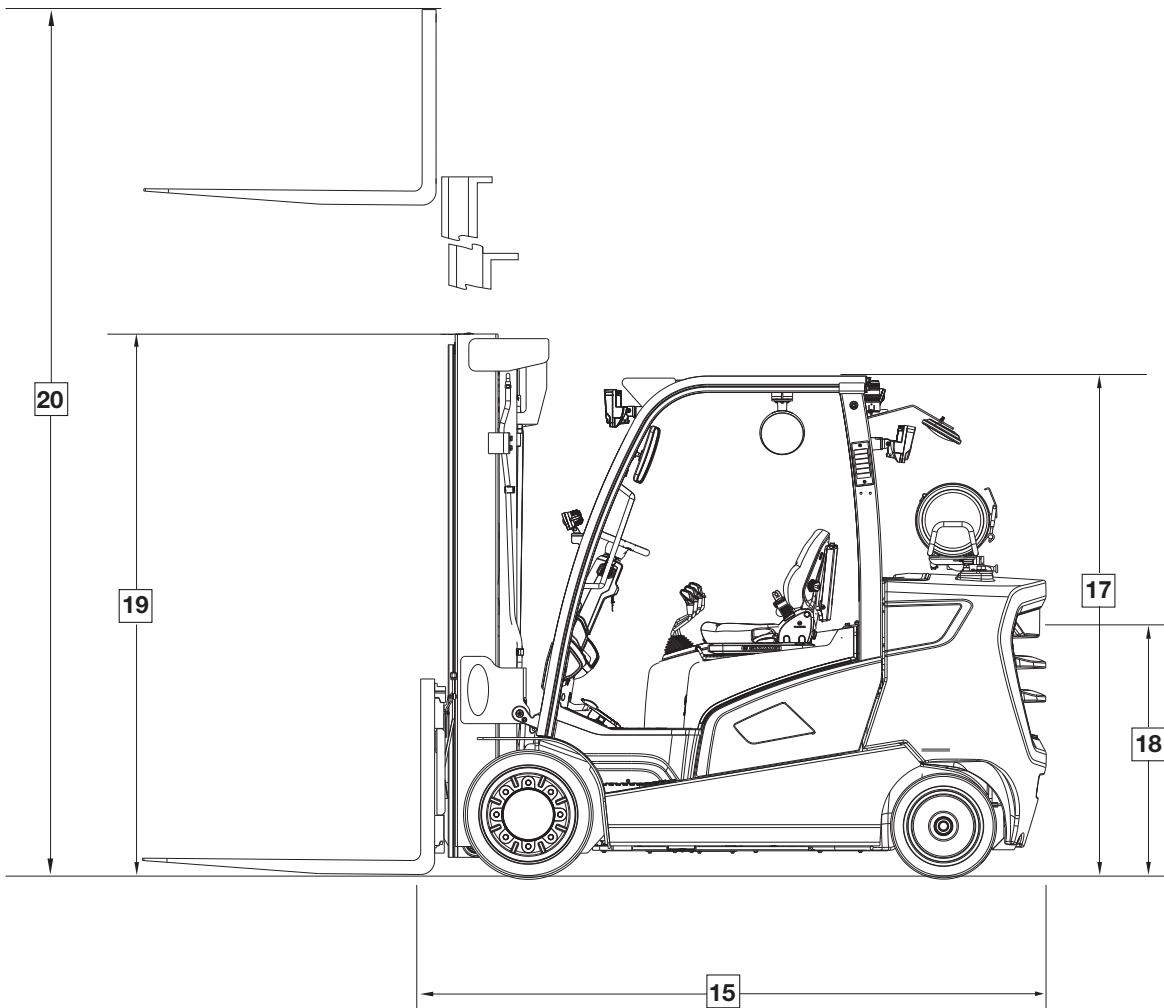
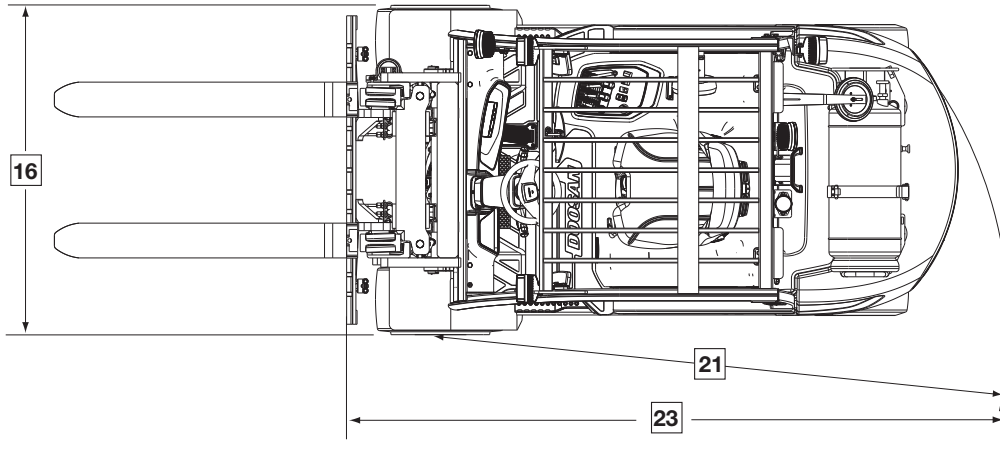
C-G

8,000-12,000 lb Capacity

IC Cushion Tire

Specifications





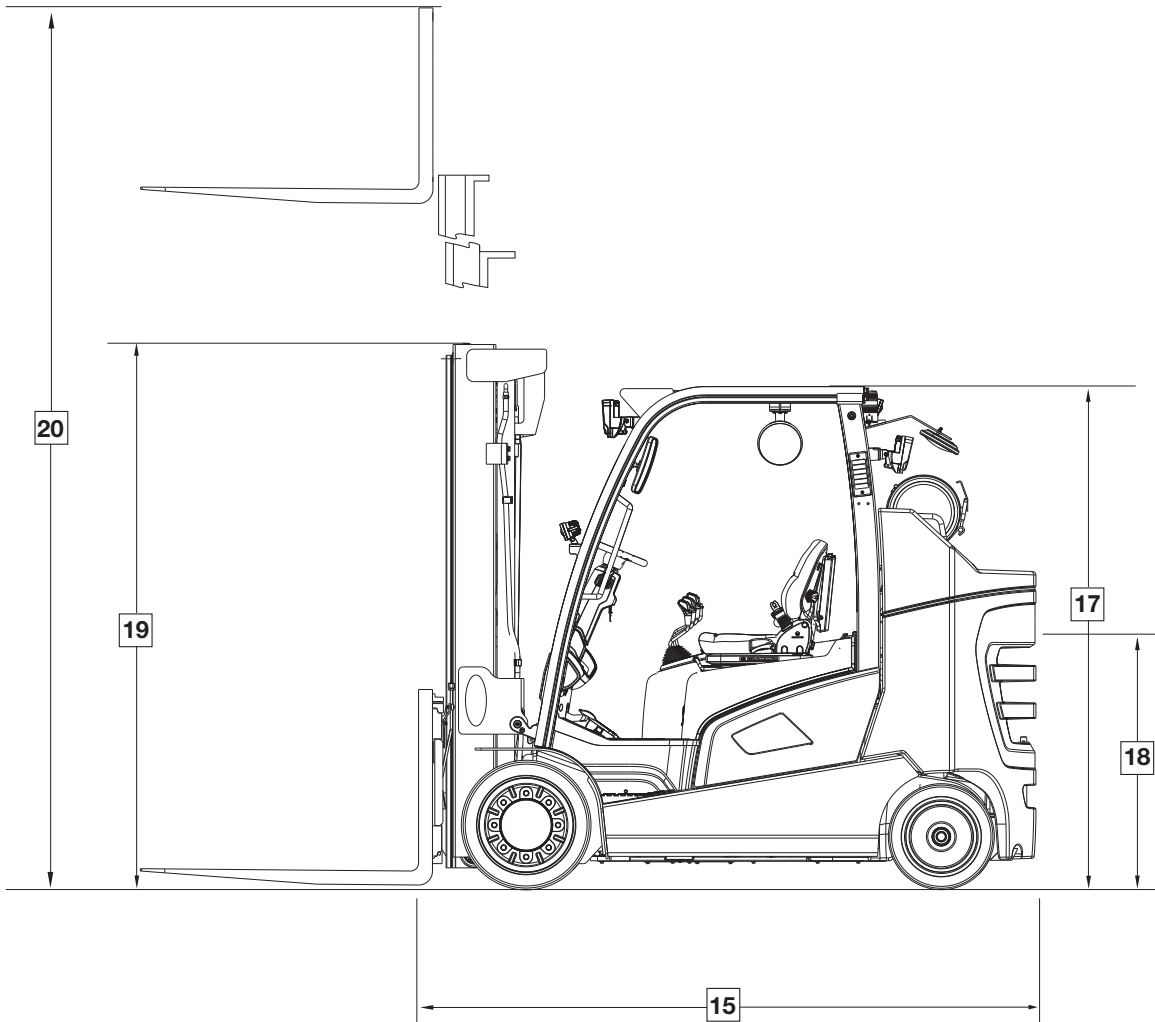
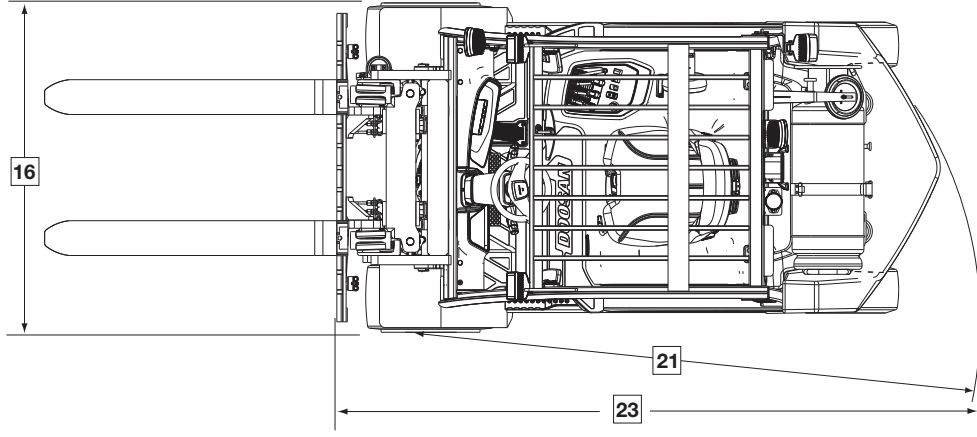
C-G Series

Specifications

			Imperial	Metric	Imperial	Metric	Imperial	Metric			
Characteristics	1	Manufacturer	Crown Equipment Corporation								
	2	Model	CGC35S-9		CGC45S-9		CGC55C-9				
	3	Load Capacity	lb kg	8000	3629	10000	4536	12000	5443		
	4	Load Center	Fork Face to Load CG	in mm	24	610	24	610	24	610	
	5	Power Type	Electric, Gas, LPG, Diesel								
	6	Operator Type	LPG								
	7	Tire Type	Pneumatic, Super Elastic, Cushion								
	8	Wheels (x = driven)	Cushion								
	9	Steering Type	Front / Rear								
	10	Mast	Lifting Height (MFH)	in mm	2x / 2						
		Free Lift Height	in mm	Hydrostatic							
		See Mast Chart									
Dimensions	11	Fork Carriage	ISO 2328, Class / Type A,B		III / A		IV / A		IV / A		
	12	Forks	Standard L x W x T	in mm	47.2 x 5.9 x 2	1200 x 150 x 50	47.2 x 5.9 x 2.4	1200 x 150 x 60	47.2 x 5.9 x 2.4	1200 x 150 x 60	
	13		Optional Lengths	in mm	41, 53, 59, 71, 94	1041, 1346, 1499, 1803, 2388	53, 59, 71, 79, 94	1346, 1499, 1803, 2007, 2388	53, 59, 71, 79, 94	1346, 1499, 1803, 2007, 2388	
	14	Tilt of Mast	Forward / Backward	deg	5 / 6						
	15	Headlength	Length to Fork Face	in mm	102	2590	105.9	2690	108.3	2750	
	16	Overall Width		in mm	50	1270	55.9	1420	55.9	1420	
	17	Height of Overhead Guard	Floor to OHG	in mm	84.8	2155	84.8	2155	84.8	2155	
	18	Height of Seat	Floor to Seat	in mm	43.5	1105	43.5	1105	43.5	1105	
	19	Mast Collapsed Ht.	With Load Backrest	in mm	See Mast Chart						
	20	Mast Extended Ht.	With Load Backrest	in mm							
	21	Turning Radius		in mm	90.5	2298	95.1	2415	97	2463	
22	Load Distance	Center of Drive Axle to Fork Face	in mm	17.6	447	18	457	18	457		
23	Aisle Width (Add Load + Clearance)	Right Angle Stack (L = 48" x W = 40")	in mm	108.1	2745	113.1	2872	115	2920		
Performance	24	Travel Speed	Empty / Loaded	mph km/h	10.2 / 10.5	16.4 / 16.9	10.5 / 10	16.9 / 16.1	10.5 / 10	16.9 / 16.1	
	25	Lift Speed	Empty / Loaded	fpm m/s	120.1 / 126	0.61 / .064	126 / 116.1	0.64 / 0.59	126 / 116.1	0.64 / 0.59	
	26	Lowering Speed	Empty / Loaded	fpm m/s	100.4 / 88.6	0.51 / 0.45	88.6 / 100.4	0.45 / 0.51	88.6 / 100.4	0.45 / 0.51	
	27	Drawbar Pull @ 1 mph	Empty / Loaded	lb kg	7209 / 7181	32,115 / 31,987	7143 / 7016	31,821 / 31,252	7117 / 6939	31,703 / 30,909	
	28	Drawbar Pull Max.	Empty / Loaded	lb kg	8224 / 7154	36,632 / 31,870	8153 / 8070	36,319 / 35,946	8127 / 7993	36,201 / 35,603	
	29	Gradeability @ 1 mph	Empty / Loaded	%	69 / 38		51 / 29		47 / 25		
	30	Gradeability Max.	Empty / Loaded	%	77 / 42		61 / 33		56 / 29		
Weight	31	Vehicle Weight		lb kg	13470	6110	15754	7146	16702	7576	
	32	Axle Load - Front	Empty / Loaded	lb kg	4657 / 18,043	2112 / 8184	4869 / 20,830	2208 / 9448	4795 / 23,948	2175 / 10,863	
	33	Axle Load - Rear	Empty / Loaded	lb kg	8813 / 3427	3997 / 1554	10,885 / 4924	4937 / 2234	11,906 / 4753	5401 / 2156	
	34	Tire Size - Front	OD x Width x Rim Dia.	in	22 x 9 x 16		22 x 12 x 16		22 x 12 x 16		
Chassis	35	Tire Size - Rear	OD x Width x Rim Dia.	in mm	18 x 7 x 12.2		18 x 7 x 12.2		18 x 7 x 12.2		
	36	Wheelbase	Distance	in mm	61.8	1570	70.5	1790	70.5	1790	
	37	Tread / Track Width	Front / Rear	in mm	41 / 41.1	1042 / 1044	43.9 / 41.4	1116 / 1044	43.9 / 41.4	1116 / 1044	
	38	Ground Clearance	Loaded at the lowest point	in mm	4.3	110.5	4.3	110.5	4.3	110.5	
	39		Loaded at center of wheelbase	in mm	5.1	130	5.1	130	5.1	130	
	40	Brakes	Service		Foot / Hydraulic / Oil Cooled Disc						
	41		Parking		Electro-mechanical						
	Powertrain	42	Battery	Voltage / Ampere	v / ah	12 / 75					
		43	Engine	Manufacturer / Model		Kubota / WG 3800					
44			No. of Cylinders / Displacement	CC	4 / 3,769						
45			Rated Power (SAE Gross) hp @ rpm kw @ rpm		92.5 / 2,500	69 / 2,500	92.5 / 2,500	69 / 2,500	92.5 / 2,500	69 / 2,500	
46			Maximum Torque (SAE) ft-lbs. @ rpm N-m @ rpm		213.9 / 1,200	290 / 1,200	213.9 / 1,200	290 / 1,200	213.9 / 1,200	290 / 1,200	
47		Transmission	Type		Powershift						
48			Number of Speeds Fwd / Rev		1 / 1						
49		Hydraulic Pressure	System Operating Pressure	psi bar	2900	200	3190	220	3480	240	
50		Attachment Operating Pressure	psi bar	2030	140	2030	140	2030	140		
51	Attachments	Oil Volume	gpm lpm	31.7	120	31.7	120	31.7	120		

All dimensions based on a TL 2-stage mast.

Optional masts, attachments, longer load centers, and higher lifting heights may result in derating of truck capacity. Contact local dealer.



C-G Series

Specifications

			Imperial	Metric	Imperial	Metric	Imperial	Metric		
Characteristics	1	Manufacturer	Crown Equipment Corporation							
	2	Model	Box Car Counterweight Models		CGC35S-9 BCS		CGC45S-9 BCS		CGC55C-9 BCS	
	3	Load Capacity	lb kg	8000	3629	10000	4536	12000	5443	
	4	Load Center	Fork Face to Load CG	in mm	24	610	24	610	24	610
	5	Power Type	Electric, Gas, LPG, Diesel							
	6	Operator Type	LPG							
	7	Tire Type	Pneumatic, Super Elastic, Cushion							
	8	Wheels (x = driven)	Front/Rear							
	9	Steering Type	2x / 2							
	10	Mast	Lifting Height (MFH)	in mm	Hydrostatic					
		Free Lift Height	in mm	See Mast Chart						
Dimensions	11	Fork Carriage	ISO 2328, Class / Type A,B		III / A		IV / A		IV / A	
	12	Forks	Standard L x W x T	in mm	47.2 x 5.9 x 2	1200 x 150 x 50	47.2 x 5.9 x 2.4	1200 x 150 x 60	47.2 x 5.9 x 2.4	1200 x 150 x 60
	13		Optional Lengths	in mm	41, 53, 59, 71, 94	1041, 1346, 1499, 1803, 2388	53, 59, 71, 79, 94	1346, 1499, 1803, 2007, 2388	53, 59, 71, 79, 94	1346, 1499, 1803, 2007, 2388
	14	Tilt of Mast	Forward / Backward	deg	5 / 6					
	15	Headlength	Length to Fork Face	in mm	97.6	2480	101.3	2573	104.5	2655
	16	Overall Width		in mm	50	1270	55.9	1420	55.9	1420
	17	Height of Overhead Guard	Floor to OHG	in mm	84.8	2155	84.8	2155	84.8	2155
	18	Height of Seat	Floor to Seat	in mm	43.5	1105	43.5	1105	43.5	1105
	19	Mast Collapsed Ht.	With Load Backrest	in mm	See Mast Chart					
	20	Mast Extended Ht.	With Load Backrest	in mm						
	21	Turning Radius		in mm	82.8	2104	87.9	2232	94.5	2400
	22	Load Distance	Center of Drive Axle to Fork Face	in mm	17.6	447	17.6	447	18	457
	23	Aisle Width (Add Load + Clearance)	Right Angle Stack	in mm	100.4	2551	105	2679	112.5	2857
Performance	24	Travel Speed	Empty / Loaded	mph km/h	10.5 / 10.2	16.9 / 16.4	10.4 / 10.2	16.8 / 16.4	10.5 / 10.0	16.9 / 16.1
	25	Lift Speed	Empty / Loaded	fpm m/s	126 / 120.1	0.64 / 0.61	126.1 / 116.1	0.64 / 0.59	126.1 / 116.1	0.64 / 0.59
	26	Lowering Speed	Empty / Loaded	fpm m/s	88.6 / 100.4	0.45 / 0.51	88.6 / 100.4	0.45 / 0.51	88.6 / 100.4	0.45 / 0.51
	27	Drawbar Pull @ 1 mph	Empty / Loaded	lb kg	7227 / 7198	32,193 / 32,066	7181 / 7152	31,987 / 31,860	7128 / 6948	31,752 / 30,948
	28	Drawbar Pull Max.	Empty / Loaded	lb kg	8241 / 8270	36,711 / 36,838	8195 / 8224	36,505 / 36,632	8136 / 8001	36,240 / 35,643
	29	Gradeability @ 1 mph	Empty / Loaded	%	69 / 38		56 / 34		49 / 25	
	30	Gradeability Max.	Empty / Loaded	%	84 / 44		68 / 35		58 / 29	
Weight	31	Vehicle Weight		lb kg	12,808	5810	14,658	6649	16340	7412
	32	Axle Load - Front	Empty / Loaded	lb kg	4992 / 18,378	2264 / 8336	4884 / 21,744	2215 / 9863	5104 / 24,257	2315 / 11,003
	33	Axle Load - Rear	Empty / Loaded	lb kg	7816 / 2430	3545 / 1102	9774 / 2914	4433 / 1322	11,236 / 4083	5097 / 1852
	34	Tire Size - Front	OD x Width x Rim Dia.	in	22 x 9 x 16					
35	Tire Size - Rear	OD x Width x Rim Dia.	in	18 x 7 x 12.2						
Chassis	36	Wheelbase	Distance	in mm	61.8	1570	61.8	1570	70.5	1790
	37	Tread / Track Width	Front / Rear	in mm	41 / 41.1	1042 / 1044	43.9 / 41.1	1116 / 1044	43.9 / 41.1	1116 / 1044
	38	Ground Clearance	Loaded at the lowest point	in mm	4.3	110.5	4.3	110.5	4.3	110.5
	39		Loaded at center of wheelbase	in mm	5.1	130	5.1	130	5.1	130
	40	Brakes	Service		Foot / Hydraulic / Oil Cooled Disc					
	41		Parking		Electro-mechanical					
	Powertrain	42	Battery	Voltage / Ampere	v / ah	12 / 75				
43		Engine	Manufacturer / Model		Kubota / WG 3800					
44			No. of Cylinders / Displacement	CC	4 / 3,769					
45			Rated Power (SAE Gross) hp @ rpm kw @ rpm		92.5 / 2,500	69 / 2,500	92.5 / 2,500	69 / 2,500	92.5 / 2,500	69 / 2,500
46			Maximum Torque (SAE) ft-lbs. @ rpm N-m @ rpm		213.9 / 1,200	290 / 1,200	213.9 / 1,200	290 / 1,200	213.9 / 1,200	290 / 1,200
47		Transmission	Type		Powershift					
48			Number of Speeds Fwd / Rev		1 / 1					
49		Hydraulic Pressure	System Operating Pressure	psi bar	2900	200	3190	220	3480	240
50			Attachment Operating Pressure	psi bar	2030	140	2030	140	2030	140
51		Attachments	Oil Volume for Attachments	gpm lpm	31.7	120	31.7	120	31.7	120

All dimensions based on a TL 2-stage mast.

Optional masts, attachments, longer load centers, and higher lifting heights may result in derating of truck capacity. Contact local dealer.

C-G Series

Specifications

CGC35S-9

Mast Type	Maximum Fork Height		Maximum Lowered Height		Fully Extended Height		Free Tilt		Tilt Angle	LB @24" LC	KG @24" LC
	in	mm	in	mm	in	mm	in	mm	FWD/BWD		
TL	118	3000	86	2185	168	4265	6	160	5/6	8000	3620
	130	3300	92	2335	180	4565	6	160	5/6	8000	3620
	191	4850	134	3410	241	6115	6	160	5/6	7550	3350
TF	118	3000	85	2165	167	4240	38	965	5/6	8000	3620
TT	157	4000	81	2045	207	5265	33	845	5/6	8000	3625
	167	4250	84	2135	218	5530	37	935	5/6	8000	3625
	185	4700	90	2285	235	5980	43	1085	5/6	8000	3355
	189	4800	91	2320	240	6085	44	1120	5/6	8000	3285
	203	5150	96	2435	253	6430	49	1235	5/6	7900	3240
	220	5600	102	2585	271	6880	55	1385	5/6	7550	3015
	238	6050	108	2735	289	7330	60	1535	5/6	5350	2130
256	6500	114	2885	306	7780	66	1685	5/3	5350	2200	
276	7000	121	3070	326	8280	74	1870	5/3	3700	1475	

GC35S-9 BCS

Mast Type	Maximum Fork Height		Maximum Lowered Height		Fully Extended Height		Free Tilt		Tilt Angle	LB @24" LC	KG @24" LC
	in	mm	in	mm	in	mm	in	mm	FWD/BWD		
TL	118	3000	86	2185	168	4265	6	160	5/6	8000	3620
	130	3300	92	2335	180	4565	6	160	5/6	8000	3620
	191	4850	134	3410	241	6115	6	160	5/6	7200	3215
TF	118	3000	85	2165	167	4240	38	965	5/6	8000	3620
TT	157	4000	81	2045	207	5265	33	845	5/6	8000	3625
	167	4250	84	2135	218	5530	37	935	5/6	7900	3470
	185	4700	90	2285	235	5980	43	1085	5/6	7650	3355
	189	4800	91	2320	240	6085	44	1120	5/6	7600	3285
	203	5150	96	2435	253	6430	49	1235	5/6	7400	3240
	220	5600	102	2585	271	6880	55	1385	5/6	7150	3130
	238	6050	108	2735	289	7330	60	1535	5/6	5600	2245
256	6500	114	2885	306	7780	66	1685	5/3	5600	2245	
276	7000	121	3070	326	8280	74	1870	5/3	3950	1590	

CGC45S-9

Mast Type	Maximum Fork Height		Maximum Lowered Height		Fully Extended Height		Free Lift		Tilt Angle	LB @24" LC	KG @24" LC
	in	mm	in	mm	in	mm	in	mm	FWD/BWD		
TL	118	3000	86	2185	174	4415	6	160	5/6	10000	4500
	130	3300	92	2335	186	4715	6	160	5/6	10000	4500
	144	3650	99	2510	199	5065	6	160	5/6	10000	4500
	157	4000	112	2835	213	5415	6	160	5/6	10000	4500
TF	118	3000	85	2165	173	4390	32	815	5/6	10000	4500
TT	157	4000	81	2045	213	5415	27	695	5/6	9850	4500
	167	4250	84	2135	224	5680	31	785	5/6	9700	4425
	185	4700	90	2285	241	6130	37	935	5/6	9400	4275
	203	5150	96	2435	259	6580	43	1085	5/6	9100	4150
	220	5600	102	2585	277	7030	49	1235	5/6	8800	4025
256	6500	114	2885	312	7930	60	1535	5/6	6400	2875	

Note: Specification values quoted in this spec sheet have been rounded. Performance may vary due to operating conditions. Products and specifications are subject to improvement and change without prior notice.

C-G Series

Specifications

CGC45S-9 BCS

Mast Type	Maximum Fork Height		Maximum Lowered Height		Fully Extended Height		Free Lift		Tilt Angle	LB @24" LC	KG @24" LC
	in	mm	in	mm	in	mm	in	mm	FWD/BWD		
TL	118	3000	86	2185	174	4415	6	160	5/6	10000	4500
	130	3300	92	2335	186	4715	6	160	5/6	10000	4500
	144	3650	99	2510	199	5065	6	160	5/6	10000	4500
	157	4000	112	2835	213	5415	6	160	5/6	10000	4500
TF	118	3000	85	2165	173	4390	32	815	5/6	10000	4500
TT	157	4000	81	2045	213	5415	27	695	5/6	9850	4500
	167	4250	84	2135	224	5680	31	785	5/6	9700	4425
	185	4700	90	2285	241	6130	37	935	5/6	9400	4275
	203	5150	96	2435	259	6580	43	1085	5/6	9100	4150
	220	5600	102	2585	277	7030	49	1235	5/6	8800	4025
	256	6500	114	2885	312	7930	60	1535	5/6	6200	2800

CGC55C-9

Mast Type	Maximum Fork Height		Maximum Lowered Height		Fully Extended Height		Free Lift		Tilt Angle	LB @24" LC	KG @24" LC
	in	mm	in	mm	in	mm	in	mm	FWD/BWD		
TL	108	2750	86	2185	164	4165	7	170	5/6	12100	5500
	120	3050	92	2335	176	4465	7	170	5/6	12100	5500
	134	3400	99	2510	190	4815	7	170	5/6	12100	5500
	148	3750	112	2835	203	5165	7	170	5/6	12100	5500
TF	130	3300	91	2305	184	4685	38	965	5/6	12100	5500
TT	153	3875	81	2045	208	5290	28	705	5/6	12100	5500
	162	4125	84	2135	219	5555	31	795	5/6	11850	5425
	180	4575	90	2285	236	6005	37	945	5/6	11500	5250
	198	5025	96	2435	254	6455	43	1095	5/6	11150	5100
	216	5475	102	2585	272	6905	49	1245	5/6	11150	5050
	233	5925	108	2735	290	7355	55	1395	5/6	10300	4650
	251	6375	114	2885	307	7805	61	1545	5/6	6800	3075

CGC55C-9 BCS

Mast Type	Maximum Fork Height		Maximum Lowered Height		Fully Extended Height		Free Lift		Tilt Angle	LB @24" LC	KG @24" LC
	in	mm	in	mm	in	mm	in	mm	FWD/BWD		
TL	108	2750	86	2185	164	4165	7	170	5/6	12100	5500
	120	3050	92	2335	176	4465	7	170	5/6	12100	5500
	134	3400	99	2510	190	4815	7	170	5/6	12100	5500
	148	3750	112	2835	203	5165	7	170	5/6	12100	5500
TF	130	3300	91	2305	184	4685	38	965	5/6	12100	5500
TT	153	3875	81	2045	208	5290	28	705	5/6	12100	5500
	162	4125	84	2135	219	5555	31	795	5/6	11850	5425
	180	4575	90	2285	236	6005	37	945	5/6	11500	5250
	198	5025	96	2435	254	6455	43	1095	5/6	11150	5100
	216	5475	102	2585	272	6905	49	1245	5/6	11150	5050
	233	5925	108	2735	290	7355	55	1395	5/6	10500	4700
	251	6375	114	2885	307	7805	61	1545	5/6	6800	3075

Note: Specification values quoted in this spec sheet have been rounded. Performance may vary due to operating conditions. Products and specifications are subject to improvement and change without prior notice.

Standard Features

1. Kubota 3.8 liter 4 cylinder LPG engine compliant to current EPA and CARB Standards
2. 1 Speed Powershift transaxle with autoshift controller
3. One piece cast iron drive axle housing with reinforced mast mounts
4. Oil-cooled disc brakes. 5 yr. 10,000 hr. warranty
5. Dual serpentine core radiator – provides separate cooling for the engine and transmission
6. Switch-activated electronic parking brake
7. Heavy duty steer axle including large king pins with tapered roller bearings
8. Operator Design Features
 - Wide spacious floorboard with thick rubber floor mat
 - Suspension seat with hip restraint and high visibility seatbelt
 - Operator Safety System (OSS)
 - Rear grab bar with horn button
 - Fasten Seat Belt indicator
 - Low front cowl/dash optimizes site lines
 - Clear view OHG and mast
 - Low step height
 - Tilt steering column with small steering wheel and steer knob
9. Round View Mirror
 - Two front headlights - LED
 - Easy to read large LED display. Operator PIN code programmable and economy mode selectable
10. ISO3691 control valve. If operator gets off truck or turns truck off, the mast will not allow lowering
11. Electronic parking brake system

Optional Equipment

1. Heavy duty cooling package
2. Rear view camera (Key-on activated)
3. Back-up camera (Reverse lever activated)
4. Cup holder
5. Clip board
6. Operator fan
7. Fire extinguisher
8. LED light packages
9. Travel light package
10. Pre-cleaner
11. Low fuel warning light
12. Vented side panels (Standard on box car models)
13. Dual open (cotton) core radiator - provides separate cooling for the engine and transmission
14. Panoramic mirror
15. Single and double hydraulic quick disconnects
16. Weight scale (Not legal for trade)
17. Ground speed control
18. UL rated LP to LPS
19. Floor spot light (blue light)
20. InfoLink®ready

Heavy Duty Cooling Package

Heavy duty cooling package is an option for both the standard and box car models.

The heavy duty cooling package includes, dual open (cotton) core radiator, radiator screen, vented side panels, pre-cleaner, under chassis protection, larger fan and shroud, and ground (top) speed control.

Note: Dual Open Core Radiator provides separate cooling for the engine and transmission. This is also known as Dual Cotton Core Radiator. This design incorporates larger openings for debris to pass through more easily.

Warning Device Options

Audible or Visual Alerts

Safety considerations and dangers associated with audible travel alarms and lights include:

- Multiple alarms and/or lights may cause confusion.
- Workers ignore the alarms and/or lights after day-in and day-out exposure.
- Operators may transfer the responsibility for "looking out" to pedestrians.
- Annoys operators and pedestrians.

Other Options Available

Contact factory for additional options.

Dimensions and performance data given may vary due to manufacturing tolerances. Performance is based on an average size vehicle and is affected by weight, condition of truck, how it is equipped and the conditions of the operating area. Crown products and specifications are subject to change without notice.

**Crown Equipment Corporation**

New Bremen, Ohio 45869 USA

Tel 419-629-2311

Fax 419-629-3796

crown.com

You can count on Crown to build lift trucks designed for safe operation, but that's only part of the safety equation. Crown encourages safe operating practices through ongoing operator training, safety-focused supervision, maintenance and a safe working environment. Go to crown.com and view our safety section to learn more.

Because Crown is continually improving its products, specifications are subject to change without notice.

Crown, the Crown logo, the color beige, the Momentum symbol, and InfoLink are trademarks of Crown Equipment Corporation in the United States and other countries.

Copyright 2022 Crown Equipment Corporation
SF19752 Rev. 04-22
Printed in U.S.A.