

RS 5-19 GEN:3

RS

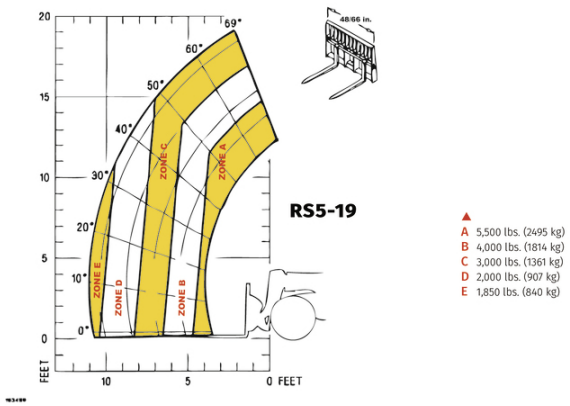


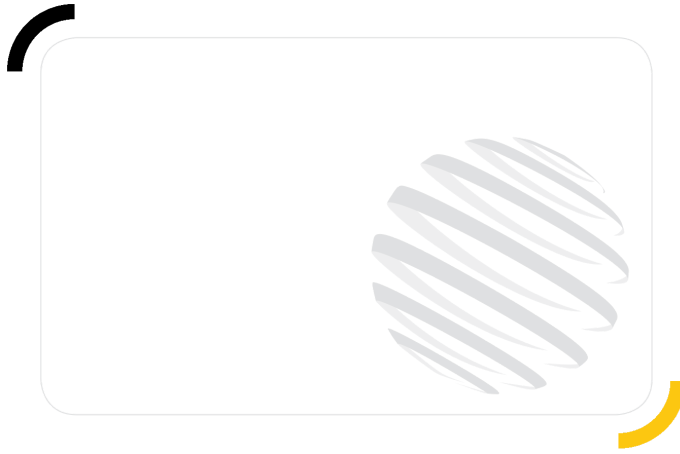
GEHL®

Capacities		Imperial
Max. capacity		5500 lb
Max. lifting height		19 ft 1 in
Max. outreach		11 ft
Weight and dimensions		
Length to face of forks	l2	12 ft 4 in
Overall width	b1	5 ft 11 in
Overall height	h17	6 ft 4 in
Wheelbase	y	7 ft 6 in
Ground clearance	m4	10 in
Overall cab width	b4	28 in
Tilt-up angle	a4	12 °
Tilt-down angle	a5	100 °
External turning radius	Wa3	11 ft
Unladen weight (with forks)		9760 lb
Overall weight		10000 lb
Standard tires		12 x 16.5
Performances		
Lifting		8 s
Lowering		5 s
Extension		7 s
Retraction		6 s
Engine		
Engine brand		Yanmar
Engine norm		Tier 4 final
Engine model		4TNV98C
I.C. Engine power rating - Power		69 Hp / 50.10 kW
Max. torque / Engine rotation		173 ft/lbs @ 1625 rpm
Transmission		
Transmission type		Hydrostatic
Number of gears (forward / reverse)		2 / 2
Max. travel speed		15 mph
Parking brake		Hydraulic spring release SAHR
Service brake		Wet disc brakes
Axle Manufacturer		Dana
Hydraulics		
Hydraulic pump type		Gear pump
Hydraulic flow / Pressure		22 US gpm-3350 PSI
Tank capacities		
Engine oil		2 US gal
Hydraulic oil		18 US gal
Fuel tank		17 US gal
Miscellaneous		
Steering wheels (front / rear)		2 / 2
Drive wheels (front / rear)		2 / 2
Safety cab homologation		ROPS/FOPS
Controls		Single Joystick FNR

RS 5-19 GEN:3 - Load chart

Machine on tires with forks Imperial





GEHL®

Siège Social
P.O. Box 179 - One Gehl Way - West Bend, WI, USA 53095
Tel: (262) 334-9461 - Fax: (262) 338-7517
www.gehl.com



This brochure describes versions and configuration options for Gehl products which may be fitted with different equipment. The equipment described in this brochure may be standard, optional or not available depending on version. Gehl reserves the right to change the specifications shown and described at any time and without prior warning. The manufacturer is not liable for the specifications given. For more information, contact your Gehl dealer. Non-contractual document. Product descriptions may differ from actual products. List of specifications is not comprehensive. The logos and visual identity of the company are the property of Gehl and may not be used without authorization. All rights reserved. The photos and diagrams contained in this brochure are provided for information only.

MANITOU EQUIPMENT AMERICAS, LLC - Limited company with board of directors - Share capital: 39,668,399 euros - 857 802 508 RCS West Bend