

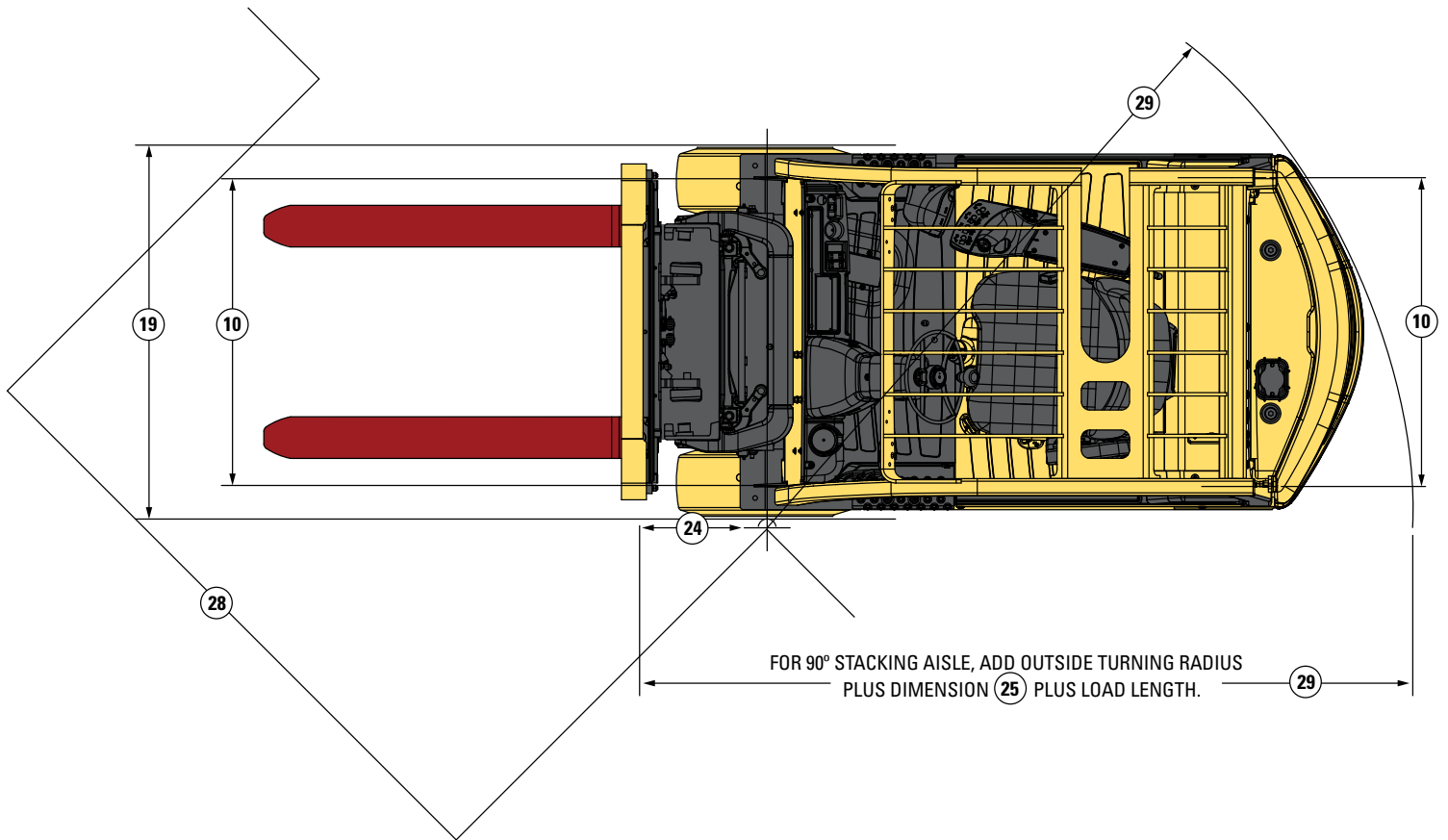
E50-60XNL SERIES



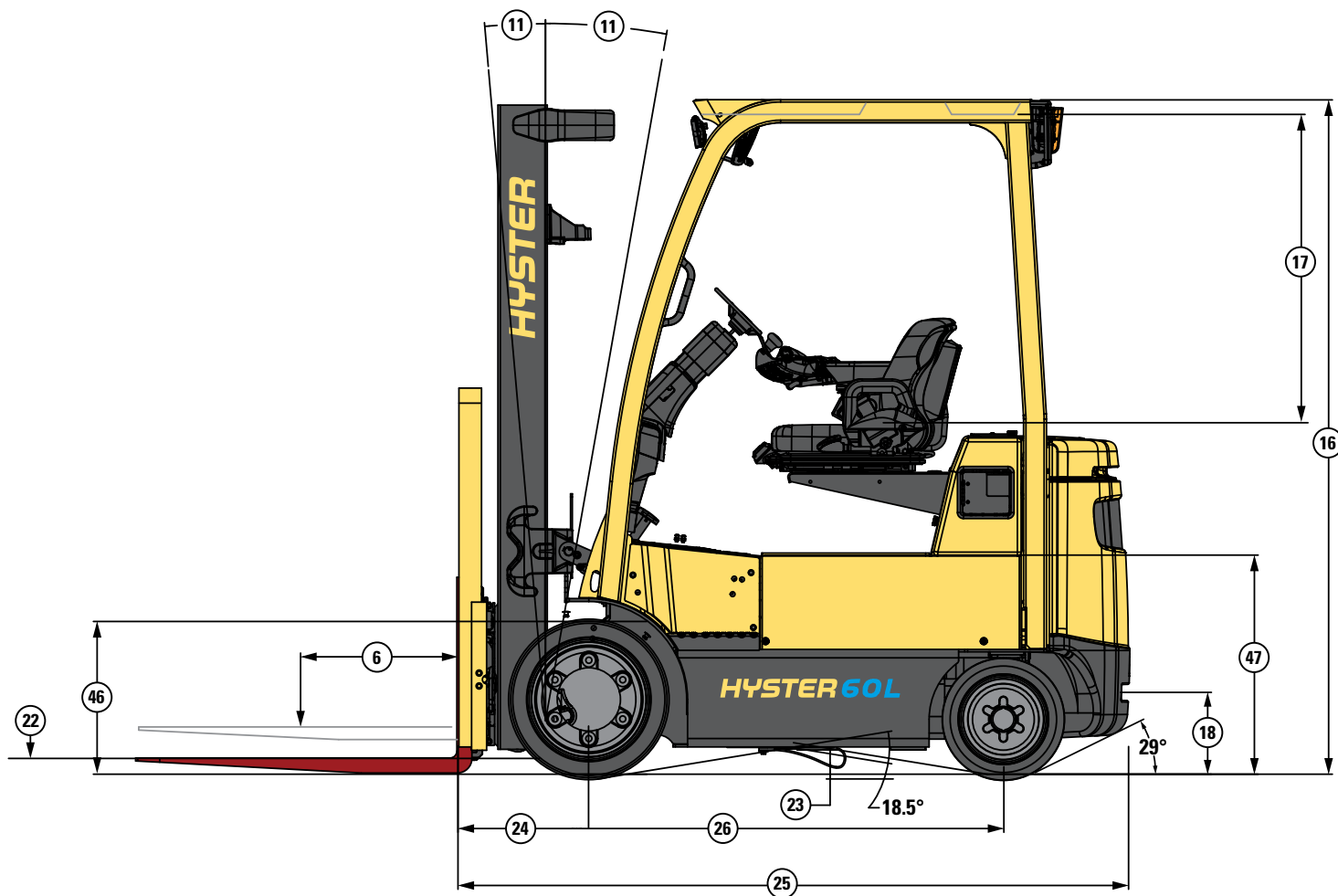
**INTEGRATED LITHIUM-ION
COUNTERBALANCED FORKLIFT**
PRODUCT TECHNICAL GUIDE



DIMENSIONS



Circled dimensions correspond to the line numbers on the tabulated chart inside the technical guide.
Dimensions are in inches (millimeters).



Circled dimensions correspond to the line numbers on the tabulated chart inside the technical guide.
Dimensions are in inches (millimeters).

E50-60XNL SPECIFICATIONS

GENERAL				Hyster	
1	Manufacturer			Hyster	
2	Model designation			E50XNL	E60XNL
3	Power			Electric	
4	Operation			Sit	
5	Rated capacity	lb (kg)		5000 (2268)	6000 (2722)
6	Load center	in (mm)		24 (610)	
TIRES				Cushion / Cushion	
7	Tire type - cushion, solid, pneumatic, etc.	Drive/steer		Cushion / Cushion	
8	Tire size	Drive/steer		21 x 7 x 15 / 16 x 5 x 10.5	21 x 8 x 15 / 16 x 6 x 10.5
9	Wheels - number	X=Driven	Drive/steer	2X / 2	
10	Tread	Tires	Std dr/wide dr/steer	35.1/41.9/37 (892/1064/940)	35.6/40.9/36 (905/1039/915)
DIMENSIONS					
11	Mast tilt	Std opt opt		5F/5B 10F/5B (5F/4B)	
12	Mast - lowered height	Std mast		83 (2085)	
13	Free lift - top of fork	Std 2 stg limited free lift mast		5 (140)	
	Opt 2 stg full free lift mast with/without LBR			33/60 (860/1525)	33/56 (855/1440)
14	Lift height - top of fork	Std 2 stg limited free lift mast		125 (3192)	118 (3009)
15	Mast - extended height	Std mast with/without LBR		174/148 (4415/3740)	167/144 (4235/3655)
16	Overhead guard height	Std/drive in rack/opt/opt flat plate		88.5/88.5/86.5/84.1 (2248/2248/2197/2137)	
17	SIP to bottom std OHG	Susp at mid-point	Std/susp/swivel	39.9/38.9/38.8 (1014/989/987)	
18	Tow pin height	Vertical center of pin		11 (280)	
19	Overall width	Standard tread/wide tread		42.1/48.9 (1070/1242)	43.6/48.9 (1108/1242)
20	Forks	Thickness x width x length		1.6 x 3.9 x 42 (40 x 100 x 1067)	2 x 4.9 x 42 (50 x 125 x 1067)
21	Standard carriage width	Class II		38.5 (977)	
22	Ground clearance	Lowest point	NL/RL	3.6/3.3 (91/85)	
23	Ground clearance	Center of truck	NL/RL	3.9/3.6 (98/92)	3.7/3.6 (94/92)
24	Load distance	Center of wheel to face of forks		15.4 (390)	15.8 (402)
25	Length to face of forks	Chassis length		84.3 (2143)	86.5 (2199)
26	Wheelbase			54.2 (1377)	
27	Right angle stack			137.5 (3493)	139.2 (3536)
28	Equal aisle	90° Intersecting aisle		73.1 (1858)	74.2 (1885)
29	Outside turning radius			74.2 (1884)	75.4 (1915)
WT.					
30	Truck weight	NL		9180 (4170)	10240 (4650)
31	Axle loading - drive	Static w/ max. wt. battery	NL/RL	4090/1860 (12730/1460)	4180/1900 (14590/6620)
32	Axle loading - steer	Static w/ max. wt. battery	NL/RL	5100/2315 (5780/665)	6070/2755 (6620/755)
PERFORMANCE					
33	Travel speed	Extended shift OFF	NL/RL	12.3/12.5 (19.8/20.1)	
		Extended shift ON	NL/RL	12.2/12.2 (19.7/19.7)	12.2/12.1 (19.7/19.4)
34	Lift speed	Std 2 stg LFL mast	NL/RL	142/96 (0.72/0.49)	124/83 (0.63/0.42)
		Opt 2 stg FFL mast	NL/RL	130/93 (0.66/0.47)	116/81 (0.59/0.41)
		Opt 3 stg FFL mast	NL/RL	134/94 (0.68/0.48)	118/81 (0.6/0.41)
		Opt 4 stg FFL mast	NL/RL	136/94 (0.69/0.48)	
35	Lower speed	Std 2 stg LFL mast	NL/RL	100/112 (0.51/0.57)	91/110 (0.46/0.56)
		Opt 2 stg FFL mast	NL/RL	91/106 (0.46/0.54)	73/102 (0.37/0.52)
		Opt 3 stg FFL mast	NL/RL	93/108 (0.47/0.55)	79/104 (0.4/0.53)
		Opt 4 stg FFL mast	NL/RL	77/91 (0.39/0.46)	
36	Gradeability	5 minute rating	NL/RL	39/33	36/28
		60 minute rating	NL/RL	32/19	29/16
37	Drawbar pull	5 minute rating	NL/RL	3773/4926	3883/4830
		60 minute rating	NL/RL	3208/2993	3181/2912
38	Brake	Method of control	Service/parking	Hydraulic/mechanical	
		Method of operation	Service/parking	Foot/foot	
39	Battery	Type		Lithium-ion	
				80	
ELECTRIC					
40	Traction motor	60 minute rating		31.6 (23.6)	
41	Pump motor	15% rating		32.2 (24)	
42	Traction motor	Type/control method		AC/transistor	
43	Pump motor	Type/control method		AC/transistor	
44	Number of speeds	Traction/pump		Infinitely variable/Infinitely variable	
OTHER					
45	Step height			18.7 (475)	
46	Floor height	Lowest point		27.4 (696)	
47	Attachment relief pressure			2250 (155)	
48	Auxiliary oil flow	3rd and 4th function		11 (40)	
49	Sound level	Measured per ANSI B56.11.5		65	

The following chargers are approved to use with the E50-60XNL lithium-ion battery:

- Posicharge ProCORE (80V) - 10kW, 15kW, 20kW or 30kW single cable
- EcoTec Fast Charge Access (80V) - 80-500-32FC or 80-650-32FC

NL = no load, RL = rated load

Above specifications, unless otherwise listed, are for a standard truck without optional equipment. Right angle stack and equal intersecting aisle are calculated using a 40° wide pallet.

E50XNL MAST DIMENSIONS

Maximum fork height (TOF)	Overall lowered height	Overall extended height		Free lift (TOF)		Approx. total wt. of standard equipped truck
		w/ Load backrest	w/o Load backrest	w/ Load backrest	w/o Load backrest	E50XNL
in (mm)	in (mm)	in (mm)	in (mm)	in (mm)	in (mm)	lb (kg)

2-STAGE LIMITED FREE LIFT (LFL) VISTA®PLUS MAST

125 (3192)	83 (2085)	174 (4415)	147 (3749)	5 (140)	5 (140)	9180 (4170)
133 (3392)	86 (2185)	182 (4615)	155 (3949)	5 (140)	5 (140)	9220 (4185)
137 (3492)	88 (2235)	186 (4715)	159 (4049)	5 (140)	5 (140)	9240 (4195)

2-STAGE FULL FREE LIFT (FFL) VISTA® MAST

126 (3202)	83 (2085)	175 (4425)	148 (3759)	33 (862)	60 (1528)	9220 (4185)
133 (3402)	86 (2185)	183 (4625)	155 (3959)	37 (964)	64 (1628)	9260 (4205)
137 (3502)	88 (2235)	186 (4725)	159 (4059)	39 (1012)	66 (1678)	9280 (4215)

3-STAGE FULL FREE LIFT (FFL) VISTA®PLUS MAST

189 (4800)	83 (2085)	238 (6023)	210 (5399)	33 (862)	60 (1546)	9560 (4340)
194 (4950)	85 (2135)	243 (6173)	216 (5489)	36 (917)	62 (1596)	9580 (4350)
200 (5100)	88 (2235)	249 (6323)	222 (5639)	39 (1012)	66 (1696)	9630 (4370)
218 (5550)	94 (2385)	267 (6773)	239 (6089)	45 (1162)	72 (1846)	9720 (4415)
236 (6000)	102 (2585)	285 (7223)	257 (6539)	53 (1362)	80 (2046)	9910 (4500)

4-STAGE FULL FREE LIFT (FFL) VISTA® MAST

240 (6098)	84 (2133)	289 (7321)	263 (6678)	35 (910)	61 (1553)	10100 (4585)
252 (6404)	88 (2235)	301 (7627)	275 (6984)	39 (1012)	65 (1655)	10160 (4610)
264 (6710)	92 (2336)	313 (7933)	287 (7290)	43 (1113)	69 (1756)	10220 (4640)

E60XNL MAST DIMENSIONS

Maximum fork height (TOF)	Overall lowered height	Overall extended height		Free lift (TOF)		Approx. total wt. of standard equipped truck
		w/ Load backrest	w/o Load backrest	w/ Load backrest	w/o Load backrest	E60XNL
in (mm)	in (mm)	in (mm)	in (mm)	in (mm)	in (mm)	lb (kg)

2-STAGE LIMITED FREE LIFT (LFL) VISTA®PLUS MAST

118 (3009)	83 (2085)	167 (4237)	143 (3654)	5 (150)	5 (150)	10240 (4650)
126 (3209)	86 (2185)	175 (4437)	151 (3854)	5 (150)	5 (150)	10280 (4665)
130 (3309)	88 (2235)	179 (4537)	155 (3954)	5 (150)	5 (150)	10300 (4675)

2-STAGE FULL FREE LIFT (FFL) VISTA® MAST

118 (3010)	83 (2085)	167 (4237)	144 (3655)	33 (857)	56 (1440)	10280 (4665)
126 (3210)	86 (2185)	175 (4437)	151 (3855)	37 (957)	60 (1540)	10320 (4685)
130 (3310)	88 (2235)	179 (4537)	155 (3955)	39 (1007)	62 (1590)	10340 (4695)

3-STAGE FULL FREE LIFT (FFL) VISTA®PLUS MAST

175 (4468)	83 (2085)	225 (5696)	200 (5095)	33 (857)	57 (1458)	10610 (4815)
181 (4618)	85 (2135)	231 (5846)	206 (5245)	35 (907)	59 (1508)	10640 (4830)
187 (4768)	88 (2235)	237 (5996)	212 (5395)	39 (1007)	63 (1608)	10660 (4840)
205 (5218)	94 (2385)	254 (6446)	230 (5845)	45 (1157)	69 (1758)	10770 (4890)
223 (5668)	102 (2585)	272 (6896)	248 (6295)	53 (1357)	77 (1958)	10910 (4955)

4-STAGE FULL FREE LIFT (FFL) VISTA® MAST

240 (6098)	84 (2133)	289 (7321)	263 (6678)	35 (910)	61 (1553)	11000 (4995)
252 (6404)	88 (2235)	301 (7627)	275 (6984)	39 (1012)	65 (1655)	11060 (5020)
264 (6710)	92 (2336)	313 (7933)	287 (7290)	43 (1113)	69 (1756)	11120 (5050)

BATTERY SPECIFICATIONS

The table below is a helpful guide to visualize the truck run time with different batteries in different applications. (Chart is a guide only and not a replacement for a site survey and full power study.)

Heavy – High throughput, typically runs full capacity, runs either attachments or has high lifts

Medium – High throughput, runs near capacity without attachments or high lifts

Light – lower throughput, runs less than rated capacity without attachments or high lifts

Note: Run time is from 100% to lift-lock out. Charge time is from lift-lock out to 100%. Charge times with * are limited to 1C charging (i.e. cannot charge faster than 1 hour).

E50XNL BATTERY RUN TIME			
APPLICATION	BATTERY SIZE		
	33.6kWh	25.2kWh	16.8kWh
Heavy	7h 15m	5h 30m	3h 30m
Medium	10h 15m	7h 45m	5h 0m
Light	13h 45m	10h 15m	6h 45m

E60XNL BATTERY RUN TIME			
APPLICATION	BATTERY SIZE		
	33.6kWh	25.2kWh	16.8kWh
Heavy	6h 45m	5h 0m	3h 15m
Medium	9h 45m	7h 15m	4h 45m
Light	13h 0m	9h 45m	6h 30m

E50-60XNL BATTERY CHARGE TIME			
CHARGER SIZE	BATTERY SIZE		
	33.6kWh	25.2kWh	16.8kWh
30kW	1h 15m	1h 0m*	1h 0m*
20kW	1h 45m	1h 15m	1h 0m*
15kW	2h 15m	1h 45m	1h 15m
10kW	3h 30m	2h 45m	1h 45m
5kW	6h 45m	5h 15m	3h 30m

FEATURES AND OPTIONS

PERFORMANCE	STD	OPT
80V electrical system	x	
80V @ 420Ah battery	x	
80V @ 315Ah battery		x
80V @ 210Ah battery		x
Premium performance package	x	
AC traction and pump motors (completely brushless)	x	
Transistor drive and pump control	x	
Advanced VSM (vehicle system manager)	x	
Progressive thermal management system	x	
DRIVE	STD	OPT
Smooth tread rubber drive tire and steer tire	x	
Non-marking, rubber, or lug tread tires		x
Wide tread tires		x
LIFT	STD	OPT
2-stage limited free lift (LFL) Hi-Vis™2 mast with maximum fork height of 125" (3192mm) (E50XNL) or 118" (4800mm) (E60XNL)	x	
Mast tilt option – 5° forward/5° back	x	
2-stage full free lift (FFL) Hi-Vis™ mast		x
3-stage full free lift (FFL) Hi-Vis™2 mast		x
4-stage full free lift (FFL) Hi-Vis™ mast		x
Mast tilt option – 10° forward/5° back		x
Mast tilt option – 5° forward/4° back		x
HANDLING	STD	OPT
38.5" (980 mm) wide Class II (E50XNL) or Class III (E60XNL) hook-type carriage with 38.5" (980 mm) high load backrest extension	x	
42" (1067 mm) long forks	x	
Carriage with integral sideshift		x
Carriage with integral sideshifting fork positioner		x
Attachment carriages		x
Return to set tilt		x
Accumulator		x
Load weight indicator		x
Hydraulic attachment extension tubes with quick disconnect fittings		x
ERGONOMICS	STD	OPT
12" steering wheel with integral spinner knob	x	
Non-suspension vinyl seat	x	
Black, non-cinch seat belt with Emergency Locking Retractor	x	
Foot applied/hand released park brake	x	
MONOTROL® foot direction control	x	
On-demand power steering	x	
Power assist braking	x	
Auto Deceleration System (ADS) with regenerative braking	x	
Multifunction display	x	
Easy ingress/egress with low step height and contoured handhold	x	
Operator convenience station - storage areas, beverage & clipboard holders	x	
TouchPoint electro-hydraulic mini-lever controls with fully adjustable armrest	x	
Adjustable tilt steering column with low profile cowl	x	
Cushioned floor mat	x	

ERGONOMICS (continued)	STD	OPT
Seaside power disconnect button	x	
Cooler/freezer package—operating temp: -20°F to +120°F		x
Air ride suspension seat		x
Non-suspension seat (cloth)		x
Full-suspension seat (vinyl or cloth)		x
Full-suspension swivel seat (vinyl or cloth)		x
Seaside directional control		x
Automatic electro-mechanical park brake		x
Telescopic steering column with tilt memory		x
LED and halogen work light packages		x
LED dome/reading light		x
Basic & premium LED brake/tail/back-up light packages		x
Key switch controlled lights		x
Rear drive handle with integrated horn button		x
Mirrors – dual side view or panoramic		x
Low mount display		x
OPERATION	STD	OPT
Standard construction	x	
Key switch start	x	
88.5" grid style overhead guard	x	
3-function hydraulic control valve	x	
Fully integrated CANbus communication	x	
Hyster Stability System (HSS®)	x	
Static strap	x	
Tow pin	x	
On-board software: program, test & diagnose; password protected	x	
Electronic horn with integral relay (long life/no adjustments)	x	
4-function hydraulic control valve		x
86.5" grid style overhead guard		x
84.1" flat plate overhead guard		x
88.5" drive-in rack grid style overhead guard		x
Keyless start (with auxiliary key switch)		x
Audible alarm – reverse operation (manually adjustable to 87, 97 or 102 dB)		x
Visible amber strobe light - continuous activated, overhead guard mounted		x
Impact monitor		x
Operator password		x
Operator daily checklist		x
System monitor – hydraulic low fluid level indicator and hydraulic filter service indicator		x
Fire extinguisher – 2.5 lb. dry chemical		x
Synchronous steering		x
Red, high-visibility, non-cinch seat belt with or without start interlock		x
Hyster Reaction™		x
SUPPLEMENTAL	STD	OPT
12 month/2,000 hour full truck warranty	x	
36 month/6,000 hour powertrain warranty	x	
84 month/12,000 hour lithium-ion battery warranty	x	
Operating manual	x	



Hyster Company
P.O. Box 7006, Greenville, North Carolina 27835-7006

Visit us online at www.hyster.com or call us at **1-800-HYSTER-1**.

© Hyster Company. 2022, all rights reserved. Hyster and  are trademarks of Hyster-Yale Group, Inc.

Hyster products are subject to change without notice. Trucks may be shown with optional equipment.

CERTIFICATION: Hyster lift trucks meet the design and construction requirements of B56.1-1969, per OSHA Section 1910.178(a)(2), and also comply with the B56.1 revision in effect at time of manufacture. Certification of compliance with the applicable ANSI standards appears on the lift truck. Performance specifications are for a truck equipped as described under Standard Equipment on this Technical Guide. Performance specifications are affected by the condition of the vehicle and how it is equipped, as well as by the nature, condition of the operating area, proper service and maintenance of the vehicle. If these specifications are critical, the proposed application should be discussed with your dealer.