

SKYTRAK[®]

Illustrated Parts Manual

Model
3013

PVC
1911

P/N
31211478
June 1, 2023 - Rev D

ANSI

JLG[®]

An Oshkosh Corporation Company

EFFECTIVITY PAGE

May 8, 2020 - A - Original Issue of Manual

May 1, 2021 - B - Revised Manual (Edited to 1001259966 Rev D)

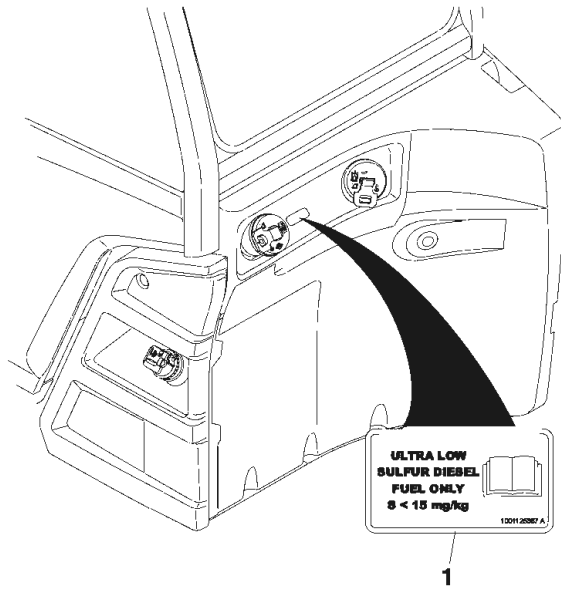
March 31, 2022 - C - Revised Manual (Edited to 1001259966 Rev E)

June 1, 2023 - D - Revised Manual (Edited to 1001259966 Rev E)

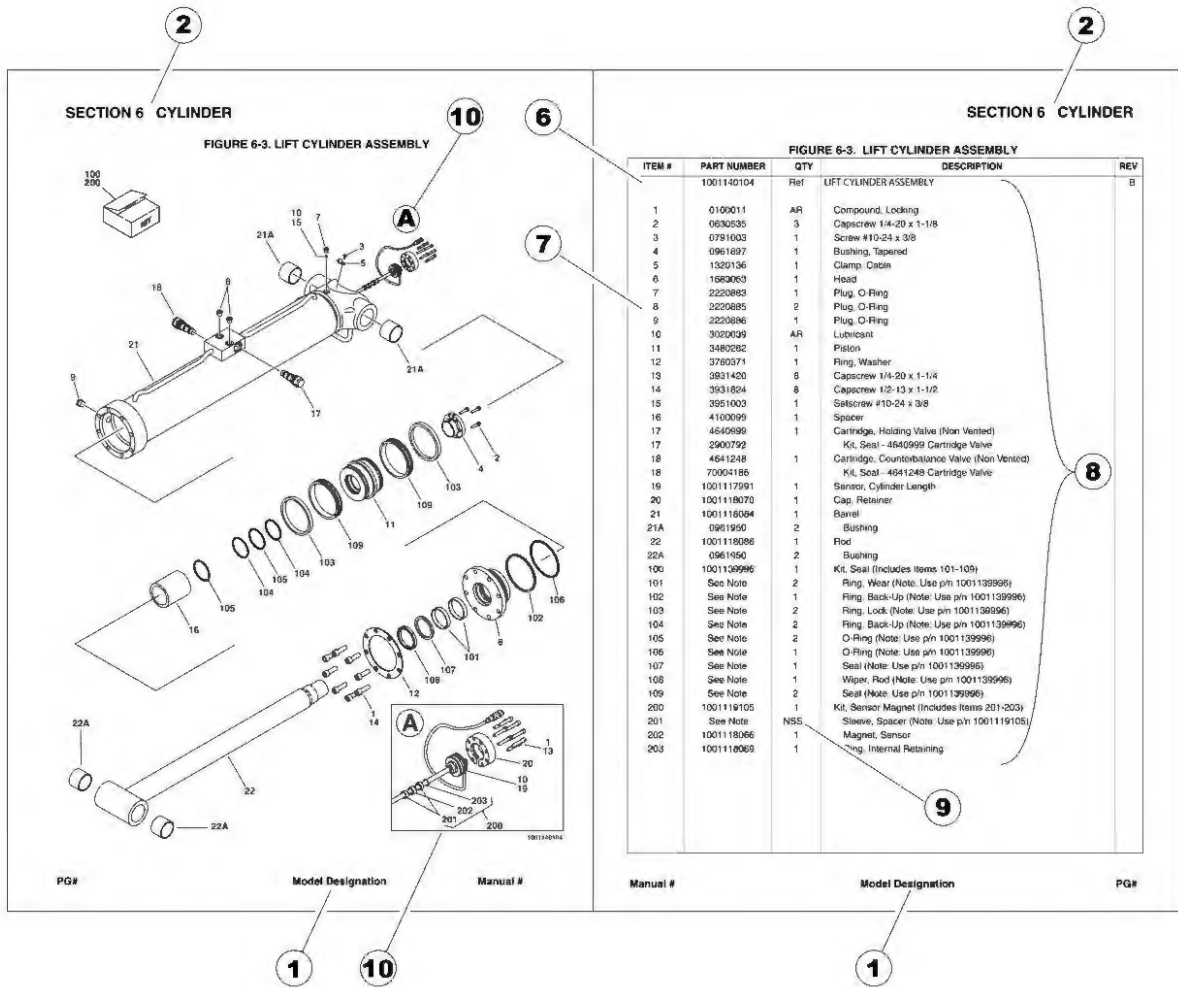
Machine Configuration

Two configurations of each machine are included in this manual. Determine if machine is equipped with Ultra Sulfur Fuel Decal (1) as indicated below.

- If equipped with the Ultra Low Sulfur decal, all specific references to this machine configuration will be referred to as Ultra Low Sulfur (ULS) from this point forward.
- If not equipped with the Ultra Low Sulfur decal, all specific references to this machine configuration will be referred to as Low Sulfur (LS) from this point forward.



GENERAL INFORMATION



1) MACHINE IDENTIFICATION

Machines are identified by model and in some cases a combination of models, serial number (SN) or regional standard (i.e ANSI, CE, CSA). Components may also be identified by SN or manufacturer. Common components that may be identified by these characteristics are engines and hydraulic components.

2) PARTS MANUAL ORGANIZATION

Product information in this manual is organized under section titles. Frame, Cylinder, Hydraulic and Electrical are a few examples. Each section is organized by figure and page number. The information within the Figure is then organized by item number, part number, description and corresponding illustration (s).

3) TABLE OF CONTENTS (NOT SHOWN)

A table of contents is found toward the beginning of the manual. Figure number, description and page number are provided for quick reference to the page containing the related information.

4) RECOMMENDED SPARE PARTS (NOT SHOWN)

The Recommended Spare Parts List, located near the end of the manual, reference most frequently used maintenance parts.

5) PART NUMBER INDEX (NOT SHOWN)

A numerical index listing all part numbers and the corresponding page number(s) appears at the back of the manual.

GENERAL INFORMATION

6) NON-SERVICED PARTS

In some instances, it is necessary to display non-serviced parts, assemblies or installations. In the case of assemblies and installations there will be a Ref in the Qty. column. In case of parts that are not available for service within assemblies or components, there will be a NSS (Not Sold Separately) or NLA (No Longer Available) listed in the Qty. column of the manual.

7) PARTS LIST ITEM NUMBERS

Numbers shown in the item# column correspond to numbers used in the associated illustration (s). Item numbers which are missing from the sequence in the parts list are not used on that page.

8) INDENTED PARTS DESCRIPTION

An indented part description is included in the item under which it is indented.

9) ABBREVIATION AND SYMBOLS

AC.....	Alternating Current	L.....	Liter
ADE.....	Advanced Design Electronics	LB(LBS).....	Pounds
AG.....	Agricultural	LCD.....	Liquid Crystal Display
ANSI.....	American National Standards Institute	LED.....	Light Emitting Diodes
AR.....	As Required	LH.....	Left Hand
ASSY.....	Assembly	LRC.....	Low Rated Countries
AUS.....	Australia	LSS.....	Load Sensing System
AUX.....	Auxiliary	M(m).....	Metric/Meter
AWG.....	American Wire Gauge	MM(mm).....	Milimeter
B/M.....	Bill of Material	mA.....	Miliamps
CAC.....	Charge Air Cooler	NLA.....	No Longer Available
CE.....	European Conformity	NPT.....	National Pipe Threads
CCW.....	Counter Clockwise	NSS.....	Not Sold Separately
CM.....	Centimeter	OD.....	Outside Diameter
CW.....	Clockwise	ORB.....	O-Ring Boss
CSA.....	Canadian Standards Association	ORFS.....	O-Ring Face Seal
CYL.....	Cylinder	OZ (oz).....	Ounces
DIA.....	Diameter	PG.....	Page
DC.....	Direct Current	PN.....	Part Number
DEF.....	Diesel Exhaust Fluid	QT(qt.).....	Quarts
EMS.....	Emergency Stop	QTY.....	Quantity
ENG.....	Engine	REF.....	Reference
FT(ft).....	Feet	REV.....	Revision Level
GA(Ga).....	Gauge	RH.....	Right Hand
HRC.....	High Rated Countries	SAE.....	Society of Automotive Engineers
HVAC.....	Heating, Ventilating, and Air Conditioning	SN.....	Serial Number
HYD.....	Hydraulic	SPEC(S).....	Specifications
Hz.....	Hertz	T/T.....	Turntable
ID.....	Inside Diameter	UGM.....	Universal Ground Module
IN.....	inches	V.....	Volts
ISO.....	International Organization for Standards	W.....	Watts
JIC.....	Joint Industry Council	#.....	Number
KG.....	Kilogram		

10) ILLUSTRATION REFERENCE LETTERS

When necessary, illustrations may contain reference letters that are intended to track information (i. e. hoses, harnesses) from one point to another or to track visual enlargement of components to show details that may be located in another area on the illustration.

Note: Due to continuous product improvements, JLG Industries, Inc. reserves the right to make specification changes without prior notification. Contact JLG Industries, Inc. for updated information.

TABLE OF CONTENTS

SECTION 1 - FRAME AND ATTACHING PARTS.....	9
FIGURE 1-1. COUNTERWEIGHT INSTALLATION.....	10
FIGURE 1-2. ENGINE ENCLOSURE INSTALLATION.....	12
FIGURE 1-3. MIRROR INSTALLATION.....	14
FIGURE 1-4. HITCH 2IN BALL INSTALLATION.....	16
SECTION 2 - BOOM.....	19
FIGURE 2-1. BOOM INSTALLATION.....	20
FIGURE 2-2. BASE BOOM ASSEMBLY.....	22
FIGURE 2-3. FLY BOOM ASSEMBLY.....	24
FIGURE 2-4. UPRIGHT TOWER ASSEMBLY.....	26
FIGURE 2-5. COUPLER INSTALLATION (MANUAL).....	28
FIGURE 2-6. COUPLER INSTALLATION (HYDRAULIC).....	30
FIGURE 2-7. BOOM AUXILIARY INSTALLATION.....	32
FIGURE 2-8. BOOM PROP INSTALLATION.....	34
SECTION 3 - ATTACHMENTS.....	37
FIGURE 3-1. BUCKET (1400MM).....	38
FIGURE 3-2. BUCKET - GENERAL PURPOSE (1400MM).....	40
FIGURE 3-3. CARRIAGE ASSEMBLY (1045MM).....	42
FIGURE 3-4. CARRIAGE ASSEMBLY (1050MM).....	44
FIGURE 3-5. CARRIAGE BACKREST INSTALLATION.....	46
FIGURE 3-6. FORK - PALLET (35X100X1000MM).....	48
FIGURE 3-7. FORK - PALLET (35X100X1200MM).....	50
SECTION 4 - ENGINE AND ATTACHING PARTS.....	53
FIGURE 4-1. ENGINE SYSTEMS INSTALLATION.....	54
FIGURE 4-2. KUBOTA ENGINE INSTALLATION.....	56
FIGURE 4-3. KUBOTA ENGINE ASSEMBLY.....	58
FIGURE 4-4. EXHAUST INSTALLATION.....	60
FIGURE 4-5. AIR CLEANER INSTALLATION.....	62
FIGURE 4-6. COOLING PACKAGE INSTALLATION.....	64
FIGURE 4-7. ENGINE MOUNTING INSTALLATION.....	66
FIGURE 4-8. FUEL SYSTEM AND CONTROL INSTALLATION.....	68
SECTION 5 - DRIVE TRAIN.....	71
FIGURE 5-1. DRIVETRAIN INSTALLATION.....	72
FIGURE 5-2. TRANSMISSION AND PUMP INSTALLATION.....	74
FIGURE 5-3. FRONT AXLE INSTALLATION.....	76
FIGURE 5-4. FRONT AXLE ASSEMBLY.....	78
FIGURE 5-5. PINION ASSEMBLY - FRONT AXLE.....	80
FIGURE 5-6. REAR AXLE INSTALLATION.....	82
FIGURE 5-7. REAR AXLE ASSEMBLY.....	84
FIGURE 5-8. TIRE SET - 11.0/65X12 PNEUMATIC.....	86
FIGURE 5-9. TIRE/WHEEL SET - 11.0/65X12 FOAM FILLED.....	88
FIGURE 5-10. TIRE/WHEEL SET - 26X12-12 TURF.....	90
FIGURE 5-11. TIRE/WHEEL SET - 27X10-12 PNEUMATIC.....	92
FIGURE 5-12. TIRE/WHEEL SET - 27X10-12 FOAM FILLED.....	94
SECTION 6 - CAB.....	97
FIGURE 6-1. CAB INSTALLATION - OPEN.....	98
FIGURE 6-2. CAB INSTALLATION - ENCLOSED.....	100
FIGURE 6-3. CAB STRUCTURE INSTALLATION.....	102
FIGURE 6-4. DASH INSTALLATION - OPEN CAB.....	104
FIGURE 6-5. DASH INSTALLATION - ENCLOSED CAB.....	106
FIGURE 6-6. SEAT INSTALLATION.....	108
FIGURE 6-7. GLASS INSTALLATION - OPEN CAB.....	110
FIGURE 6-8. GLASS INSTALLATION - ENCLOSED CAB.....	112
FIGURE 6-9. ENCLOSED CAB COMPONENTS INSTALLATION.....	114
FIGURE 6-10. GUARD INSTALLATION - FRONT CAB.....	118

TABLE OF CONTENTS

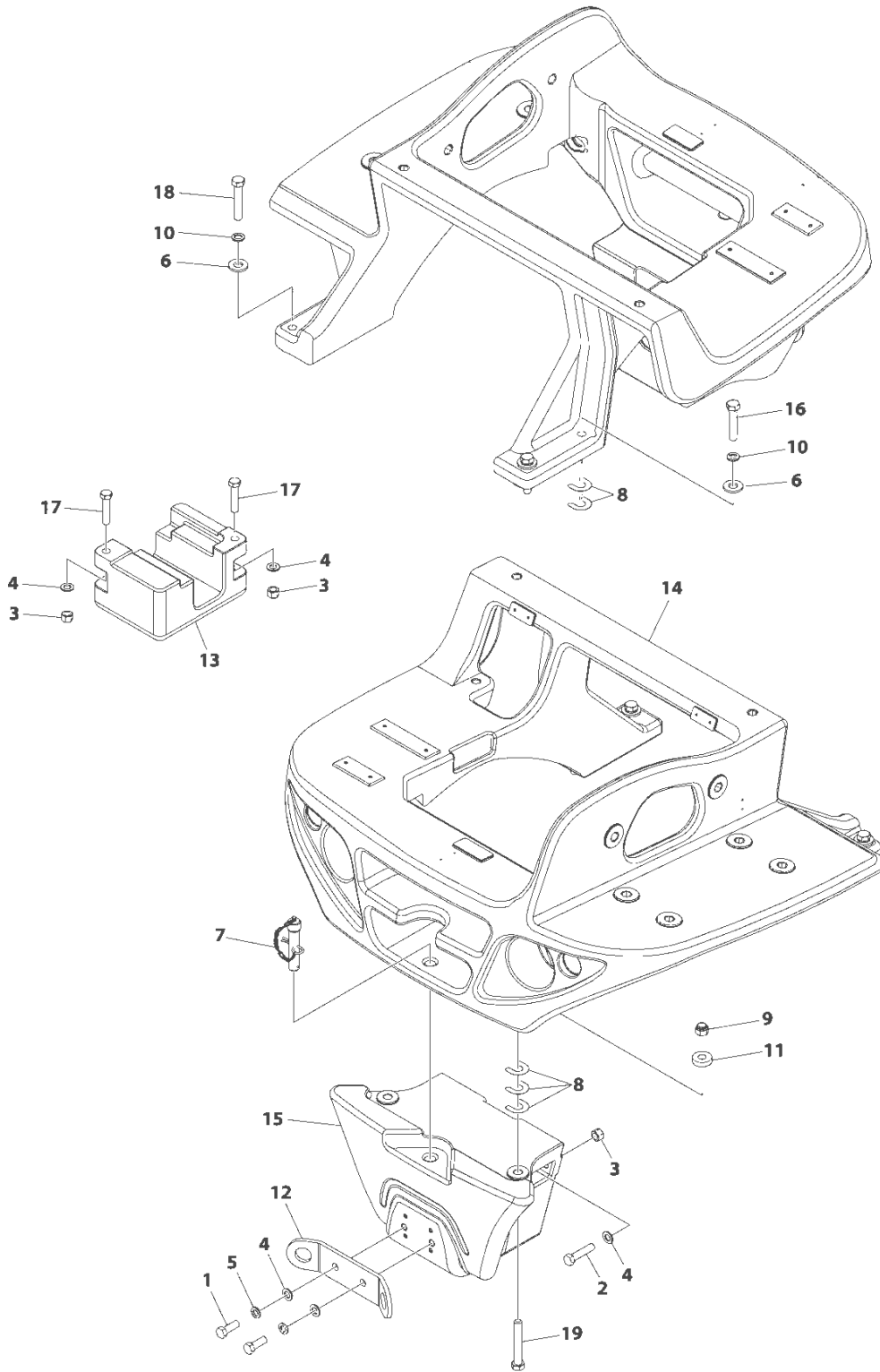
FIGURE 6-11. FUEL TANK INSTALLATION	120
FIGURE 6-12. WIPERS INSTALLATION – ROOF AND REAR WINDOW (ENCLOSED CAB)	122
SECTION 7 - CONTROLS.....	125
FIGURE 7-1. BRAKE SYSTEM INSTALLATION	126
FIGURE 7-2. JOYSTICK INSTALLATION.....	128
FIGURE 7-3. STEERING INSTALLATION.....	130
SECTION 8 - HYDRAULIC CIRCUITS	133
FIGURE 8-1. HOSES AND CLAMPS INSTALLATION	134
FIGURE 8-2. AUXILIARY/TILT HOSE INSTALLATION	136
FIGURE 8-3. BOOM AUXILAIRY COUPLING INSTALLATION	138
FIGURE 8-4. COUPLER HOSE INSTALLATION.....	140
FIGURE 8-5. FRAME HOSE INSTALLATION	142
FIGURE 8-6. JOYSTICK HOSES INSTALLATION	144
FIGURE 8-7. TRANSMISSION HOSES INSTALLATION	146
SECTION 9 - HYDRAULIC COMPONENTS	149
FIGURE 9-1. CYLINDER GROUP INSTALLATION.....	150
FIGURE 9-2. HYDRAULIC COMPONENTS INSTALLATION.....	152
FIGURE 9-3. FILTER INSTALLATION - HYDRAULIC.....	154
FIGURE 9-4. PUMP INSTALLATION.....	156
FIGURE 9-5. TANK INSTALLATION - HYDRAULIC.....	158
FIGURE 9-6. VALVES INSTALLATION	160
SECTION 10 - ELECTRICAL.....	163
FIGURE 10-1. MAIN ELECTRICAL INSTALLATION	164
FIGURE 10-2. MAIN HARNESS INSTALLATION.....	166
FIGURE 10-3. ALARM AND HORN INSTALLATION.....	168
FIGURE 10-4. BATTERY INSTALLATION.....	170
FIGURE 10-5. BEACON INSTALLATION.....	172
FIGURE 10-6. CAB ELECTRICAL INSTALLATION.....	174
FIGURE 10-7. CAB HARNESS.....	176
FIGURE 10-8. CAB DASH ELECTRICAL ASSEMBLY	180
FIGURE 10-9. CLEARSKY TELEMATICS 3-WIRE INSTALLATION (Prior to SN H160000305).....	182
FIGURE 10-10. CLEARSKY TELEMATICS 3-WIRE INSTALLATION (SN H160000305 to Present)	184
FIGURE 10-11. LIGHTS - WORKLIGHTS INSTALLATION (CAB MOUNTED)	186
FIGURE 10-12. LSI SENSOR INSTALLATION.....	188
SECTION 11 - DECALS	191
FIGURE 11-1. DECALS INSTALLATION (BRANDING).....	192
FIGURE 11-2. DECALS INSTALLATION (ANSI)	194
FIGURE 11-3. DECALS INSTALLATION (FRENCH).....	198
FIGURE 11-4. DECALS INSTALLATION (ISO)	200
FIGURE 11-5. LOADCHARTS (ANSI)	204
FIGURE 11-6. UNIVERSAL LOADCHARTS (ANSI)	206
FIGURE 11-7. LOADCHARTS METRIC	208
FIGURE 11-8. UNIVERSAL LOADCHARTS METRIC	210
SECTION 12 - RECOMMENDED SERVICE PARTS STOCK.....	213
FIGURE 12-1. RECOMMENDED SPARE PARTS.....	214
SECTION 13 - SPECIAL OPTIONS/ACCESSORIES/KITS.....	215
FIGURE 13-1. SPECIAL OPTIONS/ACCESSORIES/KITS.....	216
PART NUMBER INDEX.....	217

SECTION 1 - FRAME AND ATTACHING PARTS

SECTION 1 - FRAME AND ATTACHING PARTS

SECTION 1 - FRAME AND ATTACHING PARTS

FIGURE 1-1. COUNTERWEIGHT INSTALLATION



ART_1001262570

SECTION 1 - FRAME AND ATTACHING PARTS

FIGURE 1-1. COUNTERWEIGHT INSTALLATION

ITEM	PART NUMBER	QTY	DESCRIPTION	REV
	1001262570	Ref	COUNTERWEIGHT INSTALLATION	A
1	0701617	2	Bolt M16 x 45	
2	0701622	2	Bolt M16 x 70	
3	3291605	4	Nut M16	
4	4812300	6	Washer M16	
5	4832300	2	Washer M16	
6	1001262981	4	Washer M20	
7	1001263865	1	Pin, Hitch	
8	1001263866	10	Shim	
9	1001263867	2	Nut M16	
10	1001263868	4	Washer M18	
11	1001263869	2	Spacer	
12	1001263870	1	Plate, Tie-Down	
13		Ref	Weight, Front	
14		Ref	Weight, Structural Frame	
15		Ref	Weight, Rear	
16	1001263891	2	Bolt M18 x 90	
17	1001263892	2	Bolt M16 x 75	
18	1001263893	2	Bolt M18 x 100	
19	1001263894	2	Bolt M18 x 120	

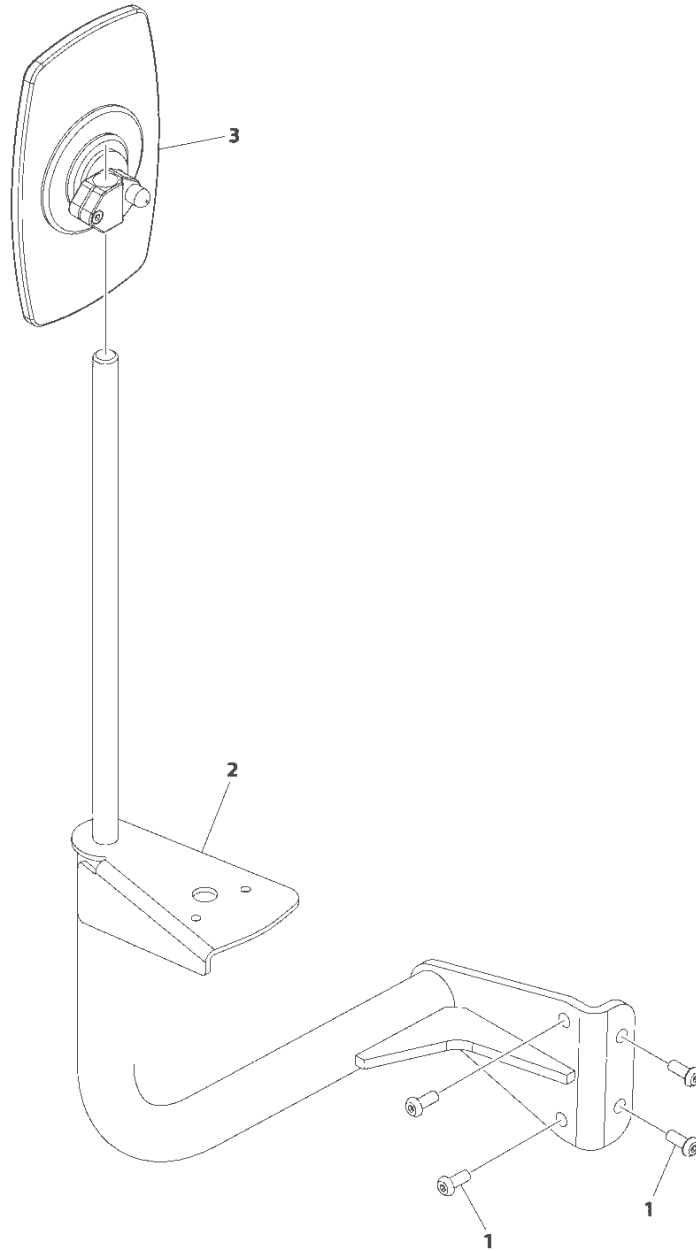
SECTION 1 - FRAME AND ATTACHING PARTS

FIGURE 1-2. ENGINE ENCLOSURE INSTALLATION

ITEM	PART NUMBER	QTY	DESCRIPTION	REV
	1001263044	Ref	Engine Enclosure Installation	A
1	0700814	2	Bolt, M8X30	
2	0760508	4	Bolt, M5X16	
3	0760608	6	Bolt, M6X16	
4	0760810	2	Bolt, M8X20	
5	0760812	2	Bolt, M8X25	
6	3290501	2	Nut, M5X0.8	
7	3290505	4	Nut, M5X0.8	
8	3290805	1	Nut, M8X1.25	
9	4811700	4	Washer, M6	
10	4811702	8	Washer, M6	
11	4811900	5	Washer, M8	
12	4811902	2	Washer, M8	
13	4831400	2	Washer, Lock M4	
14	4831600	4	Washer, Lock M5	
15	4831700	12	Washer, Lock M6	
16	4831900	6	Washer, Lock M8	
17	8305919	4	Nut	
18	1001263881	1	Cap	
19	1001264434	16	Washer, Flat	
20	1001263876	1	Cover	
21	1001263877	1	Cover	
22	1001263878	1	Cover	
23	1001263871	1	Plate, Cover	
24	1001263879	1	Hood	
25	1001263880	2	Hing, Hood	
26	1001263872	1	Plate, Latch	
27	1001263882	1	Bracket	
28	1001263883	1	Bracket	
29	1001263884	1	Support	
30	1001263885	1	Support	
31	1001263886	6	Shim, Hinge	
32	1001263887	1	Seal, Hood	
33	1001263888	1	Spring	
34	1001263895	4	Bolt, M5X25	
35	1001263896	2	Screw, M4X15	
36	1001262607	6	Screw, M6X20	
37	1001263897	4	Screw, M6X25	
38	1001263889	1	Latch, Hood	
39	1001263188	2	Nut, M8	

SECTION 1 - FRAME AND ATTACHING PARTS

FIGURE 1-3. MIRROR INSTALLATION



ART_1001262568

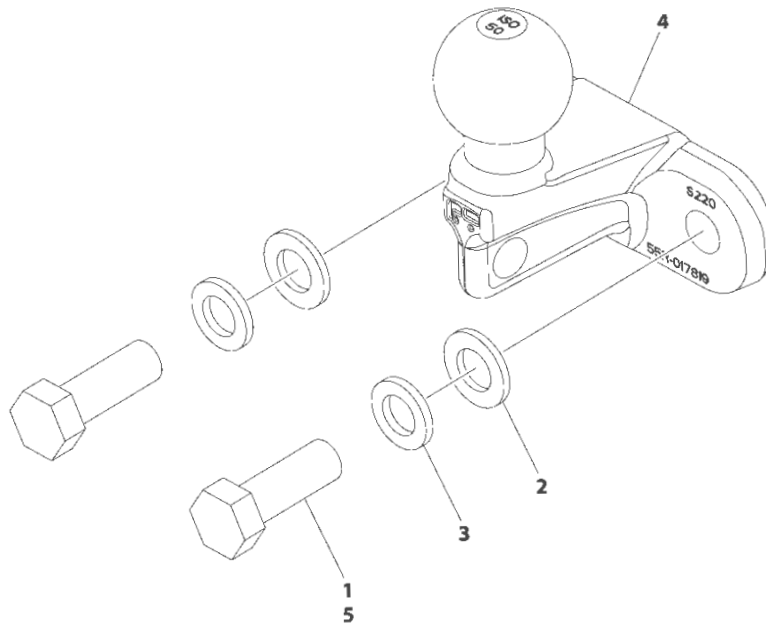
SECTION 1 - FRAME AND ATTACHING PARTS

FIGURE 1-3. MIRROR INSTALLATION

ITEM	PART NUMBER	QTY	DESCRIPTION	REV
	1001262568	Ref	Mirror Installation	A
1	1001262664	4	Screw, M8X20	
2	1001262665	1	Bracket	
3	1001262666	1	Mirror, Right Side	

SECTION 1 - FRAME AND ATTACHING PARTS

FIGURE 1-4. HITCH 2IN BALL INSTALLATION



ART_1001262403

SECTION 1 - FRAME AND ATTACHING PARTS

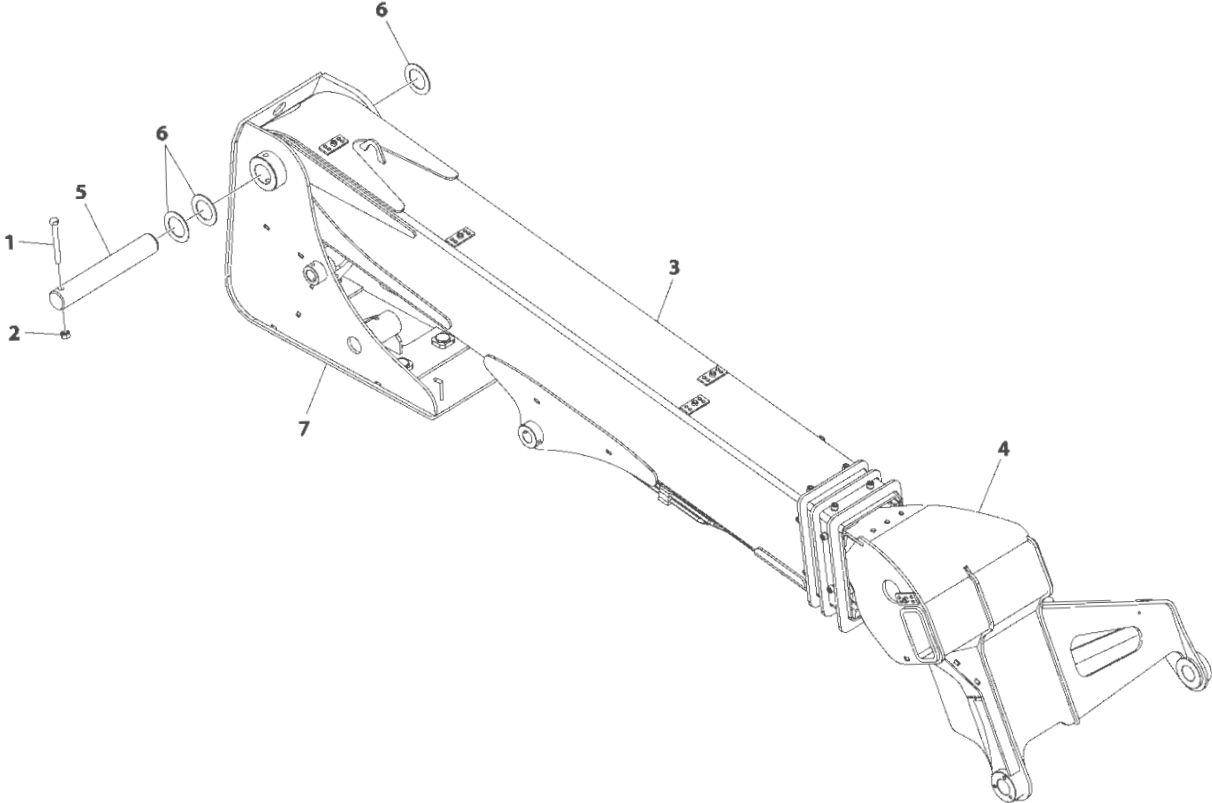
FIGURE 1-4. HITCH 2IN BALL INSTALLATION

ITEM	PART NUMBER	QTY	DESCRIPTION	REV
	1001262403	Ref	HITCH 2 IN BALL INSTALLATION	A
1	0701617	2	Screw M16 x 45	
2	4812300	2	Washer M16	
3	4832300	2	Washer M16	
4	1001262635	1	Hitch	
5	0100035	AR	Compound, Locking	

SECTION 2 - BOOM

SECTION 2 - BOOM

FIGURE 2-1. BOOM INSTALLATION



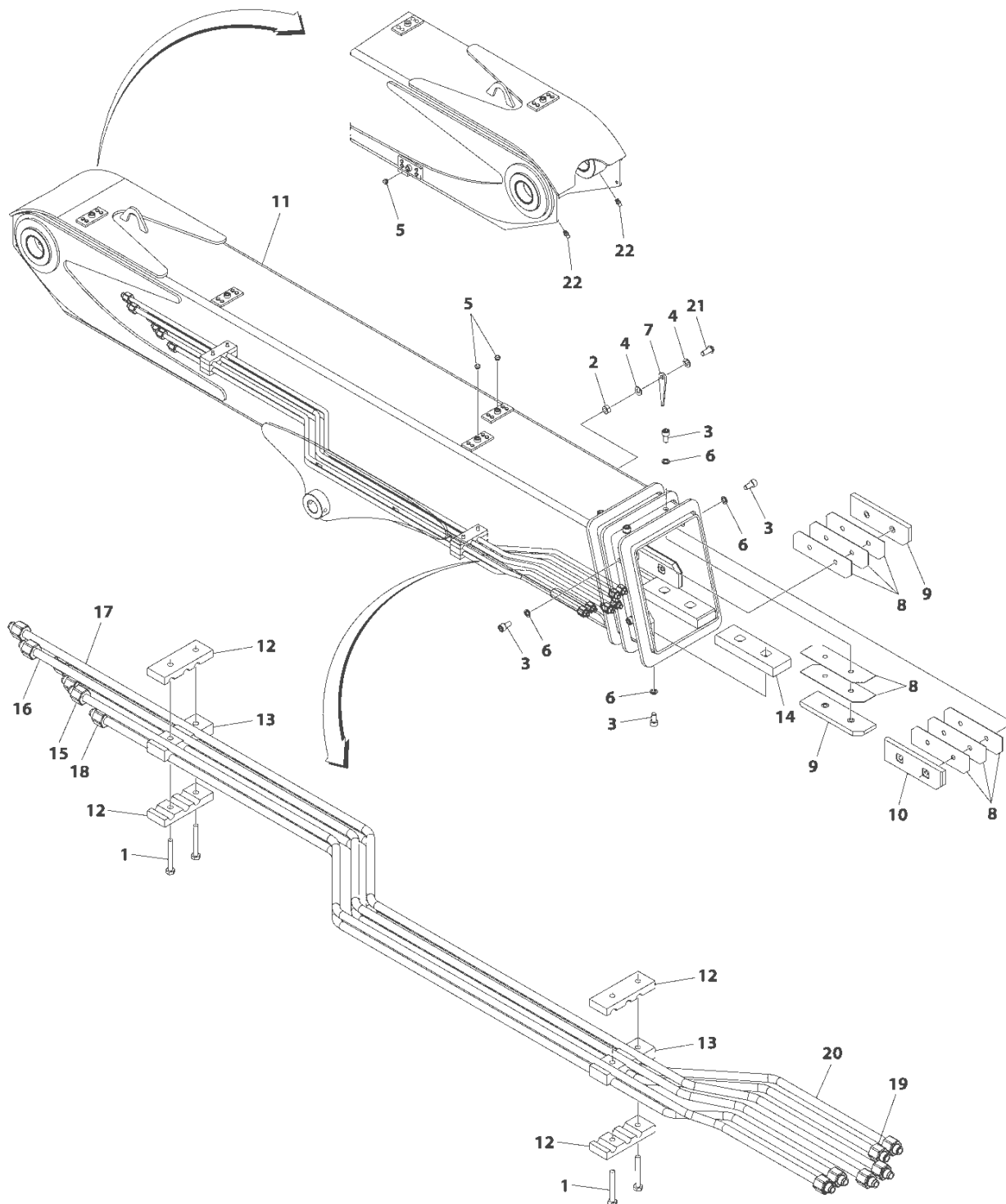
ART_1001261150

FIGURE 2-1. BOOM INSTALLATION

ITEM	PART NUMBER	QTY	DESCRIPTION	REV
	1001261150	Ref	BOOM INSTALLATION	C
1	0761228	1	Screw M12 x 110	
2	3291207	1	Nut M12	
3	1001261152	1	Assembly, Base Boom (See Separate Breakdown in this Section)	
4	1001261154	1	Assembly, Fly Boom (See Separate Breakdown in this Section)	
5	1001261548	1	Pin	
6	1001261549	3	Shim	
7	1001261671	1	Assembly, Upright Tower (See Separate Breakdown in this Section)	

SECTION 2 - BOOM

FIGURE 2-2. BASE BOOM ASSEMBLY



ART_1001261152

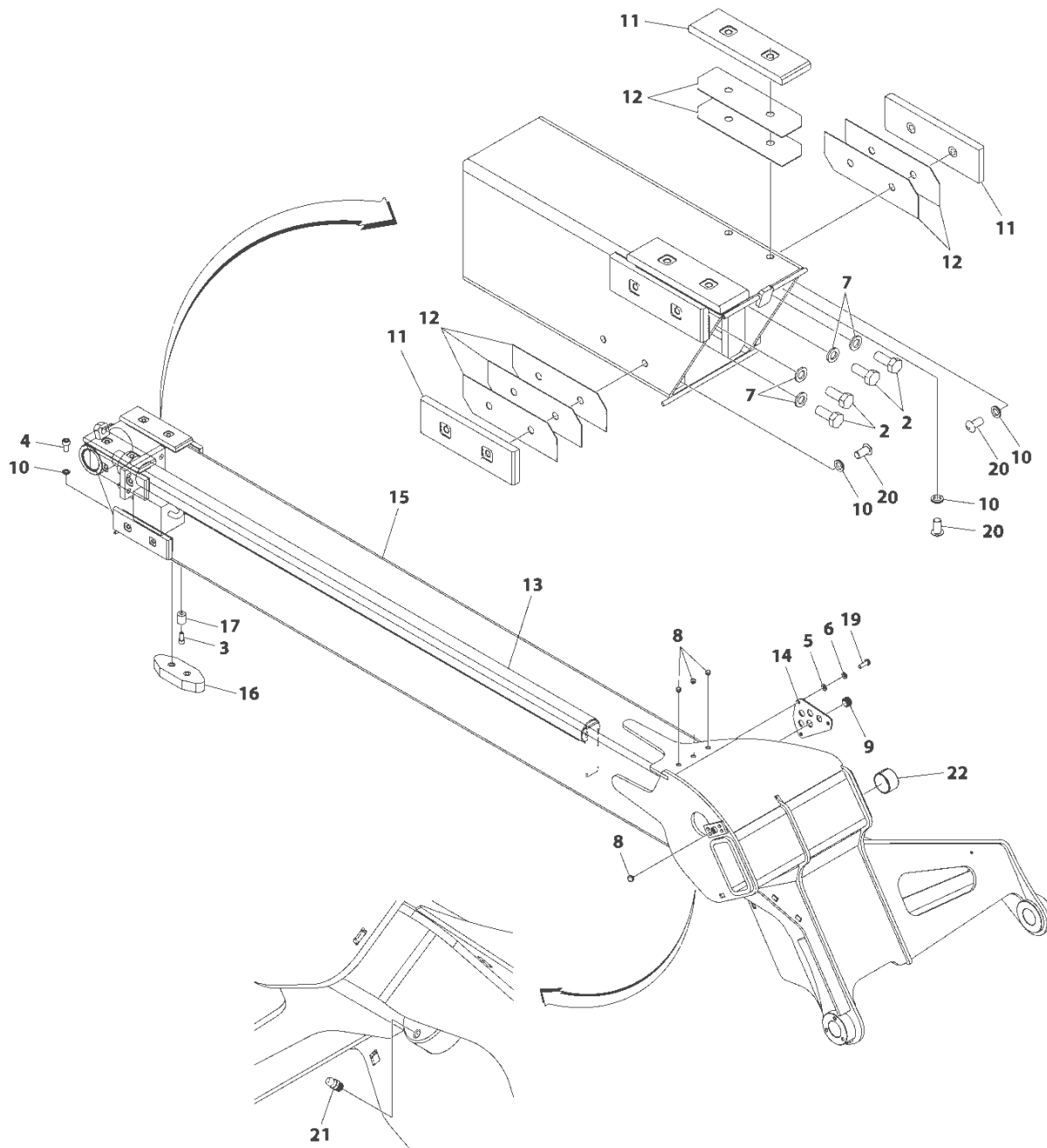
SECTION 2 - BOOM

FIGURE 2-2. BASE BOOM ASSEMBLY

ITEM	PART NUMBER	QTY	DESCRIPTION	REV
	1001261152	Ref	BASE BOOM ASSEMBLY	A
1	0700617	4	Bolt M6 x 45	
2	3291001	1	Nut M10 x 1-1/2	
3	4032008	16	Bolt M10 x 20	
4	4812000	2	Washer M10	
5	1001261567	3	Plug	
6	1001261551	16	Washer M10	
7	1001261560	1	Plate	
8	1001261550	16	Shim	
9	1001261554	3	Pad	
10	1001261556	3	Pad	
11	1001261155	1	Boom	
12	1001261552	4	Clamp	
13	1001261553	2	Clamp	
14	1001261555	2	Pad	
15	1001261571	1	Pipe	
16	1001261573	1	Pipe	
17	1001261574	1	Pipe	
18	1001261575	1	Pipe	
19	1001261576	1	Pipe	
20	1001261577	1	Pipe	
21	1001261562	1	Screw M10 x 25	
22	1001261547	2	Fitting, Grease	

SECTION 2 - BOOM

FIGURE 2-3. FLY BOOM ASSEMBLY



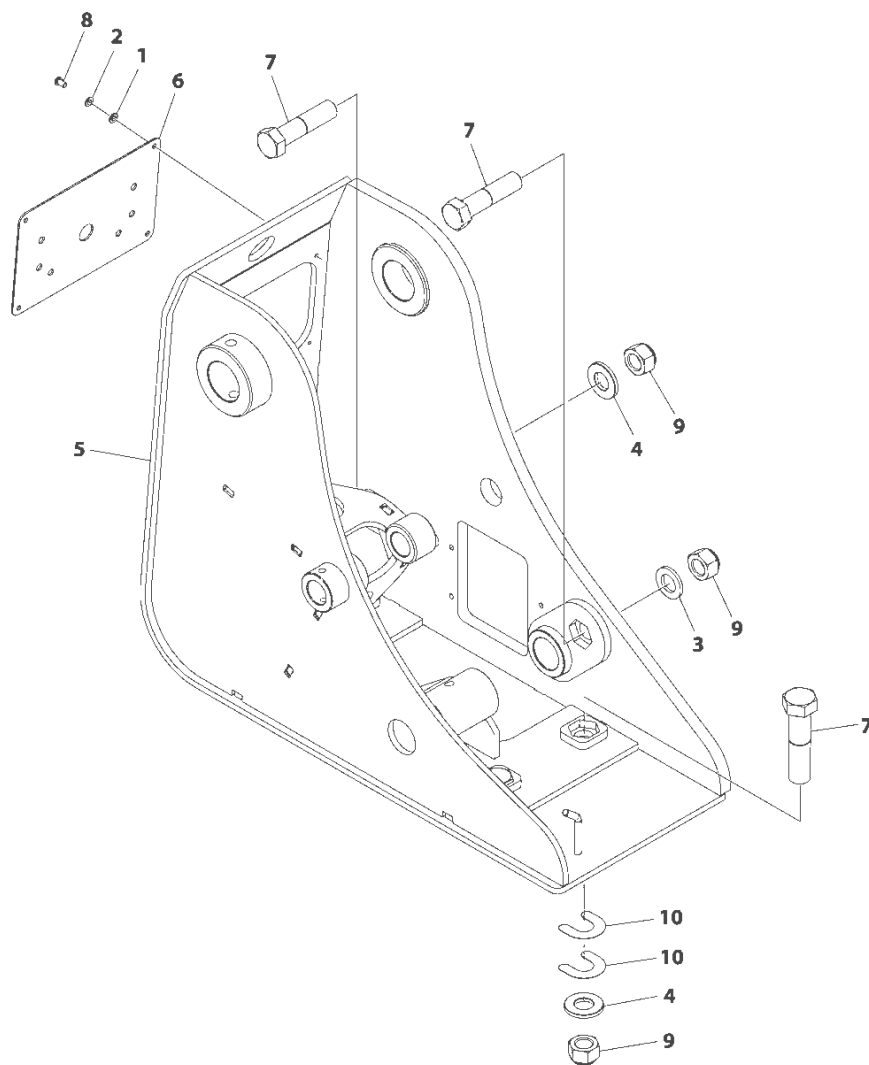
ART_1001261154

FIGURE 2-3. FLY BOOM ASSEMBLY

ITEM	PART NUMBER	QTY	DESCRIPTION	REV
	1001261154	Ref	FLY BOOM ASSEMBLY	C
2	0761214	4	Bolt M12 x 30	
3	4031908	1	Bolt M8 x 20	
4	4032008	2	Bolt M10 x 20	
5	4811900	3	Washer M8	
6	4831900	3	Washer M8	
7	4832100	4	Washer M12	
8	1001261567	4	Plug	
9	1001264006	1	Plug	
10	1001261551	14	Washer M10	
11	1001262033	6	Pad	
12	1001261550	14	Shim	
13	1001261683	1	Cylinder, Extend/Retract	
13	70030093	1	Seal Kit	
14	1001262031	1	Plate	
15	1001261156	1	Boom	
16	1001262034	1	Pad	
17	1001262036	1	Bar	
19	1001261564	3	Screw M8 x 25	
20	1001261565	12	Screw M10 x 20	
21	1001261547	1	Fitting, Grease	
22	1001262041	1	Bearing	

SECTION 2 - BOOM

FIGURE 2-4. UPRIGHT TOWER ASSEMBLY



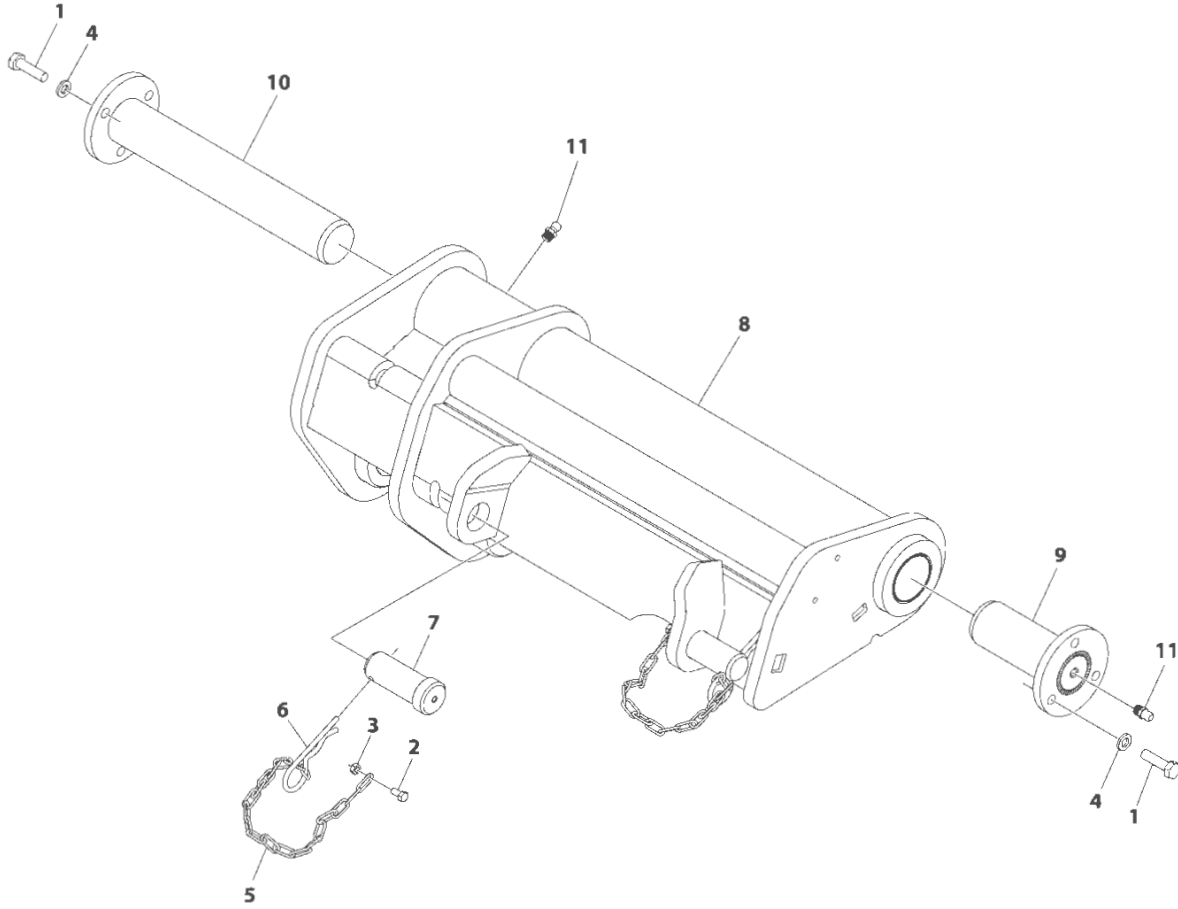
ART_1001261671

FIGURE 2-4. UPRIGHT TOWER ASSEMBLY

ITEM	PART NUMBER	QTY	DESCRIPTION	REV
	1001261671	Ref	Upright Tower Assembly	B
1	4811700	4	Washer, M6	
2	4831700	4	Washer, Lock M6	
3	1001261678	1	Washer, M22	
4	1001261675	5	Washer	
5	1001261672	1	Upright	
6	1001261674	1	Panel	
7	1001261676	6	Bolt, M22X90	
8	1001261563	4	Screw, M6X10	
9	1001261677	6	Nut, M22	
10	1001262099	8	U-Washer	

SECTION 2 - BOOM

FIGURE 2-5. COUPLER INSTALLATION (MANUAL)



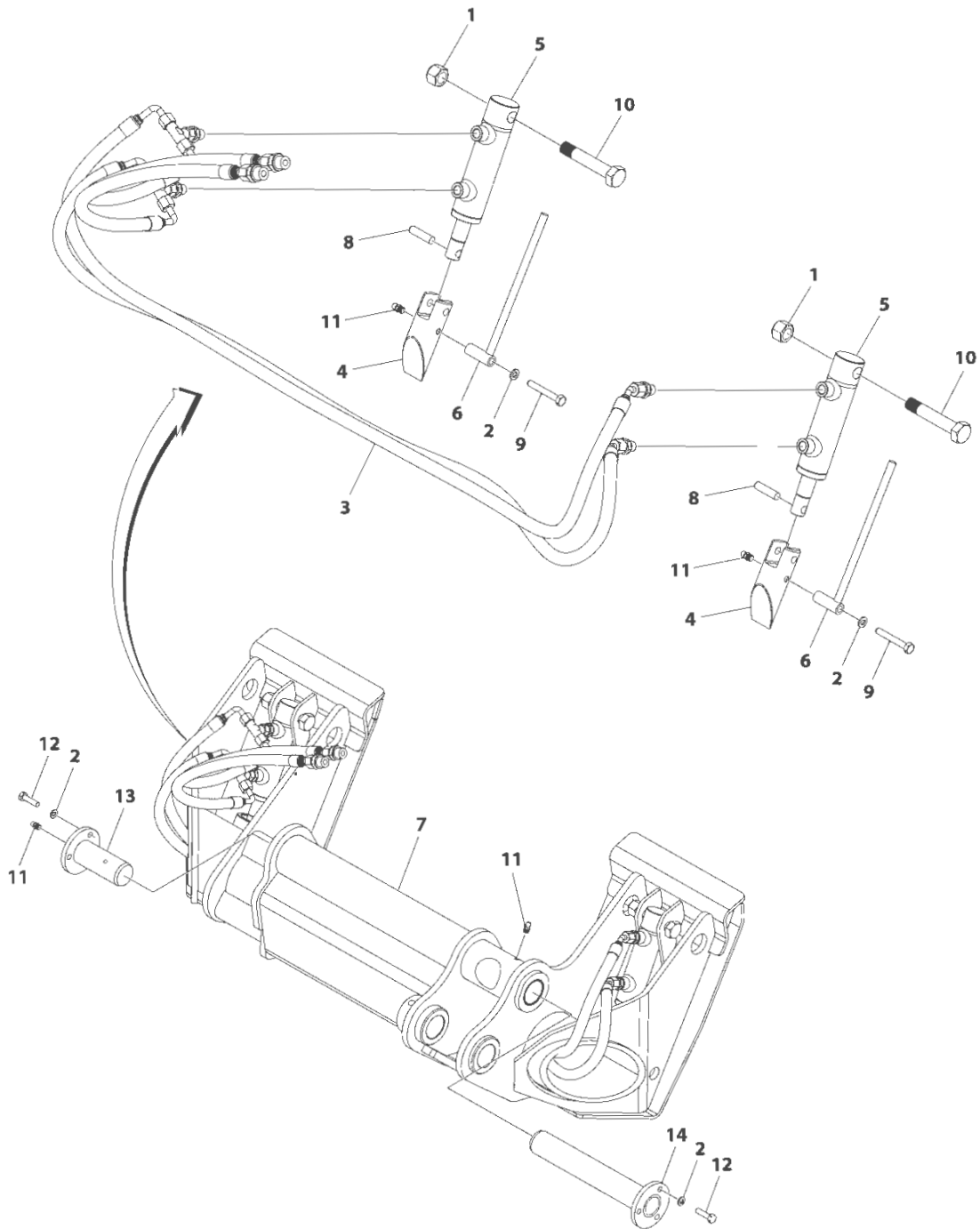
ART_1001261259

SECTION 2 - BOOM**FIGURE 2-5. COUPLER INSTALLATION (MANUAL)**

ITEM	PART NUMBER	QTY	DESCRIPTION	REV
	1001261259	Ref	Coupler Installation (Manual)	A
1	0700814	6	Bolt, M8X30	
2	0760505	2	Bolt, M5X10	
3	3290501	2	Nut, M5X0.8	
4	4831900	6	Washer, Lock M8	
5	1001261539	2	Chain, Lanyard	
6	1001261545	2	Pin, Cotter	
7	1001261537	2	Pin, Retention	
8	1001261261	1	Coupling	
9	1001261531	1	Pin	
10	1001261532	1	Pin	
11	1001261547	2	Fitting, Straight	

SECTION 2 - BOOM

FIGURE 2-6. COUPLER INSTALLATION (HYDRAULIC)



ART_1001261260

FIGURE 2-6. COUPLER INSTALLATION (HYDRAULIC)

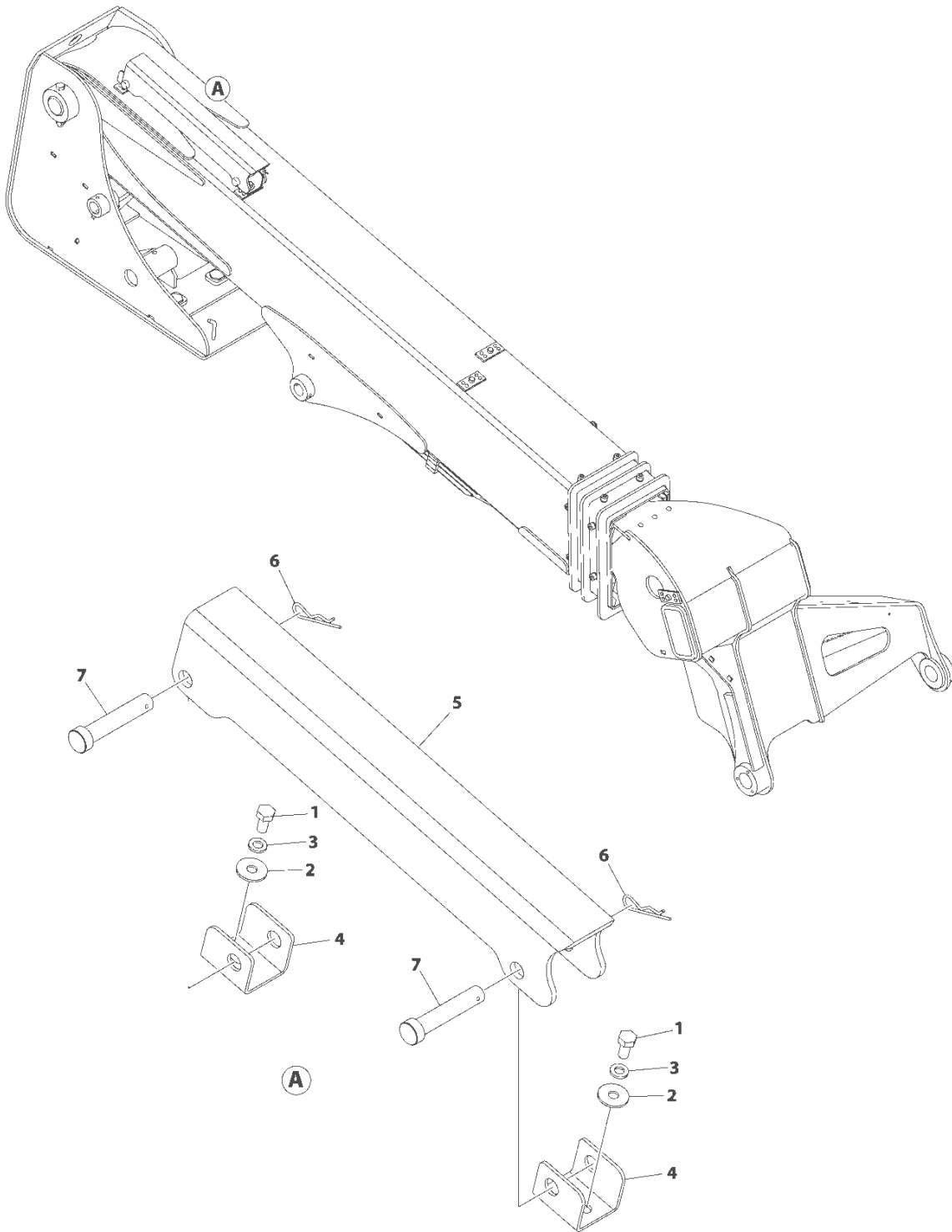
ITEM	PART NUMBER	QTY	DESCRIPTION	REV
	1001261260	Ref	COUPLER INSTALLATION (HYDRAULIC)	B
1	3291605	2	Nut M16	
2	4831900	8	Washer M8	
3	1001264349	1	Installation, Coupler Hoses (See Separate Breakdown in this Section)	
4	1001264512	2	Rod	
5	1001264509	2	Cylinder	
6	1001264511	2	Support	
7	1001261262	1	Coupling	
8	1001264516	2	Pin	
9	1001264514	2	Bolt M8 x 55	
10	1001264513	2	Bolt M16 x 90	
11	1001261547	4	Fitting, Grease	
12	0700814	6	Bolt M8 x 30	
13	1001261531	1	Pin	
14	1001261532	1	Pin	

FIGURE 2-7. BOOM AUXILIARY INSTALLATION

ITEM	PART NUMBER	QTY	DESCRIPTION	REV
	1001263383	Ref	Universal Boom Hydraulic Aux Installation	A
1	2142712	2	Fitting	
2	2142715	2	Fitting	
3	4811900	2	Washer, M8	
4	4831900	2	Washer, Lock M8	
5	1001264529	1	Grommet	
6	1001264532	1	Harness	
7	1001264531	1	Harness	
8	1001264528	1	Valve	
9	1001264537	1	Coupling, Male	
10	1001264538	1	Coupling, Female	
11	1001264539	2	Adapter	
12	1001263114	2	Adapter	
13	1001264533	2	Bolt, M8X80	
14	1001262961	2	Strap, Tie	
15	1001264535	1	Sleeve	
16	1001264530	1	Harness	

SECTION 2 - BOOM

FIGURE 2-8. BOOM PROP INSTALLATION



ART_1001263388

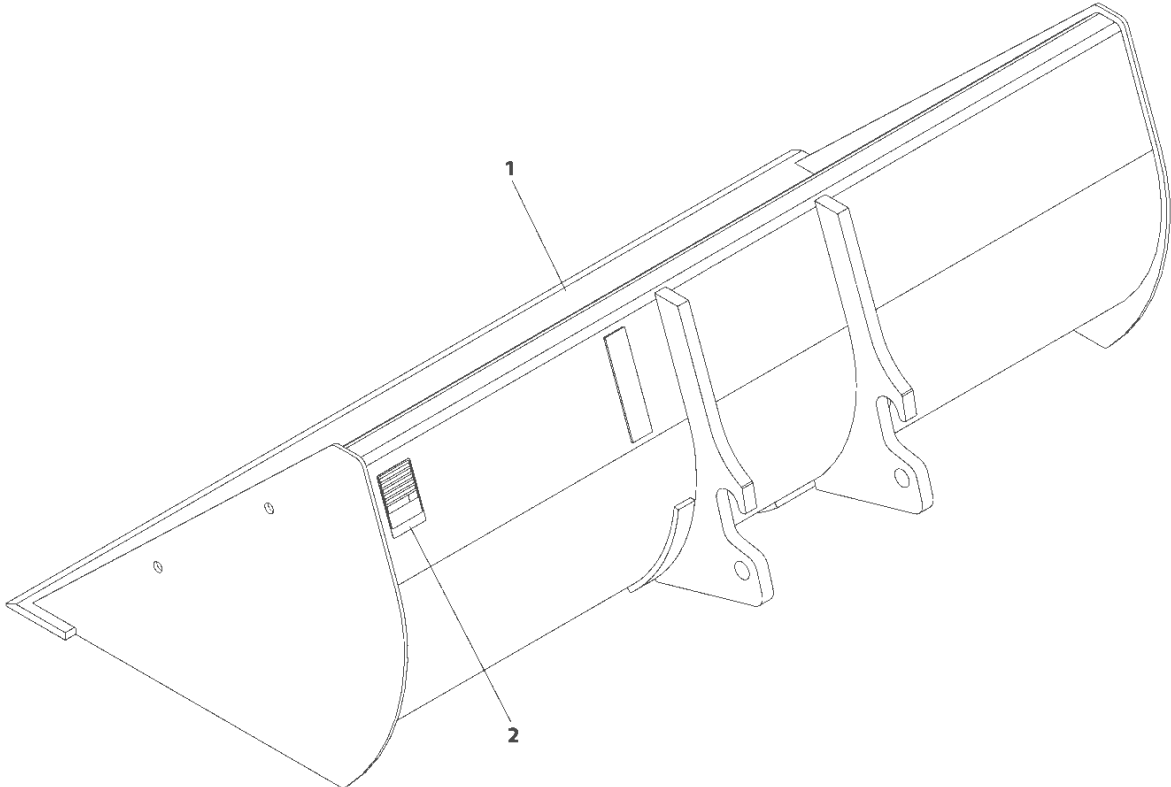
FIGURE 2-8. BOOM PROP INSTALLATION

ITEM	PART NUMBER	QTY	DESCRIPTION	REV
	1001263388	Ref	BOOM PROP INSTALLATION	A
1	0760808	2	Bolt M8 x 20	
2	4811902	2	Washer M8	
3	4831900	2	Washer M8	
4	1001266094	2	Bracket	
5	1001266095	1	Prop, Boom	
6	1001266096	2	Pin	
7	1001266097	2	Pin	

SECTION 3 - ATTACHMENTS

SECTION 3 - ATTACHMENTS

FIGURE 3-1. BUCKET (1400MM)



ART_1001263392

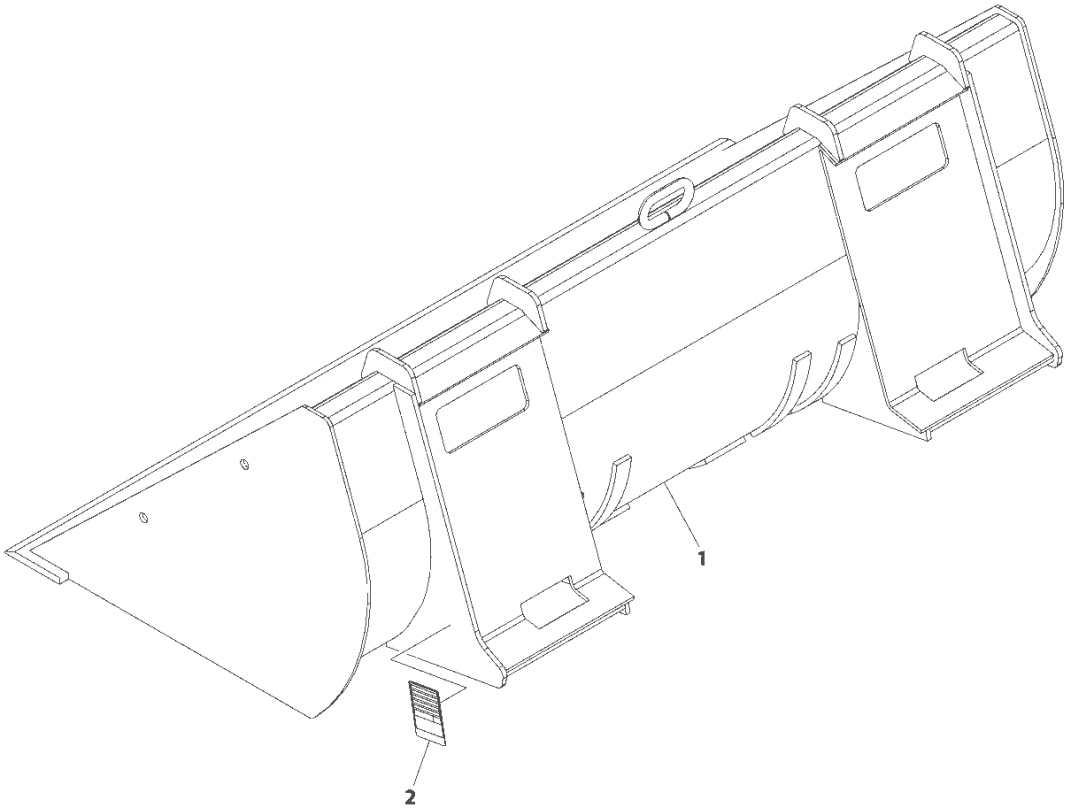
SECTION 3 - ATTACHMENTS

FIGURE 3-1. BUCKET (1400MM)

ITEM	PART NUMBER	QTY	DESCRIPTION	REV
1	1001263392	Ref	BUCKET (1400MM)	B
2	See Note	NSS	SN Plate (Note: Not Available for Purchase)	

SECTION 3 - ATTACHMENTS

FIGURE 3-2. BUCKET - GENERAL PURPOSE (1400MM)



ART_1001263394

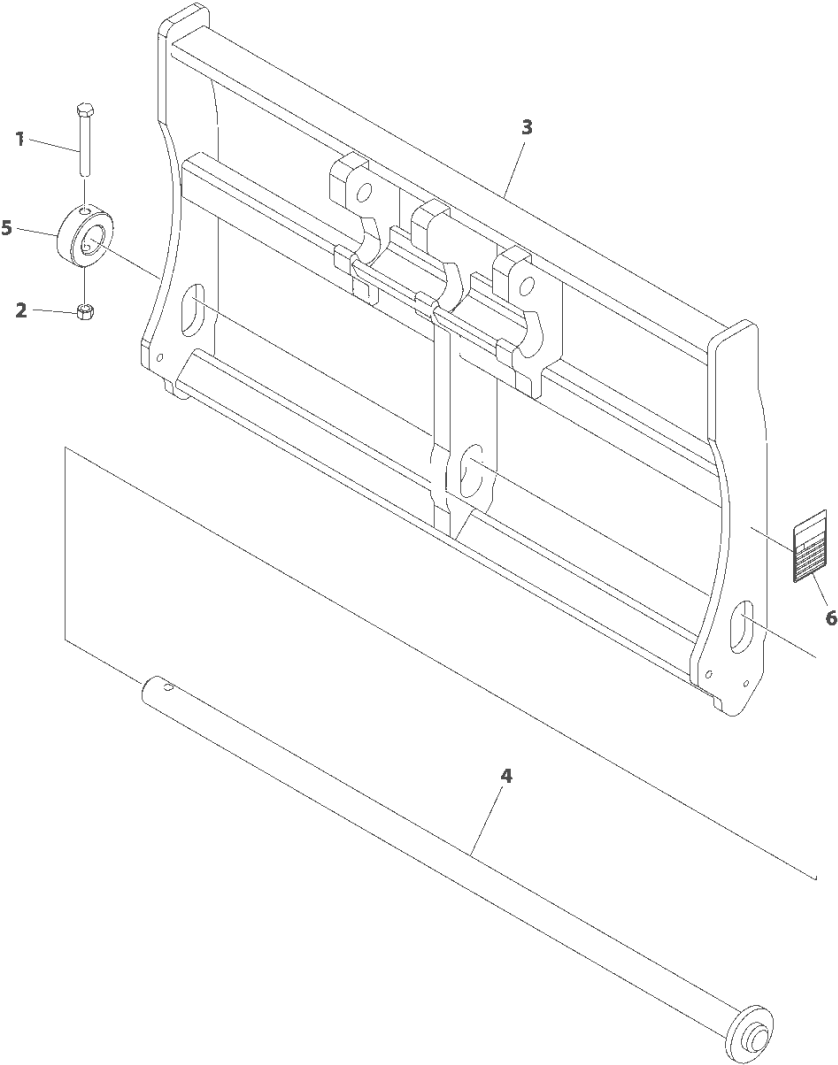
SECTION 3 - ATTACHMENTS

FIGURE 3-2. BUCKET - GENERAL PURPOSE (1400MM)

ITEM	PART NUMBER	QTY	DESCRIPTION	REV
1	1001263394	Ref	BUCKET - GENERAL PURPOSE (1400MM)	B
2	See Note	NSS	SN Plate (Note: Not Available for Purchase)	

SECTION 3 - ATTACHMENTS

FIGURE 3-3. CARRIAGE ASSEMBLY (1045MM)



ART_1001261158

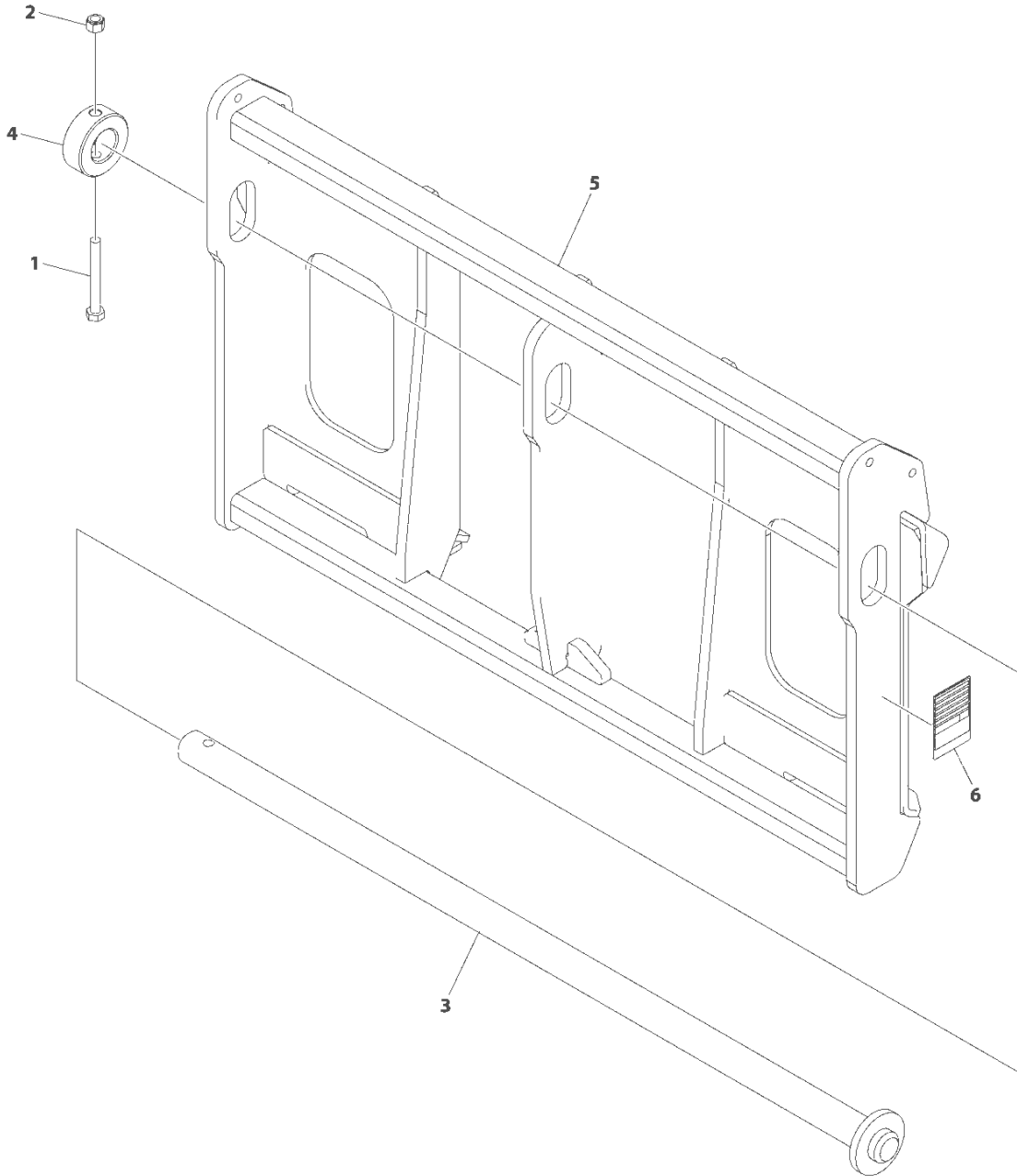
SECTION 3 - ATTACHMENTS

FIGURE 3-3. CARRIAGE ASSEMBLY (1045MM)

ITEM	PART NUMBER	QTY	DESCRIPTION	REV
	1001261158	Ref	Carriage Assembly (1045MM)	B
1	0701227	1	Bolt, M12X100	
2	3291205	1	Nut M12X1.75	
3	1001261159	1	Carriage	
4	1001261540	1	Pin	
5	1001261544	1	Plate, Fork Collar	
6	See Note	NSS	SN Plate (Note: Not Available for Purchase)	

SECTION 3 - ATTACHMENTS

FIGURE 3-4. CARRIAGE ASSEMBLY (1050MM)



ART_1001263389

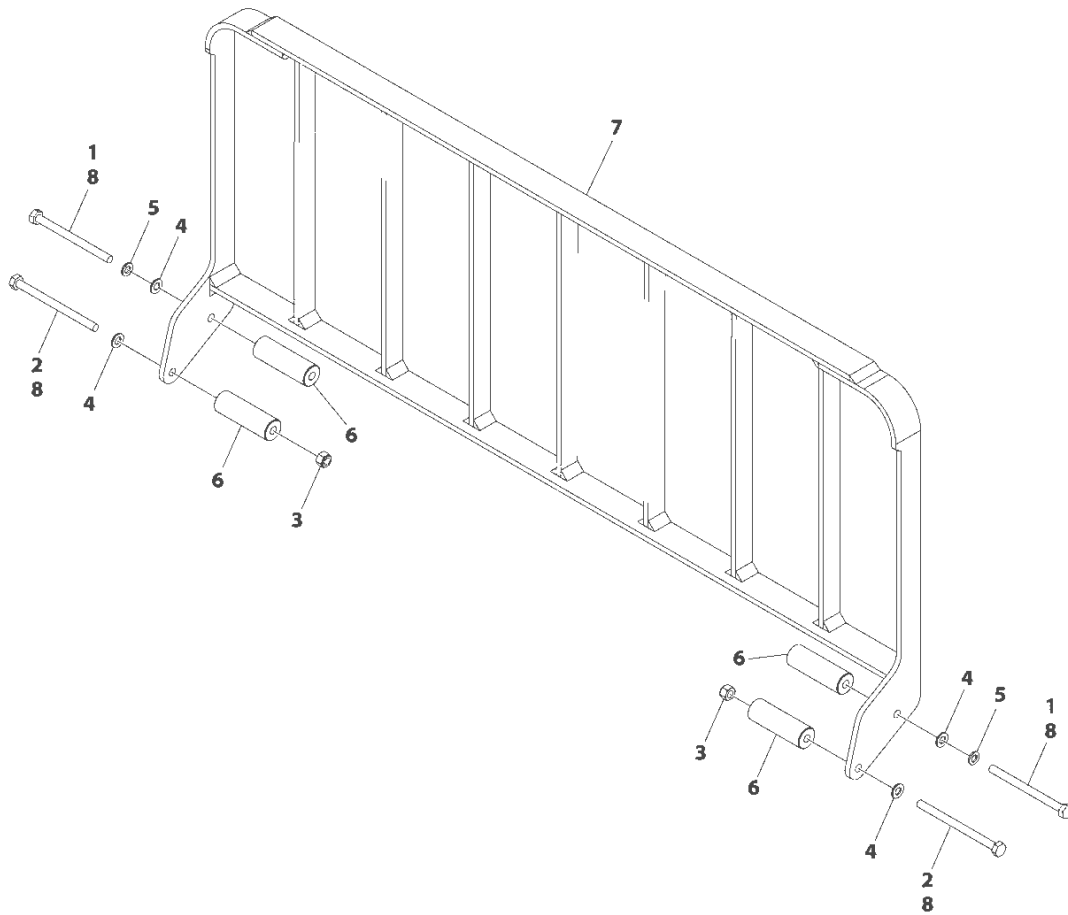
SECTION 3 - ATTACHMENTS

FIGURE 3-4. CARRIAGE ASSEMBLY (1050MM)

ITEM	PART NUMBER	QTY	DESCRIPTION	REV
	1001263389	Ref	Carriage Assembly (1050MM)	B
1	0701227	1	Bolt, M12X100	
2	3291205	1	Nut M12X1.75	
3	1001261540	1	Pin	
4	1001261544	1	Plate, Fork Collar	
5	1001264438	1	Carriage	
6	See Note	NSS	SN Plate (Note: Not Available for Purchase)	

SECTION 3 - ATTACHMENTS

FIGURE 3-5. CARRIAGE BACKREST INSTALLATION



ART_1001262110

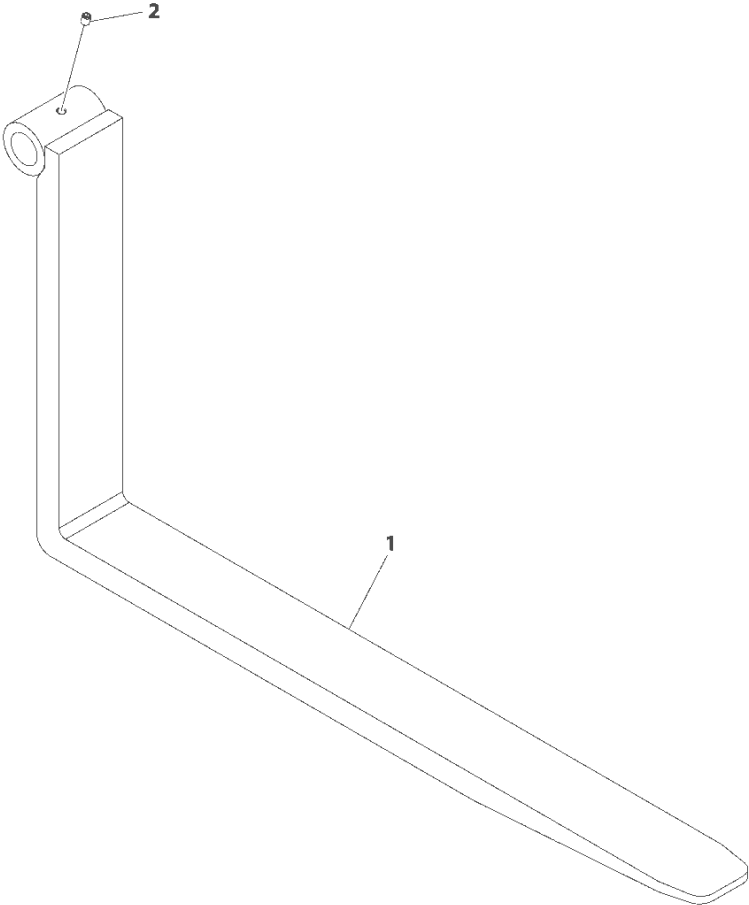
SECTION 3 - ATTACHMENTS

FIGURE 3-5. CARRIAGE BACKREST INSTALLATION

ITEM	PART NUMBER	QTY	DESCRIPTION	REV
	1001262110	Ref	CARRIAGE BACKREST INSTALLATION	B
1	0701030	2	Bolt M10 x 130	
2	0701031	2	Bolt M10 x 140	
3	3291005	2	Nut M10 x 1-1/2	
4	4812000	4	Washer M10	
5	4832000	2	Washer M10	
6	1001262169	4	Rod	
7	1001262170	1	Brace	
8	0100035	AR	Compound, Locking	

SECTION 3 - ATTACHMENTS

FIGURE 3-6. FORK - PALLET (35X100X1000MM)



ART_1001262107

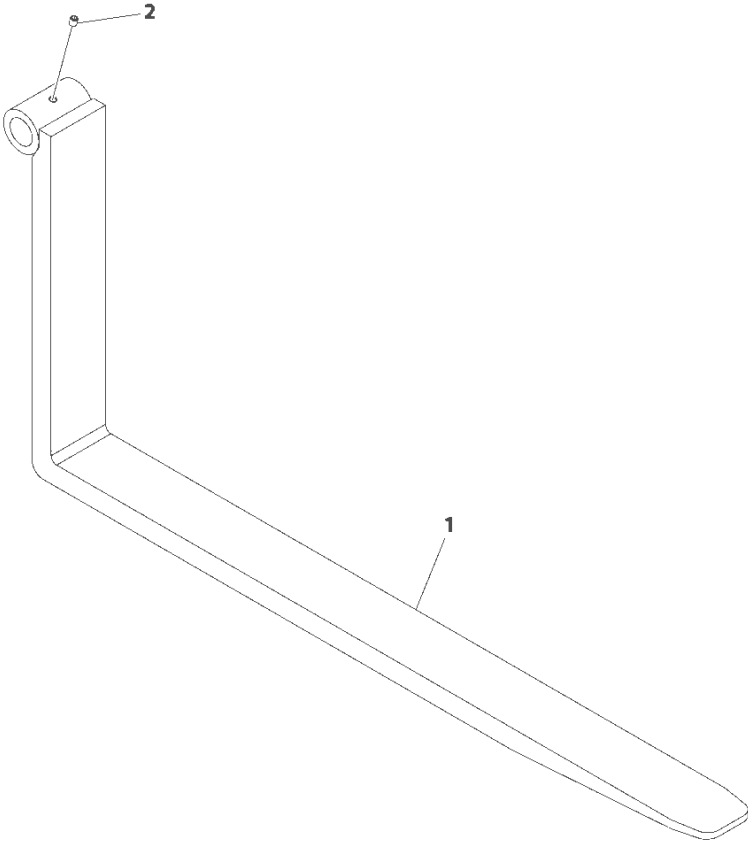
SECTION 3 - ATTACHMENTS

FIGURE 3-6. FORK - PALLET (35X100X1000MM)

ITEM	PART NUMBER	QTY	DESCRIPTION	REV
1	1001262107	Ref	PALLET FORK (35X100X1000MM)	B
2	1001262024	1	Screw M10 x 12	

SECTION 3 - ATTACHMENTS

FIGURE 3-7. FORK - PALLET (35X100X1200MM)



ART_1001262108

SECTION 3 - ATTACHMENTS

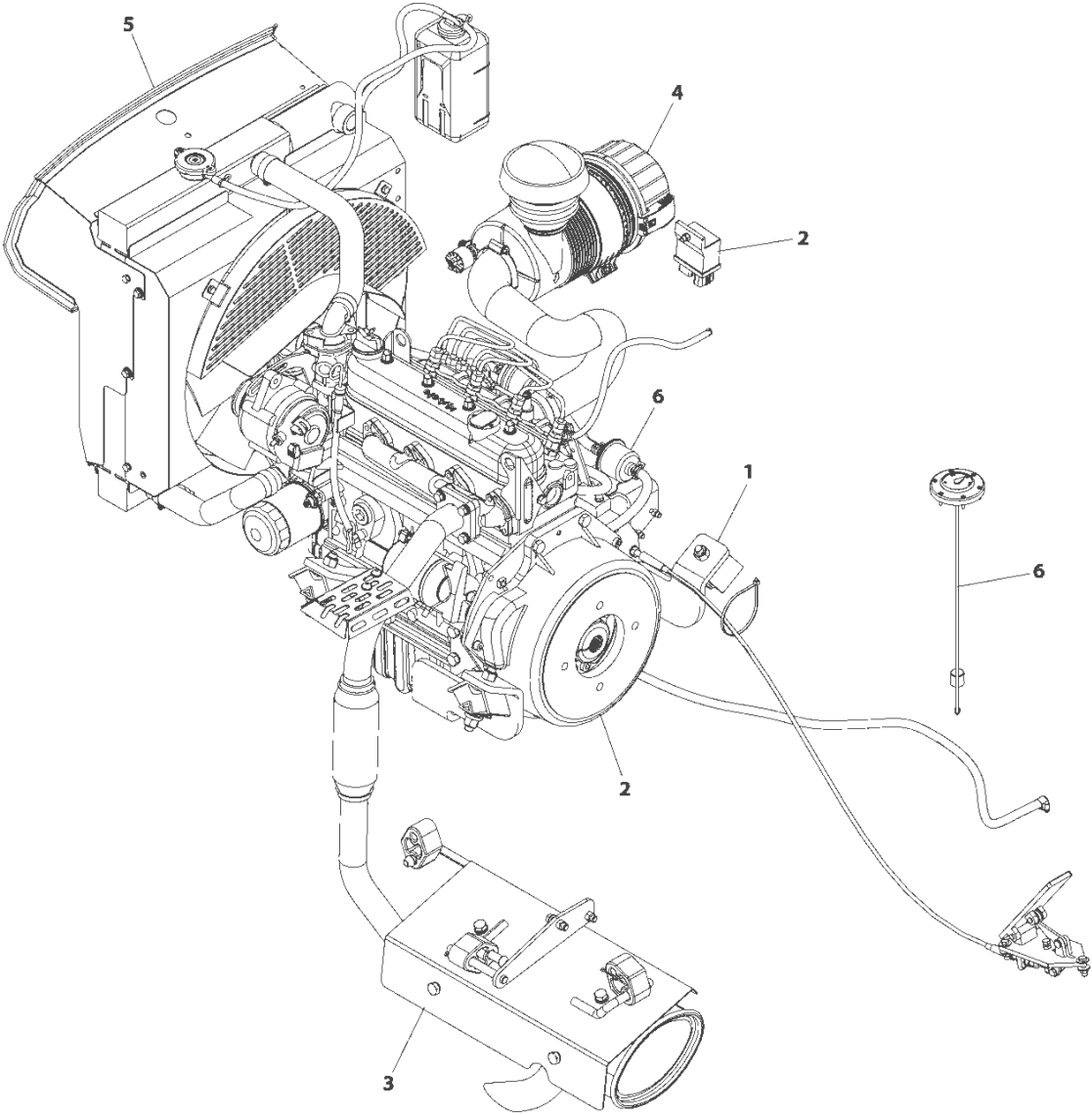
FIGURE 3-7. FORK - PALLET (35X100X1200MM)

ITEM	PART NUMBER	QTY	DESCRIPTION	REV
1	1001262108	Ref	PALLET FORK (35X100X1200MM)	B
2	1001262024	1	Screw M10 x 12	

SECTION 4 - ENGINE AND ATTACHING PARTS

SECTION 4 - ENGINE AND ATTACHING PARTS

FIGURE 4-1. ENGINE SYSTEMS INSTALLATION



ART_1001262209

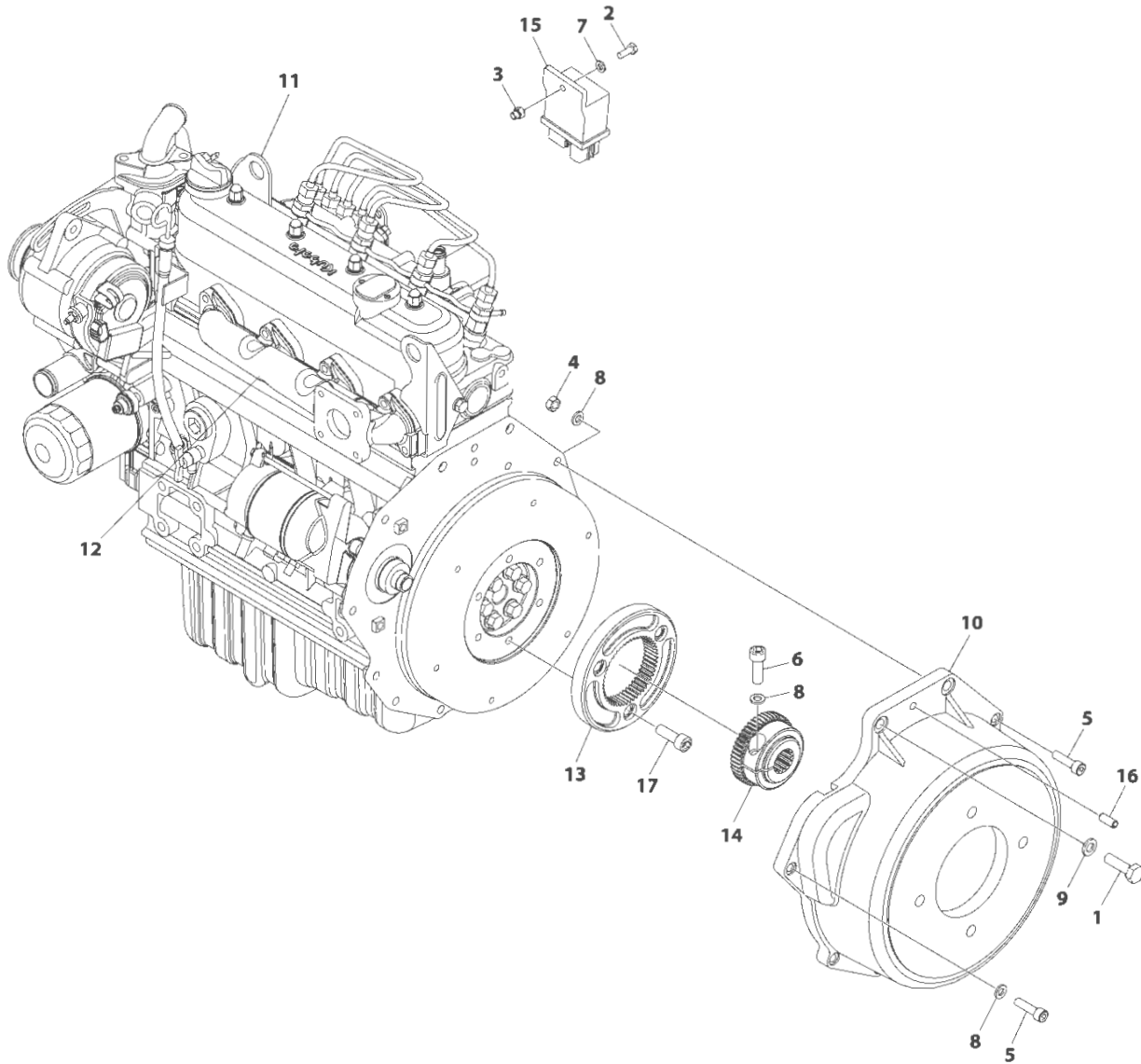
SECTION 4 - ENGINE AND ATTACHING PARTS

FIGURE 4-1. ENGINE SYSTEMS INSTALLATION

ITEM	PART NUMBER	QTY	DESCRIPTION	REV
1	1001262209	Ref	ENGINE INSTALLATION	A
	1001262210	Ref	Installation, Engine Mount (See Separate Breakdown in this Section)	
2	1001262211	Ref	Installation, Kubota Engine (See Separate Breakdown in this Section)	
3	1001262212	Ref	Installation, Exhaust (See Separate Breakdown in this Section)	
4	1001262213	Ref	Installation, Air Cleaner (See Separate Breakdown in this Section)	
5	1001262214	Ref	Installation, Cooling (See Separate Breakdown in this Section)	
6	1001262215	Ref	Installation, Throttle Pedal (See Separate Breakdown in CONTROLS Section)	

SECTION 4 - ENGINE AND ATTACHING PARTS

FIGURE 4-2. KUBOTA ENGINE INSTALLATION



ART_1001262211

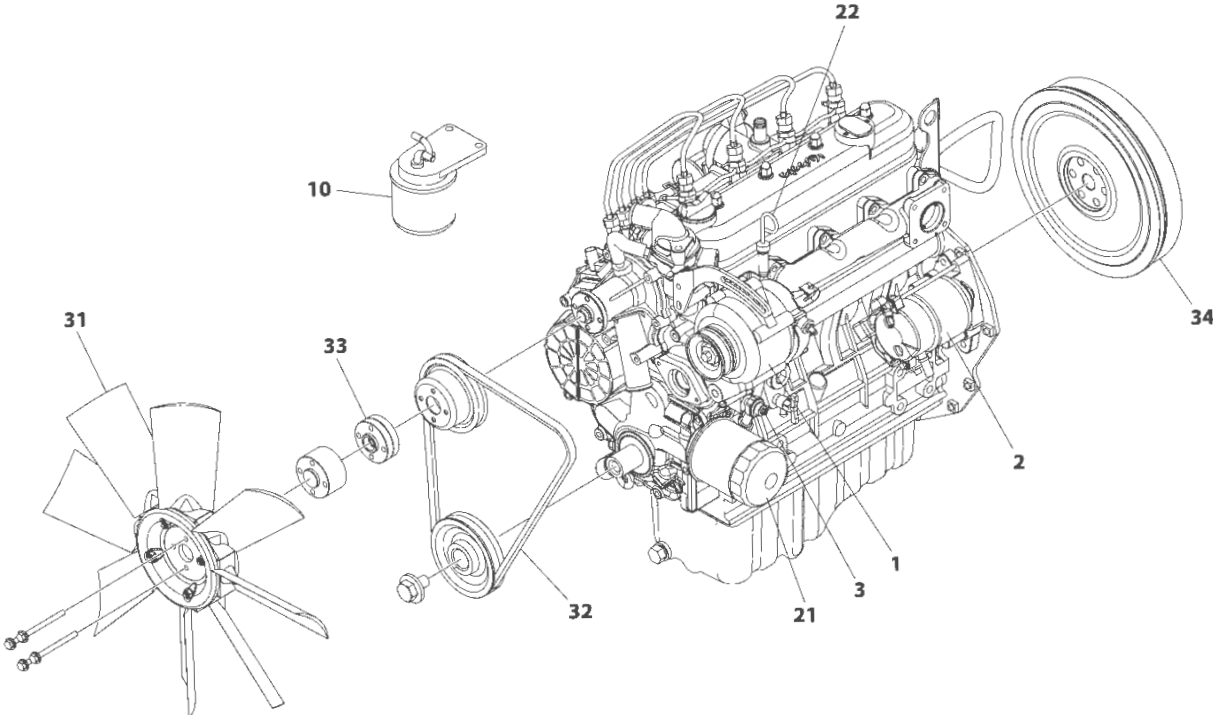
SECTION 4 - ENGINE AND ATTACHING PARTS

FIGURE 4-2. KUBOTA ENGINE INSTALLATION

ITEM	PART NUMBER	QTY	DESCRIPTION	REV
	1001262211	Ref	KUBOTA ENGINE INSTALLATION	A
1	0701015	2	Bolt M10 x 35	
2	0760608	1	Bolt M6 x 16	
3	3290606	1	Nut M6	
4	3290801	3	Nut M8	
5	4031910	7	Bolt M8 x 30	
6	4032010	1	Bolt M10 x 30	
7	4811700	1	Washer M6	
8	4831900	8	Washer M8	
9	4832000	2	Washer M10	
10	1001262249	1	Coupling	
11	1001262280	1	Assembly, Kubota Engine (See Separate Breakdown in this Section)	
12	1001262281	1	Manifold, Kubota Exhaust	
13	1001262286	1	Coupling	
14	1001262287	1	Coupling	
15	1001262288	1	Connector	
16	1001262292	1	Pin	
17	4032010000	3	Capscrew M10 x 30	

SECTION 4 - ENGINE AND ATTACHING PARTS

FIGURE 4-3. KUBOTA ENGINE ASSEMBLY



ART_1001262280

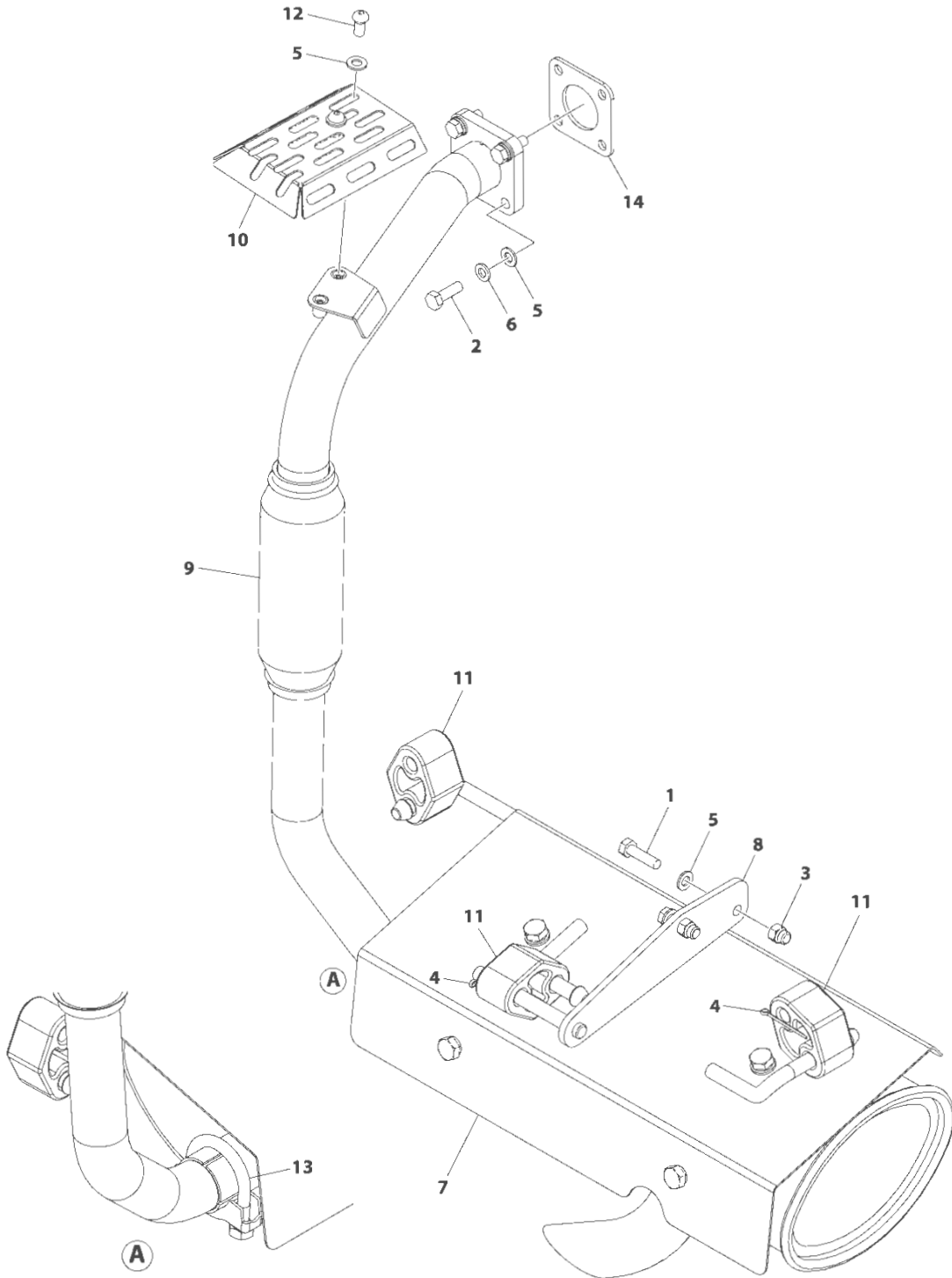
SECTION 4 - ENGINE AND ATTACHING PARTS

FIGURE 4-3. KUBOTA ENGINE ASSEMBLY

ITEM	PART NUMBER	QTY	DESCRIPTION	REV
	1001262280	Ref	KUBOTA ENGINE INSTALLATION	A
		Ref	Electrical Components	
1	70005741	1	Alternator	
2	7017943	1	Starter Engine	
3	7017901	1	Switch, Oil	
		Ref	Fuel System Components	
10	7017949	1	Fuel Filter Assembly (Includes - Cover, Fittings, Plug, O-ring)	
10	1001262409	1	Filter, Fuel	
11	7023139	1	Pump, Fuel (Not Shown - Located on Opposite of Engine)	
12	70031353	1	Pump, Injection (Not Shown)	
		Ref	Lubrication System Components	
21	7020942	1	Engine Oil Filter	
22	7023160	1	Dipstick	
22	70003062	1	Tube, Dipstick	
		Ref	Miscellaneous Components	
31	1001262253	1	Fan	
32	7023141	1	Belt	
33	1001262266	1	Fan Spacer Support	
34	70031354	1	Flywheel	

SECTION 4 - ENGINE AND ATTACHING PARTS

FIGURE 4-4. EXHAUST INSTALLATION



ART_1001262212

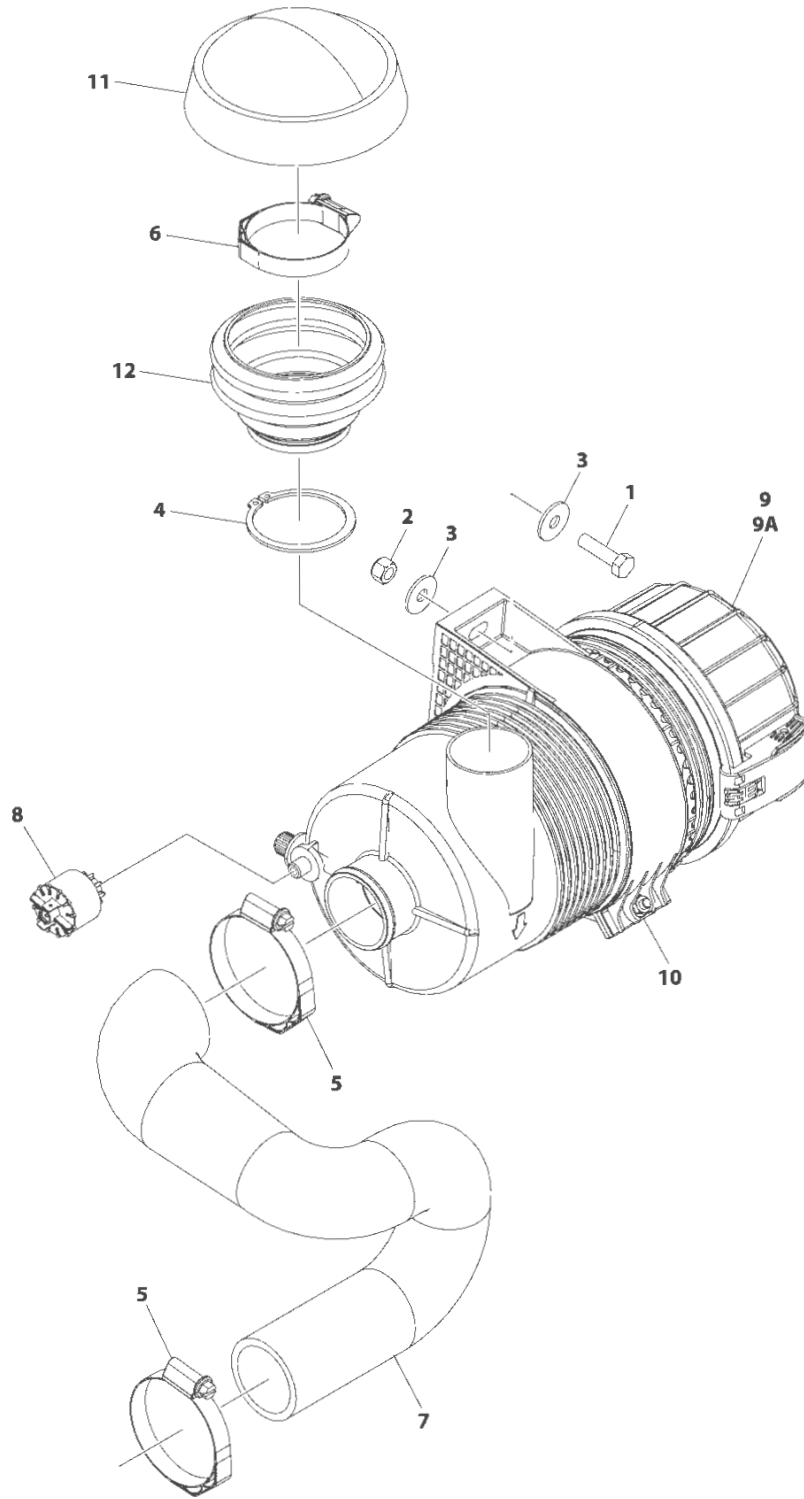
SECTION 4 - ENGINE AND ATTACHING PARTS

FIGURE 4-4. EXHAUST INSTALLATION

ITEM	PART NUMBER	QTY	DESCRIPTION	REV
	1001262212	Ref	Exhaust Installation	A
1	0700814	2	Bolt, M8X30	
2	0760812	4	Bolt, M8X25	
3	3290806	2	Nut, M8X1.25	
4	3450306	2	Pin, Cotter	
5	4811900	8	Washer, M8	
6	4831900	4	Washer, Lock M8	
7	1001262257	1	Muffler	
8	1001262258	1	Bracket	
9	1001262259	1	Pipe	
10	1001262269	1	Plate	
11	1001262278	3	Mount, Isolator	
12	1001262289	2	Screw, M8X15	
13	1001262298	1	Clamp	
14	7023124	1	Gasket	

SECTION 4 - ENGINE AND ATTACHING PARTS

FIGURE 4-5. AIR CLEANER INSTALLATION



ART_1001262213

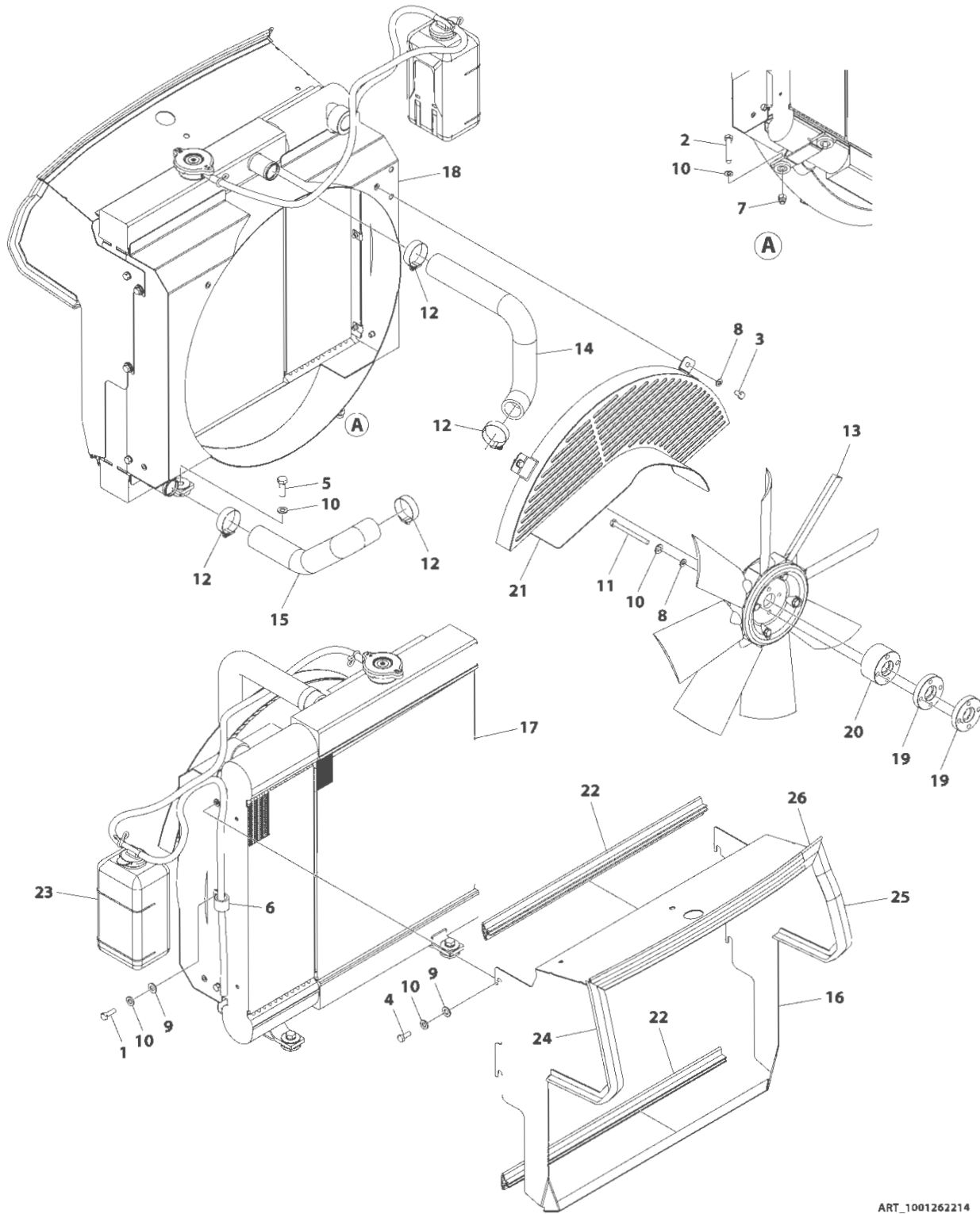
SECTION 4 - ENGINE AND ATTACHING PARTS

FIGURE 4-5. AIR CLEANER INSTALLATION

ITEM	PART NUMBER	QTY	DESCRIPTION	REV
	1001262213	Ref	AIR CLEANER INSTALLATION	A
1	0700814	2	Bolt M8 x 30	
2	3290805	2	Nut M8	
3	4811902	4	Washer M8	
4	1001176293	1	Ring	
5	1001215023	2	Clamp	
6	1001215024	1	Clamp	
7	1001262254	1	Hose	
8	1001262282	1	Sensor	
9	1001262270	1	Air Cleaner	
9A	70030108	1	Filter Element	
10	1001262283	1	Mount	
11	1001262284	1	Cap	
12	1001262273	1	Seal	

SECTION 4 - ENGINE AND ATTACHING PARTS

FIGURE 4-6. COOLING PACKAGE INSTALLATION



ART_1001262214

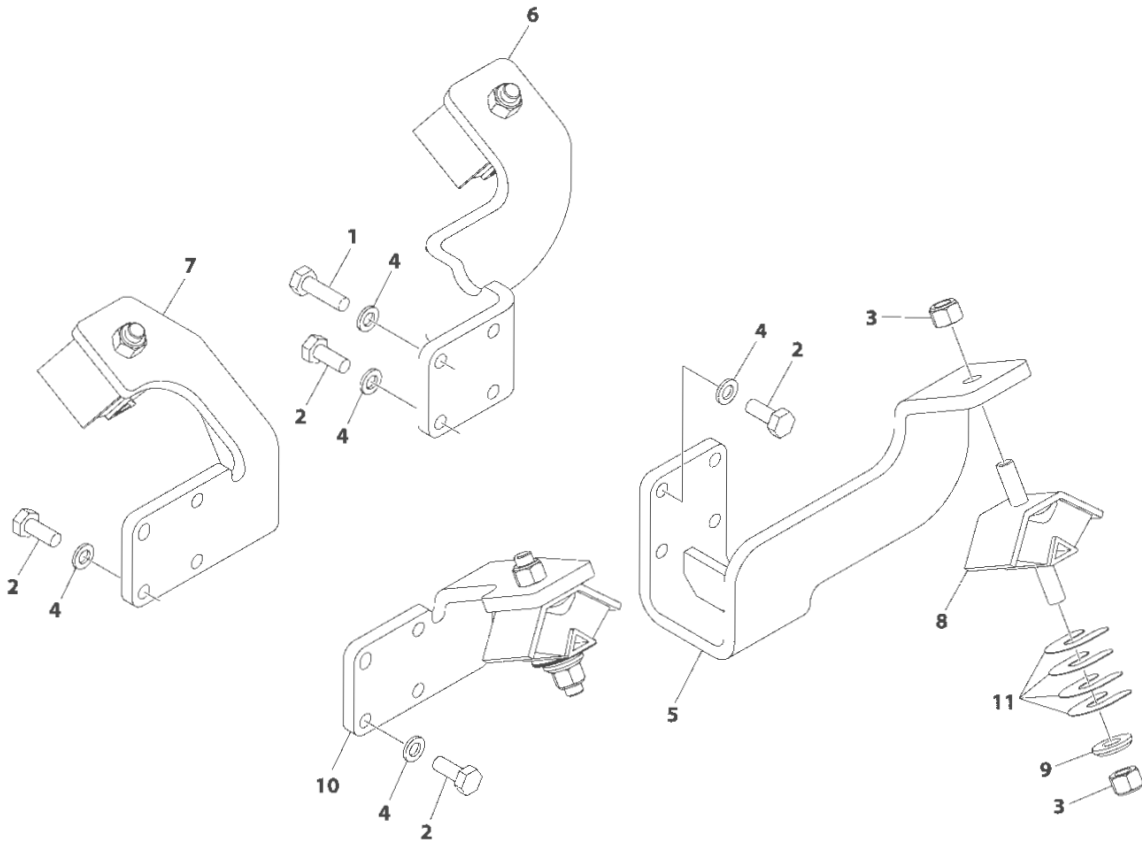
SECTION 4 - ENGINE AND ATTACHING PARTS

FIGURE 4-6. COOLING PACKAGE INSTALLATION

ITEM	PART NUMBER	QTY	DESCRIPTION	REV
	1001262214	Ref	Cooling Package Installation	A
1	0700610	2	Bolt, M6X20	
2	0700818	1	Bolt, M8X50	
3	0760605	2	Bolt, M6X10	
4	0760608	2	Bolt, M6X16	
5	0760812	3	Bolt, M8X25	
6	1321296	1	Clamp	
7	3290806	1	Nut, M8X1.25	
8	4811700	6	Washer, M6	
9	4811900	4	Washer, M8	
10	4831900	12	Washer, Lock M8	
11	1001096653	4	Bolt, M6-1X70	
12	1001162180	4	Clamp	
13	1001262253	1	Fan	
14	1001262276	1	Hose	
15	1001262255	1	Hose	
16	1001262256	1	Shroud	
17	1001262268	1	Cooler	
17	70031355	1	Cap, Radiator	
18	1001262264	1	Shroud	
19	1001262265	2	Coupling	
20	1001262266	1	Coupling	
21	1001262267	1	Shield	
22	1001262271	2	Seal	
23	1001262285	1	Tank	
24	1001263958	1	Seal	
25	1001263959	1	Seal	
26	1001263960	1	Seal	

SECTION 4 - ENGINE AND ATTACHING PARTS

FIGURE 4-7. ENGINE MOUNTING INSTALLATION



ART_1001262210

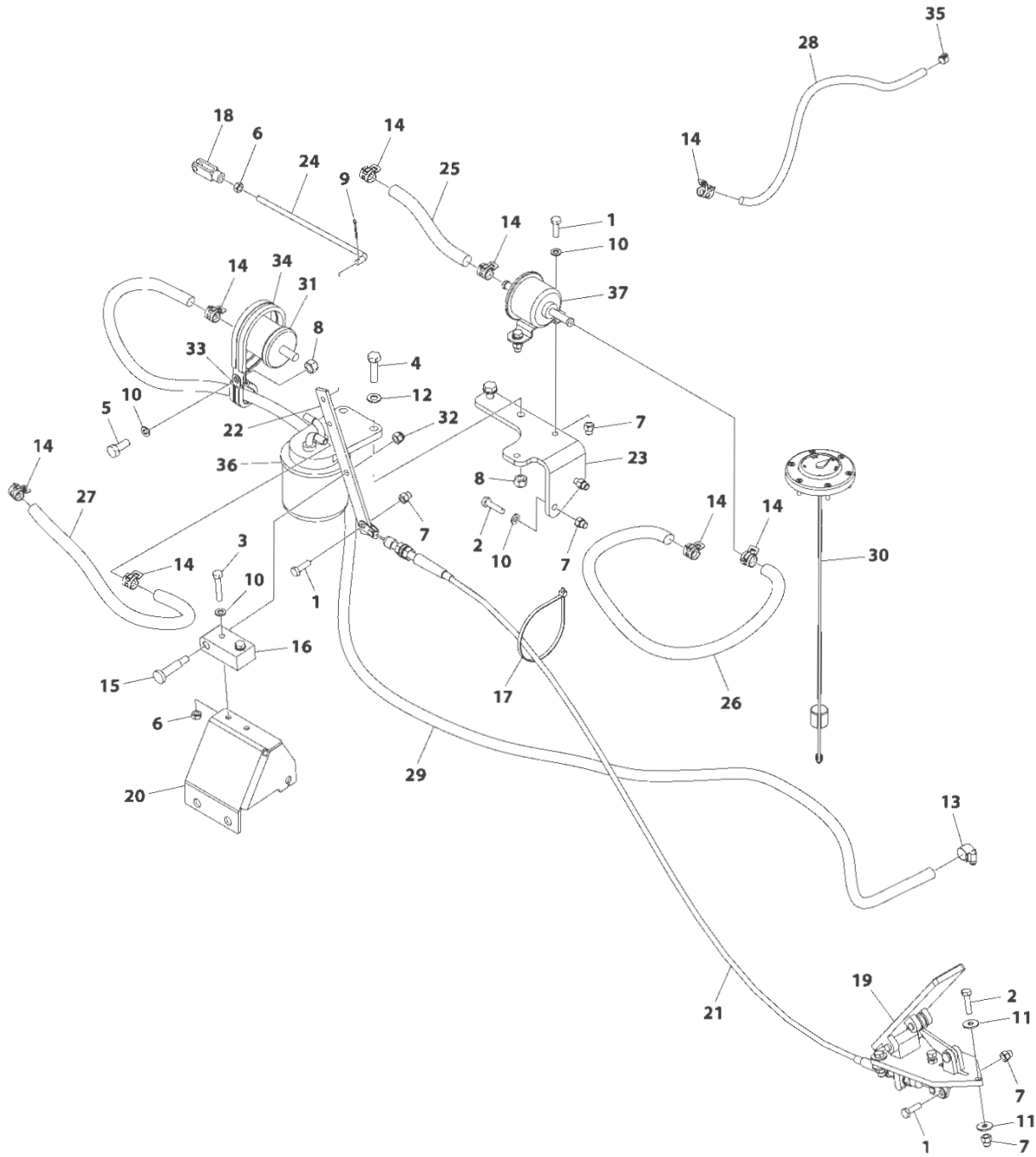
SECTION 4 - ENGINE AND ATTACHING PARTS

FIGURE 4-7. ENGINE MOUNTING INSTALLATION

ITEM	PART NUMBER	QTY	DESCRIPTION	REV
	1001262210	Ref	Engine Mounting Installation	A
1	0701015	2	Bolt, M10X35	
2	0761012	14	Bolt, M10X25	
3	3291205	8	Nut, Lock M12X1.75	
4	4832000	16	Washer, Lock M10	
5	1001262250	1	Bracket	
6	1001262251	1	Bracket	
7	1001262252	1	Bracket	
8	1001262272	4	Mount, Isolator	
9	1001262274	4	Washer	
10	1001262275	1	Bracket	
11	1001262279	16	Plate, U-Washer	

SECTION 4 - ENGINE AND ATTACHING PARTS

FIGURE 4-8. FUEL SYSTEM AND CONTROL INSTALLATION



ART_1001262215

SECTION 4 - ENGINE AND ATTACHING PARTS

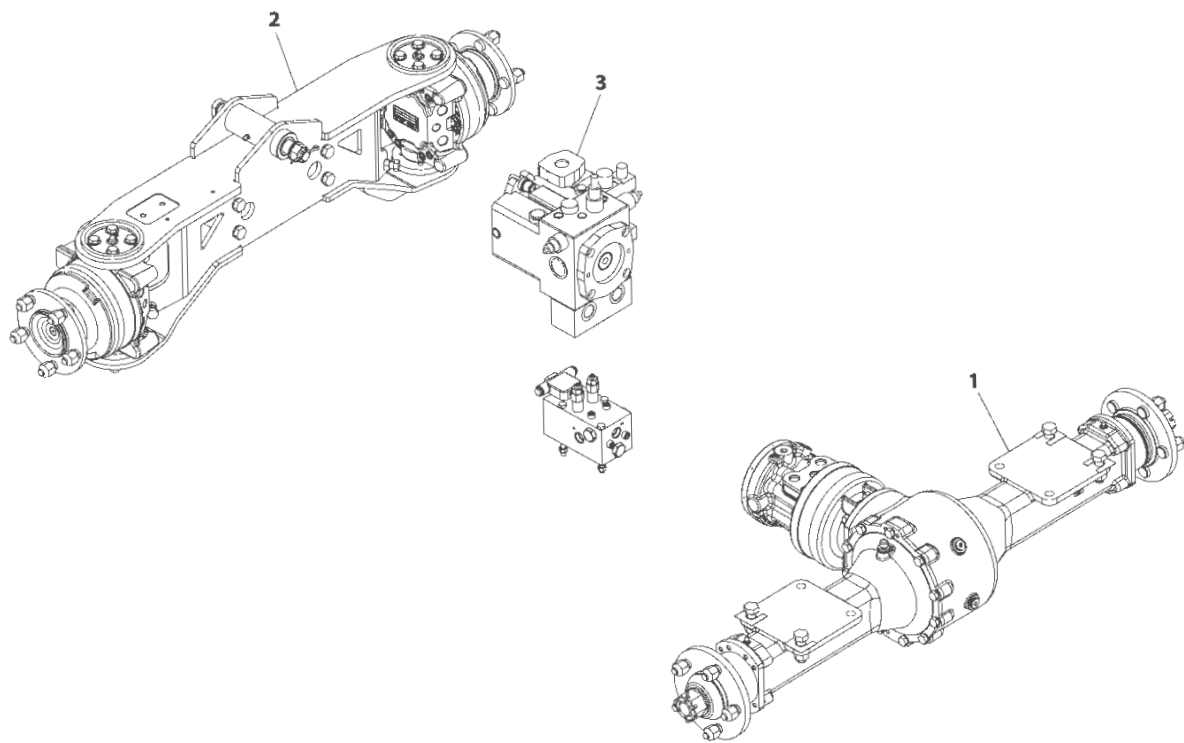
FIGURE 4-8. FUEL SYSTEM AND CONTROL INSTALLATION

ITEM	PART NUMBER	QTY	DESCRIPTION	REV
	1001262215	Ref	FUEL SYSTEM AND CONTROL - INSTALLATION	A
1	0700610	4	Bolt M6 x 20	
2	0700612	5	Bolt M6 x 25	
3	0700615	2	Bolt M6 x 35	
4	0700814	2	Bolt M8 x 30	
5	0760810	1	Bolt M8 x 20	
6	3290601	3	Nut M6	
7	3290606	9	Nut M6	
8	3290805	3	Nut M8	
9	3450203	1	Pin, Cotter	
10	4811700	7	Washer M6	
11	4811702	6	Washer M6	
12	4811900	2	Washer M8	
13	1001097522	1	Clamp	
14	1001213010	8	Clamp	
15	1001262417	1	Pin	
16	1001262410	1	Mount	
17	1001002454	1	Strap, Tie	
18	1001262499	1	Clevis, Throttle	
19	1001262416	1	Pedal	
20	1001262411	1	Bracket	
21	1001262418	1	Cable	
22	1001262412	1	Plate	
23	1001262415	1	Mount	
24	1001262414	1	Rod	
25	1001262422	1	Hose	
26	1001262419	1	Hose	
27	1001262420	1	Hose	
28	1001262421	1	Hose	
29	1001262423	1	Hose	
30	1001264300	1	Gauge, Fuel	
31	1001262424	1	Filter	
32	1001262433	1	Nut	
33	1001262471	1	Clamp	
34	1001262470	1	Clamp	
35	1001262469	1	Clamp	
36	1001262409	1	Filter, Kubota Fuel	
37	1001262408	1	Pump, Kubota Fuel	

SECTION 5 - DRIVE TRAIN

SECTION 5 - DRIVE TRAIN

FIGURE 5-1. DRIVETRAIN INSTALLATION



ART_1001262340

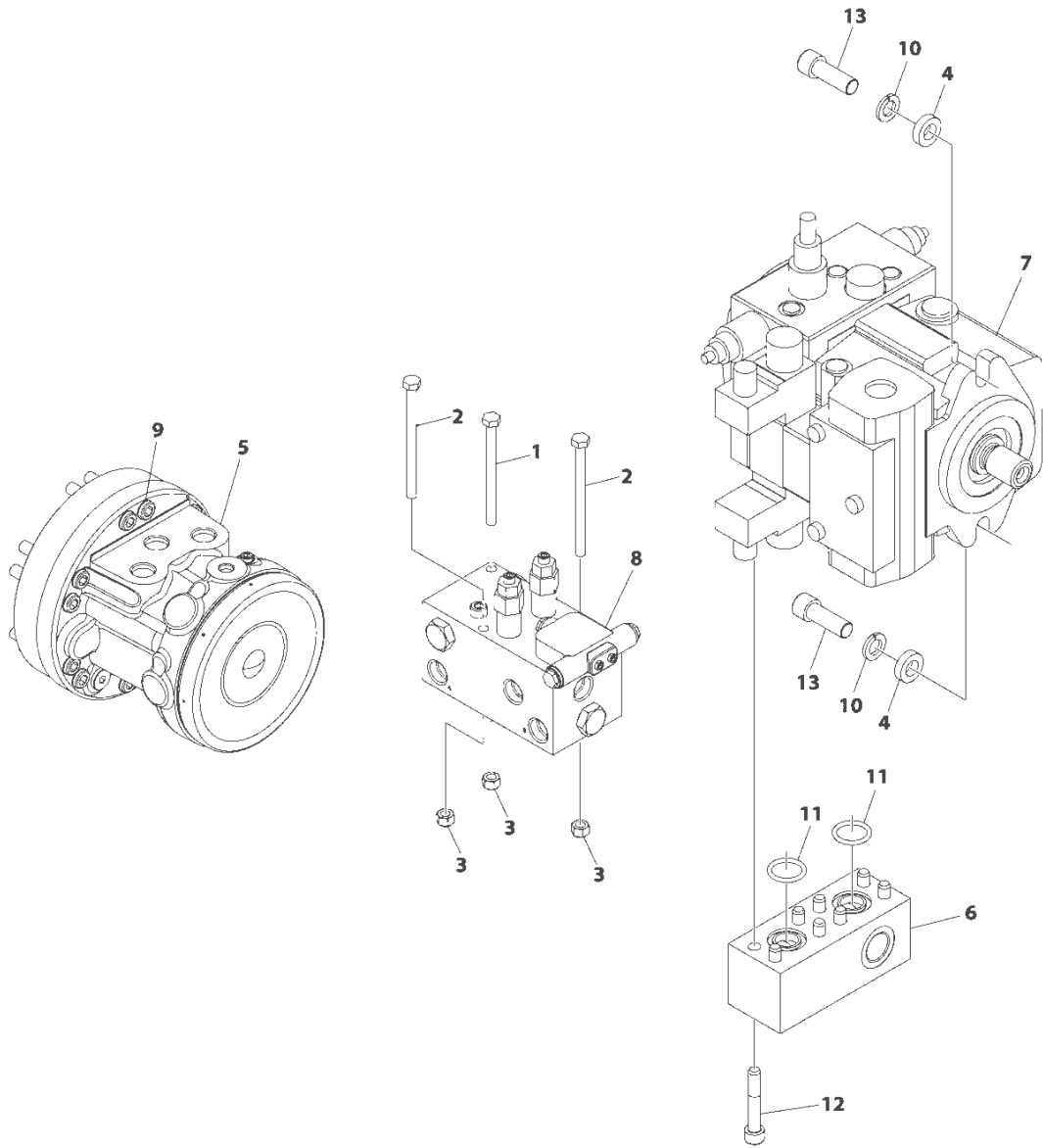
SECTION 5 - DRIVE TRAIN

FIGURE 5-1. DRIVETRAIN INSTALLATION

ITEM	PART NUMBER	QTY	DESCRIPTION	REV
	1001262340	Ref	DRIVETRAIN INSTALLATION	B
1	1001262341	1	Installation, Front Axle (See Separate Breakdown in this Section)	
2	1001262342	1	Installation, Rear Axle (See Separate Breakdown in this Section)	
3	1001262343	1	Installation, Transmission & Pump (See Separate Breakdown in this Section)	

SECTION 5 - DRIVE TRAIN

FIGURE 5-2. TRANSMISSION AND PUMP INSTALLATION



ART_1001262343

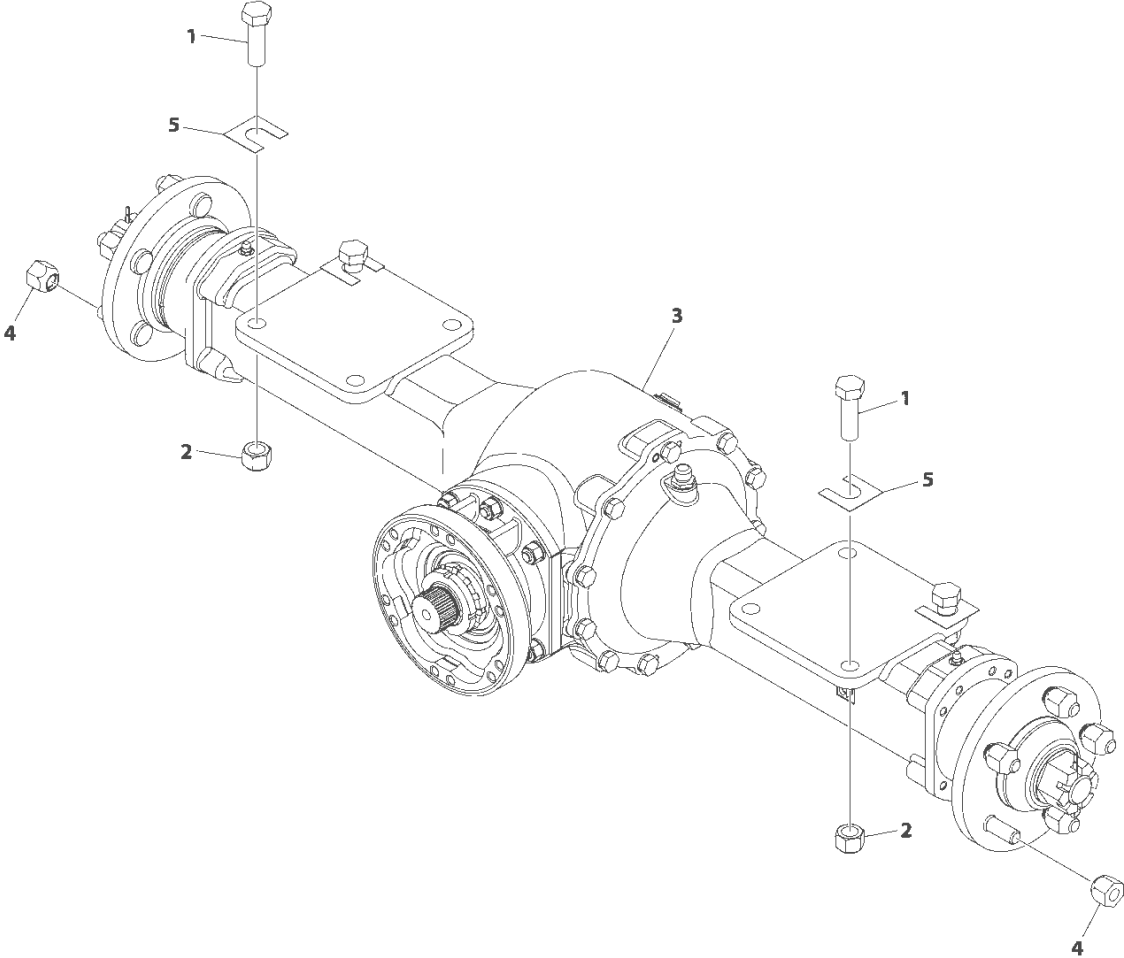
SECTION 5 - DRIVE TRAIN

FIGURE 5-2. TRANSMISSION AND PUMP INSTALLATION

ITEM	PART NUMBER	QTY	DESCRIPTION	REV
	1001262343	Ref	TRANSMISSION INSTALLATION	A
1	0700827	1	Bolt M8 x 100	
2	0700828	2	Bolt M8 x 110	
3	3290805	3	Nut M8	
4	1001262392	2	Washer M14	
5	1001262393	1	Transmission/Drive Motor	
5	70031358	1	Seal Kit	
5	70031359	1	Seal Kit	
6	1001262394	1	Manifold	
7	1001262395	1	Pump	
7	70031356	1	Control, Pump	
7	70031357	2	Coil	
7	70031370	1	Seal Kit	
8	1001262396	1	Valve	
9	1001262397	12	Washer M12	
10	1001262435	2	Washer M14	
11	1001262437	2	O-Ring	
12	1001262439	8	Screw M10 x 60	
13	1001262459	2	Screw M14 x 40	

SECTION 5 - DRIVE TRAIN

FIGURE 5-3. FRONT AXLE INSTALLATION



ART_1001262341

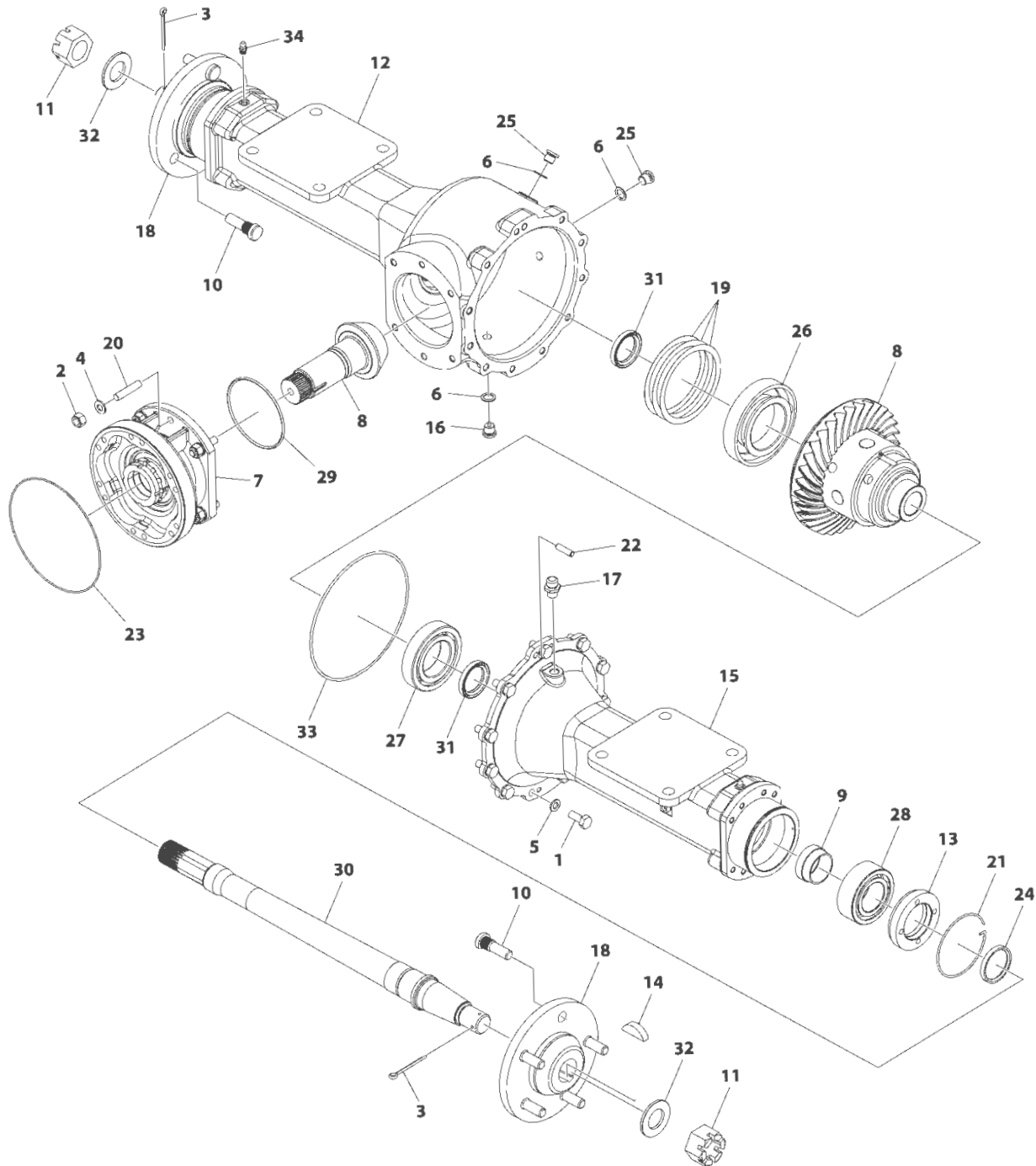
SECTION 5 - DRIVE TRAIN

FIGURE 5-3. FRONT AXLE INSTALLATION

ITEM	PART NUMBER	QTY	DESCRIPTION	REV
	1001262341	Ref	Front Axle Installation	A
1	0701618	4	Bolt M16X50	
2	3291605	4	Nut, Lock M16X2	
3	1001262347	1	Assembly, Front Axle (See Separate Breakdown in this Section)	
4	1001262358	10	Nut, M14	
5	1001262359	4	Plate	

SECTION 5 - DRIVE TRAIN

FIGURE 5-4. FRONT AXLE ASSEMBLY



ART_1001262347

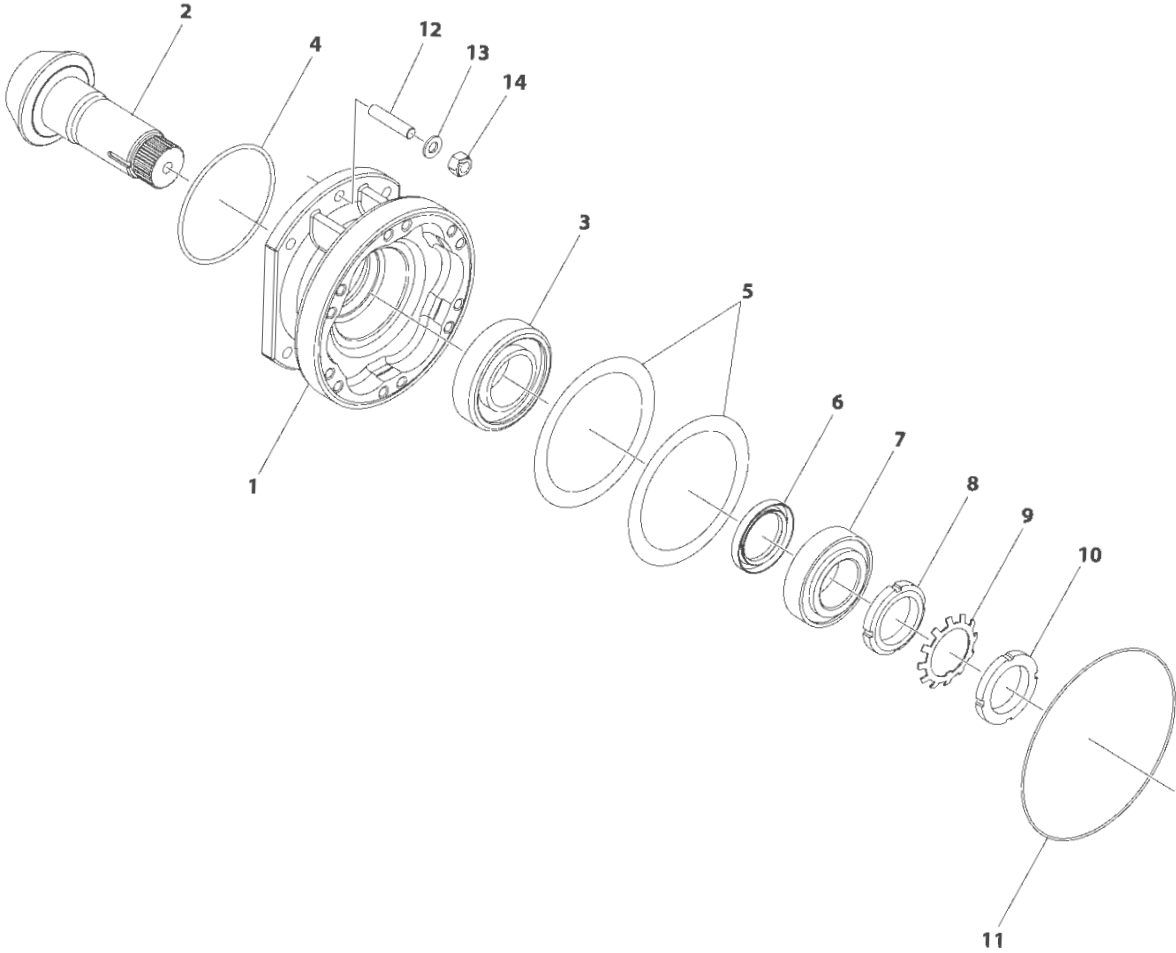
SECTION 5 - DRIVE TRAIN

FIGURE 5-4. FRONT AXLE ASSEMBLY

ITEM	PART NUMBER	QTY	DESCRIPTION	REV
	1001262347	Ref	FRONT AXLE ASSEMBLY	A
1	0761012	11	Bolt M10 x 25	
2	3291005	6	Nut M10	
3	3450508	2	Pin, Cotter	
4	4812000	6	Washer M10	
5	4832000	11	Washer M10	
6	1001262360	3	Washer M14	
7	1001262361	1	Pinion Assembly (See Separate Breakdown in this Section)	
8	1001262362	1	Shaft	
9	1001262363	2	Nut M44	
10	1001262364	10	Screw M14 x 50	
11	1001262365	2	Nut M30	
12	1001262366	1	Axle	
13	1001262367	2	Nut M88	
14	1001262368	2	Key	
15	1001262369	1	Axle	
16	1001262370	1	Plug	
17	1001262371	1	Vent	
18	1001262372	2	Hub	
19	1001262373	3	Shim	
20	1001262440	6	Stud	
21	1001262441	2	Ring	
22	1001262442	1	Pin	
23	1001262443	1	O-Ring	
24	1001262444	2	Seal	
25	1001262445	2	Plug	
26	1001262446	1	Bearing, Ball	
27	1001262447	1	Bearing, Ball	
28	1001262448	2	Bearing, Ball	
29	1001262449	1	O-Ring	
30	1001262450	2	Spindle	
31	1001262451	2	Clip	
32	1001262452	2	Washer	
33	1001262453	1	O-Ring	
34	1001261547	2	Fitting, Grease	

SECTION 5 - DRIVE TRAIN

FIGURE 5-5. PINION ASSEMBLY - FRONT AXLE



ART_1001262361

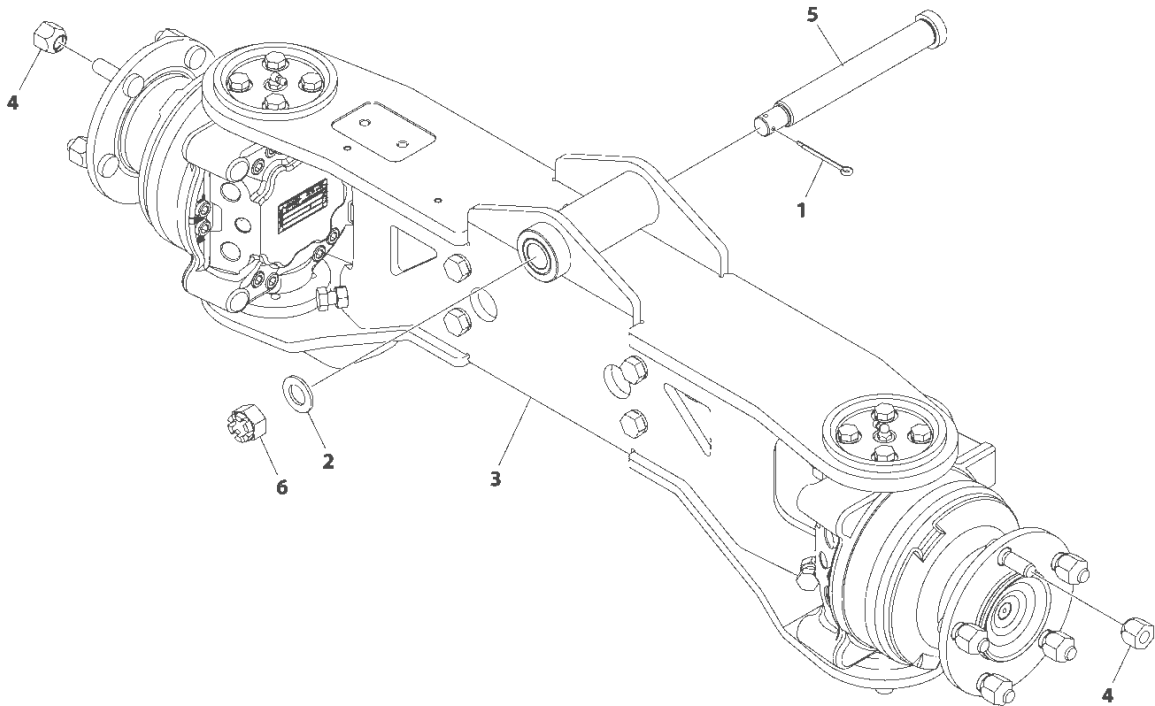
SECTION 5 - DRIVE TRAIN

FIGURE 5-5. PINION ASSEMBLY - FRONT AXLE

ITEM	PART NUMBER	QTY	DESCRIPTION	REV
	1001262361	Ref	PINION ASSEMBLY - FRONT AXLE	A
1		Ref	Cylindrical Coupling	
2	1001262362	Ref	Shaft	
3		Ref	Bearing	
4	1001262449	1	Gasket	
5		Ref	Shim Washer M0.3	
6		Ref	Seal	
7		Ref	Bearing	
8		Ref	Nut	
9		Ref	Lock Washer	
10		Ref	Nut	
11	1001262443	1	Gasket	
12	1001262440	6	Stud	
13	4812000	6	Washer	
14	3291005	6	Locking Nut	

SECTION 5 - DRIVE TRAIN

FIGURE 5-6. REAR AXLE INSTALLATION



ART_1001262342

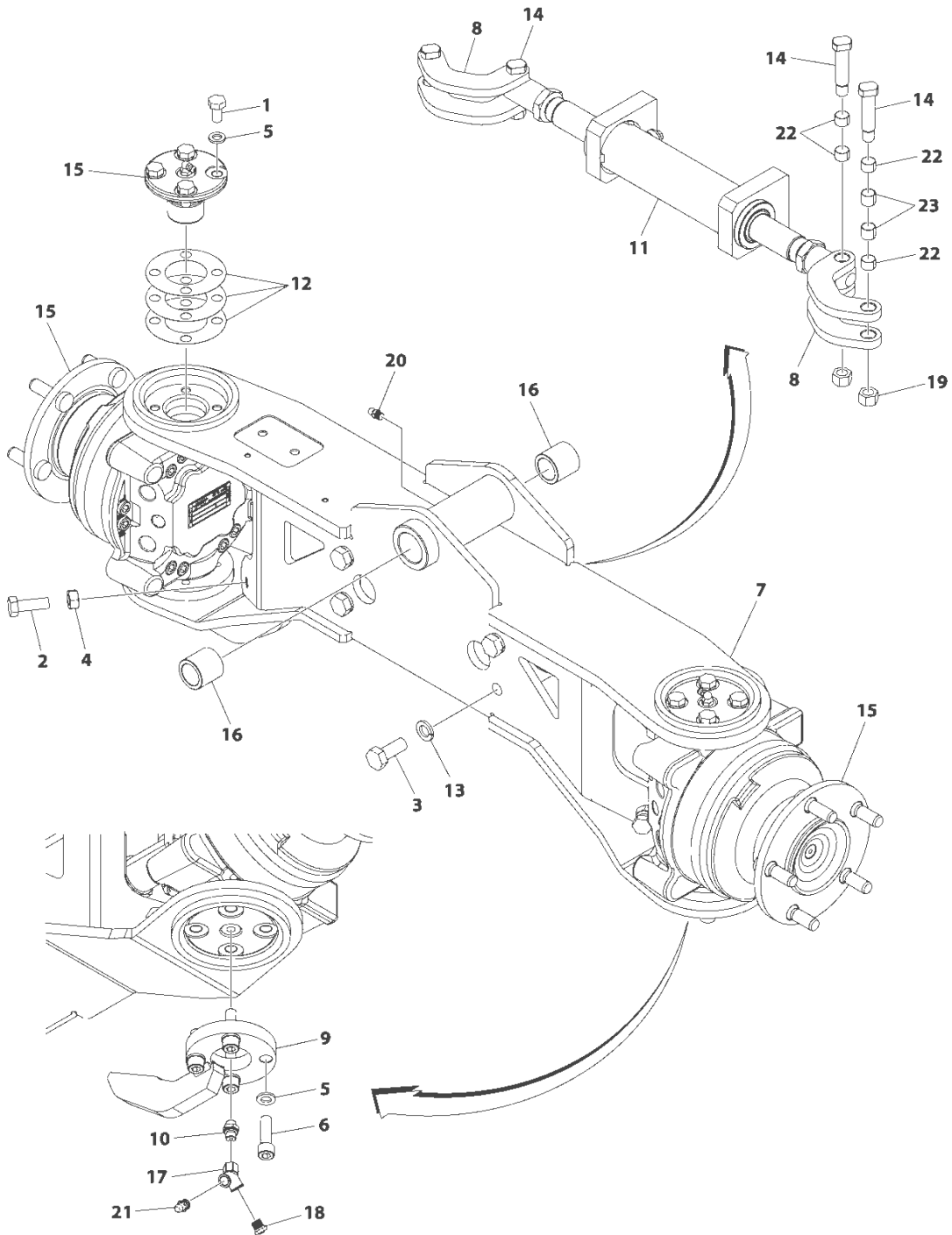
SECTION 5 - DRIVE TRAIN

FIGURE 5-6. REAR AXLE INSTALLATION

ITEM	PART NUMBER	QTY	DESCRIPTION	REV
	1001262342	Ref	Rear Axle Installation	B
1	3450508	1	Pin, Cotter	
2	4812500	1	Washer, M20	
3	1001262348	1	Assembly, Rear Axle (See Separate Breakdown in this Section)	
4	1001262358	10	Nut, M14	
5	1001262374	1	Pin	
6	1001262375	1	Nut, M20	

SECTION 5 - DRIVE TRAIN

FIGURE 5-7. REAR AXLE ASSEMBLY



ART_1001262348

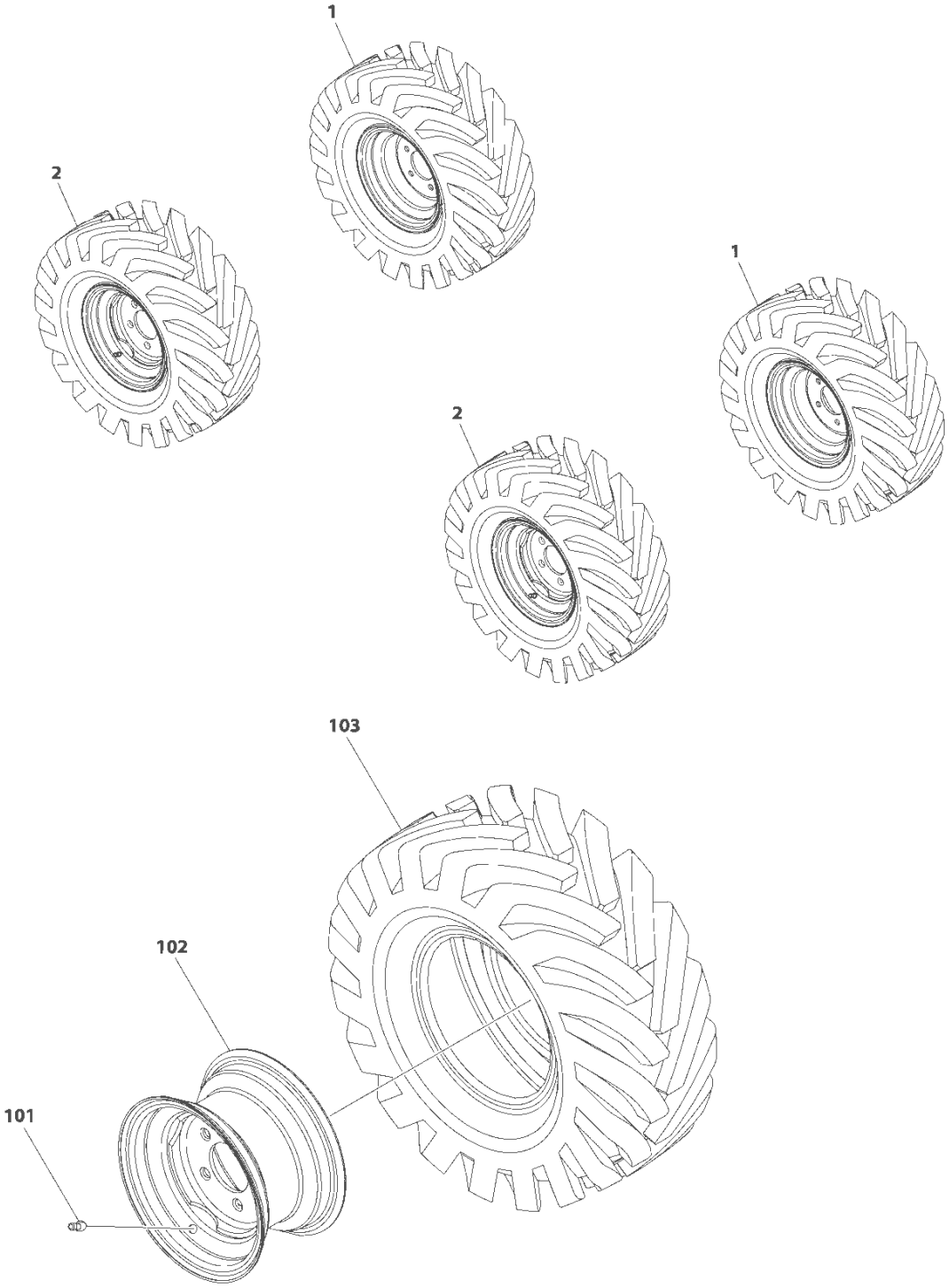
SECTION 5 - DRIVE TRAIN

FIGURE 5-7. REAR AXLE ASSEMBLY

ITEM	PART NUMBER	QTY	DESCRIPTION	REV
	1001262348	Ref	Rear Axle Assembly	C
1	0761010	8	Bolt, M10X20	
2	0761215	2	Bolt, M12X35	
3	0761415	4	Bolt, M14X35	
4	3291201	2	Nut, M12X1.75	
5	4832000	16	Washer, Lock M10	
6	5272011	8	Bolt, M10X35	
7	1001262384	1	Axle, Frame Weldment	
8	1001262385	4	Rod	
9	1001262388	2	Brace	
10	1001263323	2	Fitting, Straight	
11	1001262383	1	Cylinder, Rear Axle Steering (Prior to SN H160000342)	
11	1001294810	1	Cylinder, Rear Axle Steering (SN H160000342 through H160000374)	
11	1001299058	1	Cylinder, Rear Axle Steering (SN H160000375 to Present)	
12	1001262377	6	Shim	
13	1001262435	4	Washer, M14	
14	1001262376	4	Bolt	
15	1001262380	2	Motor, Drive Hub	
16	1001262386	2	Bearing	
17	1001262391	2	Adapter	
18	1001262389	2	Vent	
19	1001262382	4	Nut, M14	
20	1001261547	1	Fitting, Grease	
21	1001262390	2	Fitting, Grease	
22	1001262379	8	Bearing	
23	1001262381	4	Bearing	

SECTION 5 - DRIVE TRAIN

FIGURE 5-8. TIRE SET - 11.0/65X12 PNEUMATIC



ART_1001262485

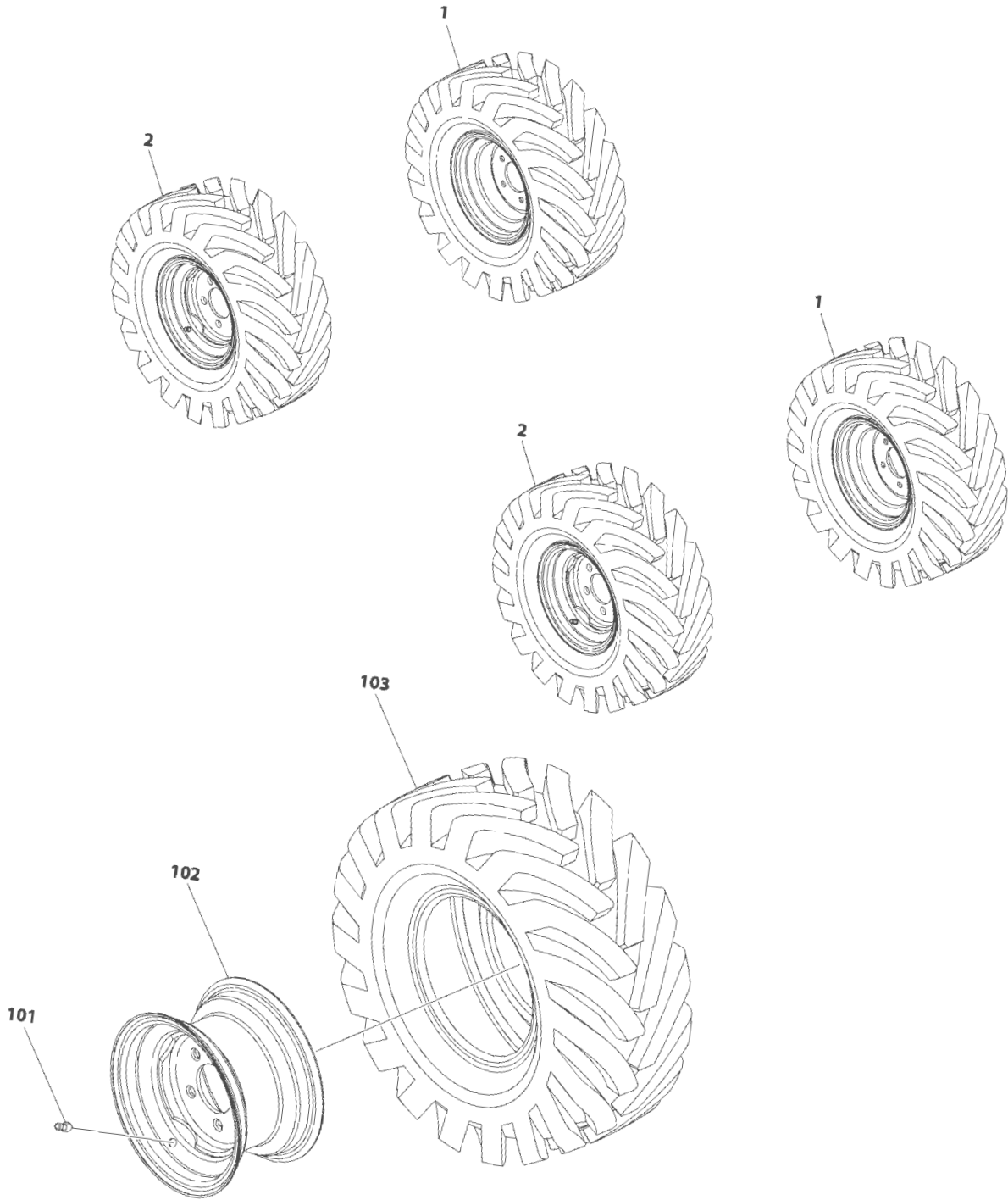
SECTION 5 - DRIVE TRAIN

FIGURE 5-8. TIRE SET - 11.0/65X12 PNEUMATIC

ITEM	PART NUMBER	QTY	DESCRIPTION	REV
	1001262485	Ref	TIRE SET - 11.0/65X12 PNEUMATIC	A
1	1001262610	2	Assembly, Left Tire Set (See Items 101-103 for Breakdown)	C
2	1001262611	2	Assembly, Right Tire Set (See Items 101-103 for Breakdown)	C
101	1001262612	4	Valve, Air (1 Per Assembly)	
102	1001277514	4	Rim, Wheel (1 Per Assembly)	
103	1001277515	4	Tire 11.0/65X12 (1 Per Assembly)	

SECTION 5 - DRIVE TRAIN

FIGURE 5-9. TIRE/WHEEL SET - 11.0/65X12 FOAM FILLED



ART_1001262486

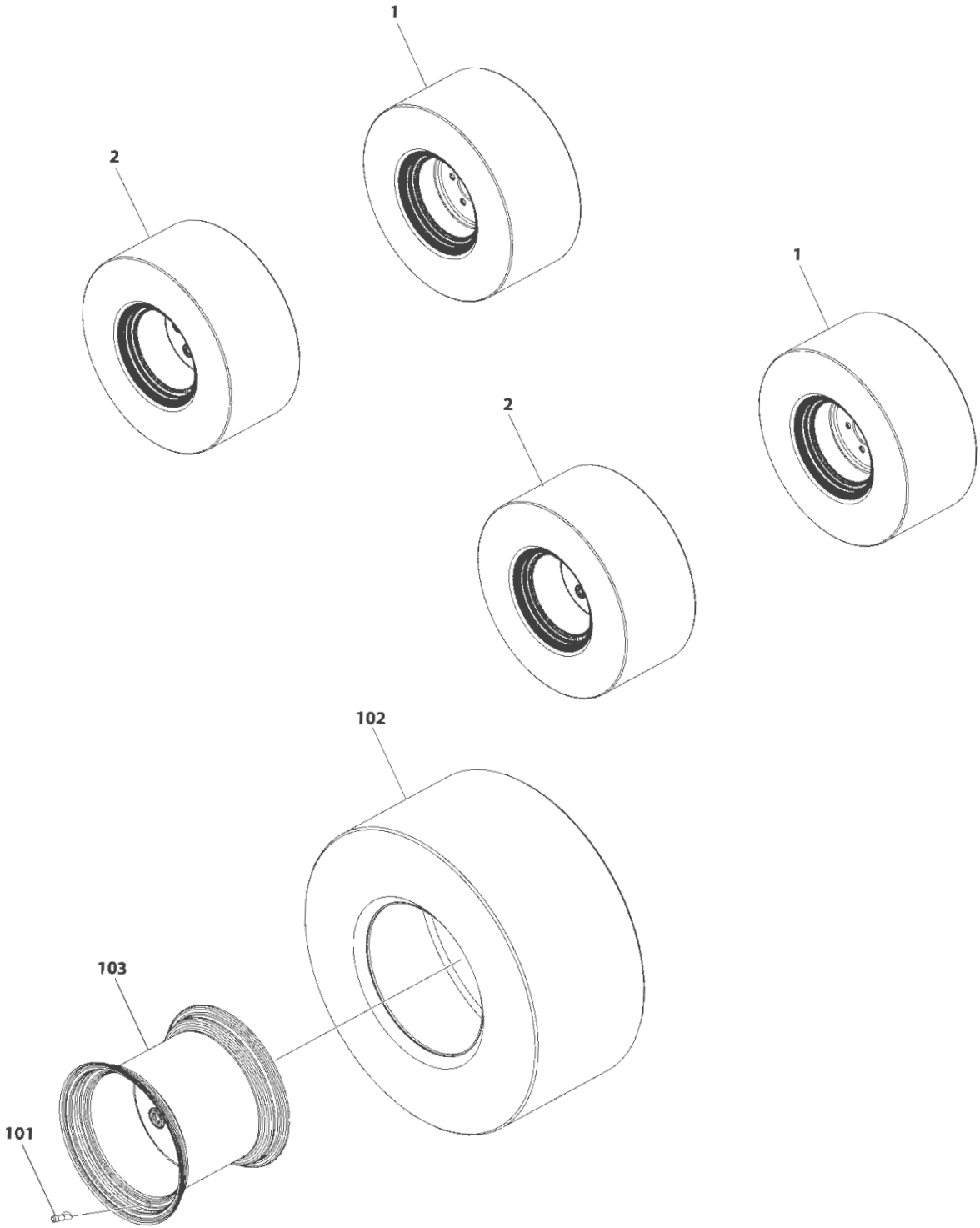
SECTION 5 - DRIVE TRAIN

FIGURE 5-9. TIRE/WHEEL SET - 11.0/65X12 FOAM FILLED

ITEM	PART NUMBER	QTY	DESCRIPTION	REV
	1001262486	Ref	TIRE/WHEEL SET - 11.0/65X12 FOAM FILLED	A
		Ref	Note: Assemblies require ballast/foam filling to manufacture's specifications prior to installing on machine. Refer to Operation & Safety or Service & Maintenance Manuals.	
		Ref	Purchase individual tire and/or wheel only if able to foam fill tire & wheel assembly, otherwise purchase complete assembly.	
1	1001264339	2	Assembly, Left Tire/Wheel (See Item 101-103 for Breakdown)	
2	1001264340	2	Assembly, Right Tire/Wheel (See Item 101-103 for Breakdown)	
101	1001262612	4	Valve, Air (1 per assembly)	
102	1001277514	4	Rim, Wheel (1 per assembly)	
103	1001277515	4	Tire 11.0/65 x 12 (1 per assembly)	

SECTION 5 - DRIVE TRAIN

FIGURE 5-10. TIRE/WHEEL SET - 26X12-12 TURF



ART_1001262489

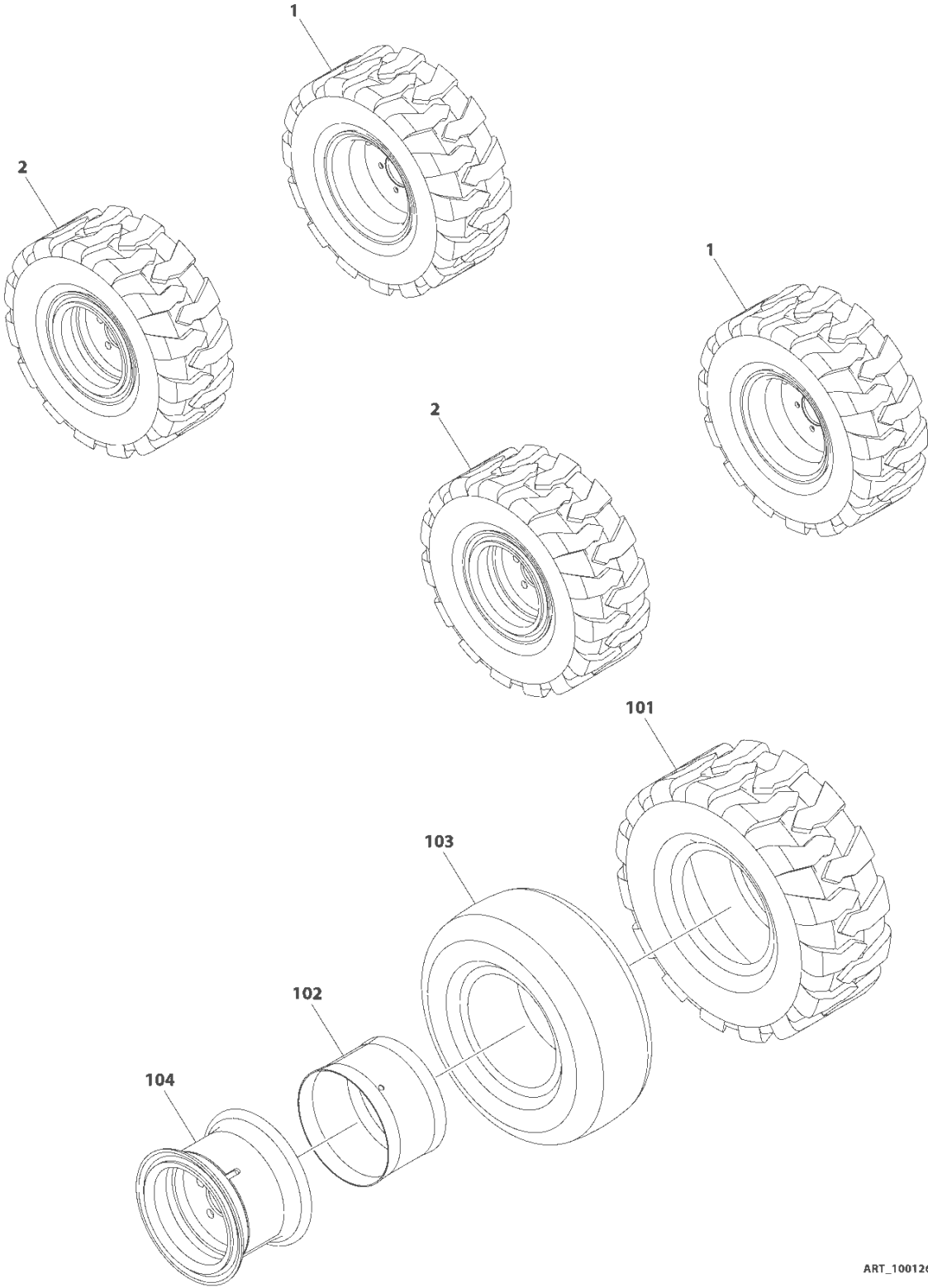
SECTION 5 - DRIVE TRAIN

FIGURE 5-10. TIRE/WHEEL SET - 26X12-12 TURF

ITEM	PART NUMBER	QTY	DESCRIPTION	REV
	1001262489	Ref	TIRE/WHEEL SET - 26X12-12 TURF	A
1	1001262625	2	Assembly, Left Tire/Wheel (See Item 101-103 for Breakdown)	C
2	1001262626	2	Assembly, Right Tire/Wheel (See Item 101-103 for Breakdown)	C
101	1001262612	4	Valve, Air (1 per assembly)	
102	1001277540	4	Tire 26 x 12-12 Turf (1 per assembly)	
103	1001277545	4	Wheel, Rim (1 per assembly)	

SECTION 5 - DRIVE TRAIN

FIGURE 5-11. TIRE/WHEEL SET - 27X10-12 PNEUMATIC



ART_1001262487

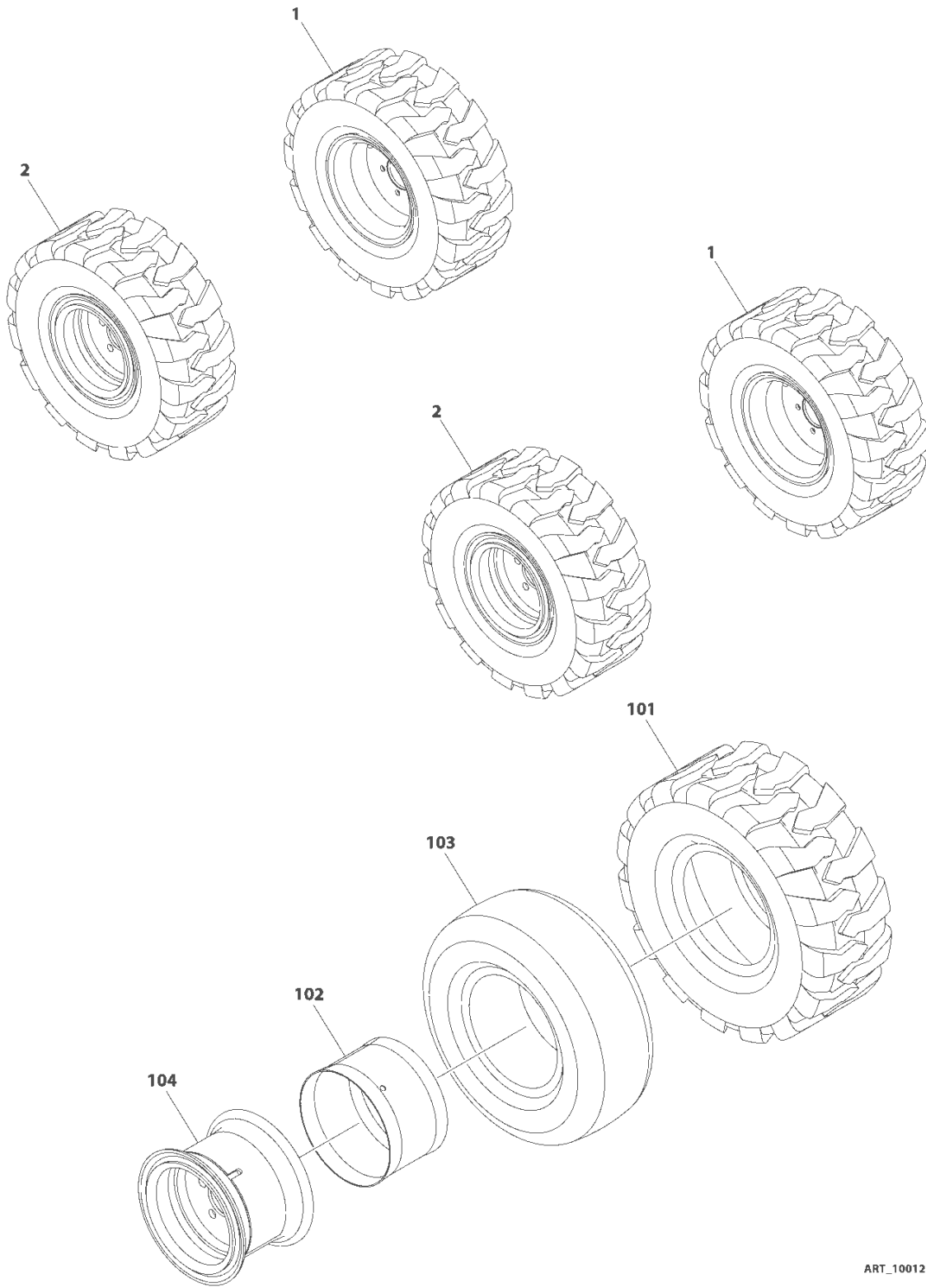
SECTION 5 - DRIVE TRAIN

FIGURE 5-11. TIRE/WHEEL SET - 27X10-12 PNEUMATIC

ITEM	PART NUMBER	QTY	DESCRIPTION	REV
	1001262487	Ref	TIRE/WHEEL SET - 27X10-12 PNEUMATIC	A
1	1001262616	2	Assembly, Left Tire Set (See Items 101-104 for Breakdown)	A
2	1001262617	2	Assembly, Right Tire Set (See Items 101-104 for Breakdown)	A
101	1001262615	1	Tire 26x10-12 Non Marking (1 Per Assembly)	
102	1001262624	1	Rim, Wheel (1 Per Assembly)	
103	1001262622	1	Tube, Guard 12' 27x10	
104	1001262623	1	Tube, 12' 27x10	

SECTION 5 - DRIVE TRAIN

FIGURE 5-12. TIRE/WHEEL SET – 27X10-12 FOAM FILLED



ART_1001262488

SECTION 5 - DRIVE TRAIN

FIGURE 5-12. TIRE/WHEEL SET – 27X10-12 FOAM FILLED

ITEM	PART NUMBER	QTY	DESCRIPTION	REV
	1001262488	Ref	TIRE/WHEEL SET - 27X10-12 FOAM FILLED	A
		Ref	Note: Assemblies require ballast/foam filling to manufacture's specifications prior to installing on machine. Refer to Operation & Safety or Service & Maintenance Manuals.	
		Ref	Purchase individual tire and/or wheel only if able to foam fill tire & wheel assembly, otherwise purchase complete assembly.	
1	1001264305	2	Assembly, Left Tire/Wheel (See Item 101-105 for Breakdown)	B
2	1001264306	2	Assembly, Right Tire/Wheel (See Item 101-105 for Breakdown)	B
101	1001262615	1	Tire, 27x10-12 Non Marking	
102	1001262622	1	Tube, Guard	
103	1001262623	1	Tube	
104	1001262624	1	Wheel, Rim	

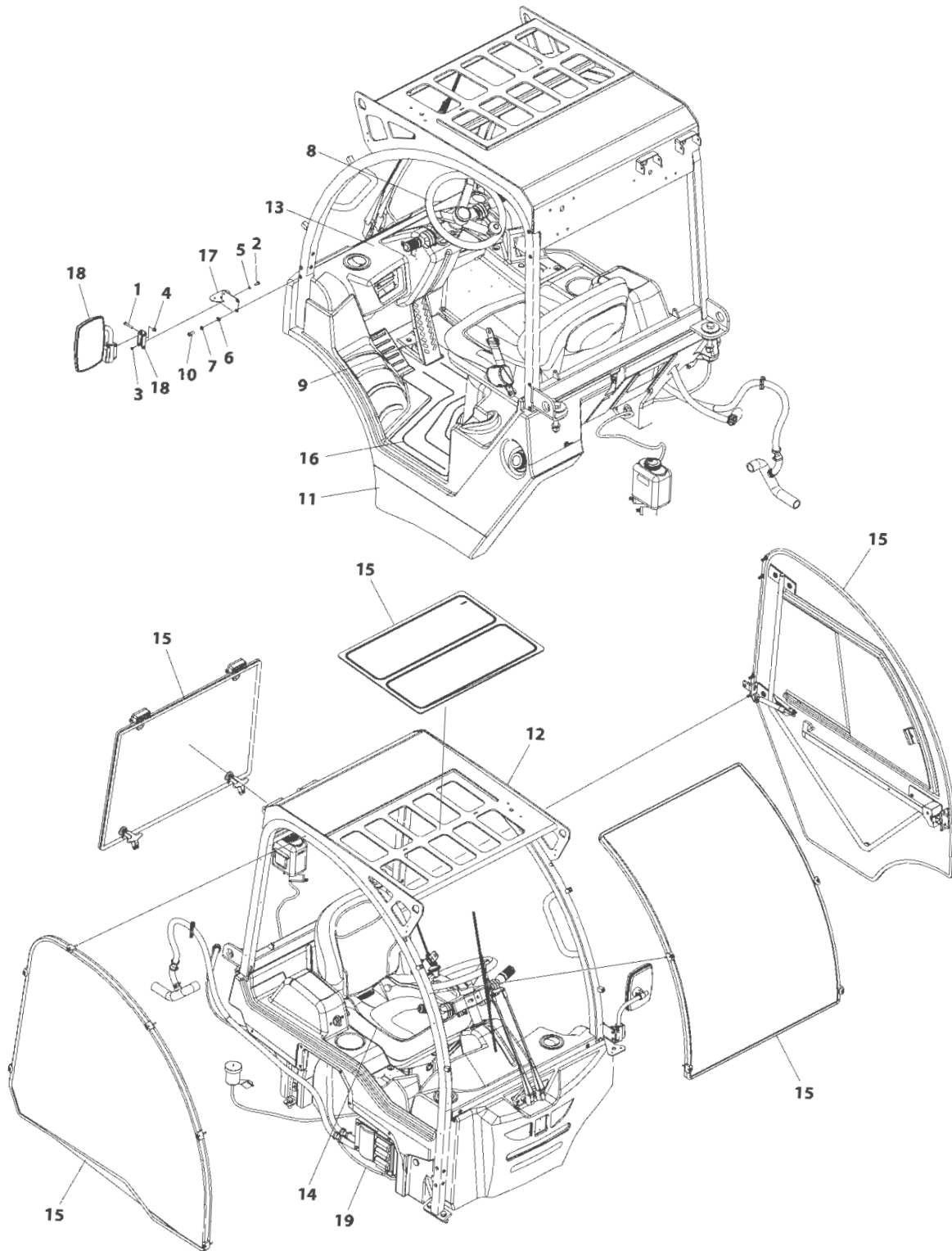
SECTION 6 - CAB

FIGURE 6-1. CAB INSTALLATION - OPEN

ITEM	PART NUMBER	QTY	DESCRIPTION	REV
	1001262565	Ref	CAB INSTALLATION - OPEN	A
1	0700615	2	Bolt M6 x 35	
2	0760508	2	Bolt M5 x 16	
3	3290505	2	Nut M5	
4	3290606	2	Nut, Cap M6	
5	4811600	2	Washer M5	
6	4811900	2	Washer M8	
7	4831900	2	Washer M8	
8	1001262562	Ref	Installation, Steering (See Separate Breakdown in CONTROLS Section)	
9	1001262563	Ref	Installation, Break System (See Separate Breakdown in CONTROLS Section)	
10	1001262664	2	Screw M8 x 20	
11	1001262760	Ref	Installation, Fuel Tank (See Separate Breakdown in this Section)	
12	1001263051	Ref	Installation, Cab Structure (See Separate Breakdown in this Section)	
13	1001263052	Ref	Installation, Cab Dash (See Separate Breakdown in this Section)	
14	1001263053	Ref	Installation, Seat (See Separate Breakdown in this Section)	
15	1001263054	Ref	Installation, Open Cab Glass (See Separate Breakdown in this Section)	
16	1001263990	1	Cab, Floor Mat	
17	1001263991	1	Bracket	
18	1001263995	1	Mirror	

SECTION 6 - CAB

FIGURE 6-2. CAB INSTALLATION - ENCLOSED



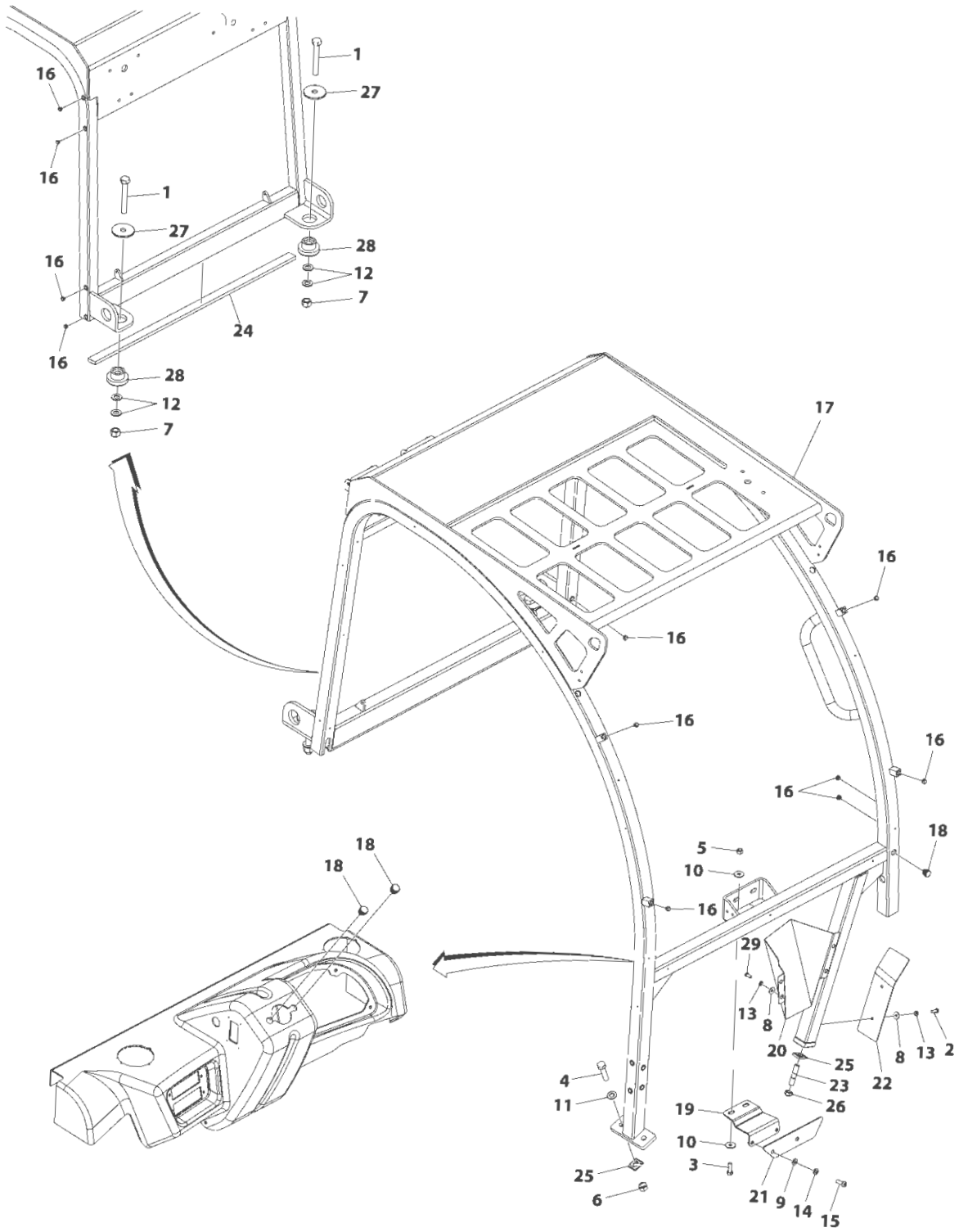
ART_1001262564

FIGURE 6-2. CAB INSTALLATION - ENCLOSED

ITEM	PART NUMBER	QTY	DESCRIPTION	REV
	1001262564	Ref	CAB INSTALLATION - ENCLOSED	A
1	0700615	2	Bolt M6 x 35	
2	0760508	2	Bolt M5 x 16	
3	3290505	2	Nut M5	
4	3290606	2	Nut M6	
5	4811600	2	Washer M5	
6	4811900	2	Washer M8	
7	4831900	2	Washer M8	
8	1001262562	Ref	Installation, Steering (See Separate Breakdown in CONTROLS Section)	
9	1001262563	Ref	Installation, Break System (See Separate Breakdown in CONTROLS Section)	
10	1001262664	2	Screw M8 x 20	
11	1001262760	Ref	Installation, Fuel Tank (See Separate Breakdown in this Section)	
12	1001263051	Ref	Installation, Cab Structure (See Separate Breakdown in this Section)	
13	1001264350	Ref	Installation, Enclosed Cab Dash (See Separate Breakdown in this Section)	
14	1001263053	Ref	Installation, Seat (See Separate Breakdown in this Section)	
15	1001264351	Ref	Installation, Enclosed Cab Glass (See Separate Breakdown in this Section)	
16	1001263990	1	Cab, Floor Mat	
17	1001263991	1	Bracket	
18	1001263995	1	Mirror	
19	1001264352	Ref	Installation, Enclosed Cab Items (See Separate Breakdown in this Section)	

SECTION 6 - CAB

FIGURE 6-3. CAB STRUCTURE INSTALLATION



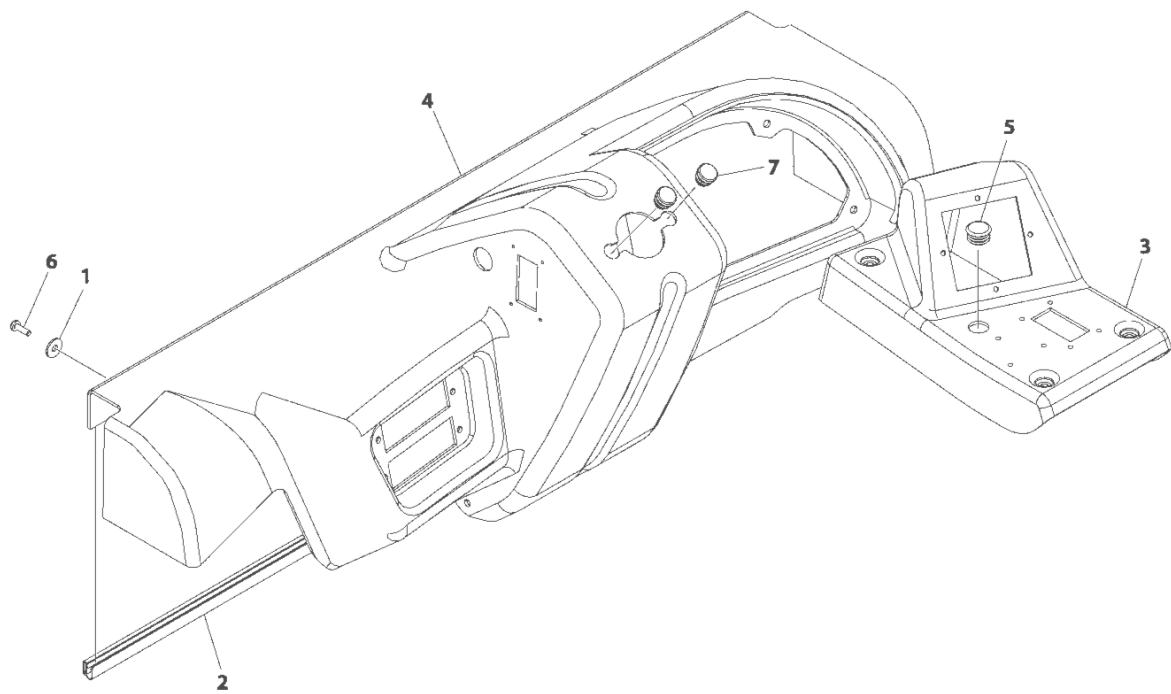
ART_1001263051

FIGURE 6-3. CAB STRUCTURE INSTALLATION

ITEM	PART NUMBER	QTY	DESCRIPTION	REV
	1001263051	Ref	Cab Structure Installation	A
1	0701628	2	Bolt, M16X110	
2	0760608	2	Bolt, M6X16	
3	0760812	2	Bolt, M8X25	
4	0761218	2	Bolt, M12X50	
5	3290805	2	Nut, Lock M8X1.25	
6	3291207	2	Nut, Lock M12X1.75	
7	3291605	2	Nut, Lock M16X2	
8	4811702	6	Washer, M6	
9	4811900	2	Washer, M8	
10	4811902	4	Washer, M8	
11	4812100	2	Washer, M12	
12	4812300	4	Washer, M16	
13	4831700	6	Washer, Lock M6	
14	4831900	2	Washer, Lock M8	
15	1001261564	2	Screw, M8X25	
16	1001261567	11	Plug	
17	1001263783	1	Cab	
18	1001264008	3	Plug	
19	1001264010	1	Bracket	
20	1001264011	1	Bracket	
21	1001264012	1	Plate, Cab Support	
22	1001264013	1	Panel, Cab Tank	
23	1001264015	1	Stud	
24	1001264016	815 mm	Seal	
25	1001264017	3	Washer, M14	
26	1001264018	1	Nut, M12	
27	1001264019	2	Washer, M16	
28	1001264020	2	Mount, Isolator	
29	1001264021	4	Screw, M6X15	

SECTION 6 - CAB

FIGURE 6-4. DASH INSTALLATION - OPEN CAB



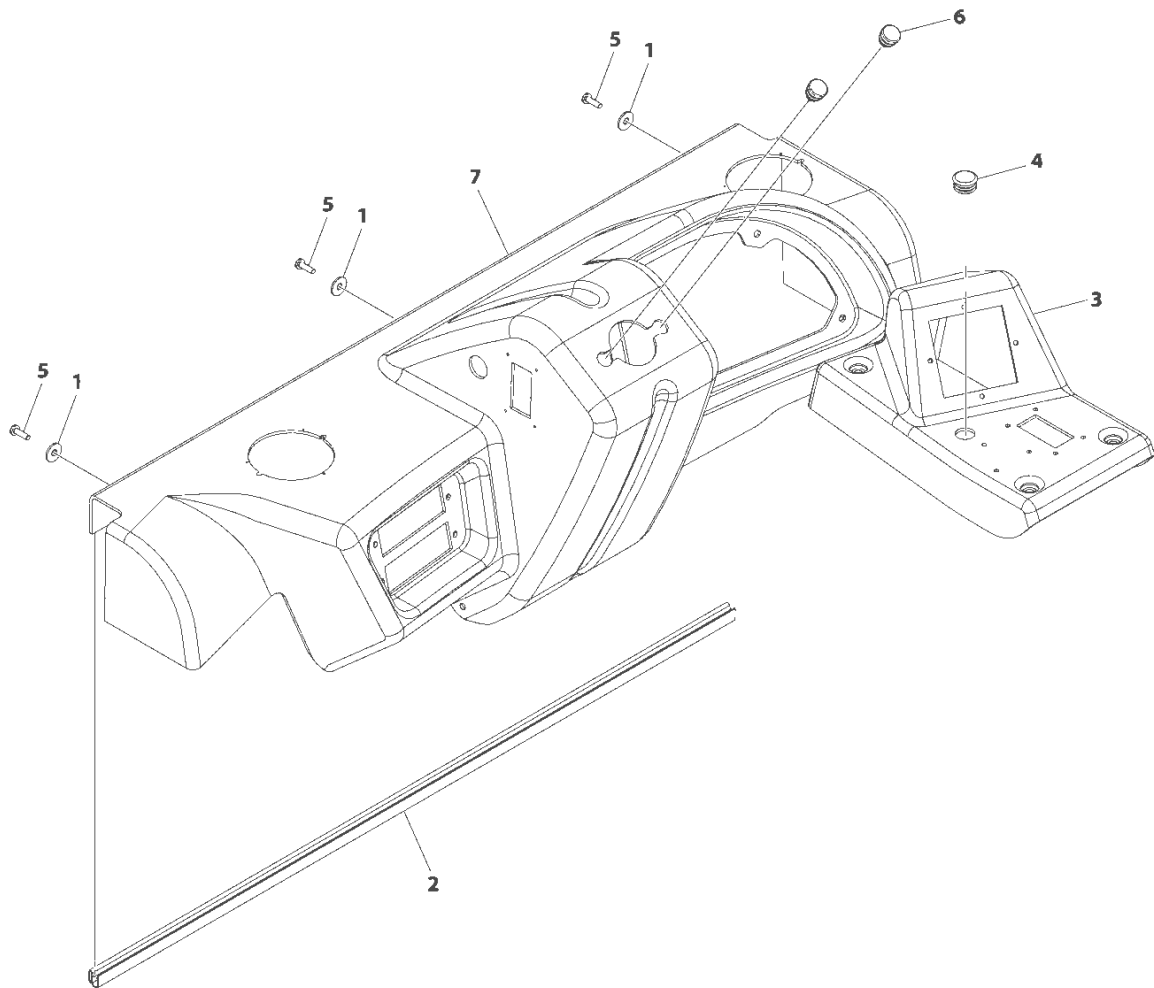
ART_1001263052

FIGURE 6-4. DASH INSTALLATION - OPEN CAB

ITEM	PART NUMBER	QTY	DESCRIPTION	REV
	1001263052	Ref	DASH INSTALLATION - OPEN CAB	A
1	4811702	3	Washer M6	
2	1001263887	1	Seal	
3	1001264004	1	Cover	
4	1001264005	1	Cover	
5	1001264006	1	Plug	
6	1001264007	3	Screw M5 x 16	
7	1001264008	2	Plug	

SECTION 6 - CAB

FIGURE 6-5. DASH INSTALLATION - ENCLOSED CAB



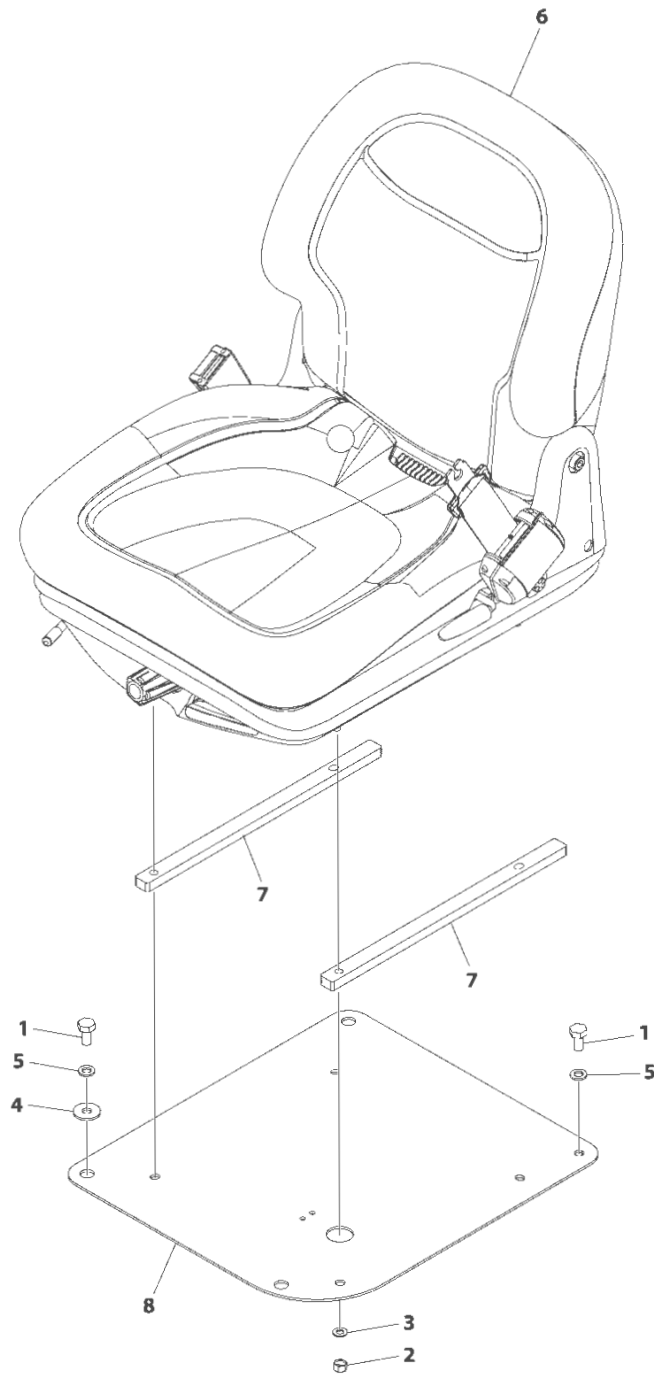
ART_1001264350

FIGURE 6-5. DASH INSTALLATION - ENCLOSED CAB

ITEM	PART NUMBER	QTY	DESCRIPTION	REV
	1001264350	Ref	DASH INSTALLATION - ENCLOSED CAB	A
1	4811702	3	Washer M6	
2	1001264708	1	Seal	
3	1001264004	1	Cover	
4	1001264006	1	Plug	
5	1001264007	3	Screw M5 x 16	
6	1001264008	2	Plug	
7	1001264476	1	Cover	

SECTION 6 - CAB

FIGURE 6-6. SEAT INSTALLATION



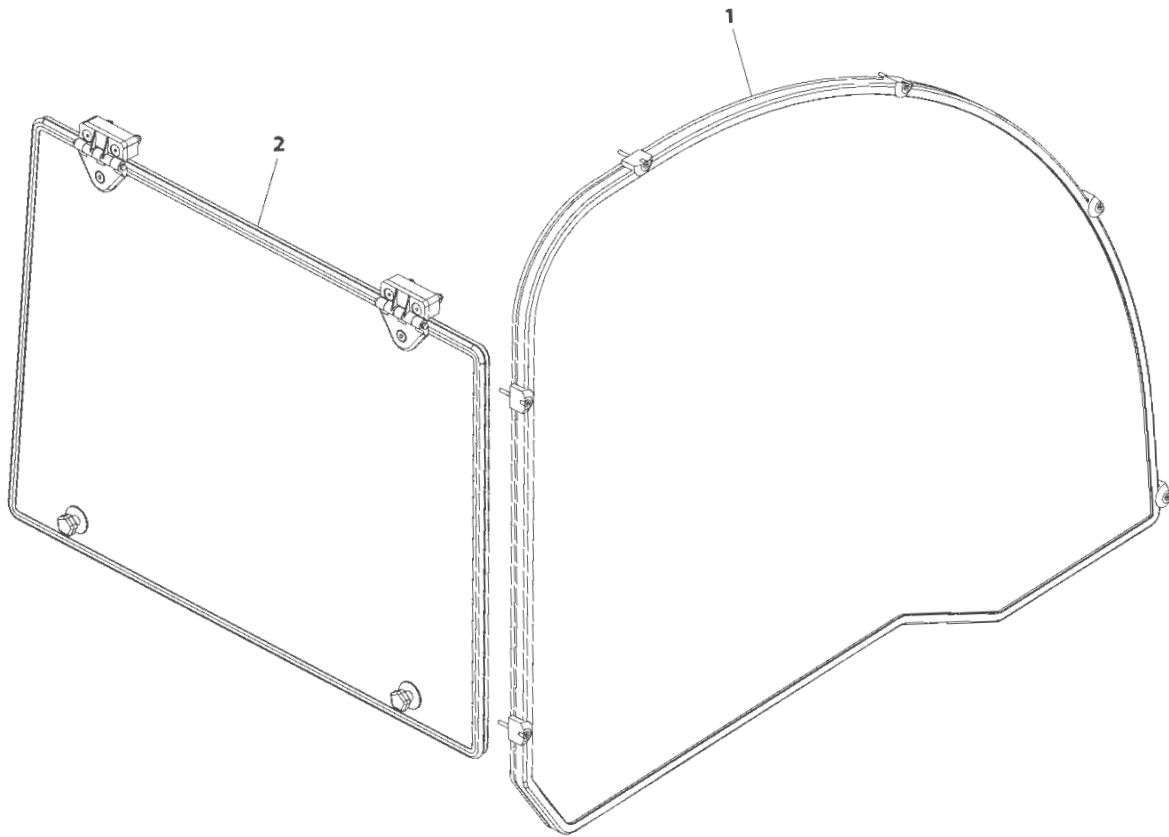
ART_1001263053

FIGURE 6-6. SEAT INSTALLATION

ITEM	PART NUMBER	QTY	DESCRIPTION	REV
	1001263053	Ref	Seat Installation	A
1	0761010	4	Bolt, M10X20	
2	3290805	4	Nut, Lock M8X1.25	
3	4811900	4	Washer, M8	
4	4812002	3	Washer, M10	
5	4832000	4	Washer, Lock M10	
6	1001263782	1	Seat	
7	1001264002	2	Bar	
8	1001264003	1	Plate	

SECTION 6 - CAB

FIGURE 6-7. GLASS INSTALLATION - OPEN CAB



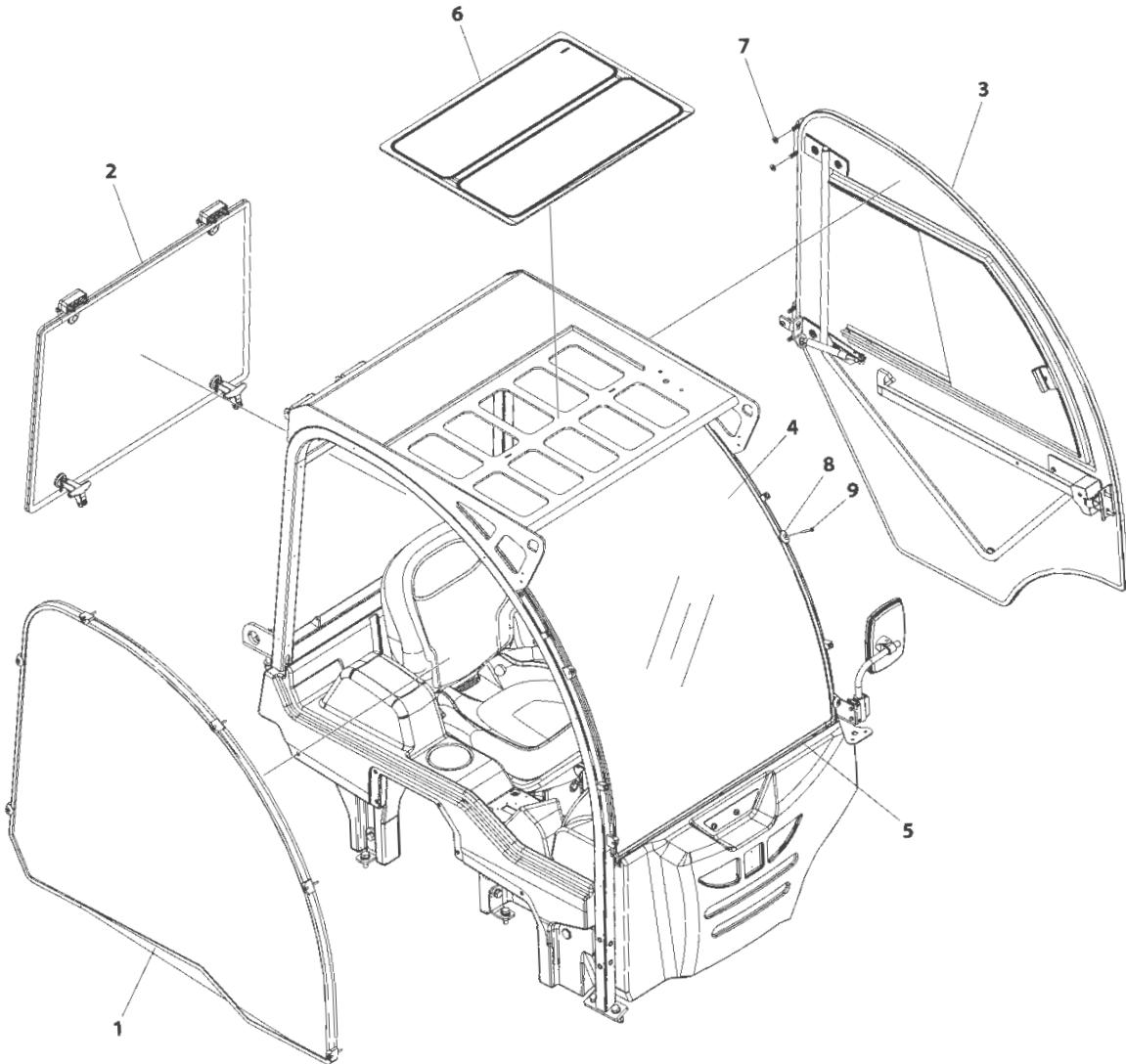
ART_1001263054

FIGURE 6-7. GLASS INSTALLATION - OPEN CAB

ITEM	PART NUMBER	QTY	DESCRIPTION	REV
	1001263054	Ref	GLASS INSTALLATION - OPEN CAB	A
1	1001263997	1	Cab, Glass Side	
2	1001263998	1	Cab, Rear Exit Window	

SECTION 6 - CAB

FIGURE 6-8. GLASS INSTALLATION - ENCLOSED CAB



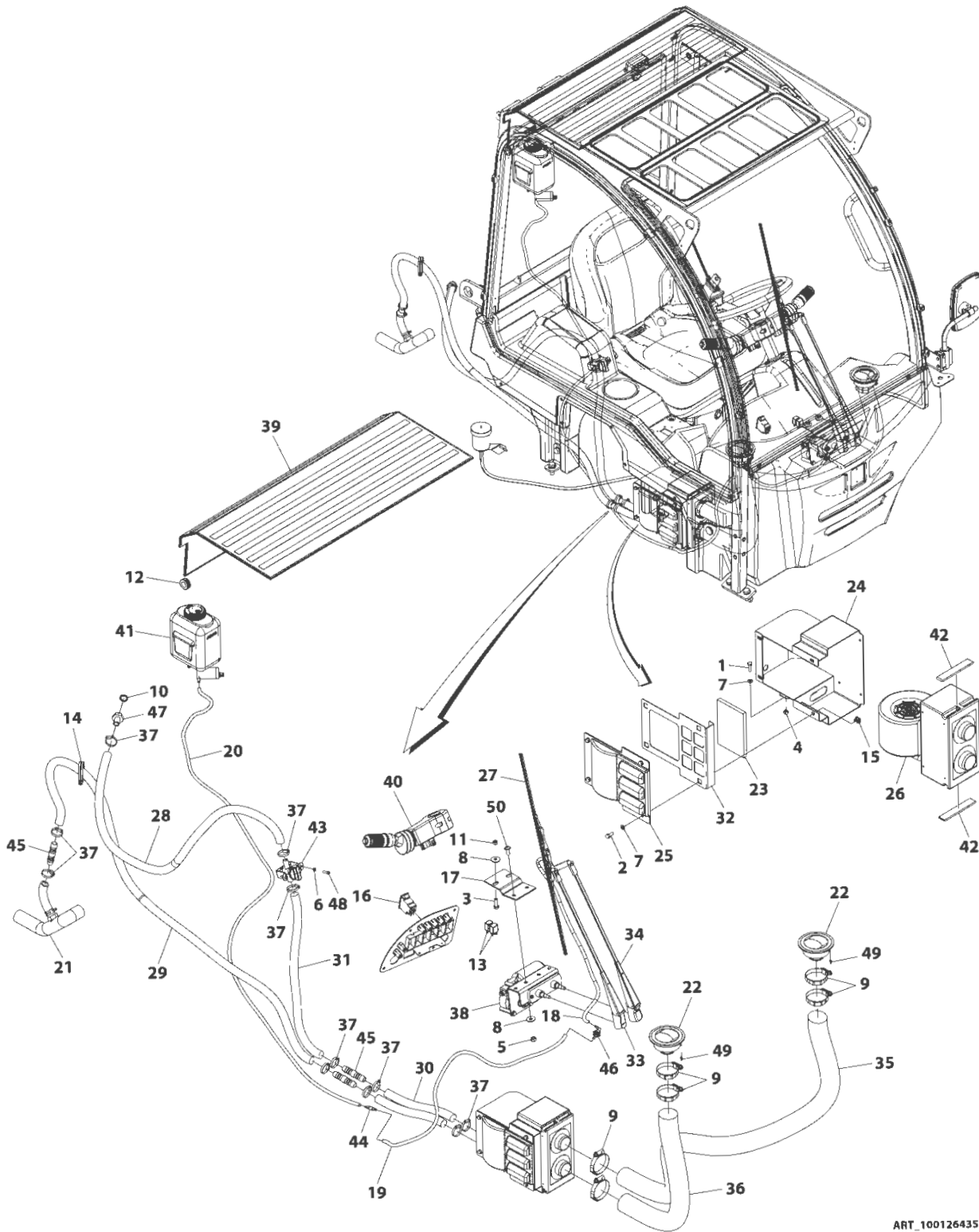
ART_1001264351

FIGURE 6-8. GLASS INSTALLATION - ENCLOSED CAB

ITEM	PART NUMBER	QTY	DESCRIPTION	REV
	1001264351	Ref	GLASS INSTALLATION - ENCLOSED CAB	A
1	1001263997	1	Cab, Glass Side	
2	1001263998	1	Cab, Rear Exit Window	
3	1001264477	1	Cab, Door	
3	70030741	1	Key, Door	
3	70031292	1	Shock, Gas	
3	70031363	1	Glass, Window (LH)	
4	1001264478	1	Cab, Glass Front	
5	1001264479	1	Seal	
6	1001264480	1	Cab, Glass Top	
7	1001264481	4	Washer M8	
8	1001264482	4	Support	
9	1001264515	4	Screw M4.8 x 50	

SECTION 6 - CAB

FIGURE 6-9. ENCLOSED CAB COMPONENTS INSTALLATION



ART_1001264352

FIGURE 6-9. ENCLOSED CAB COMPONENTS INSTALLATION

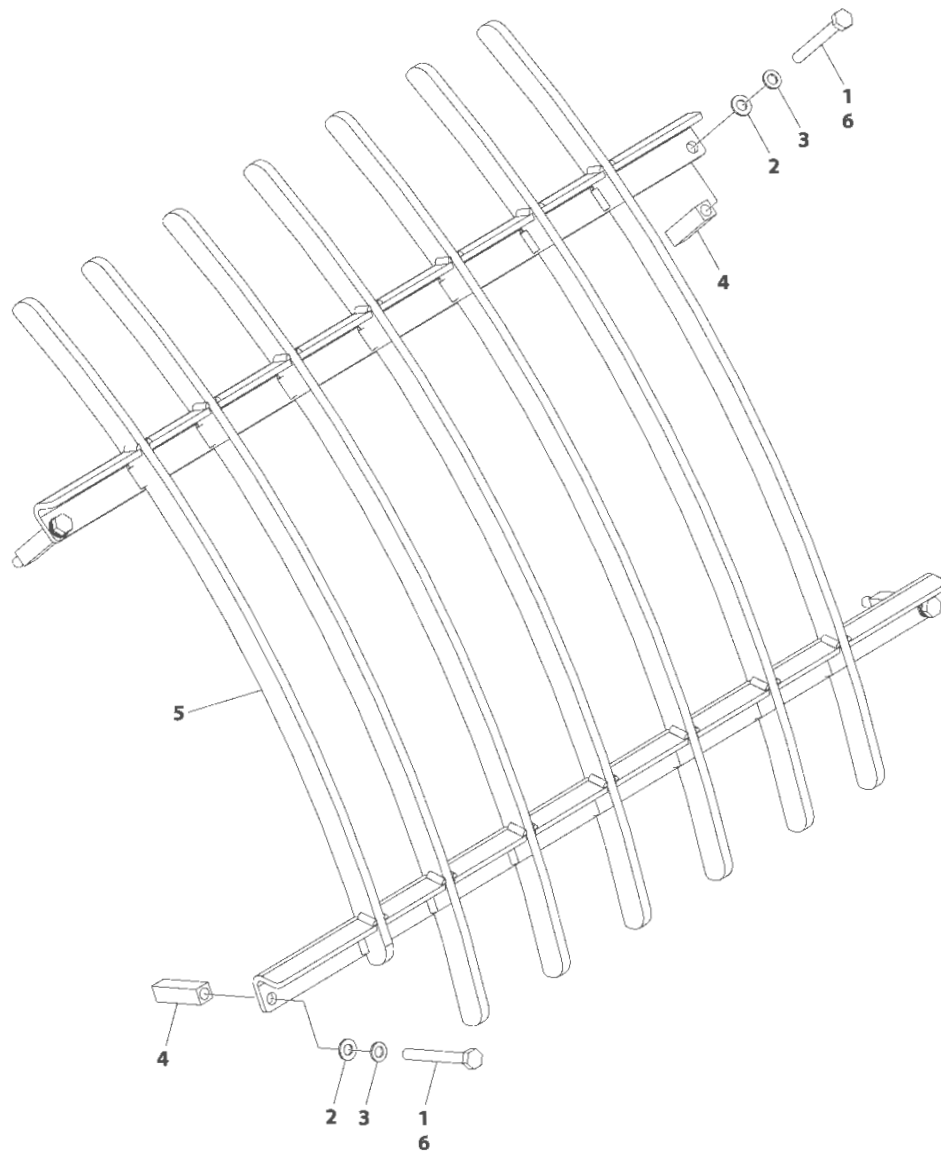
ITEM	PART NUMBER	QTY	DESCRIPTION	REV
	1001264352	Ref	ENCLOSED CAB COMPONENTS INSTALLATION	A
1	0700610	2	Bolt M6 x 20	
2	0760608	4	Bolt M6 x 16	
3	0760812	2	Bolt M8 x 25	
4	3290605	2	Nut M6	
5	3290805	2	Nut M8	
6	4811600	2	Washer M5	
7	4811700	6	Washer M6	
8	4811902	6	Washer M8	
9	1001215024	6	Clamp	
10	1001263139	1	Seal	
11	1001263188	2	Nut M8	
12	1001263266	1	Grommet	
13	1001264392	2	Relay	
14	1001264393	1	Clamp	
15	1001264416	4	Nut M6	
16	1001264483	1	Switch, Heater	
17	1001264484	1	Bracket, Wiper Motor	
18	1001264485	1	Hose	
19	1001264486	1	Hose	
20	1001264487	1	Hose	
21	1001264488	1	Hose	
22	1001264489	2	Vent	
23	1001264490	1	Filter	
24	1001264491	1	Bracket, Heater Motor	
25	1001264492	1	Cover	
26	1001264493	1	Heater, Cab	
27	1001264494	1	Blade	
28	1001264495	1	Hose	
29	1001264496	1	Hose	
30	1001264497	2	Hose	
31	1001264498	1	Hose	
32	1001264499	1	Panel	
33	1001264500	1	Wiper	
34	1001264501	1	Wiper	
35	1001264502	1	Pipe	
36	1001264503	1	Pipe	
37	1001264504	11	Clamp	
38	1001264505	1	Motor	
39	1001264506	1	Cover	
40	1001264507	1	Switch, Wiper Lever	
41	1001264508	1	Tank	
42	1001264510	2	Seal	
43	1001264517	1	Valve	
44	1001264518	1	Valve	
45	1001264520	3	Fitting	
46	1001264521	1	Fitting	
47	1001264522	1	Fitting	
48	1001264523	2	Screw M5 x 20	
49	1001264524	6	Screw M3 x 10	

SECTION 6 - CAB

ITEM	PART NUMBER	QTY	DESCRIPTION	REV
50	1001264711	2	Screw M8 x 20	

SECTION 6 - CAB

FIGURE 6-10. GUARD INSTALLATION - FRONT CAB



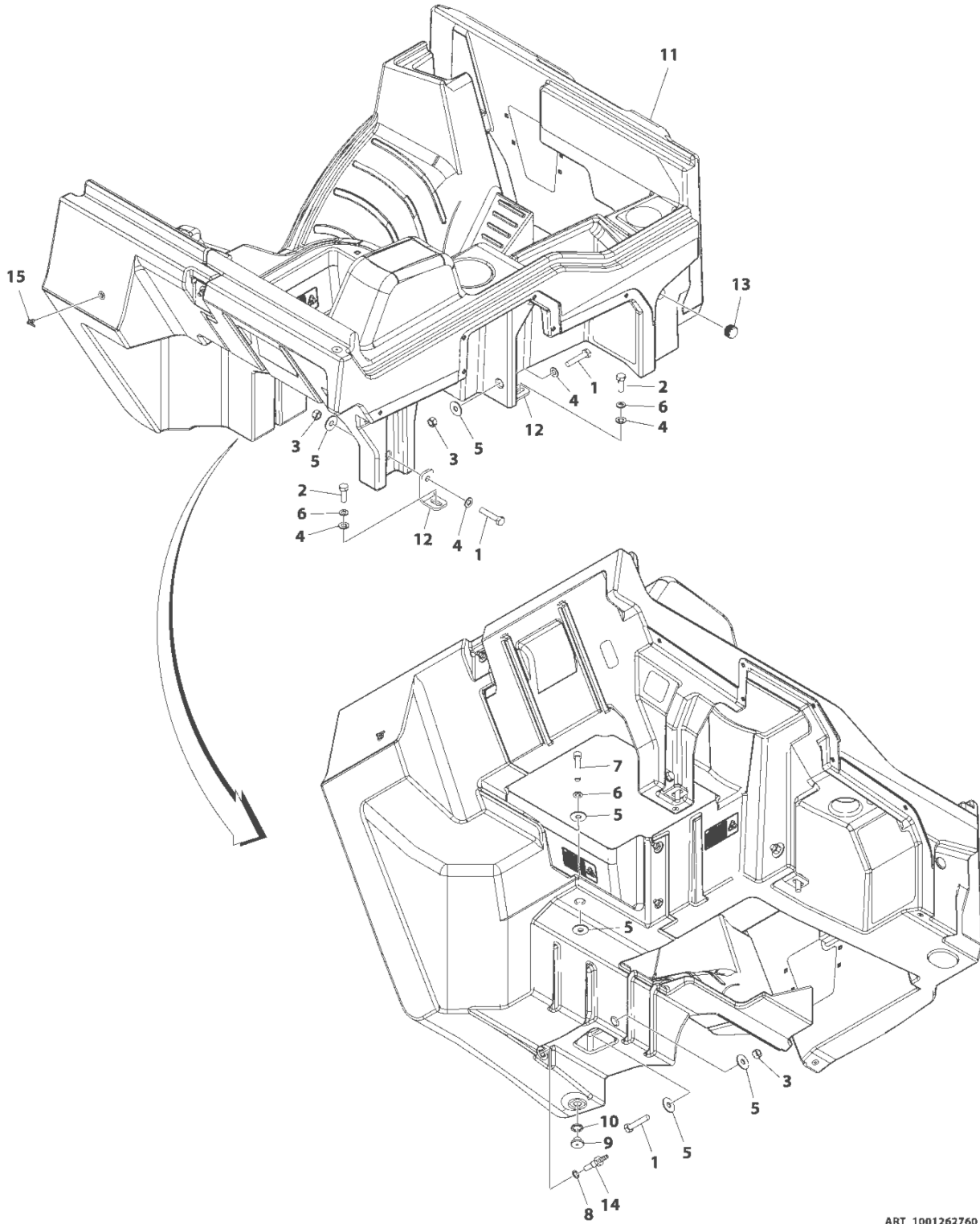
ART_1001262405

FIGURE 6-10. GUARD INSTALLATION - FRONT CAB

ITEM	PART NUMBER	QTY	DESCRIPTION	REV
	1001262405	Ref	GUARD INSTALLATION - FRONT CAB	A
1	0701026	4	Bolt M10 x 90	
2	4812000	4	Washer M10	
3	4832000	4	Washer M10	
4	1001262637	4	Shim	
5	1001262638	1	Shield	
6	0100035	AR	Compound Locking	

SECTION 6 - CAB

FIGURE 6-11. FUEL TANK INSTALLATION



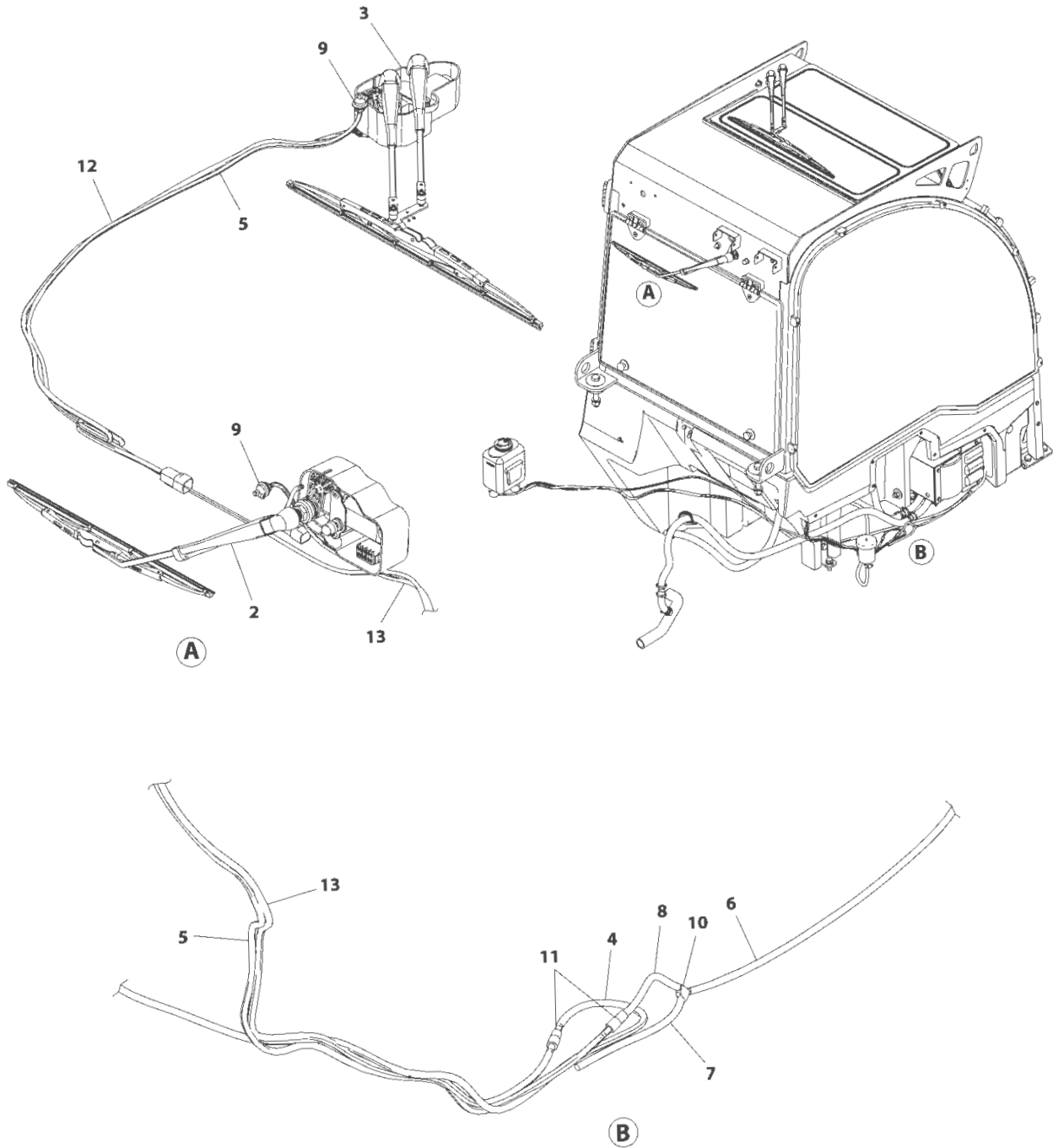
ART_1001262760

FIGURE 6-11. FUEL TANK INSTALLATION

ITEM	PART NUMBER	QTY	DESCRIPTION	REV
	1001262760	Ref	Fuel Tank Installation	A
1	0711220	3	Bolt, M12-1.75X60	
2	0761215	2	Bolt, M12X35	
3	3291207	3	Bolt, M12X1.75	
4	4812100	4	Washer, M12	
5	4812102	6	Washer, M12	
6	4832100	3	Washer, Lock M12	
7	5272117	1	Bolt, M12X65	
8	1001262360	1	Washer, M14	
9	1001262978	1	Plug	
10	1001262987	1	Seal	
11	1001263943	1	Tank	
12	1001263996	2	Bracket	
13	1001264009	1	Plug	
14	1001264022	1	Fitting	
15	1001264023	1	Fitting, 90	

SECTION 6 - CAB

FIGURE 6-12. WIPERS INSTALLATION – ROOF AND REAR WINDOW (ENCLOSED CAB)



ART_1001263377

SECTION 6 - CAB

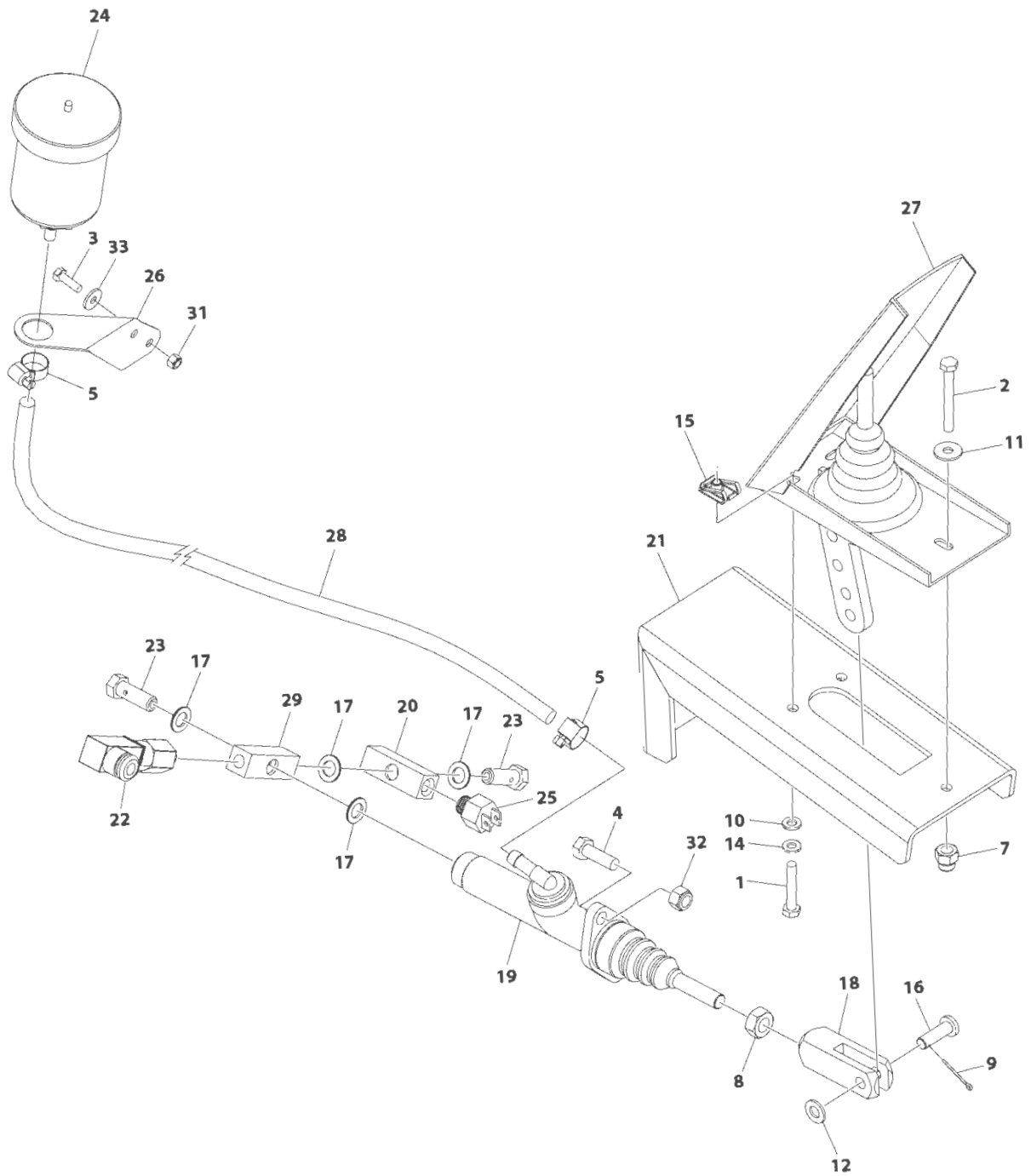
FIGURE 6-12. WIPERS INSTALLATION – ROOF AND REAR WINDOW (ENCLOSED CAB)

ITEM	PART NUMBER	QTY	DESCRIPTION	REV
	1001263377	Ref	WIPERS INSTALLATION – ROOF AND REAR WINDOW (ENCLOSED CAB)	A
1	1001262961	AR	Strap (Not Shown)	
2	1001265295	1	Rear Wiper Assembly	
2	70031364	1	Motor	
2	70031365	1	Arm, Wiper	
2	70031366	1	Blade, Wiper	
3	1001265296	1	Roof Wiper Assembly	
3	70031367	1	Motor	
3	70031368	1	Arm, Wiper	
3	70031369	1	Blade, Wiper	
4	1001265297	1	Hose	
5	1001265299	1	Hose	
6	1001265300	1	Hose	
7	1001265301	1	Hose	
8	1001265302	1	Hose	
9	1001265303	2	Fitting	
10	1001265304	1	Fitting	
11	1001265305	2	Valve, Hose Check	
12	1001265306	1	Wiper Harness	
12	4460894	1	Plug, Male - 6 Position	
12	1001116692	4	Socket, Female	
12	4460884	1	Receptacle, Female - 6 Position	
12		Ref	Pin, Male	
12	4460466	4	Plug, Terminal	
13	1001265397	1	Hose	

SECTION 7 - CONTROLS

SECTION 7 - CONTROLS

FIGURE 7-1. BRAKE SYSTEM INSTALLATION



ART_1001262563

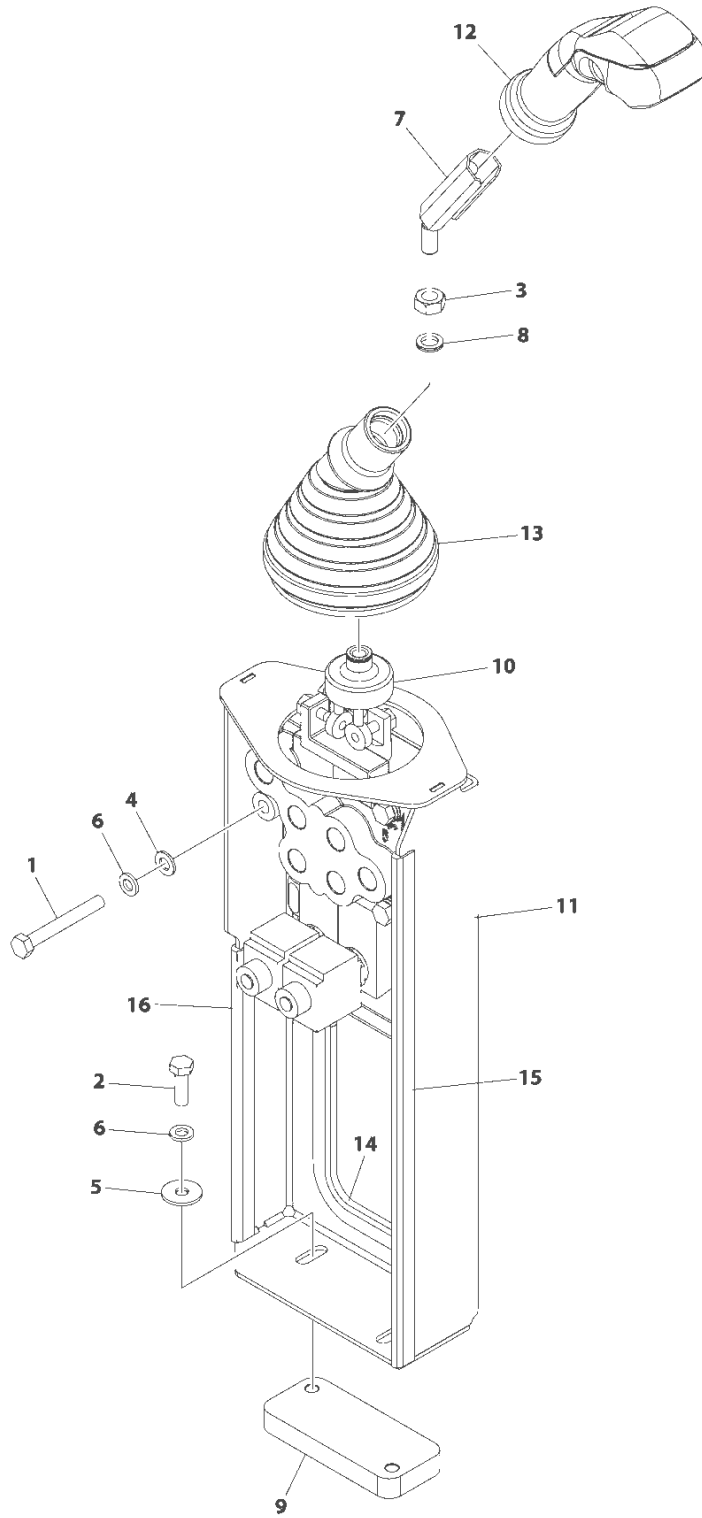
SECTION 7 - CONTROLS

FIGURE 7-1. BRAKE SYSTEM INSTALLATION

ITEM	PART NUMBER	QTY	DESCRIPTION	REV
	1001262563	Ref	BRAKE SYSTEM INSTALLATION	B
1	0700615	2	Bolt M6 x 35	
2	0700618	1	Bolt M6 x 50	
3	0760508	2	Bolt M5 x 16	
4	0760812	2	Bolt M8 x 25	
5	1320022	2	Clamp	
7	3290806	1	Nut M8	
8	3291001	1	Nut M10	
9	3450203	1	Pin, Cotter	
10	4811700	2	Washer M6	
11	4811702	1	Washer M6	
12	4811900	1	Washer M8	
14	4831700	2	Washer M6	
15	8305919	2	Nut	
16	1001262675	1	Pin	
17	1001262676	4	Washer M10	
18	1001262677	1	Clevis	
19	1001262678	1	Valve, Master Cylinder	
20	1001262679	1	Manifold	
21	1001262680	1	Bracket	
22	1001262681	1	Switch, Pressure	
23	1001262682	2	Screw M10	
24	1001262683	1	Reservoir	
25	1001262684	1	Switch, Break Pressure	
26	1001262685	1	Bracket	
27	1001262686	1	Pedal, Brake	
28	1001262688	1	Hose	
29	1001262687	1	Manifold	
31	3290505	2	Nut M5	
32	3290805	2	Nut M8	
33	1001264434	2	Washer M5	

SECTION 7 - CONTROLS

FIGURE 7-2. JOYSTICK INSTALLATION



ART_1001262761

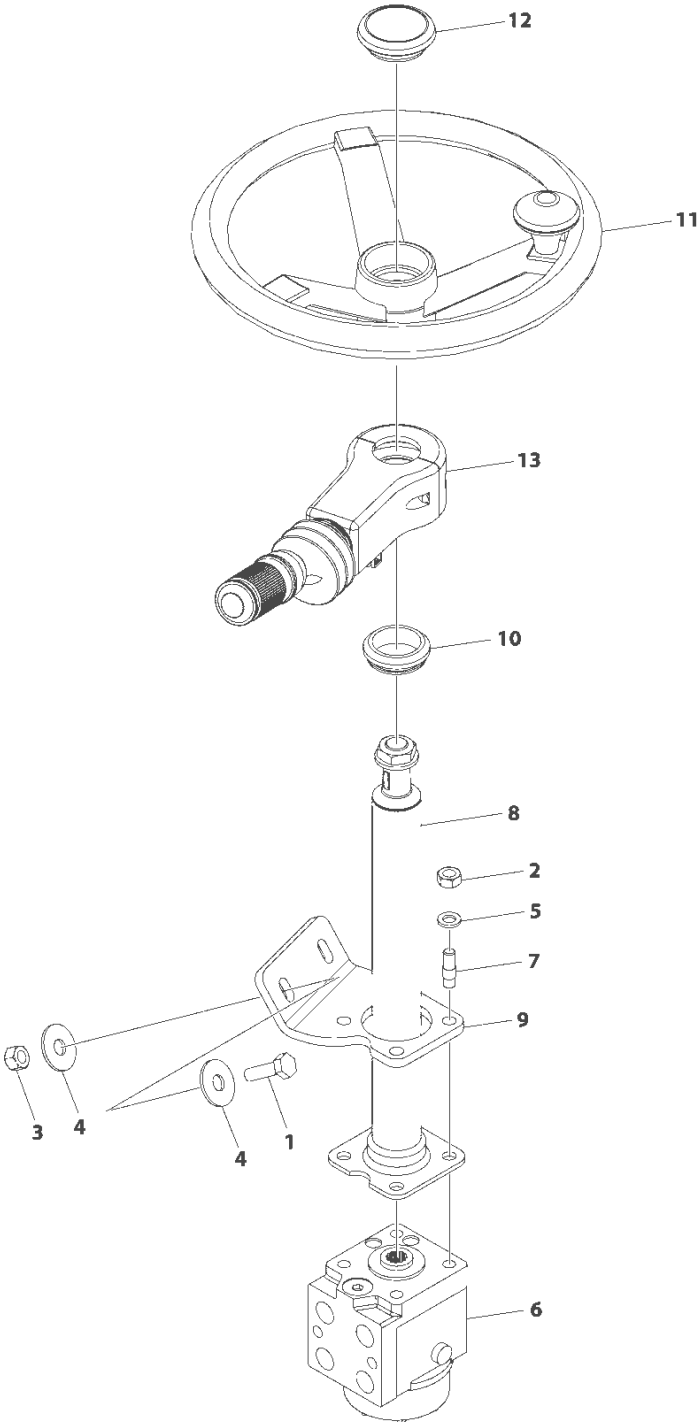
SECTION 7 - CONTROLS

FIGURE 7-2. JOYSTICK INSTALLATION

ITEM	PART NUMBER	QTY	DESCRIPTION	REV
	1001262761	Ref	Joystick Installation	A
1	0700821	3	Bolt, M8X65	
2	0760812	2	Bolt, M8X25	
3	3291001	1	Nut, M10X1.5	
4	4811900	3	Washer, M8	
5	4811902	2	Washer, M8	
6	4831900	5	Washer, Lock M8	
7	1001262975	1	Control	
8	1001261551	1	Washer, M10	
9	1001262973	1	Plate	
10	1001262968	1	Valve	
10	70031361	2	Solenoid Valve	
10	70031362	1	Seal -Kit - Controlller	
11	1001262974	1	Bracket	
12	1001262976	1	Control	
13	1001262972	1	Boot	
14	1001264080	1	Seal	
15	1001264081	1	Seal	
16	1001262969	1	Seal	

SECTION 7 - CONTROLS

FIGURE 7-3. STEERING INSTALLATION



ART_1001262562

SECTION 7 - CONTROLS

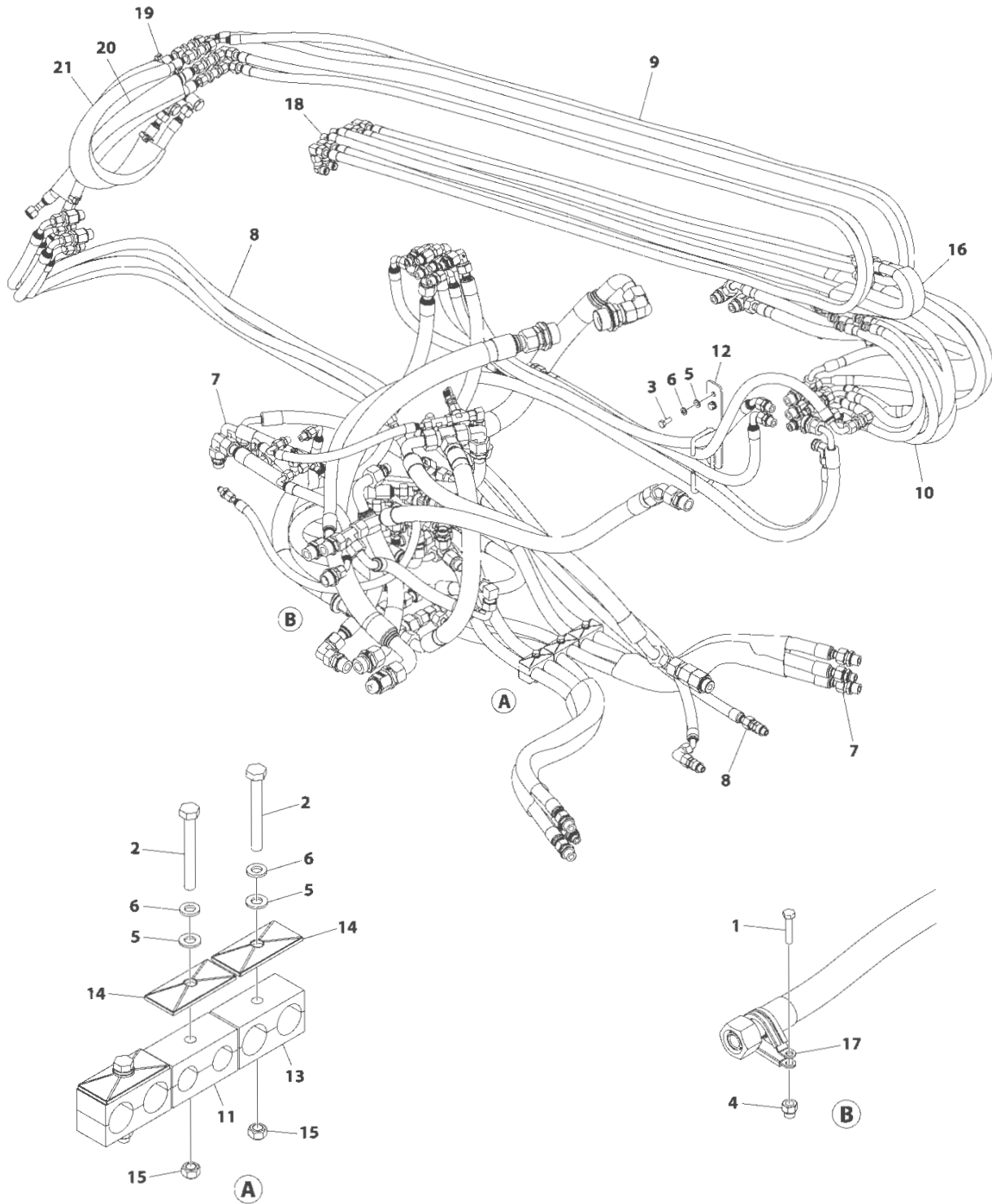
FIGURE 7-3. STEERING INSTALLATION

ITEM	PART NUMBER	QTY	DESCRIPTION	REV
	1001262562	Ref	STEERING INSTALLATION	A
1	0701015	2	Bolt M10 x 35	
2	3291001	4	Nut M10	
3	3291005	2	Nut M10	
4	4812102	4	Washer M12	
5	4832000	4	Washer M10	
6	1001262668	1	Valve, Steering	
6	80334588	1	Seal Kit - Steering Valve	
7	1001262669	4	Stud	
8	1001262670	1	Column, Steering	
9	1001262671	1	Bracket	
10	1001262672	1	Grommet	
11	1001262673	1	Wheel, Steering	
11	70031360	1	Knob, Steer	
12	1001262674	1	Switch, Horn Button	
13	1001264404	1	Switch	

SECTION 8 - HYDRAULIC CIRCUITS

SECTION 8 - HYDRAULIC CIRCUITS

FIGURE 8-1. HOSES AND CLAMPS INSTALLATION



ART_1001262765

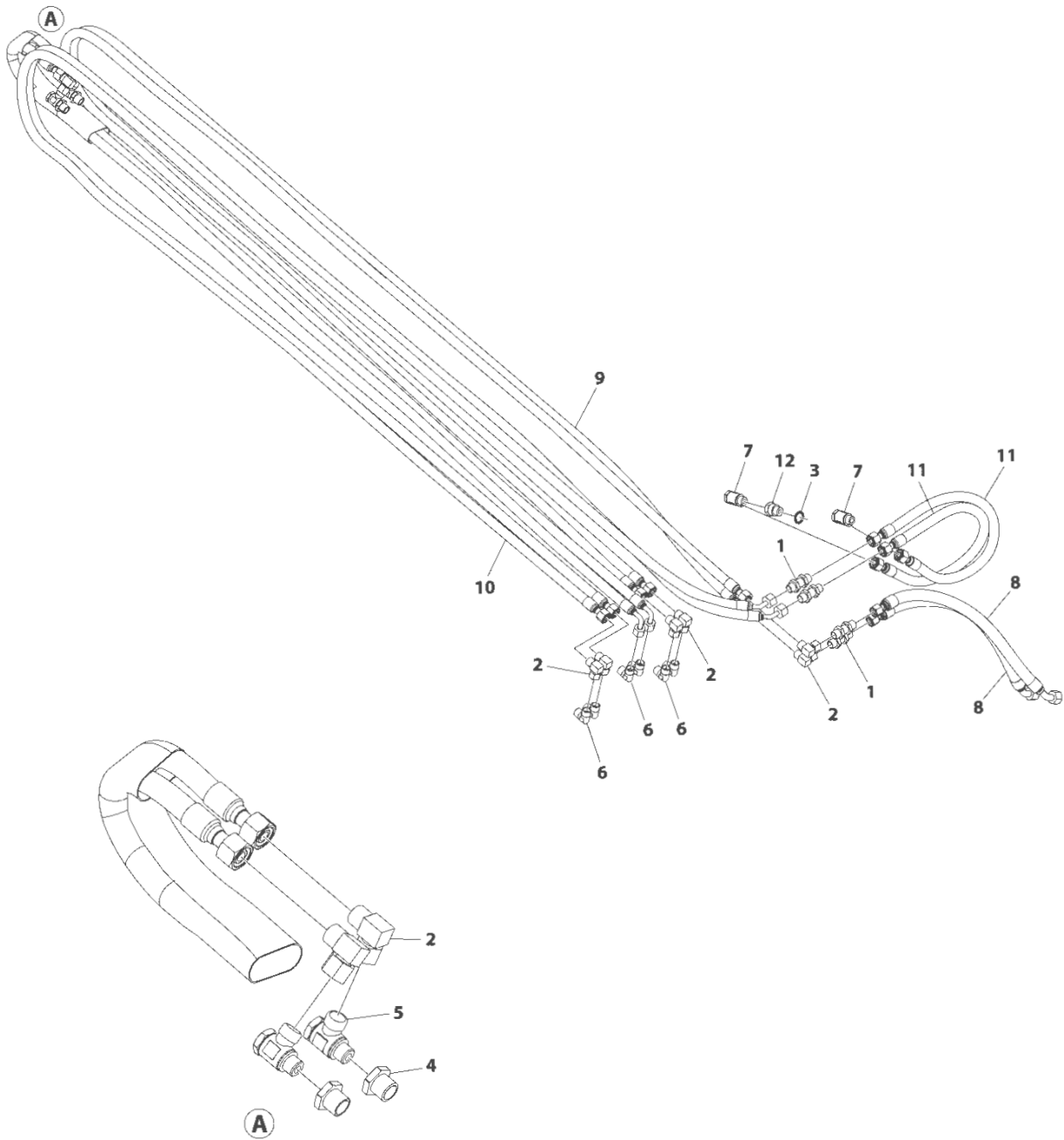
SECTION 8 - HYDRAULIC CIRCUITS

FIGURE 8-1. HOSES AND CLAMPS INSTALLATION

ITEM	PART NUMBER	QTY	DESCRIPTION	REV
	1001262765	Ref	HOSES AND CLAMPS INSTALLATION	A
1	0700614	1	Bolt M6 x 30	
2	0700821	3	Bolt M8 x 65	
3	0760810	2	Bolt M8 x 20	
4	3290806	1	Nut M8	
5	4811900	5	Washer M8	
6	4831900	5	Washer M8	
7	1001262766	Ref	Installation, Transmission Hoses (See Separate Breakdown in this Section)	
8	1001262767	Ref	Installation, Joystick Hoses (See Separate Breakdown in this Section)	
9	1001262769	Ref	Installation, Auxiliary/Tilt Hoses (See Separate Breakdown in this Section)	
10	1001262770	Ref	Installation, Frame Hoses (See Separate Breakdown in this Section)	
11	1001263182	1	Clamp	
12	1001263183	1	Bracket	
13	1001263184	2	Clamp	
14	1001263185	3	Clamp	
15	1001263188	3	Nut M8	
16	1001263189	1	Sleeve	
17	1001263190	1	Clamp	
18	1001263191	1	Hose	
19	1001262961	4	Tie, Strap	
20	1001262966	1	Sleeve	
21	1001262967	1	Sleeve	

SECTION 8 - HYDRAULIC CIRCUITS

FIGURE 8-2. AUXILIARY/TILT HOSE INSTALLATION



ART_1001262769

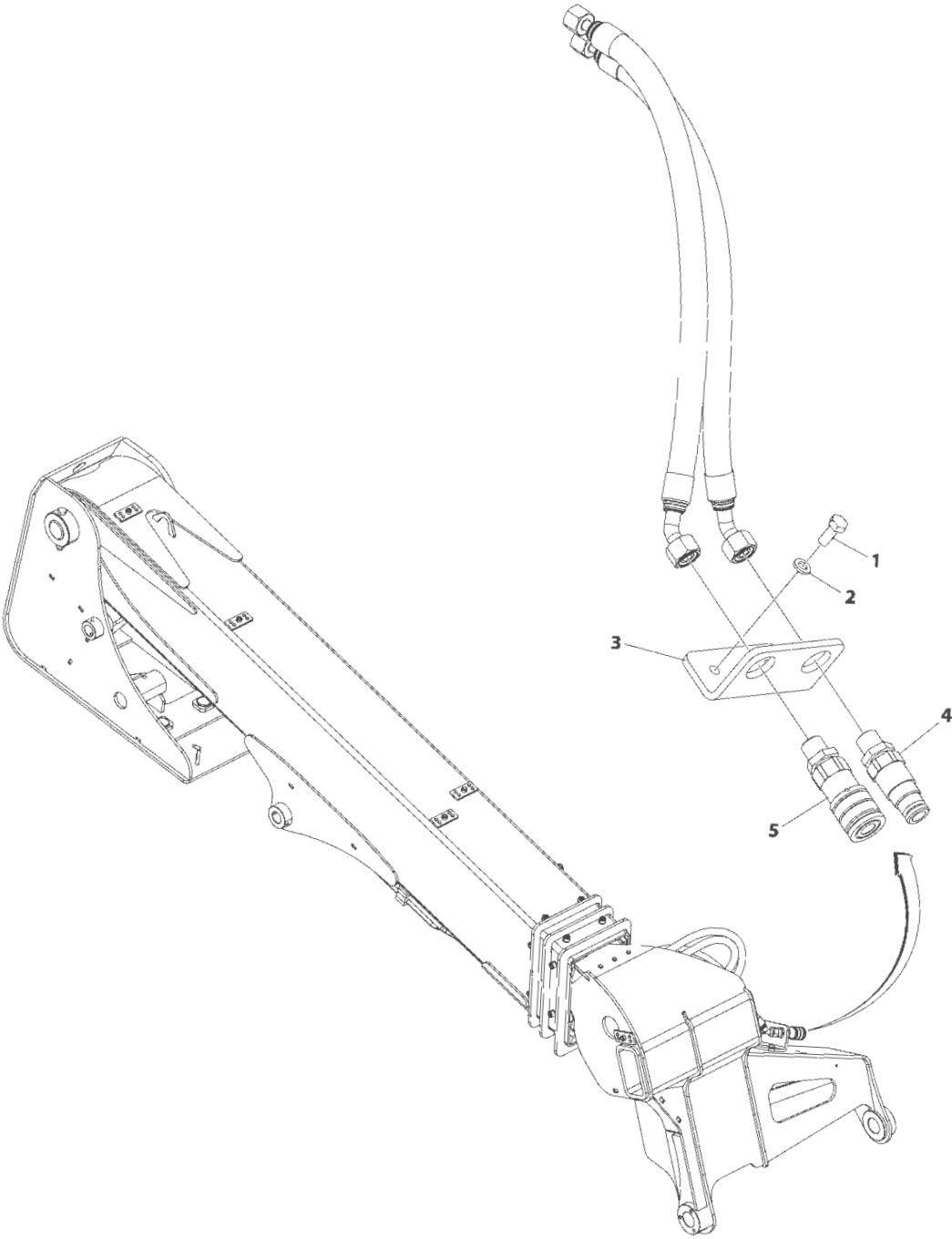
SECTION 8 - HYDRAULIC CIRCUITS

FIGURE 8-2. AUXILIARY/TILT HOSE INSTALLATION

ITEM	PART NUMBER	QTY	DESCRIPTION	REV
	1001262769	Ref	Auxiliary/Tilt Hose Installation	A
1	2141503	4	Fitting	
2	2143403	8	Fitting, 90	
3	1001263139	1	Seal	
4	1001263158	2	Adapter	
5	1001263161	2	Adapter	
6	1001263164	6	Adapter	
7	1001263170	2	Adapter	
8	1001263223	2	Hose	
9	1001263224	1	Hose	
10	1001263225	1	Hose	
11	1001263226	2	Hose	
12	1001263571	1	Adapter	

SECTION 8 - HYDRAULIC CIRCUITS

FIGURE 8-3. BOOM AUXILAIRY COUPLING INSTALLATION



ART_1001263382

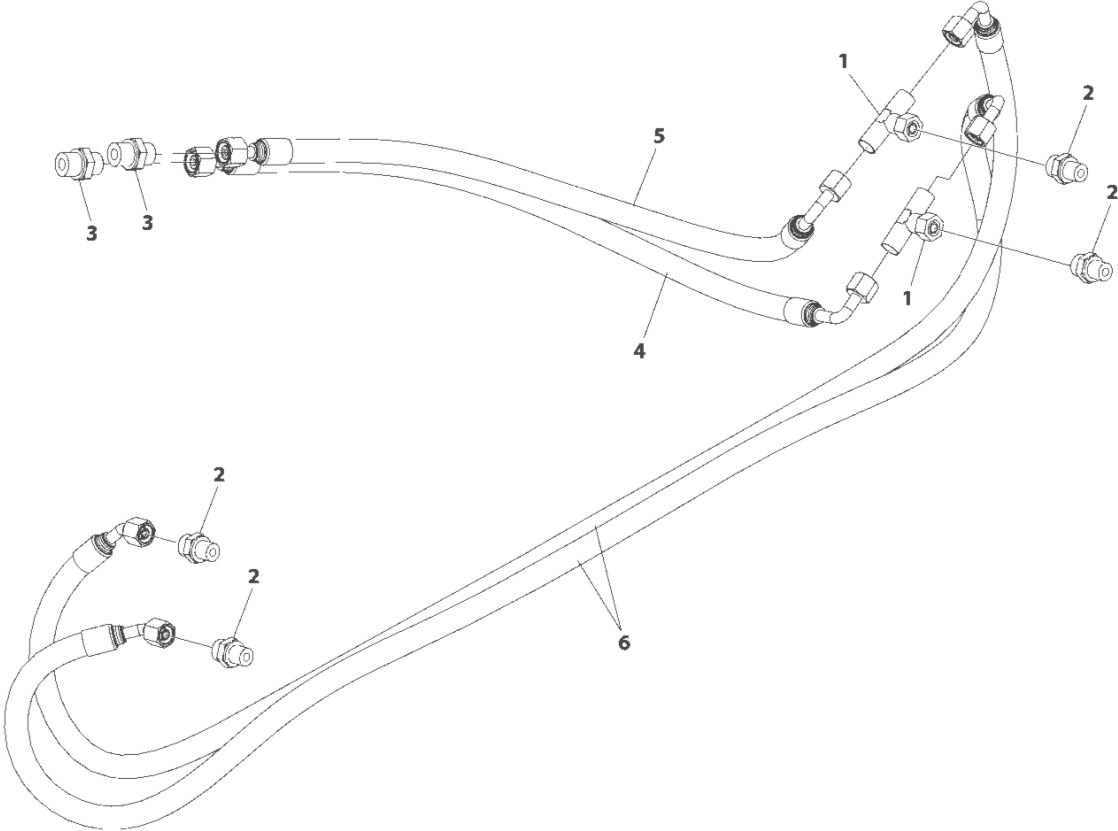
SECTION 8 - HYDRAULIC CIRCUITS

FIGURE 8-3. BOOM AUXILAIRY COUPLING INSTALLATION

ITEM	PART NUMBER	QTY	DESCRIPTION	REV
	1001263382	Ref	BOOM AUXILAIRY COUPLING INSTALLATION	A
1	0760810	2	Bolt M8 x 20	
2	4831900	2	Washer M8	
3	1001262037	1	Bracket	
4	1001263186	1	Coupling	
5	1001263187	1	Coupling	

SECTION 8 - HYDRAULIC CIRCUITS

FIGURE 8-4. COUPLER HOSE INSTALLATION



ART_1001264349

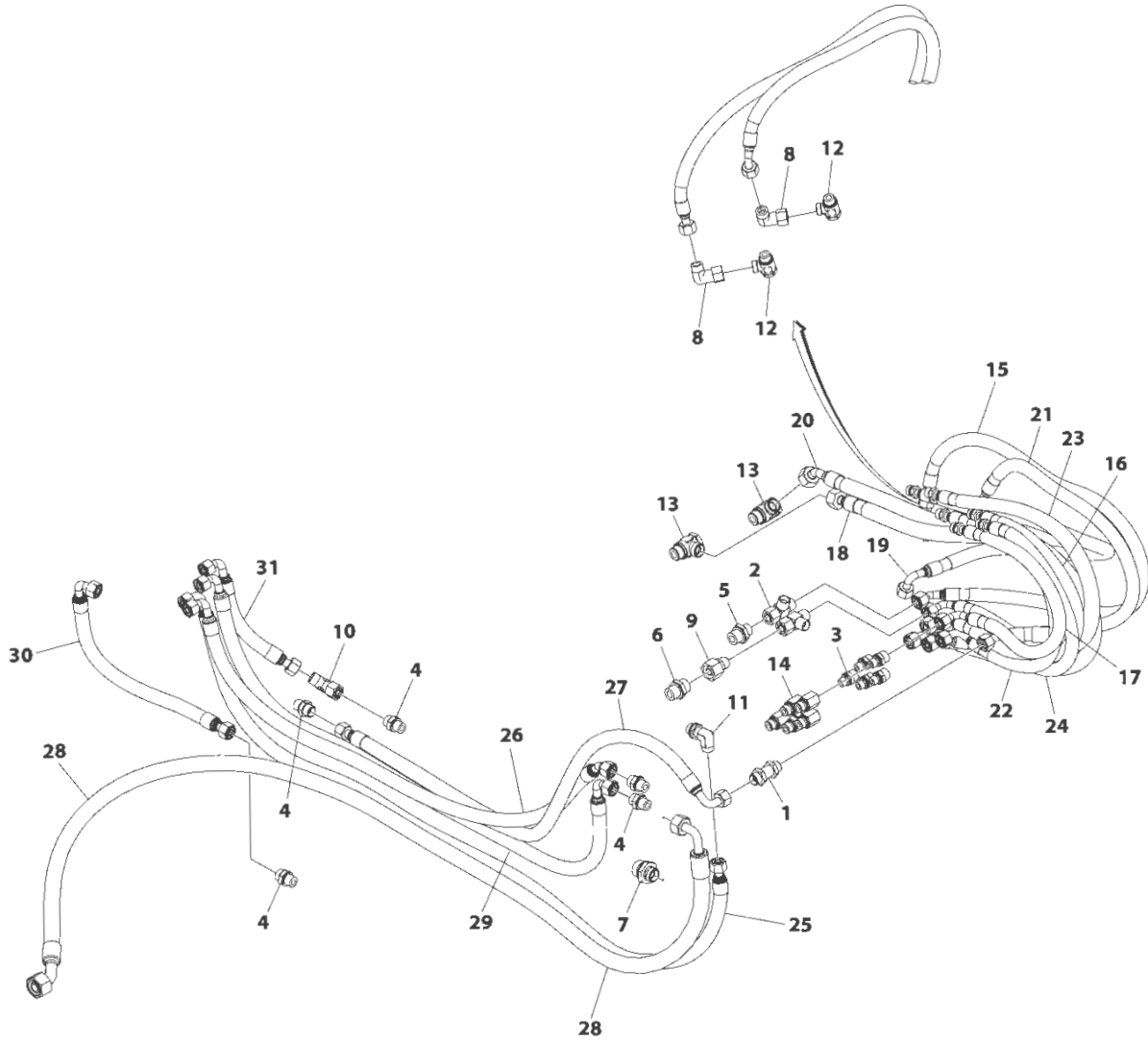
SECTION 8 - HYDRAULIC CIRCUITS

FIGURE 8-4. COUPLER HOSE INSTALLATION

ITEM	PART NUMBER	QTY	DESCRIPTION	REV
	1001264349	Ref	COUPLER HOSE INSTALLATION	A
1	2142102	2	Fitting, Adjustable Tee	
2	2142706	4	Fitting, Male Adapter	
3	2142709	2	Fitting, Male Adapter	
4	1001264525	1	Hose	
5	1001264526	1	Hose	
6	1001264527	2	Hose	

SECTION 8 - HYDRAULIC CIRCUITS

FIGURE 8-5. FRAME HOSE INSTALLATION



ART_1001262770

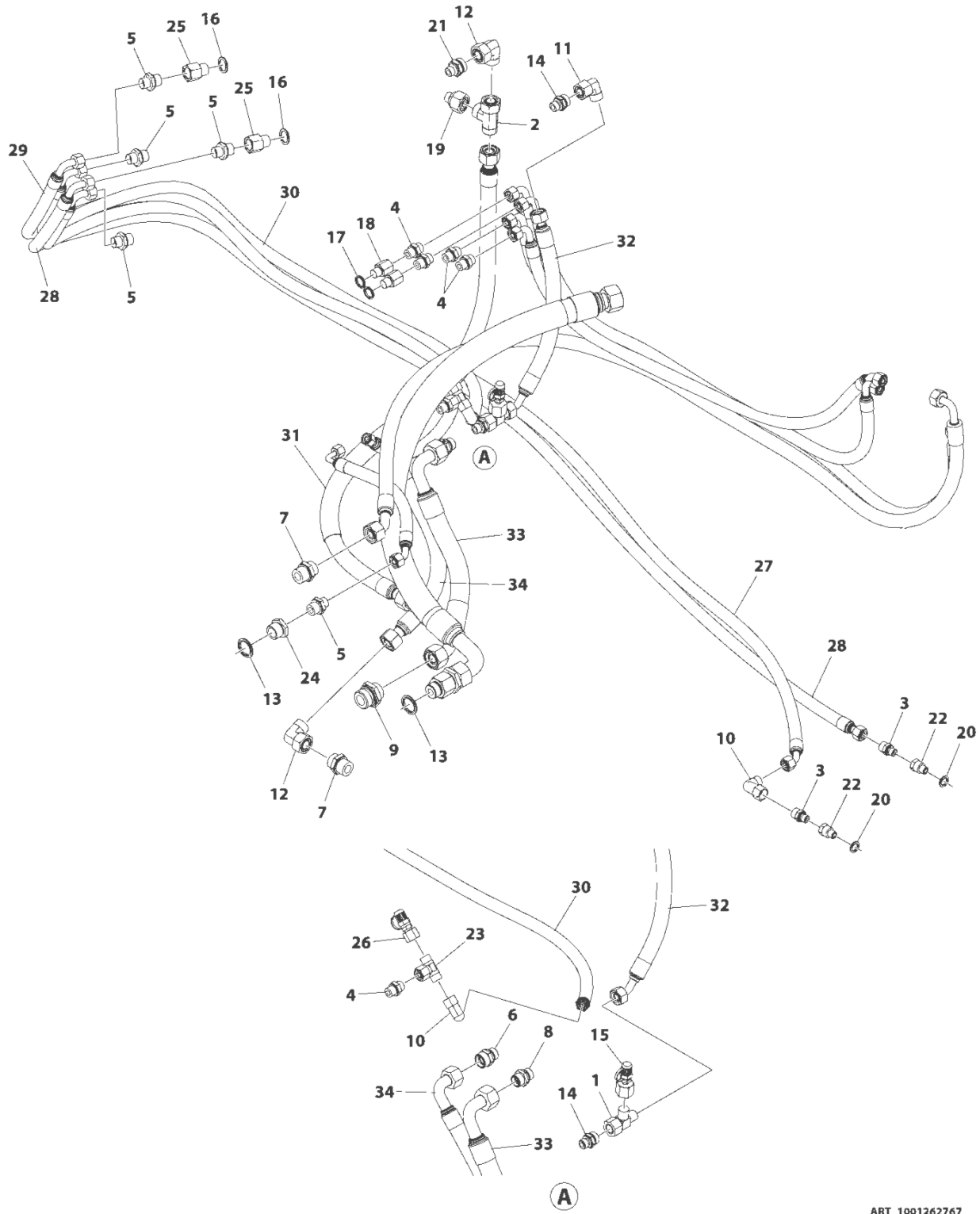
SECTION 8 - HYDRAULIC CIRCUITS

FIGURE 8-5. FRAME HOSE INSTALLATION

ITEM	PART NUMBER	QTY	DESCRIPTION	REV
	1001262770	Ref	Frame Hose Installation	A
1	2141504	1	Fitting	
2	2142204	2	Fitting	
3	2142711	5	Fitting	
4	2142712	5	Fitting	
5	2142713	1	Fitting	
6	2142715	1	Fitting	
7	2142757	1	Fitting, Straight	
8	2143404	2	Fitting	
9	2143511	1	Fitting	
10	1001263167	1	Adapter, 45	
11	1001263169	1	Adapter, 90	
12	1001263170	2	Adapter	
13	1001263181	2	Adapter	
14	1001263572	5	Adapter	
15	1001263227	1	Hose	
16	1001263228	1	Hose	
17	1001263229	1	Hose	
18	1001263230	1	Hose	
19	1001263231	1	Hose	
20	1001263232	1	Hose	
21	1001263233	1	Hose	
22	1001263234	1	Hose	
23	1001263235	1	Hose	
24	1001263236	1	Hose	
25	1001263237	1	Hose	
26	1001263238	1	Hose	
27	1001263239	1	Hose	
28	1001263240	1	Hose	
29	1001263241	1	Hose	
30	1001263242	1	Hose	
31	1001263243	1	Hose	

SECTION 8 - HYDRAULIC CIRCUITS

FIGURE 8-6. JOYSTICK HOSES INSTALLATION



ART_1001262767

SECTION 8 - HYDRAULIC CIRCUITS

FIGURE 8-6. JOYSTICK HOSES INSTALLATION

ITEM	PART NUMBER	QTY	DESCRIPTION	REV
	1001262767	Ref	Joystick Hoses Installation	A
1	2142205	1	Fitting	
2	2142206	1	Fitting	
3	2142711	2	Fitting	
4	2142712	5	Fitting	
5	2142713	5	Fitting	
6	2142716	1	Fitting	
7	2142717	2	Fitting	
8	2142747	1	Fitting, Male	
9	2142748	1	Fitting	
10	2143404	2	Fitting	
11	2143405	1	Fitting	
12	2143406	2	Fitting	
13	1001263102	2	Seal	
14	1001263126	2	Adapter	
15	1001263137	1	Coupling	
16	1001263138	2	Seal	
17	1001263139	2	Seal	
18	1001263140	2	Adapter	
19	1001263141	1	Adapter	
20	1001263142	2	Seal	
21	1001263143	1	Adapter	
22	1001263144	2	Adapter	
23	1001263145	1	Adapter	
24	1001263146	1	Adapter	
25	1001263151	2	Adapter	
26	1001263154	1	Coupling	
27	1001263215	1	Hose	
28	1001263216	1	Hose	
29	1001263217	1	Hose	
30	1001263218	1	Hose	
31	1001263219	1	Hose	
32	1001263220	1	Hose	
33	1001263221	1	Hose	
34	1001263222	1	Hose	

SECTION 8 - HYDRAULIC CIRCUITS

FIGURE 8-7. TRANSMISSION HOSES INSTALLATION

ITEM	PART NUMBER	QTY	DESCRIPTION	REV
	1001262766	Ref	Transmission Hoses Installation	A
1	2140801	1	Fitting	
2	2140811	1	Fitting	
3	2140825	1	Fitting	
4	2140827	1	Fitting	
5	2142103	2	Fitting	
6	2142105	2	Fitting	
7	2142203	1	Fitting	
8	2142205	4	Fitting	
9	2142206	1	Fitting	
10	2142207	3	Fitting	
11	2142708	3	Fitting	
12	2142710	1	Fitting	
13	2142715	10	Fitting	
14	2142716	1	Fitting	
15	2142717	2	Fitting	
16	2142718	2	Fitting	
17	2142719	2	Fitting	
18	2142744	1	Fitting	
19	2142757	4	Fitting	
20	2142805	1	Fitting	
21	2143007	2	Fitting, 90	
22	2143403	1	Fitting, 90	
23	2143405	5	Fitting, 90	
24	2143406	1	Fitting	
25	2143407	2	Fitting	
26	2143408	2	Fitting, 90	
27	2143521	2	Fitting	
28	1001263098	2	Adapter	
29	1001263099	1	Adapter	
30	1001263101	3	Adapter	
31	1001263102	2	Seal	
32	1001263105	1	Adapter	
33	1001263110	1	Adapter	
34	1001263113	1	Adapter	
35	1001263114	2	Adapter	
36	1001263116	1	Adapter	
37	1001263117	2	Seal	
38	1001263120	1	Adapter	
39	1001263126	3	Adapter	
40	1001263136	1	Coupling	
41	1001263137	2	Coupling	
42	1001263192	1	Hose	
43	1001263193	1	Hose	
44	1001263194	1	Hose	
45	1001263195	1	Hose	
46	1001263196	1	Hose	
47	1001263197	1	Hose	
48	1001263198	1	Hose	
49	1001263199	1	Hose	

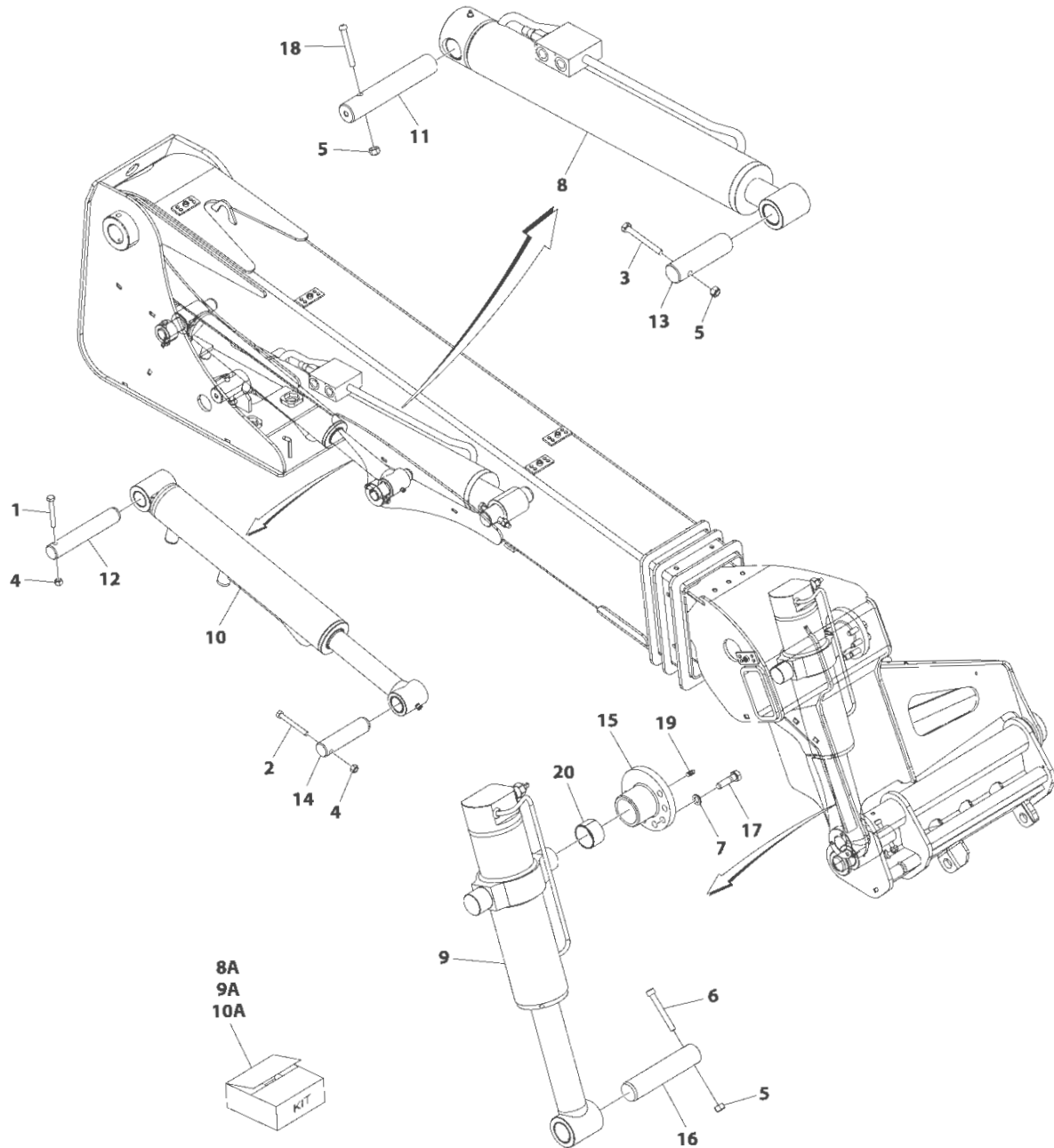
SECTION 8 - HYDRAULIC CIRCUITS

ITEM	PART NUMBER	QTY	DESCRIPTION	REV
50	1001263200	1	Hose	
51	1001263201	2	Hose	
52	1001263202	1	Hose	
53	1001263203	1	Hose	
54	1001263204	1	Hose	
55	1001263205	1	Hose	
56	1001263206	1	Hose	
57	1001263207	1	Hose	
58	1001263208	1	Hose	
59	1001263210	2	Hose	
60	1001263211	1	Hose	
61	1001263212	1	Hose	
62	1001263213	1	Hose	
63	1001263214	1	Hose	
64	1001263574	2	Sleeve	

SECTION 9 - HYDRAULIC COMPONENTS

SECTION 9 - HYDRAULIC COMPONENTS

FIGURE 9-1. CYLINDER GROUP INSTALLATION



ART_1001261258

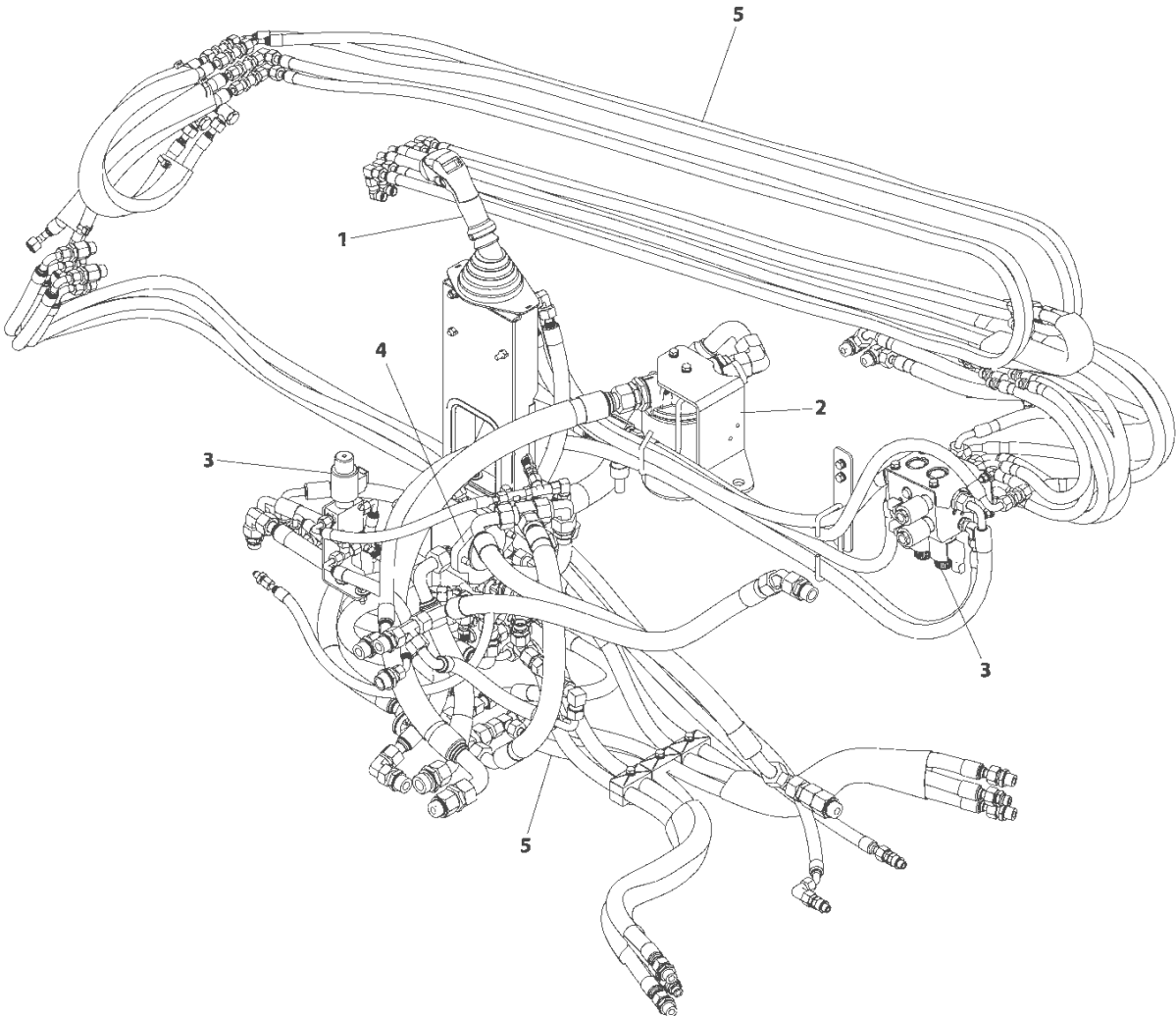
SECTION 9 - HYDRAULIC COMPONENTS

FIGURE 9-1. CYLINDER GROUP INSTALLATION

ITEM	PART NUMBER	QTY	DESCRIPTION	REV
	1001261258	Ref	CYLINDER GROUP INSTALLATION	B
		Ref	Note: Original Cylinder May Have Been Replaced with Service Replacement. Identify PN Stamped on Cylinder Before Ordering Parts.	
1	0700820	1	Bolt M8 x 60	
2	0700822	1	Bolt M8 x 70	
3	0701026	1	Bolt M10 x 90	
4	3290805	2	Nut M8	
5	3291005	3	Nut M10	
6	4032020	1	Bolt M10 x 80	
7	4832100	7	Washer M12	
8	1001269182	1	Cylinder, Lift	
8A	70030096	1	Seal Kit	
9	1001261682	1	Cylinder, Tilt	
9A	70030094	1	Seal Kit	
10	1001261681	1	Cylinder, Compensation	
10A	70030095	1	Seal Kit	
11	1001262078	1	Pin, Lift Cylinder Base	
12	1001262079	1	Pin, Compensation Cylinder Base	
13	1001262077	1	Pin, Lift Cylinder Rod	
14	1001262080	1	Pin, Compensation Cylinder Rod	
15	1001262075	1	Sleeve	
16	1001262076	1	Pin, Tilt Cylinder Rod	
17	1001261679	7	Screw M12 x 45	
18	1001261566	1	Screw M10 x 80	
19	1001261547	1	Fitting, Grease	
20	1001262041	1	Bearing	

SECTION 9 - HYDRAULIC COMPONENTS

FIGURE 9-2. HYDRAULIC COMPONENTS INSTALLATION



ART_1001262566

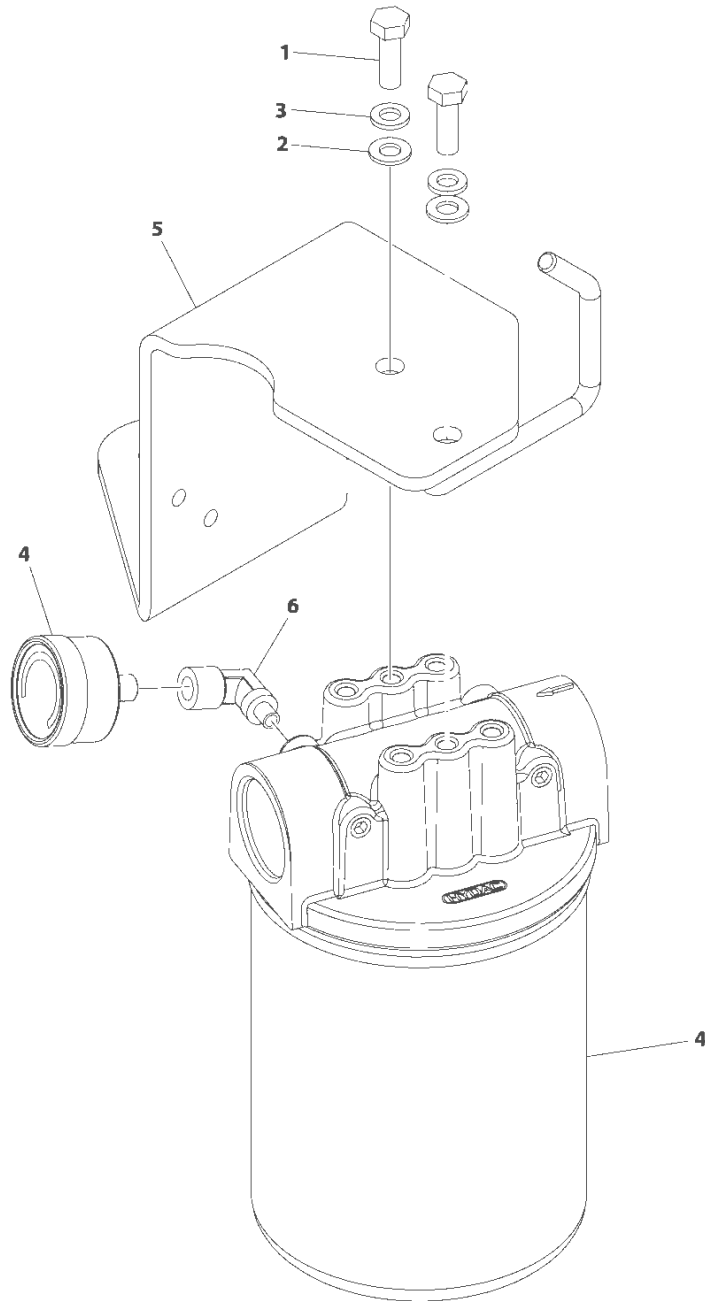
SECTION 9 - HYDRAULIC COMPONENTS

FIGURE 9-2. HYDRAULIC COMPONENTS INSTALLATION

ITEM	PART NUMBER	QTY	DESCRIPTION	REV
1	1001262566	Ref	HYDRAULIC COMPONENTS INSTALLATION	A
	1001262761	Ref	Installation, Joystick (See Separate Breakdown in CONTROLS Section)	
2	1001262762	Ref	Installation, Hydraulic Filter (See Separate Breakdown in this Section)	
3	1001262763	Ref	Installation, Valves (See Separate Breakdown in this Section)	
4	1001262764	Ref	Installation, Pump (See Separate Breakdown in this Section)	
5	1001262765	Ref	Installation, Hoses & Clamps (See Separate Breakdown in HYDRAULIC CIRCUITS Section)	

SECTION 9 - HYDRAULIC COMPONENTS

FIGURE 9-3. FILTER INSTALLATION - HYDRAULIC



ART_1001262762

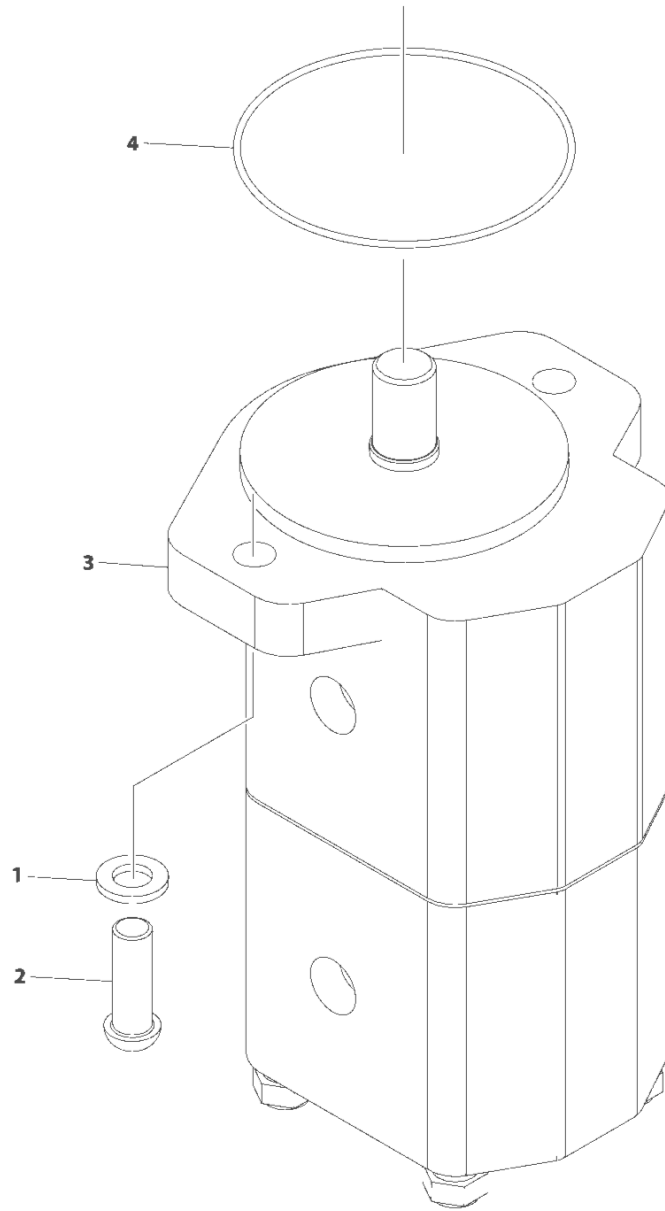
SECTION 9 - HYDRAULIC COMPONENTS

FIGURE 9-3. FILTER INSTALLATION - HYDRAULIC

ITEM	PART NUMBER	QTY	DESCRIPTION	REV
	1001262762	Ref	FILTER INSTALLATION - HYDRAULIC	A
1	0760812	2	Bolt M8 x 25	
2	4811900	2	Washer M8	
3	4831900	2	Washer M8	
4	1001262964	1	Filter	
4	70030136	1	Element	
4	70030137	1	Gauge, Indicator	
5	1001262965	1	Bracket	
6	1001262988	1	Fitting, 90	

SECTION 9 - HYDRAULIC COMPONENTS

FIGURE 9-4. PUMP INSTALLATION



ART_1001262764

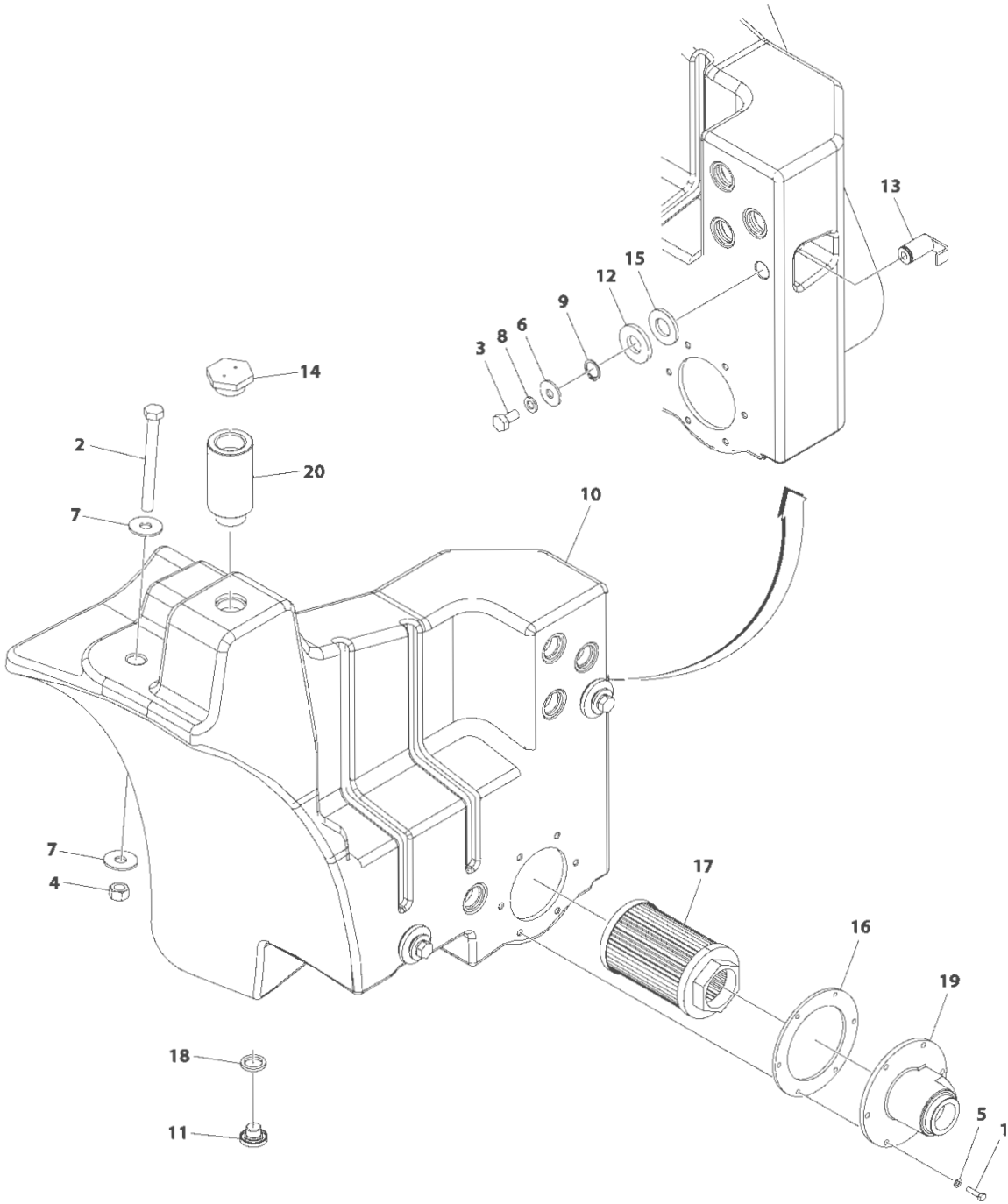
SECTION 9 - HYDRAULIC COMPONENTS

FIGURE 9-4. PUMP INSTALLATION

ITEM	PART NUMBER	QTY	DESCRIPTION	REV
	1001262764	Ref	Pump Installation	A
1	4832000	2	Washer, Lock M10	
2	1001262949	2	Screw, M10X30	
3	1001262950	1	Pump	
4	1001262951	1	O-Ring	

SECTION 9 - HYDRAULIC COMPONENTS

FIGURE 9-5. TANK INSTALLATION - HYDRAULIC



ART_1001262759

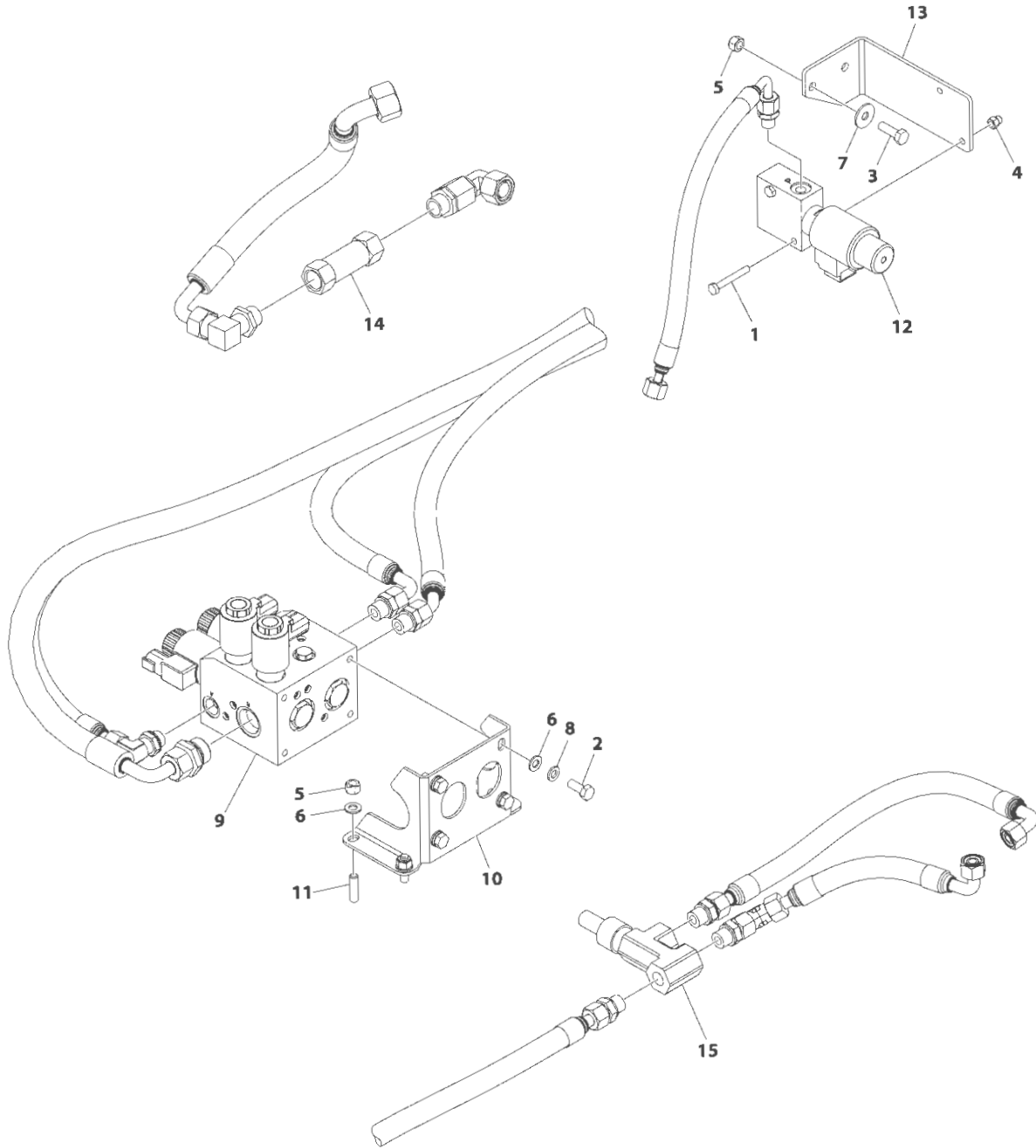
SECTION 9 - HYDRAULIC COMPONENTS

FIGURE 9-5. TANK INSTALLATION - HYDRAULIC

ITEM	PART NUMBER	QTY	DESCRIPTION	REV
	1001262759	Ref	TANK INSTALLATION - HYDRAULIC	A
1	0700510	6	Bolt M5 x 20	
2	0701229	1	Bolt M12 x 120	
3	0761010	2	Bolt M10 x 20	
4	3291207	1	Nut M12	
5	4811600	6	Washer M5	
6	4812002	2	Washer M10	
7	4812102	2	Washer M12	
8	4832000	2	Washer M10	
9	1001149581	2	Ring	
10	1001262794	1	Tank	
10	70031379	1	Gauge, Sight	
11	1001262978	1	Plug	
12	1001262981	2	Washer M20	
13	1001262982	2	Bracket	
14	1001262983	1	Cap	
15	1001262984	2	Washer M22	
16	1001262985	1	Seal	
17	1001262986	1	Filter	
18	1001262987	1	Seal	
19	1001262989	1	Adapter	
20	1001262990	1	Adapter	

SECTION 9 - HYDRAULIC COMPONENTS

FIGURE 9-6. VALVES INSTALLATION



ART_1001262763

SECTION 9 - HYDRAULIC COMPONENTS

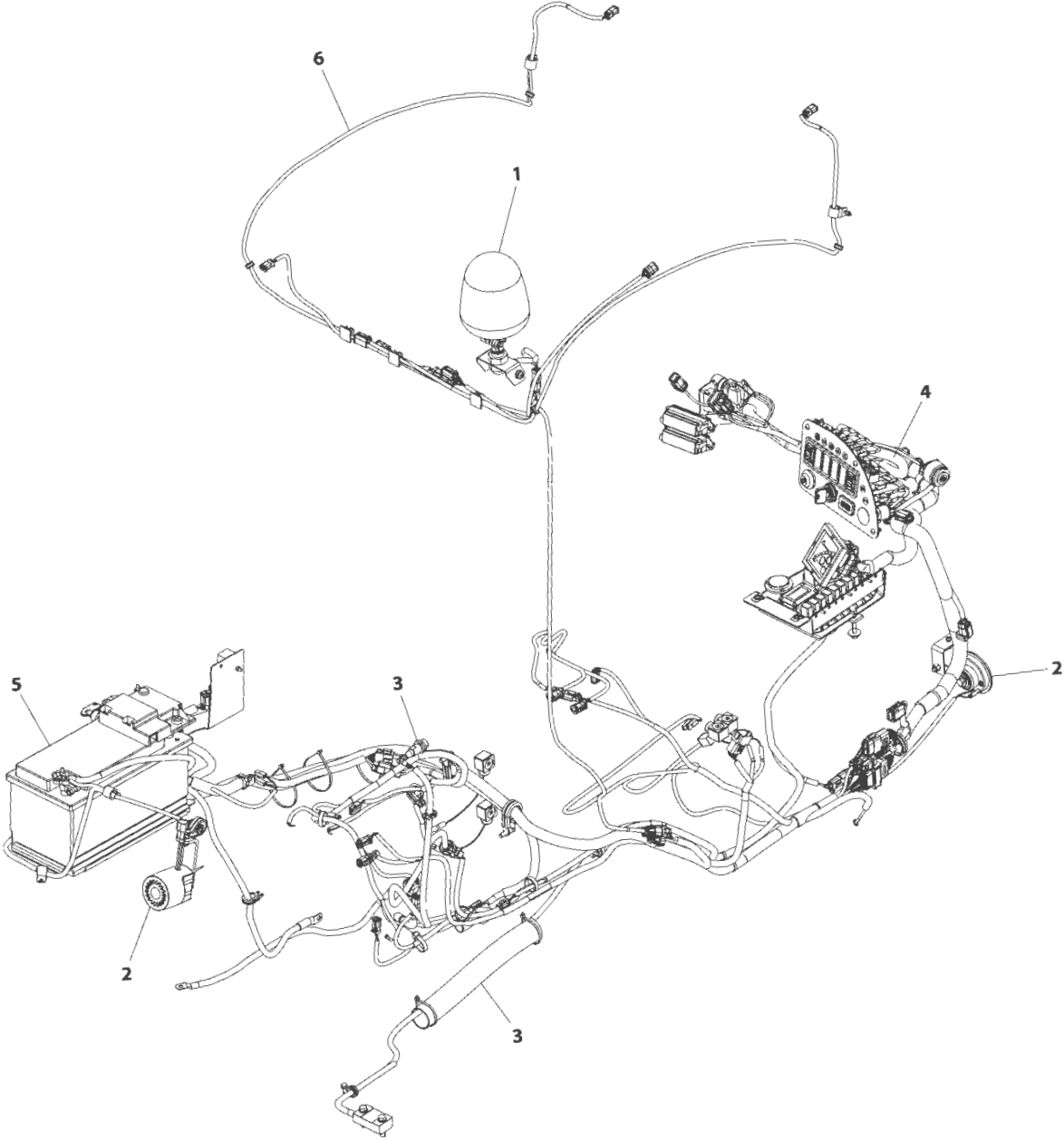
FIGURE 9-6. VALVES INSTALLATION

ITEM	PART NUMBER	QTY	DESCRIPTION	REV
	1001262763	Ref	Valve Installation	A
1	0700617	2	Bolt, M6X45	
2	0760810	4	Bolt, M8X20	
3	0760812	2	Bolt, M8X25	
4	3290606	2	Nut, M6X1	
5	3290805	5	Nut, Lock M8X1.25	
6	4811900	7	Washer, M8	
7	4811902	2	Washer, M8	
8	4831900	4	Washer, Lock M8	
9	1001262952	1	Valve, Main Control	
10	1001262953	1	Bracket	
11	1001262954	3	Stud	
12	1001262955	1	Valve, 3 Way Selector	
13	1001262956	1	Bracket	
14	1001262957	1	Valve, Pressure Check	
15	1001262958	1	Valve, Pressure Limiting	

SECTION 10 - ELECTRICAL

SECTION 10 - ELECTRICAL

FIGURE 10-1. MAIN ELECTRICAL INSTALLATION



ART_1001262567

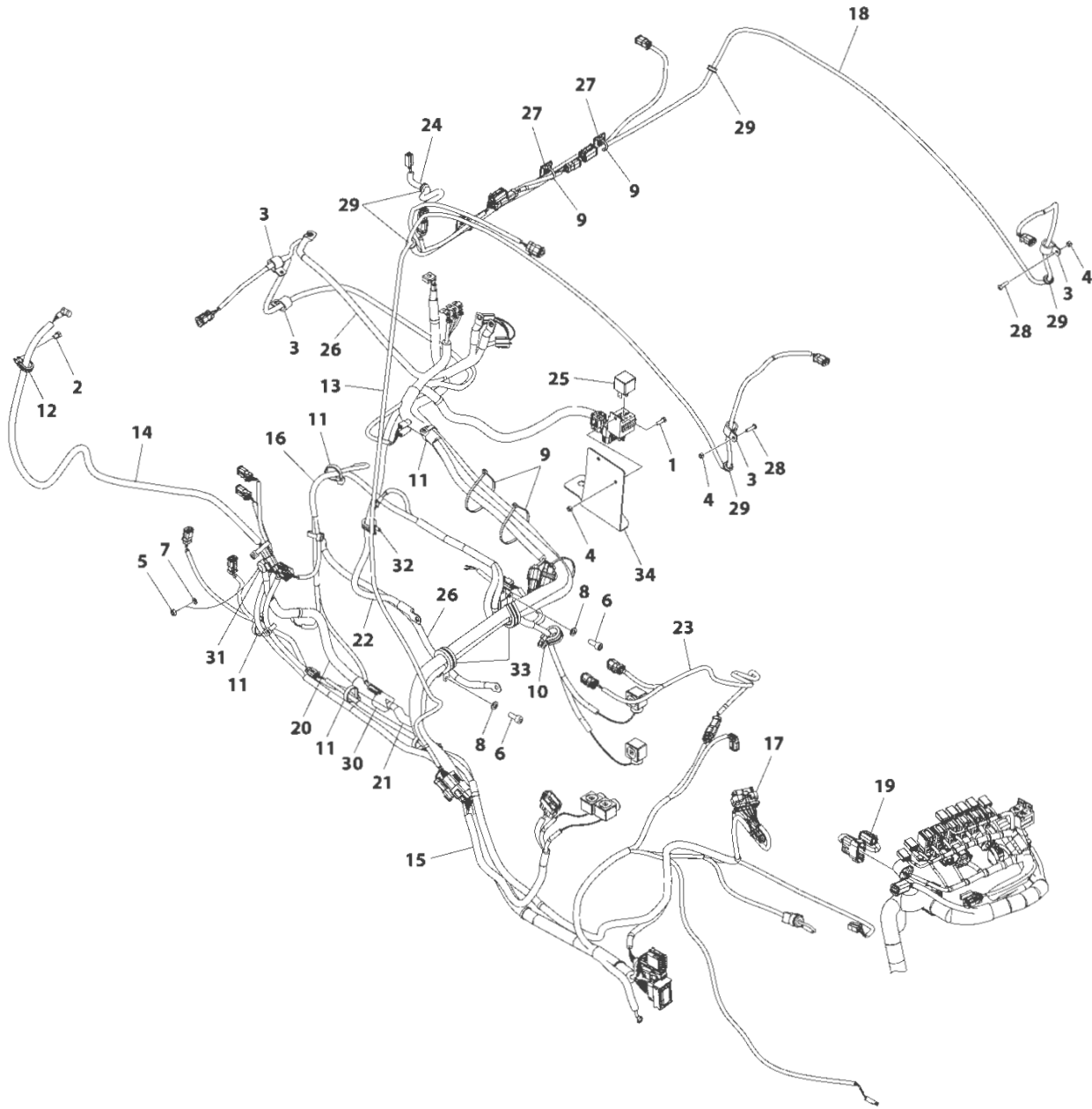
SECTION 10 - ELECTRICAL

FIGURE 10-1. MAIN ELECTRICAL INSTALLATION

ITEM	PART NUMBER	QTY	DESCRIPTION	REV
	1001262567	Ref	MAIN ELECTRICAL INSTALLATION	A
1	1001264255	Ref	Installation, Beacon (See Separate Breakdown in this Section)	
2	1001264256	Ref	Installation, Horn and Alarm (See Separate Breakdown in this Section)	
3	1001264257	Ref	Installation, LSI Sensor (See Separate Breakdown in this Section)	
4	1001264258	Ref	Installation, Cab Electrical (See Separate Breakdown in this Section)	
5	1001264259	Ref	Installation, Battery (See Separate Breakdown in this Section)	
6	1001264260	Ref	Installation, Main Harness (See Separate Breakdown in this Section)	

SECTION 10 - ELECTRICAL

FIGURE 10-2. MAIN HARNESS INSTALLATION



ART_1001264260

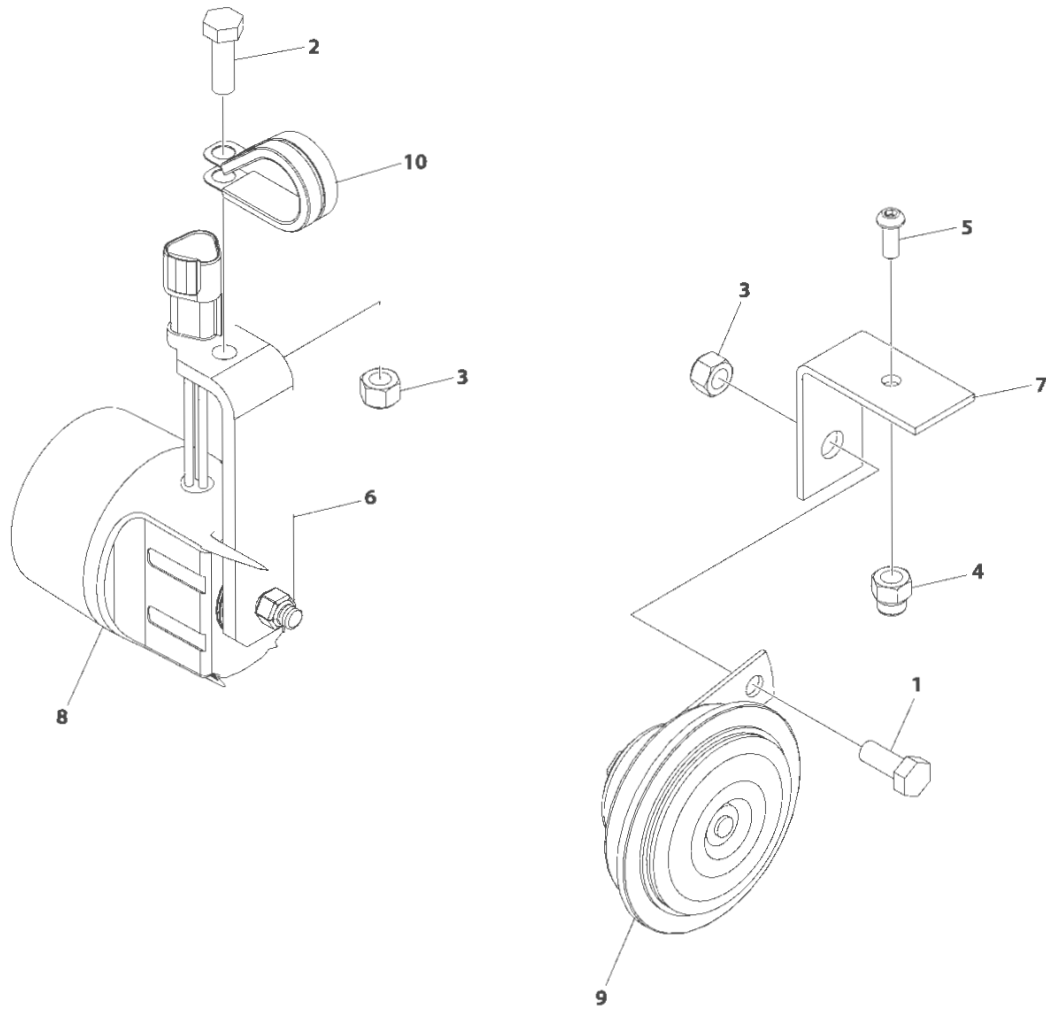
SECTION 10 - ELECTRICAL

FIGURE 10-2. MAIN HARNESS INSTALLATION

ITEM	PART NUMBER	QTY	DESCRIPTION	REV
	1001264260	Ref	Main Harness Installation	A
1	0760508	1	Bolt, M5X16	
2	0760605	1	Bolt, M6X10	
3	1321296	4	Clamp	
4	3290505	3	Nut, Lock M5X0.8	
5	3290601	1	Nut, M6X1	
6	4031908	2	Bolt, M8X20	
7	4831700	1	Washer, Lock M6	
8	4831900	2	Washer, Lock M8	
9	1001002454	6	Tie Wrap	
10	1001262471	1	Clamp	
11	1001262961	8	Strap, Tie	
12	1001264372	1	Clamp	
13	1001264451	1	Harness, Cab Lights	
14	1001264452	1	Harness, LSI Jumper	
15	1001264453	1	Harness, Frame	
16	1001264454	1	Harness, Engine	
17	1001264455	1	Harness, LSI	
18	1001264456	1	Harness, Work Lights Jumper	
19	1001264457	1	Harness, Telematics Jumper	
20	1001264458	2	Cable	
21	1001264459	1	Cable	
22	1001264460	1	Cable	
23	1001264462	1	Harness, Seat Jumper	
24	1001264463	1	Harness, Beacon Jumper	
25	1001264464	1	Relay	
26	1001264465	2	Cable	
27	1001264466	3	Cable	
28	1001264523	2	Screw, M5X20	
29	1001264673	5	Grommet	
30	1001264674	1	Boot	
31	1001264675	1	Boot	
32	1001264676	1	Clamp	
33	1001264677	2	Clamp	
34	1001264736	1	Bracket	

SECTION 10 - ELECTRICAL

FIGURE 10-3. ALARM AND HORN INSTALLATION



ART 1001264256

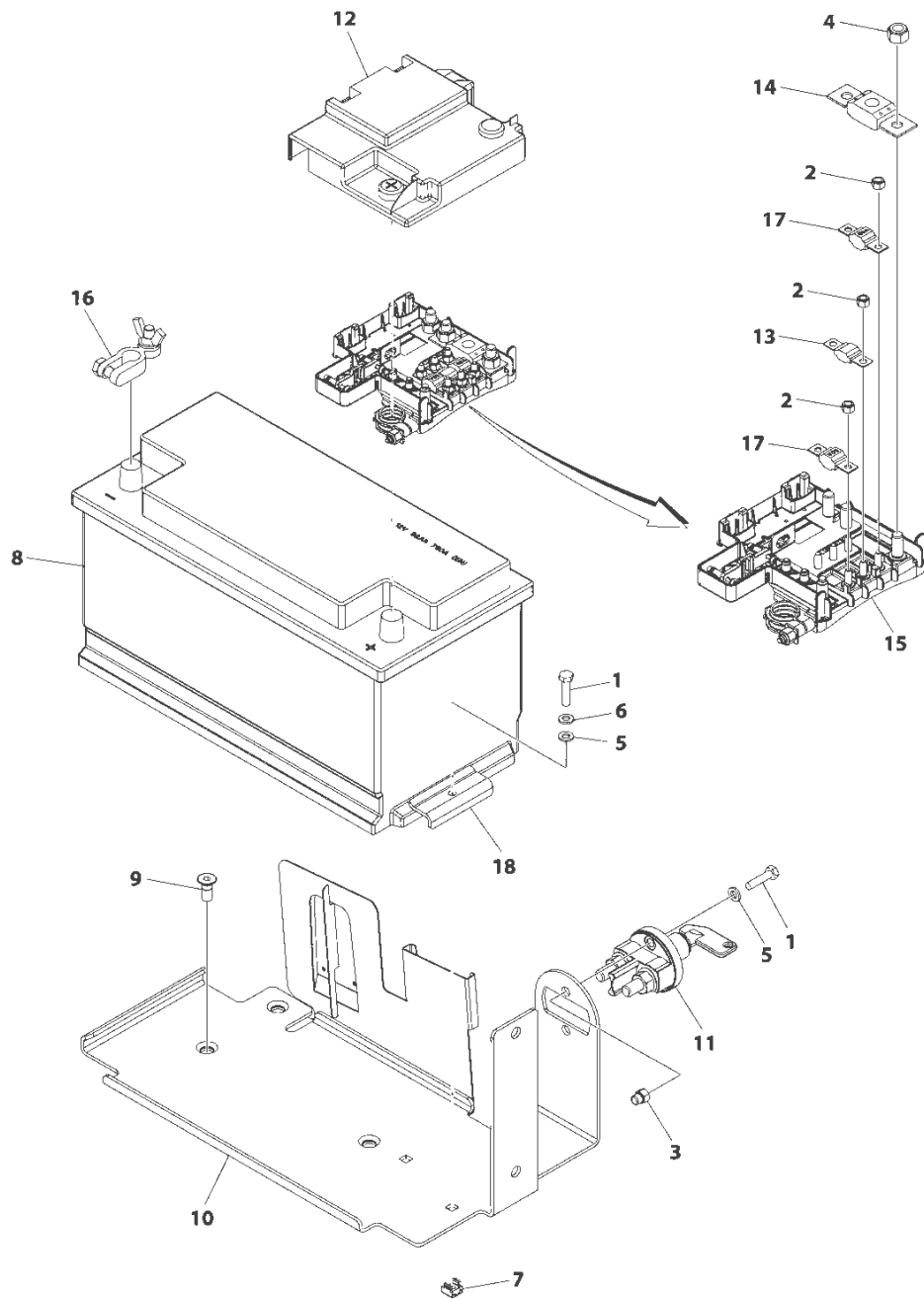
SECTION 10 - ELECTRICAL

FIGURE 10-3. ALARM AND HORN INSTALLATION

ITEM	PART NUMBER	QTY	DESCRIPTION	REV
	1001264256	Ref	ALARM AND HORN INSTALLATION	A
1	0760810	1	Bolt M8 x 20	
2	0760812	1	Bolt M8 x 25	
3	3290805	2	Nut M8	
4	3290806	1	Nut M8	
5	1001264021	1	Screw M6 x 15	
6	1001264270	1	Bracket	
7	1001264271	1	Bracket	
8	1001264272	1	Alarm, Backup	
9	1001264273	1	Alarm, Horn	
10	1001264368	1	Clamp	

SECTION 10 - ELECTRICAL

FIGURE 10-4. BATTERY INSTALLATION



ART_1001264259

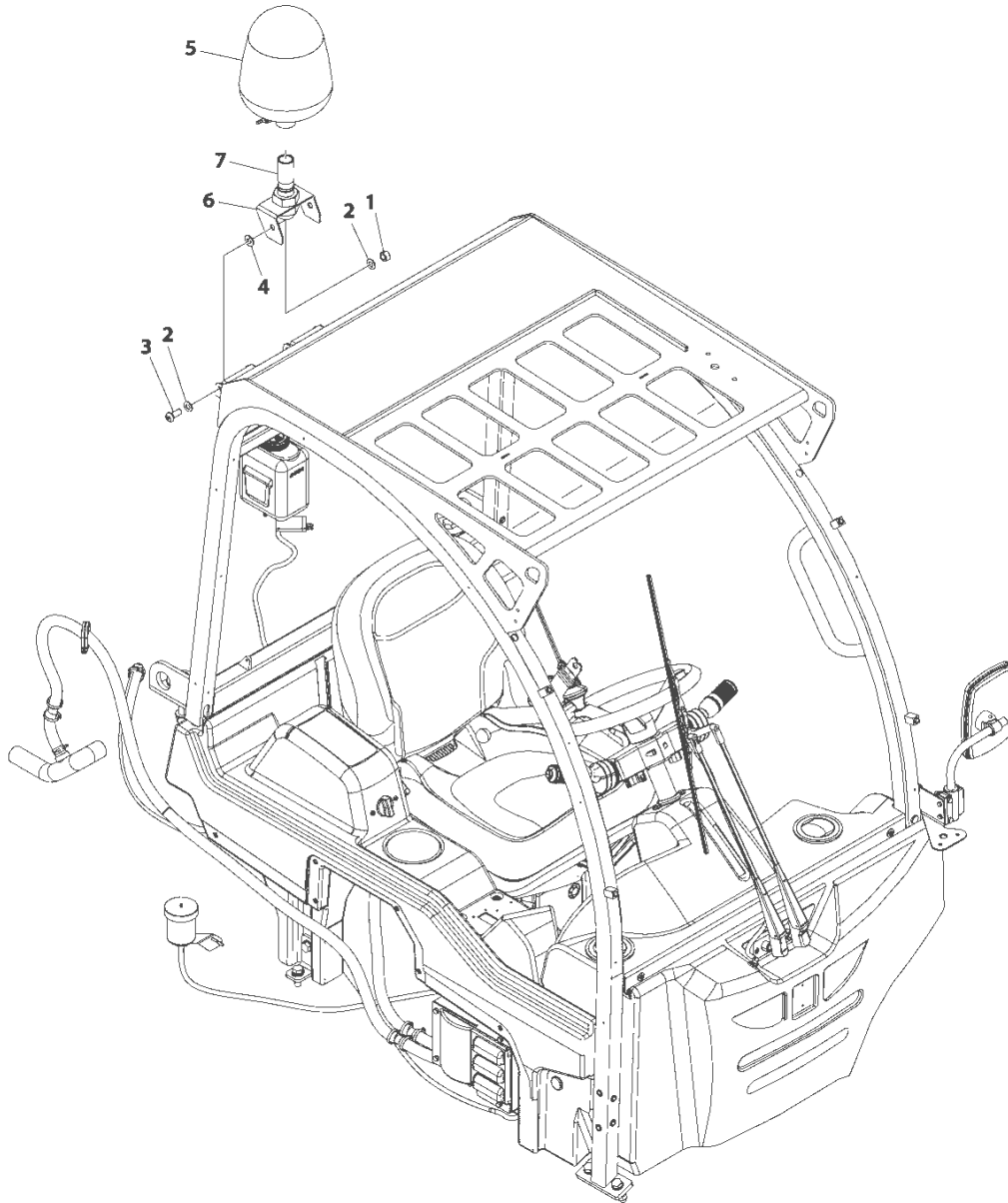
SECTION 10 - ELECTRICAL

FIGURE 10-4. BATTERY INSTALLATION

ITEM	PART NUMBER	QTY	DESCRIPTION	REV
	1001264259	Ref	Battery Installation	A
1	0700612	3	Bolt, M6X25	
2	3290505	6	Nut, Lock M5X0.8	
3	3290606	2	Nut, M6X1	
4	3290805	3	Nut, Lock M8X1.25	
5	4811700	3	Washer, M6	
6	4831700	1	Washer, Lock M6	
7	1001264416	1	Nut, M6	
8	1001264417	1	Battery, 12V	
9	1001264420	3	Screw, M8X20	
10	1001264421	1	Bracket	
11	1001264422	1	Battery, 12VDC	
12	1001264423	1	Fuse, Box Cover	
13	1001264424	1	Fuse, 60amp	
14	1001264425	1	Fuse, 200amp	
15	1001264426	1	Fuse, Box	
16	1001264427	1	Battery	
17	1001264428	2	Fuse, 60amp	
18	1001264429	1	Bracket	

SECTION 10 - ELECTRICAL

FIGURE 10-5. BEACON INSTALLATION



ART_1001264255

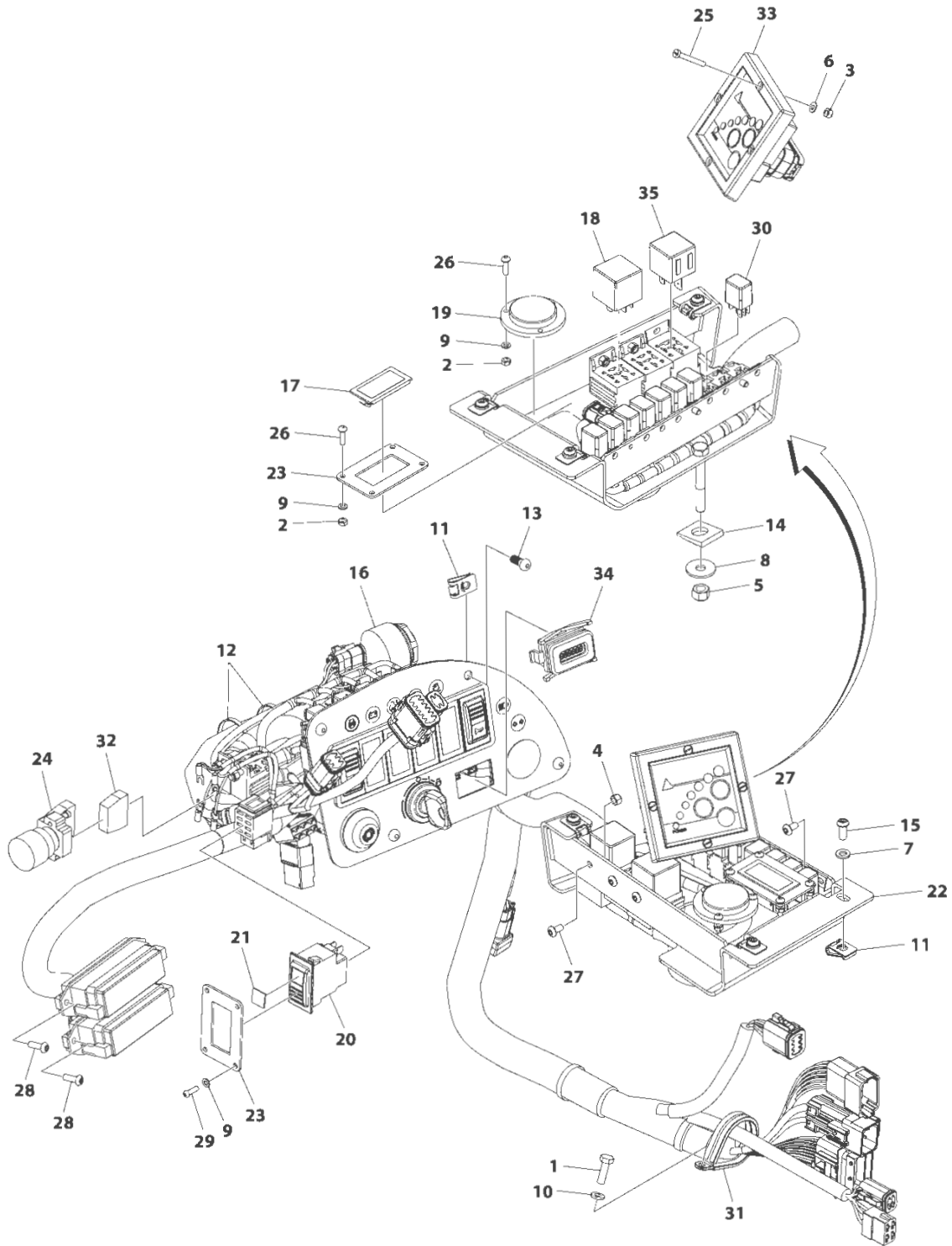
SECTION 10 - ELECTRICAL

FIGURE 10-5. BEACON INSTALLATION

ITEM	PART NUMBER	QTY	DESCRIPTION	REV
	1001264255	Ref	Beacon Installation	A
1	3290805	2	Nut, M8X1.25	
2	4811900	4	Washer, M8	
3	1001262664	2	Screw, M8X20	
4	1001264265	2	Washer, M8	
5	1001264266	1	Lamp	
6	1001264267	1	Bracket	
7	1001264268	1	Mount	

SECTION 10 - ELECTRICAL

FIGURE 10-6. CAB ELECTRICAL INSTALLATION



ART_1001264258

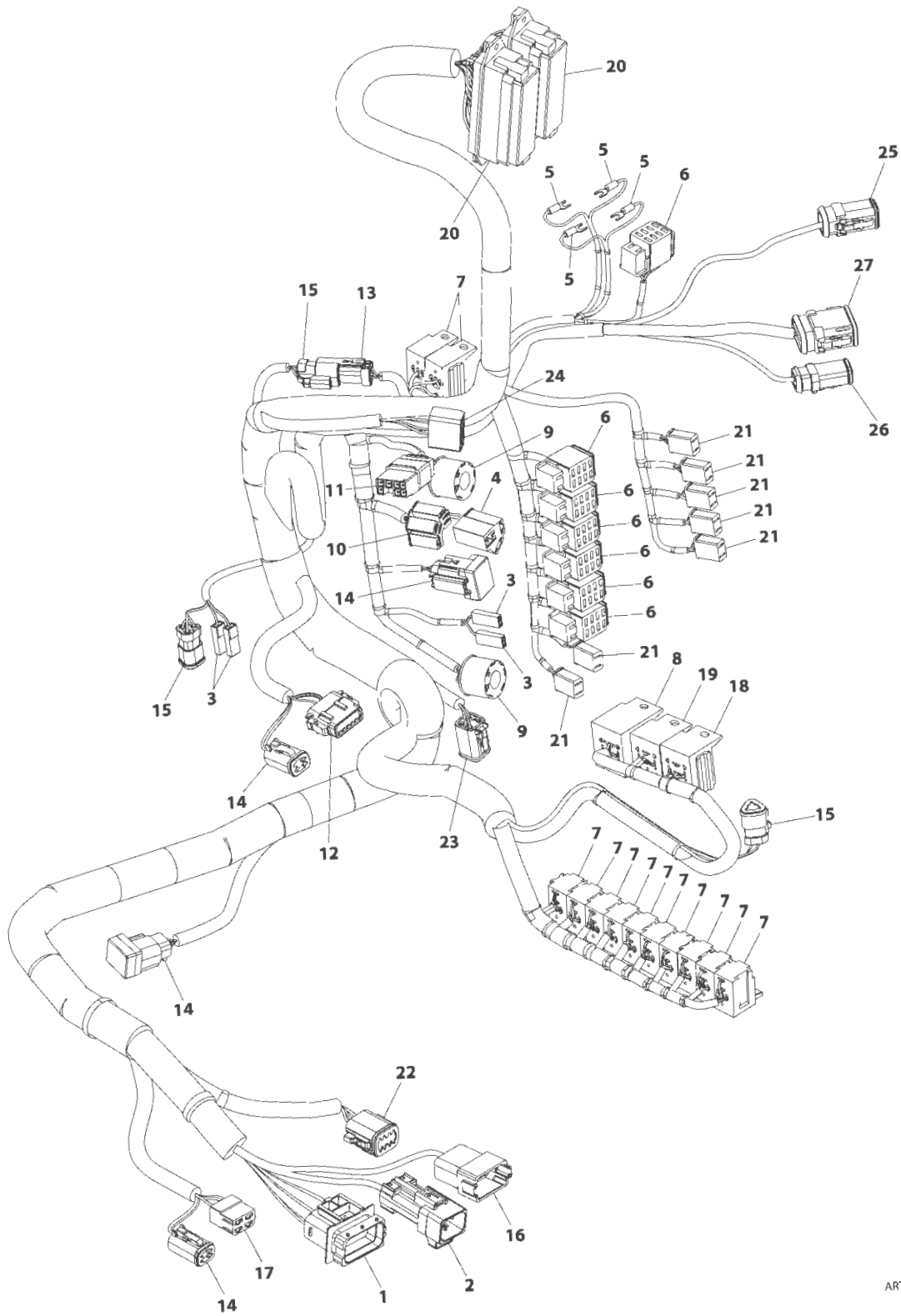
SECTION 10 - ELECTRICAL

FIGURE 10-6. CAB ELECTRICAL INSTALLATION

ITEM	PART NUMBER	QTY	DESCRIPTION	REV
	1001264258	Ref	Cab Electrical Installation	A
1	0700610	1	Bolt, M6X20	
2	3290401	7	Nut, M4X0.7	
3	3290405	4	Nut, Lock M4X0.7	
4	3290505	3	Nut, Lock M5X0.8	
5	3290805	1	Nut, Lock M8X1.25	
6	4811400	4	Washer, M4	
7	4811700	3	Washer, M6	
8	4811902	1	Washer, M8	
9	4831400	11	Washer, Lock M4	
10	4831700	1	Washer, Lock M6	
11	8305919	7	Nut, M6	
12	1001002454	3	Tie Wrap	
13	1001262607	4	Screw, M6X20	
14	1001264017	1	Washer, M14	
15	1001264021	3	Screw, M6X15	
16	1001264262	1	Assembly, Cab Dash Electrical (See Separate Breakdown in this Section)	
17	1001264373	1	Switch, Cover	
18	1001264376	1	Relay	
19	1001264377	1	Lever	
20	1001264378	1	Switch, LSI Override	
21	1001264379	1	Switch, Red Cover	
22	1001264380	1	Bracket	
23	1001264381	2	Switch, Mount Plate	
24	1001264382	1	Switch, Emergency Stop	
25	1001264386	4	Screw, M4X30	
26	1001264387	7	Screw, M4X15	
27	1001264388	6	Screw, M5X10	
28	1001264389	4	Screw, M5X15	
29	1001264391	4	Screw	
30	1001264392	8	Relay	
31	1001264393	1	Clamp	
32	1001264394	1	Stop	
33	1001264432	1	Electrical Assembly, LSI Display	
34	1001264433	1	Electrical Assembly, Hour Display	
35	1001264464	1	Relay	

SECTION 10 - ELECTRICAL

FIGURE 10-7. CAB HARNESS



ART_1001264408

SECTION 10 - ELECTRICAL

FIGURE 10-7. CAB HARNESS

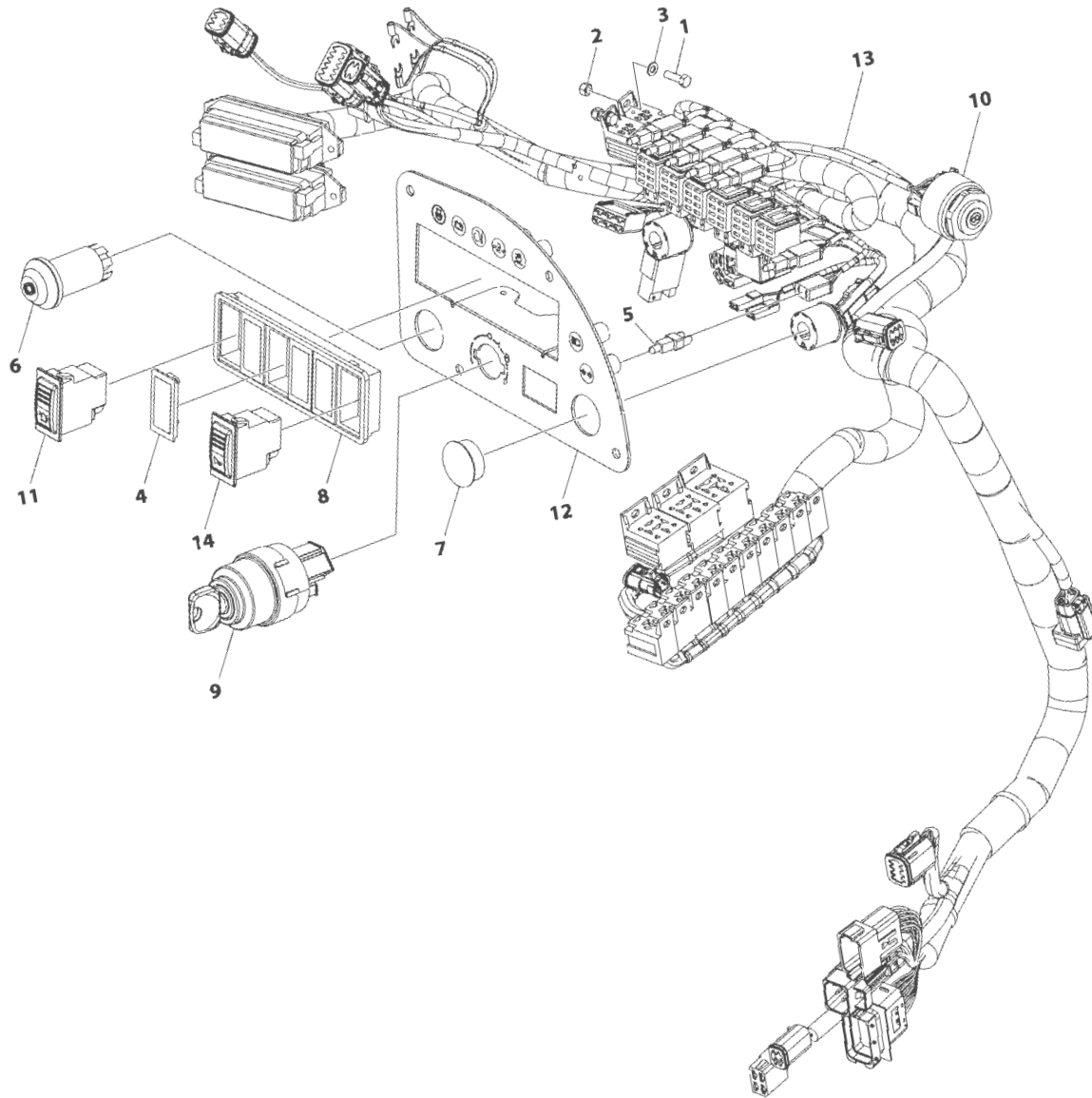
ITEM	PART NUMBER	QTY	DESCRIPTION	REV
	1001264408	Ref	CAB HARNESS	B
1	See Note	1	Connector (Note: No Part Number Assigned)	
1	See Note	2	Terminal (Note: No Part Number Assigned)	
1	See Note	4	Terminal (Note: No Part Number Assigned)	
1	See Note	14	Terminal (Note: No Part Number Assigned)	
1	See Note	4	Terminal (Note: No Part Number Assigned)	
2	See Note	1	Connector (Note: No Part Number Assigned)	
2	See Note	1	Terminal (Note: No Part Number Assigned)	
2	See Note	1	Terminal (Note: No Part Number Assigned)	
3	See Note	4	Connector (Note: No Part Number Assigned)	
3	See Note	8	Terminal (Note: No Part Number Assigned)	
4	7029642	1	Connector	
4	See Note	2	Terminal (Note: No Part Number Assigned)	
5	See Note	4	Terminal Fork (Note: No Part Number Assigned)	
6	See Note	7	Connector (Note: No Part Number Assigned)	
6	See Note	12	Terminal (Note: No Part Number Assigned)	
6	See Note	35	Terminal (Note: No Part Number Assigned)	
7	See Note	12	Connector (Note: No Part Number Assigned)	
7	See Note	20	Terminal (Note: No Part Number Assigned)	
7	See Note	35	Terminal (Note: No Part Number Assigned)	
7	See Note	6	Terminal (Note: No Part Number Assigned)	
7	See Note	2	Terminal (Note: No Part Number Assigned)	
8	See Note	1	Connector (Note: No Part Number Assigned)	
8	See Note	1	Terminal (Note: No Part Number Assigned)	
8	See Note	2	Terminal (Note: No Part Number Assigned)	
8	See Note	2	Terminal (Note: No Part Number Assigned)	
9	See Note	2	Connector (Note: No Part Number Assigned)	
9	See Note	10	Terminal (Note: No Part Number Assigned)	
9	See Note	2	Terminal (Note: No Part Number Assigned)	
9	See Note	4	Terminal (Note: No Part Number Assigned)	
10	7029643	1	Connector	
10	1001116716	4	Terminal	
10	See Note	1	Terminal (Note: No Part Number Assigned)	
11	See Note	1	Connector (Note: No Part Number Assigned)	
11	See Note	7	Terminal (Note: No Part Number Assigned)	
12	4460908	1	Connector	
12	4460915	1	Wedge Lock	
12	1001116994	6	Terminal	
12	77363349	6	Plug	
13	See Note	1	Connector (Note: No Part Number Assigned)	
13	1001116693	2	Terminal	
13	4460466	1	Plug	
14	80484087	4	Connector	
14	80604021	4	Wedge Lock	
14	See Note	15	Terminal (Note: No Part Number Assigned)	
14	4460466	1	Plug	
15	See Note	3	Connector (Note: No Part Number Assigned)	
15	1001116692	8	Terminal	
15	See Note	1	Terminal (Note: No Part Number Assigned)	
16	4460532	1	Connector	

SECTION 10 - ELECTRICAL

ITEM	PART NUMBER	QTY	DESCRIPTION	REV
16	1001116986	1	Wedge Lock	
16	1001116693	9	Terminal	
16	7029526	1	Terminal	
16	4460466	2	Plug	
17	1001116986	1	Connector	
17	See Note	3	Terminal (Note: No Part Number Assigned)	
18	See Note	1	Connector (Note: No Part Number Assigned)	
18	See Note	4	Terminal (Note: No Part Number Assigned)	
18	See Note	2	Terminal (Note: No Part Number Assigned)	
19	See Note	1	Connector (Note: No Part Number Assigned)	
19	See Note	5	Terminal (Note: No Part Number Assigned)	
20	See Note	2	Connector (Note: No Part Number Assigned)	
20	See Note	13	Terminal (Note: No Part Number Assigned)	
20	See Note	12	Terminal (Note: No Part Number Assigned)	
20	See Note	5	Terminal (Note: No Part Number Assigned)	
21	70020193	7	Connector	
21	See Note	18	Terminal (Note: No Part Number Assigned)	
21	See Note	1	Terminal (Note: No Part Number Assigned)	
22	See Note	1	Connector (Note: No Part Number Assigned)	
22	1001116692	7	Terminal	
22	114017	1	Plug	
23	91504088	1	Connector	
23	91504107	1	Wedge Lock	
23	1001116692	4	Terminal	
24	7029658	1	Connector	
24	See Note	9	Terminal (Note: No Part Number Assigned)	
25	See Note	1	Connector (Note: No Part Number Assigned)	
25	1001116692	3	Terminal	
25	4460466	3	Plug	
26	See Note	1	Connector (Note: No Part Number Assigned)	
26	1001116692	2	Terminal	
26	4460466	2	Plug	
27	See Note	1	Connector (Note: No Part Number Assigned)	
27	1001116692	12	Terminal	

SECTION 10 - ELECTRICAL

FIGURE 10-8. CAB DASH ELECTRICAL ASSEMBLY



ART_1001264262

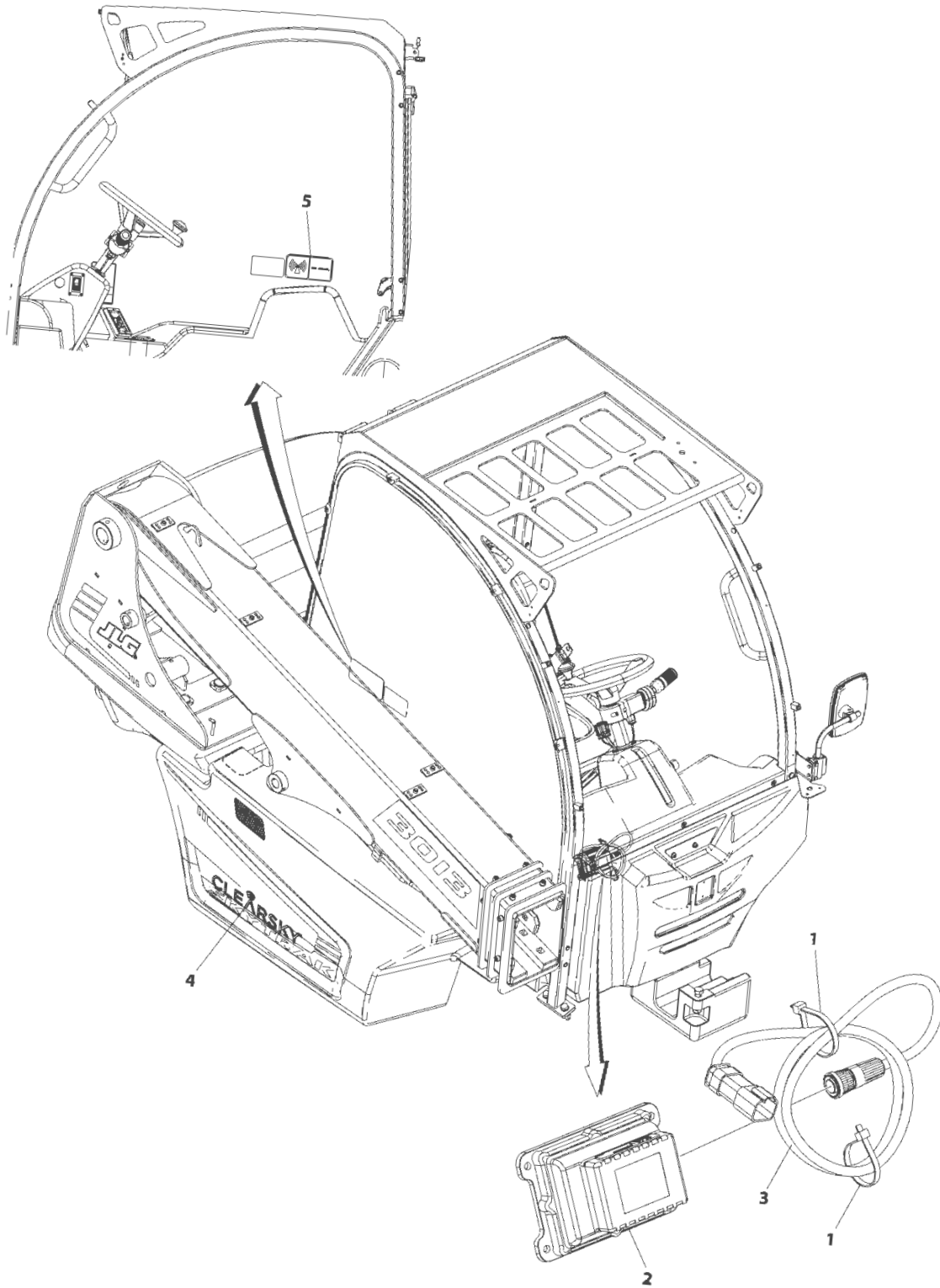
SECTION 10 - ELECTRICAL

FIGURE 10-8. CAB DASH ELECTRICAL ASSEMBLY

ITEM	PART NUMBER	QTY	DESCRIPTION	REV
	1001264262	Ref	CAB DASH ELECTRICAL ASSEMBLY	A
1	0760508	2	Bolt M5 x 16	
2	3290505	2	Nut M5 x 0.8	
3	4811600	2	Washer M5	
4	1001264373	4	Switch, Cover	
5	1001264398	7	Lamp	
6	1001264400	1	Switch, Park Brake	
7	1001264401	1	Plug	
8	1001264402	1	Switch, Holder	
9	1001264403	1	Switch, Ignition	
9	8035807	1	Key, Ignition (set of 2)	
10	1001264405	1	Switch, Acoustic Warning	
11	1001264406	1	Switch, Beacon	
12	1001264407	1	Plate	
13	1001264408	1	Cab Harness	
14	1001264409	1	Switch, Horn	

SECTION 10 - ELECTRICAL

FIGURE 10-9. CLEARSKY TELEMATICS 3-WIRE INSTALLATION (Prior to SN H160000305)



ART_1001263381

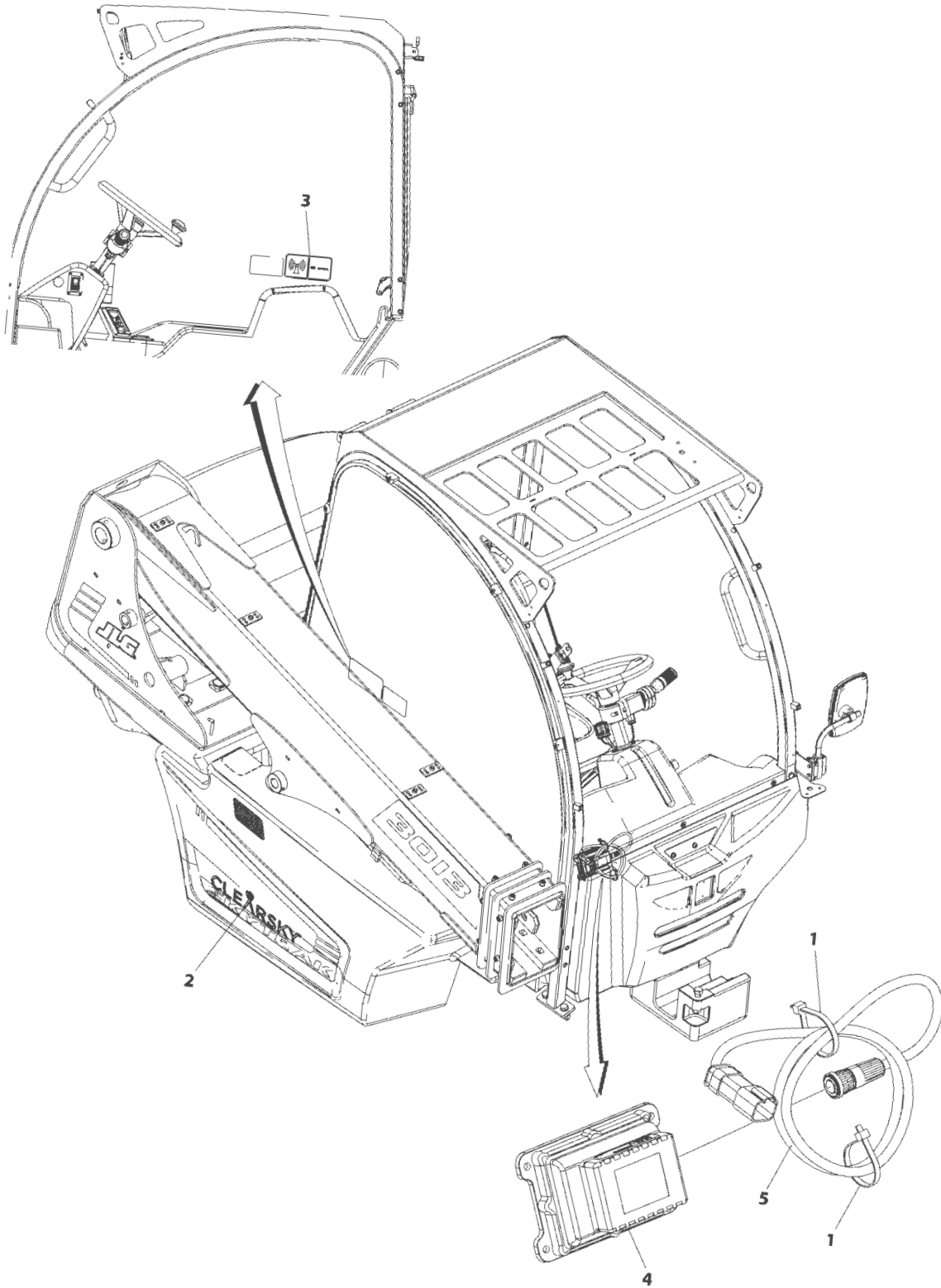
SECTION 10 - ELECTRICAL

FIGURE 10-9. CLEARSKY TELEMATICS 3-WIRE INSTALLATION (Prior to SN H160000305)

ITEM	PART NUMBER	QTY	DESCRIPTION	REV
	1001263381	Ref	CLEARSKY TELEMATICS 3-WIRE INSTALLATION	B
1	1001008559	2	Strap, Cable	
2	1001226328	1	Electrical Assembly	
3	1001227066	1	Harness	
4	1001116208	1	Decal, Clear Sky	
5	1001120989	1	Decal, Radio Frequency	

SECTION 10 - ELECTRICAL

FIGURE 10-10. CLEARSKY TELEMATICS 3-WIRE INSTALLATION (SN H160000305 to Present)



ART_1001276607

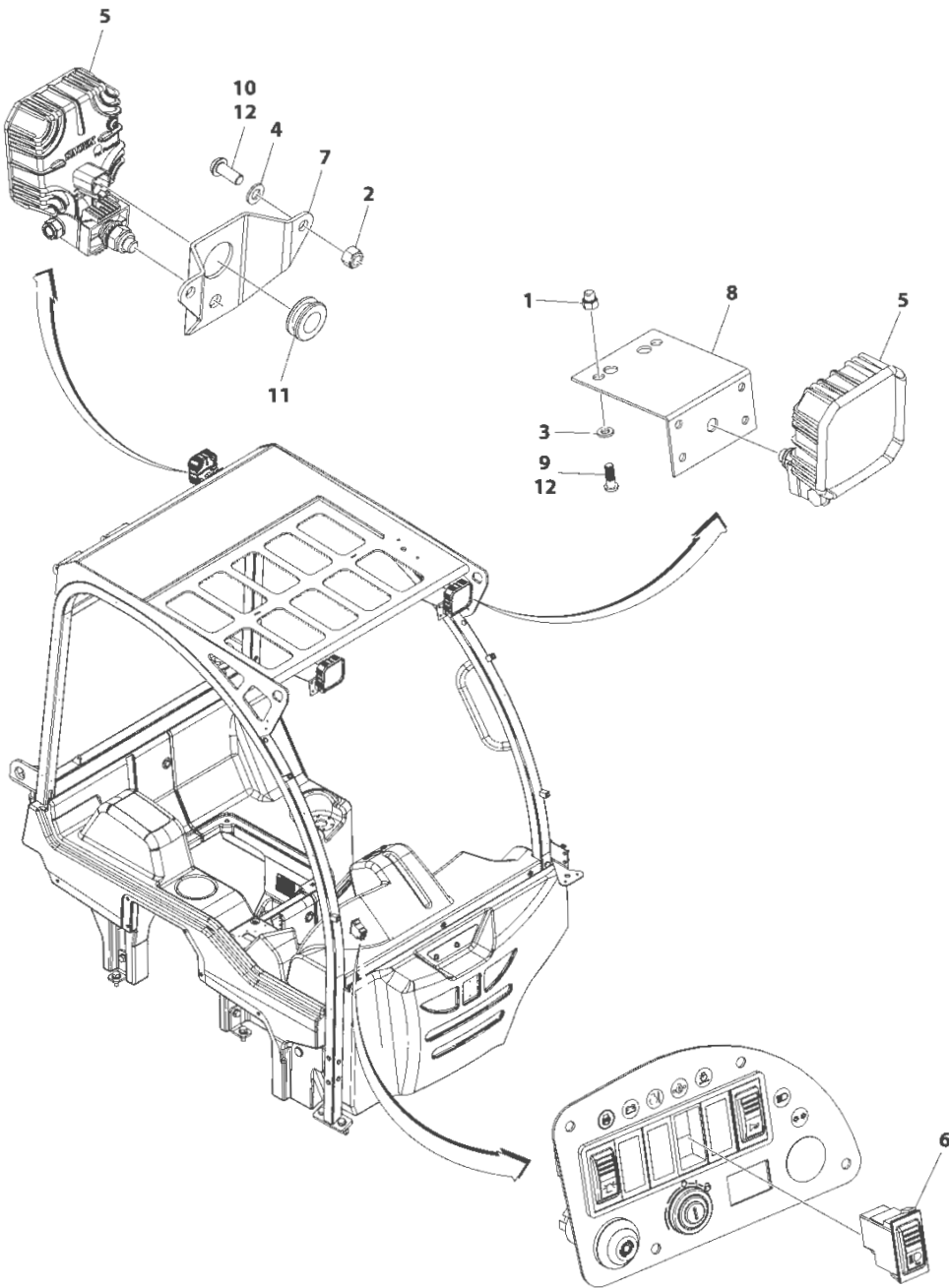
SECTION 10 - ELECTRICAL

FIGURE 10-10. CLEARSKY TELEMATICS 3-WIRE INSTALLATION (SN H160000305 to Present)

ITEM	PART NUMBER	QTY	DESCRIPTION	REV
	1001276607	Ref	CLEARSKY TELEMATICS 3-WIRE INSTALLATION CLEARSKY TELEMATICS 3-WIRE INSTALLATION	A
1	1001008559	2	Strap, Cable	
2	1001116208	1	Decal, Clear Sky	
3	1001120989	1	Decal, Radio Frequency	
4	1001272659	1	ClearSky Module	
5	1001273012	1	Harness	

SECTION 10 - ELECTRICAL

FIGURE 10-11. LIGHTS - WORKLIGHTS INSTALLATION (CAB MOUNTED)



ART_1001262406

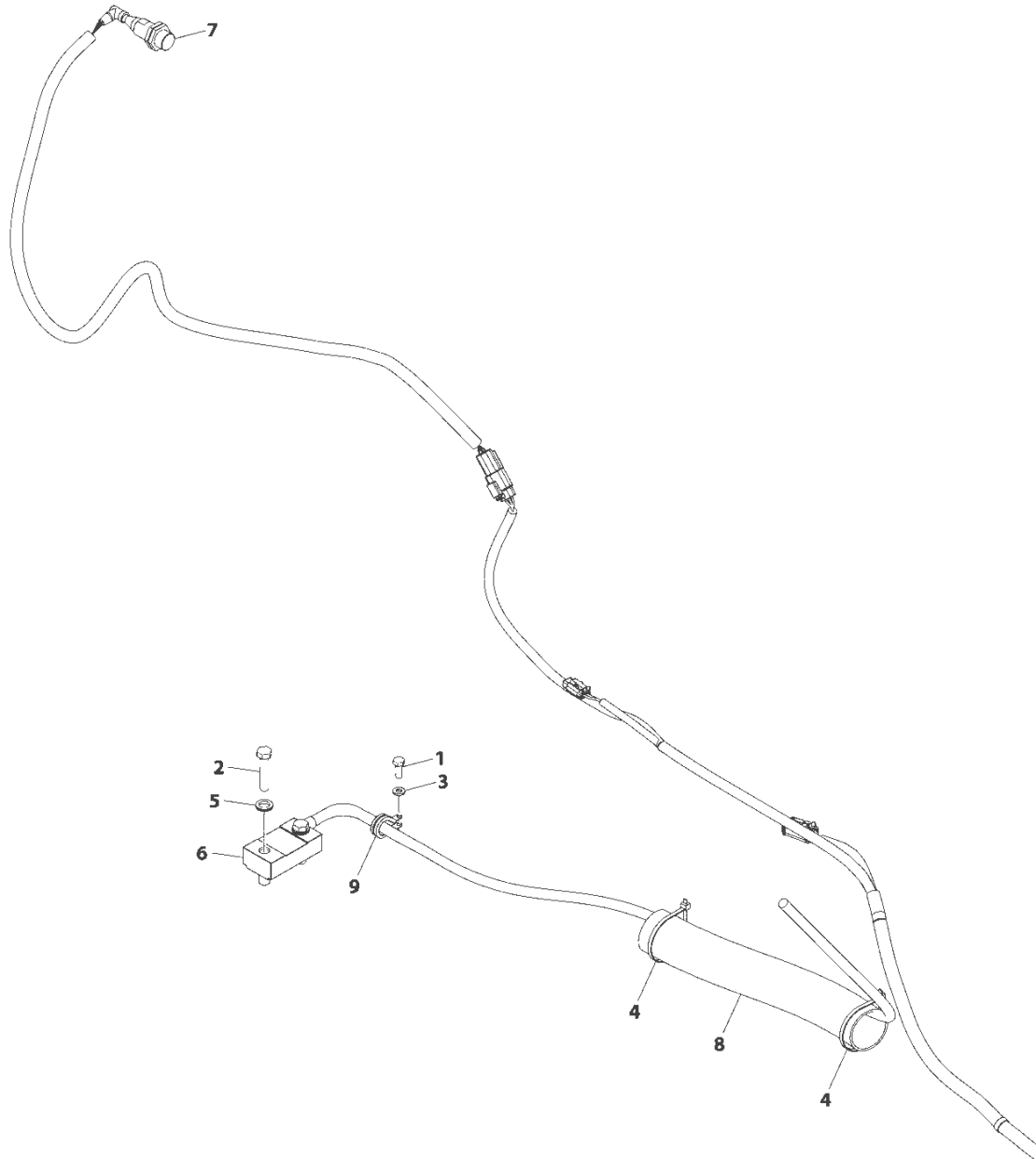
SECTION 10 - ELECTRICAL

FIGURE 10-11. LIGHTS - WORKLIGHTS INSTALLATION (CAB MOUNTED)

ITEM	PART NUMBER	QTY	DESCRIPTION	REV
	1001262406	Ref	LIGHTS - WORKLIGHTS INSTALLATION (CAB MOUNTED)	A
1	3290606	4	Nut M6	
2	3290805	2	Nut M8	
3	4811700	4	Washer M6	
4	4811900	2	Washer M8	
5	1001262603	3	Lamp	
6	1001262604	1	Switch	
7	1001262605	1	Bracket	
8	1001262606	2	Bracket	
9	1001262607	4	Screw M6 x 20	
10	1001262664	2	Screw M8 x 20	
11	1001263266	1	Grommet	
12	0100035	AR	Loctite	

SECTION 10 - ELECTRICAL

FIGURE 10-12. LSI SENSOR INSTALLATION



ART_1001264257

SECTION 10 - ELECTRICAL

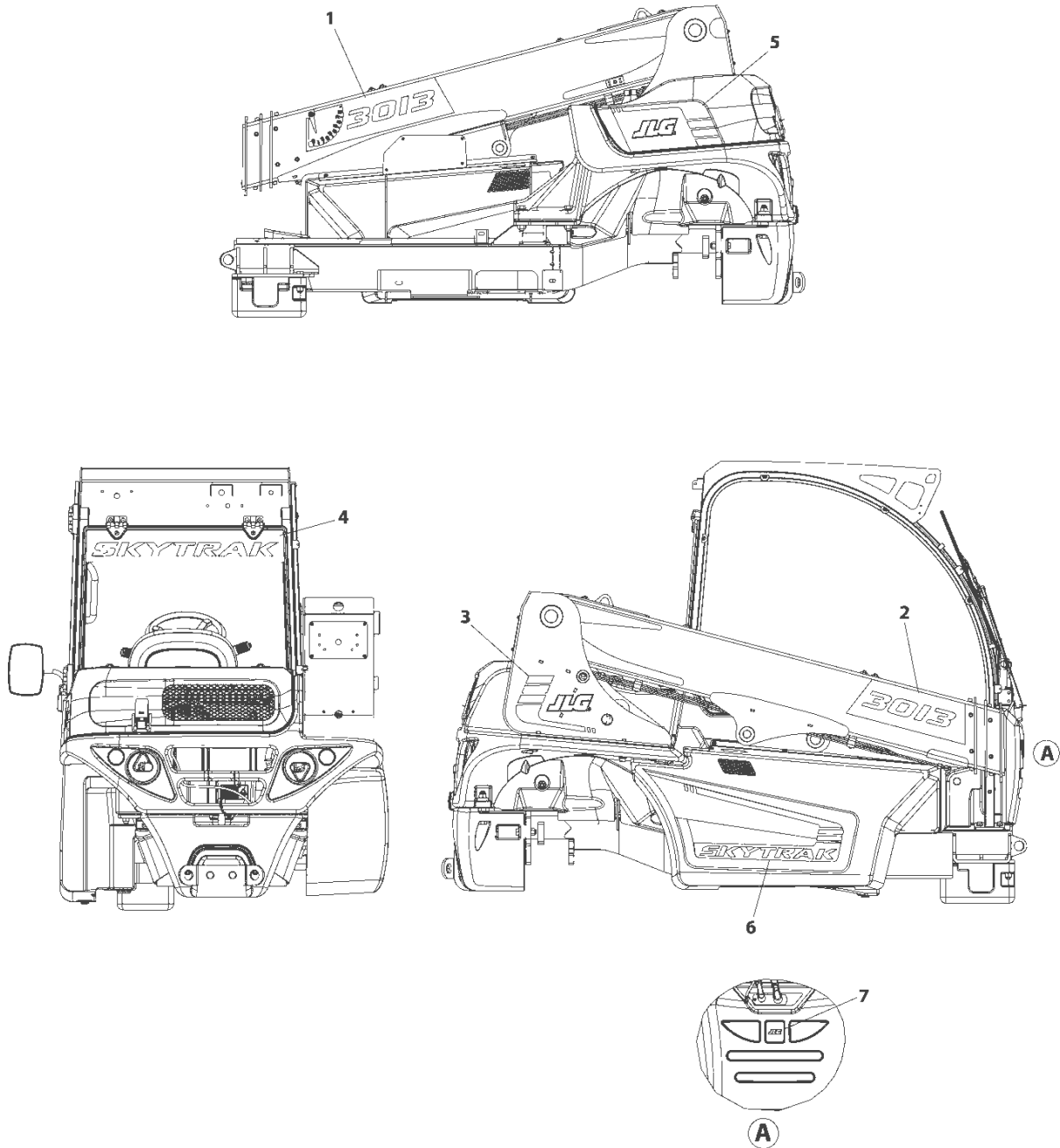
FIGURE 10-12. LSI SENSOR INSTALLATION

ITEM	PART NUMBER	QTY	DESCRIPTION	REV
	1001264257	Ref	LSI Sensor Installation	A
1	0760608	1	Bolt, M6X16	
2	0770816	2	Bolt, M8X40	
3	4831700	1	Washer, Lock M6	
4	1001002454	2	Tie Wrap	
5	1001261551	2	Washer, M10	
6	1001264369	1	Sensor, LSI	
7	1001264370	1	Sensor, Proximity	
8	1001264371	1	Sleeve	
9	1001264372	1	Clamp	

SECTION 11 - DECALS

SECTION 11 - DECALS

FIGURE 11-1. DECALS INSTALLATION (BRANDING)



ART_1001260874

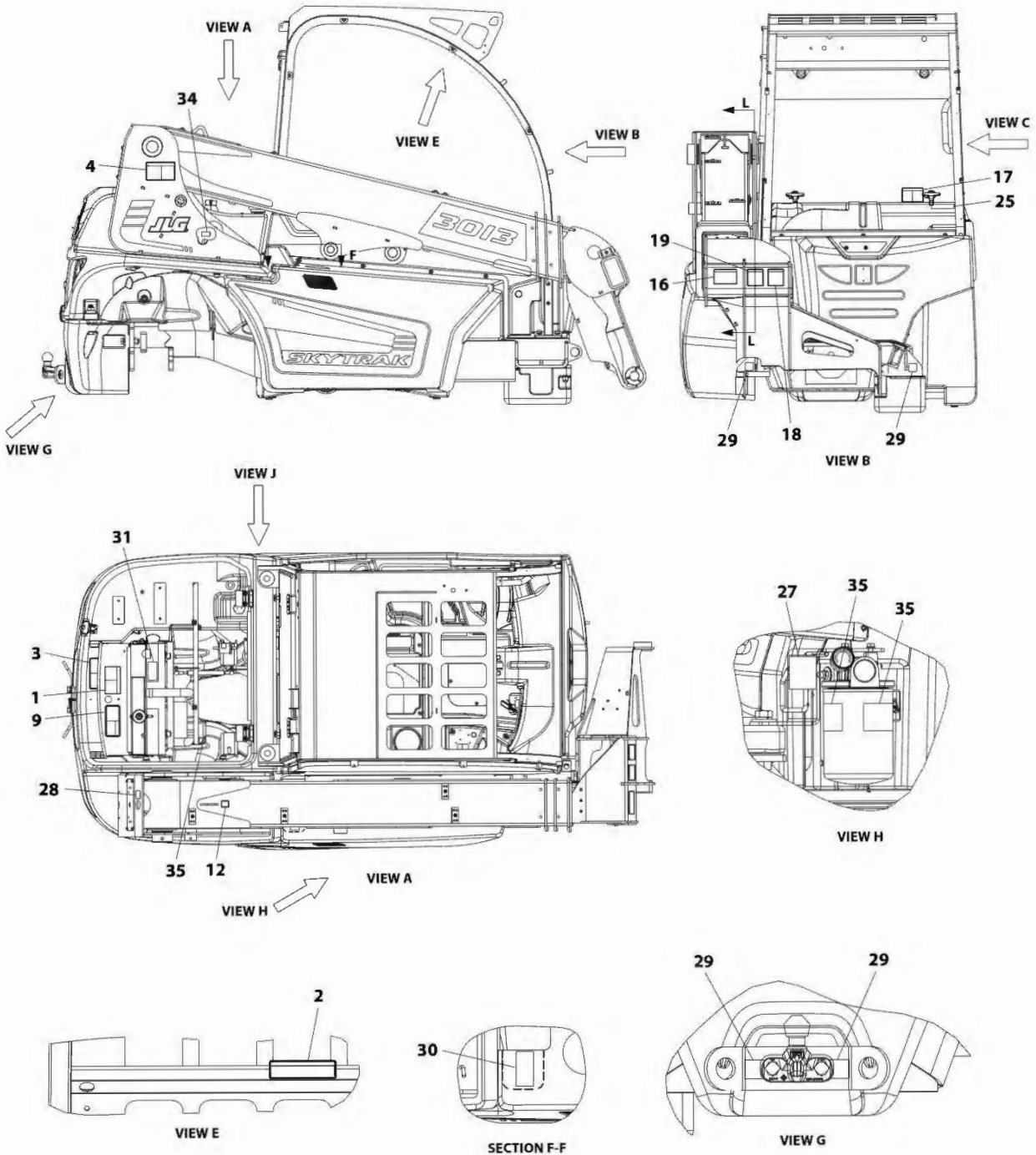
SECTION 11 - DECALS

FIGURE 11-1. DECALS INSTALLATION (BRANDING)

ITEM	PART NUMBER	QTY	DESCRIPTION	REV
	1001260874	Ref	Decals Installation (Branding)	B
1	1001260291	1	Decal, Boom Indicator	
2	1001260292	1	Decal, Boom Model	
3	1001260294	1	Decal, Right Side Boom Tower	
4	1001260688	1	Decal, Rear Cab Window	
5	1001260293	1	Decal, Cab Side Hood	
6	1001260295	1	Decal, Right Side Cover	
7	1001269743	1	Decal, JLG	

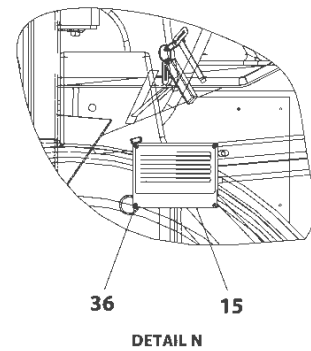
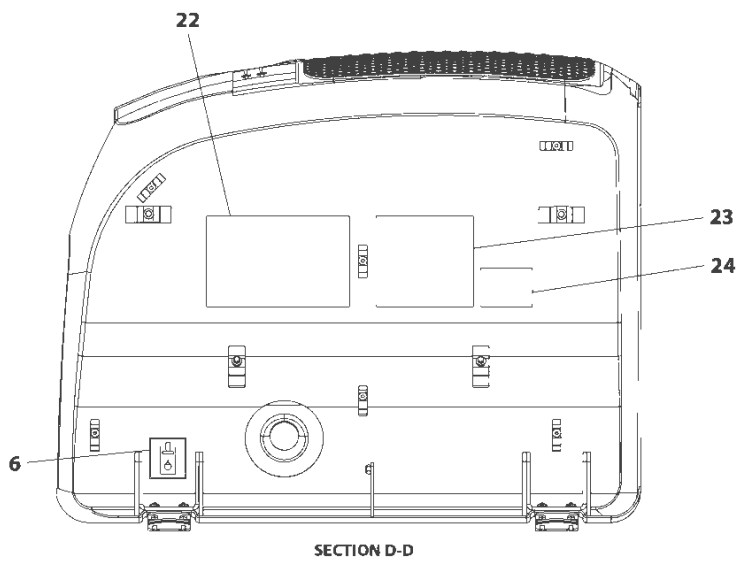
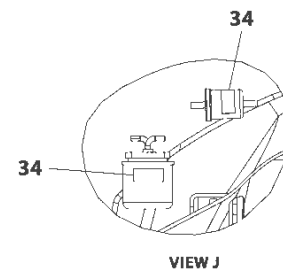
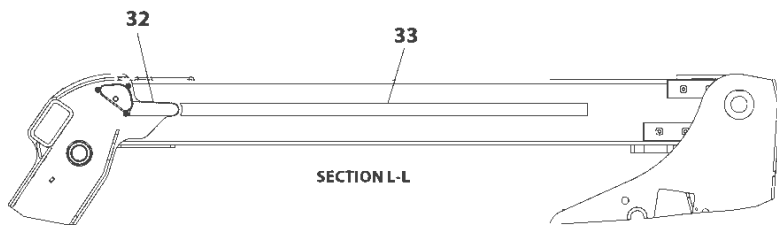
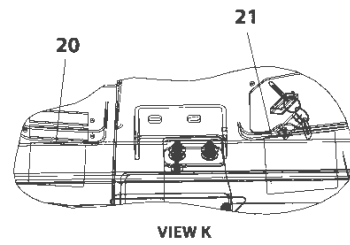
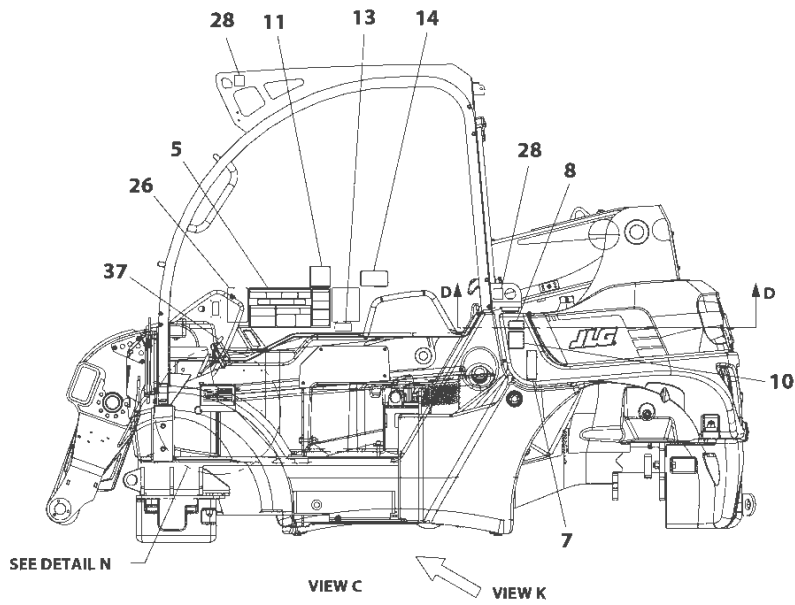
SECTION 11 - DECALS

FIGURE 11-2. DECALS INSTALLATION (ANSI)



ART_1001260779_10F2

SECTION 11 - DECALS



ART_1001260779_20F2

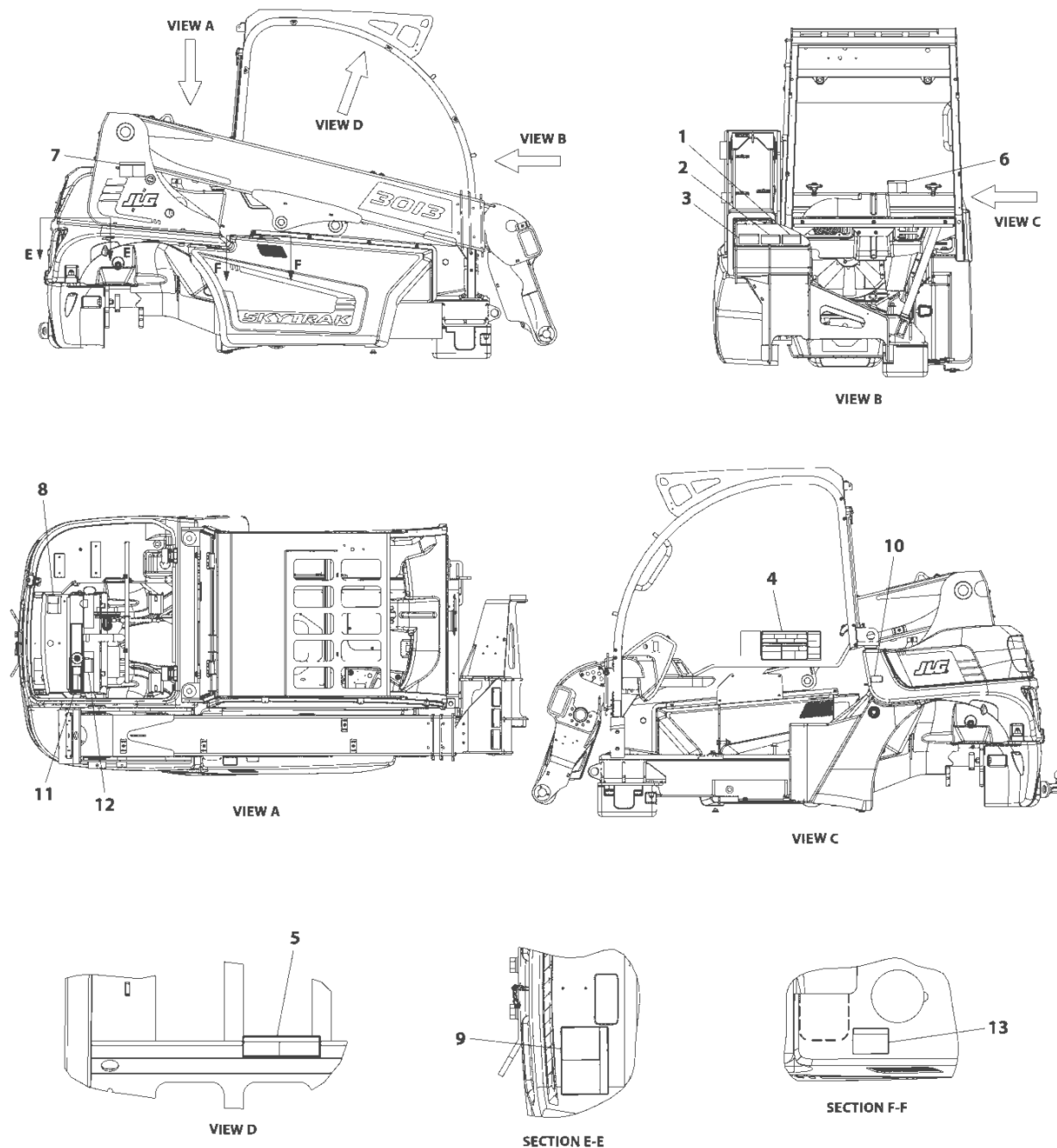
SECTION 11 - DECALS

FIGURE 11-2. DECALS INSTALLATION (ANSI)

ITEM	PART NUMBER	QTY	DESCRIPTION	REV
	1001260779	Ref	Decals Installation (ANSI)	B
1	1706296	1	Decal, Battery Warning	
2	1706299	1	Decal, Warning	
3	1706300	1	Decal, Warning	
4	1706302	1	Decal, Pinch Point	
5	1707078	1	Decal, Warning/Danger (Cab)	
6	4100181	1	Decal, Hydraulic Oil Fill	
7	4108302	1	Decal, Hydraulic Oil Level	
8	1001125387	1	Decal, Ultra Low Sulfur Fuel	
9	1001139578	1	Decal, Hot Fluid Warning	
10	1001189017	1	Decal, Diesel Full Fill	
11	1001200101	1	Decal, Manual Location	
12	1001212292	1	Decal, No Lifting	
13	1001223453	1	Decal, ICES (CAN)	
14	1001231801	1	Decal, Warning	
15	1001260076	1	Plate, Serial Number	
16	1001260776	1	Decal, Falling Personnel	
17	1001260780	2	Decal, Rear Window Entry/Exit	
18	1001260879	1	Decal, Platform Personnel	
19	1001260880	1	Decal, Do Not Travel	
20	1001263396	1	Decal, Fuse Box Cab	
21	1001263397	1	Decal, Fuse Box	
22	1001263398	1	Decal, Grease Points	
23	1001263399	1	Decal, Maintenance Hours	
24	1001263402	1	Decal, Tire Pressure	
25	1001263403	1	Decal, Cab Structure	
26	1001263404	1	Decal, Joystick	
27	1001263405	1	Decal, Brake Oil	
28	1001268712	4	Decal, Lift Point	
29	1001268713	4	Decal, Tie Down	
30	1001263408	1	Decal, Hot Exhaust Warning	
31	1001263409	1	Decal, Fan Warning	
32	1001263410	1	Decal, Boom Letter A	
33	1001263411	1	Decal, Boom Extend Letters	
34	1001263412	3	Decal, Neutral Brand Small	
35	1001263413	3	Decal, Neutral Brand Large	
36	1001264418	4	Rivet	
37	1001264619	1	Ring, Key	

SECTION 11 - DECALS

FIGURE 11-3. DECALS INSTALLATION (FRENCH)



ART_1001263348

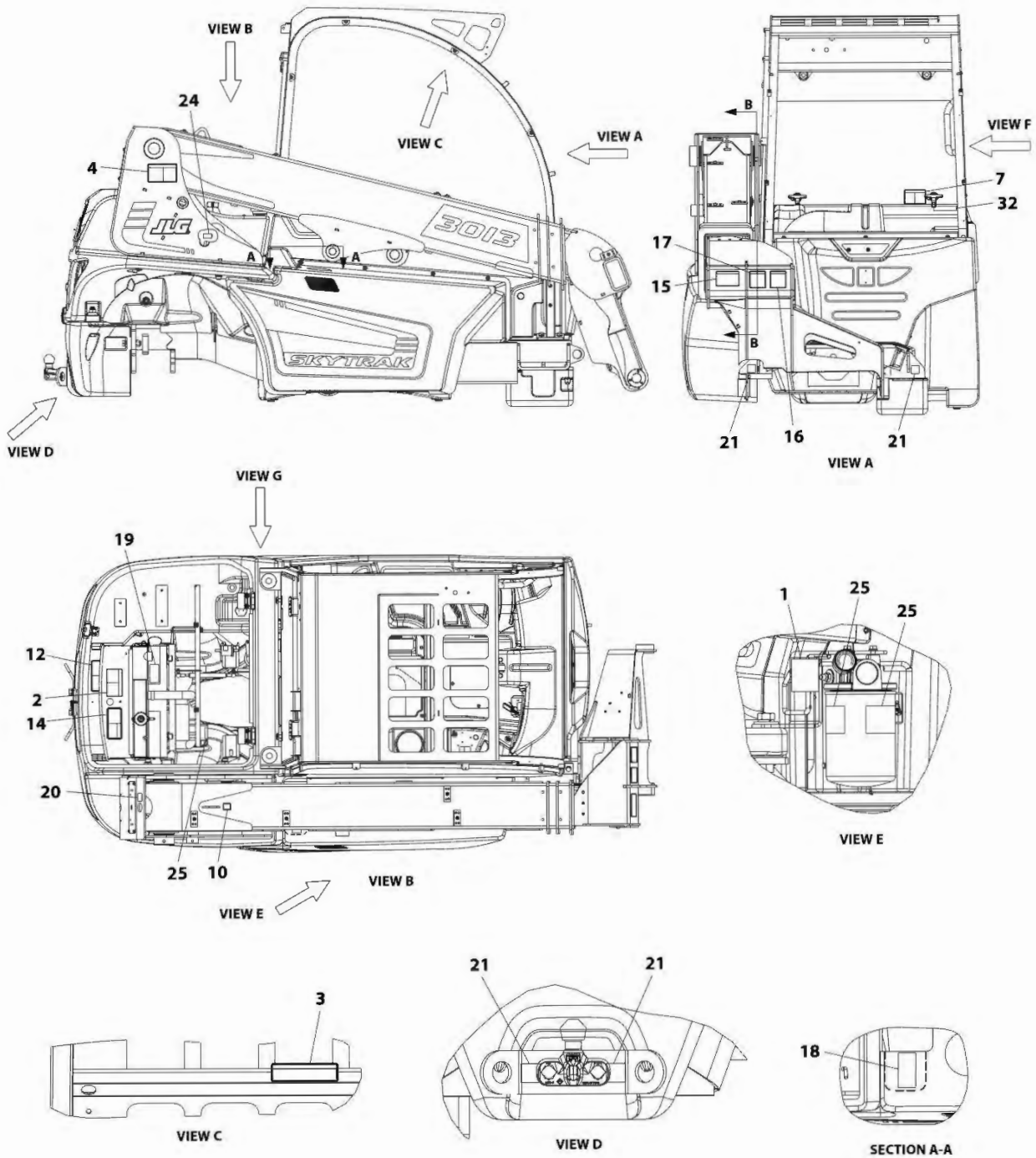
SECTION 11 - DECALS

FIGURE 11-3. DECALS INSTALLATION (FRENCH)

ITEM	PART NUMBER	QTY	DESCRIPTION	REV
	1001263348	Ref	Decals Installation (French)	A
1	1001263439	1	Decal, Do Not Travel (CAN)	
2	1001263440	1	Decal, Platform Personnel (CAN)	
3	1001263441	1	Decal, Falling Personnel (CAN)	
4	1001263464	1	Decal, Warning Cab (FR)	
5	1001263466	1	Decal, Electrocution Hazard (FR)	
6	1001263467	2	Decal, Rear Window Exit (FR)	
7	1001263468	1	Decal, Pinch Point (FR)	
8	1001263469	1	Decal, Battery Warning (FR)	
9	1001263471	1	Decal, Warning No Ether (FR)	
10	1001263472	1	Decal, Ultra Low Sulfur Fuel (FR)	
11	1001263473	1	Decal, Warning Hot Fluid (FR)	
12	1001263475	1	Decal, Warning Fan (FR)	
13	1001263481	1	Decal, Warning Hot Exhaust (FR)	

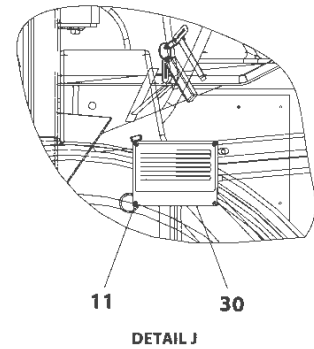
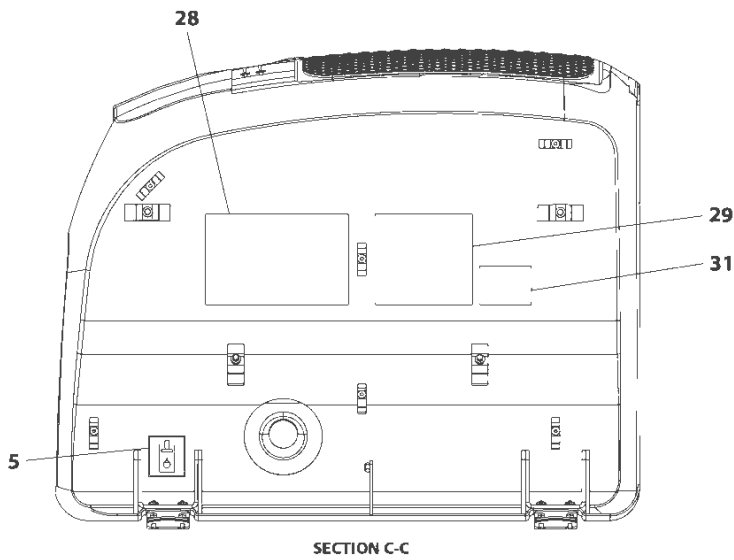
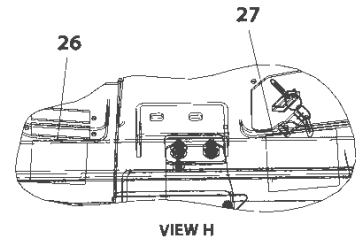
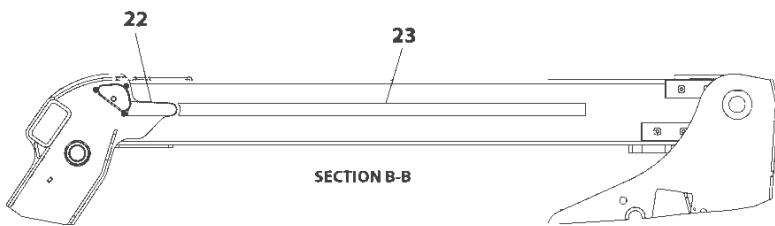
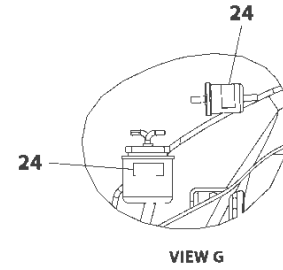
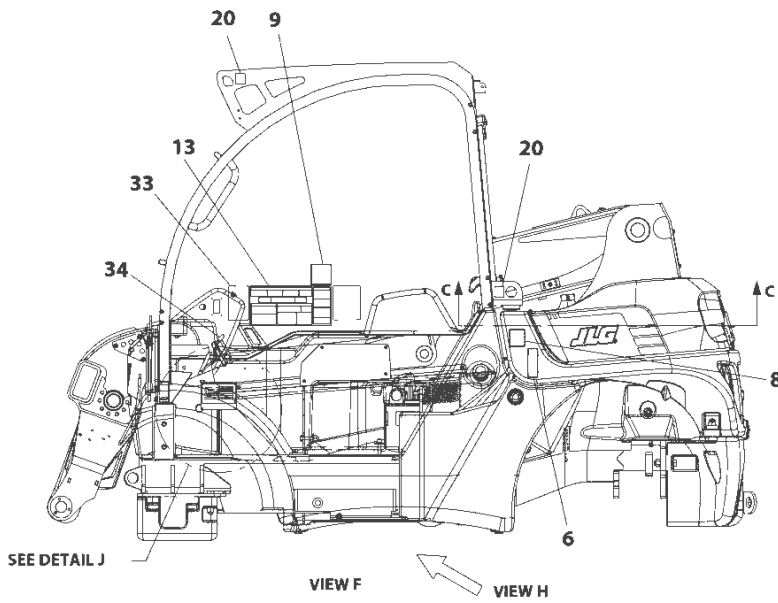
SECTION 11 - DECALS

FIGURE 11-4. DECALS INSTALLATION (ISO)



ART_1001272213_10F2

SECTION 11 - DECALS



ART_1001272213_20F2

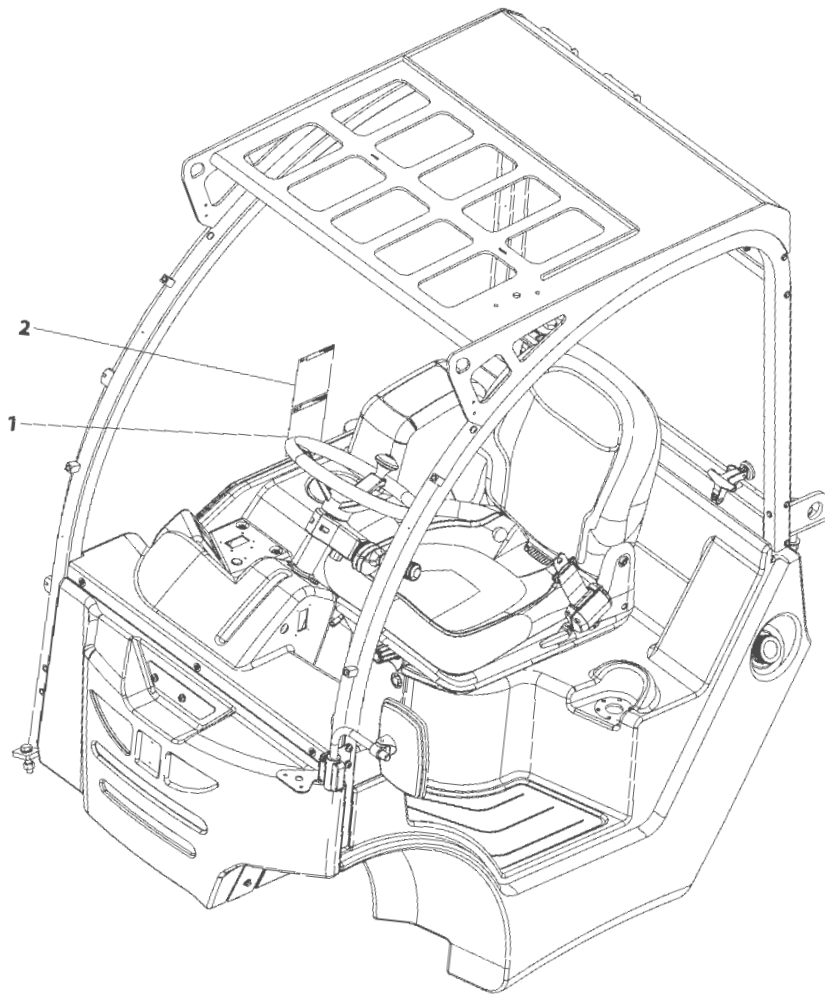
SECTION 11 - DECALS

FIGURE 11-4. DECALS INSTALLATION (ISO)

ITEM	PART NUMBER	QTY	DESCRIPTION	REV
	1001272213	Ref	DECALS INSTALLATION (ISO)	A
1	1001219211	1	Decal, Brake Fluid	
2	1706281	1	Decal, Warning Battery	
3	1706284	1	Decal, Electrocutation Hazard	
4	1706292	1	Decal, Pinch Point	
5	4100181	1	Decal, Hydraulic Oil Fill	
6	4108302	1	Decal, Hydraulic Oil Level	
7	8005870	2	Decal, Emergency Exit	
8	1001189017	1	Decal, Diesel Full Fill	
9	1001200101	1	Decal, Manual Location	
10	1001212292	1	Decal, No Lifting	
11	1001264418	4	Rivet	
12	1001272167	1	Decal, No Ether	
13	1001101895	1	Decal, Warning/Danger (Cab)	
14	1001139942	1	Decal, Hot Fluid Warning	
15	1001272170	1	Decal, Falling Personnel	
16	1001272171	1	Decal, Platform Personnel	
17	1001272172	1	Decal, Do Not Travel	
18	1001272173	1	Decal, Hot Exhaust Warning	
19	1001272174	1	Decal, Fan Warning	
20	1001268712	4	Decal, Lift Point	
21	1001268713	4	Decal, Tie Down	
22	1001263410	1	Decal, Boom Letter A	
23	1001263411	1	Decal, Boom Extend Letters	
24	1001263412	3	Decal, Neutral Brand Small	
25	1001263413	3	Decal, Neutral Brand Large	
26	1001263396	1	Decal, Fuse Box Cab	
27	1001263397	1	Decal, Fuse Box	
28	1001263398	1	Decal, Grease Points	
29	1001263399	1	Decal, Maintenance Hours	
30	1001260076	1	Decal, JLG AUSA	
31	1001263402	1	Decal, Tire Pressure	
32	1001263403	1	Decal, Cab Structure	
33	1001263404	1	Decal, Joystick	
34	1001264619	1	Ring, Key	

SECTION 11 - DECALS

FIGURE 11-5. LOADCHARTS (ANSI)



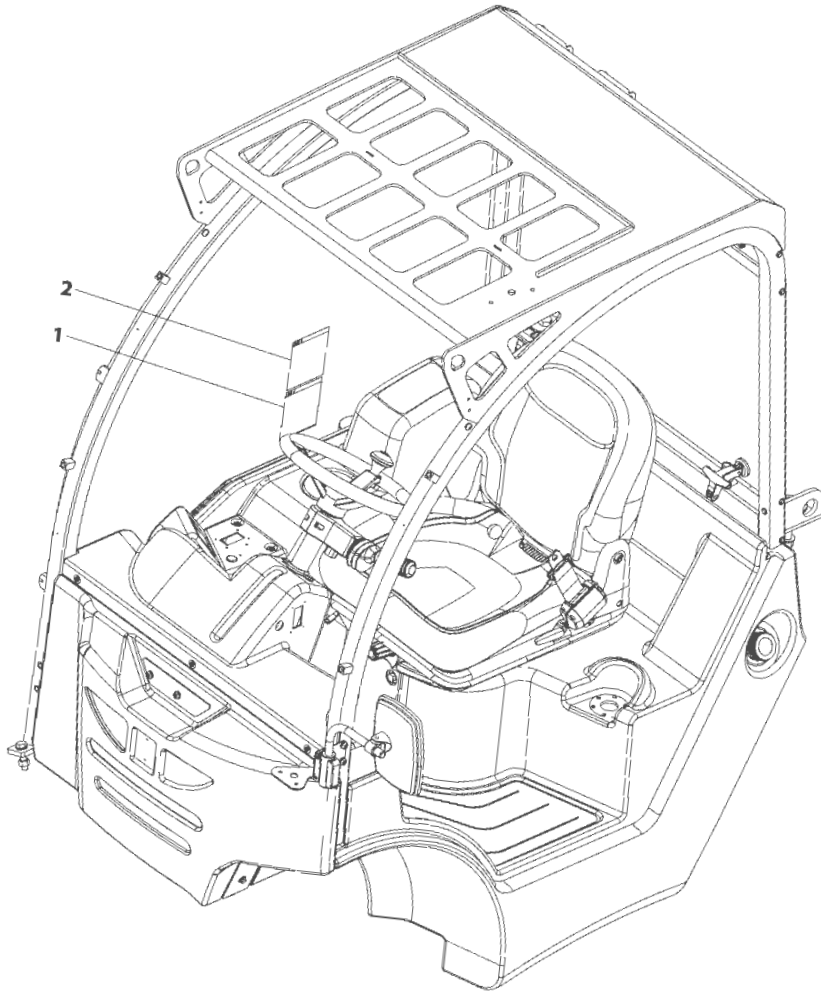
ART_1001263385

FIGURE 11-5. LOADCHARTS (ANSI)

ITEM	PART NUMBER	QTY	DESCRIPTION	REV
	1001263385	Ref	LOADCHART (ANSI)	B
1	1001263414	1	Load, STD Carriage	
2	1001264715	1	Load, Bucket	

SECTION 11 - DECALS

FIGURE 11-6. UNIVERSAL LOADCHARTS (ANSI)



ART_1001263777

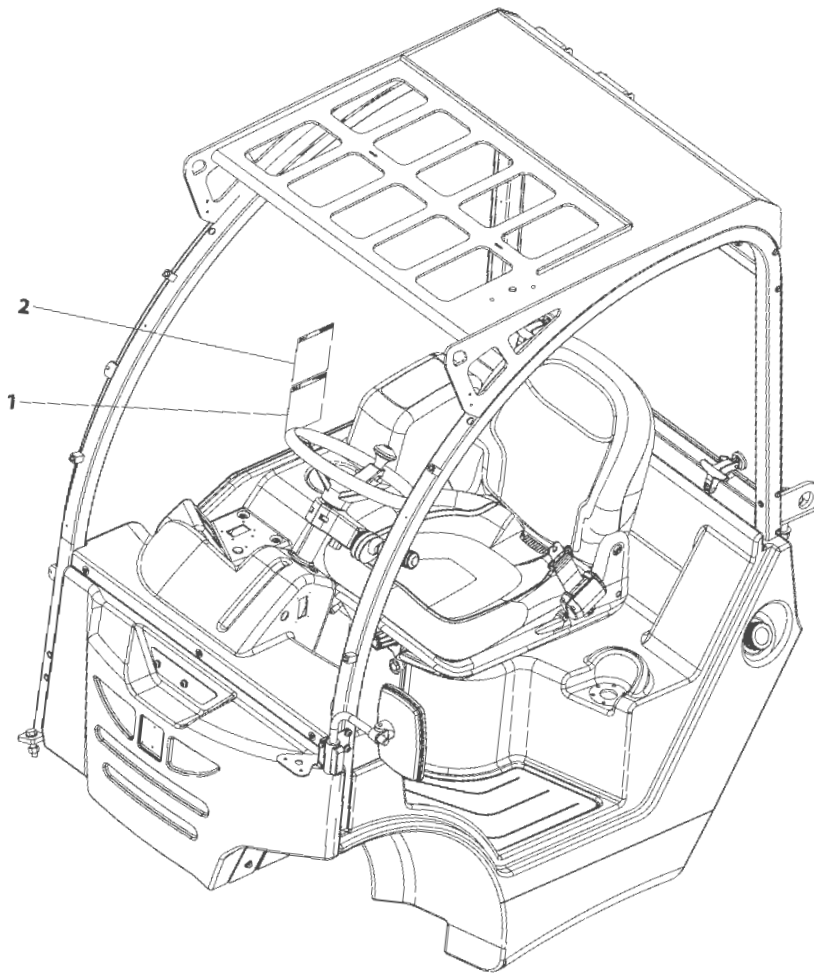
SECTION 11 - DECALS

FIGURE 11-6. UNIVERSAL LOADCHARTS (ANSI)

ITEM	PART NUMBER	QTY	DESCRIPTION	REV
	1001263777	Ref	Universal Loadcharts (ANSI)	B
1	1001264714	1	Load, STD Carriage	
2	1001264716	1	Load, Bucket	

SECTION 11 - DECALS

FIGURE 11-7. LOADCHARTS METRIC



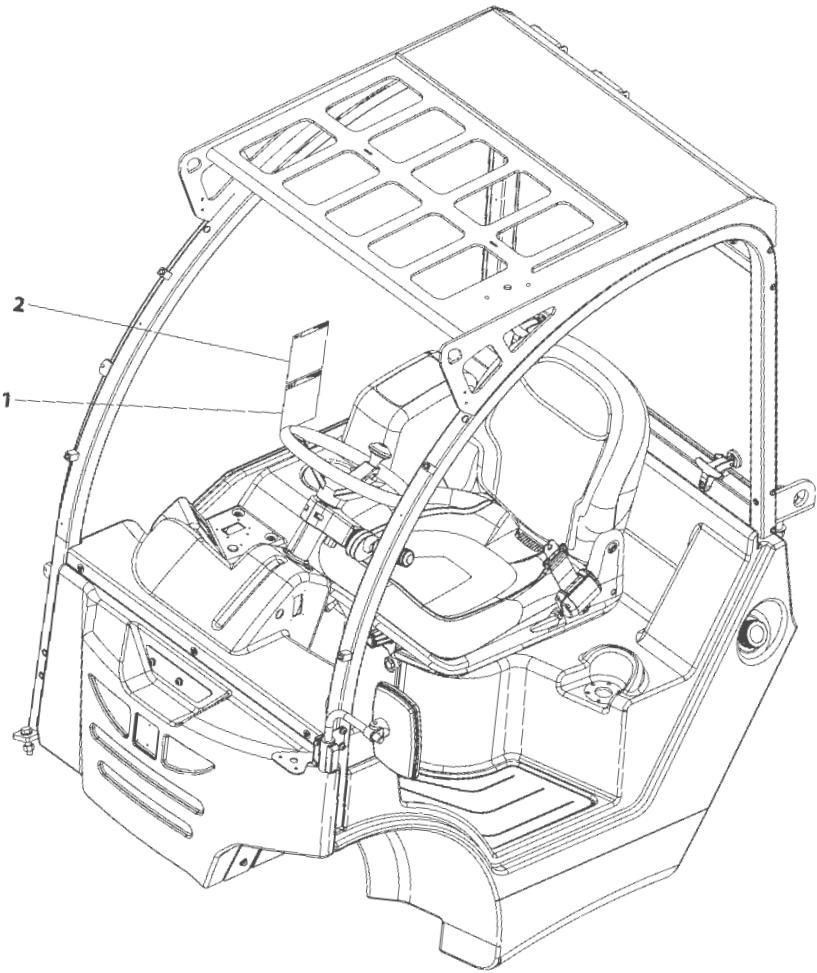
ART_1001263386

FIGURE 11-7. LOADCHARTS METRIC

ITEM	PART NUMBER	QTY	DESCRIPTION	REV
	1001263386	Ref	Loadcharts Metric	A
1	1001264717	1	Load, STD Carriage JLG Metric	
2	1001264719	1	Load, Bucket JLG Metric	

SECTION 11 - DECALS

FIGURE 11-8. UNIVERSAL LOADCHARTS METRIC



ART_1001263778

FIGURE 11-8. UNIVERSAL LOADCHARTS METRIC

ITEM	PART NUMBER	QTY	DESCRIPTION	REV
	1001263778	Ref	Universal Loadcharts Metric	A
1	1001264718	1	Load, STD Carriage Universal Metric	
2	1001264720	1	Load, Bucket Universal Metric	

SECTION 12 - RECOMMENDED SERVICE PARTS STOCK

SECTION 12 - RECOMMENDED SERVICE PARTS STOCK

SECTION 12 - RECOMMENDED SERVICE PARTS STOCK

FIGURE 12-1. RECOMMENDED SPARE PARTS

ITEM	PART NUMBER	QTY	DESCRIPTION	REV
		Ref	Note: The following list will service one machine (built to current production per date on the front cover) with emergency repair parts which can be installed in the field. Parts from the list should be replaced when inventory is depleted to keep service parts stock supplied. For further information, contact your JLG dealer or the JLG Industries Parts Department.	
	70031357	1	Coil (Drive Pump)	
	1001262976	1	Control, Joystick (Cab)	
		Ref	Engine - Kubota	
	7020942	12	Filter, Oil	
	1001262409	12	Filter, Fuel	
	1001262424	12	Filter, Fuel (In-Line)	
	70030108	12	Filter, Air Cleaner	
	1001264490	12	Filter, Heater	
	70030136	12	Filter Element Hydraulic Oil	
	1001264428	2	Fuse 50Amp	
	1001264424	2	Fuse 60Amp	
	1001264425	2	Fuse 200Amp	
	70030741	1	Key, Door	
	8035807	1	Key, Ignition (set of 2)	
	1001264392	1	Relay (Encloded Cab & Cab Electrical	
	1001264464	1	Relay (Main Harness & Cab Electrical)	
	1001264376	1	Relay (Cab Electrical)	
	1001264369	1	Sensor, LSI	
	1001264370	1	Sensor, Proximity (Lift Cylinder)	
	1001262282	1	Sensor (Air Cleaner)	
	1001264483	1	Switch, Heater (Cab)	
	1001264507	1	Switch, Wiper (Cab)	
	1001262681	1	Switch, Pressure (Brake)	
	1001262684	1	Switch, Pressure (Brake)	
	1001262674	1	Switch, Horn Button (Cab)	
	1001264404	1	Switch, Lever (Cab)	
	1001264378	1	Switch< LSI Override (Cab)	
	1001264382	1	Switch, Emergency Stop (Cab)	
	1001264400	1	Switch, Parking Brake (Cab)	
	1001264403	1	Switch, Ignition (Cab)	
	1001264405	1	Switch, Acoustic Warning (Cab)	
	1001264406	1	Switch, Beacon (Cab)	
	1001264409	1	Switch, Horn (Cab)	
	1001262604	1	Switch, Worklights (Cab)	

SECTION 13 - SPECIAL OPTIONS/ACCESSORIES/KITS

SECTION 13 - SPECIAL OPTIONS/ACCESSORIES/KITS

SECTION 13 - SPECIAL OPTIONS/ACCESSORIES/KITS

FIGURE 13-1. SPECIAL OPTIONS/ACCESSORIES/KITS

ITEM	PART NUMBER	QTY	DESCRIPTION	REV
		Ref	Note: This list is to accommodate machines ordered with special equipment. Options may not be applicable to all models. For more specific parts information contact JLG Parts Department.	
		Ref	SPECIAL OPTIONS/ACCESSORIES/KITS	
	1001265341	Ref	Decal Kit	
	1001264363	Ref	Engine Block Heater Installation	
	1001265339	Ref	Filter Kit - 400 HR	
	1001265340	Ref	Filter Kit - 1000 HR	
		Ref	Tools:	
	7002821	1	Crimper (For Wire to Pin/Socket Connections)	
	7002823	1	Extractor (For Removal of Pin/Socket from Connectors)	
	8896941	1	Wire Stripper	
	7004275	1	Seal Tool 1" (For Cylinders)	
	7004276	1	Seal Tool 1 1/2" (For Cylinders)	
	7002826	1	Seal Tool 2" (For Cylinders)	

SECTION 13 - SPECIAL OPTIONS/ACCESSORIES/KITS

PART NUMBER INDEX

SECTION 13 - SPECIAL OPTIONS/ACCESSORIES/KITS

0100035.17, 47, 119, 187	1001176293 63	1001261575 23	1001262280 57, 59
0700510 159	1001189017 196, 202	1001261576 23	1001262281 57
0700610.65, 69, 115, 175	1001200101 196, 202	1001261577 23	1001262282 63, 214
0700612 69, 171	1001212292 196, 202	1001261671 21, 27	1001262283 63
0700614 135	1001213010 69	1001261672 27	1001262284 63
0700615.69, 99, 101, 127	1001215023 63	1001261674 27	1001262285 65
0700617 23, 161	1001215024 63, 115	1001261675 27	1001262286 57
0700618 127	1001219211 202	1001261676 27	1001262287 57
0700814 13, 29, 31, 61, 63, 69	1001223453 196	1001261677 27	1001262288 57
0700818 65	1001226328 183	1001261678 27	1001262289 61
0700820 151	1001227066 183	1001261679 151	1001262292 57
0700821 129, 135	1001231801 196	1001261681 151	1001262298 61
0700822 151	1001260076 196, 202	1001261682 151	1001262340 73
0700827 75	1001260291 193	1001261683 25	1001262341 73, 77
0700828 75	1001260292 193	1001262024 49, 51	1001262342 73, 83
0701015 57, 67, 131	1001260293 193	1001262031 25	1001262343 73, 75
0701026 119, 151	1001260294 193	1001262033 25	1001262347 77, 79
0701030 47	1001260295 193	1001262034 25	1001262348 83, 85
0701031 47	1001260688 193	1001262036 25	1001262358 77, 83
0701227 43, 45	1001260776 196	1001262037 139	1001262359 77
0701229 159	1001260779 196	1001262041 25, 151	1001262360 79, 121
0701617 11, 17	1001260780 196	1001262075 151	1001262361 79, 81
0701618 77	1001260874 193	1001262076 151	1001262362 79, 81
0701622 11	1001260879 196	1001262077 151	1001262363 79
0701628 103	1001260880 196	1001262078 151	1001262364 79
0711220 121	1001261150 21	1001262079 151	1001262365 79
0760505 29	1001261152 21, 23	1001262080 151	1001262366 79
0760508 13, 99, 101, 127, 167, 181	1001261154 21, 25	1001262099 27	1001262367 79
0760605 65, 167	1001261155 23	1001262107 49	1001262368 79
0760608..13, 57, 65, 103, 115, 189	1001261156 25	1001262108 51	1001262369 79
0760808 35	1001261158 43	1001262110 47	1001262370 79
0760810 13, 69, 135, 139, 161, 169	1001261159 43	1001262169 47	1001262371 79
0760812..13, 61, 65, 103, 115, 127, 129, 155, 161, 169	1001261258 151	1001262170 47	1001262372 79
0761010 85, 109, 159	1001261259 29	1001262209 55	1001262373 79
0761012 67, 79	1001261260 31	1001262210 55, 67	1001262374 83
0761214 25	1001261261 29	1001262211 55, 57	1001262375 83
0761215 85, 121	1001261262 31	1001262212 55, 61	1001262376 85
0761218 103	1001261531 29, 31	1001262213 55, 63	1001262377 85
0761228 21	1001261532 29, 31	1001262214 55, 65	1001262379 85
0761415 85	1001261537 29	1001262215 55, 69	1001262380 85
0770816 189	1001261539 29	1001262249 57	1001262381 85
1001002454 69, 167, 175, 189	1001261540 43, 45	1001262250 67	1001262382 85
1001008559 183, 185	1001261544 43, 45	1001262251 67	1001262383 85
1001096653 65	1001261545 29	1001262252 67	1001262384 85
1001097522 69	1001261547 ... 23, 25, 29, 31, 79, 85, 151	1001262253 59, 65	1001262385 85
1001101895 202	1001261548 21	1001262254 63	1001262386 85
1001116208 183, 185	1001261549 21	1001262255 65	1001262388 85
1001116692 123, 177, 178	1001261550 23, 25	1001262256 65	1001262389 85
1001116693 177, 178	1001261551 . 23, 25, 129, 189	1001262257 61	1001262390 85
1001116716 177	1001261552 23	1001262258 61	1001262391 85
1001116986 178	1001261553 23	1001262259 61	1001262392 75
1001116994 177	1001261554 23	1001262264 65	1001262393 75
1001120989 183, 185	1001261555 23	1001262265 65	1001262394 75
1001125387 196	1001261555 23	1001262266 59, 65	1001262395 75
1001139578 196	1001261556 23	1001262267 65	1001262396 75
1001139942 202	1001261556 23	1001262268 65	1001262397 75
1001149581 159	1001261560 23	1001262269 61	1001262403 17
1001162180 65	1001261562 23	1001262270 63	1001262405 119
	1001261563 27	1001262271 65	1001262406 187
	1001261564 25, 103	1001262272 67	1001262408 69
	1001261565 25	1001262273 63	1001262409... 59, 69, 214
	1001261566 151	1001262274 67	1001262410 69
	1001261567 .. 23, 25, 103	1001262275 67	1001262411 69
	1001261571 23	1001262276 65	1001262412 69
	1001261573 23	1001262278 61	1001262414 69
	1001261574 23	1001262279 67	1001262415 69

SECTION 13 - SPECIAL OPTIONS/ACCESSORIES/KITS

1001262416..... 69	1001262666..... 15	1001262990..... 159	1001263211..... 148
1001262417..... 69	1001262668..... 131	1001263044..... 13	1001263212..... 148
1001262418..... 69	1001262669..... 131	1001263051.99, 101, 103	1001263213..... 148
1001262419..... 69	1001262670..... 131	1001263052..... 99, 105	1001263214..... 148
1001262420..... 69	1001262671..... 131	1001263053.99, 101, 109	1001263215..... 145
1001262421..... 69	1001262672..... 131	1001263054..... 99, 111	1001263216..... 145
1001262422..... 69	1001262673..... 131	1001263098..... 147	1001263217..... 145
1001262423..... 69	1001262674..... 131, 214	1001263099..... 147	1001263218..... 145
1001262424..... 69, 214	1001262675..... 127	1001263101..... 147	1001263219..... 145
1001262433..... 69	1001262676..... 127	1001263102..... 145, 147	1001263220..... 145
1001262435..... 75, 85	1001262677..... 127	1001263105..... 147	1001263221..... 145
1001262437..... 75	1001262678..... 127	1001263110..... 147	1001263222..... 145
1001262439..... 75	1001262679..... 127	1001263113..... 147	1001263223..... 137
1001262440..... 79, 81	1001262680..... 127	1001263114..... 33, 147	1001263224..... 137
1001262441..... 79	1001262681..... 127, 214	1001263116..... 147	1001263225..... 137
1001262442..... 79	1001262682..... 127	1001263117..... 147	1001263226..... 137
1001262443..... 79, 81	1001262683..... 127	1001263120..... 147	1001263227..... 143
1001262444..... 79	1001262684..... 127, 214	1001263126..... 145, 147	1001263228..... 143
1001262445..... 79	1001262685..... 127	1001263136..... 147	1001263229..... 143
1001262446..... 79	1001262686..... 127	1001263137..... 145, 147	1001263230..... 143
1001262447..... 79	1001262687..... 127	1001263138..... 145	1001263231..... 143
1001262448..... 79	1001262688..... 127	1001263139..... 115, 137, 145	1001263232..... 143
1001262449..... 79, 81	1001262759..... 159	1001263140..... 145	1001263233..... 143
1001262450..... 79	1001262760.99, 101, 121	1001263141..... 145	1001263234..... 143
1001262451..... 79	1001262761..... 129, 153	1001263142..... 145	1001263235..... 143
1001262452..... 79	1001262762..... 153, 155	1001263143..... 145	1001263236..... 143
1001262453..... 79	1001262763..... 153, 161	1001263144..... 145	1001263237..... 143
1001262459..... 75	1001262764..... 153, 157	1001263145..... 145	1001263238..... 143
1001262469..... 69	1001262765..... 135, 153	1001263146..... 145	1001263239..... 143
1001262470..... 69	1001262766..... 135, 147	1001263151..... 145	1001263240..... 143
1001262471..... 69, 167	1001262767..... 135, 145	1001263154..... 145	1001263241..... 143
1001262485..... 87	1001262769..... 135, 137	1001263158..... 137	1001263242..... 143
1001262486..... 89	1001262770..... 135, 143	1001263161..... 137	1001263243..... 143
1001262487..... 93	1001262794..... 159	1001263164..... 137	1001263266..... 115, 187
1001262488..... 95	1001262949..... 157	1001263167..... 143	1001263323..... 85
1001262489..... 91	1001262950..... 157	1001263169..... 143	1001263348..... 199
1001262499..... 69	1001262951..... 157	1001263170..... 137, 143	1001263377..... 123
1001262562.99, 101, 131	1001262952..... 161	1001263181..... 143	1001263381..... 183
1001262563.99, 101, 127	1001262953..... 161	1001263182..... 135	1001263382..... 139
1001262564..... 101	1001262954..... 161	1001263183..... 135	1001263383..... 33
1001262565..... 99	1001262955..... 161	1001263184..... 135	1001263385..... 205
1001262566..... 153	1001262956..... 161	1001263185..... 135	1001263386..... 209
1001262567..... 165	1001262957..... 161	1001263186..... 139	1001263388..... 35
1001262568..... 15	1001262958..... 161	1001263187..... 139	1001263389..... 45
1001262570..... 11	1001262961.33, 123, 135, 167	1001263188.13, 115, 135	1001263392..... 39
1001262603..... 187	1001262964..... 155	1001263189..... 135	1001263394..... 41
1001262604..... 187, 214	1001262965..... 155	1001263190..... 135	1001263396..... 196, 202
1001262605..... 187	1001262966..... 135	1001263191..... 135	1001263397..... 196, 202
1001262606..... 187	1001262967..... 135	1001263192..... 147	1001263398..... 196, 202
1001262607.13, 175, 187	1001262968..... 129	1001263193..... 147	1001263399..... 196, 202
1001262610..... 87	1001262969..... 129	1001263194..... 147	1001263402..... 196, 202
1001262611..... 87	1001262972..... 129	1001263195..... 147	1001263403..... 196, 202
1001262612..... 87, 89, 91	1001262973..... 129	1001263196..... 147	1001263404..... 196, 202
1001262615..... 93, 95	1001262974..... 129	1001263197..... 147	1001263405..... 196
1001262616..... 93	1001262975..... 129	1001263198..... 147	1001263408..... 196
1001262617..... 93	1001262976..... 129, 214	1001263199..... 147	1001263409..... 196
1001262622..... 93, 95	1001262978..... 121, 159	1001263200..... 148	1001263410..... 196, 202
1001262623..... 93, 95	1001262981..... 11, 159	1001263201..... 148	1001263411..... 196, 202
1001262624..... 93, 95	1001262982..... 159	1001263202..... 148	1001263412..... 196, 202
1001262625..... 91	1001262983..... 159	1001263203..... 148	1001263413..... 196, 202
1001262626..... 91	1001262984..... 159	1001263204..... 148	1001263414..... 205
1001262635..... 17	1001262985..... 159	1001263205..... 148	1001263439..... 199
1001262637..... 119	1001262986..... 159	1001263206..... 148	1001263440..... 199
1001262638..... 119	1001262987..... 121, 159	1001263207..... 148	1001263441..... 199
1001262664.15, 99, 101, 173, 187	1001262988..... 155	1001263208..... 148	1001263464..... 199
1001262665..... 15	1001262989..... 159	1001263210..... 148	1001263466..... 199
			1001263467..... 199

SECTION 13 - SPECIAL OPTIONS/ACCESSORIES/KITS

1001263468.....199	1001264016.....103	1001264408.....177, 181	1001264508.....115
1001263469.....199	1001264017.....103, 175	1001264409.....181, 214	1001264509.....31
1001263471.....199	1001264018.....103	1001264416.....115, 171	1001264510.....115
1001263472.....199	1001264019.....103	1001264417.....171	1001264511.....31
1001263473.....199	1001264020.....103	1001264418.....196, 202	1001264512.....31
1001263475.....199	1001264021.....103, 169, 175	1001264420.....171	1001264513.....31
1001263481.....199	1001264022.....121	1001264421.....171	1001264514.....31
1001263571.....137	1001264023.....121	1001264422.....171	1001264515.....113
1001263572.....143	1001264080.....129	1001264423.....171	1001264516.....31
1001263574.....148	1001264081.....129	1001264424.....171, 214	1001264517.....115
1001263777.....207	1001264255.....165, 173	1001264425.....171, 214	1001264518.....115
1001263778.....211	1001264256.....165, 169	1001264426.....171	1001264520.....115
1001263782.....109	1001264257.....165, 189	1001264427.....171	1001264521.....115
1001263783.....103	1001264258.....165, 175	1001264428.....171, 214	1001264522.....115
1001263865.....11	1001264259.....165, 171	1001264429.....171	1001264523.....115, 167
1001263866.....11	1001264260.....165, 167	1001264432.....175	1001264524.....115
1001263867.....11	1001264262.....175, 181	1001264433.....175	1001264525.....141
1001263868.....11	1001264265.....173	1001264434.....13, 127	1001264526.....141
1001263869.....11	1001264266.....173	1001264438.....45	1001264527.....141
1001263870.....11	1001264267.....173	1001264451.....167	1001264528.....33
1001263871.....13	1001264268.....173	1001264452.....167	1001264529.....33
1001263872.....13	1001264270.....169	1001264453.....167	1001264530.....33
1001263876.....13	1001264271.....169	1001264454.....167	1001264531.....33
1001263877.....13	1001264272.....169	1001264455.....167	1001264532.....33
1001263878.....13	1001264273.....169	1001264456.....167	1001264533.....33
1001263879.....13	1001264300.....69	1001264457.....167	1001264535.....33
1001263880.....13	1001264305.....95	1001264458.....167	1001264537.....33
1001263881.....13	1001264306.....95	1001264459.....167	1001264538.....33
1001263882.....13	1001264339.....89	1001264460.....167	1001264539.....33
1001263883.....13	1001264340.....89	1001264462.....167	1001264619.....196, 202
1001263884.....13	1001264349.....31, 141	1001264463.....167	1001264673.....167
1001263885.....13	1001264350.....101, 107	1001264464.....167, 175, 214	1001264674.....167
1001263886.....13	1001264351.....101, 113	1001264465.....167	1001264675.....167
1001263887.....13, 105	1001264352.....101, 115	1001264466.....167	1001264676.....167
1001263888.....13	1001264363.....216	1001264476.....107	1001264677.....167
1001263889.....13	1001264368.....169	1001264477.....113	1001264708.....107
1001263891.....11	1001264369.....189, 214	1001264478.....113	1001264711.....116
1001263892.....11	1001264370.....189, 214	1001264479.....113	1001264714.....207
1001263893.....11	1001264371.....189	1001264480.....113	1001264715.....205
1001263894.....11	1001264372.....167, 189	1001264481.....113	1001264716.....207
1001263895.....13	1001264373.....175, 181	1001264482.....113	1001264717.....209
1001263896.....13	1001264376.....175, 214	1001264483.....115, 214	1001264718.....211
1001263897.....13	1001264377.....175	1001264484.....115	1001264719.....209
1001263943.....121	1001264378.....175, 214	1001264485.....115	1001264720.....211
1001263958.....65	1001264379.....175	1001264486.....115	1001264736.....167
1001263959.....65	1001264380.....175	1001264487.....115	1001265295.....123
1001263960.....65	1001264381.....175	1001264488.....115	1001265296.....123
1001263990.....99, 101	1001264382.....175, 214	1001264489.....115	1001265297.....123
1001263991.....99, 101	1001264386.....175	1001264490.....115, 214	1001265299.....123
1001263995.....99, 101	1001264387.....175	1001264491.....115	1001265300.....123
1001263996.....121	1001264388.....175	1001264492.....115	1001265301.....123
1001263997.....111, 113	1001264389.....175	1001264493.....115	1001265302.....123
1001263998.....111, 113	1001264391.....175	1001264494.....115	1001265303.....123
1001264002.....109	1001264392.....115, 175, 214	1001264495.....115	1001265304.....123
1001264003.....109	1001264393.....115, 175	1001264496.....115	1001265305.....123
1001264004.....105, 107	1001264394.....175	1001264497.....115	1001265306.....123
1001264005.....105	1001264398.....181	1001264498.....115	1001265339.....216
1001264006.....25, 105, 107	1001264400.....181, 214	1001264499.....115	1001265340.....216
1001264007.....105, 107	1001264401.....181	1001264500.....115	1001265341.....216
1001264008.....103, 105, 107	1001264402.....181	1001264501.....115	1001265397.....123
1001264009.....121	1001264403.....181, 214	1001264502.....115	1001266094.....35
1001264010.....103	1001264404.....131, 214	1001264503.....115	1001266095.....35
1001264011.....103	1001264405.....181, 214	1001264504.....115	1001266096.....35
1001264012.....103	1001264406.....181, 214	1001264505.....115	1001266097.....35
1001264013.....103	1001264407.....181	1001264506.....115	1001268712.....196, 202
1001264015.....103		1001264507.....115, 214	1001268713.....196, 202
			1001269182.....151

SECTION 13 - SPECIAL OPTIONS/ACCESSORIES/KITS

1001269743	193	2142717	145, 147	4100181.....	196, 202	70030094.....	151
1001272167	202	2142718	147	4108302.....	196, 202	70030095.....	151
1001272170	202	2142719	147	4460466.....	123, 177, 178	70030096.....	151
1001272171	202	2142744	147	4460532.....	177	70030108.....	63, 214
1001272172	202	2142747	145	4460884.....	123	70030136.....	155, 214
1001272173	202	2142748	145	4460894.....	123	70030137.....	155
1001272174	202	2142757	143, 147	4460908.....	177	70030741.....	113, 214
1001272213	202	2142805	147	4460915.....	177	70031292.....	113
1001272659	185	2143007	147	4811400.....	175	70031353.....	59
1001273012	185	2143403	137, 147	4811600.....	99, 101, 115, 159, 181	70031354.....	59
1001276607	185	2143404	143, 145	4811700.....	13, 27, 57, 65, 69, 115, 127, 171, 175, 187	70031355.....	65
1001277514	87, 89	2143405	145, 147	4811702 13, 69, 103, 105, 107, 127		70031356.....	75
1001277515	87, 89	2143406	145, 147	4811900.....	13, 25, 33, 61, 65, 69, 99, 101, 103, 109, 127, 129, 135, 155, 161, 173, 187	70031357.....	75, 214
1001277540	91	2143407	147	4811902.....	13, 35, 63, 103, 115, 129, 161, 175	70031358.....	75
1001277545	91	2143408	147	4812000.....	23, 47, 79, 81, 119	70031359.....	75
1001294810	85	2143511	143	4812100.....	103, 121	70031360.....	131
1001299058	85	2143521	147	4812102.....	121, 131, 159	70031361.....	129
114017	178	3290401	175	4812300.....	11, 17, 103	70031362.....	129
1320022	127	3290405	175	4812500.....	83	70031363.....	113
1321296	65, 167	3290501	13, 29	4831400.....	13, 175	70031364.....	123
1706281	202	3290505 13, 99, 101, 127, 167, 171, 175, 181		4831600.....	13	70031365.....	123
1706284	202	3290601	69, 167	4831700 13, 27, 103, 127, 167, 171, 175, 189		70031366.....	123
1706292	202	3290605	115	4831900.....	13, 25, 29, 31, 33, 35, 57, 61, 65, 99, 101, 103, 129, 135, 139, 155, 161, 167	70031367.....	123
1706296	196	3290606 .57, 69, 99, 101, 161, 171, 187		4832000.....	47, 57, 67, 79, 85, 109, 119, 131, 157, 159	70031368.....	123
1706299	196	3290801	57	4832100.....	25, 121, 151	70031369.....	123
1706300	196	3290805 ... 13, 63, 69, 75, 103, 109, 115, 127, 151, 161, 169, 171, 173, 175, 187		4832300.....	11, 17	70031370.....	75
1706302	196	3290806 61, 65, 127, 135, 169		5272011.....	85	70031379.....	159
1707078	196	3291001 23, 127, 129, 131		5272117.....	121	7004275	216
2140801	147	3291005 .47, 79, 81, 131, 151		70003062.....	59	7004276	216
2140811	147	3291201	85	70005741.....	59	7017901	59
2140825	147	3291205	43, 45, 67	70020193.....	178	7017943	59
2140827	147	3291207 21, 103, 121, 159		7002821.....	216	7017949	59
2141503	137	3450203	69, 127	7002823.....	216	7020942	59, 214
2141504	143	3450306	61	7002826.....	216	7023124	61
2141504	143	3450508	79, 83	70030093.....	25	7023139	59
2142102	141	4031908	25, 167			7023141	59
2142103	147	4031910	57			7023160	59
2142105	147	4032008	23, 25			7029526	178
2142203	147	4032010	57			7029642	177
2142204	143	4032010000.....	57			7029643	177
2142205	145, 147	4032020	151			7029658	178
2142206	145, 147					77363349.....	177
2142207	147					8005870	202
2142706	141					80334588.....	131
2142708	147					8035807	181, 214
2142709	141					80484087.....	177
2142710	147					80604021.....	177
2142711	143, 145					8305919.....	13, 127, 175
2142712	33, 143, 145					8896941.....	216
2142713	143, 145					91504088.....	178
2142715	33, 143, 147					91504107.....	178
2142716	145, 147						



**Corporate Office
JLG Industries, Inc.
1 JLG Drive
McConnellsburg, PA 17233-9533 USA
☎ (717) 485-5161 (Corporate)
☎ (877) 554-5438 (Customer Support)
📠 (717) 485-6417**

**Visit our website for JLG Worldwide Locations.
www.jlg.com**



OSHKOSH™