

SKYTRAK[®]

Illustrated Parts Manual

Model
12054

PVC
2105

P/N
31211626
May 1, 2021 - Rev A

JLG[®]
An Oshkosh Corporation Company

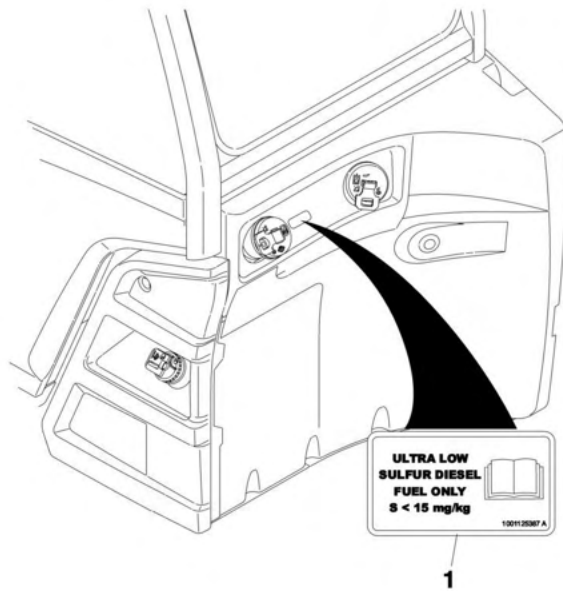
EFFECTIVITY PAGE

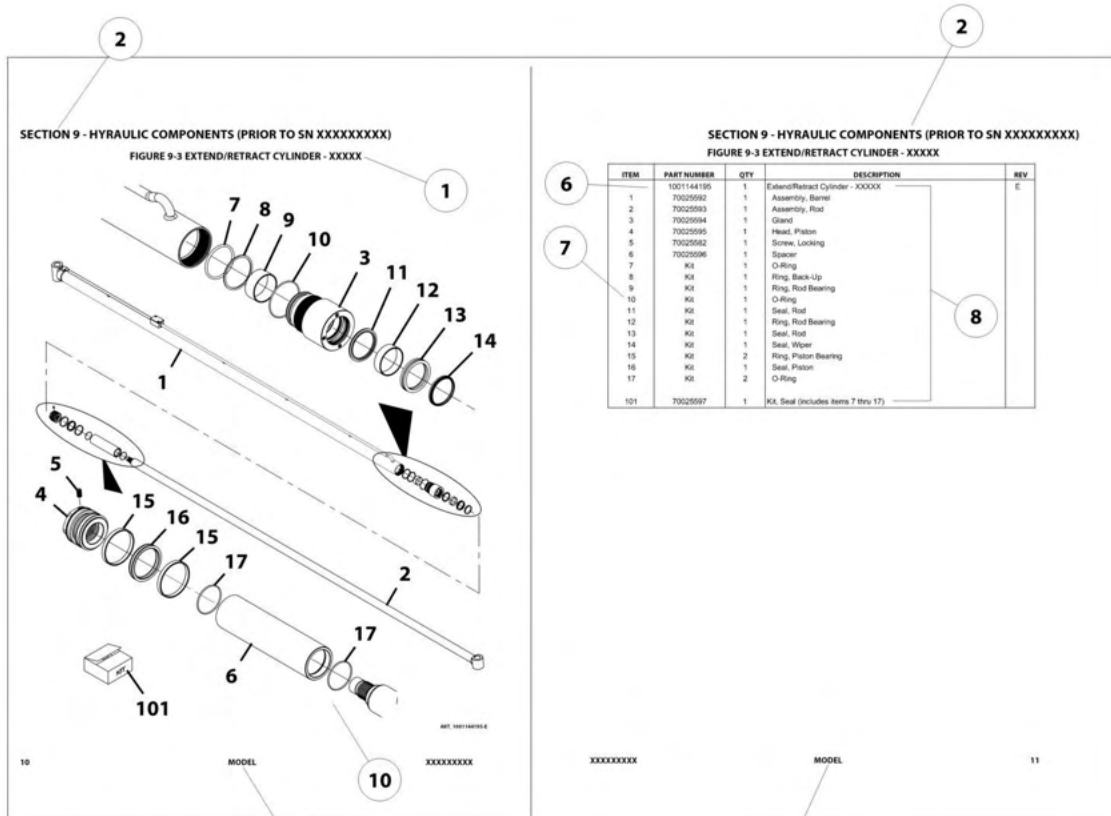
May 1, 2021 - A - Original Issue of Manual (Edited to B/M 1001239973 Revision O)

Machine Configuration

Two configurations of each machine are included in this manual. Determine if machine is equipped with Ultra Sulfur Fuel Decal (1) as indicated below.

- If equipped with the Ultra Low Sulfur decal, all specific references to this machine configuration will be referred to as Ultra Low Sulfur (ULS) from this point forward.
- If not equipped with the Ultra Low Sulfur decal, all specific references to this machine configuration will be referred to as Low Sulfur (LS) from this point forward.





General Information

Machines are identified by model and in some cases a combination of model, serial number (S/N) or regional standard (e.g. ANSI, CE, CSA, AUS). Components may also be identified by S/N or manufacturer. Common components that may be identified by these characteristics are attachments, engine, transmission and hydraulic components.

Product information in this manual is organized under section titles. Frame, Engine and Electrical are a few examples. Each section is organized by Figure and page number. The information within the Figure is then organized by item number, part number, description and corresponding illustration(s).

A table of contents (TOC) is found toward the beginning of the manual. Figure number, description and page number are provided for quick reference to the page containing the related information.

The Recommended Spare Parts, located near the end of the manual, references most frequently used maintenance parts.

A numerical index listing all part numbers and the corresponding page number(s) appears at the back of the manual.

In some instances it is necessary to display non-serviced parts, assemblies or installations. In the case of assemblies and installations there will be a Ref in the QTY column and a note after the item description stating what is available for service within. In the case of parts that are not available for service within assemblies or components there will be a NSS (Not Sold Separately) listed in the part number column of the manual.

Numbers shown in the Item column correspond to numbers used in the associated illustration(s). Item numbers which are missing from sequence and are not shown in the illustration(s) are not used on that page.

An indented part description is included in the item under which it is indented.

9. ABBREVIATIONS AND SYMBOLS

AC.....Alternating Current
A/C.....Air Conditioning
ADE.....Advanced Design Electronics
AG.....Agriculture
AMP.....Amperage
ANSI.....American National Standards Institute
AR.....As Required
ASSY.....Assembly
AUS.....Australia
AUX.....Auxiliary
AWG.....American Wire Gauge
CAC.....Charge Air Cooler
CE.....European Conformity
CM.....Centimeter
CONST.....Construction
CSA.....Canadian Standards Association
DEF.....Diesel Exhaust Fluid
DIA.....Diameter
DC.....Direct Current
DTZ.....Decentralized Transmission Zeros
ECU.....Electronic Control Unit
EMS.....Emergency Stop
FNR.....Forward Neutral Reverse
FT.....Foot
GA.....Gauge
GR.....Grade
HBP.....High Boom Pivot
HHP.....High Horse Power
HOC.....Hydraulic Oil Cooler
HVAC.....Heating, Ventilating, and Air Conditioning
ID.....Inside Diameter
IN.....Inch
ISO.....International Organization for Standards
ITSDF.....Industrial Truck Standards Development Foundation
JIC.....Joint Industry Council
KG.....Kilogram
KW.....Kilowatt
L.....Liter

LB.....Pound
LBP.....Low Boom Pivot
LCD.....Liquid Crystal Display
LED.....Light Emitting Diode
LH.....Left Hand
LHD.....Left Hand Drive
LHP.....Low Horse Power
LMIS.....Load Management Indicator System
LS.....Low Sulfur
LSI.....Load Stability Indicator
LSS.....Load Sensing System
M³.....Cubic Meter
MA.....Milliamp
M(m).....Metric/Meter
MM.....Millimeter
N.....Newton
NACD.....North America Construction Division
NLA.....No Longer Available
NSS.....Not Sold Separately
OD.....Outside Diameter
ORB.....O-Ring Boss
ORFS.....O-Ring Face Seal
OZ.....Ounce
PR.....Ply Rating
QT.....Quart
QTY.....Quantity
REF.....Reference
REV.....Revision
RH.....Right Hand
RHD.....Right Hand Drive
RHOC.....Remote Hydraulic Oil Cooler
RUS.....Russia
SAE.....Society of Automotive Engineers
SAHR.....Spring Applied Hydraulically Released
SN.....Serial Number
SPD.....Speed
TLU.....Torque Lock Up
UGM.....Universal Ground Module

10. ILLUSTRATION REFERENCE LETTERS

When necessary, illustrations may contain reference letters that are intended to track information from one point to another in the illustration such as harnesses and hoses or any other information that has been separated in the illustration

Note: Due to continuous product improvements, JLG Industries, Inc. reserves the right to make specification changes without prior notification. Contact JLG Industries, Inc. for updated information.

TABLE OF CONTENTS

SECTION 1 - FRAME AND ATTACHING PARTS.....	13
FIGURE 1-1. FRAME COMPONENTS INSTALLATION	14
FIGURE 1-2. FRAME COVERS INSTALLATION.....	16
FIGURE 1-3. FRAME COVERS INSTALLATION W/AIR SHUT OFF VALVE	18
FIGURE 1-4. DUST SHIELD INSTALLATION.....	20
FIGURE 1-5. OUTRIGGER INSTALLATION.....	22
FIGURE 1-6. OUTRIGGER SUB-ASSEMBLY INSTALLATION	24
FIGURE 1-7. OUTRIGGER MOUNTING INSTALLATION	26
SECTION 2 - BOOM.....	29
FIGURE 2-1. BOOM INSTALLATION.....	30
FIGURE 2-2. BOOM ASSEMBLY.....	32
FIGURE 2-3. FOURTH BOOM SECTION ASSEMBLY	36
FIGURE 2-4. THIRD BOOM SECTION ASSEMBLY	38
FIGURE 2-5. SECOND BOOM SECTION ASSEMBLY.....	40
FIGURE 2-6. FIRST BOOM SECTION ASSEMBLY.....	42
FIGURE 2-7. EXTEND CHAIN ASSEMBLY.....	44
FIGURE 2-8. RETRACT CHAIN ASSEMBLY.....	46
FIGURE 2-9. EXTEND CHAIN ASSEMBLY	48
FIGURE 2-10. RETRACT CHAIN AND CLEVIS ASSEMBLY	50
FIGURE 2-11. HOSE AND CARRIER ASSEMBLY	52
FIGURE 2-12. HOSE PULLY ASSEMBLY	54
FIGURE 2-13. MECHANICAL BOOM ANGLE INDICATOR.....	56
FIGURE 2-14. COUPLER ASSEMBLY	58
SECTION 3 - ATTACHMENTS	61
FIGURE 3-1. BASKET, PERSONNEL (1.2MX2.4M) (DOMESTIC).....	62
FIGURE 3-2. BASKET, PERSONNEL (1.2MX2.4M) (ISO).....	64
FIGURE 3-3. BASKET, PERSONNEL (1.2MX2.4M) (FRENCH LANGUAGE)	66
FIGURE 3-4. BASKET ASSEMBLY.....	68
FIGURE 3-5. BOOM - ADJUSTABLE.....	70
FIGURE 3-6. BOOM - ADJUSTABLE (FORK MOUNTED)	72
FIGURE 3-7. BOOM (3FT WITH WINCH).....	74
FIGURE 3-8. BOOM (8FT).....	76
FIGURE 3-9. BOOM (15 FTT).....	80
FIGURE 3-10. BOOM (0.9 TON - 3.7M).....	82
FIGURE 3-11. BOOM (0.9 TON - 3.7M WITH WINCH).....	84
FIGURE 3-12. BUCKET (GRAPPLE MULTI-PURPOSE).....	86
FIGURE 3-13. BUCKET (60 INCH) FORK MOUNTED)	88
FIGURE 3-14. BUCKET (72 INCH)	90
FIGURE 3-15. BUCKET (96 INCH)	92
FIGURE 3-16. BUCKET (102 INCH)	94
FIGURE 3-17. SIDE SHIFT CARRIAGE ASSEMBLY (48 INCH 12K).....	96
FIGURE 3-18. CARRIAGE ASSEMBLY (50 INCH 12K).....	98
FIGURE 3-19. CARRIAGE (50 INCH 12K) (DUAL FORK).....	100
FIGURE 3-20. CARRIAGE ASSEMBLY (50 INCH 12K) (SIDE TILT).....	102
FIGURE 3-21. CARRIAGE ASSEMBLY (60 INCH 12K).....	104
FIGURE 3-22. CARRIAGE ASSEMBLY (60 INCH 12K) (SIDE TILT).....	106
FIGURE 3-23. CARRIAGE ASSEMBLY (72 INCH 12K).....	108
FIGURE 3-24. CARRIAGE ASSEMBLY (72 INCH 12K) (SIDE TILT).....	110
FIGURE 3-25. CARRIAGE ASSEMBLY (72 INCH 10K) (90 DEGREE SWING)	112
FIGURE 3-26. FORK - BLOCKING (50X50X1220MM)	114
FIGURE 3-27. FORK - LUMBER (50X180X1540MM)	116
FIGURE 3-28. FORK - LUMBER (60X150X1524MM)	118
FIGURE 3-29. FORK - LUMBER (2.00X6X72)	120
FIGURE 3-30. FORK - PALLET (2.36X5X48)	122
FIGURE 3-31. FORK - PALLET (2.36X5X72)	124
FIGURE 3-32. FORK - PALLET (60X125X1524MM).....	126
FIGURE 3-33. FORK CLAMPS INSTALLATION.....	128
FIGURE 3-34. FORK EXTENSIONS (62X163X2286MM)	130
FIGURE 3-35. FORK PIN LOCK INSTALLATION	132
FIGURE 3-36. HOOK - CRANE.....	134
FIGURE 3-37. HOOK - FRAME MOUNTED (4T)	136

TABLE OF CONTENTS

FIGURE 3-38. PIPE GRAPPLE	138
FIGURE 3-39. SWEEPER ASSEMBLY	142
FIGURE 3-40. SWEEPER - HOPPER	144
FIGURE 3-41. SWEEPER - BODY	146
FIGURE 3-42. SWEEPER - MOTOR	148
FIGURE 3-43. SWEEPER - IDLER	150
FIGURE 3-44. SWEEPER - CORE	152
FIGURE 3-45. SWEEPER - HYDRAULIC LINES	154
FIGURE 3-46. TRASH HOPPER (FORK MOUNTED)	156
SECTION 4 - ENGINE AND ATTACHING PARTS	159
FIGURE 4-1. ENGINE PACKAGE INSTALLATION (74HP ULS)	160
FIGURE 4-2. ENGINE PACKAGE INSTALLATION (130HP ULS)	162
FIGURE 4-3. ENGINE PACKAGE INSTALLATION (130HP LS)	164
FIGURE 4-4. ENGINE INSTALLATION (74HP ULS)	166
FIGURE 4-5. ENGINE INSTALLATION (130HP ULS)	168
FIGURE 4-6. ENGINE INSTALLATION (130HP LS)	170
FIGURE 4-7. ENGINE COMPONENTS (74HP ULS)	172
FIGURE 4-8. ENGINE COMPONENTS (130HP ULS)	174
FIGURE 4-9. ENGINE COMPONENTS (130HP LS)	176
FIGURE 4-10. FAN INSTALLATION (74HP)	178
FIGURE 4-11. FAN INSTALLATION (130HP)	180
FIGURE 4-12. AIR CLEANER ASSEMBLY (74HP ULS)	182
FIGURE 4-13. AIR CLEANER ASSEMBLY (130HP ULS)	184
FIGURE 4-14. AIR CLEANER ASSEMBLY (130HP LS)	186
FIGURE 4-15. AIR CLEANER ASSEMBLY (130HP LS)	188
FIGURE 4-16. COOLING INSTALLATION (74HP)	190
FIGURE 4-17. COOLING INSTALLATION (130HP)	192
FIGURE 4-18. RADIATOR ASSEMBLY (74HP)	194
FIGURE 4-19. RADIATOR ASSEMBLY (130HP)	196
FIGURE 4-20. FUEL PLUMBING INSTALLATION (ULS)	198
FIGURE 4-21. FUEL PLUMBING INSTALLATION (LS)	200
FIGURE 4-22. PLUMBING COOLING INSTALLATION (ULS)	202
FIGURE 4-23. PLUMBING COOLING INSTALLATION (LS)	204
FIGURE 4-24. AFTERTREATMENT INSTALLATION (ULS)	206
FIGURE 4-25. EXHAUST INSTALLATION (74HP)	208
FIGURE 4-26. EXHAUST INSTALLATION (130HP)	210
FIGURE 4-27. DEF SYSTEM INSTALLATION (ULS)	212
FIGURE 4-28. DEF MODULE PUMP	214
FIGURE 4-29. DEF COOLANT LINES INSTALLATION	216
FIGURE 4-30. DEF LINES INSTALLATION	218
FIGURE 4-31. PUMP COUPLER INSTALLATION	220
FIGURE 4-32. A/C COMPONENTS INSTALLATION (74HP)	222
FIGURE 4-33. A/C COMPONENTS INSTALLATION (130HP)	224
FIGURE 4-34. HEATER BREATHER	226
FIGURE 4-35. AIR INTAKE SHUT OFF VALVE INSTALLATION	228
SECTION 5 - DRIVE TRAIN	231
FIGURE 5-1. TRANSMISSION INSTALLATION	232
FIGURE 5-2. TRANSMISSION, 4-SPEED	234
FIGURE 5-3. TRANSMISSION, ENGINE CONNECTION AND CONVERTER	236
FIGURE 5-4. TRANSMISSION, INPUT SHAFTS	238
FIGURE 5-5. TRANSMISSION, GEARBOX HOUSING	240
FIGURE 5-6. TRANSMISSION, COUPLING GROUP 1	242
FIGURE 5-7. TRANSMISSION, COUPLING GROUP 2	244
FIGURE 5-8. TRANSMISSION, COUPLING GROUP 3	246
FIGURE 5-9. TRANSMISSION, COUPLING GROUP 4	248
FIGURE 5-10. TRANSMISSION, REVERSING GEAR GROUP 1	250
FIGURE 5-11. TRANSMISSION, REVERSING GEAR GROUP 2	252
FIGURE 5-12. TRANSMISSION, OUTPUT	254
FIGURE 5-13. TRANSMISSION, CONTROL UNIT	256
FIGURE 5-14. TRANSMISSION, VALVE HOUSING ASSEMBLY	258
FIGURE 5-15. TRANSMISSION, VALVE BLOCK ASSEMBLY	260
FIGURE 5-16. TRANSMISSION, OIL PUMP AND FILTER	262
FIGURE 5-17. DRIVETRAIN INSTALLATION	264

TABLE OF CONTENTS

FIGURE 5-18. DRIVESHAFTS INSTALLATION.....	266
FIGURE 5-19. DRIVE SHAFT INPUT	268
FIGURE 5-20. AXLE INSTALLATION	270
FIGURE 5-21. FRONT AXLE	272
FIGURE 5-22. FRONT AXLE - CENTRAL HOUSING	274
FIGURE 5-23. FRONT AXLE - DIFFERENTIAL.....	276
FIGURE 5-24. FRONT AXLE - HUB REDUCTION.....	278
FIGURE 5-25. FRONT AXLE - BRAKES.....	282
FIGURE 5-26. FRONT AXLE - STEERING.....	284
FIGURE 5-27. REAR AXLE.....	286
FIGURE 5-28. REAR AXLE - CENTRAL HOUSING	288
FIGURE 5-29. REAR AXLE - DIFFERENTIAL	290
FIGURE 5-30. REAR AXLE - HUB REDUCTION.....	292
FIGURE 5-31. REAR AXLE - BRAKES	296
FIGURE 5-32. REAR AXLE - STEERING	298
FIGURE 5-33. TIRE SET, 14.00-24 FOAM	300
FIGURE 5-34. TIRE SET, 17.5-25 PNEUMATIC G-2.....	302
FIGURE 5-35. TIRE SET, 17.5-25 FOAM G-2	304
FIGURE 5-36. TIRE SET, 18 X 625 TURF/SAND	306
FIGURE 5-37. TIRE SET, 360/85-28 SOLID.....	308
FIGURE 5-38. TIRE SET, 400/75-28 PNEUMATIC.....	310
FIGURE 5-39. TIRE SET, 400/75-28 PNEUMATIC (NON-MARKING).....	312
FIGURE 5-40. TIRE SET, 400/75-28 FOAM	314
FIGURE 5-41. TIRE SET, 400/75-28 FOAM (NON-MARKING)	316
FIGURE 5-42. FENDER INSTALLATION.....	318
SECTION 6 - CAB.....	321
FIGURE 6-1. CAB INSTALLATION	322
FIGURE 6-2. OPEN CAB INSTALLATION	324
FIGURE 6-3. OPEN CAB	328
FIGURE 6-4. ENCLOSED CAB WITH HEATER/AC INSTALLATION	330
FIGURE 6-5. CAB, ENCLOSED WITH HEATER	334
FIGURE 6-6. CAB ENCLOSURE	336
FIGURE 6-7. ROOF HEATER BOX.....	338
FIGURE 6-8. CAB HEATER LINES INSTALLATION	340
FIGURE 6-9. ENCLOSED CAB WITH HEATER/AC INSTALLATION	342
FIGURE 6-10. ENCLOSED CAB WITH HEATER	346
FIGURE 6-11. CAB HVAC ENCLOSURE	348
FIGURE 6-12. ROOF BOX HVAC	350
FIGURE 6-13. FLOOR HEATER	352
FIGURE 6-14. CAB DOOR ASSEMBLY.....	354
FIGURE 6-15. RH SLIDER WINDOW	356
FIGURE 6-16. FRONT WIPER ASSEMBLY.....	358
FIGURE 6-17. SKYLIGHT WIPER ASSEMBLY	360
FIGURE 6-18. CAB HEATER/AC LINES INSTALLATION	362
FIGURE 6-19. HEATER VALVE.....	364
FIGURE 6-20. SEAT.....	366
FIGURE 6-21. SEAT BELT INSTALLATION (3IN)	368
FIGURE 6-22. REAR DROPOUT WINDOW INSTALLATION (ANSI)	370
FIGURE 6-23. REAR DROPOUT WINDOW INSTALLATION (ENGLISH/FRENCH)	372
FIGURE 6-24. REAR DROPOUT WINDOW INSTALLATION (ISO).....	374
FIGURE 6-25. REAR DROPOUT WINDOW INSTALLATION (ENGLISH/SPANISH)	376
FIGURE 6-26. MIRROR INSTALLATION	378
FIGURE 6-27. FIRE EXTINGUISHER INSTALLATION.....	380
SECTION 7 - CONTROLS	383
FIGURE 7-1. SECONDARY CONTROLS INSTALLATION	384
FIGURE 7-2. PILOT JOYSTICK CONTROL.....	386
FIGURE 7-3. BRAKE ASSEMBLY - SAFIM	388
SECTION 8 - HYDRAULIC CIRCUITS.....	391
FIGURE 8-1. HYDRAULIC INSTALLATION.....	392
FIGURE 8-2. AUXILIARY HYDRAULICS INSTALLATION.....	394
FIGURE 8-3. AXLE HYDRAULIC INSTALLATION.....	396

TABLE OF CONTENTS

FIGURE 8-4. AXLE HYDRAULIC ASSEMBLY (FRONT).....	398
FIGURE 8-5. AXLE HYDRAULIC ASSEMBLY (REAR).....	400
FIGURE 8-6. AXLE PIN LUBE KIT INSTALLATION.....	402
FIGURE 8-7. BRAKE HYDRAULICS INSTALLATION.....	404
FIGURE 8-8. BRAKE VALVE INSTALLATION.....	406
FIGURE 8-9. BULKHEAD INSTALLATION (REAR).....	408
FIGURE 8-10. CAB HYDRAULICS INSTALLATION.....	410
FIGURE 8-11. CAB PILOT CONTROLS INSTALLATION.....	412
FIGURE 8-12. CAB PILOT JOYSTICK CONTROL ASSEMBLY.....	414
FIGURE 8-13. COOLER HYDRAULIC PLUMBING INSTALLATION.....	416
FIGURE 8-14. COOLER HYDRAULICS PLUMBING INSTALLATION - TRANSMISSION.....	418
FIGURE 8-15. CYLINDER INSTALLATION - EXTEND.....	420
FIGURE 8-16. CYLINDER INSTALLATION - EXTEND LOCKOUT.....	422
FIGURE 8-17. CYLINDERS HYDRAULICS INSTALLATION - FRAME.....	424
FIGURE 8-18. FORK TILT HYDRAULICS INSTALLATION.....	426
FIGURE 8-19. FRAME HYDRAULICS INSTALLATION.....	428
FIGURE 8-20. FRAME SECONDARY VALVE & FITTINGS SUB-ASSEMBLY.....	430
FIGURE 8-21. MAIN CONTROL VALVE & FITTINGS SUB-ASSEMBLY.....	432
FIGURE 8-22. OUTRIGGER & FITINGS SUB-VALVE ASSEMBLY.....	434
FIGURE 8-23. PISTON PUMP INSTALLATION.....	436
FIGURE 8-24. PUMP HYDRAULICS INSTALLATION.....	438
FIGURE 8-25. STEERING HYDRAULICS INSTALLATION.....	440
FIGURE 8-26. STEERING VALVE INSTALLATION.....	442
SECTION 9 - HYDRAULIC COMPONENTS.....	445
FIGURE 9-1. CYLINDER GROUP INSTALLATION.....	446
FIGURE 9-2. CYLINDER - BUCKET (GRAPPLE).....	448
FIGURE 9-3. CYLINDER - CARRIAGE (DUAL FORK).....	450
FIGURE 9-4. CYLINDER - CARRIAGE (SIDE SHIFT).....	452
FIGURE 9-5. CYLINDER - CARRIAGE (SWING).....	454
FIGURE 9-6. CYLINDER - COMPENSATION.....	456
FIGURE 9-7. CYLINDER - LIFT.....	458
FIGURE 9-8. CYLINDER - EXTEND/RETRACT.....	460
FIGURE 9-9. CYLINDER - FRAME LEVEL.....	462
FIGURE 9-10. CYLINDER - OUTRIGGER.....	464
FIGURE 9-11. CYLINDER - PIPE HANDLER.....	466
FIGURE 9-12. CYLINDER - SIDE TILT.....	468
FIGURE 9-13. CYLINDER - STABIL-TRAK.....	470
FIGURE 9-14. CYLINDER - TILT.....	472
FIGURE 9-15. PUMP - PISTON.....	474
FIGURE 9-16. TANK INSTALLATION (74HP ULS).....	476
FIGURE 9-17. TANK ASSEMBLY - HYDRAULIC FUEL (74HP ULS).....	478
FIGURE 9-18. TANK INSTALLATION (130HP ULS).....	480
FIGURE 9-19. TANK INSTALLATION - HYDRAULIC/FUEL/DEF (130HP ULS).....	482
FIGURE 9-20. TANK - DEF TANK (130HP ULS).....	484
FIGURE 9-21. TANK INSTALLATION (130HP LS).....	486
FIGURE 9-22. TANK ASSEMBLY - HYDRAULIC/FUEL/DEF (130HP LS).....	488
FIGURE 9-23. VALVE - AIR SHUT OFF.....	490
FIGURE 9-24. VALVE - BRAKE.....	492
FIGURE 9-25. VALVE - FRAME SECONDARY CONTROL.....	494
FIGURE 9-26. VALVE - MAIN CONTROL.....	496
FIGURE 9-27. VALVE - OUTRIGGER.....	498
FIGURE 9-28. VALVE - PIPE GRAPPLE.....	500
FIGURE 9-29. VALVE AND FITTING SUB-ASSEMBLY - STEERING SELECT.....	502
SECTION 10 - ELECTRICAL.....	505
FIGURE 10-1. ELECTRICAL INSTALLATION (74HP ULS).....	506
FIGURE 10-2. ELECTRICAL INSTALLATION (130HP ULS).....	510
FIGURE 10-3. ELECTRICAL INSTALLATION (130HP LS).....	514
FIGURE 10-4. AIR SHUT OFF VALVE ENGINE HARNESS.....	518
FIGURE 10-5. AIR SHUT OFF VALVE CAB HARNESS.....	520
FIGURE 10-6. ALARM INSTALLATION - BACK-UP.....	522
FIGURE 10-7. ALARM INSTALLATION - BACK-UP (WHITE NOISE).....	524
FIGURE 10-8. BATTERY INSTALLATION.....	526
FIGURE 10-9. BATTERY BLANKET INSTALLATION.....	528

TABLE OF CONTENTS

FIGURE 10-10. BOOM EXTEND HARNESS	530
FIGURE 10-11. CAB POWER DISTRIBUTION HARNESS.....	532
FIGURE 10-12. CLEARSKY CANBUS TELEMATICS INSTALLATION	538
FIGURE 10-13. CLEARSKY INSTALLATION 3-WIRE (ANSI)	540
FIGURE 10-14. CLEARSKY INSTALLATION 3-WIRE (CE).....	542
FIGURE 10-15. CLEARSKY INSTALLATION CANBUS (ANSI).....	544
FIGURE 10-16. CLEARSKY INSTALLATION CANBUS (CE)	546
FIGURE 10-17. CLEARSKYTELEMATICS HARNESS	548
FIGURE 10-18. CLEARSKY TELEMATICS HARNESS	550
FIGURE 10-19. CLEARSKYTELEMATICS GATEWAY HARNESS	552
FIGURE 10-20. COLD WEATHER PACKAGE INSTALLATION (74HP ULS)	554
FIGURE 10-21. COLD WEATHER PACKAGE INSTALLATION (130HP LS).....	556
FIGURE 10-22. ENGINE HARNESS, 74HP ULS	558
FIGURE 10-23. ENGINE HARNESS - 130HP ULS.....	564
FIGURE 10-24. ENGINE HARNESS 130HP LS.....	570
FIGURE 10-25. HVAC HARNESS.....	574
FIGURE 10-26. LIGHTS - BEACON INSTALLATION (ENCLOSED CAB)	576
FIGURE 10-27. LIGHTS - BEACON INSTALLATION (OPEN CAB).....	578
FIGURE 10-28. LIGHTS - BEACON OPTION HARNESS	580
FIGURE 10-29. LIGHTS - ROADLIGHT PACKAGE INSTALLATION	582
FIGURE 10-30. LIGHTS - ROADLIGHT ASSEMBLY (LH).....	584
FIGURE 10-31. LIGHTS - ROADLIGHT ASSEMBLY (RH)	586
FIGURE 10-32. LIGHTS - ROADLIGHT BRACKET ASSEMBLY (LH).....	588
FIGURE 10-33. LIGHTS - ROADLIGHT BRACKET ASSEMBLY (RH)	590
FIGURE 10-34. LIGHTS - ROADLIGHT WORKLIGHT HARNESS	592
FIGURE 10-35. LIGHTS - ROADLIGHT OPTION HARNESS	594
FIGURE 10-36. LIGHTS - WORKLIGHT PACKAGE INSTALLATION (LED)	596
FIGURE 10-37. LIGHTS - WORKLIGHT ASSEMBLY - LED (RH)	598
FIGURE 10-38. LIGHTS - WORKLIGHT ASSEMBLY - LED (LH).....	600
FIGURE 10-39. LIGHTS - WORK LIGHT OPTION HARNESS	602
FIGURE 10-40. LIGHTS - WORKLIGHT BOOM HARNESS	604
FIGURE 10-41. LOGIC HARNESS.....	606
FIGURE 10-42. RELAY PANEL INSTALLATION	608
FIGURE 10-43. REVERSE CAMERA.....	610
FIGURE 10-44. RELAY PANEL COVER ASSEMBLY.....	612
FIGURE 10-45. REVERSE CAMERA OPTION HARNESS.....	614
FIGURE 10-46. REVERSE SENSOR INSTALLATION	616
FIGURE 10-47. REVERSE SENSOR HARNESS.....	618
FIGURE 10-48. TANK HEATER INSTALLATION - HYDRAULIC TANK	620
FIGURE 10-49. TBAP HARNESS	622
FIGURE 10-50. WIPER HARNESS	624
SECTION 11 - DECALS.....	627
FIGURE 11-1. DECALS INSTALLATION (74HP) (ANSI)	628
FIGURE 11-2. DECALS INSTALLATION (74HP) (ENGLISH/FRENCH).....	632
FIGURE 11-3. DECALS INSTALLATION (74HP) (ENGLISH/SPANISH)	636
FIGURE 11-4. DECALS INSTALLATION (130HP) (ANSI)	640
FIGURE 11-5. DECALS INSTALLATION (130HP) (ENGLISH/FRENCH).....	644
FIGURE 11-6. DECALS INSTALLATION (130HP) (ENGLISH/SPANISH)	648
FIGURE 11-7. DECALS INSTALLATION (130HP) (ISO)	652
FIGURE 11-8. DECAL INSTALLATION (BRAND AND MODELS)	656
FIGURE 11-9. BOOM DECALS INSTALLATION (PVC 2011).....	658
FIGURE 11-10. CLEARSKY DECALS INSTALLATION	660
FIGURE 11-11. LOADCHART BOOKLET (ANSI)	662
FIGURE 11-12. LOADCHART BOOKLET (ISO).....	664
FIGURE 11-13. REVERSE SENSOR SYSTEM DECAL (ENGLISH)	666
FIGURE 11-14. REVERSE SENSOR SYSTEM DECAL (ENGLISH/FRENCH)	668
FIGURE 11-15. REVERSE SENSOR SYSTEM DECAL (ENGLISH/SPANISH)	670
FIGURE 11-16. REVERSE SENSOR SYSTEM DECAL (ISO).....	672
SECTION 12 - RECOMMENDED SERVICE PARTS STOCK	675
FIGURE 12-1. RECOMMENDED SERVICE PARTS STOCK	676
SECTION 13 - SPECIAL OPTIONS/ACCESSORIES/KITS	679

TABLE OF CONTENTS

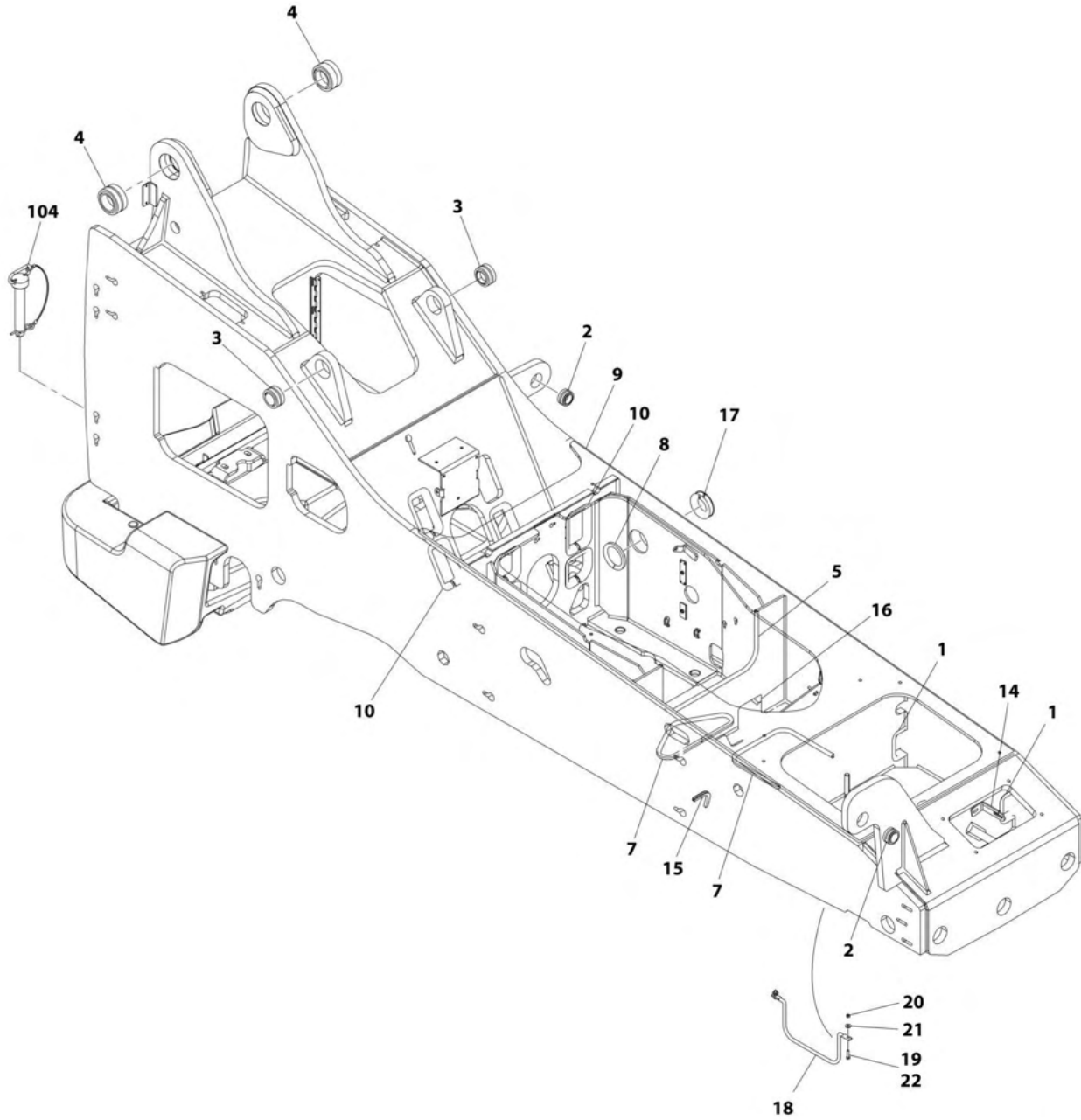
FIGURE 13-1. SPECIAL OPTIONS/ACCESSORIES/KITS.....	680
PART NUMBER INDEX.....	681

SECTION 1 - FRAME AND ATTACHING PARTS

SECTION 1 - FRAME AND ATTACHING PARTS

SECTION 1 - FRAME AND ATTACHING PARTS

FIGURE 1-1. FRAME COMPONENTS INSTALLATION



ART_1001241711-B

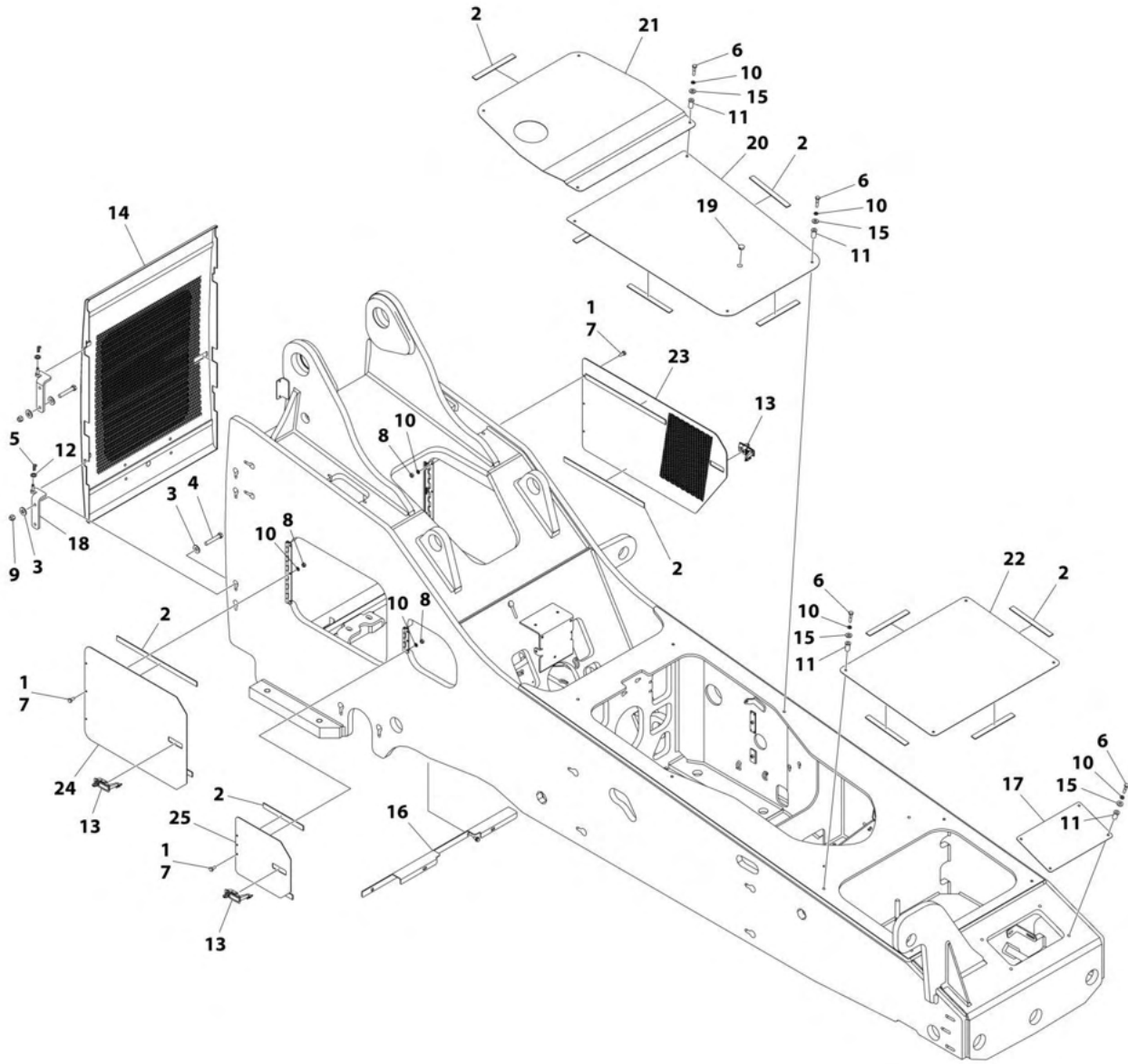
SECTION 1 - FRAME AND ATTACHING PARTS

FIGURE 1-1. FRAME COMPONENTS INSTALLATION

ITEM	PART NUMBER	QTY	DESCRIPTION	REV
	1001241711	Ref	Frame Components Installation	B
1	7124451	4	Conduit, 1X8	
2	8050001	2	Bearing, Self-Align	
3	8065640	4	Bearing, Self-Align	
4	8065641	2	Bearing, Self-Align	
5	1001172658	1	Conduit, 1/2X41	
7	1001177190	2	Conduit, 1/2X28	
8	1001177192	1	Conduit, 1/2X12-1/2	
9	N.S.S.	1	Weldment, Frame	
10	1001174227	7	Conduit, 1X21-1/2	
14	4060804	4 in	Shield, Flex Trim 3/16	
15	4060805	6 in	Shield, Flex Trim 1/4	
16	7124301	2	Conduit, 1/2X15-1/2	
17	7124471	2	Conduit, 1X12-1/2	
18	1001165057	1	Bracket, Cab Hose	
19	0641510	2	Bolt, 5/16-18X1	
20	8305006	2	Nut, Hex 5/16-18	
21	8307203	2	Washer, Plain 5/16	
22	0100011	AR	Compound, Locking	

SECTION 1 - FRAME AND ATTACHING PARTS

FIGURE 1-2. FRAME COVERS INSTALLATION



ART_1001242031

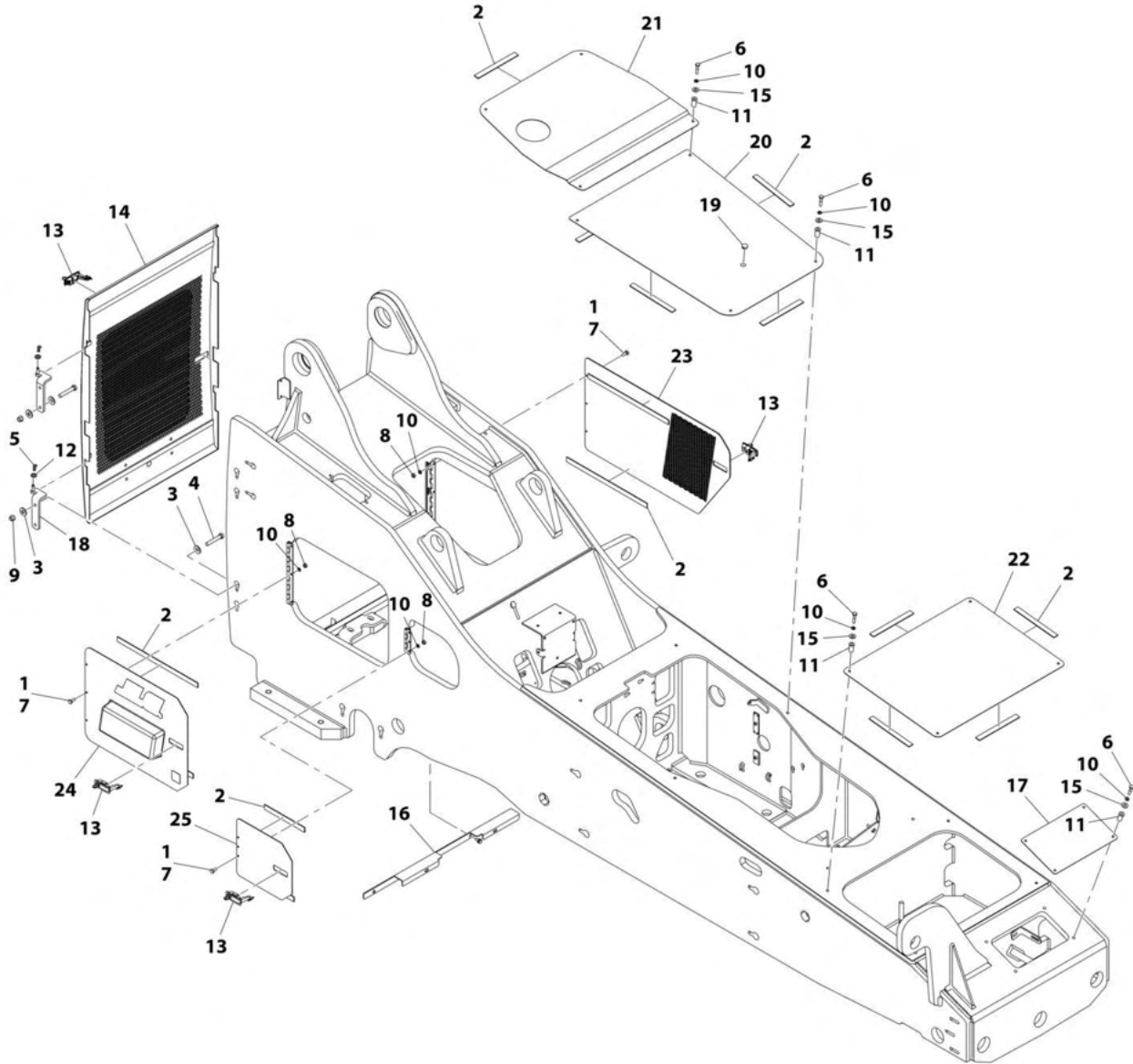
SECTION 1 - FRAME AND ATTACHING PARTS

FIGURE 1-2. FRAME COVERS INSTALLATION

ITEM	PART NUMBER	QTY	DESCRIPTION	REV
	1001242031	Ref	FRAME COVERS INSTALLATION	D
1	0100011	AR	Compound, Locking	
2	4420037	190 in	Tape, Insulation	
3	8307204	8	Washer 3/8	
4	0641618	4	Bolt 3/8 x 2-1/4	
5	8302470	2	Pin, Hair	
6	8303615	14	Bolt 1/4 x 1-1/4	
7	8303729	9	Bolt 1/4 x 5/8	
8	8305004	9	Nut 1/4	
9	8305645	4	Nut 3/8	
10	8307002	23	Washer 1/4	
11	8580420	14	Nut, Well	
12	10732150	2	Washer M10	
13	1001190341	3	Latch, Adjustable Trigger	
14	1001242032	1	Assembly, Rear Door	
15	8307202	14	Washer 1/4	
16	1001127864	1	Installation, Dust Shield (See Separate Breakdown in this Section)	
17	1001192390	1	Cover, Front	
18	1001159319	2	Mount, Rear Door	
19	3520030	1	Plug, Hole	
20	1001242035	1	Cover, Lower Transmission	
21	7139407	1	Cover, Upper Transmission	
22	7139047	1	Cover, Counterweight	
23	1001169006	1	Panel, Left Side Access	
24	1001171384	1	Panel, Engine Access Right Side	
25	1001171385	1	Panel, Air Cleaner Access	

SECTION 1 - FRAME AND ATTACHING PARTS

FIGURE 1-3. FRAME COVERS INSTALLATION W/AIR SHUT OFF VALVE



ART_1001244085-C

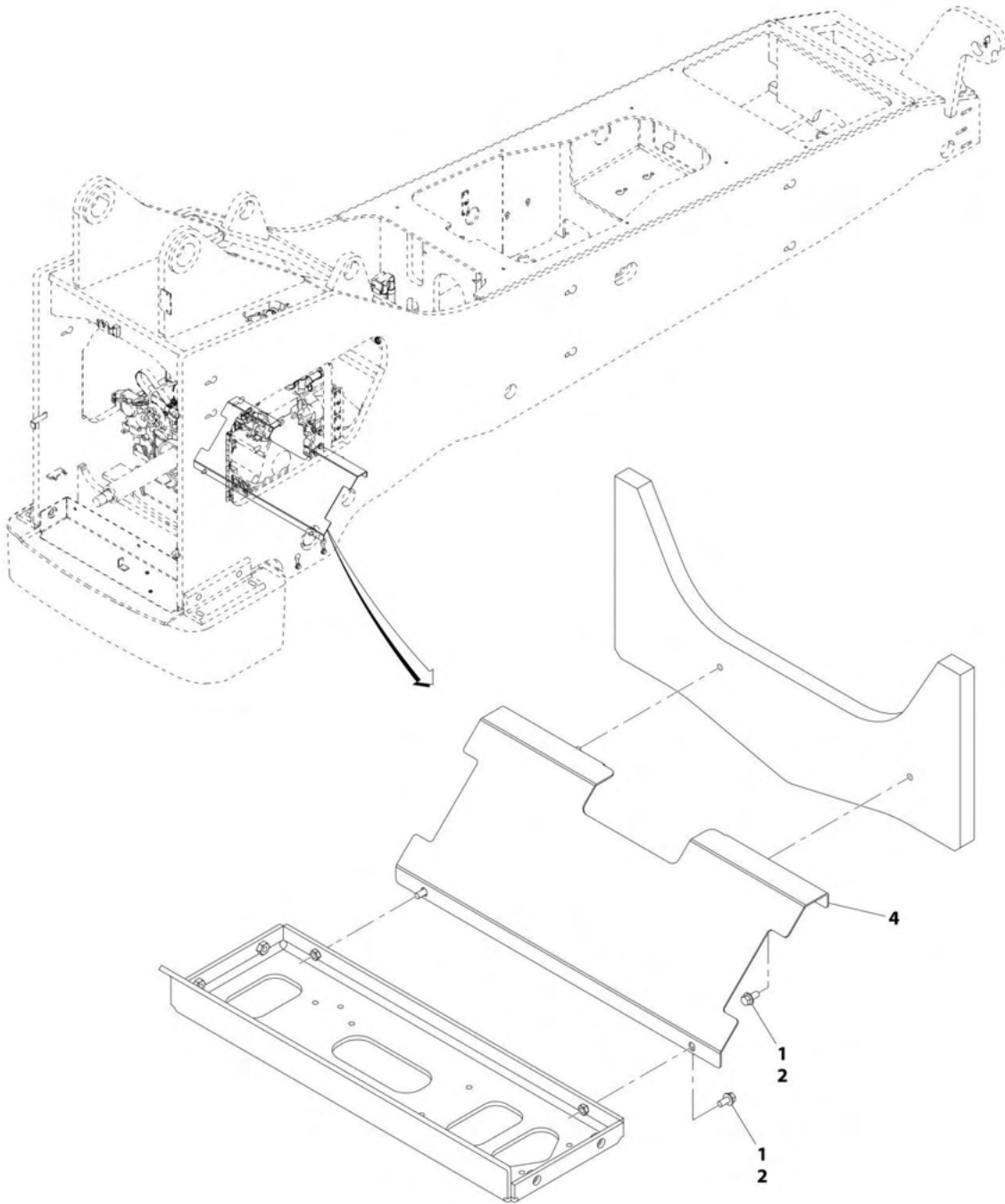
SECTION 1 - FRAME AND ATTACHING PARTS

FIGURE 1-3. FRAME COVERS INSTALLATION W/AIR SHUT OFF VALVE

ITEM	PART NUMBER	QTY	DESCRIPTION	REV
	1001244085	Ref	Frame Covers Installation W/Air Shut Off Valve	C
1	0100011	AR	Compound, Locking	
2	4420037	190 in	Tape, Insulation	
3	8307204	8	Washer, 3/8	
4	0641618	4	Bolt, 3/8-16X2-1/4	
5	8302470	2	Pin, Hair	
6	8303615	14	Bolt, 1/4-20X1-1/4	
7	8303729	9	Bolt, 1/4-20X5/8	
8	8305004	9	Nut, Hex 1/4-20	
9	8305645	4	Nut, Lock 3/8-16	
10	8307002	23	Washer, Lock 1/4	
11	8580420	14	Nut, Well	
12	10732150	2	Washer, Flat M10	
13	1001190341	4	Latch, Adjustable Trigger	
14	1001242032	1	Assembly, Door Rear	
15	8307202	14	Washer, Plain 1/4	
16	1001127864	1	Installation, Dust Shield (See Separate Breakdown in this Section)	
17	1001192390	1	Cover, Front	
18	1001159319	2	Mount, Rear Door	
19	3520030	1	Plug, Hole	
20	1001242035	1	Cover, Lower Transmission	
21	7139407	1	Cover, Upper Transmission	
22	7139047	1	Cover, Counterweight	
23	1001169006	1	Panel, Left Side Access	
24	1001216291	1	Panel, Engine Access Right Side	
25	1001171385	1	Panel, Air Cleaner Access	

SECTION 1 - FRAME AND ATTACHING PARTS

FIGURE 1-4. DUST SHIELD INSTALLATION



ART_1001127864-B

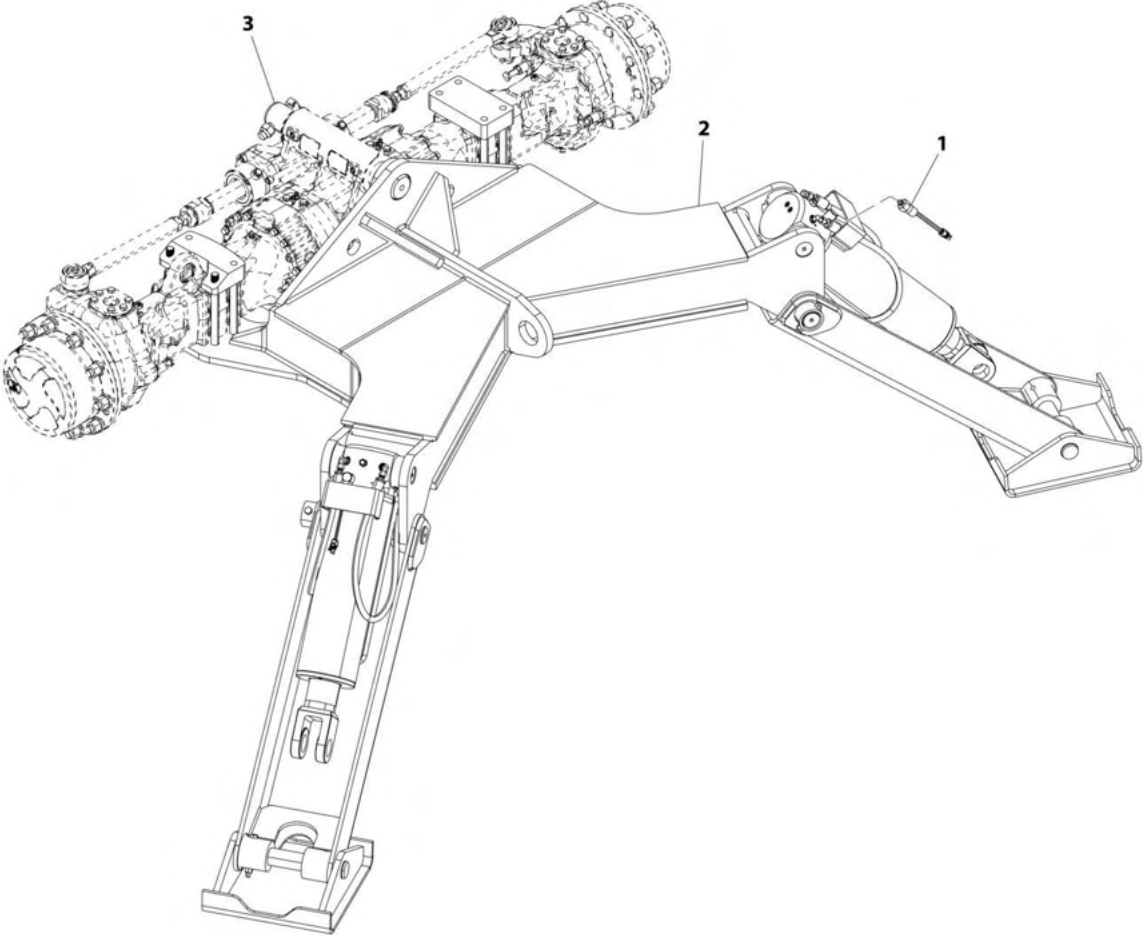
SECTION 1 - FRAME AND ATTACHING PARTS

FIGURE 1-4. DUST SHIELD INSTALLATION

ITEM	PART NUMBER	QTY	DESCRIPTION	REV
	1001127864	Ref	Dust Shield Installation	B
1	0100011	AR	Compound, Locking	
2	0791606	4	Bolt, 3/8-16X3/4	
4	1001127867	1	Panel, Dust Baffle Front	

SECTION 1 - FRAME AND ATTACHING PARTS

FIGURE 1-5. OUTRIGGER INSTALLATION



ART_1001242960-B

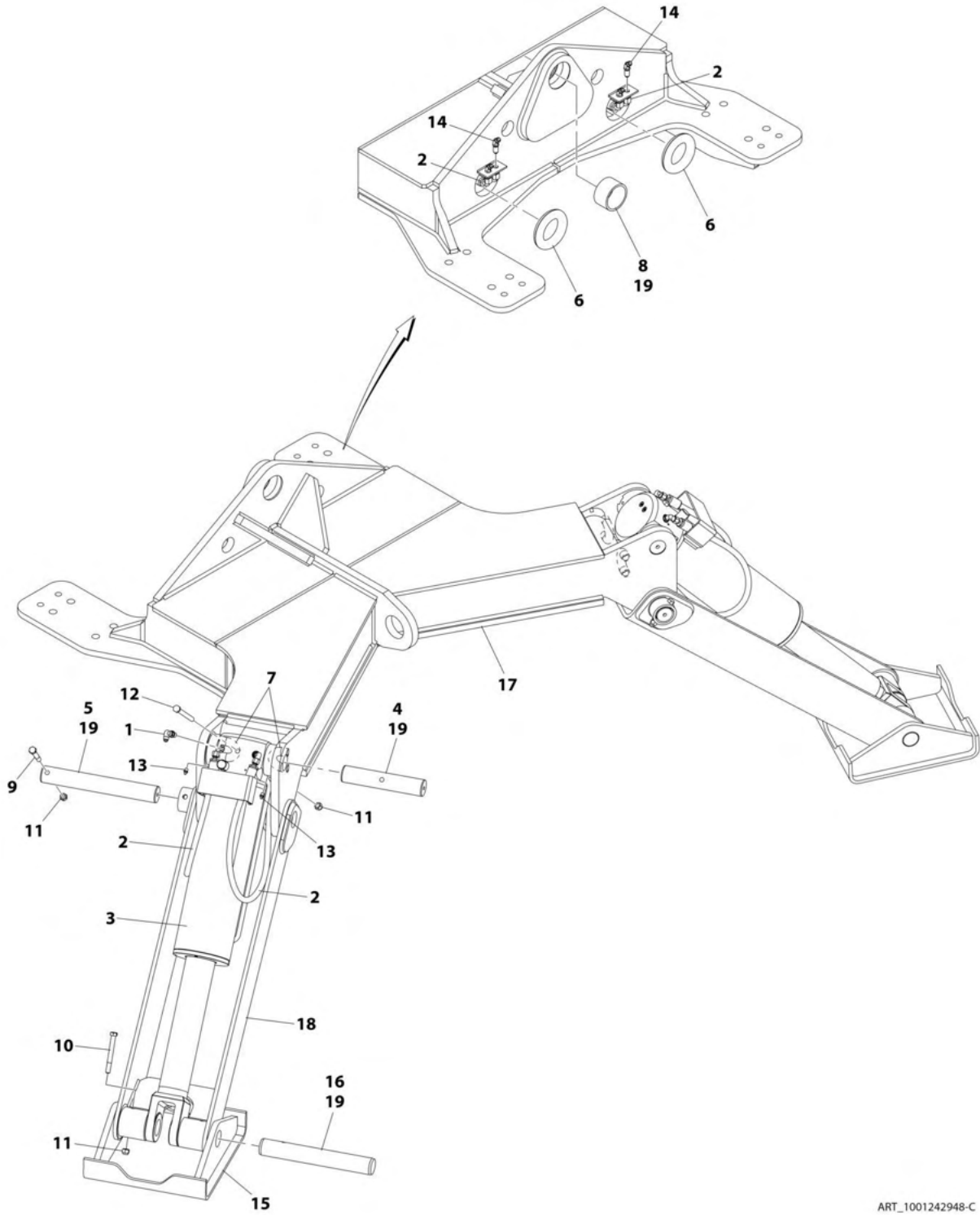
SECTION 1 - FRAME AND ATTACHING PARTS

FIGURE 1-5. OUTRIGGER INSTALLATION

ITEM	PART NUMBER	QTY	DESCRIPTION	REV
1	1001242960	Ref	Outrigger Installation	B
1	8223536	2	Switch, Pressure	
2	1001242948	1	Installation, Outriggers Sub-Assembly (See Separate Breakdown in this Section)	
3	1001242959	1	Installation, Outriggers Mounting (See Separate Breakdown in this Section)	

SECTION 1 - FRAME AND ATTACHING PARTS

FIGURE 1-6. OUTRIGGER SUB-ASSEMBLY INSTALLATION



ART_1001242948-C

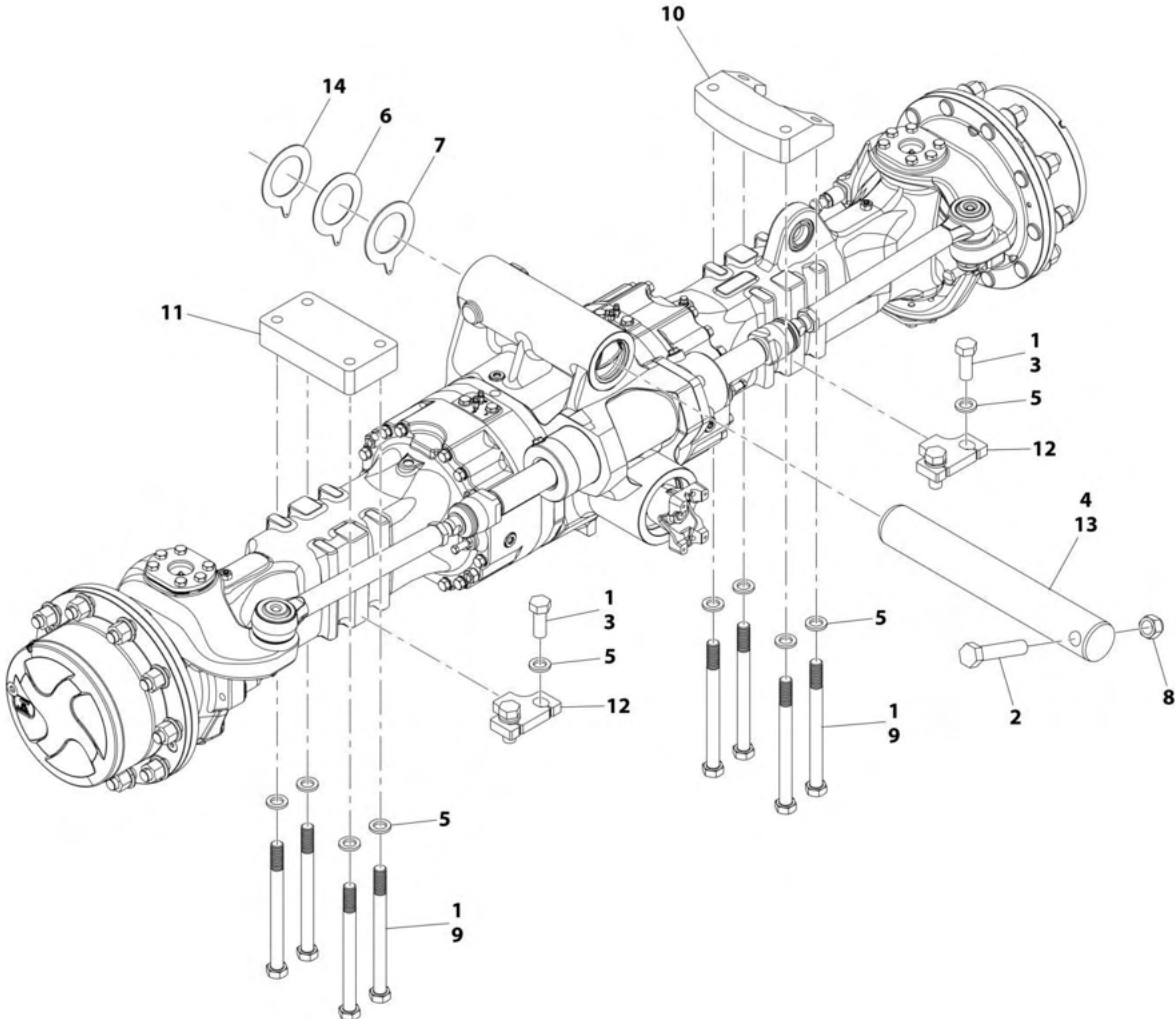
SECTION 1 - FRAME AND ATTACHING PARTS

FIGURE 1-6. OUTRIGGER SUB-ASSEMBLY INSTALLATION

ITEM	PART NUMBER	QTY	DESCRIPTION	REV
	1001242948	Ref	Outrigger Sub-Assembly Installation	C
1	2220473	4	Adapter, 90	
2	2716709	4	Hose	
3	1001239183	2	Cylinder, Outrigger (See Separate Breakdown in HYDRAULIC COMPONENTS Section)	
4	7090871	2	Pin, Cylinder Pivot Outrigger	
5	7090891	2	Pin, Leg Pivot Outrigger	
6	7124491	2	Conduit, 1X15-1/2	
7	7125801	4	Conduit, 3/4X4	
8	8065063	1	Bushing	
9	8303628	2	Bolt, 1/2-13X3-3/4	
10	8303629	2	Bolt, 1/2-13X4-1/2	
11	8305644	6	Nut, Lock 1/2-13	
12	0641864	2	Bolt	
13	8520001	8	Fitting, Straight Lube 1/8	
14	8770189	4	Adapter, 45	
15	1001141892	2	Stabilizer, Pad Weld	
16	1001147515	2	Pin, Outrigger Shoe	
17	1001242920	1	Weldment, Stabilizer Frame	
18	1001244577	2	Weldment, Stabilizer Leg	
19	8522012	AR	Lube, Anti-Seize	

SECTION 1 - FRAME AND ATTACHING PARTS

FIGURE 1-7. OUTRIGGER MOUNTING INSTALLATION



ART_1001242959-C

SECTION 1 - FRAME AND ATTACHING PARTS

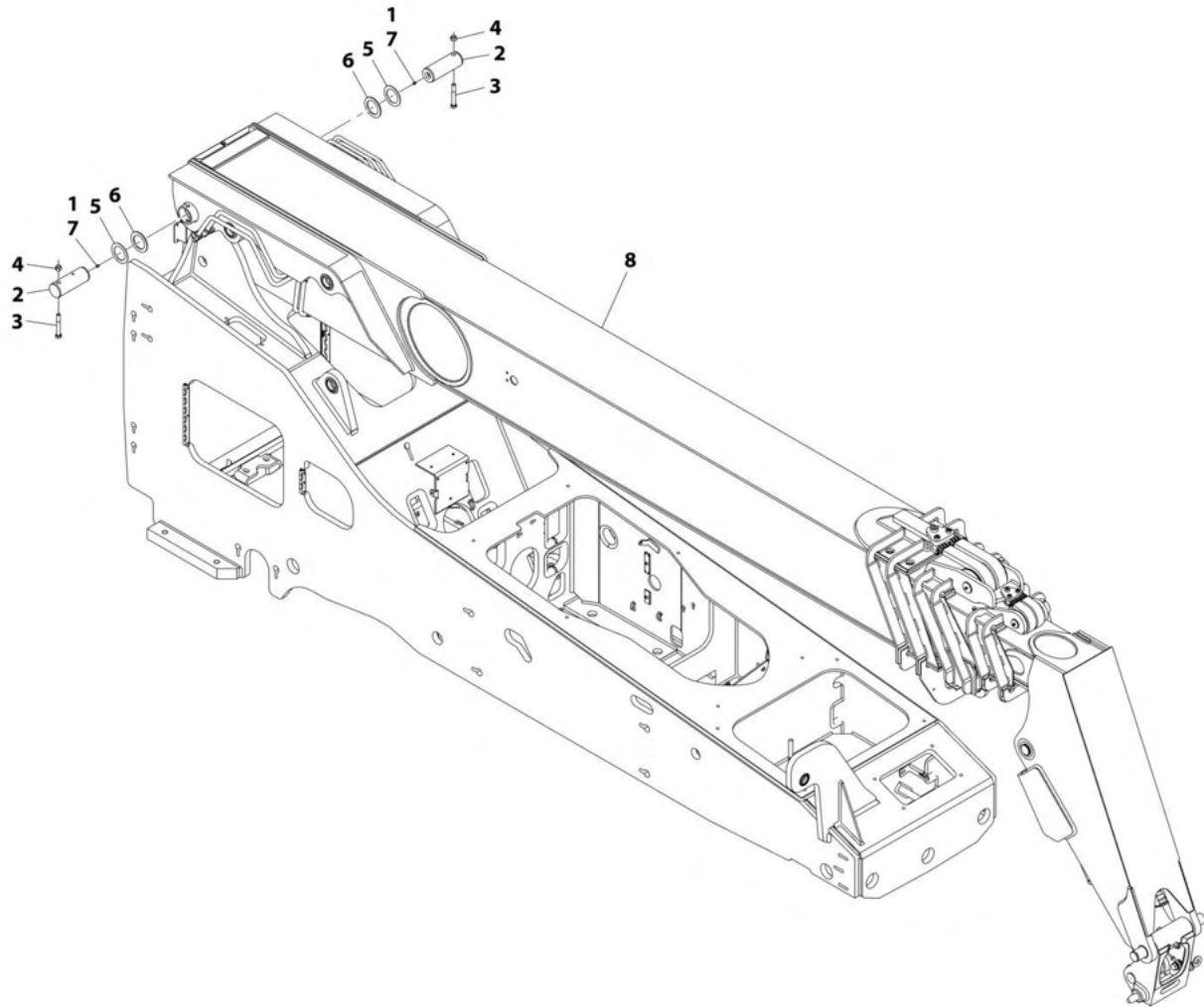
FIGURE 1-7. OUTRIGGER MOUNTING INSTALLATION

ITEM	PART NUMBER	QTY	DESCRIPTION	REV
	1001242959	Ref	Outrigger Mounting Installation	C
1	0100019	AR	Compound, Locking	
2	0642640	1	Bolt, 1-8X5	
3	0682418	4	Bolt, 7/8-9X2	
4	3423248	1	Pin, Axle/Outrigger	
5	4892400	12	Washer	
6	1001245213	AR	Washer, Shim 0.06	
7	1001245215	AR	Washer, Shim 0.12	
8	8310116	1	Nut, Lock 1-8	
9	1001250165	8	Bolt	
10	1001232517	1	Brace	
11	1001232518	1	Brace	
12	1001244592	2	Stop, Block Outrigger	
13	8522012	AR	Lube, Anti-Seize	
14	1001245214	AR	Washer, Shim 0.09	

SECTION 2 - BOOM

SECTION 2 - BOOM

FIGURE 2-1. BOOM INSTALLATION



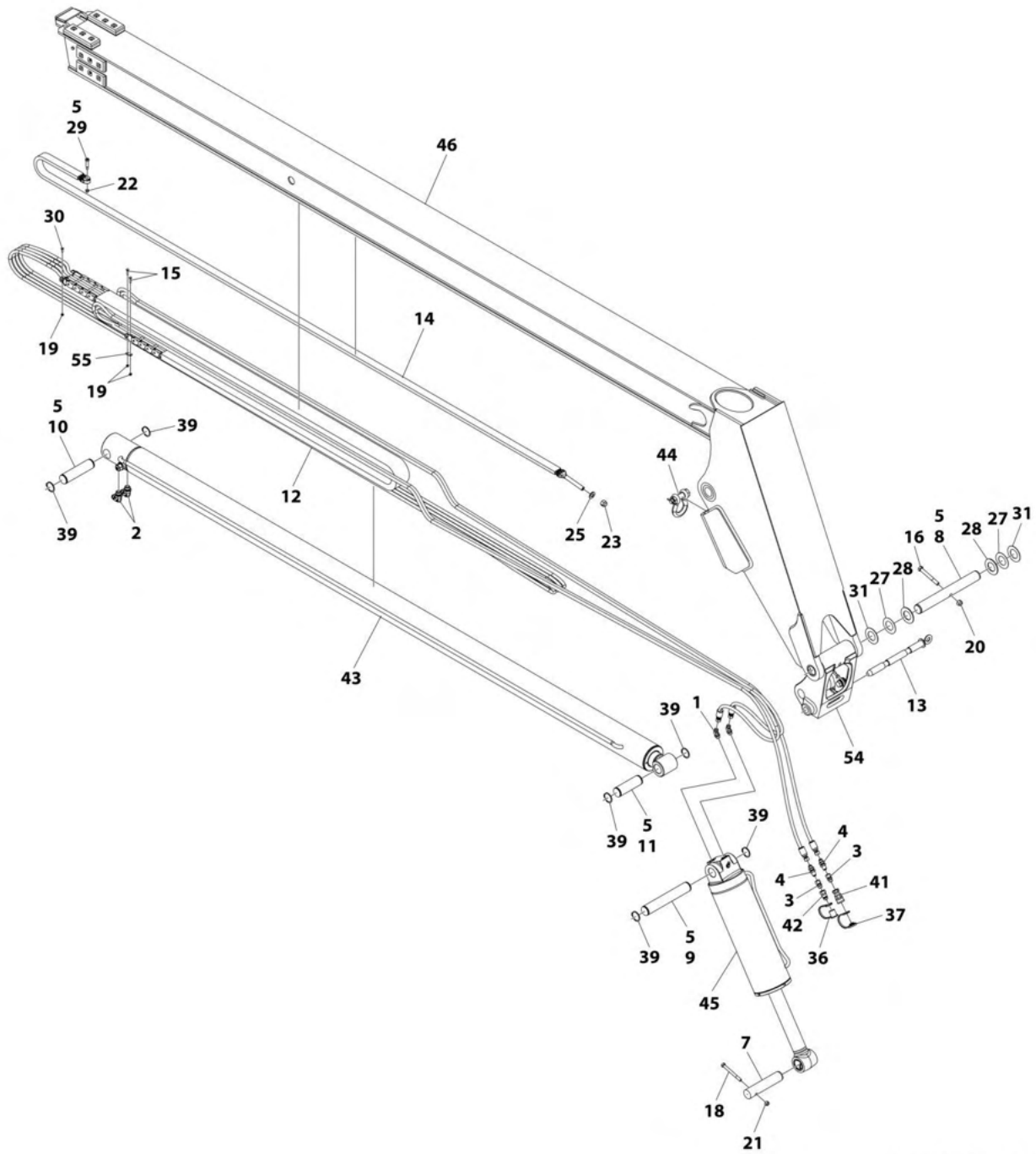
ART_1001239473-A

FIGURE 2-1. BOOM INSTALLATION

ITEM	PART NUMBER	QTY	DESCRIPTION	REV
	1001239473	Ref	Boom Installation	A
1	3020039	AR	Lube	
2	3423226	2	Pin, Boom Pivot	
3	8303655	2	Bolt, 5/8-11X4-1/2	
4	8305643	2	Nut, Lock 5/8-11	
5	8307910	AR	Washer, Shim	
6	8307911	AR	Washer, Shim	
7	8520013	2	Fitting, Straight Lube 1/8	
8	1001239474	1	Boom, Assembly (See Separate Breakdown in this Section)	

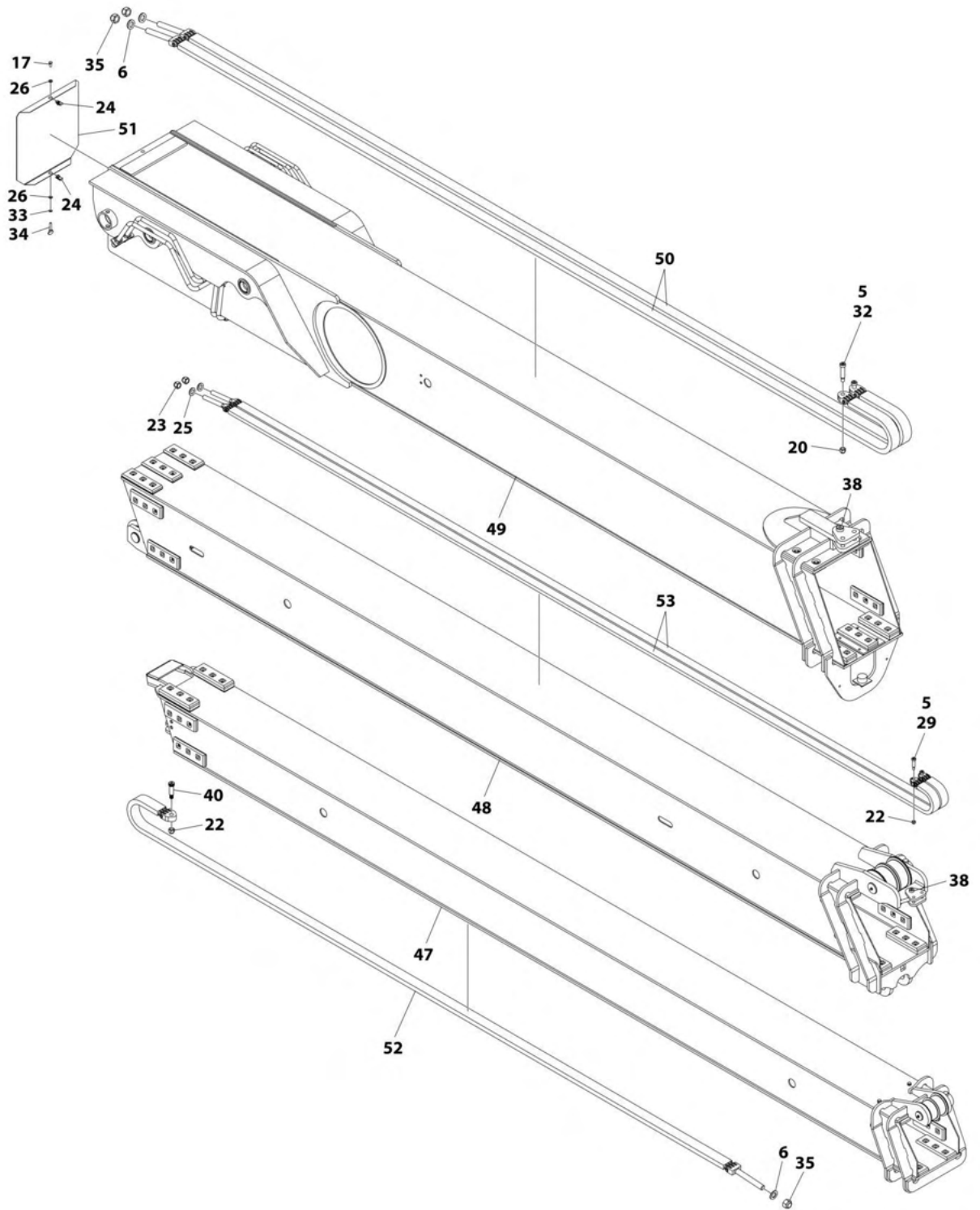
SECTION 2 - BOOM

FIGURE 2-2. BOOM ASSEMBLY



ART_1001239474_D_1OF2

SECTION 2 - BOOM



ART_1001239474_D_20F2

SECTION 2 - BOOM

FIGURE 2-2. BOOM ASSEMBLY

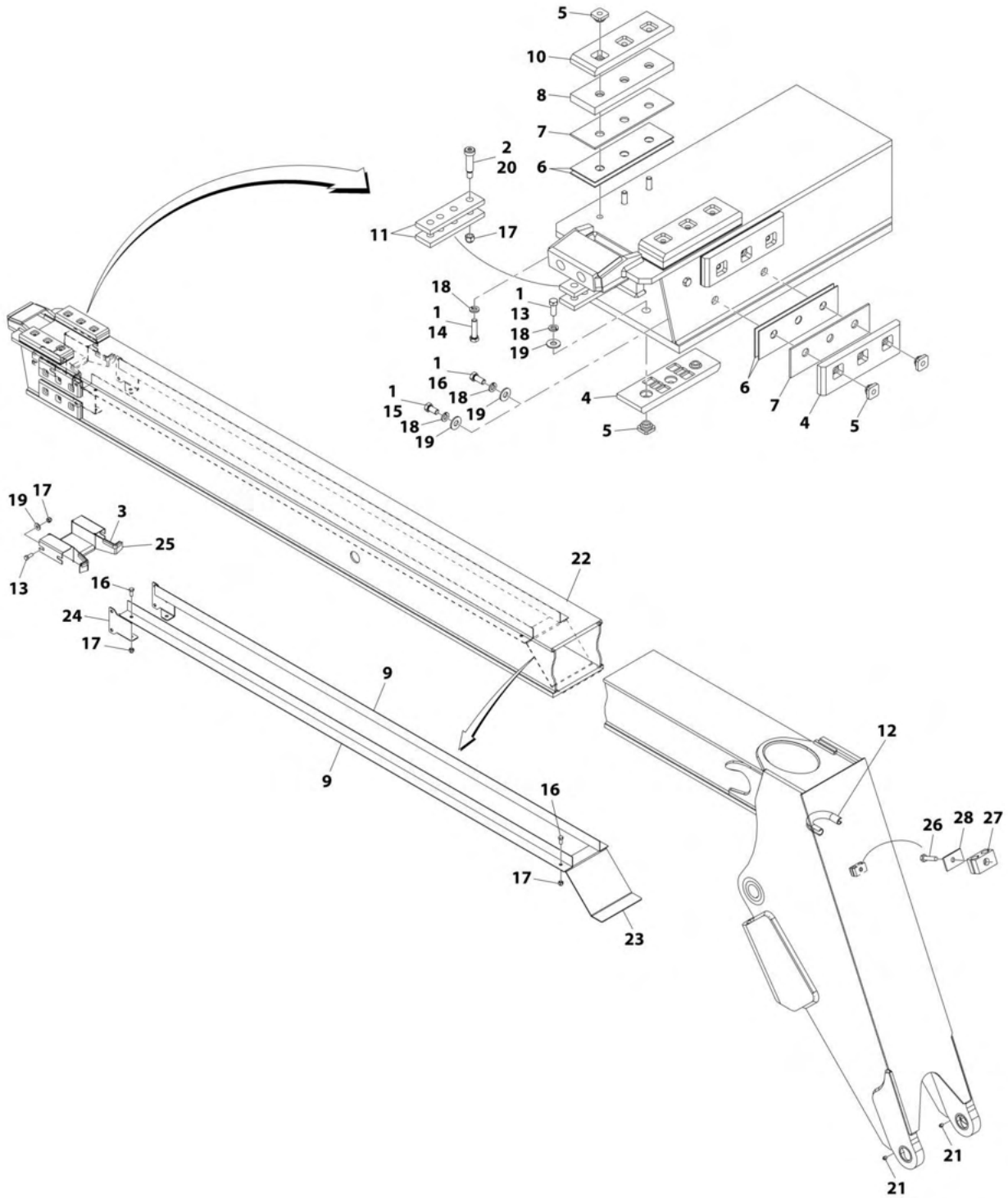
ITEM	PART NUMBER	QTY	DESCRIPTION	REV
	1001239474	Ref	Boom Assembly	D
1	2220500	2	Adapter, 45	
2	2220578	2	Adapter, 90	
3	2220651	2	Adapter, Bulkhead Straight	
4	2230025	2	Adapter, Bulkhead Straight	
5	3020039	AR	Lube	
6	4812700	3	Washer	
7	7083992	1	Pin, Rod End	
8	7095352	1	Pin, Carriage Pivot	
9	7095522	1	Pin, Base End	
10	7096552	1	Pin, Base End	
11	7096562	1	Pin, Rod End	
12	7112452	1	Assembly, Hose and Carrier (See Separate Breakdown in this Section)	
13	7118892	1	Assembly, Lock Pin	
14	7139692	1	Assembly, Retract Chain and Clevis (See Separate Breakdown in this Section)	
15	0641409	4	Bolt, 1/4X1-1/8	
16	8303666	1	Bolt, 5/8-11X5	
17	8303697	1	Bolt, 5/16-18X3/4	
18	8303772	1	Bolt, 1/2-13X5	
19	8305624	8	Nut, Lock 1/4-20	
20	8305643	4	Nut, Lock 5/8-11	
21	8305644	1	Nut, Lock 1/2-13	
22	8305645	3	Nut, Lock 3/8-16	
23	8305646	3	Nut, Lock 3/4-16	
24	8305906	2	Nut, Retainer 5/16-18	
25	8307104	3	Washer, Plain 3/4	
26	8307106	2	Washer, Plain 5/16	
27	8307904	AR	Washer, Shim	
28	8307918	2	Washer, Shim	
29	8310019	3	Screw, Shoulder 1/2X1-1/2X3/8-16	
30	8310026	4	Bolt, 1/4-20X3/4	
31	8310093	AR	Washer, Shim	
32	8310205	2	Bolt, Shoulder 3/4X2-1/2X5/8-11	
33	8310431	1	Washer, Lock 5/16	
34	8310497	1	Screw, Thumb 5/16-18X1-1/2	
35	8310672	3	Nut	
36	8420053	1	Cap, Dust	
37	8420055	1	Plug, Dust	
38	8526406	AR	Sealant, Varnish	
39	8642224	6	Ring, Retaining	
40	88251074	1	Bolt	
41	91403413	1	Adapter, Quick Disconnect	
42	91403414	1	Adapter, Quick Disconnect	
43	1001156009	1	Extend/Retract Cylinder (See Separate Breakdown in HYDRAULIC COMPONENTS Section)	
44	1001204045	1	Clevis, Bolt	
45	1001258911	1	Tilt Cylinder (See Separate Breakdown in HYDRAULIC COMPONENTS Section)	

SECTION 2 - BOOM

ITEM	PART NUMBER	QTY	DESCRIPTION	REV
46	1001239475	1	Assembly, Fourth Boom Section (See Separate Breakdown in this Section)	
47	1001239476	1	Assembly, Third Boom Section (See Separate Breakdown in this Section)	
48	1001239477	1	Assembly, Second Boom Section (See Separate Breakdown in this Section)	
49	1001239478	1	Assembly, First Boom Section (See Separate Breakdown in this Section)	
50	1001241567	2	Chain	
51	1001242311	1	Cover Plate	
52	1001242608	1	Chain	
53	1001242923	2	Chain	
54	1001242996	1	Assembly, Coupler (See Separate Breakdown in this Section)	
55	1001258779	AR	Washer	

SECTION 2 - BOOM

FIGURE 2-3. FOURTH BOOM SECTION ASSEMBLY



ART_1001239475-B

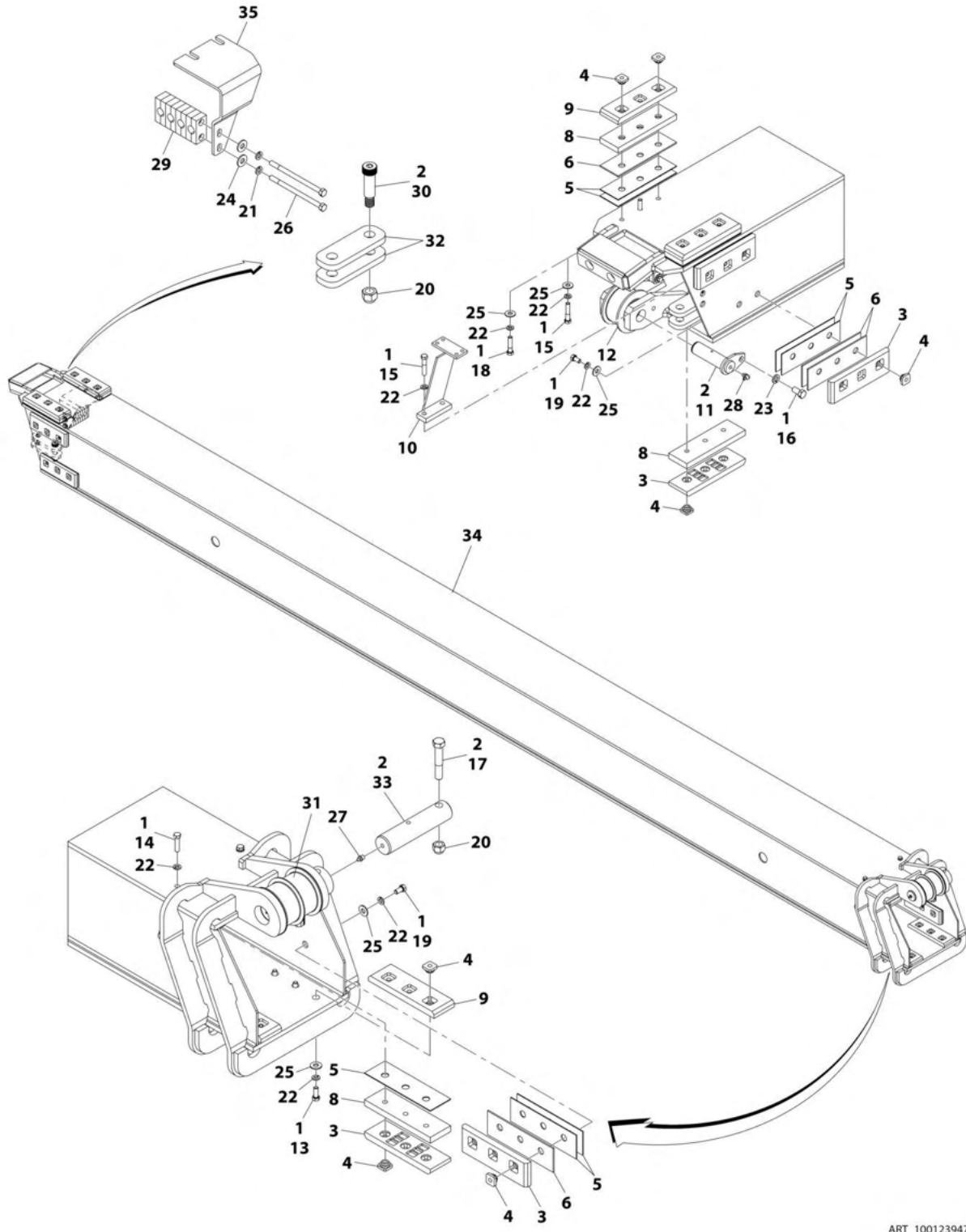
SECTION 2 - BOOM

FIGURE 2-3. FOURTH BOOM SECTION ASSEMBLY

ITEM	PART NUMBER	QTY	DESCRIPTION	REV
	1001239475	Ref	Fourth Boom Section Assembly	B
1	0100011	AR	Compound, Locking	
2	3020039	AR	Lube	
3	5746411	150 mm	Moulding	
4	7079572	5	Pad, Wear	
5	7082311	16	Insert, Wear Pad	
6	7082342	AR	Shim, Wear Pad	
7	7082362	AR	Shim, Wear Pad	
8	7096882	2	Spacer, Wear Pad	
9	7110172	2	Guide, Hose Carrier	
10	7111572	2	Pad, Wear	
11	7117031	2	Link	
12	7125811	1	Conduit, 3/4X8	
13	8303620	4	Bolt, 3/8-16X1	
14	8303621	6	Bolt, 3/8-16X1-1/2	
15	8303681	2	Bolt, 3/8-16X3/4	
16	8303738	10	Bolt, 3/8-16X7/8	
17	8305645	7	Nut, Lock 3/8-16	
18	8307005	16	Washer, Lock 3/8	
19	8307204	12	Washer, 3/8	
20	8310019	1	Screw, Shoulder 1/2X1-1/2X3/8-16	
21	8520001	2	Fitting, Straight Lube 1/8	
22	1001242203	1	Boom, Fourth Section	
23	1001242303	1	Bracket, Hose Support	
24	1001242305	2	Bracket, Hose Side Support	
25	1001248777	1	Bracket, Hose Carrier Support	
26	0641511	1	Bolt, 5/16-18X1-3/8	
27	8769122	1	Clamp Set, Twin 5/8	
28	8769123	1	Cover Plate, Twin	

SECTION 2 - BOOM

FIGURE 2-4. THIRD BOOM SECTION ASSEMBLY



ART_1001239476-B

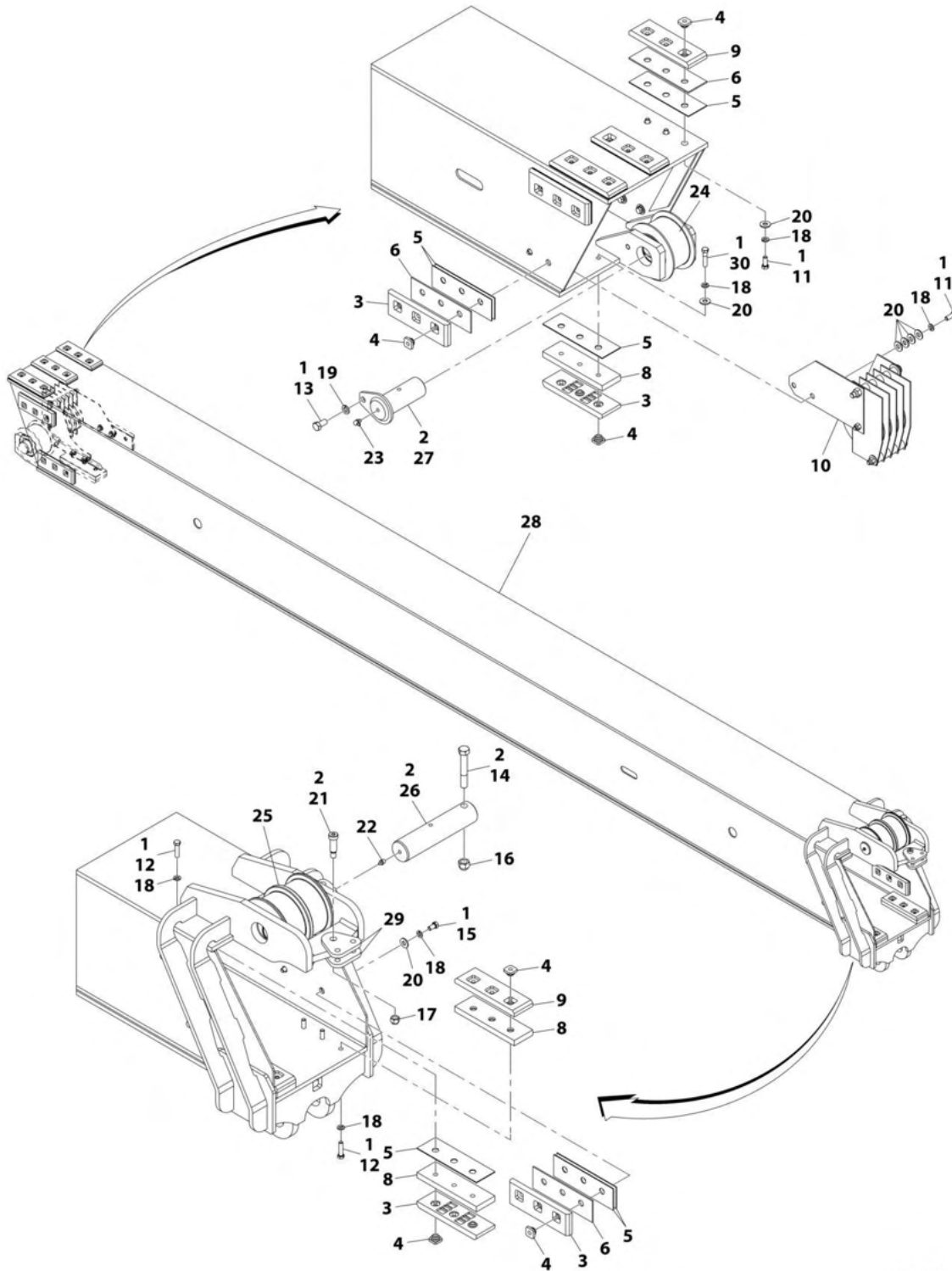
SECTION 2 - BOOM

FIGURE 2-4. THIRD BOOM SECTION ASSEMBLY

ITEM	PART NUMBER	QTY	DESCRIPTION	REV
	1001239476	Ref	Third Boom Section Assembly	B
1	0100011	AR	Compound, Locking	
2	3020039	AR	Lube	
3	7079572	11	Pad, Wear	
4	7082311	34	Insert, Wear Pad	
5	7082342	AR	Shim, Wear Pad	
6	7082362	AR	Shim, Wear Pad	
8	7096882	5	Spacer, Wear Pad	
9	7111572	4	Pad, Wear	
10	7112732	1	Support, Hose Clamp	
11	7138977	1	Pin, Retract Chain Sheave	
12	7138986	1	Sheave, Retract Chain	
13	8303620	6	Bolt, 3/8-16X1	
14	8303621	4	Bolt, 3/8-16X1-1/2	
15	8303622	4	Bolt, 3/8-16X2	
16	8303624	1	Bolt, 1/2-13X1	
17	8303633	1	Bolt	
18	8303679	4	Bolt, 3/8-16X1-3/4	
19	8303681	16	Bolt, 3/8-16X3/4	
20	8305643	2	Nut, Lock 5/8-11	
21	8307004	2	Washer, Lock 5/16	
22	8307005	34	Washer, Lock 3/8	
23	8307007	1	Washer, Lock 1/2	
24	8307203	2	Washer, 5/16	
25	8307204	28	Washer, 3/8	
26	8310081	2	Bolt, 5/16-18X5	
27	8520001	1	Fitting, Straight Lube 1/8	
28	8520003	1	Fitting, 90 Lube 1/8	
29	8750003	8	Clamp, Half 5/8	
31	1001168567	1	Roller, Extend Chain	
31	0440296	2	Bearing	
32	1001241369	2	Chain, Retract Anchor	
33	1001241541	1	Pin, Extended	
34	1001242070	1	Boom, Third Section	
35	1001242583	1	Bracket, Hose Clamp	

SECTION 2 - BOOM

FIGURE 2-5. SECOND BOOM SECTION ASSEMBLY



ART_1001239477-B

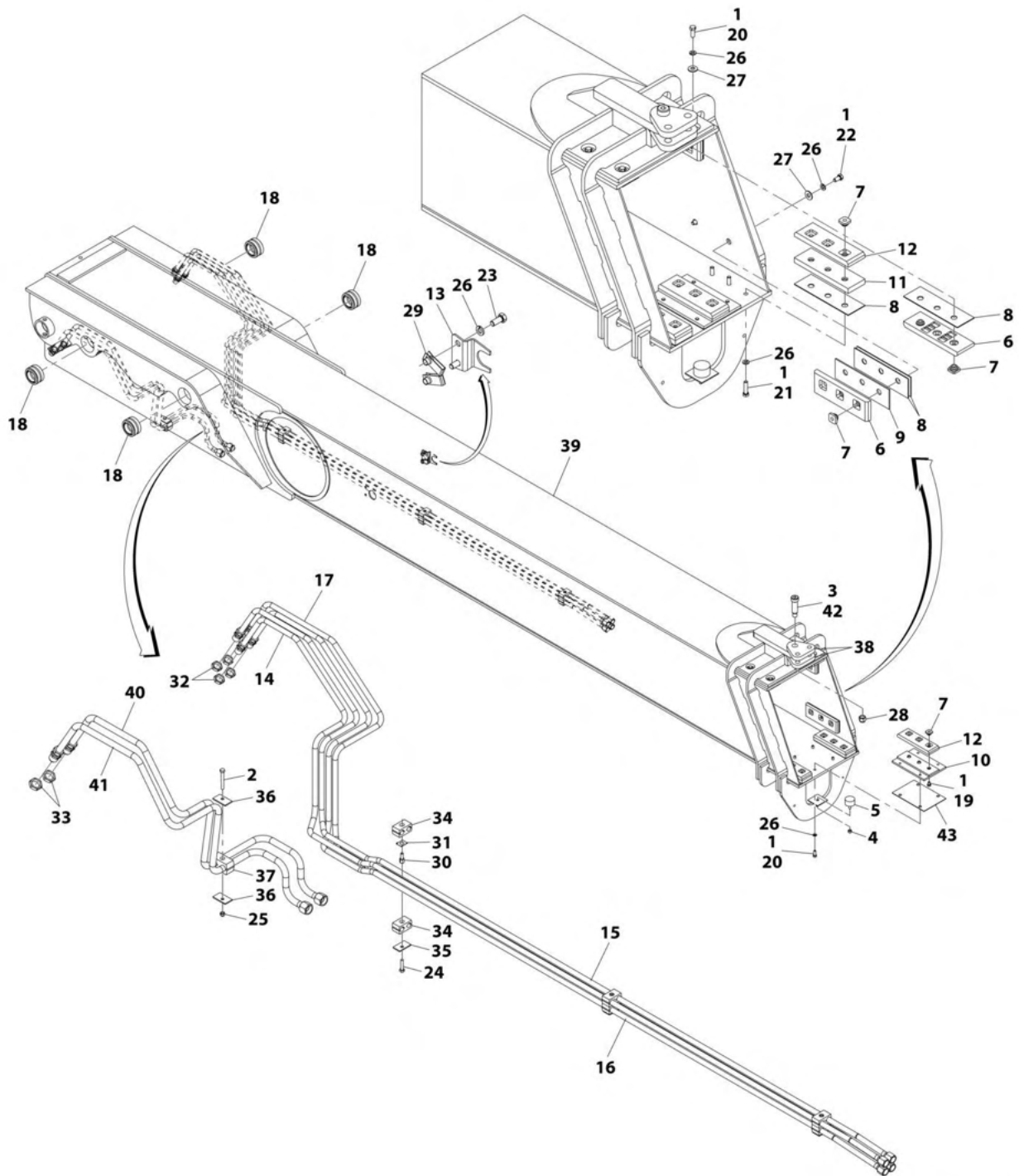
SECTION 2 - BOOM

FIGURE 2-5. SECOND BOOM SECTION ASSEMBLY

ITEM	PART NUMBER	QTY	DESCRIPTION	REV
	1001239477	Ref	Second Boom Section Assembly	B
1	0100011	AR	Compound, Locking	
2	3020039	AR	Lube	
3	7079572	11	Pad, Wear	
4	7082311	36	Insert, Wear Pad	
5	7082342	AR	Shim, Wear Pad	
6	7082362	AR	Shim, Wear Pad	
8	7096882	5	Spacer, Wear Pad	
9	7111572	5	Pad, Wear	
10	7116733	1	Assembly, Hose Pulley (See Separate Breakdown in this Section)	
11	8303620	10	Bolt, 3/8-16X1	
12	8303621	10	Bolt, 3/8-16X1-1/2	
13	8303624	1	Bolt, 1/2-13X1	
14	8303634	1	Bolt, 5/8-11X4	
15	8303681	14	Bolt, 3/8-16X3/4	
16	8305643	1	Nut, Lock 5/8-11	
17	8305644	1	Nut, Lock 1/2-13	
18	8307005	36	Washer, Lock 3/8	
19	8307007	1	Washer, Lock 1/2	
20	8307204	34	Washer, Plain 3/8	
21	8310020	1	Screw, Shoulder 5/8X1-1/2X1/2-13	
22	8520001	1	Fitting, Straight Lube 1/8	
23	8520003	1	Fitting, 90 Lube 1/8	
24	1001101867	1	Sheave with Bushings	
24	7117502	2	Bushing	
25	1001168286	1	Roller, Extend Chain with Bushings	
25	1001167025	2	Bushing	
26	1001241438	1	Pin, Extended	
27	1001241480	1	Pin, Retract Weldment	
28	1001242051	1	Boom, Second Section	
29	1001242310	2	Bracket, Sheave	
30	8303679	2	Bolt, 3/8-16X1-3/4	

SECTION 2 - BOOM

FIGURE 2-6. FIRST BOOM SECTION ASSEMBLY



ART_1001239478-B

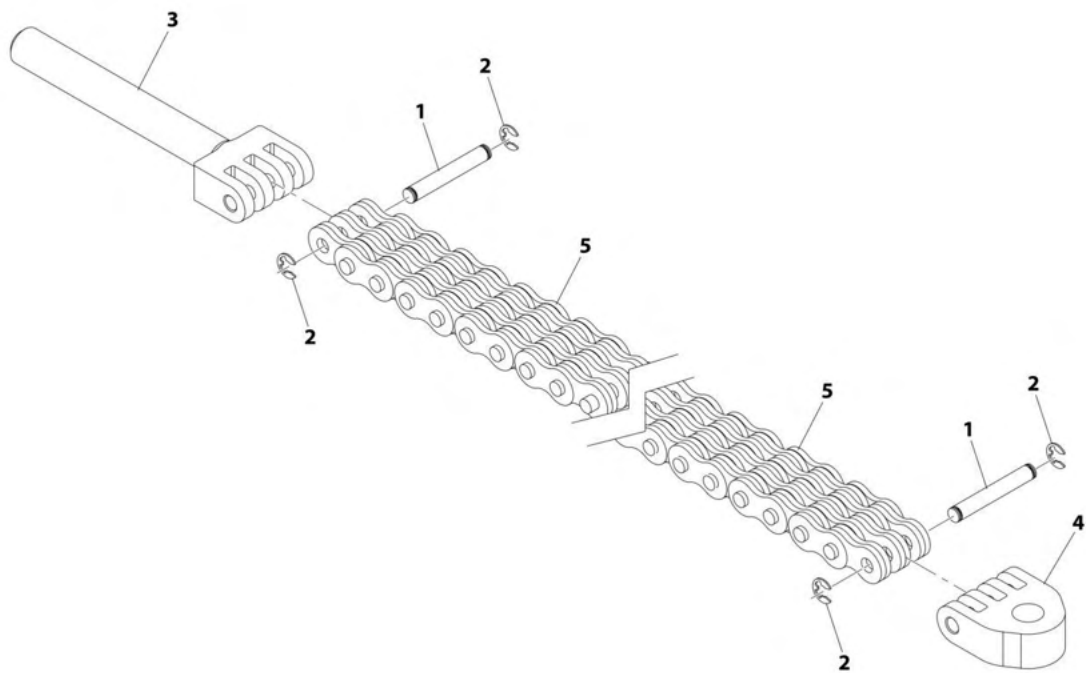
SECTION 2 - BOOM

FIGURE 2-6. FIRST BOOM SECTION ASSEMBLY

ITEM	PART NUMBER	QTY	DESCRIPTION	REV
	1001239478	Ref	First Boom Section Assembly	B
1	0100011	AR	Compound, Locking	
2	0641520	1	Bolt, 5/16-18X2-1/2	
3	3020039	AR	Lube	
4	3311601	1	Nut, 3/8-16	
5	5724622	1	Bumper, Rubber	
6	7079572	6	Pad, Wear	
7	7082311	21	Insert, Wear Pad	
8	7082342	AR	Shim, Wear Pad	
9	7082362	AR	Shim, Wear Pad	
10	7096772	1	Spacer, Wear Pad	
11	7096882	2	Spacer, Wear Pad	
12	7111572	3	Pad, Wear	
13	7138468	1	Clip	
14	7300672	1	Tube	
15	7300673	1	Tube	
16	7300674	1	Tube	
17	7300675	1	Tube	
18	8065640	4	Bearing, Spherical	
19	8303041	3	Bolt, 3/8-16X1/2	
20	8303620	8	Bolt, 3/8-16X1	
21	8303621	6	Bolt, 3/8-16X1-1/2	
22	8303681	8	Bolt, 3/8-16X3/4	
23	8303738	2	Bolt, 3/8-16X7/8	
24	0641511	3	Bolt, 5/16-18X1-3/8	
25	8305626	1	Nut, Lock 5/16-18	
26	8307005	24	Washer, Lock 3/8	
27	8307204	12	Washer, 3/8	
28	8310067	1	Nut, Lock 3/4-10	
29	8310113	2	Nut, Cage 3/8-16	
30	8750011	3	Bolt, Stacking 5/16	
31	8750017	3	Plate, Twin Clamp Locking	
32	8760465	4	Adapter, Bulkhead Nut	
33	8760468	2	Adapter, Bulkhead Nut	
34	8769122	6	Clamp Set, Twin 5/8	
35	8769123	3	Cover Plate, Twin	
36	8769128	2	Cover Plate, Twin	
37	8769139	1	Clamp Set, Twin 3/4	
38	1001241368	2	Bracket, Sheave	
39	1001242036	1	Boom, First Section	
40	1001242308	1	Pipe, Telescopic Extend	
41	1001242309	1	Pipe, Telescopic Retract	
42	1001242316	1	Bolt	
43	1001250718	1	Shim, Wear Pad	

SECTION 2 - BOOM

FIGURE 2-7. EXTEND CHAIN ASSEMBLY



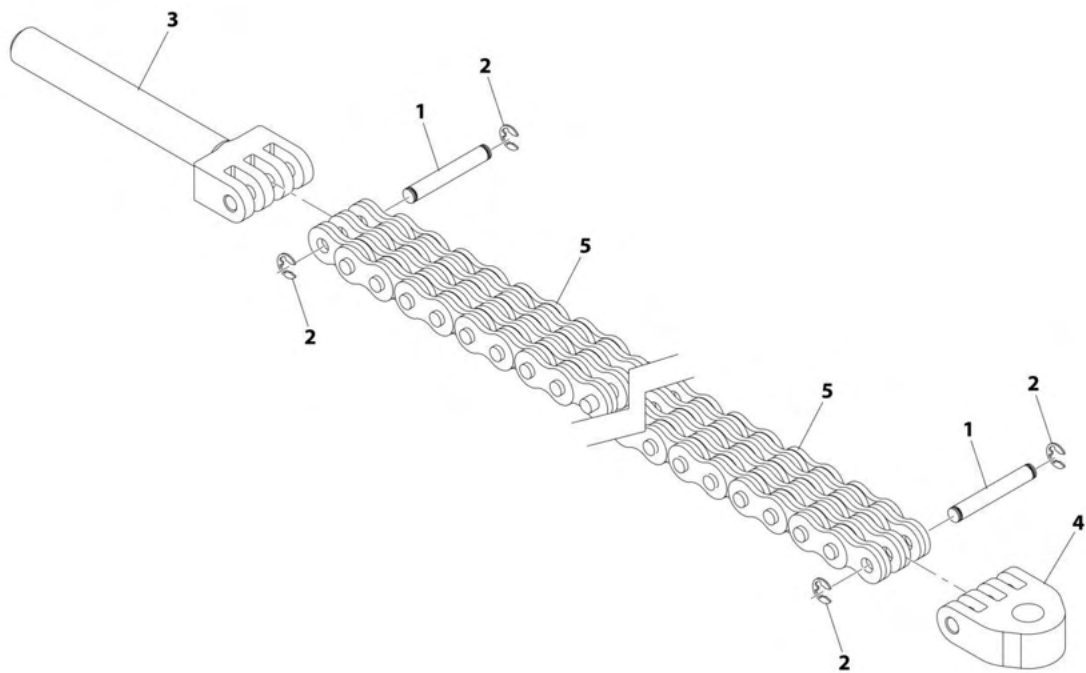
ART_1001241567-A

FIGURE 2-7. EXTEND CHAIN ASSEMBLY

ITEM	PART NUMBER	QTY	DESCRIPTION	REV
	1001241567	Ref	Extend Chain Assembly	A
1	1001163841	2	Pin, Chain Clevis	
2	1001164039	4	Ring, External	
3	1001165590	1	Clevis Chain	
4	1001239967	1	Clevis Chain	
5	1001241549	1	Chain	

SECTION 2 - BOOM

FIGURE 2-8. RETRACT CHAIN ASSEMBLY



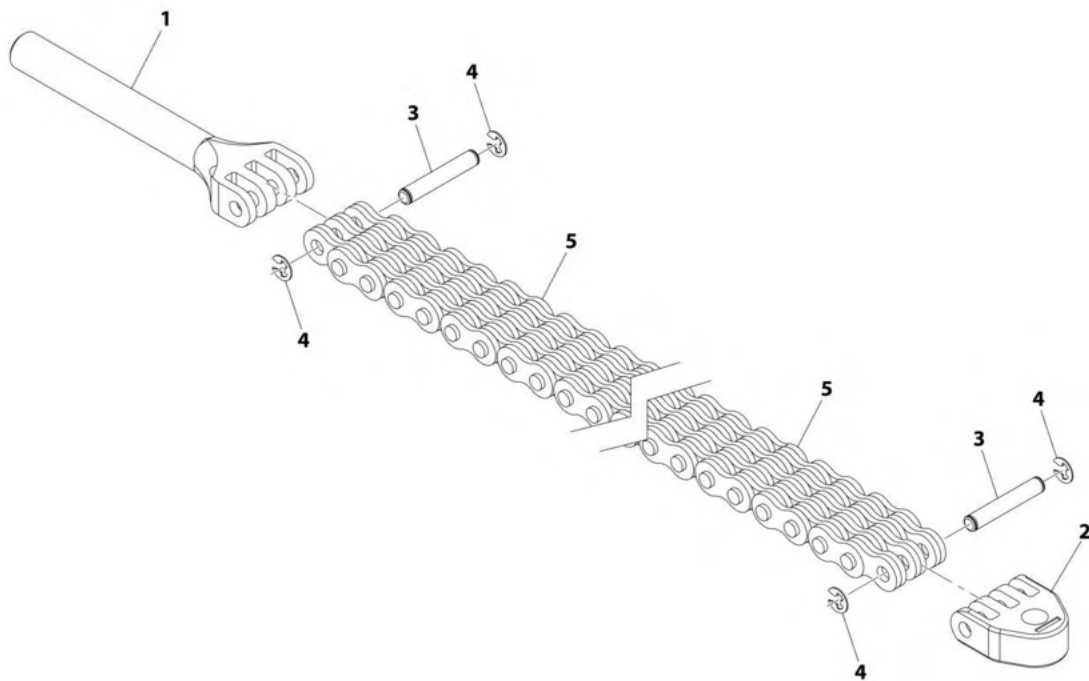
ART_1001242608-B

FIGURE 2-8. RETRACT CHAIN ASSEMBLY

ITEM	PART NUMBER	QTY	DESCRIPTION	REV
	1001242608	Ref	Retract Chain Assembly	B
1	1001163841	2	Pin, Chain Clevis	
2	1001164039	4	Ring, External	
3	1001165590	1	Chain Clevis	
4	1001239967	1	Chain Clevis	
5	1001242609	1	Chain	

SECTION 2 - BOOM

FIGURE 2-9. EXTEND CHAIN ASSEMBLY



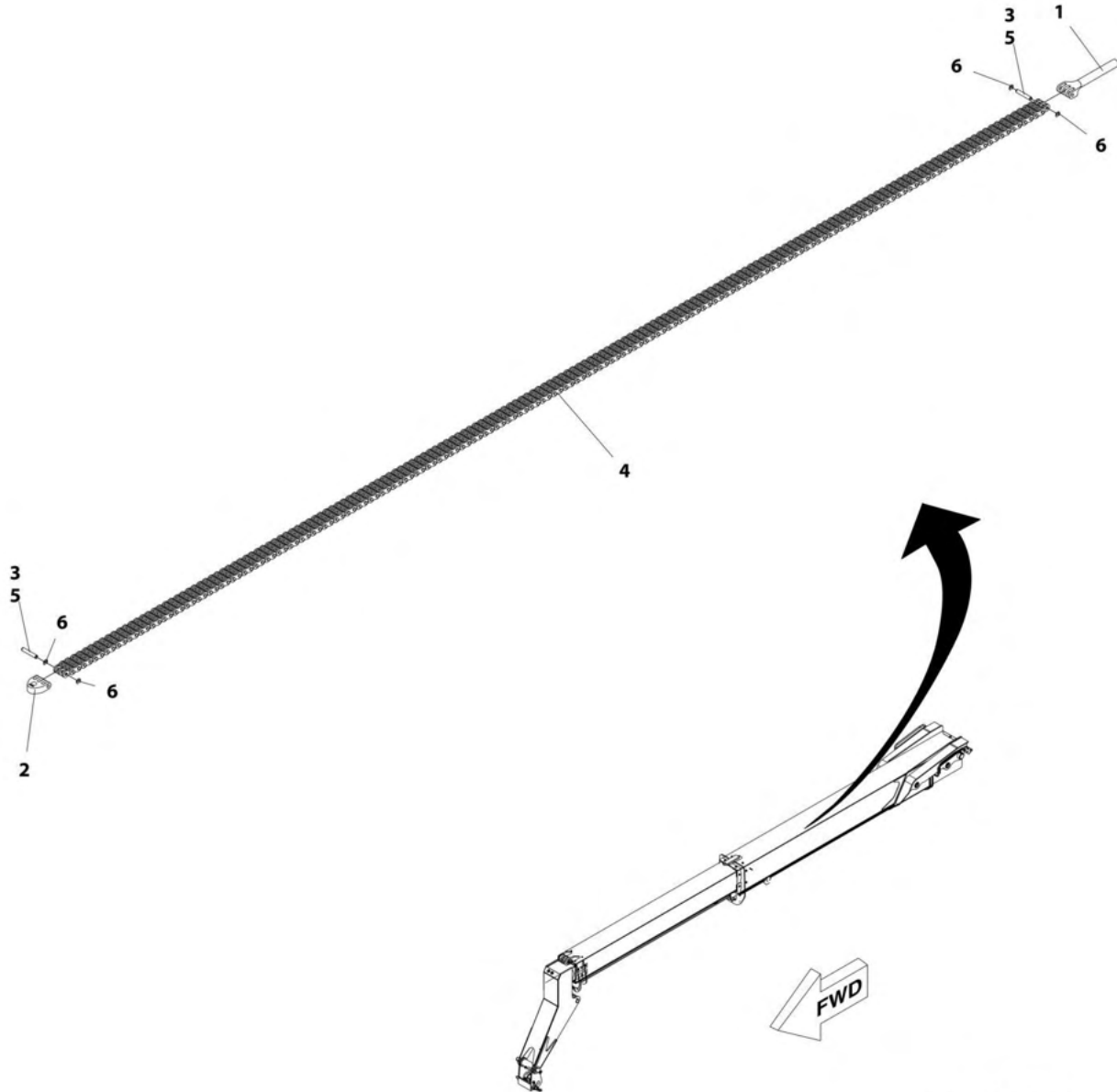
ART_1001242923-A

FIGURE 2-9. EXTEND CHAIN ASSEMBLY

ITEM	PART NUMBER	QTY	DESCRIPTION	REV
	1001242923	Ref	Extend Chain Assembly	A
1	7139032	1	Clevis, Female Anchor	
2	7139416	1	Clevis, Female Anchor	
3	8124138	2	Pin, Chain Clevis	
4	8642237	4	Ring, Retaining	
5	1001242924	1	Chain	

SECTION 2 - BOOM

FIGURE 2-10. RETRACT CHAIN AND CLEVIS ASSEMBLY



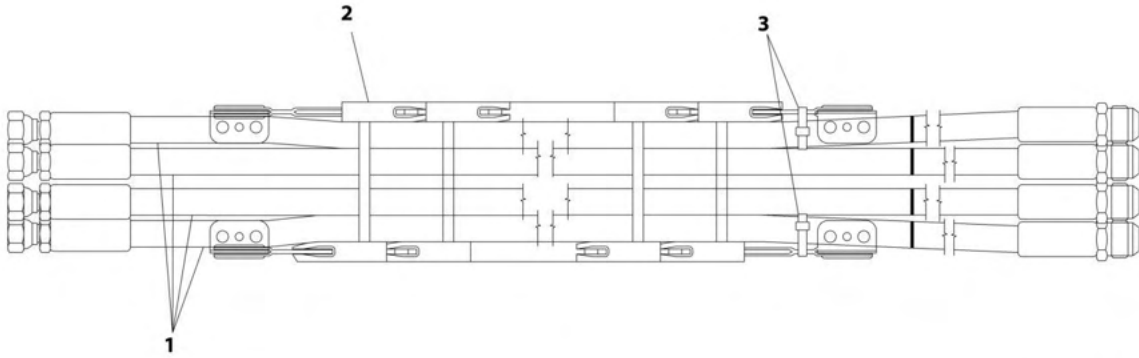
ART_7139692_B

FIGURE 2-10. RETRACT CHAIN AND CLEVIS ASSEMBLY

ITEM	PART NUMBER	QTY	DESCRIPTION	REV
	7139692	Ref	Chain and Clevis Assembly	B
1	7139032	1	Clevis, Female Anchor	
2	7139416	1	Clevis, Female Anchor	
3	8124138	2	Pin, Chain Clevis	
4	8127024	1	Chain, Leaf	
5	8522012	AR	Lube, Anti-Seize	
6	8642237	4	Ring, Retaining	

SECTION 2 - BOOM

FIGURE 2-11. HOSE AND CARRIER ASSEMBLY



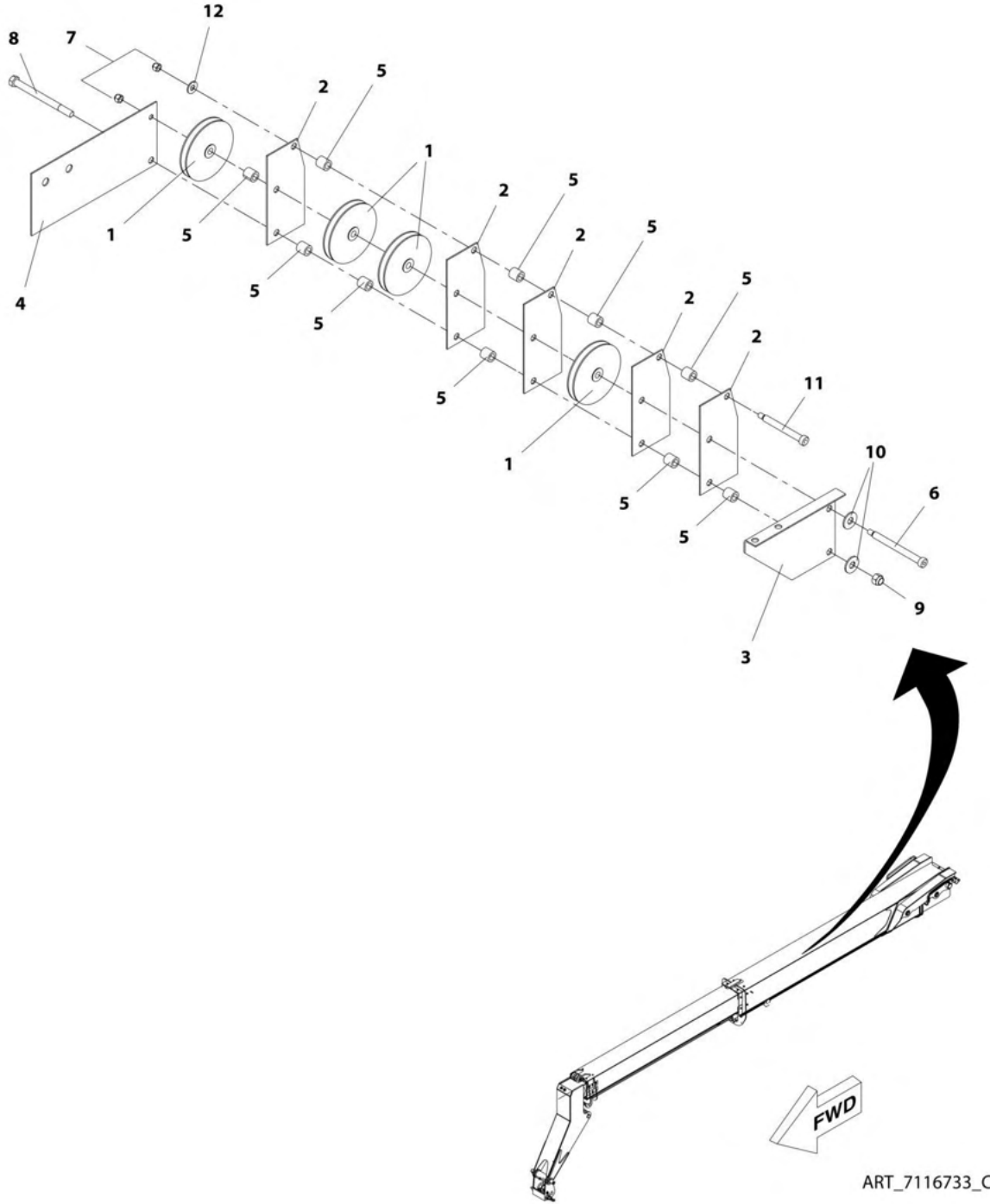
ART_7112452-G

FIGURE 2-11. HOSE AND CARRIER ASSEMBLY

ITEM	PART NUMBER	QTY	DESCRIPTION	REV
	7112452	Ref	Hose and Carrier Assembly	G
1	2713642	4	Hose	
2	8584021	1	Carrier, Hose	
3	8584001	2	Wrap, Tie 3/16	

SECTION 2 - BOOM

FIGURE 2-12. HOSE PULLEY ASSEMBLY



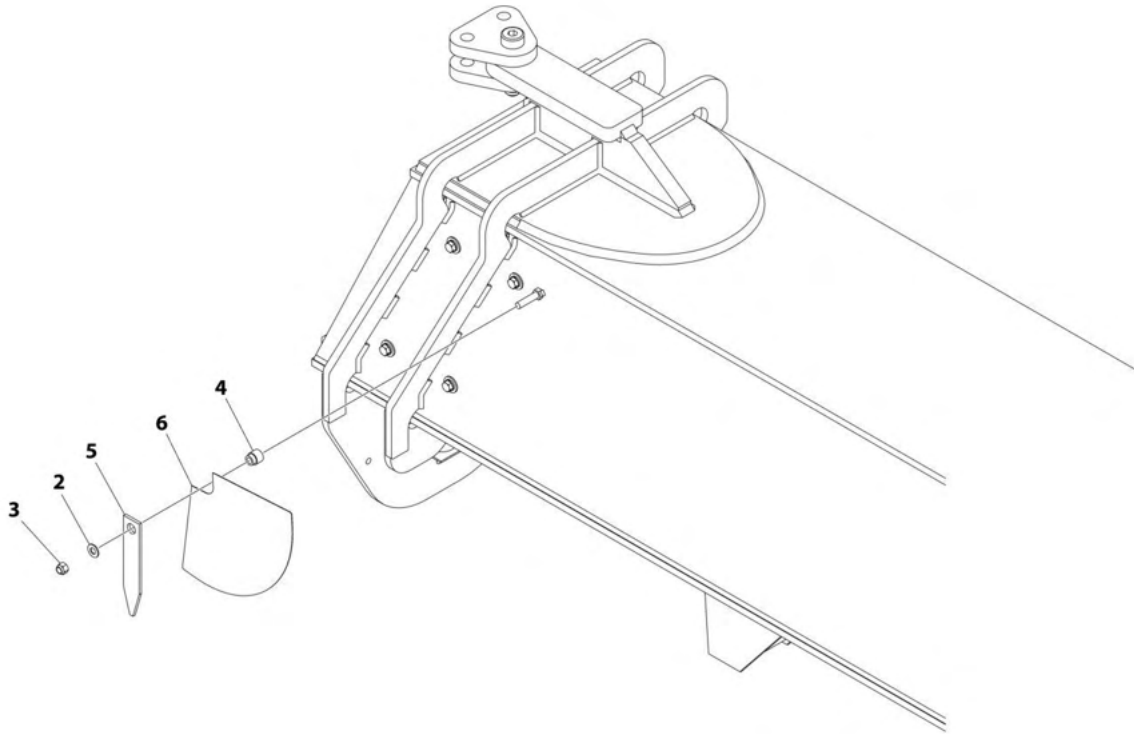
ART_7116733_C

FIGURE 2-12. HOSE PULLY ASSEMBLY

ITEM	PART NUMBER	QTY	DESCRIPTION	REV
	7116733	Ref	Hose Pulley Assembly	C
1	7116812	4	Wheel, Roller	
2	7116642	5	Divider	
3	7116652	1	Bracket, RH	
4	7116662	1	Bracket, LH	
5	7116691	10	Spacer	
6	8310235	1	Screw, Shoulder 1/2X5	
7	8305645	2	Nut, Lock 3/8-16	
8	8310209	1	Bolt, 1/2-13X6	
9	8305644	1	Nut, Lock 1/2-13	
10	8307206	2	Washer, Plain 1/2	
11	8310245	1	Screw, Shoulder 1/2X4	
12	8307204	1	Washer, Plain 3/8	

SECTION 2 - BOOM

FIGURE 2-13. MECHANICAL BOOM ANGLE INDICATOR



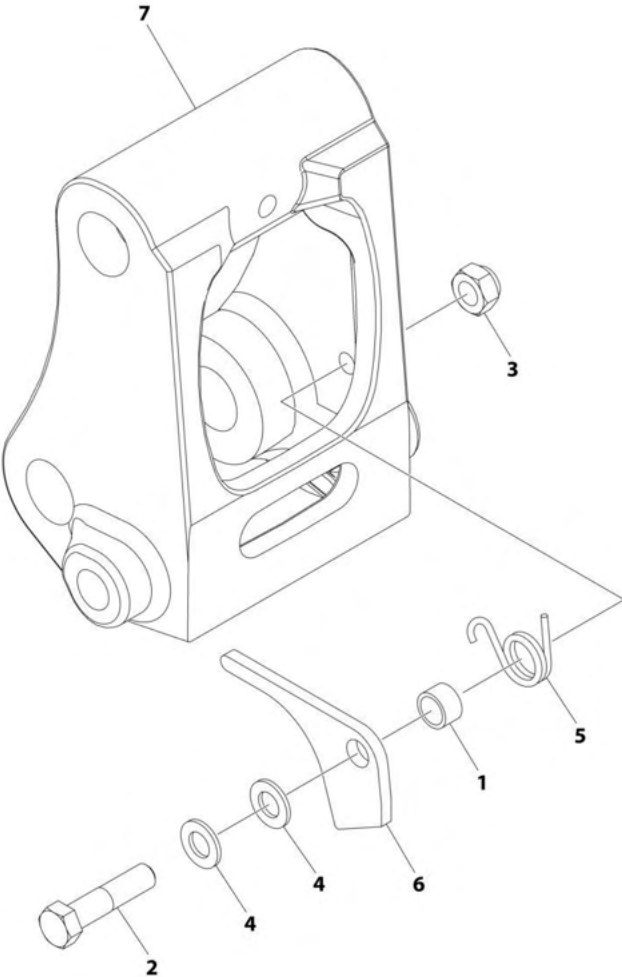
ART_1001242682_C

FIGURE 2-13. MECHANICAL BOOM ANGLE INDICATOR

ITEM	PART NUMBER	QTY	DESCRIPTION	REV
	1001242682	Ref	Mechanical Boom Angle Indicator	C
2	4711600	1	Washer, 3/8	
3	8305645	1	Nut, Lock 3/8-16	
4	1001096404	1	Sleeve, Angle Indicator Spacer	
5	1001098769	1	Plate, Boom Angle Indicator	
6	4105262	1	Decal, Boom Angle Indicator	

SECTION 2 - BOOM

FIGURE 2-14. COUPLER ASSEMBLY



ART_1001242996_C

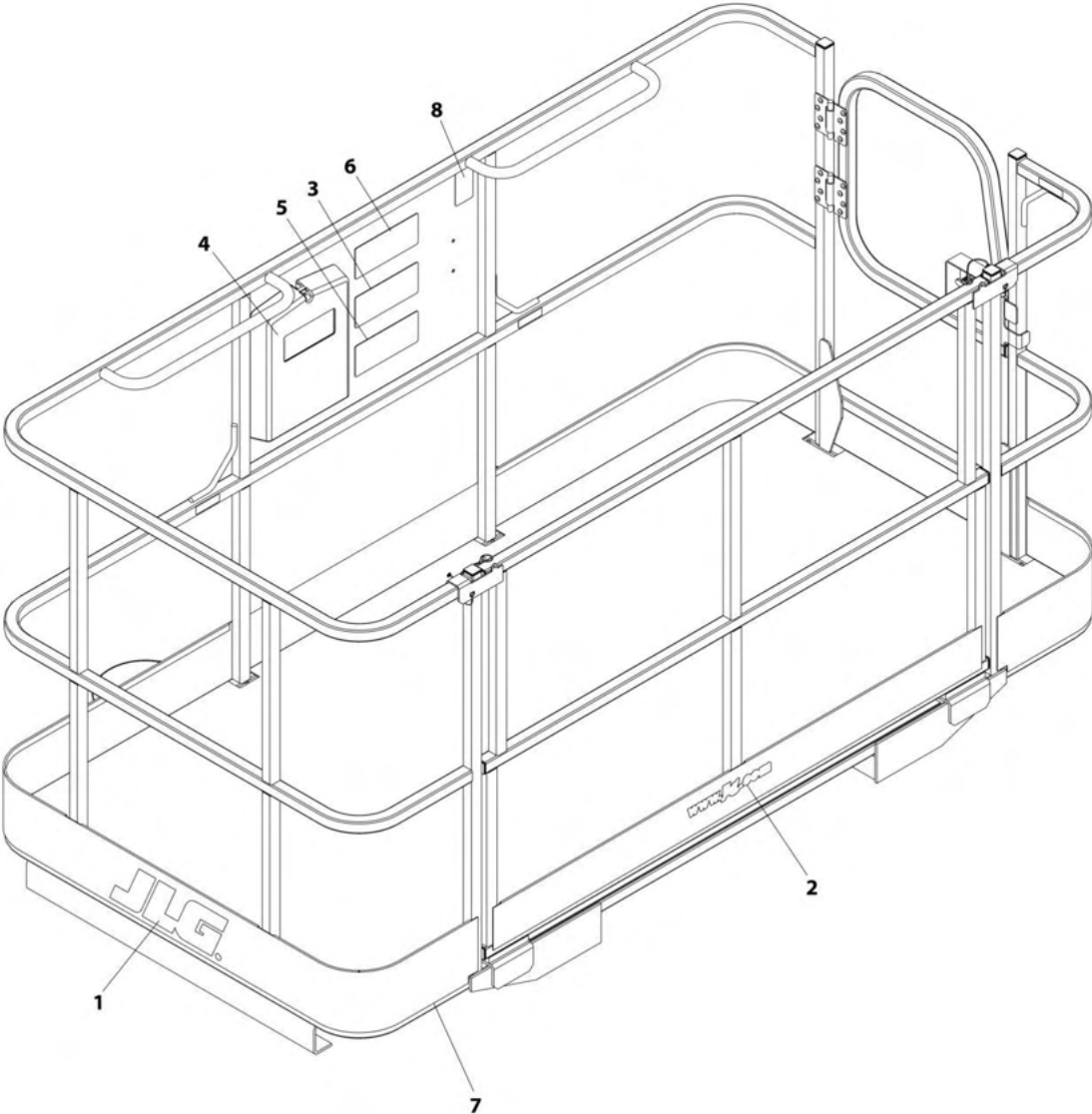
FIGURE 2-14. COUPLER ASSEMBLY

ITEM	PART NUMBER	QTY	DESCRIPTION	REV
	1001242996	Ref	COUPLER ASSEMBLY	C
1	7085571	1	Spacer	
2	8303640	1	Bolt	
3	8305619	1	Nut 3/4	
4	8307104	2	Washer 3/4	
5	1001243025	1	Spring, Torsion	
6	1001243026	1	Plate, Pin Latch	
7	1001243219	1	Coupler, Link	

SECTION 3 - ATTACHMENTS

SECTION 3 - ATTACHMENTS

FIGURE 3-1. BASKET, PERSONNEL (1.2MX2.4M) (DOMESTIC)



ART_1001238653-A

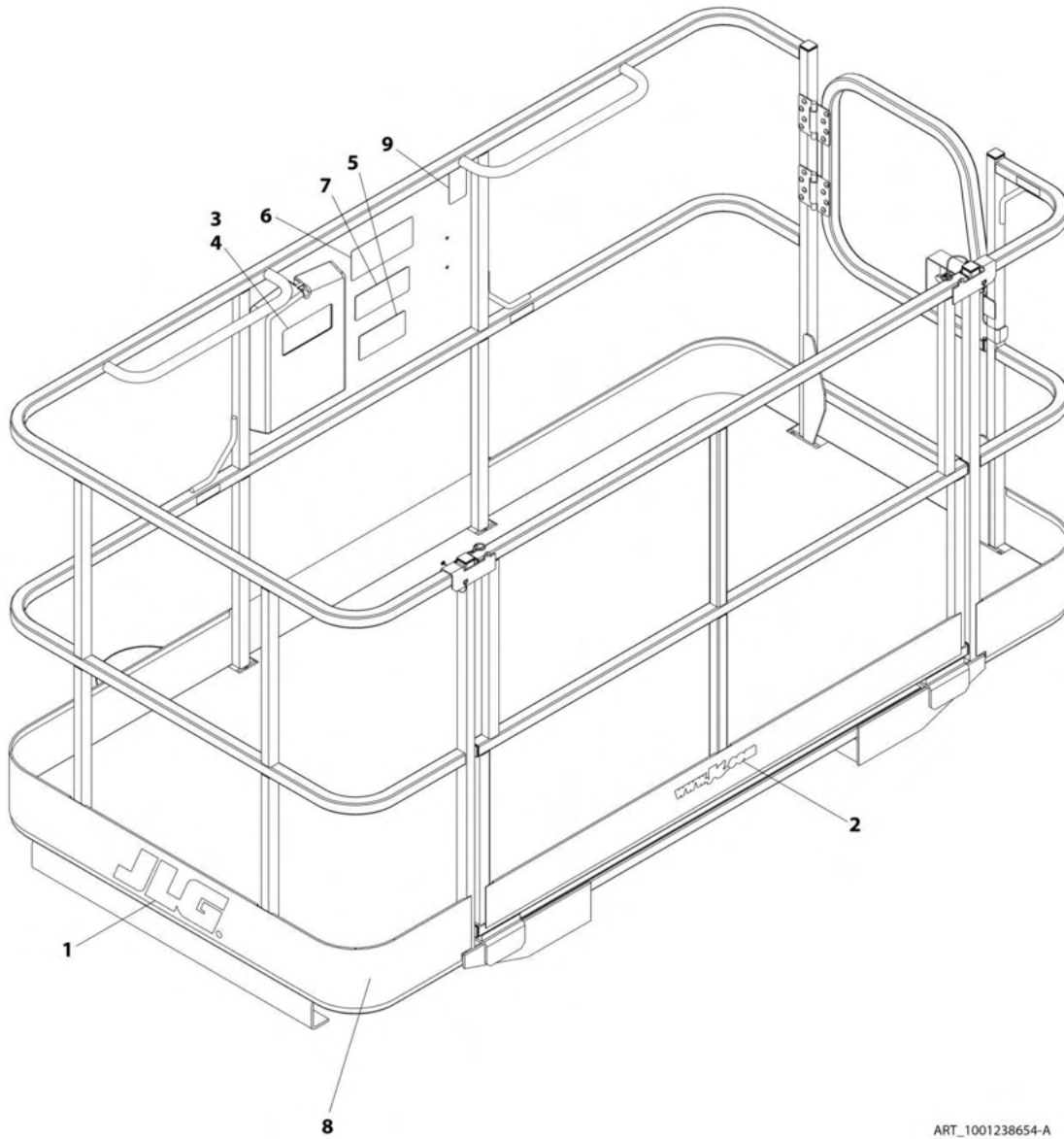
SECTION 3 - ATTACHMENTS

FIGURE 3-1. BASKET, PERSONNEL (1.2MX2.4M) (DOMESTIC)

ITEM	PART NUMBER	QTY	DESCRIPTION	REV
	1001238653	Ref	FORK MOUNTED PLATFORM	A
1	1702773	2	Decal, JLG	
2	1704885	1	Decal, Website	
3	1706892	1	Decal, Platform Warning	
4	31200160	1	Manual, Personnel Work Platform Operation and Safety	
5	1001092481	1	Decal, Warning Attachment	
6	1001092482	1	Decal, Platform Capacity	
7	1001238565	1	Platform, Fork Mounted (See Separate Breakdown in this Section)	
8	See Note	NSS	SN Plate (Note: Stamped Part - Not Available for Purchase)	

SECTION 3 - ATTACHMENTS

FIGURE 3-2. BASKET, PERSONNEL (1.2MX2.4M) (ISO)



ART_1001238654-A

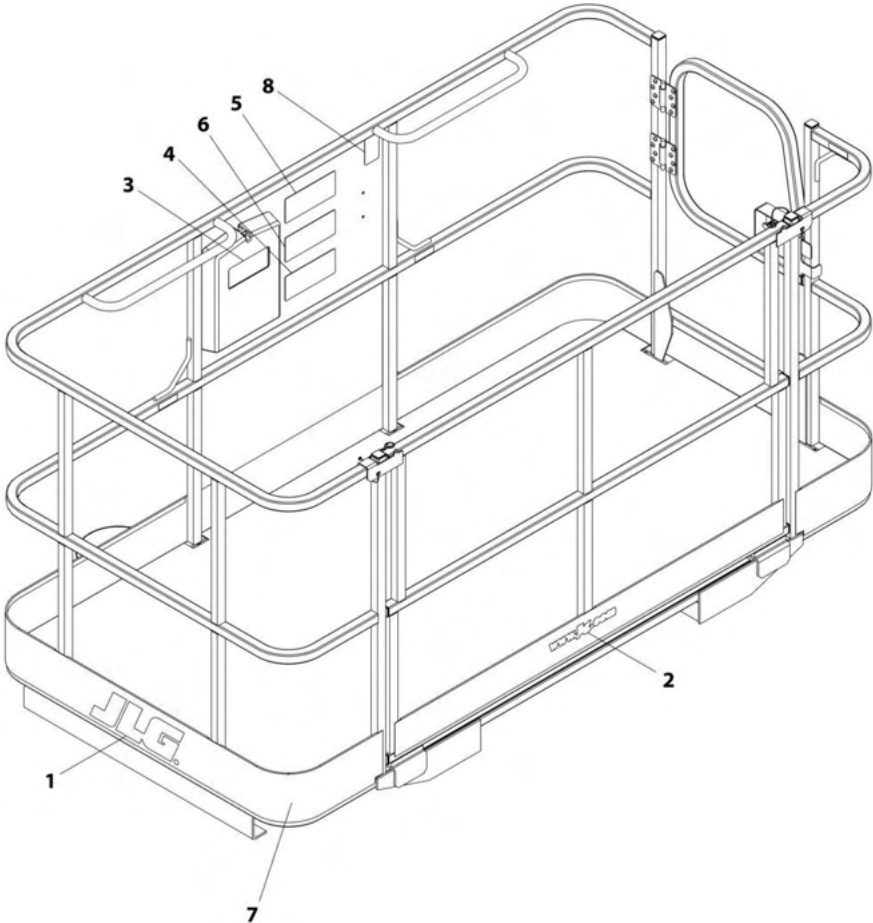
SECTION 3 - ATTACHMENTS

FIGURE 3-2. BASKET, PERSONNEL (1.2MX2.4M) (ISO)

ITEM	PART NUMBER	QTY	DESCRIPTION	REV
	1001238654	Ref	BASKET, PERSONNEL	A
1	1702773	2	Decal, JLG	
2	1704885	1	Decal, Website	
3	31200387	1	Manual, Operation and Safety, Spanish	
4	31200388	1	Manual, Operation and Safety, Portuguese	
5	1001096021	1	Decal, Warning Attachment	
6	1001096023	1	Decal, Platform Capacity	
7	1001096025	1	Decal, Platform Warning	
8	1001238565	1	Platform, Fork Mounted (ANSI) (See Separate Breakdown in this Section)	
9	See Note	NSS	SN Plate (Note: Stamped Part - Not Available for Purchase)	

SECTION 3 - ATTACHMENTS

FIGURE 3-3. BASKET, PERSONNEL (1.2MX2.4M) (FRENCH LANGUAGE)



ART_1001238655-A

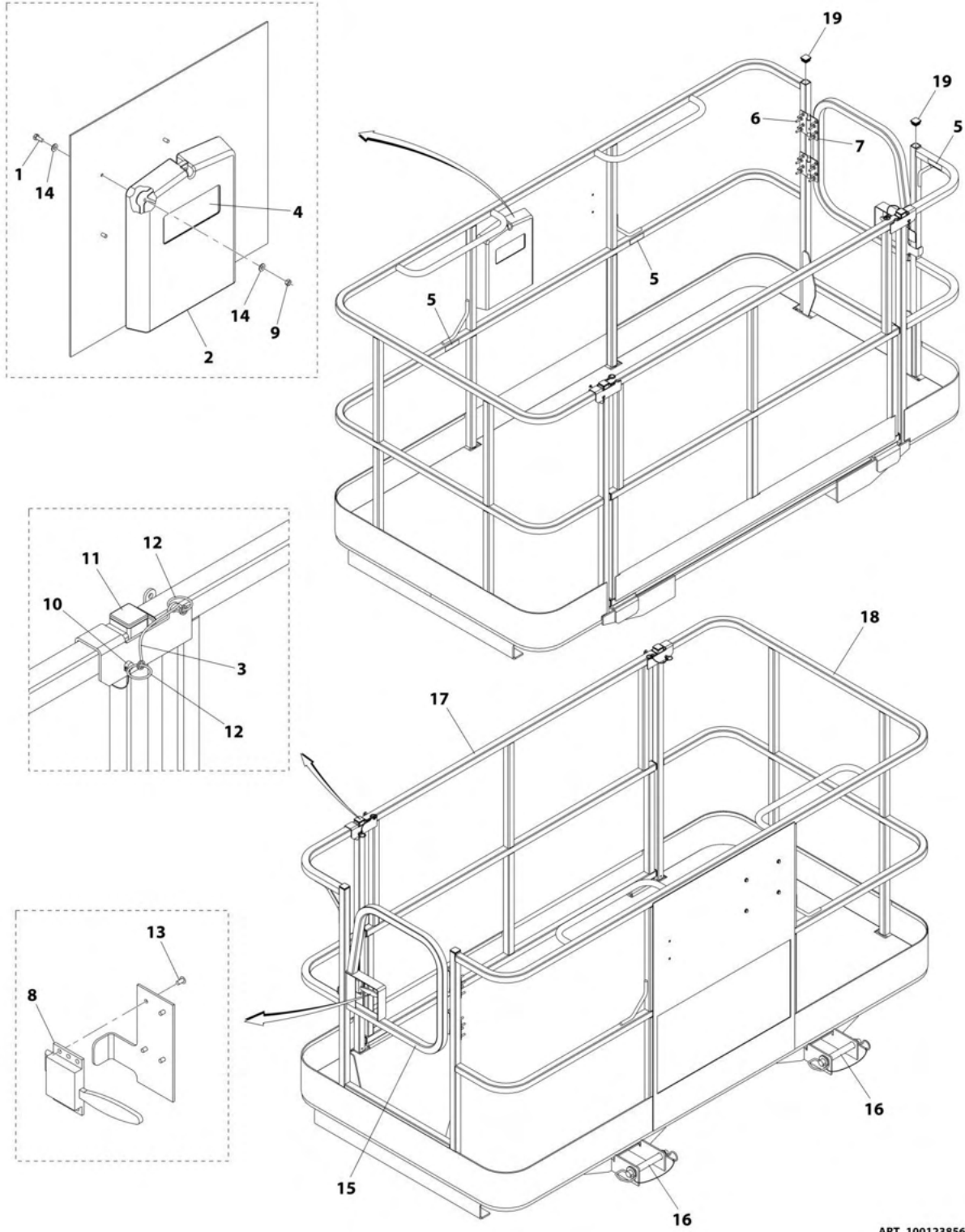
SECTION 3 - ATTACHMENTS

FIGURE 3-3. BASKET, PERSONNEL (1.2MX2.4M) (FRENCH LANGUAGE)

ITEM	PART NUMBER	QTY	DESCRIPTION	REV
	1001238655	Ref	BASKET, PERSONNEL	A
1	1702773	2	Decal, JLG	
2	1704885	1	Decal, Website	
3	31200386	1	Manual, Operation and Safety (French)	
4	1001096019	1	Decal, Warning Attachment (French)	
5	1001096020	1	Decal, Platform Capacity (French)	
6	1001096024	1	Decal, Platform Warning (French)	
7	1001238565	1	Platform, Fork Mounted (ANSI) (See Separate Breakdown in this Section)	
8	See Note	NSS	SN Plate (Note: Stamped Part - Not Available for Purchase)	

SECTION 3 - ATTACHMENTS

FIGURE 3-4. BASKET ASSEMBLY



ART_1001238565

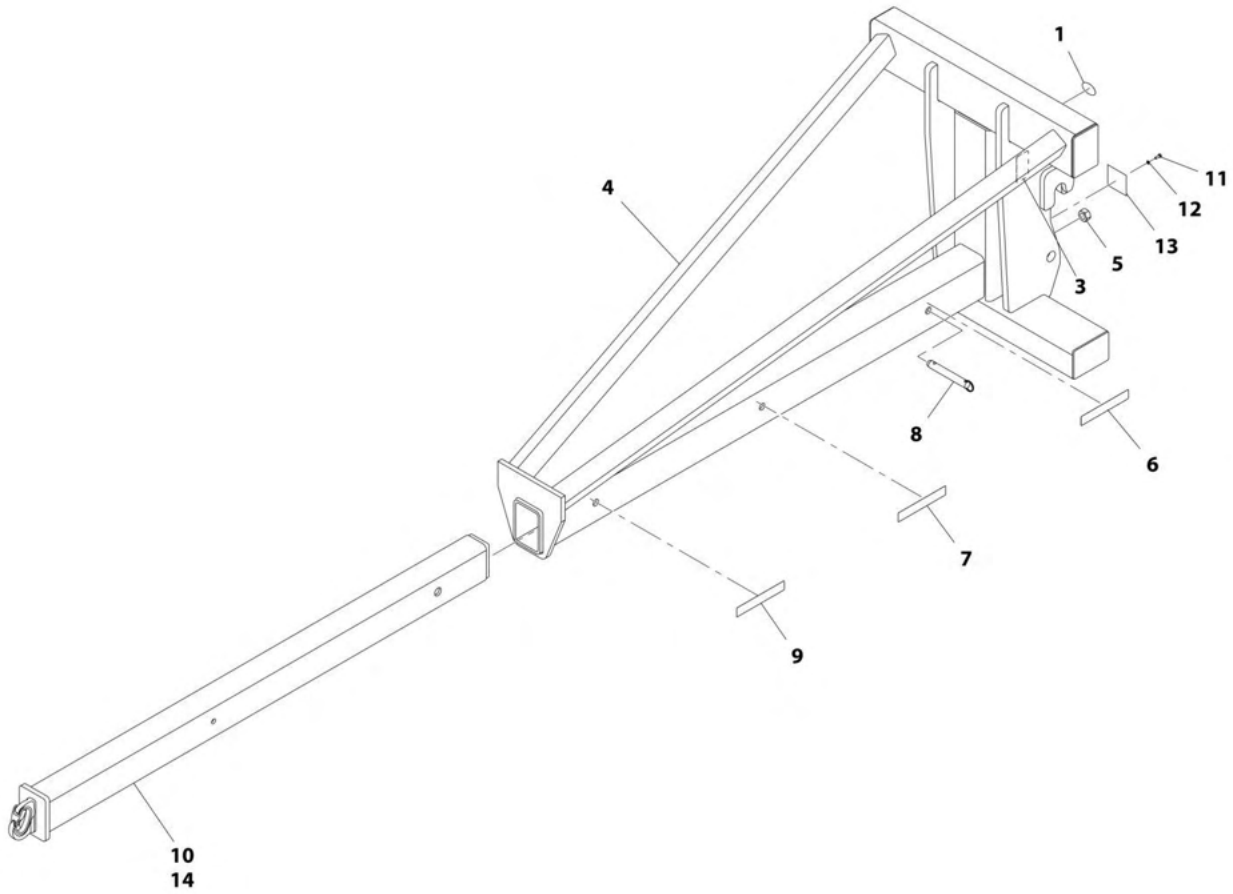
SECTION 3 - ATTACHMENTS

FIGURE 3-4. BASKET ASSEMBLY

ITEM	PART NUMBER	QTY	DESCRIPTION	REV
	1001238565	Ref	FORK MOUNTED PLATFORM ASSEMBLY	D
1	0641405	4	Bolt 1/4 x 5/8	
2	0860520	1	Box, Manual Storage	
3	1060379	2	Cable, Lanyard	
4	1701509	1	Decal, Manual	
5	1704277	3	Decal, Lanyard Attach	
6	2080040	16	Fastener	
7	2600281	2	Hinge	
8	2940074	1	Latch	
9	3311405	4	Nut 1/4	
10	3421453	2	Pin	
11	3520072	7	Plug	
12	3760170	4	Ring	
13	3820020	4	Rivet	
14	4711400	8	Washer 1/4	
15	1001144629J	1	Gate	
16	1001238560	2	Pin, Hitch	
17	1001095810	1	Gate	
18	See Note	NSS	Platform, Fork Mounted	
19	3520198	4	Plug	

SECTION 3 - ATTACHMENTS

FIGURE 3-5. BOOM - ADJUSTABLE



ART_1001176515-C

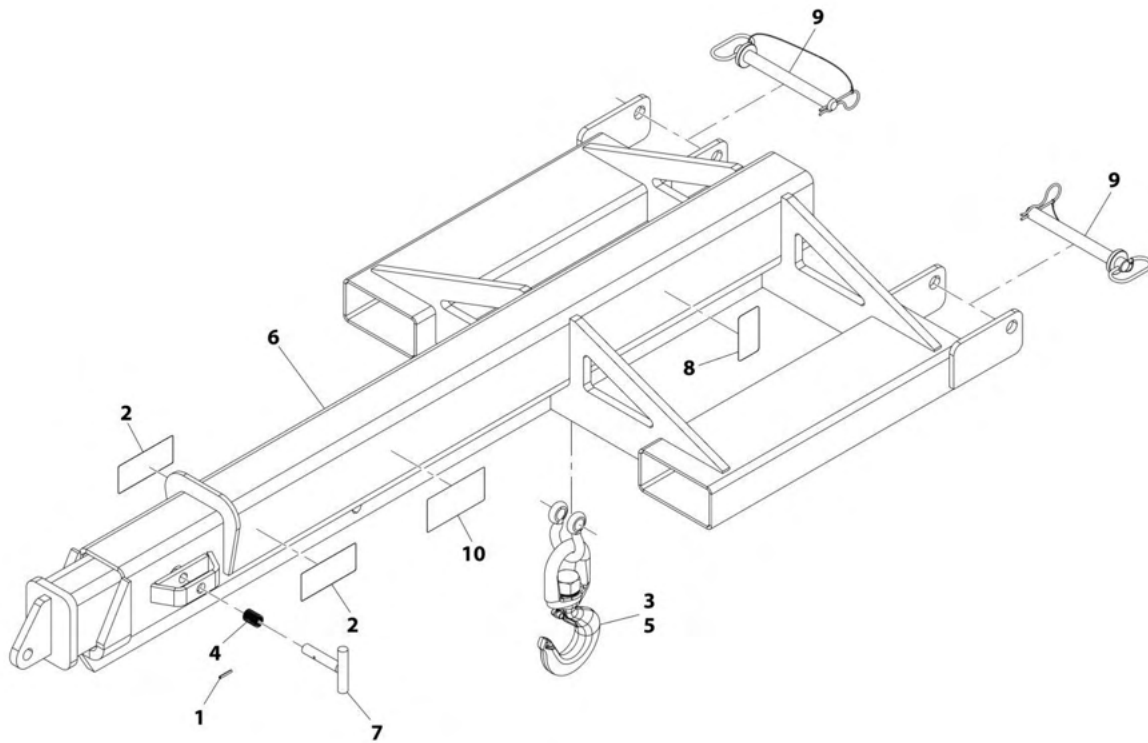
SECTION 3 - ATTACHMENTS

FIGURE 3-5. BOOM - ADJUSTABLE

ITEM	PART NUMBER	QTY	DESCRIPTION	REV
	1001176515	Ref	ADJUSTABLE TRUSS BOOM	C
1	90554016	1	Decal, Made in USA	
3	See Note	NSS	S/N Plate (Note: Stamped Part - Not Available for Purchase)	
4	See Note	NSS	Truss Boom (Note: Purchase Complete Assembly)	
5	70021440	1	Nut	
6	70024062	2	Decal, 4000 lbs cap	
7	70026944	2	Decal, 3000 lbs cap	
8	70026946	1	Pin	
9	70026699	2	Decal, 2000 lbs cap	
10	70026747	1	Seal	
11	90554033	1	Bolt 3/4 x 1/4	
12	90554034	1	Washer 1/4	
13	70026948	1	Plate, Stop	
14	70026949	1	Boom, Telescopic	

SECTION 3 - ATTACHMENTS

FIGURE 3-6. BOOM - ADJUSTABLE (FORK MOUNTED)



ART_1001230241-H

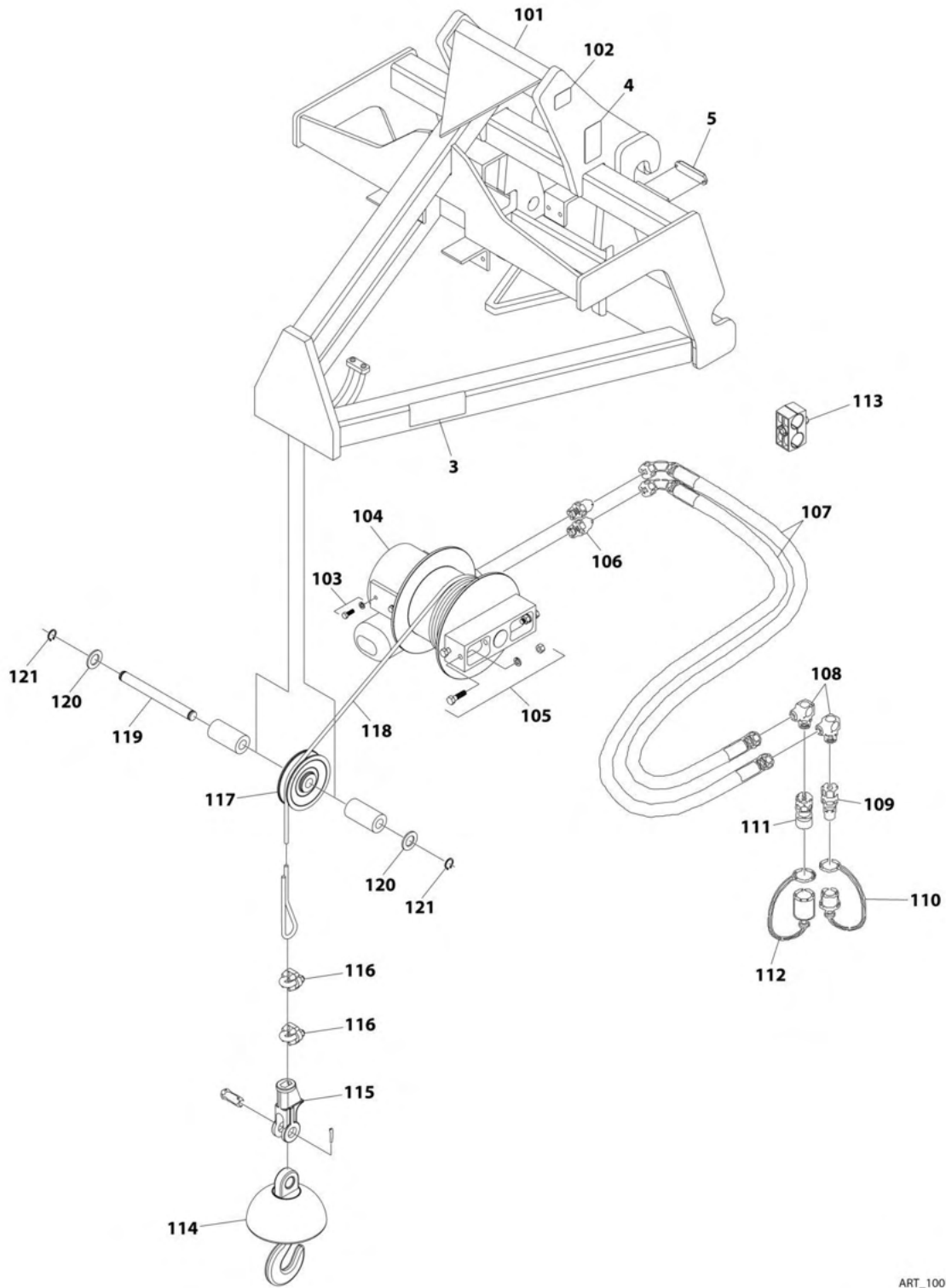
SECTION 3 - ATTACHMENTS

FIGURE 3-6. BOOM - ADJUSTABLE (FORK MOUNTED)

ITEM	PART NUMBER	QTY	DESCRIPTION	REV
	1001230241	Ref	Adjustable Truss Boom Installation (Fork Mounted)	H
1	3440620	1	Pin	
2	4110422	2	Decal, Danger Swinging Loads	
3	91403448	1	Hook, Swivel	
4	1001128890	1	Spring	
5	1001146160	1	Shackle	
6	See Note	NSS	Boom, Truss - Adjustable (Note: Purchase Complete Assembly)	
7	1001230239	1	Pin	
8	See Note	NSS	SN Plate (Note: Stamped Part - Not Available for Purchase)	
9	1001231692	2	Pin	
10	1001232500	1	Decal, Load Capacities	

SECTION 3 - ATTACHMENTS

FIGURE 3-7. BOOM (3FT WITH WINCH)



ART_1001100967_G

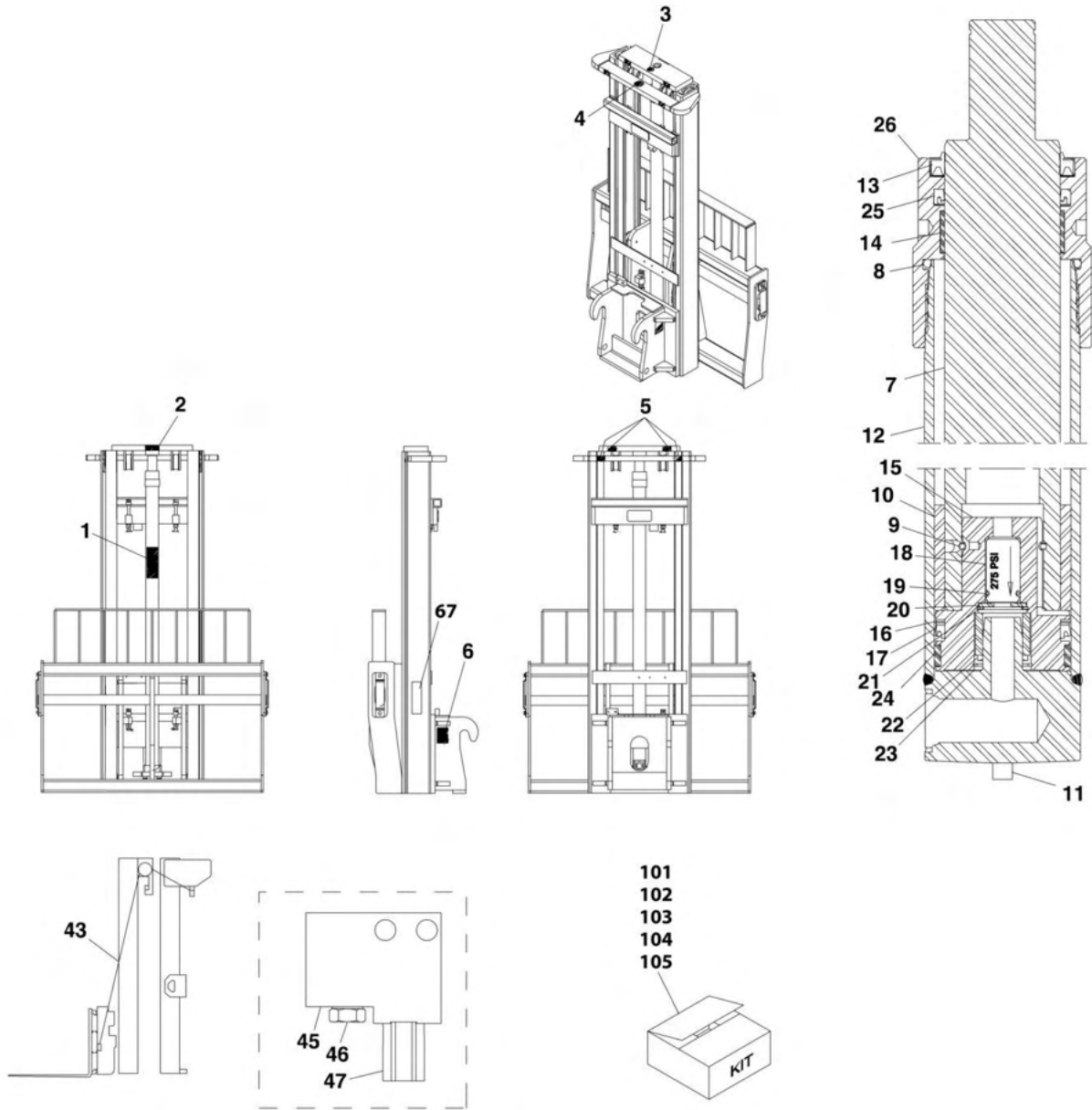
SECTION 3 - ATTACHMENTS

FIGURE 3-7. BOOM (3FT WITH WINCH)

ITEM	PART NUMBER	QTY	DESCRIPTION	REV
	1001100967	Ref	TRUSS BOOM ASSEMBLY (3 FOOT WITH WINCH) (INCLUDES ITEMS 3, 4, 5 & 101 THRU 121)	G
3	4110422	2	Decal, Danger, Swinging Loads	
4	See Note	NSS	S/N Plate (Note: Stamped Part - Not Available for Purchase)	
5	1001227670	1	Tag, RFID	
101	See Note	NSS	Truss Boom Frame (Note: Purchase Complete Assembly)	
102	90554016	1	Decal	
103	70021349	4	Bolt	
103	90554042	4	Washer	
104	70021921	1	Winch, Truss Boom	
105	70024059	4	Bolt	
105	90554054	4	Nut	
105	90554020	4	Washer	
106	70021415	2	Fitting	
107	70021977	2	Hose	
108	70022527	2	Fitting, 90	
109	91403414	1	Fitting, Straight	
110	8420053	1	Cap	
111	91403413	1	Fitting, Straight	
112	8420055	1	Plug	
113	70021387	1	Clamp	
114	70021978	1	Ball Swivel Safety Hook	
115	70021979	1	Assembly, Socket	
116	70022528	2	Clamp	
117	70021935	1	Pulley	
118	70022028	1	Cable	
119	70022529	1	Pin	
120	70027009	2	Washer	
121	70026698	2	Ring, Snap	

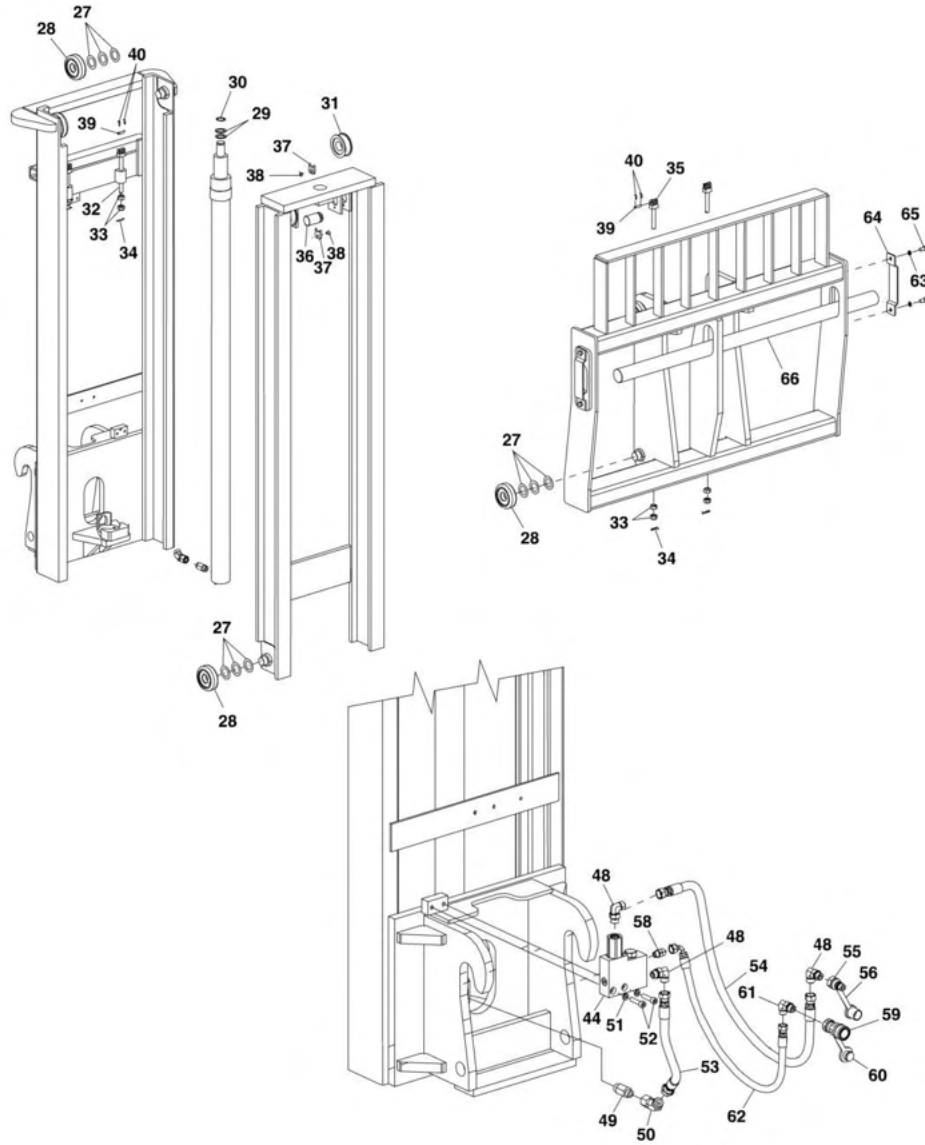
SECTION 3 - ATTACHMENTS

FIGURE 3-8. BOOM (8FT)



ART_1001108668_1-E

SECTION 3 - ATTACHMENTS



ART_1001108668_2-E

SECTION 3 - ATTACHMENTS

FIGURE 3-8. BOOM (8FT)

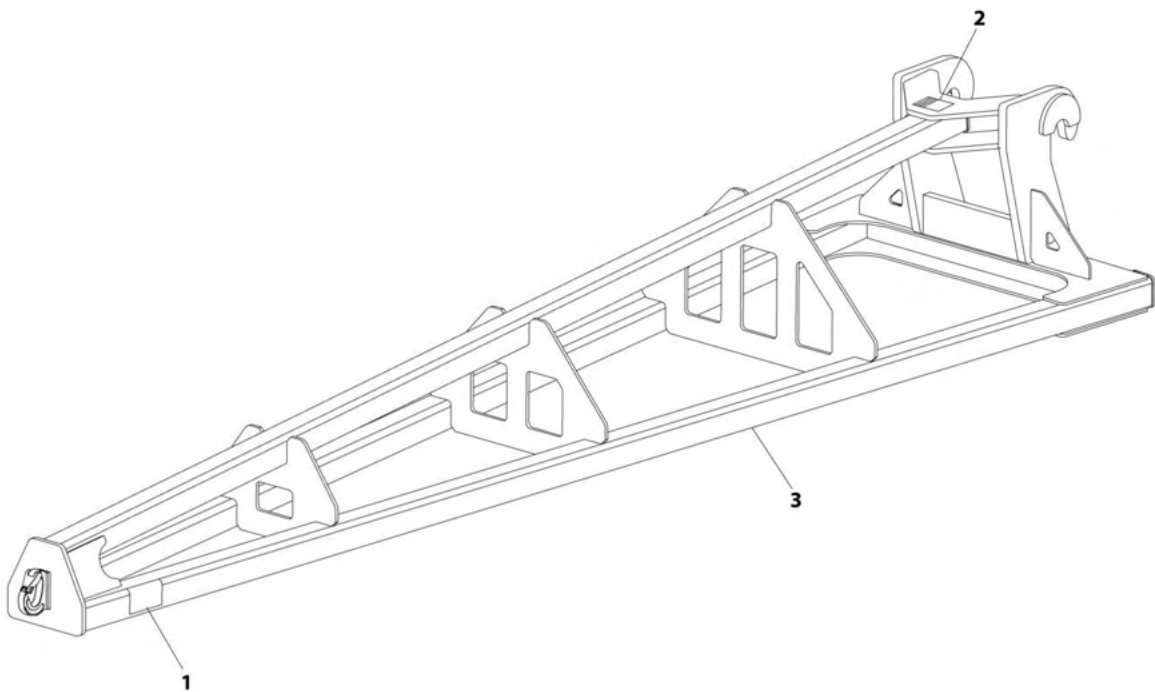
ITEM	PART NUMBER	QTY	DESCRIPTION	REV
	1001108668	Ref	Mast (8 Foot)	E
1	Kit	NSS	Decal, Warning (Use Item 101)	
2	Kit	NSS	Decal, Warning (Use Item 101)	
3	Kit	NSS	Decal, No Step (Use Item 101)	
4	Kit	NSS	Decal, No Step (Use Item 101)	
5	Kit	NSS	Decal, Hands Off (Use Item 101)	
6	Kit	NSS	Decal, Hose Routing (Use Item 101)	
7	70023008	1	Cylinder, Main Lift (includes items 7 thru 26)	
7	N.S.S.	NSS	Rod/Plunger (Purchase Item 7)	
8	Kit	NSS	O-Ring (Use Item 102)	
9	Kit	NSS	Wire, Pull (Use Item 102)	
10	N.S.S.	NSS	Spacer (Purchase Item 7)	
11	N.S.S.	NSS	Pin, Roll (Purchase Item 7)	
12	N.S.S.	NSS	Barrel (Purchase Item 7)	
13	Kit	NSS	Wiper (Use Item 102)	
14	Kit	NSS	Bushing (Use Item 102)	
15	N.S.S.	NSS	Barrel	
16	Kit	NSS	Ring, Nylon (Use Item 102)	
17	Kit	NSS	Seal, Piston (Use Item 102)	
18	Kit	NSS	Valve, Check	
19	Kit	NSS	O-Ring (Use Item 102)	
20	Kit	NSS	Washer	
21	Kit	NSS	Circlip (Use Item 102)	
22	N.S.S.	NSS	Sleeve (Purchase Item 7)	
23	Kit	NSS	Ring, Retaining (Use Item 102)	
24	Kit	NSS	Ring, Wear (Use Item 102)	
25	Kit	NSS	Seal, Rod (Use Item 102)	
26	70023004	1	Head/Retainer/Gland	
27	70023014	24	Shim	
28	70022987	8	Bearing, Ball	
29	Kit	NSS	Washer, Shim (Purchase Item 104)	
30	70023016	1	Ring, Snap	
31	70022969	2	Assembly, Sheave	
32	70022960	2	Anchor, Chain	
33	70022957	8	Nut, 5/8	
34	70022993	4	Pin, Cotter	
35	70022995	2	Anchor, Chain	
36	70022984	1	Shaft, Sheave	
37	70022970	2	Bar, Retainer	
38	70023003	2	Capscrew	
39	70022994	4	Pin, Chain Anchor	
40	70022992	8	Pin, Cotter	
41	70022985	1	Shaft, Sheave	
43	70023009	2	Chain, Lift	
44	70022932	1	Assembly, PO Check Valve (includes items 45, 46 & 47)	
45	N.S.S.	NSS	Manifold (Purchase Item 44)	
46	70022931	1	Cartridge, Check Valve	
47	70023010	1	Cartridge, Check Valve	
48	70022934	3	Fitting, 90	
49	70022936	1	Limiters, Flow	

SECTION 3 - ATTACHMENTS

ITEM	PART NUMBER	QTY	DESCRIPTION	REV
50	70022937	1	Fitting, 45	
51	70022949	2	Washer, Lock M10	
52	70022950	2	Bolt	
53	70022942	1	Hose	
54	70022952	1	Hose	
55	91403414	1	Adapter, Male Quick Disconnect	
56	91043126	1	Cap, Dust	
58	70022939	1	Fitting, Straight	
59	91403413	1	Fitting, Female Quick Disconnect	
60	91043125	1	Plug, Dust	
61	70022935	1	Fitting, 90	
62	70022946	1	Hose	
63	70022949	4	Washer, Lock M10	
64	70022980	2	Keeper, Fork Pin	
65	70022998	4	Screw, M10X20	
66	70022990	1	Pin, Fork	
67	See Note	NSS	S/N Plate (Note: Stamped Part - Not Available for Purchase)	
101	70023925	1	Kit, Decal (includes items 1 thru 6)	
102	70023005	1	Seal Kit, Main Lift Cylinder (includes items 8, 9, 13, 14, 16, 17, 19, 21 & 23 thru 25)	
103	70023006	1	Kit, Check Valve (includes items 18 thru 21 & 23)	
104	70023007	1	Kit, Shim	
105	70023015	1	Kit, Mast Common Parts (includes items 27 thru 41)	

SECTION 3 - ATTACHMENTS

FIGURE 3-9. BOOM (15 FTT)



ART_1001099901

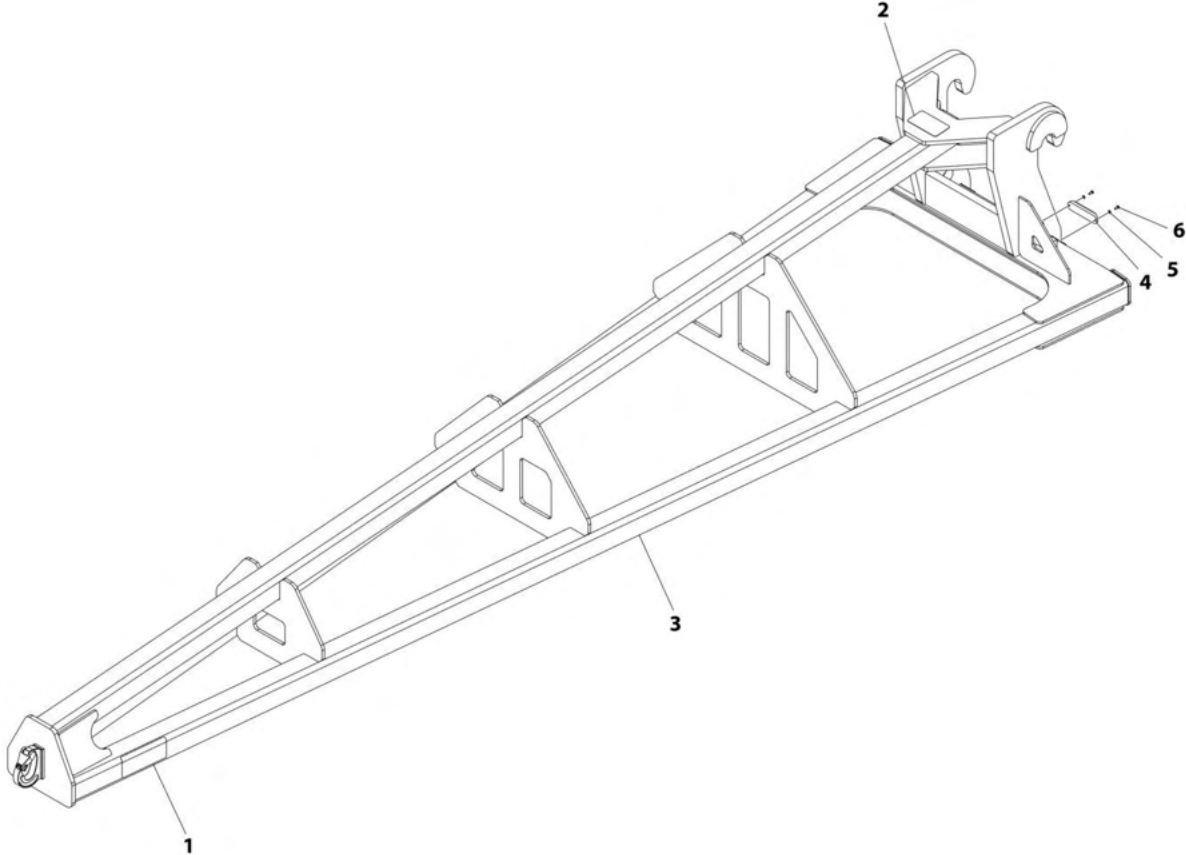
SECTION 3 - ATTACHMENTS

FIGURE 3-9. BOOM (15 FTT)

ITEM	PART NUMBER	QTY	DESCRIPTION	REV
	1001099901	Ref	TRUSS BOOM (15 FOOT)	F
1	4110422	2	Decal, Danger Swinging Loads	
2	See Note	NSS	S/N Plate (Note: Stamped Part - Not Available for Purchase)	
3	See Note	NSS	Boom, Truss (Note: Purchase Complete Assembly)	

SECTION 3 - ATTACHMENTS

FIGURE 3-10. BOOM (0.9 TON - 3.7M)



ART_1001099902_G

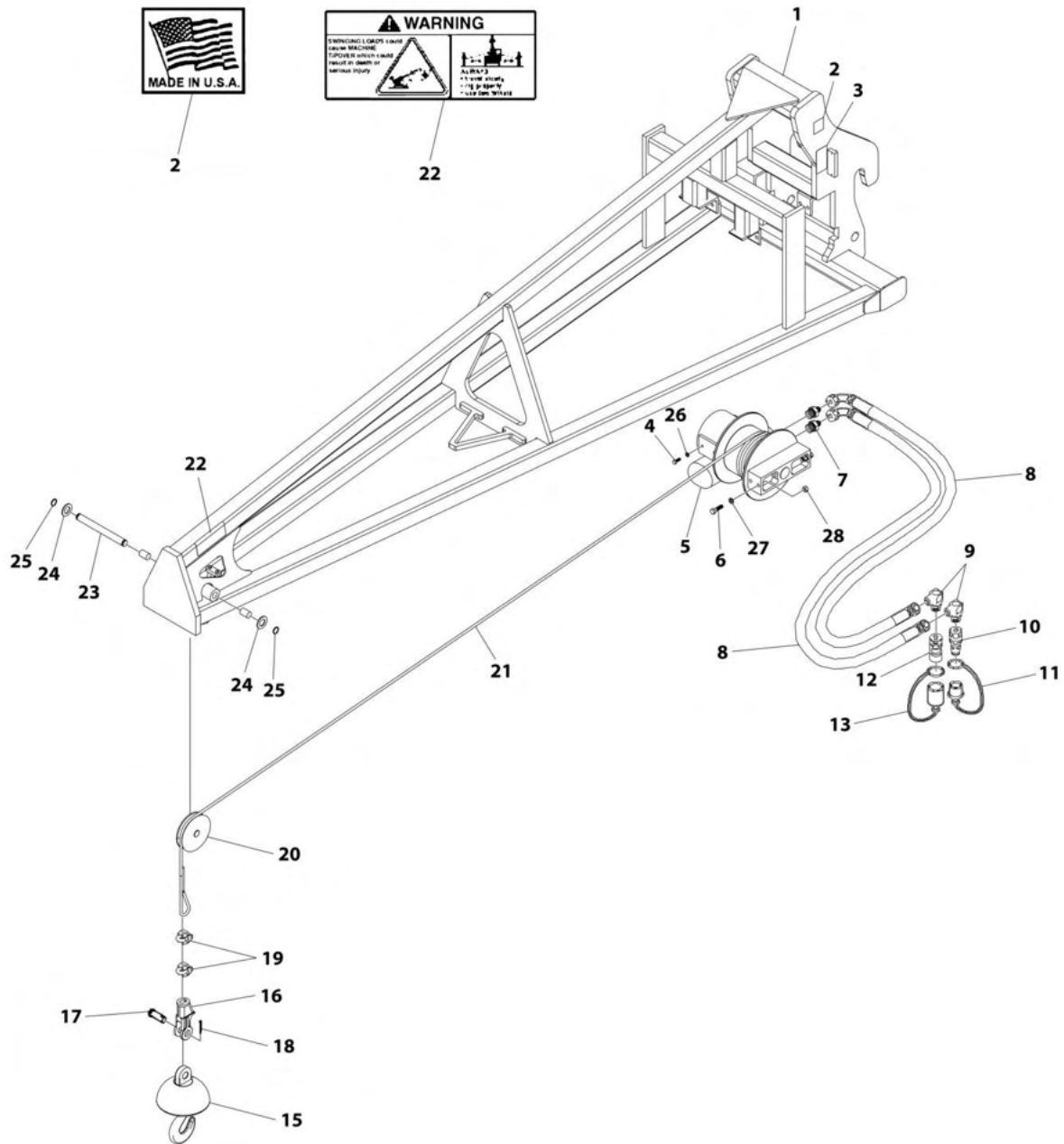
SECTION 3 - ATTACHMENTS

FIGURE 3-10. BOOM (0.9 TON - 3.7M)

ITEM	PART NUMBER	QTY	DESCRIPTION	REV
	1001099902	Ref	TRUSS BOOM (0.9 TON - 3.7M)	G
1	4110422	2	Decal, Danger Swinging Loads	
2	See Note	NSS	SN Plate (Note:Stamped Part - Not Available for Purchase)	
3	See Note	NSS	Boom, Truss (Note: Purchase Complete Assembly)	
4	1001227670	1	Tag, RFID	
5	4811400	2	Washer M4	
6	0760405	2	Bolt M4 x 10	

SECTION 3 - ATTACHMENTS

FIGURE 3-11. BOOM (0.9 TON - 3.7M WITH WINCH)



ART_1001099351

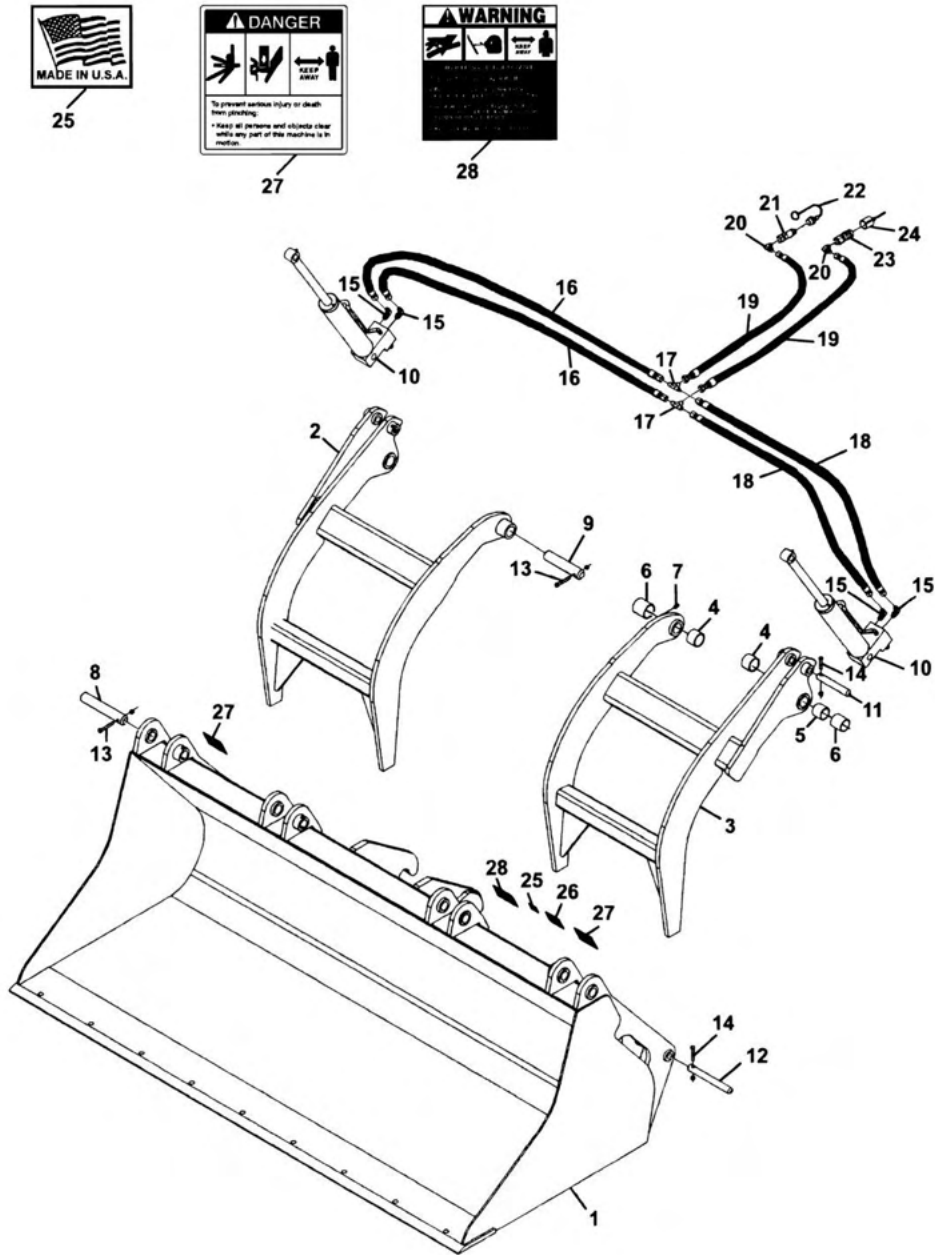
SECTION 3 - ATTACHMENTS

FIGURE 3-11. BOOM (0.9 TON - 3.7M WITH WINCH)

ITEM	PART NUMBER	QTY	DESCRIPTION	REV
	1001099351	Ref	TRUSS BOOM (0.9 TON - 3.7M WITH WINCH)	L
1	See Note	NSS	Frame, Truss Boom (Note: Purchase Complete Assembly)	
2	90554016	1	Decal, Made in USA	
	See Note	NSS	S/N Plate (Note: Stamped Part - Not Available for Purchase)	
4	70021349	4	Bolt 3/8 x 1	
5	70021921	1	Motor, Truss Boom Winch	
6	70024059	2	Bolt 1/2 x 1-3/4	
7	70021415	2	Connector	
8	70021977	2	Hose	
9	70022527	2	Fitting, 90	
10	7029692	1	Fitting, Straight	
11	90554062	1	Cap, Dust	
12	70021342	1	Fitting, Straight	
13	90554076	1	Cap, Dust	
15	70021978	1	Ball Swivel with Safety Hook	
16	70021979	1	Assembly, Socket (includes items 17 thru 18)	
17	See Note	NSS	Pin (Note: Use Item 16)	
18	See Note	NSS	Pin, Cotter (Note: Use Item 16)	
19	70022528	2	Clamp	
20	70021935	1	Pulley	
21	70022028	1	Cable	
22	4110422	2	Decal, Warning Swinging Loads	
23	70022529	1	Pin	
24	70024060	2	Washer	
25	70026698	2	Ring, Snap	
26	90554042	4	Washer 3/8	
27	90554020	2	Washer 1/2	
28	90554054	2	Nut 1/2	

SECTION 3 - ATTACHMENTS

FIGURE 3-12. BUCKET (GRAPPLE MULTI-PURPOSE)



ART_0930020-J

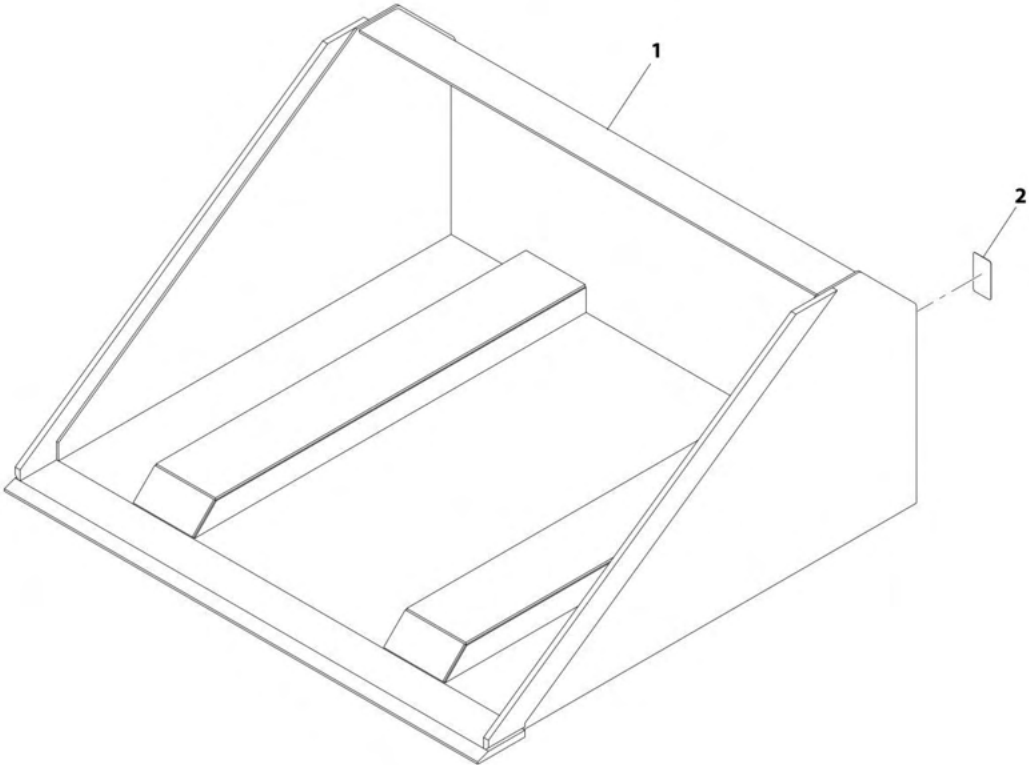
SECTION 3 - ATTACHMENTS

FIGURE 3-12. BUCKET (GRAPPLE MULTI-PURPOSE)

ITEM	PART NUMBER	QTY	DESCRIPTION	REV
	0930020	Ref	Multi-Purpose Grapple Bucket (2450 MM)	J
1	N.S.S.	1	Bucket	
1	70021387	4	Clamp, Hose	
2	70021391	1	Hook, RH Grapple	
3	70021392	1	Hook, LH Grapple	
4	70021358	4	Bushing	
5	70021359	2	Spacer	
6	70021360	4	Bushing	
7	7029714	4	Fitting, Grease	
8	70021361	2	Pin	
9	70021362	2	Pin	
10	70021393	2	Cylinder, Grapple Bucket (See Separate Breakdown in HYDRAULIC COMPONENTS Section)	
11	70021364	2	Pin	
12	70021365	2	Pin	
13	70021366	4	Bolt, 3/8X2-3/4	
13	70021367	4	Nut 3/8	
14	70021399	4	Bolt, 3/8X2-1/4	
14	70021367	4	Nut, Lock 3/8	
15	90554065	4	Fitting, 90	
16	70021980	2	Hose	
17	70020562	2	Fitting, Tee	
18	70021981	2	Hose	
19	70021982	2	Hose	
20	70022527	2	Fitting, 90	
21	7029692	1	Coupler	
22	90554062	1	Cover	
23	70021342	1	Coupler	
24	90554076	1	Cover	
25	90554016	1	Decal, Made in USA	
26	See Note	NSS	S/N Plate (Note: Stamped Part - Not Available for Purchase)	
27	90554017	2	Decal, Danger Pinch Point	
28	90554018	1	Decal, Warning High Pressure	

SECTION 3 - ATTACHMENTS

FIGURE 3-13. BUCKET (60 INCH) FORK MOUNTED)



ART_1001195970-D

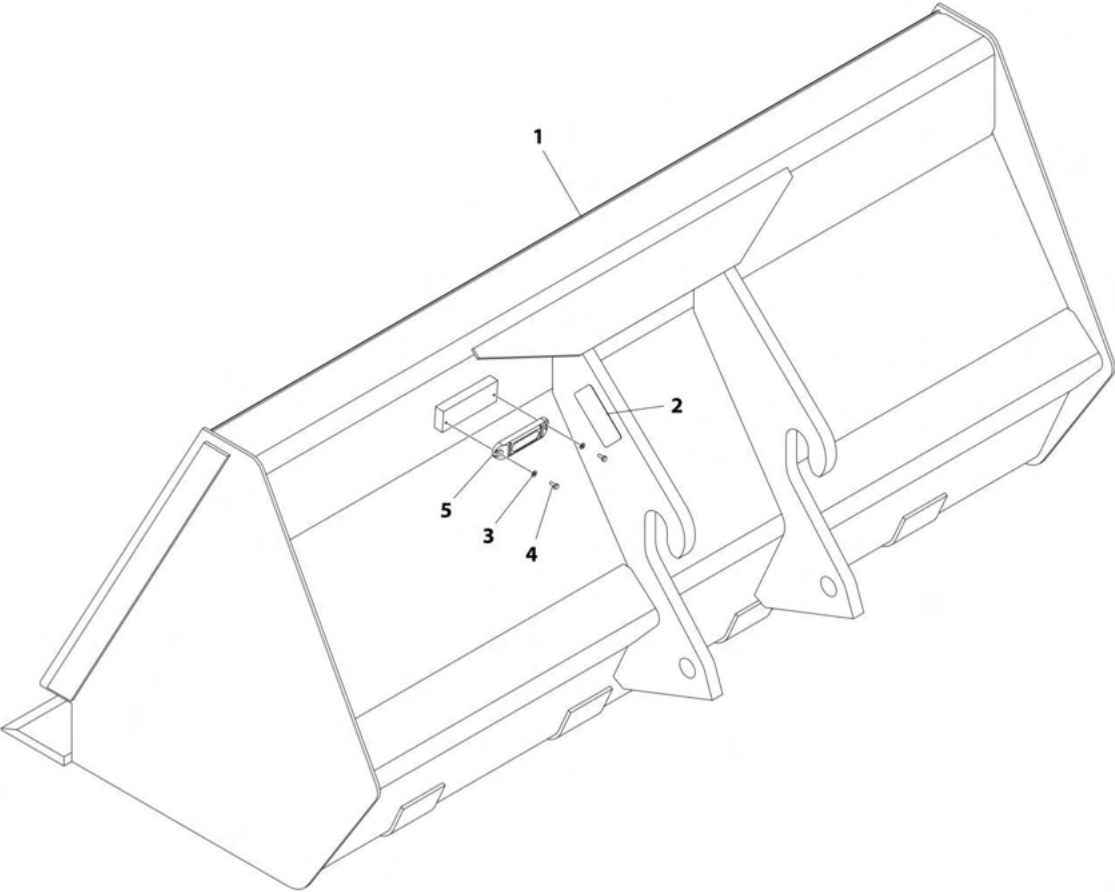
SECTION 3 - ATTACHMENTS

FIGURE 3-13. BUCKET (60 INCH) FORK MOUNTED)

ITEM	PART NUMBER	QTY	DESCRIPTION	REV
1	1001195970	Ref	Bucket 1.0 m ³ (Fork Mounted)	D
2	See Note	NSS	S/N Plate (Note: Stamped Part - Not Available for Purchase)	

SECTION 3 - ATTACHMENTS

FIGURE 3-14. BUCKET (72 INCH)



ART_1001100822_H

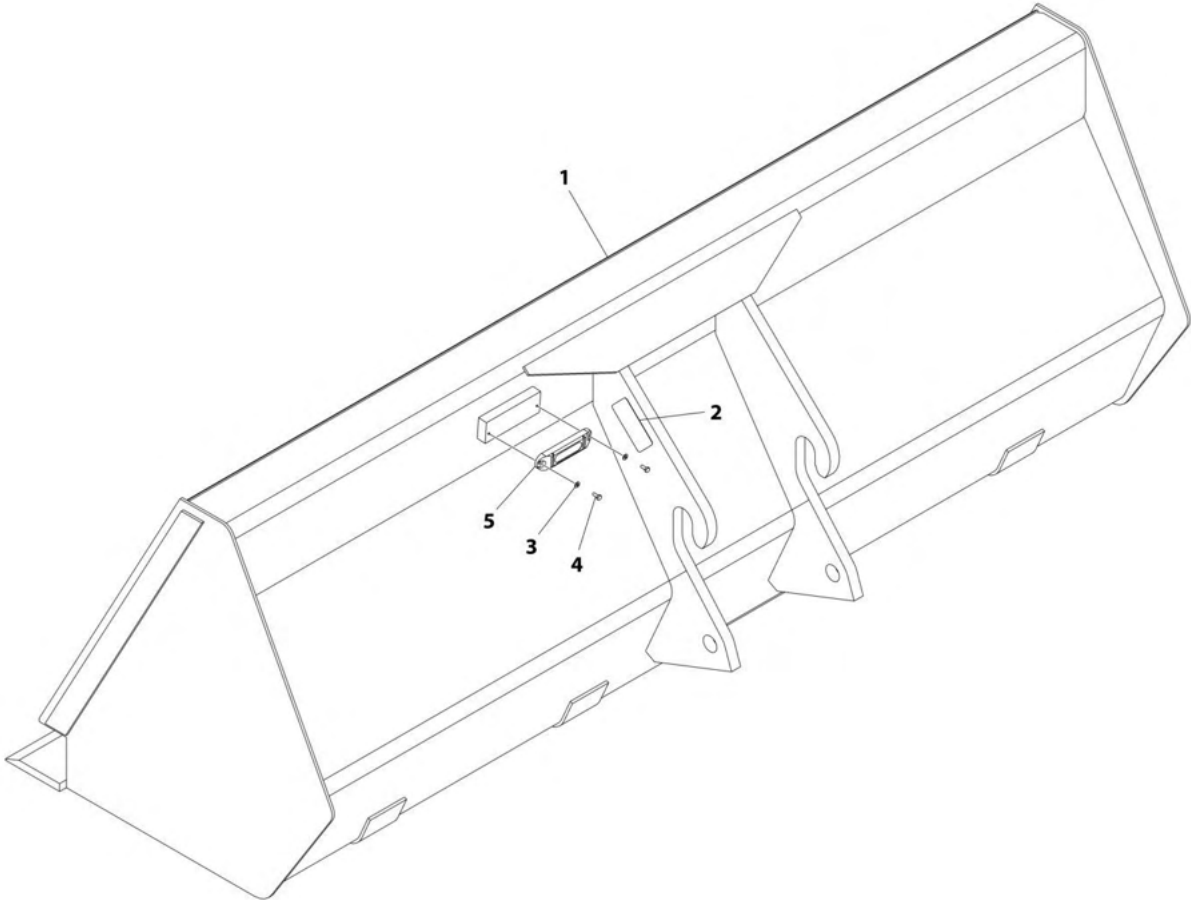
SECTION 3 - ATTACHMENTS

FIGURE 3-14. BUCKET (72 INCH)

ITEM	PART NUMBER	QTY	DESCRIPTION	REV
	1001100822	Ref	BUCKET 1.0 YD ³ (ANSI - JLG)	H
1	1001100265	1	Bucket Weldment	
2	See Note	NSS	SN Plate (Note:Stamped Part - Not Available for Purchase)	
3	4811400	2	Washer M4	
4	0760405	2	Bolt M4 x 10	
5	1001227670	1	Tag, RFID	

SECTION 3 - ATTACHMENTS

FIGURE 3-15. BUCKET (96 INCH)



ART_1001100823_H

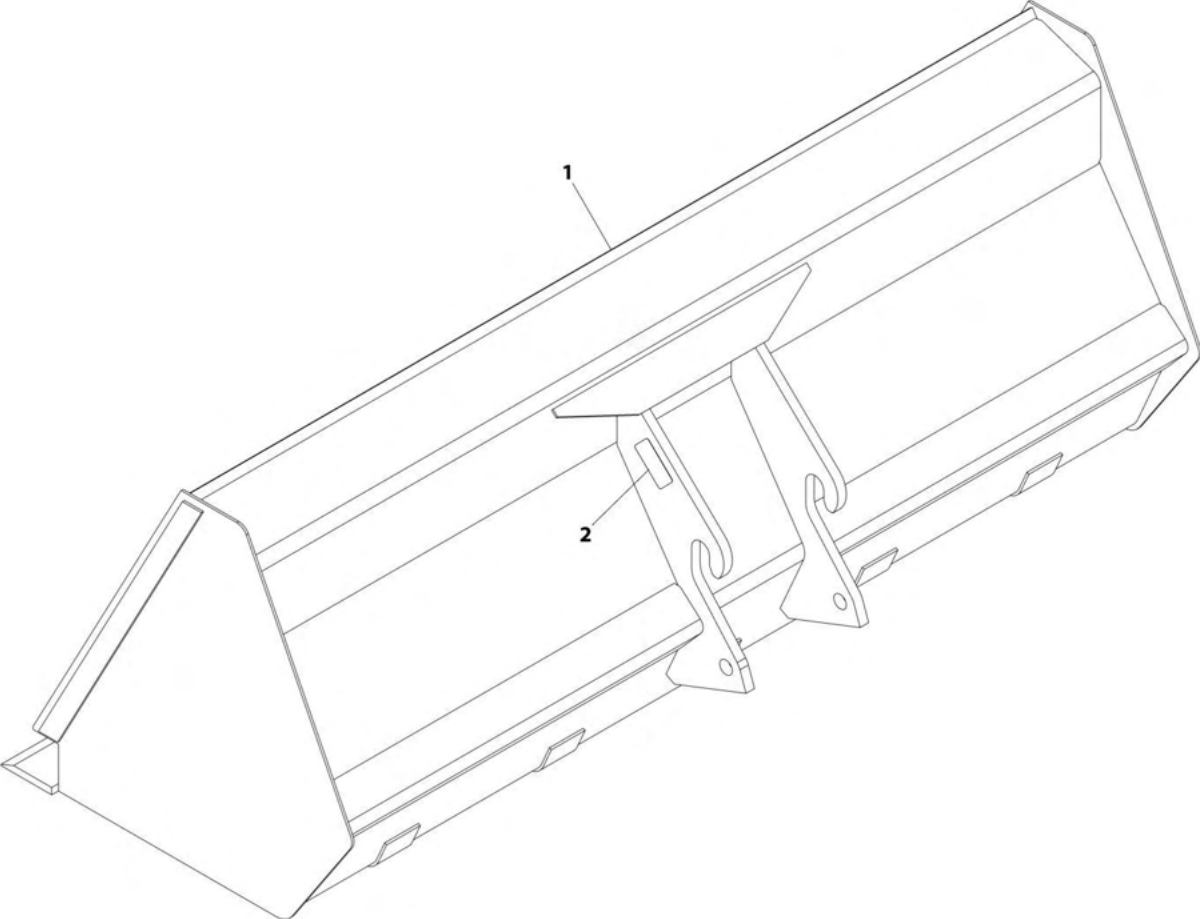
SECTION 3 - ATTACHMENTS

FIGURE 3-15. BUCKET (96 INCH)

ITEM	PART NUMBER	QTY	DESCRIPTION	REV
	1001100823	Ref	BUCKET (1.15 M ³)	H
1	1001100266	1	Bucket	
2	See Note	NSS	SN Plate (Note:Stamped Part - Not Available for Purchase)	
3	4811400	2	Washer M4	
4	0760405	2	Bolt M4 x 10	
5	1001227670	1	Tag, RFID	

SECTION 3 - ATTACHMENTS

FIGURE 3-16. BUCKET (102 INCH)



ART_1001100824-F

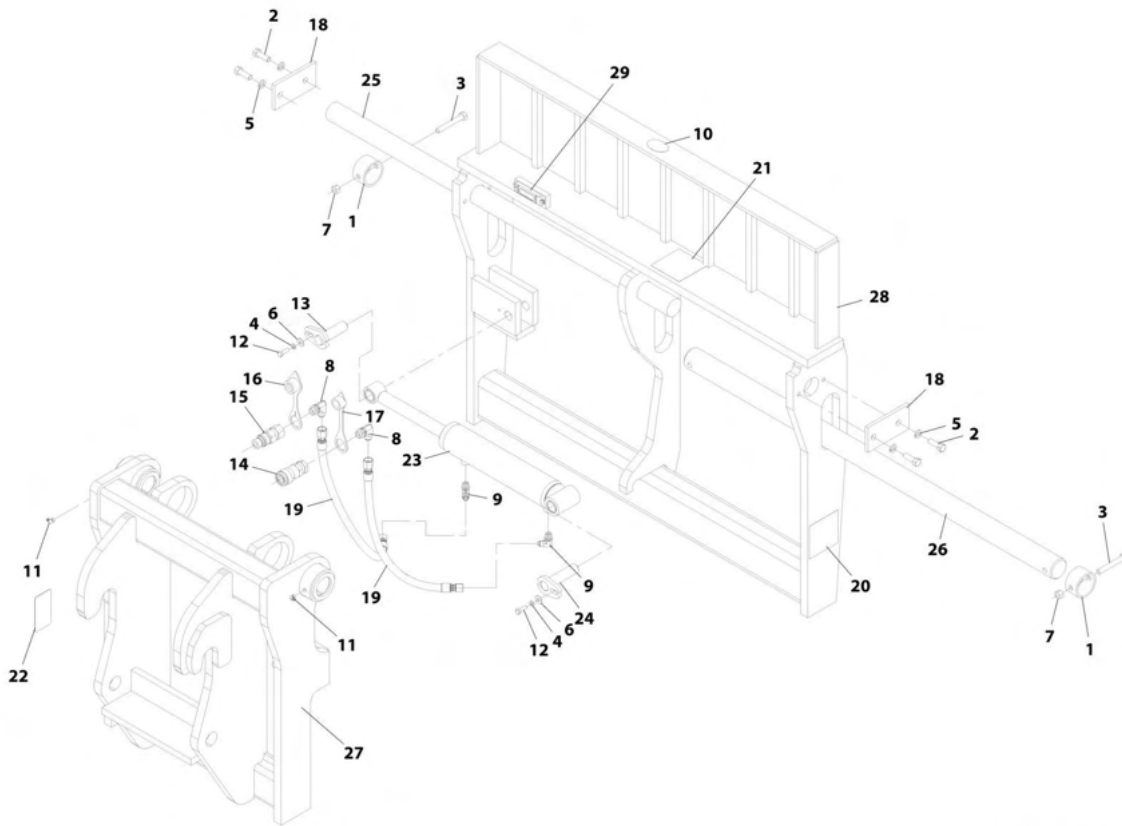
SECTION 3 - ATTACHMENTS

FIGURE 3-16. BUCKET (102 INCH)

ITEM	PART NUMBER	QTY	DESCRIPTION	REV
1	1001100824	Ref	Bucket (102 Inch)	F
	1001100267	NLA	Bucket (Note: Purchase PN 1001100824)	
	See Note	NSS	S/N Plate (Note: Stamped Part - Not Available for Purchase)	

SECTION 3 - ATTACHMENTS

FIGURE 3-17. SIDE SHIFT CARRIAGE ASSEMBLY (48 INCH 12K)



ART_1001242644-B

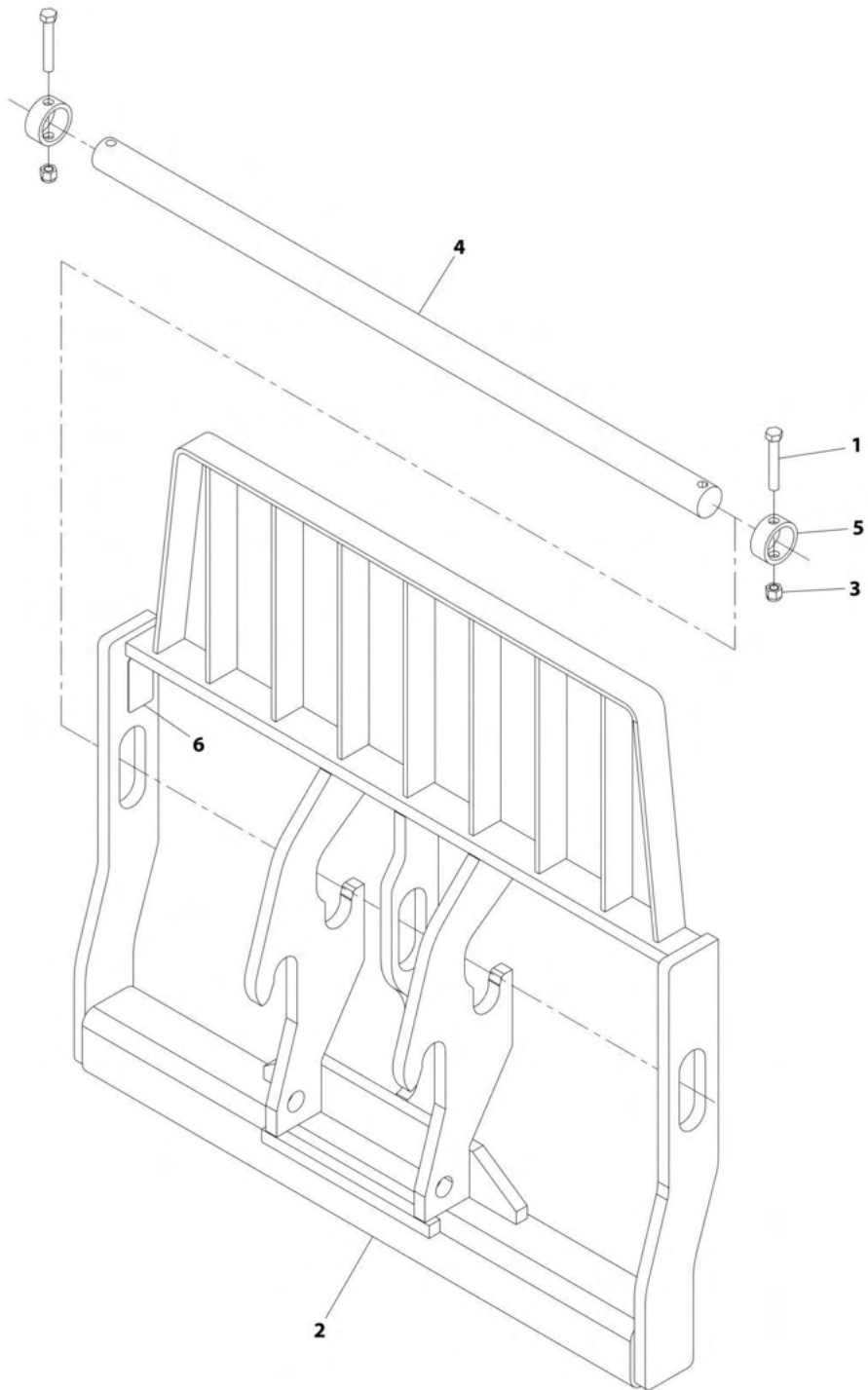
SECTION 3 - ATTACHMENTS

FIGURE 3-17. SIDE SHIFT CARRIAGE ASSEMBLY (48 INCH 12K)

ITEM	PART NUMBER	QTY	DESCRIPTION	REV
	1001242644	Ref	SIDE SHIFT CARRIAGE ASSEMBLY (48 INCH)	B
1	70020028	2	Bushing	
2	70021382	4	Bolt 1/2 x 1-1/2	
3	70020002	2	Bolt 1/2 x 4	
4	90554067	2	Washer 5/16	
5	90554020	4	Washer 1/2	
6	70021379	2	Washer	
7	70027642	2	Washer	
8	70030141	2	Elbow	
9	90554065	2	Elbow 90	
10	90554016	1	Decal - Made in USA	
11	70021389	2	Fitting 90	
12	70021378	2	Capscrew	
13	70021351	1	Pin	
14	91403413	1	Adapter	
15	91403414	1	Adapter	
16	8420053	1	Cap, Dust	
17	8420055	1	Plug, Dust	
18	70030142	2	Plate	
19	70030143	2	Hose	
20	90554017	2	Decal - Danger Pinch Point	
21	7029711	1	Decal - High Pressure	
22	See Note	NSS	SN Plate (Note: Stamped Part - Not Available for Purchase)	
23	70021376	1	Cylinder Assembly (See Separate Breakdown in HYDRAULIC COMPONENTS Section)	
24	70021377	1	Pin	
25	70030144	1	Pin	
26	70030145	1	Pin	
27	See Note	NSS	Frame - Rear (Note: Purchase Complete Assembly)	
28	See Note	NSS	Frame - Front (Note: Purchase Complete Assembly)	
29	1001227670	1	Tag, RFID	

SECTION 3 - ATTACHMENTS

FIGURE 3-18. CARRIAGE ASSEMBLY (50 INCH 12K)



ART_1170021-H

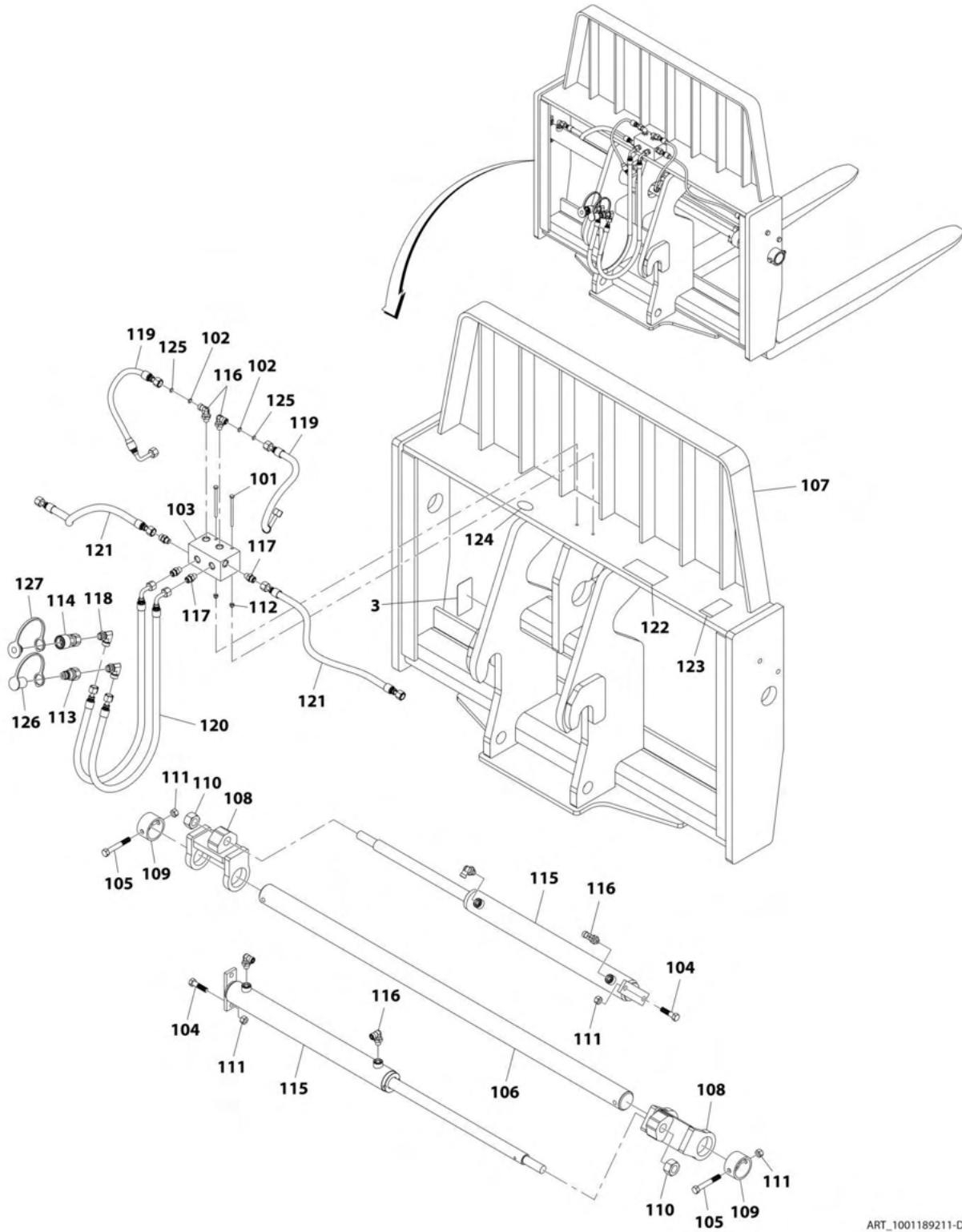
SECTION 3 - ATTACHMENTS

FIGURE 3-18. CARRIAGE ASSEMBLY (50 INCH 12K)

ITEM	PART NUMBER	QTY	DESCRIPTION	REV
	1170021	Ref	Carriage Assembly (50 INCH)	H
1	0642032	2	Bolt, 5/8-11X4	
2	1170012	1	Weldment, Carriage	
3	3300240	2	Nut, Lock 5/8-11	
4	3423275	1	Pin, Fork	
5	90200003	2	Collar, Fork Pin	
6	See Note	NSS	S/N Plate (Note: Stamped Part - Not Available for Purchase)	

SECTION 3 - ATTACHMENTS

FIGURE 3-19. CARRIAGE (50 INCH 12K) (DUAL FORK)



ART_1001189211-D

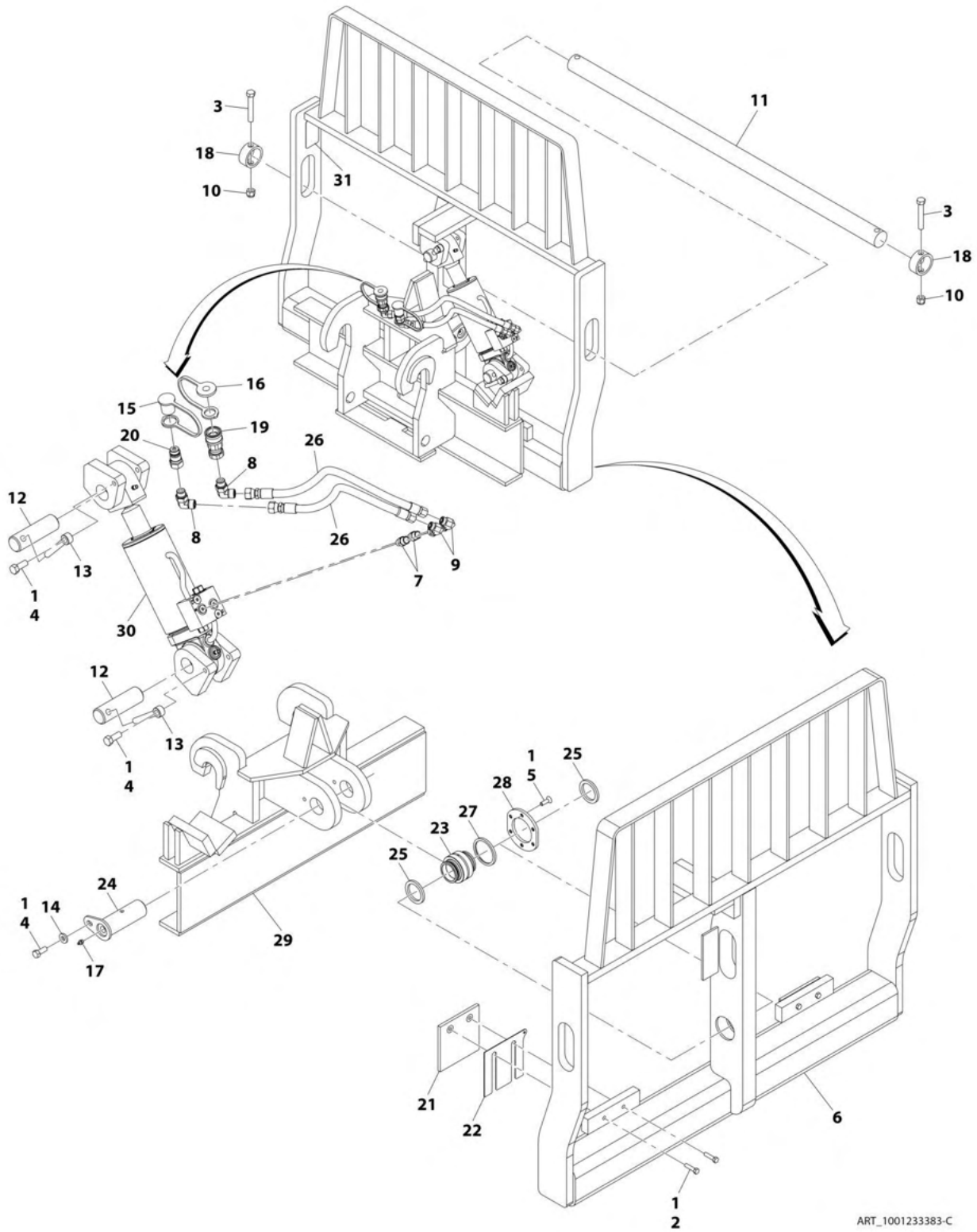
SECTION 3 - ATTACHMENTS

FIGURE 3-19. CARRIAGE (50 INCH 12K) (DUAL FORK)

ITEM	PART NUMBER	QTY	DESCRIPTION	REV
	1001189211	Ref	Dual Fork Positioning Carriage Assembly (50 Inch)	D
3	See Note	NSS	S/N Plate (Note: Stamped Part - Not Available for Purchase)	
101	70028519	2	Bolt	
102	70028520	2	Orifice	
103	70028521	1	Valve	
104	90554019	4	Bolt	
105	70020002	2	Bolt	
106	70027283	1	Pin Fork	
107	See Note	NSS	Carriage (Note: Purchase Complete Assembly)	
108	70028522	2	Weldment, Fork Adapter	
109	70020028	2	Bushing	
110	70021440	2	Nut	
111	70028523	6	Nut	
112	70028524	2	Nut	
113	91403414	1	Adapter, Male Quick Disconnect	
114	91403413	1	Adapter, Female Quick Disconnect	
115	2717283	2	Cylinder, Dual Fork (See Separate Breakdown in HYDRAULIC COMPONENTS Section)	
116	70028525	6	Elbow, 90	
117	70028486	4	Fitting	
118	70028526	2	Elbow, 90	
119	70028527	2	Hose	
120	70028528	2	Hose	
121	70028529	2	Hose	
122	70028530	1	Decal, Hose Routing	
123	See Note	NSS	S/N Plate (Note: Stamped Part - Not Available for Purchase)	
124	90554016	1	Decal	
125	70028531	2	O-Ring	
126	8420055	1	Plug, Dust	
127	8420053	1	Cap, Dust	

SECTION 3 - ATTACHMENTS

FIGURE 3-20. CARRIAGE ASSEMBLY (50 INCH 12K) (SIDE TILT)



ART_1001233383-C

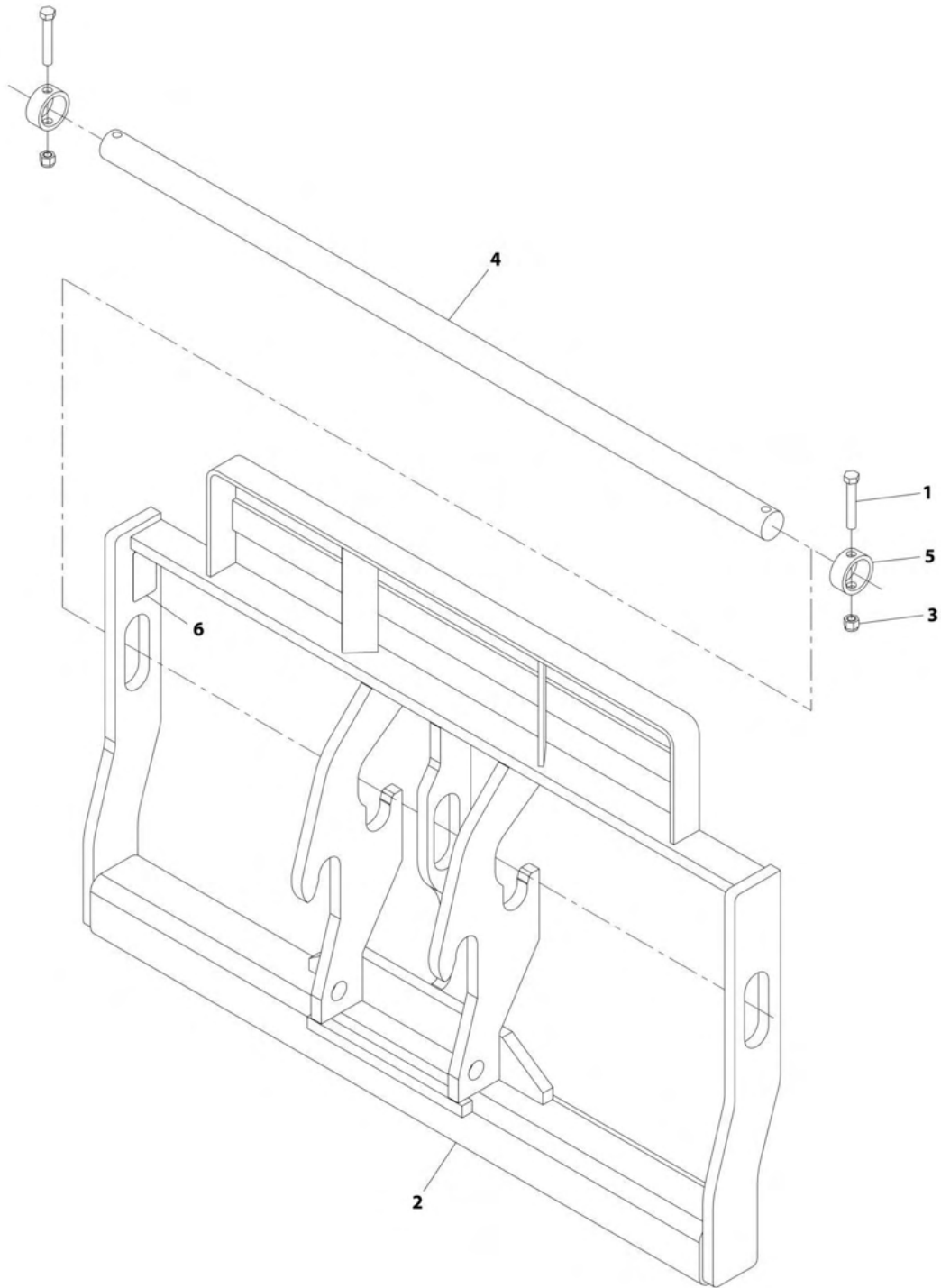
SECTION 3 - ATTACHMENTS

FIGURE 3-20. CARRIAGE ASSEMBLY (50 INCH 12K) (SIDE TILT)

ITEM	PART NUMBER	QTY	DESCRIPTION	REV
	1001233383	Ref	SIDE TILT CARRIAGE ASSEMBLY (50 INCH)	C
1	0100011	AR	Compound, Locking	
2	0641612	4	Bolt 3/8 x 1-1/2	
3	0642032	2	Bolt 5/8 x 4	
4	0681810	3	Bolt 1/2 x 1-1/4	
5	0741610	6	Screw 3/8 x 1.25	
6	See Note	NLA	Carriage (Note: Purchase Complete Assembly)	
7	2110606	2	Fitting, Straight ORFS	
8	2130808	2	Adapter, 90	
9	2172106	2	Fitting, 90 ORFS	
10	3300240	2	Nut 5/8	
11	3423275	1	Pin	
12	3423307	2	Pin	
13	3841203	2	Keeper	
14	4891800	1	Flatwasher	
15	8420053	1	Cap	
16	8420055	1	Plug	
17	88671001	1	Fitting, Grease	
18	90200003	2	Collar	
19	91403413	1	Fitting, Straight	
20	91403414	1	Fitting, Straight	
21	1001090063	2	Pad	
22	1001090064	AR	Shim	
23	1001090140	1	Bearing	
24	1001099113	1	Pin	
25	1001099115	2	Sleeve	
26	1001239734	2	Hose	
27	1001120914	1	Shim	
28	1001120915	1	Plate	
29	See Note	NSS	Carriage, Base Pivot (Note: Purchase Complete Assembly)	
30	1001163414	1	Cylinder, Side Tilt (See Separate Breakdown in HYDRAULIC COMPONENTS Section)	
31	See Note	NSS	S/N Plate (Note: Stamped Part - Not Available for Purchase)	

SECTION 3 - ATTACHMENTS

FIGURE 3-21. CARRIAGE ASSEMBLY (60 INCH 12K)



ART_1170024-H

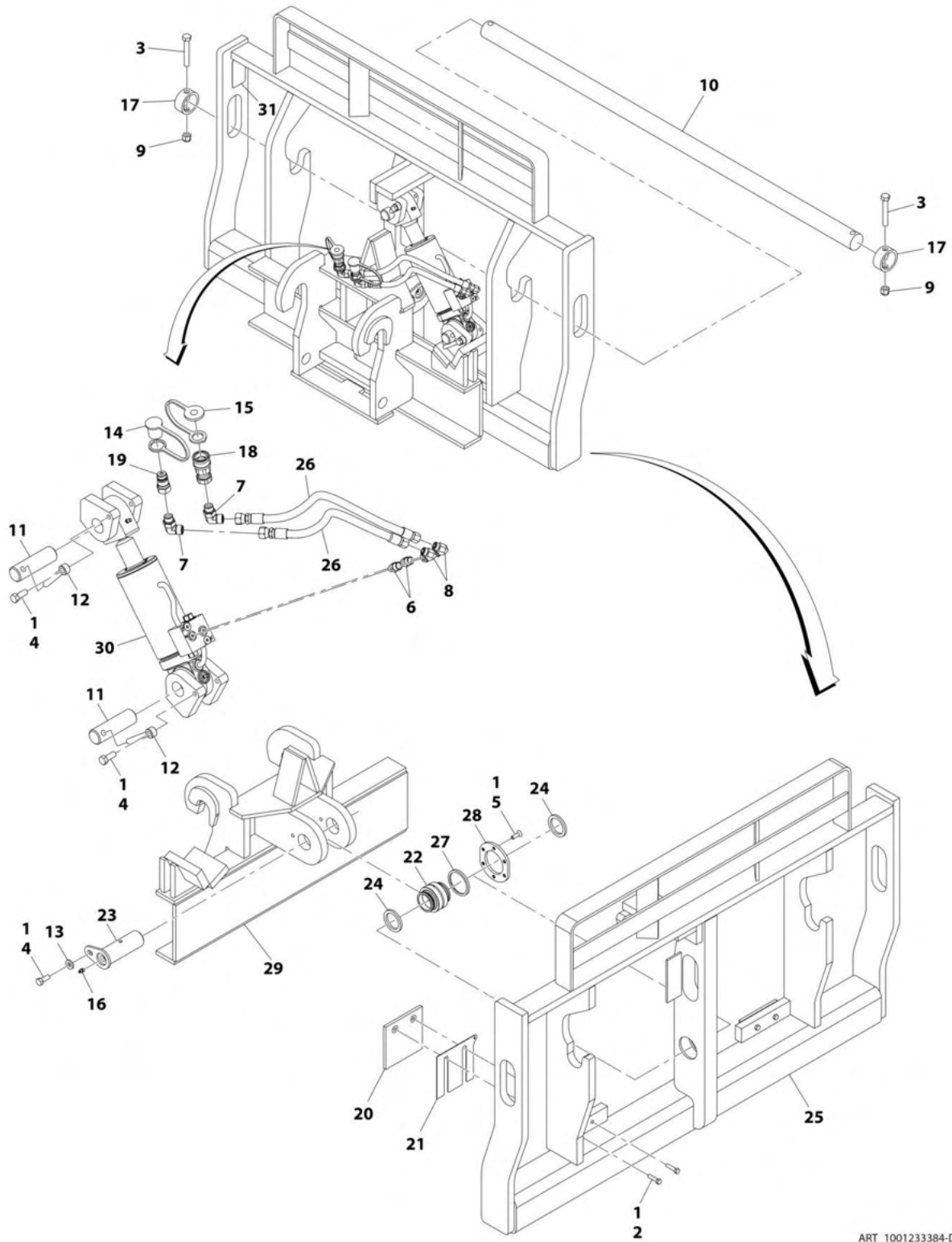
SECTION 3 - ATTACHMENTS

FIGURE 3-21. CARRIAGE ASSEMBLY (60 INCH 12K)

ITEM	PART NUMBER	QTY	DESCRIPTION	REV
	1170024	Ref	Carriage Assembly (1524 MM)	H
1	0642032	2	Bolt 5/8 x 4	
2	See Note	NSS	Carriage (Note: Purchase Complete Assembly)	
3	3300240	2	Nut 5/8	
4	3423242	1	Pin	
5	90200003	2	Sleeve	
6	See Note	NSS	S/N Plate (Note: Stamped Part - Not Available for Purchase)	

SECTION 3 - ATTACHMENTS

FIGURE 3-22. CARRIAGE ASSEMBLY (60 INCH 12K) (SIDE TILT)



ART_1001233384-D

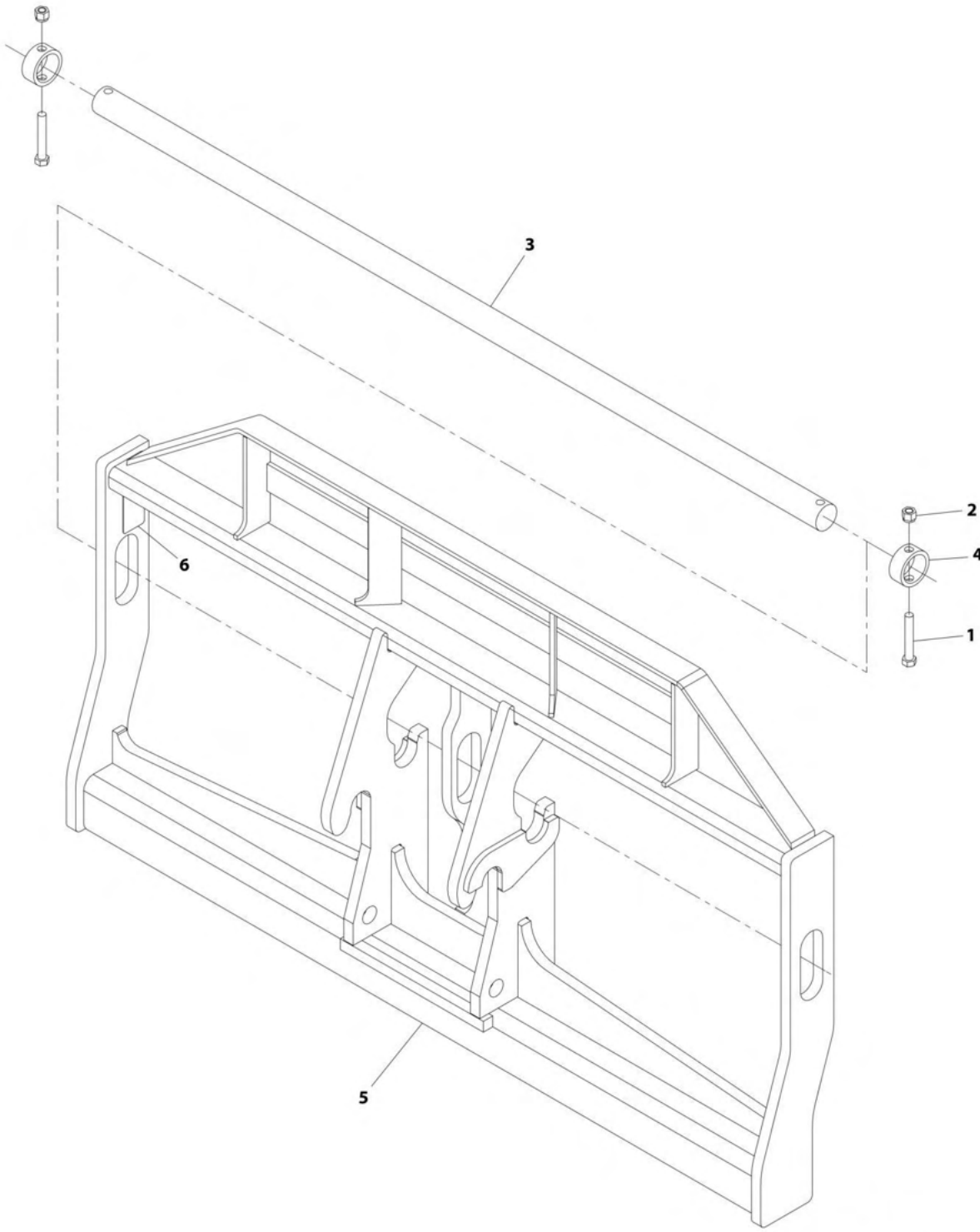
SECTION 3 - ATTACHMENTS

FIGURE 3-22. CARRIAGE ASSEMBLY (60 INCH 12K) (SIDE TILT)

ITEM	PART NUMBER	QTY	DESCRIPTION	REV
	1001233384	Ref	Side Tilt Carriage Assembly (60 Inch)	D
1	0100011	AR	Compound, Locking	
2	0641612	4	Bolt, 3/8X1-1/2	
3	0642032	2	Bolt, 5/8X4	
4	0681810	3	Bolt, 1/2X1-1/4	
5	0741610	6	Screw, 3/8X1-1/4	
6	2110606	2	Fitting, Straight	
7	2130808	2	Adapter, 90	
8	2172106	2	Fitting, 90	
9	3300240	2	Nut 5/8	
10	3423242	1	Pin	
11	3423307	2	Pin	
12	3841203	2	Keeper	
13	4891800	1	Washer	
14	8420053	1	Cap	
15	8420055	1	Plug	
16	88671001	1	Fitting, Grease	
17	90200003	2	Collar	
18	91403413	1	Fitting, Straight	
19	91403414	1	Fitting, Straight	
20	1001090063	2	Pad	
21	1001090064	AR	Shim	
22	1001090140	1	Bearing	
23	1001099113	1	Pin	
24	1001099115	2	Sleeve	
25	See Note	NSS	Carriage, Side tilt (Note: Purchase Complete Assembly)	
26	1001239734	2	Hose	
27	1001120914	1	Shim	
28	1001120915	1	Plate	
29	1001133072	1	Carriage, Base Pivot	
30	1001163414	1	Cylinder, Side Tilt (See Separate Breakdown in HYDRAULIC COMPONENTS Section)	
31	See Note	NSS	S/N Plate (Note: Stamped Part - Not Available for Purchase)	

SECTION 3 - ATTACHMENTS

FIGURE 3-23. CARRIAGE ASSEMBLY (72 INCH 12K)



ART_1001211516-D

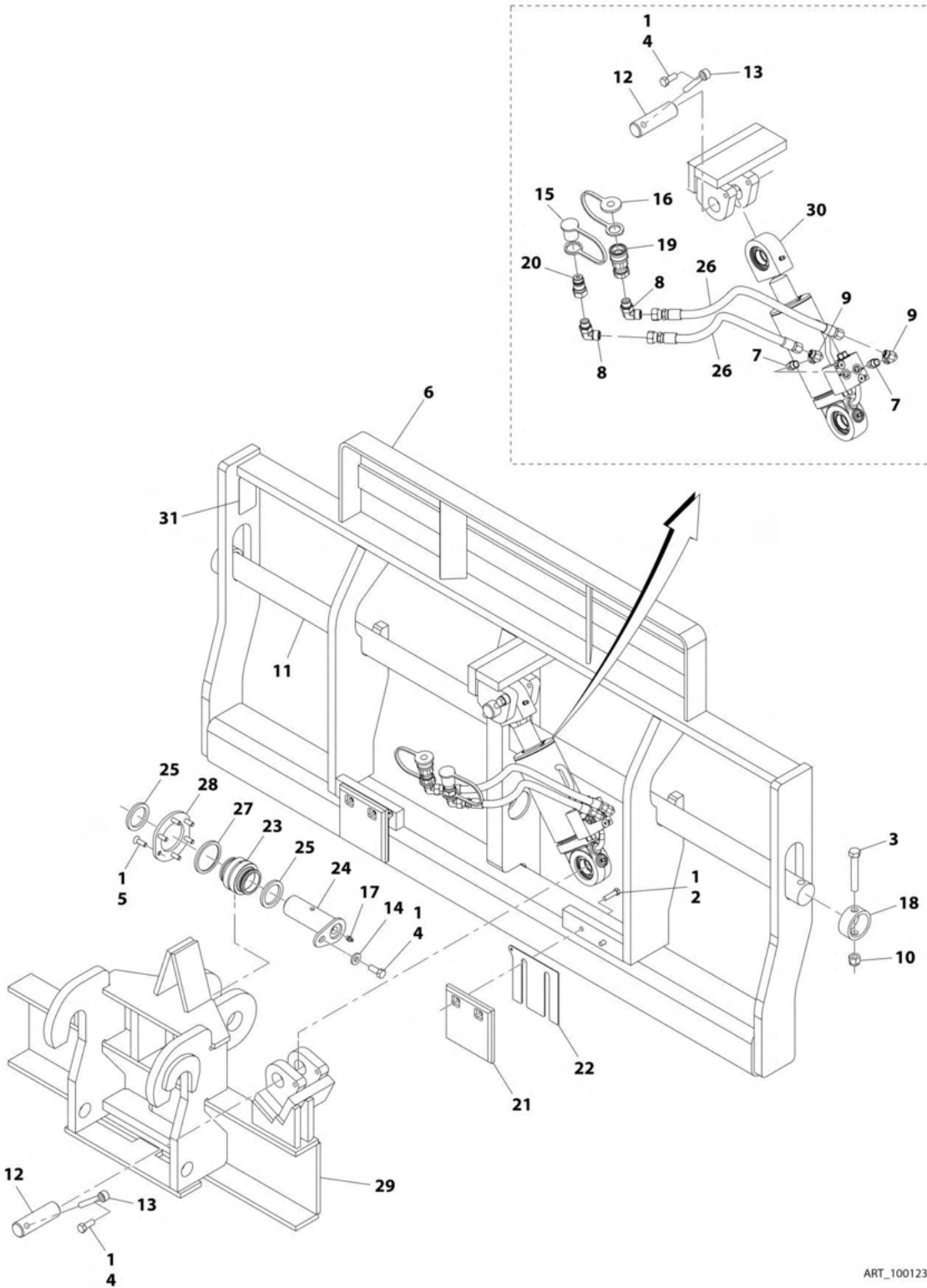
SECTION 3 - ATTACHMENTS

FIGURE 3-23. CARRIAGE ASSEMBLY (72 INCH 12K)

ITEM	PART NUMBER	QTY	DESCRIPTION	REV
	1001211516	Ref	CARRIAGE ASSEMBLY (72 INCH)	D
1	0642032	2	Bolt 5/8 x 4	
2	3300240	2	Nut 5/8	
3	3423276	1	Pin	
4	90200003	2	Sleeve	
5	See Note	NSS	Carriage (Note: Purchase Complete Assembly)	
6	See Note	NSS	S/N Plate (Note: Stamped Part - Not Available for Purchase)	

SECTION 3 - ATTACHMENTS

FIGURE 3-24. CARRIAGE ASSEMBLY (72 INCH 12K) (SIDE TILT)



ART_1001233385-C

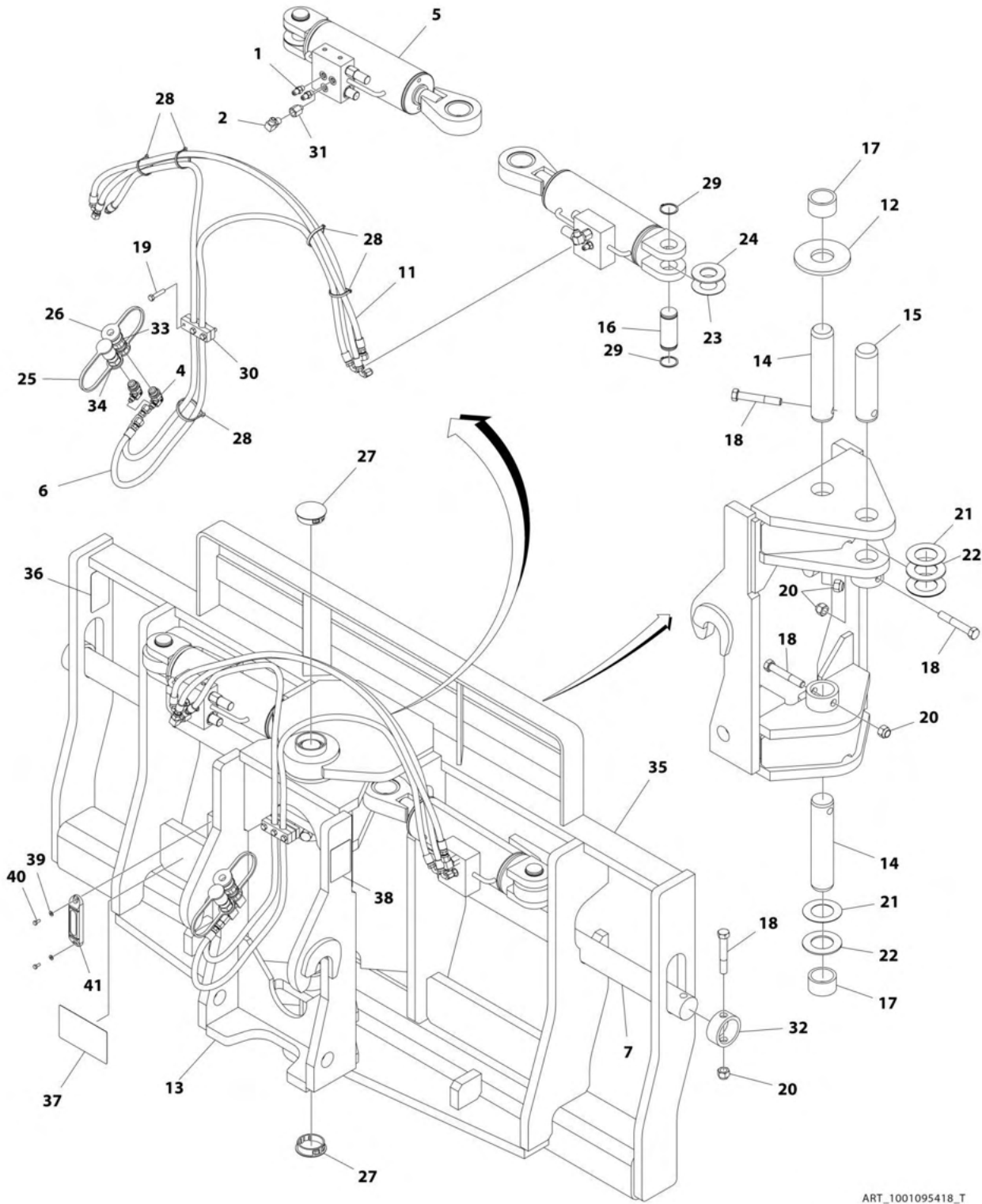
SECTION 3 - ATTACHMENTS

FIGURE 3-24. CARRIAGE ASSEMBLY (72 INCH 12K) (SIDE TILT)

ITEM	PART NUMBER	QTY	DESCRIPTION	REV
	1001233385	Ref	Side Tilt Carriage Assembly (72 Inch)	C
1	0100011	AR	Compound, Locking	
2	0641612	4	Bolt, 3/8X1-1/2	
3	0642032	2	Bolt, 5/8X4	
4	0681810	3	Bolt, 1/2X1-1/4	
5	0741610	6	Screw, 3/8X1-1/4	
6	See Note	NSS	Carriage, Side tilt (Note: Purchase Complet Assembly)	
7	2110606	2	Adapter, Straight	
8	2130808	2	Adapter, 90	
9	2172106	2	Adapter, 90	
10	3300240	2	Nut 5/8	
11	3423276	1	Pin, Fork	
12	3423307	2	Pin, Side Tilt Cylinder	
13	3841203	2	Keeper, Rod	
14	4891800	1	Washer, 1/2	
15	8420053	1	Cap, Dust	
16	8420055	1	Plug, Dust	
17	88671001	1	Fitting, Grease	
18	90200003	2	Collar, Fork Pin	
19	91403413	1	Adapter	
20	91403414	1	Adapter	
21	1001090063	2	Pad, Wear	
22	1001090064	AR	Shim, Wear Pad	
23	1001090140	1	Bearing, Side Tilt Spherical	
24	1001099113	1	Pin, Side Tilt Frame Pivot	
25	1001099115	2	Sleeve, Tilt Bearing Spacer	
26	1001239734	2	Hose	
27	1001120914	1	Shim, Bearing Retainer	
28	1001120915	1	Plate, Bearing Retainer	
29	1001133072	1	Carriage, Base Pivot	
30	1001163414	1	Cylinder, Side Tilt (See Separate Breakdown in HYDRAULIC COMPONENTS Section)	
31	See Note	NSS	S/N Plate (Note: Stamped Part - Not Available for Purchase)	

SECTION 3 - ATTACHMENTS

FIGURE 3-25. CARRIAGE ASSEMBLY (72 INCH 10K) (90 DEGREE SWING)



ART_1001095418_T

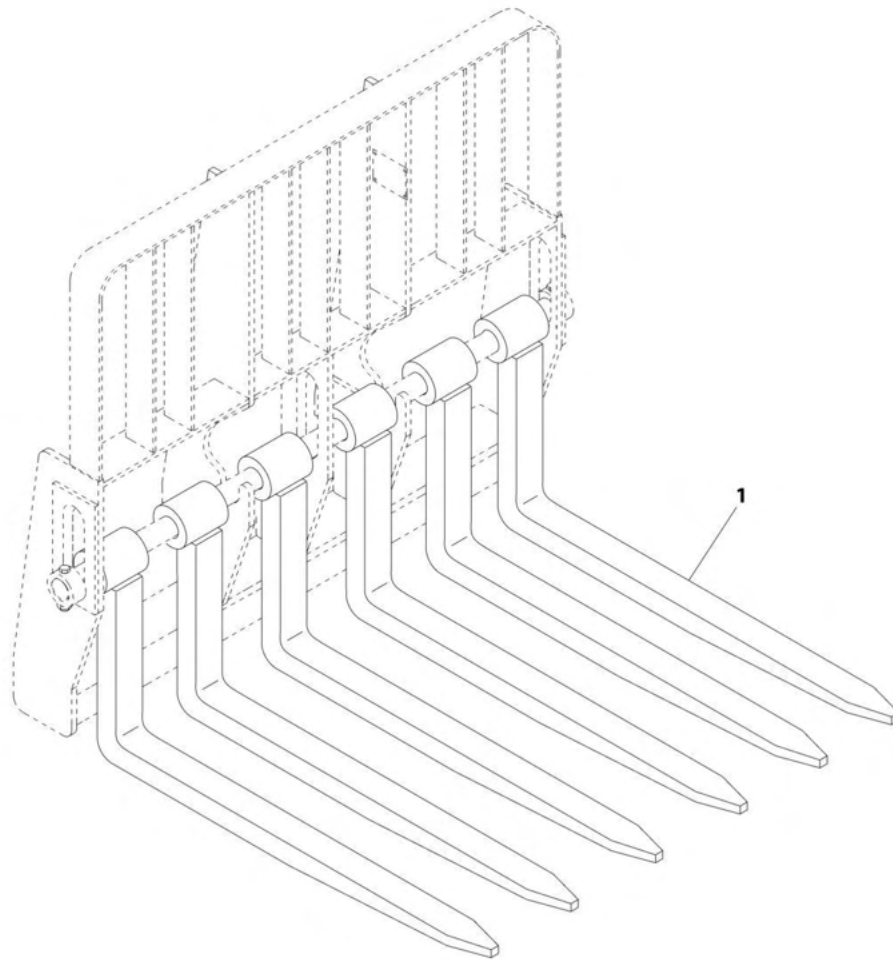
SECTION 3 - ATTACHMENTS

FIGURE 3-25. CARRIAGE ASSEMBLY (72 INCH 10K) (90 DEGREE SWING)

ITEM	PART NUMBER	QTY	DESCRIPTION	REV
	1001095418	Ref	CARRIAGE ASSEMBLY - SWING (72 INCH)	T
1	2220415	4	Fitting, Straight ORFS	
2	2220473	2	Fitting, 90 ORFS	
4	1001211139	2	Adapter, 90	
5	1001103182	2	Swing Carriage Cylinder (See Separate Breakdown in HYDRAULIC COMPONENTS Section)	
6	2717287	2	Hose	
7	3423276	1	Pin	
11	6604662	2	Hose	
12	7062922	1	Washer	
13	See Note	NSS	Pivot (Note: Purchase Complete Assembly)	
14	7110702	2	Pin	
15	7110712	1	Pin	
16	7110722	2	Pin	
17	8065062	2	Bushing	
18	8303634	5	Bolt 5/8 x 4	
19	8303715	3	Bolt 5/16 x 1-1/2	
20	8305643	5	Nut 5/8	
21	8307904	AR	Washer	
22	8307918	AR	Washer	
23	8310160	AR	Washer	
24	8310161	AR	Washer	
25	8420053	1	Cap	
26	8420055	1	Plug	
27	8580315	2	Plug	
28	8584001	5	Tie Wrap	
29	8642207	4	Ring, Retaining	
30	8769132	2	Clamp	
31	8770016	2	Fitting, Straight ORFS	
32	90200003	2	Collar	
33	91403413	1	Fitting, Straight ORFS	
34	91403414	1	Fitting, Straight	
35	See Note	NSS	Carriage (Note: Purchase Complete Assembly)	
36	See Note	NSS	SN Plate (Note: Stamped Part - Not Available for Purchase)	
37	1001110704	1	Decal, Warning Crushing Hazard	
38	1001111190	2	Decal, Warning	
39	4811400	2	Washer M4	
40	0760405	2	Bolt M4 x 10	
41	1001227670	1	Tag - RFID	

SECTION 3 - ATTACHMENTS

FIGURE 3-26. FORK - BLOCKING (50X50X1220MM)



ART_2340037

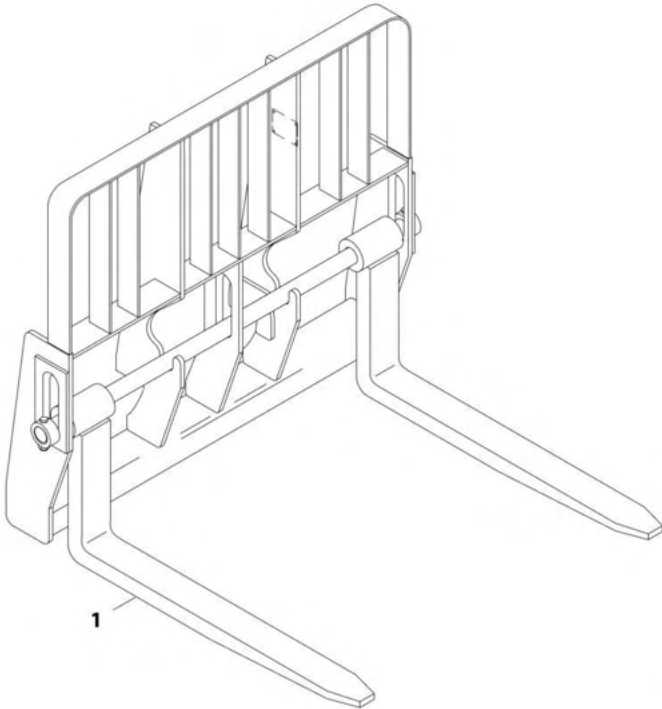
SECTION 3 - ATTACHMENTS

FIGURE 3-26. FORK - BLOCKING (50X50X1220MM)

ITEM	PART NUMBER	QTY	DESCRIPTION	REV
1	2340037	1	Cubing Fork (2.00X2X48)	A
	Note	Ref	FORKS RATED LESS THAN THE ATTACHMENT OR MACHINE'S CAPACITY DECREASES CAPACITY OF THE ATTACHMENT OR MACHINE TO THAT OF THE FORKS. FORKS RATED MORE THAN THE ATTACHMENT OR MACHINE'S CAPACITY DO NOT INCREASE ATTACHMENT OR MACHINE'S CAPACITY.	
	Note	Ref	PLEASE CONSULT JLG PARTS DEPARTMENT TO DETERMINE THE CORRECT FORKS APPLICABLE TO YOUR SPECIFIC CARRIAGE ASSEMBLY AND APPLICATION.	

SECTION 3 - ATTACHMENTS

FIGURE 3-27. FORK - LUMBER (50X180X1540MM)



ART_1001097110-A

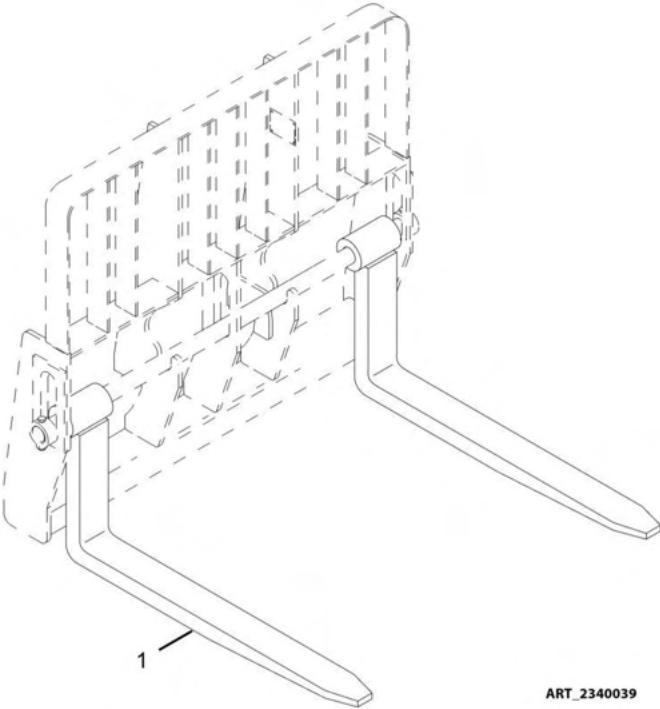
SECTION 3 - ATTACHMENTS

FIGURE 3-27. FORK - LUMBER (50X180X1540MM)

ITEM	PART NUMBER	QTY	DESCRIPTION	REV
1	1001097110	2	Lumber Fork (2.00X7X60)	A
	Note	Ref	FORKS RATED LESS THAN THE ATTACHMENT OR MACHINE'S CAPACITY DECREASES CAPACITY OF THE ATTACHMENT OR MACHINE TO THAT OF THE FORKS. FORKS RATED MORE THAN THE ATTACHMENT OR MACHINE'S CAPACITY DO NOT INCREASE ATTACHMENT OR MACHINE'S CAPACITY.	
	Note	Ref	PLEASE CONSULT JLG PARTS DEPARTMENT TO DETERMINE THE CORRECT FORKS APPLICABLE TO YOUR SPECIFIC CARRIAGE ASSEMBLY AND APPLICATION.	

SECTION 3 - ATTACHMENTS

FIGURE 3-28. FORK - LUMBER (60X150X1524MM)



ART_2340039

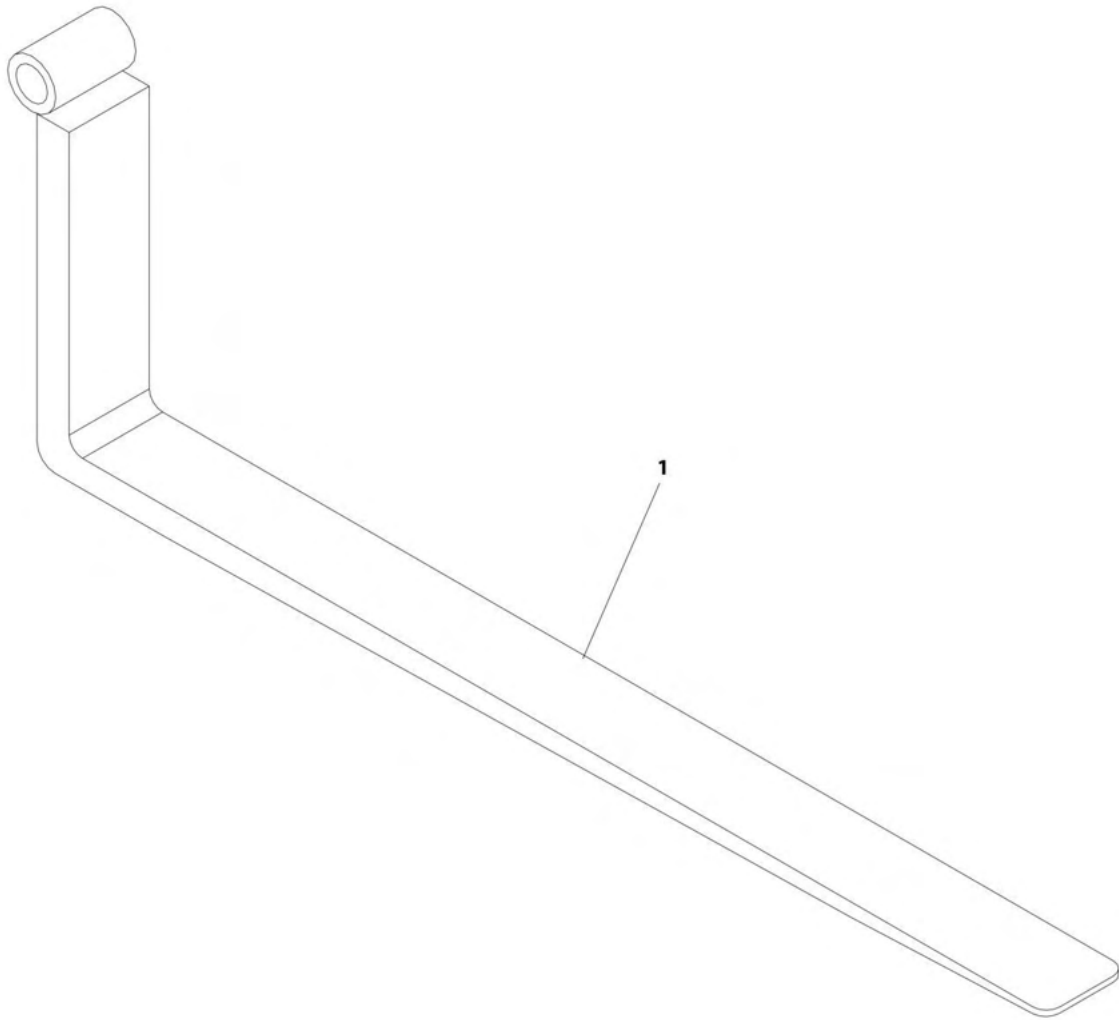
SECTION 3 - ATTACHMENTS

FIGURE 3-28. FORK - LUMBER (60X150X1524MM)

ITEM	PART NUMBER	QTY	DESCRIPTION	REV
1	2340039	2	Lumber Fork (60X150X1524)	
	Note	Ref	FORKS RATED LESS THAN THE ATTACHMENT OR MACHINE'S CAPACITY DECREASES CAPACITY OF THE ATTACHMENT OR MACHINE TO THAT OF THE FORKS. FORKS RATED MORE THAN THE ATTACHMENT OR MACHINE'S CAPACITY DO NOT INCREASE ATTACHMENT OR MACHINE'S CAPACITY.	
	Note	Ref	PLEASE CONSULT JLG PARTS DEPARTMENT TO DETERMINE THE CORRECT FORKS APPLICABLE TO YOUR SPECIFIC CARRIAGE ASSEMBLY AND APPLICATION.	

SECTION 3 - ATTACHMENTS

FIGURE 3-29. FORK - LUMBER (2.00X6X72)



ART_1001259206

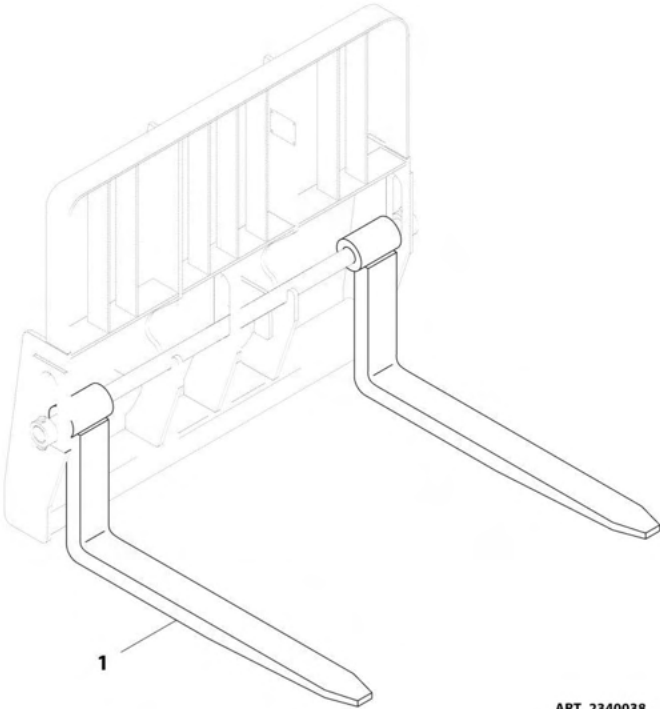
SECTION 3 - ATTACHMENTS

FIGURE 3-29. FORK - LUMBER (2.00X6X72)

ITEM	PART NUMBER	QTY	DESCRIPTION	REV
1	1001259206	2	Dual Taper Fork (2.00X6X72)	A
	Note	Ref	FORKS RATED LESS THAN THE ATTACHMENT OR MACHINE'S CAPACITY DECREASES CAPACITY OF THE ATTACHMENT OR MACHINE TO THAT OF THE FORKS. FORKS RATED MORE THAN THE ATTACHMENT OR MACHINE'S CAPACITY DO NOT INCREASE ATTACHMENT OR MACHINE'S CAPACITY.	
	Note	Ref	PLEASE CONSULT JLG PARTS DEPARTMENT TO DETERMINE THE CORRECT FORKS APPLICABLE TO YOUR SPECIFIC CARRIAGE ASSEMBLY AND APPLICATION.	

SECTION 3 - ATTACHMENTS

FIGURE 3-30. FORK - PALLET (2.36X5X48)



ART_2340038

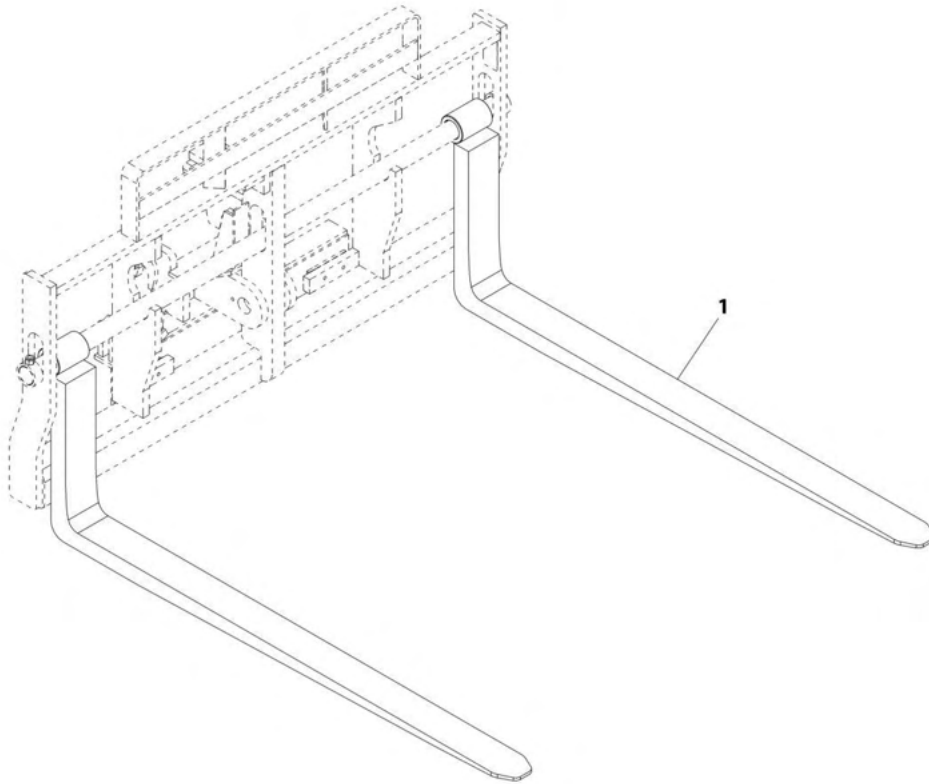
SECTION 3 - ATTACHMENTS

FIGURE 3-30. FORK - PALLET (2.36X5X48)

ITEM	PART NUMBER	QTY	DESCRIPTION	REV
1	2340038	2	Pallet Fork (2.36X5X48)	B
	Note	Ref	FORKS RATED LESS THAN THE ATTACHMENT OR MACHINE'S CAPACITY DECREASES CAPACITY OF THE ATTACHMENT OR MACHINE TO THAT OF THE FORKS. FORKS RATED MORE THAN THE ATTACHMENT OR MACHINE'S CAPACITY DO NOT INCREASE ATTACHMENT OR MACHINE'S CAPACITY.	
	Note	Ref	PLEASE CONSULT JLG PARTS DEPARTMENT TO DETERMINE THE CORRECT FORKS APPLICABLE TO YOUR SPECIFIC CARRIAGE ASSEMBLY AND APPLICATION.	

SECTION 3 - ATTACHMENTS

FIGURE 3-31. FORK - PALLET (2.36X5X72)



ART_1001232355

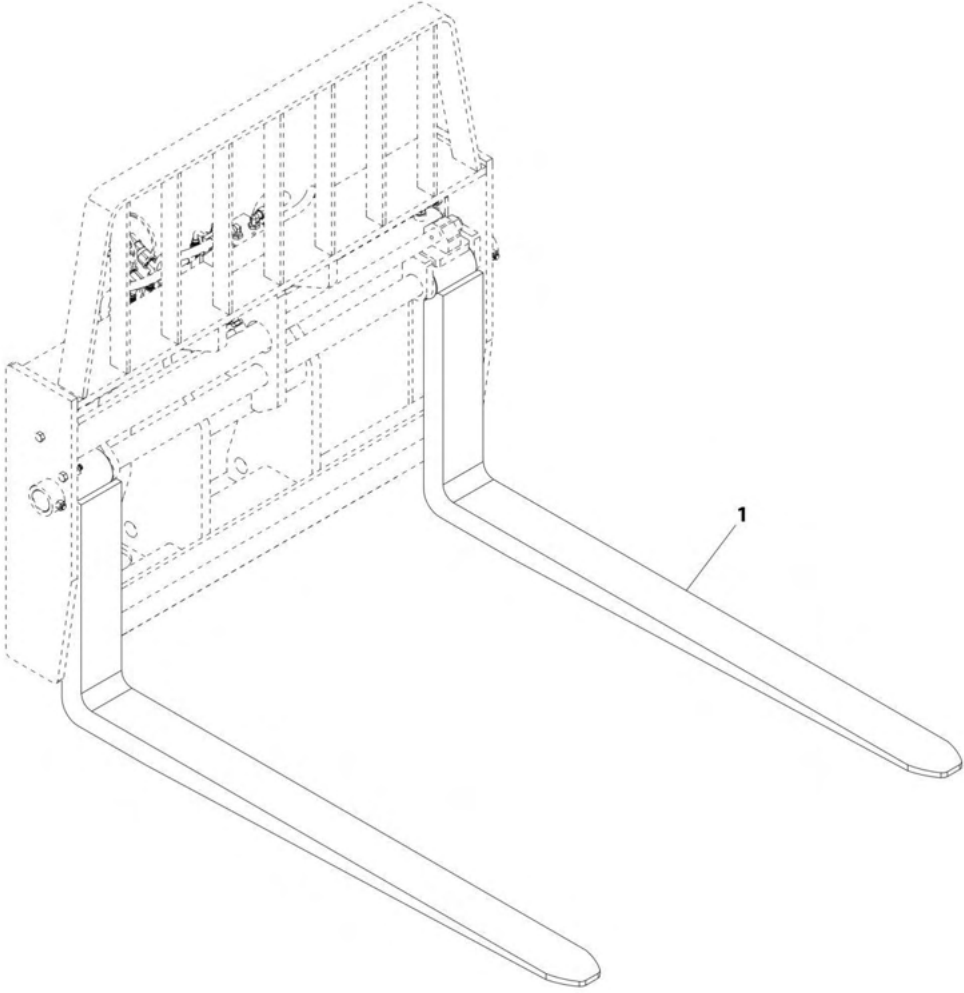
SECTION 3 - ATTACHMENTS

FIGURE 3-31. FORK - PALLET (2.36X5X72)

ITEM	PART NUMBER	QTY	DESCRIPTION	REV
	1001232355	1 pr	Pallet Fork (2.36X5X72)	A
	Note	Ref	FORKS RATED LESS THAN THE ATTACHMENT OR MACHINE'S CAPACITY DECREASES CAPACITY OF THE ATTACHMENT OR MACHINE TO THAT OF THE FORKS. FORKS RATED MORE THAN THE ATTACHMENT OR MACHINE'S CAPACITY DO NOT INCREASE ATTACHMENT OR MACHINE'S CAPACITY.	
	Note	Ref	PLEASE CONSULT JLG PARTS DEPARTMENT TO DETERMINE THE CORRECT FORKS APPLICABLE TO YOUR SPECIFIC CARRIAGE ASSEMBLY AND APPLICATION.	

SECTION 3 - ATTACHMENTS

FIGURE 3-32. FORK - PALLET (60X125X1524MM)



ART_1001227382

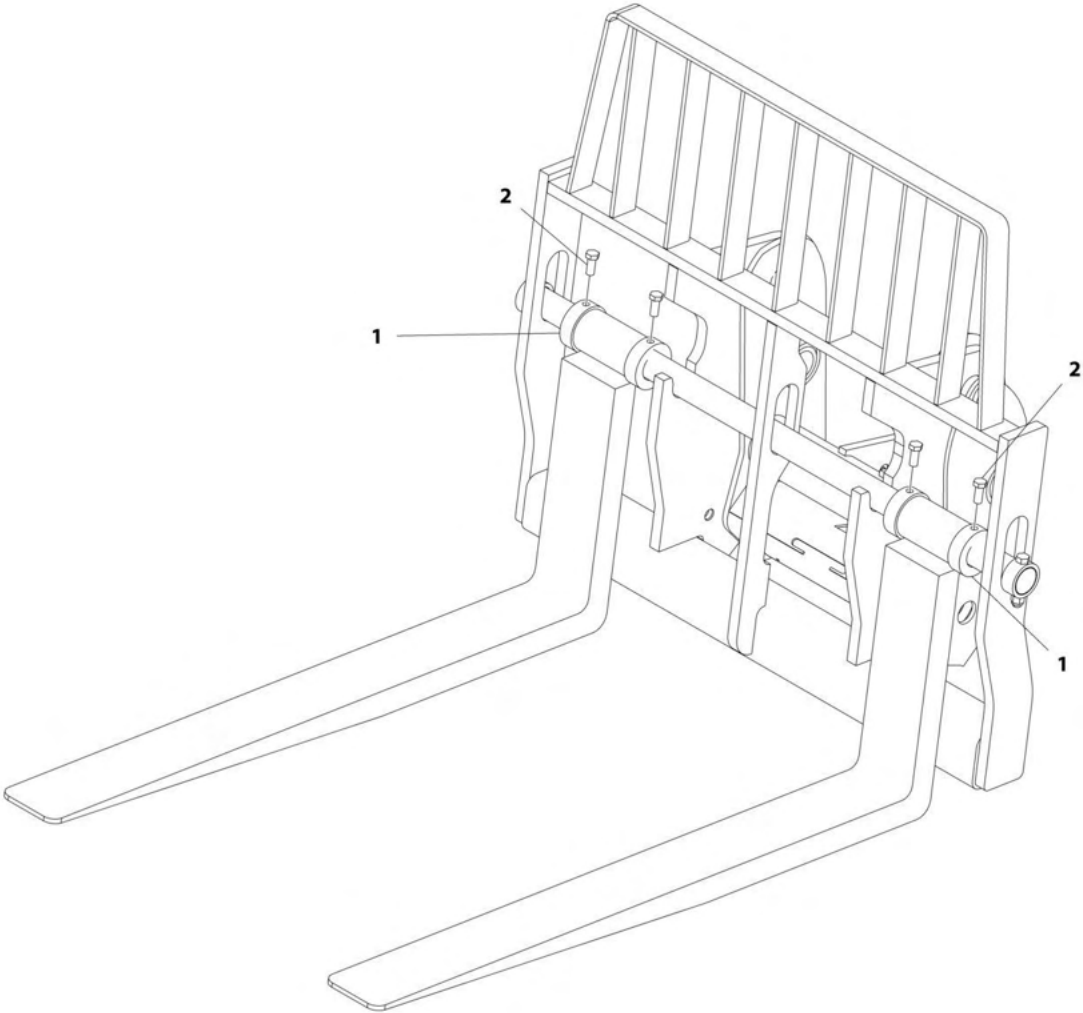
SECTION 3 - ATTACHMENTS

FIGURE 3-32. FORK - PALLET (60X125X1524MM)

ITEM	PART NUMBER	QTY	DESCRIPTION	REV
1	1001227382	1	Pallet Fork (2.36X5X60)	A
N1	Note	Ref	FORKS RATED LESS THAN THE ATTACHMENT OR MACHINE'S CAPACITY DECREASES CAPACITY OF THE ATTACHMENT OR MACHINE TO THAT OF THE FORKS. FORKS RATED MORE THAN THE ATTACHMENT OR MACHINE'S CAPACITY DO NOT INCREASE ATTACHMENT OR MACHINE'S CAPACITY.	
N2	Note	Ref	PLEASE CONSULT JLG PARTS DEPARTMENT TO DETERMINE THE CORRECT FORKS APPLICABLE TO YOUR SPECIFIC CARRIAGE ASSEMBLY AND APPLICATION.	

SECTION 3 - ATTACHMENTS

FIGURE 3-33. FORK CLAMPS INSTALLATION



ART_1001094134-A

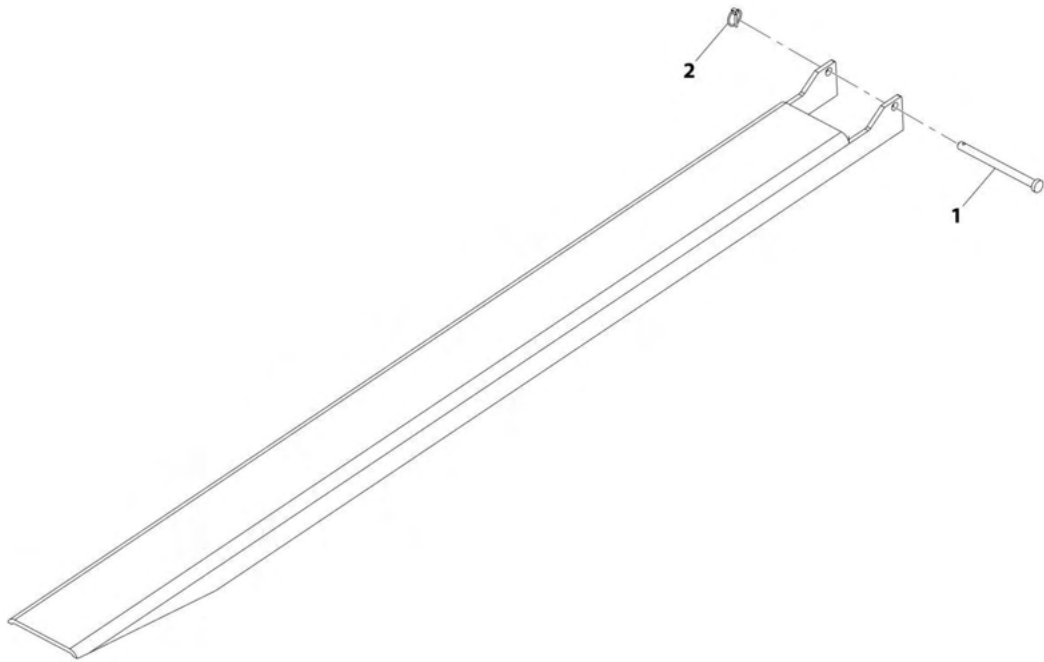
SECTION 3 - ATTACHMENTS

FIGURE 3-33. FORK CLAMPS INSTALLATION

ITEM	PART NUMBER	QTY	DESCRIPTION	REV
	1001094134	Ref	Fork Clamps Installation	A
1	1001094136	4	Clamp, Fork	
2	10700681	4	Bolt, 0.625-18X1.5	

SECTION 3 - ATTACHMENTS

FIGURE 3-34. FORK EXTENSIONS (62X163X2286MM)



ART_1001137512-D

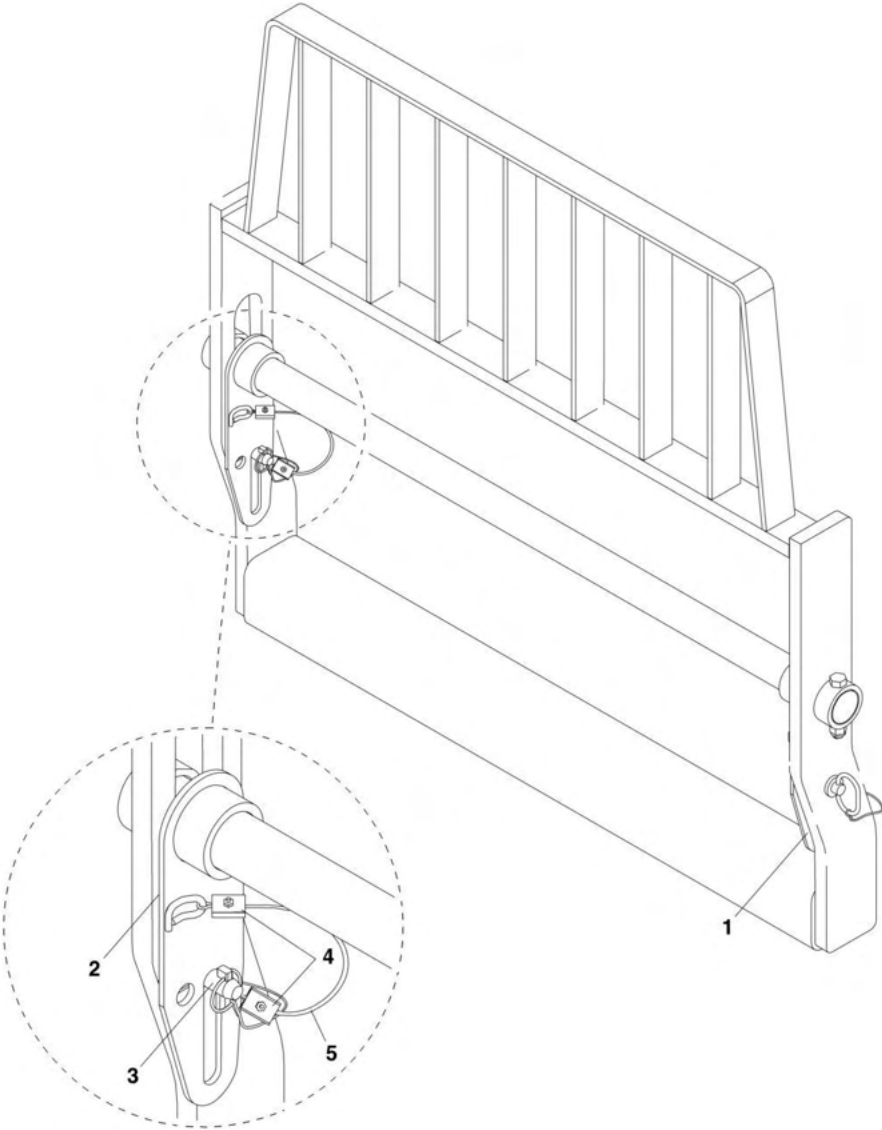
SECTION 3 - ATTACHMENTS

FIGURE 3-34. FORK EXTENSIONS (62X163X2286MM)

ITEM	PART NUMBER	QTY	DESCRIPTION	REV
	1001137512	2 pr	Fork Extensions (62X163X2286)	D
1	70024306	1	Pin	
2	70024307	1	Clip	

SECTION 3 - ATTACHMENTS

FIGURE 3-35. FORK PIN LOCK INSTALLATION



ART_1001093465_B

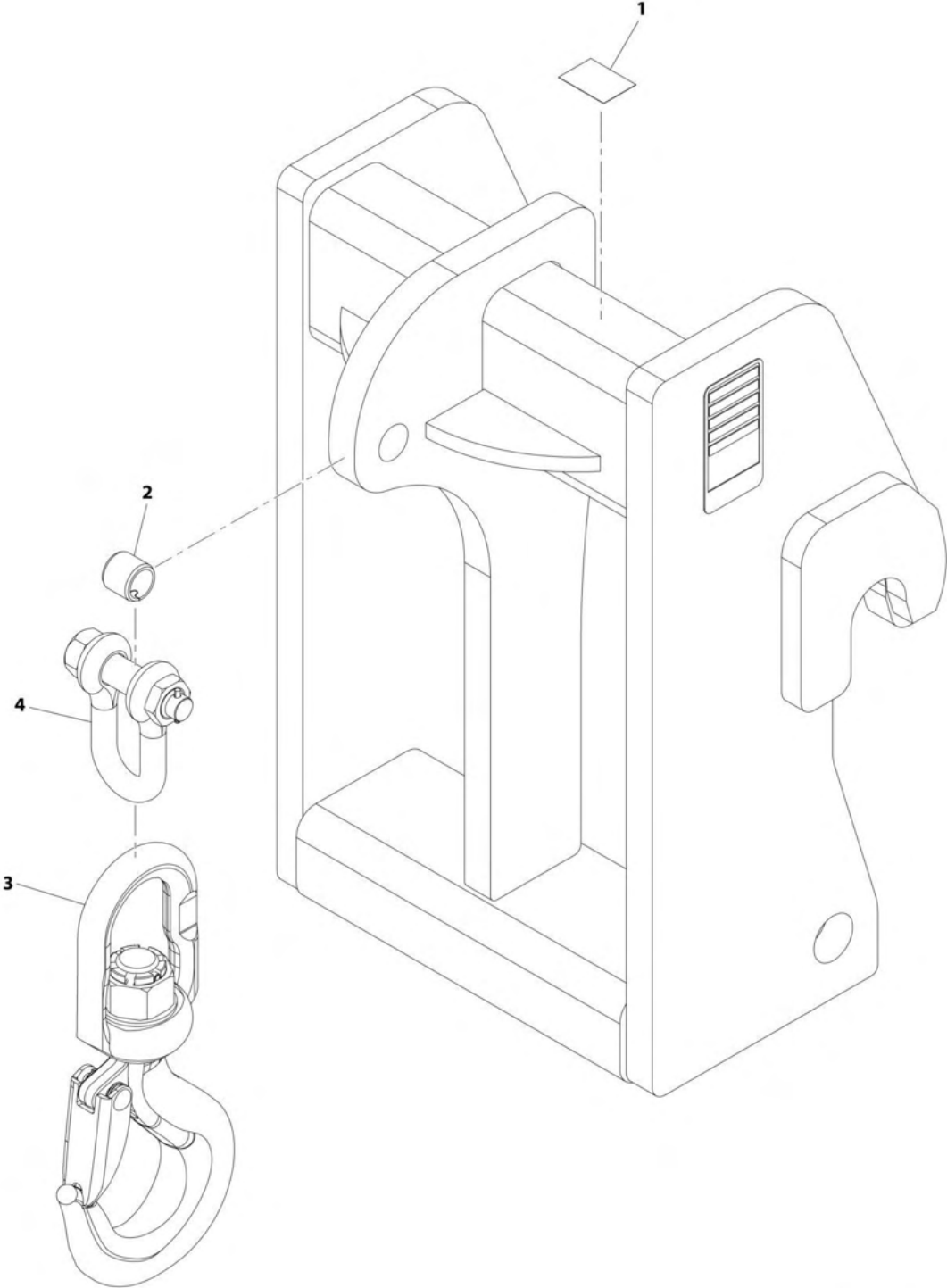
SECTION 3 - ATTACHMENTS

FIGURE 3-35. FORK PIN LOCK INSTALLATION

ITEM	PART NUMBER	QTY	DESCRIPTION	REV
	1001093465	Ref	Fork Pin Lock Installation	B
1	0240156	1	Lock, LH Fork Pin	
2	1001093273	1	Lock, RH Fork Pin	
3	1001093377	2	Pin, Hitch	
4	1001094830	4	Clamp	
5	1001094330	2	Lanyard	

SECTION 3 - ATTACHMENTS

FIGURE 3-36. HOOK - CRANE



ART_1001207606-C

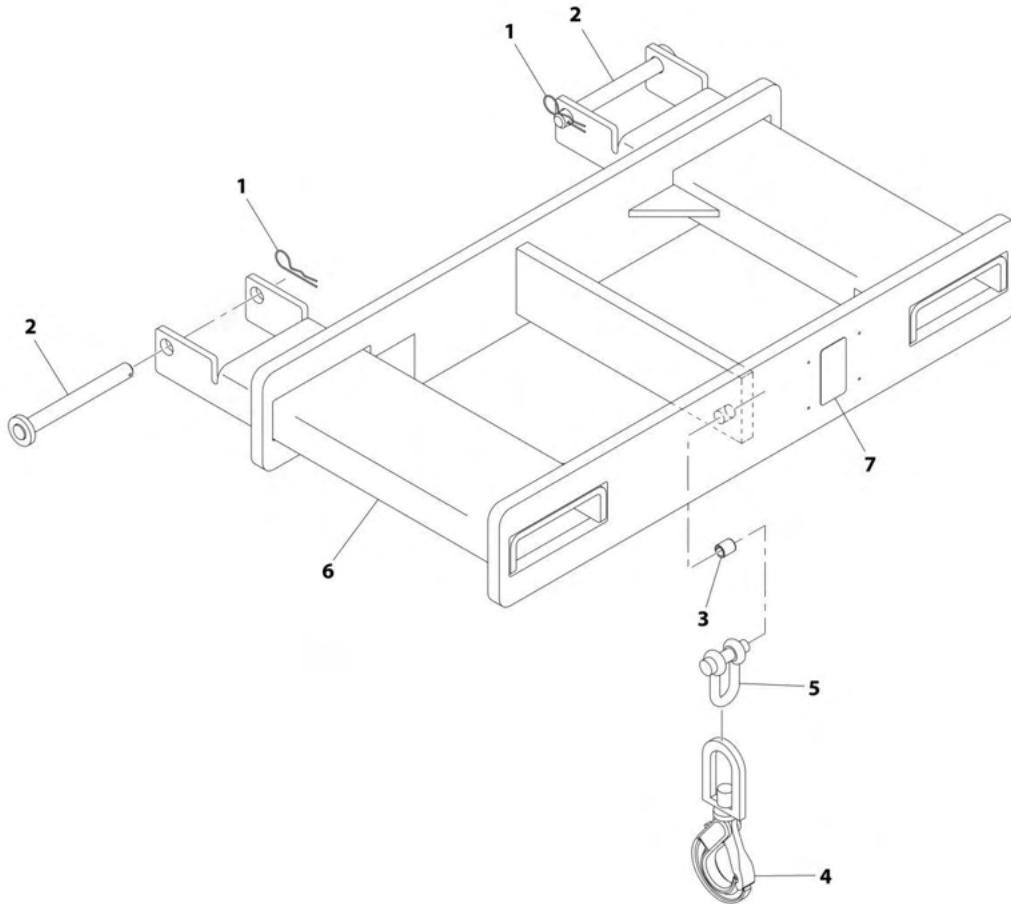
SECTION 3 - ATTACHMENTS

FIGURE 3-36. HOOK - CRANE

ITEM	PART NUMBER	QTY	DESCRIPTION	REV
	1001207606	Ref	COUPLER MOUNTED HOOK	C
1	90554016	1	Decal	
2	70020555	1	Bushing	
3	70026745	1	Hook Swivel	
4	70026746	1	Shackle Chain	

SECTION 3 - ATTACHMENTS

FIGURE 3-37. HOOK - FRAME MOUNTED (4T)



ART_1001097205-I

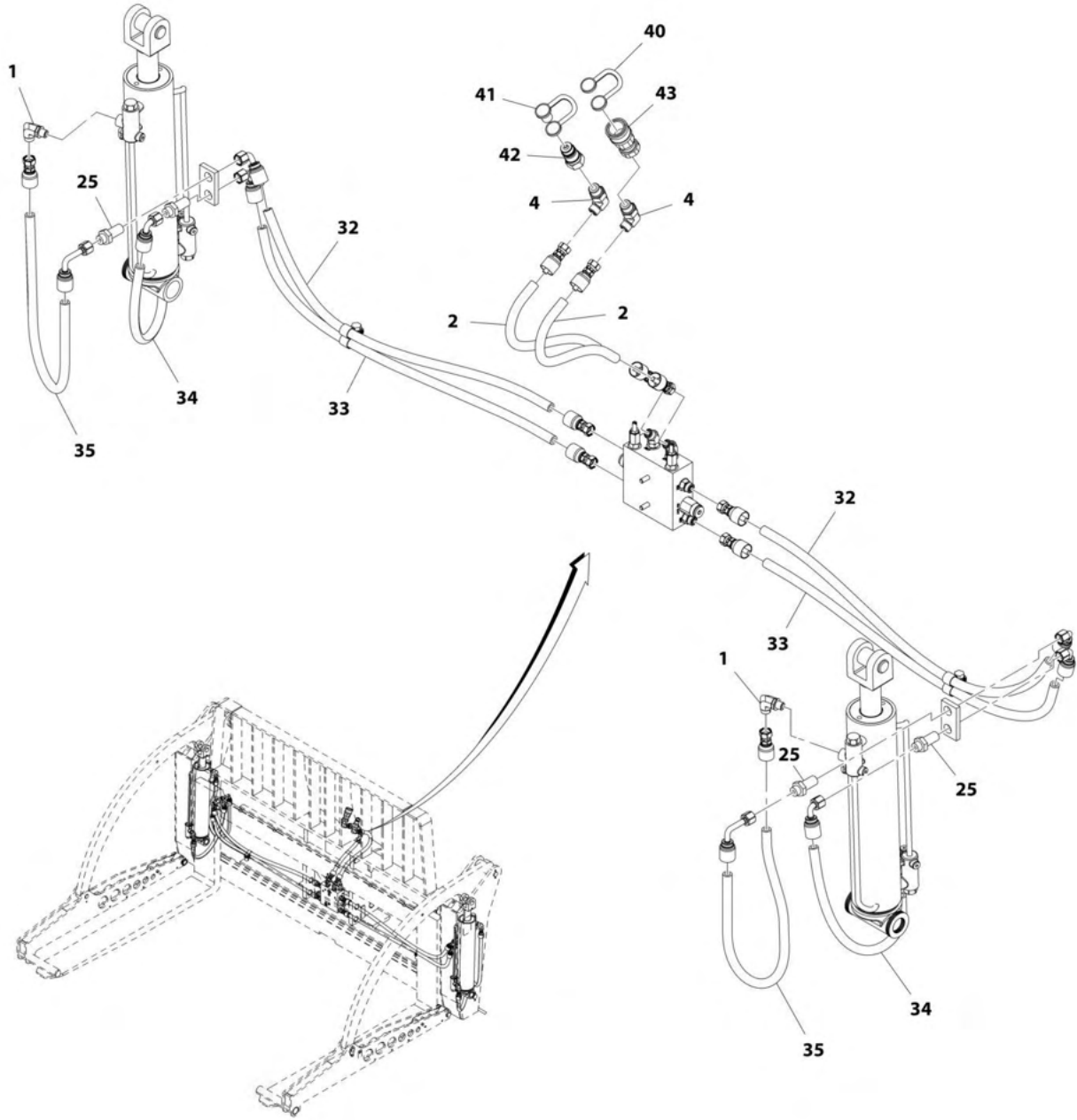
SECTION 3 - ATTACHMENTS

FIGURE 3-37. HOOK - FRAME MOUNTED (4T)

ITEM	PART NUMBER	QTY	DESCRIPTION	REV
	1001097205	Ref	Fork Mounted Hook (4 Ton)	I
1	7029520	2	Pin, Cotter	
2	1001093171	2	Pin	
3	70020555	1	Bushing	
4	90554080	1	Hook	
5	7029521	1	Shackle	
6	See Note	NSS	Frame, Hook (Note: Purchase Complete Assembly)	
7	See Note	NSS	S/N Plate (Note: Stamped Part - Not Available for Purchase)	

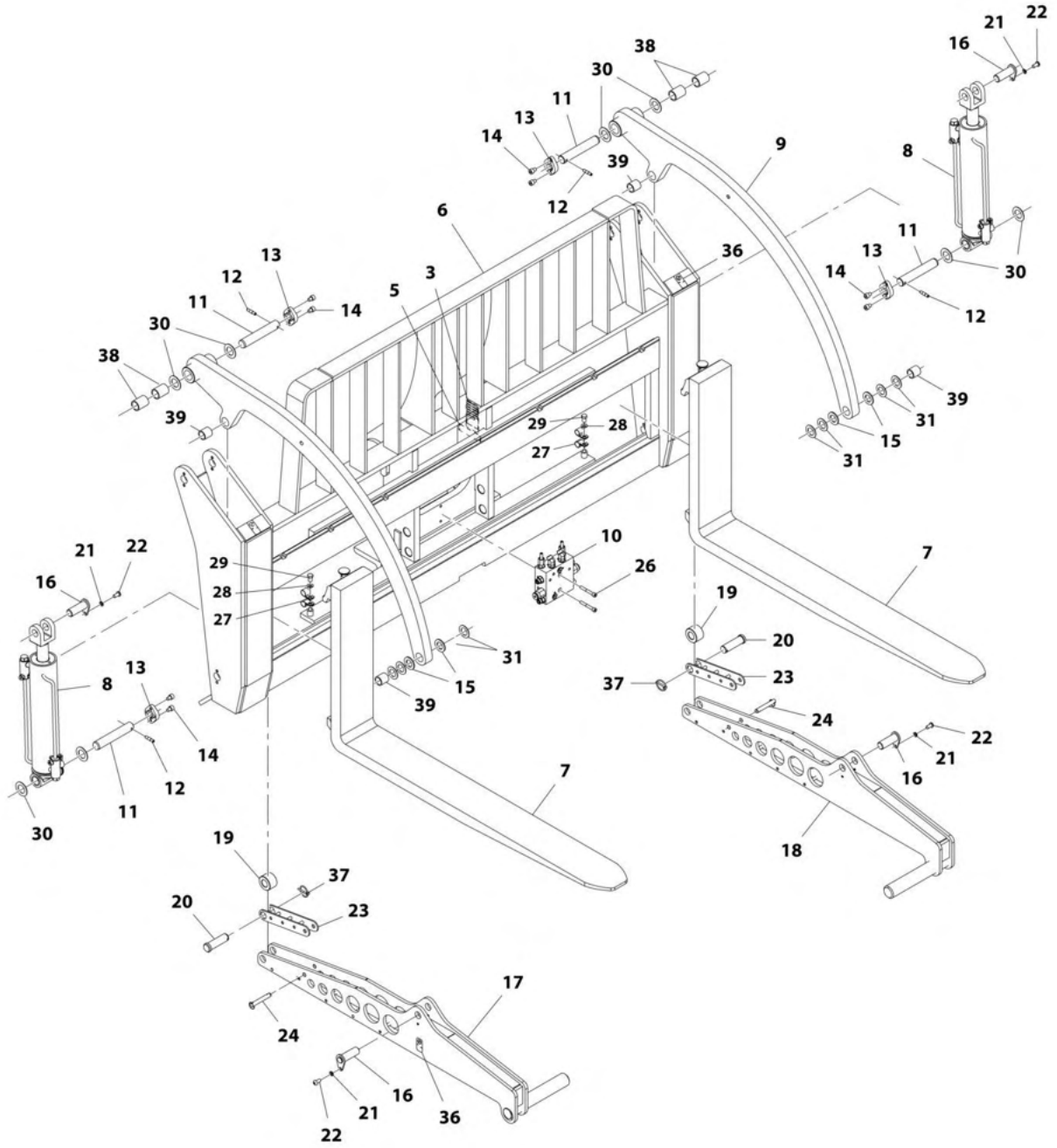
SECTION 3 - ATTACHMENTS

FIGURE 3-38. PIPE GRAPPLE



ART_1001142247_1-E

SECTION 3 - ATTACHMENTS



ART_1001142247_2-E

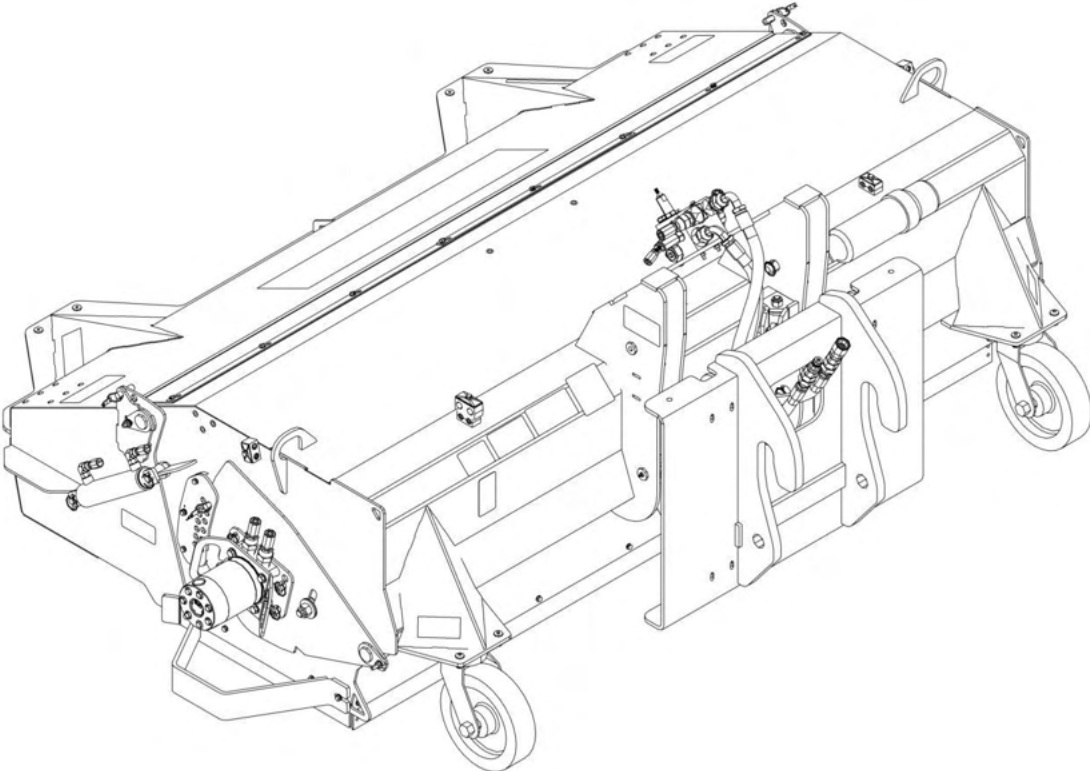
SECTION 3 - ATTACHMENTS

FIGURE 3-38. PIPE GRAPPLE

ITEM	PART NUMBER	QTY	DESCRIPTION	REV
	1001142247	Ref	Pipe Handler Assembly	E
	70026585	1	Hydraulic Supply Group (includes items 1, 2, 4, 25 & 32 thru 35 & 40 thru 43)	
1	70024123	4	Fitting, 90	
2	70026347	2	Hose	
3	See Note	NSS	JLG Plate (Note: Stamped Part - Not Available for Purchase)	
4	70024550	2	Fitting, 90	
5	See Note	NSS	S/N Plate (Note: Stamped Part - Not Available for Purchase)	
6	See Note	NSS	Carriage (Note: Purchase Complete Assembly)	
7	70026586	2	Fork	
8	70026587	2	Cylinder, Pipe Handler (See Separate Breakdown in HYDRAULIC COMPONENTS Section)	
9	70026588	2	Arm	
10	70026589	1	Valve Assembly (See Separate Breakdown in HYDRAULIC CIRCUITS Section)	
11	70026470	4	Pin	
12	70026471	4	Pin Drive - Lock	
13	70026472	4	Retainer	
14	70026473	8	Capscrew, M10 x 12	
15	70026590	4	Thrust Washer	
16	70026591	4	Pin Weldment	
17	70026592	1	Contact Pad - RH	
18	70026593	1	Contact Pad - LH	
19	70026594	2	Roller	
20	70026595	2	Clevis Pin	
21	70026596	4	Lockwasher, M8	
22	70026597	4	Capscrew, M8 x 16	
23	70026598	2	Retainer	
24	70026599	2	Ring Detent Pin	
25	70023000	4	Fitting	
26	70026600	2	Capscrew, M8 x 60	
27	70026481	4	Hose Clamp	
28	70026482	2	Washer	
29	70022996	2	Capscrew, M10X16	
30	70026476	24	Shim	
31	70026601	8	Shim	
32	70026602	2	Hose	
33	70026603	2	Hose	
34	70026604	2	Hose	
35	70026605	2	Hose	
36	70024538	4	Warning Decal	
37	70026606	2	Lynch Pin, 3/16	
38	70026501	4	Bushing	
39	70026607	4	Bushing	
40	70026608	1	Plug	
41	70026609	1	Cap	
42	91403414	1	Coupler - Male	
43	91403413	1	Coupler - Female	

SECTION 3 - ATTACHMENTS

FIGURE 3-39. SWEEPER ASSEMBLY



ART_1001202904-B

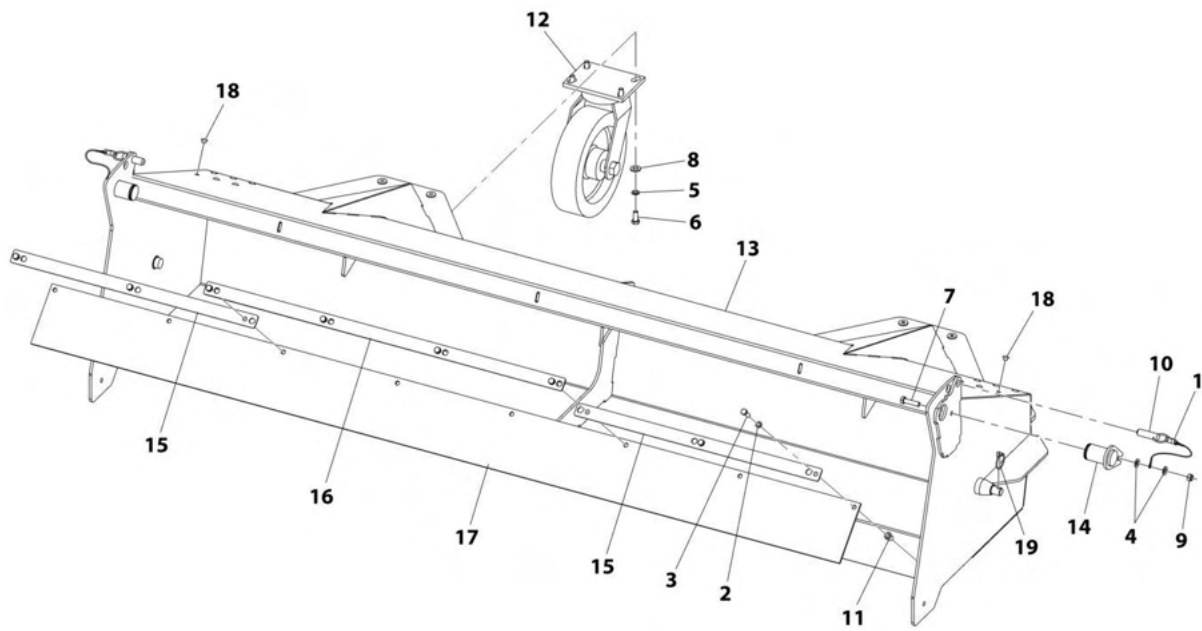
SECTION 3 - ATTACHMENTS

FIGURE 3-39. SWEEPER ASSEMBLY

ITEM	PART NUMBER	QTY	DESCRIPTION	REV
	1001202904	Ref	Sweeper Assembly	B
		Ref	Sweeper Assembly- Hopper (See Separate Breakdown in this Section)	
		Ref	Sweeper Assembly - Body (See Separate Breakdown in this Section)	
		Ref	Sweeper Assembly - Motor (See Separate Breakdown in this Section)	
		Ref	Sweeper Assembly - Idler (See Separate Breakdown in this Section)	
		Ref	Sweeper Assembly - Core (See Separate Breakdown in this Section)	
		Ref	Sweeper Assembly - Hydraulic Single Motor (See Separate Breakdown in this Section)	

SECTION 3 - ATTACHMENTS

FIGURE 3-40. SWEEPER - HOPPER



ART_1001202904_1-B

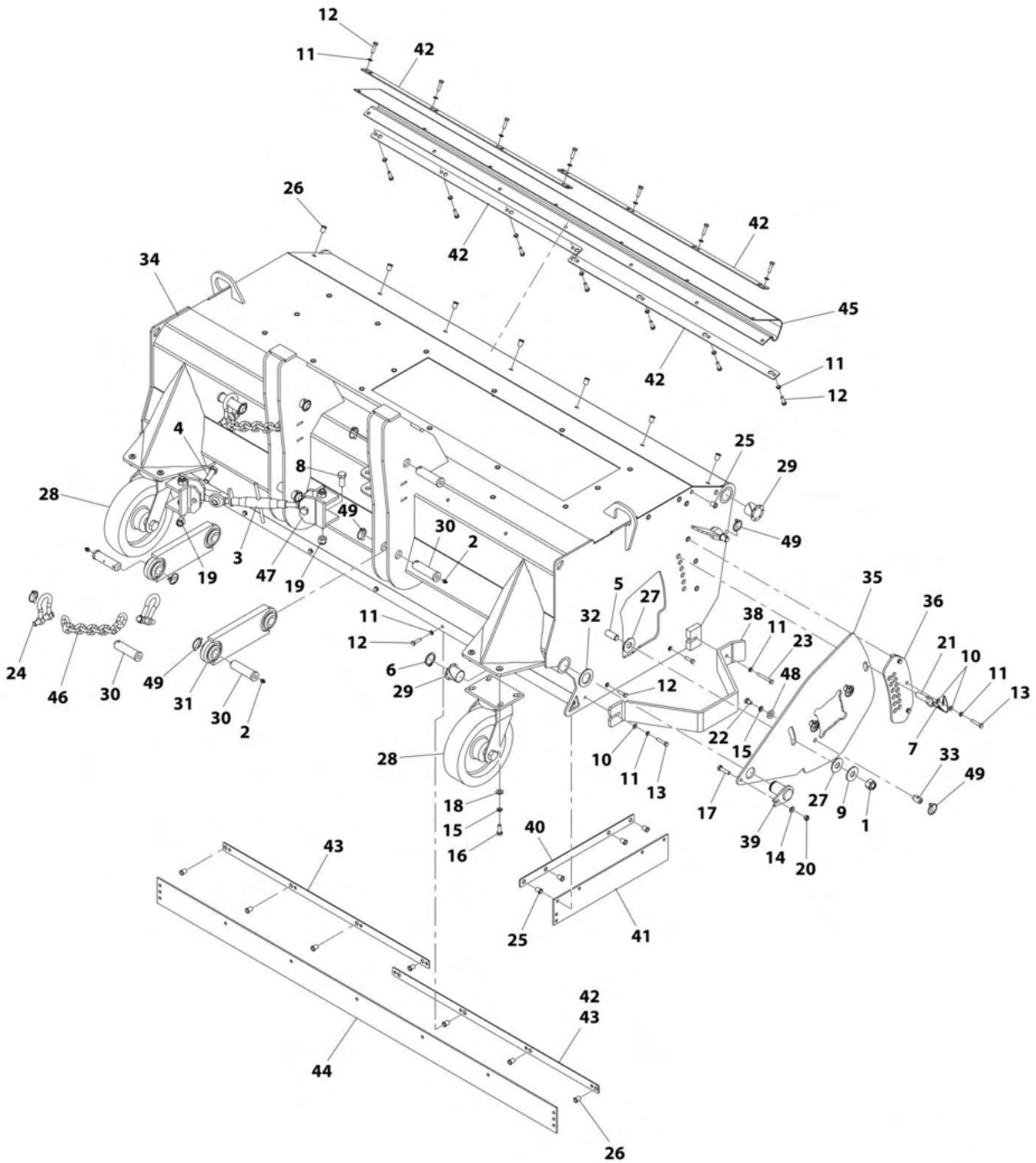
SECTION 3 - ATTACHMENTS

FIGURE 3-40. SWEEPER - HOPPER

ITEM	PART NUMBER	QTY	DESCRIPTION	REV
1	70029725	2	Lanyard	
2	70029734	8	Washer	
3	70029735	8	Screw	
4	70029738	4	Washer	
5	70029739	8	Washer	
6	70029740	8	Screw	
7	70029742	2	Screw	
8	70029743	8	Washer	
9	70029747	2	Nut	
10	70029750	2	Pin	
11	70029756	8	Nut	
12	70029762	2	Assembly, Caster	
13	See Note	NSS	Hopper (Note: Purchase Complete Assembly)	
14	70029777	2	Pin	
15	70029780	2	Plate	
16	70029781	1	Plate	
17	70029785	1	Flap	
18	70029792	12	Plug	
19	70029794	2	Pin, Lynch	

SECTION 3 - ATTACHMENTS

FIGURE 3-41. SWEEPER - BODY



ART_1001202904_2-B

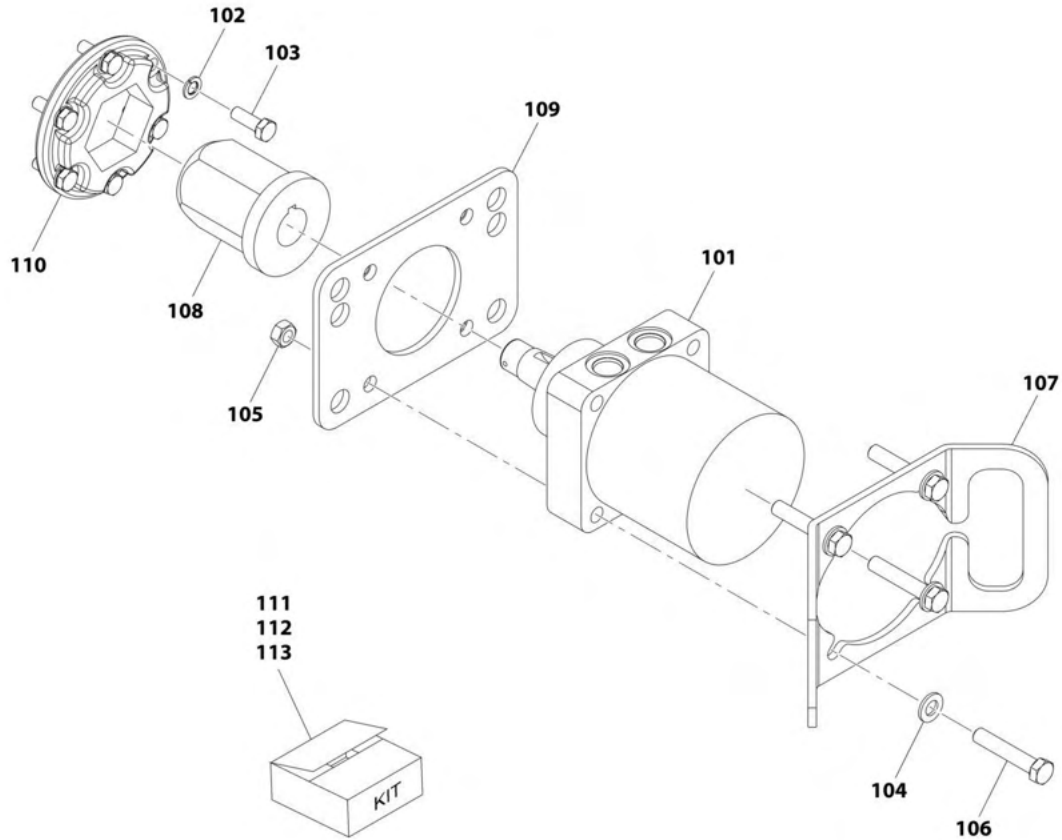
SECTION 3 - ATTACHMENTS

FIGURE 3-41. SWEEPER - BODY

ITEM	PART NUMBER	QTY	DESCRIPTION	REV
1	70029720	2	Nut	
2	70029721	4	Fitting, Grease	
3	70029722	1	Toplink	
4	70029723	2	Screw	
5	70020004	2	Screw	
6	70029724	2	Ring, Snap	
7	70029725	2	Lanyard	
8	70029726	4	Screw	
9	70029728	2	Washer	
10	70029732	6	Washer	
11	70029734	38	Washer	
12	70029735	32	Screw	
13	70029736	4	Screw	
14	70029738	2	Washer	
15	70029739	14	Washer	
16	70029741	8	Screw	
17	70029742	2	Screw	
18	70029743	8	Washer	
19	70029745	6	Nut	
20	70029747	2	Nut	
21	70029729	2	Pin	
22	70029751	6	Screw	
23	70029752	2	Screw	
24	70029755	4	Shackle	
25	70029756	45	Nut	
26	70029757	25	Nut	
27	70029760	4	Washer	
28	70029762	2	Assembly, Caster	
29	70029764	4	Bearing	
30	70029765	8	Pin	
31	70029766	2	Link	
32	70029767	2	Washer	
33	70029768	6	Stud	
34	See Note	NSS	Body, Sweeper (Note: Purchase Complete Assembly)	
35	70029773	2	Plate	
36	70029774	2	Plate	
37	70029775	2	Plate	
38	70029776	2	Plate	
39	70029777	2	Pin	
40	70029778	2	Plate	
41	70029779	2	Flap	
42	70029780	6	Plate	
43	70029781	3	Plate	
44	70029784	1	Flap	
45	70029786	1	Flap	
46	70029788	2	Chain	
47	70029790	2	Toplink	
48	70029793	6	Washer	
49	70029794	16	Pin, Lynch	

SECTION 3 - ATTACHMENTS

FIGURE 3-42. SWEEPER - MOTOR



ART_1001202904_3-B

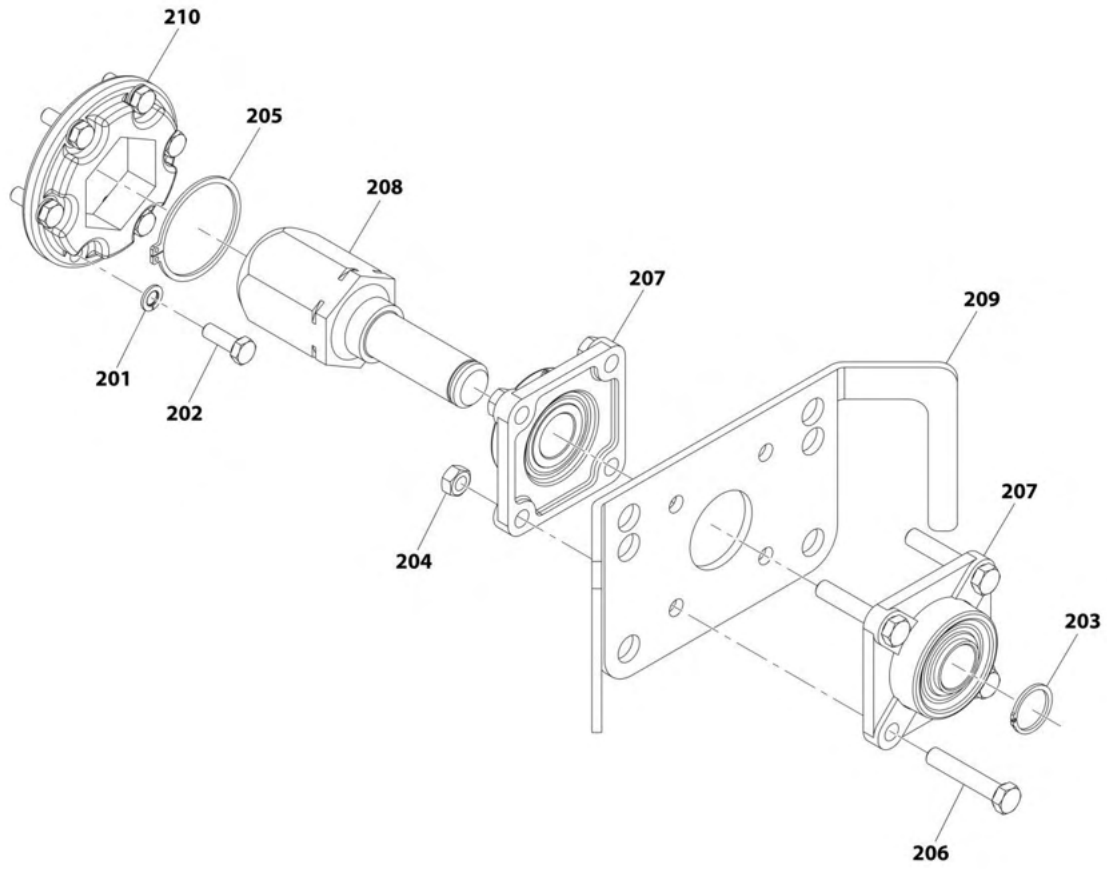
SECTION 3 - ATTACHMENTS

FIGURE 3-42. SWEEPER - MOTOR

ITEM	PART NUMBER	QTY	DESCRIPTION	REV
101	70029717	1	Motor	
102	70029739	6	Washer	
103	70029741	6	Screw	
104	70029743	4	Washer	
105	70029746	4	Nut	
106	70029749	4	Screw	
107	70029769	1	Plate	
108	70029771	1	Hub	
109	70029772	1	Plate	
110	70029789	1	Plate	
111	70029719	1	Nut, Motor Shaft Lock	
112	70029718	1	Kit, Seal	
113	70029761	1	Key	

SECTION 3 - ATTACHMENTS

FIGURE 3-43. SWEEPER - IDLER



ART_1001202904_4-B

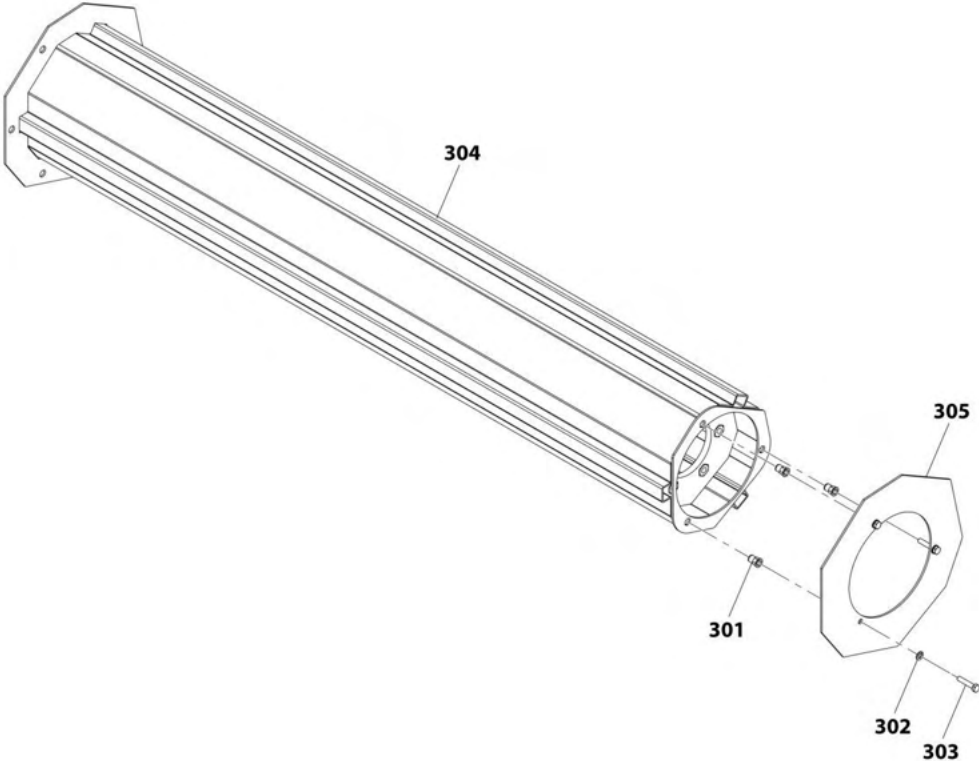
SECTION 3 - ATTACHMENTS

FIGURE 3-43. SWEEPER - IDLER

ITEM	PART NUMBER	QTY	DESCRIPTION	REV
201	70029739	6	Washer	
202	70029741	6	Screw	
203	70029744	1	Ring, Snap	
204	70029746	4	Nut	
205	70029748	1	Ring, Snap	
206	70029749	4	Screw	
207	70029763	2	Bearing	
208	70029770	1	Hub	
209	70029787	1	Plate	
210	70029789	1	Plate	

SECTION 3 - ATTACHMENTS

FIGURE 3-44. SWEEPER - CORE



ART_1001202904_5-B

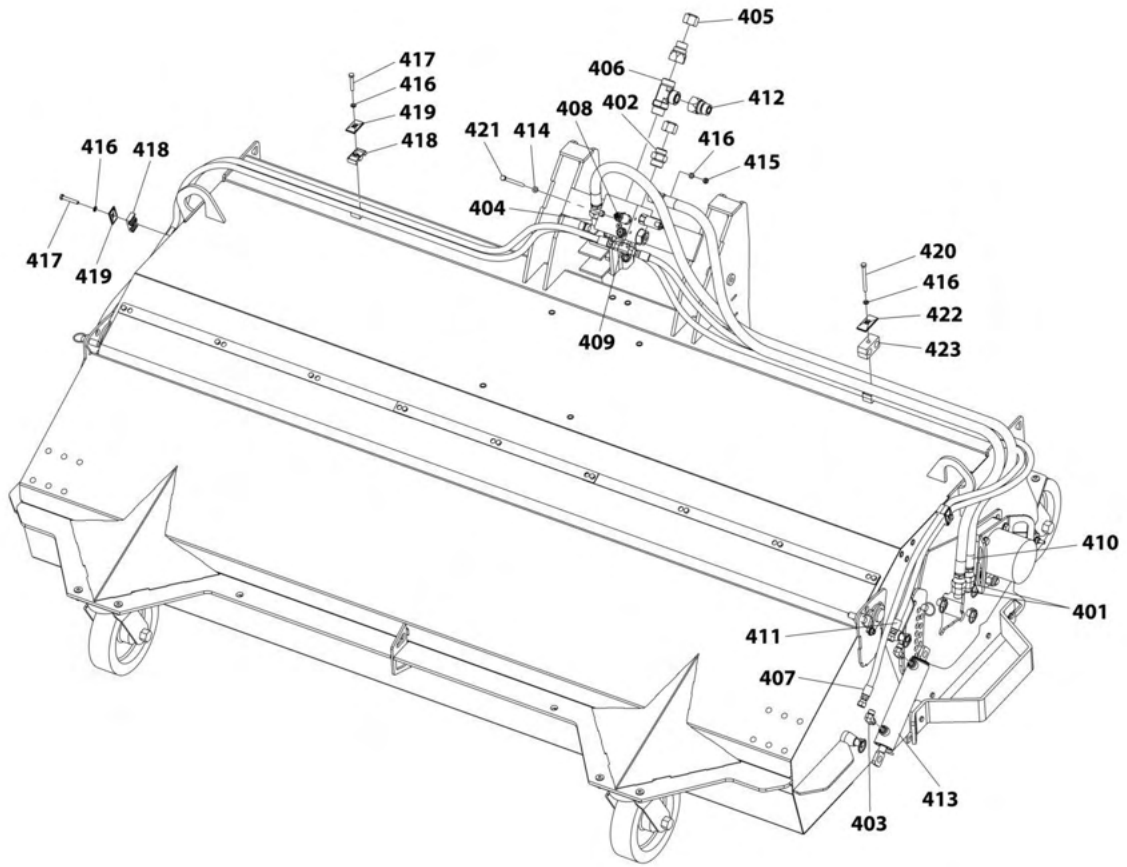
SECTION 3 - ATTACHMENTS

FIGURE 3-44. SWEEPER - CORE

ITEM	PART NUMBER	QTY	DESCRIPTION	REV
301	70029727	3	Nut	
302	70029730	3	Washer	
303	70029731	3	Screw	
304	70029782	1	Weldment, Core	
305	70029783	1	Plate	

SECTION 3 - ATTACHMENTS

FIGURE 3-45. SWEEPER - HYDRAULIC LINES



ART_1001202904_6-B

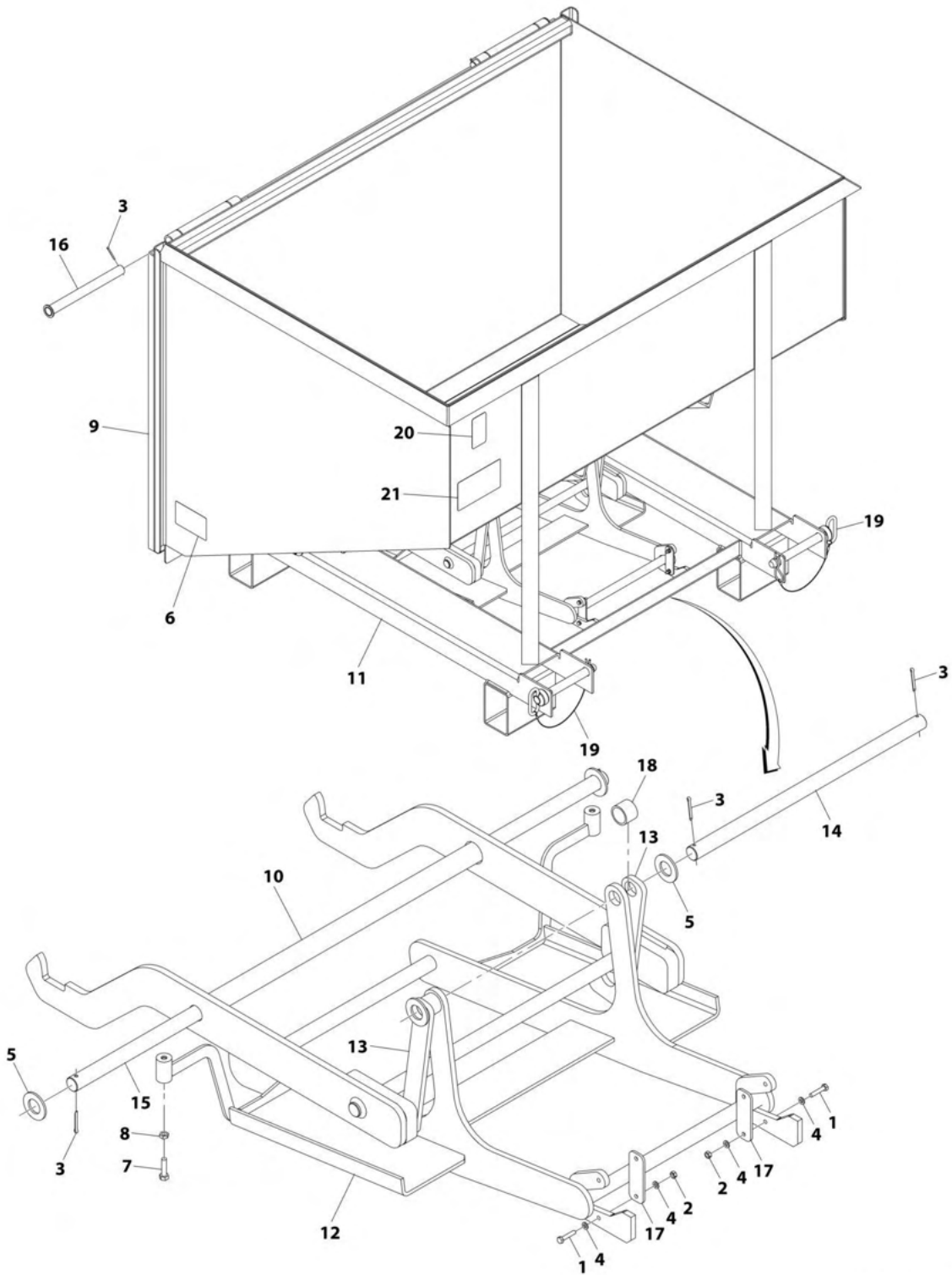
SECTION 3 - ATTACHMENTS

FIGURE 3-45. SWEEPER - HYDRAULIC LINES

ITEM	PART NUMBER	QTY	DESCRIPTION	REV
401	70029704	2	Fitting	
402	70029705	1	Fitting	
403	70029706	4	Fitting, 90	
404	70029707	1	Fitting, 90	
405	70029708	2	Cap	
406	70029709	1	Fitting, Tee	
407	70029710	2	Hose	
408	70029711	1	Manifold	
409	70029712	2	Fitting, Tee	
410	70029713	2	Hose	
411	70029714	2	Hose	
412	70029715	2	Fitting	
413	70029716	2	Cylinder	
413	70029791	1	Kit, Seal	
414	70029732	2	Washer	
415	70029733	2	Nut	
416	70029734	6	Washer	
417	70029737	3	Screw	
418	70029753	8	Hose	
419	70029754	3	Cover	
420	70029758	1	Screw	
421	70029759	2	Screw	
422	70029795	1	Cover	
423	70029796	1	Cradle, Hose	

SECTION 3 - ATTACHMENTS

FIGURE 3-46. TRASH HOPPER (FORK MOUNTED)



ART_1001238566-B

SECTION 3 - ATTACHMENTS

FIGURE 3-46. TRASH HOPPER (FORK MOUNTED)

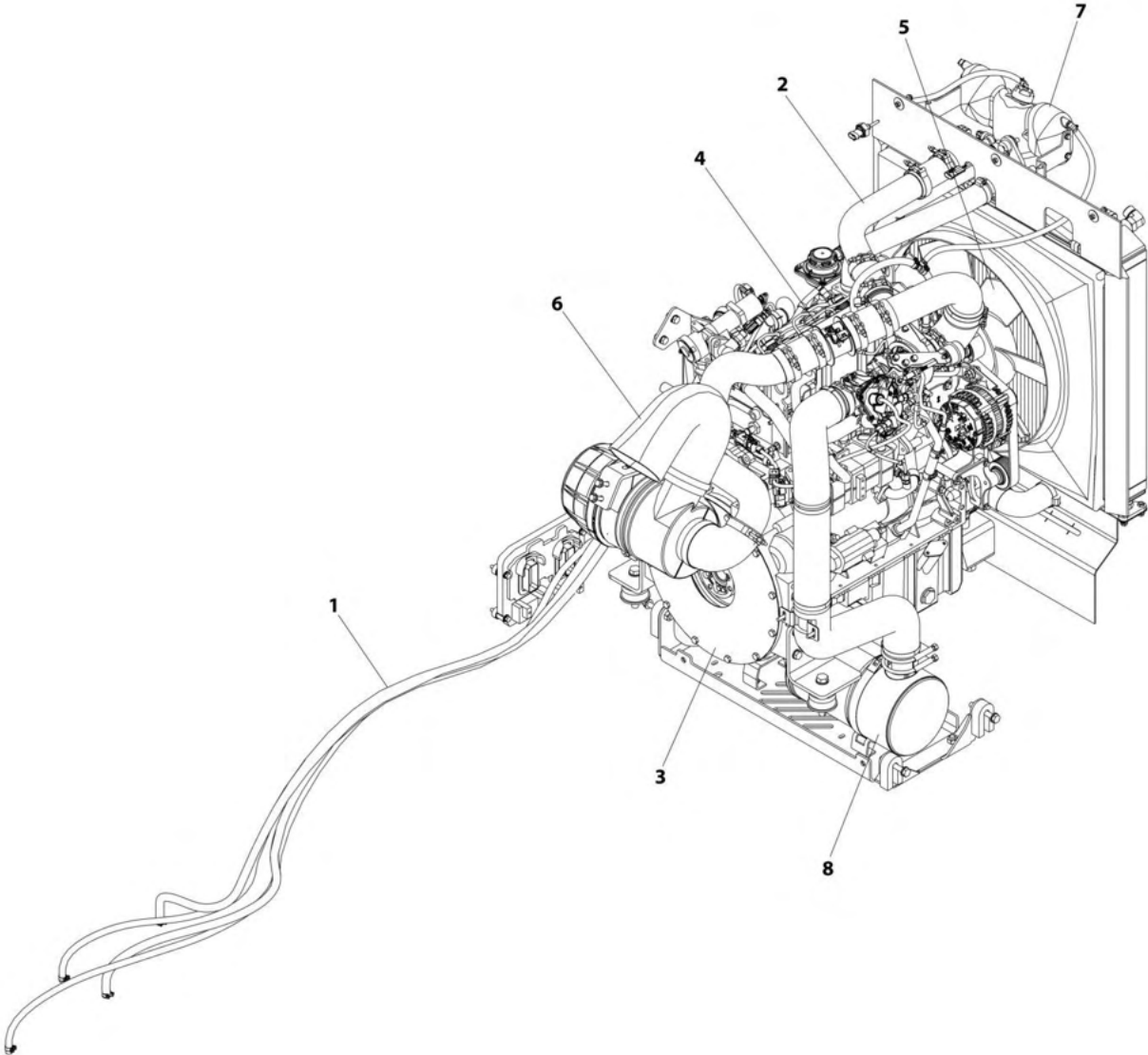
ITEM	PART NUMBER	QTY	DESCRIPTION	REV
	1001238566	Ref	FORK MOUNTED TRASH HOPPER	B
1	0700614	4	Bolt M6 x 30	
2	3290601	4	Nut M6 x 1	
3	3391410	6	Pin	
4	4811700	8	Washer M6	
5	5242400	4	Washer M24	
6	1706302	2	Decal, Pinch Point	
7	0641510	2	Bolt 5/16 x 1-1/4	
8	3311502	2	Nut 5/16	
9	1001192711	1	Door Assembly	
10	1001192720	1	Hook Assembly	
11	See Note	NSS	Hopper, Trash (Note: Purchase Complete Assembly)	
12	1001192875	1	Tray Assembly	
13	1001192876	2	Arm, Swing	
14	1001192877	1	Rod, Swing	
15	1001238570	1	Bar	
16	1001193540	2	Pin	
17	1001193729	2	Plate	
18	1001198355	2	Spacer	
19	1001238560	2	Pin	
20	See Note	NSS	SN Plate (Note: Stamped Part - Not Available for Purchase)	
21	1001203503	1	Decal, Trash Hopper Operation	

SECTION 4 - ENGINE AND ATTACHING PARTS

SECTION 4 - ENGINE AND ATTACHING PARTS

SECTION 4 - ENGINE AND ATTACHING PARTS

FIGURE 4-1. ENGINE PACKAGE INSTALLATION (74HP ULS)



ART_1001243880-A

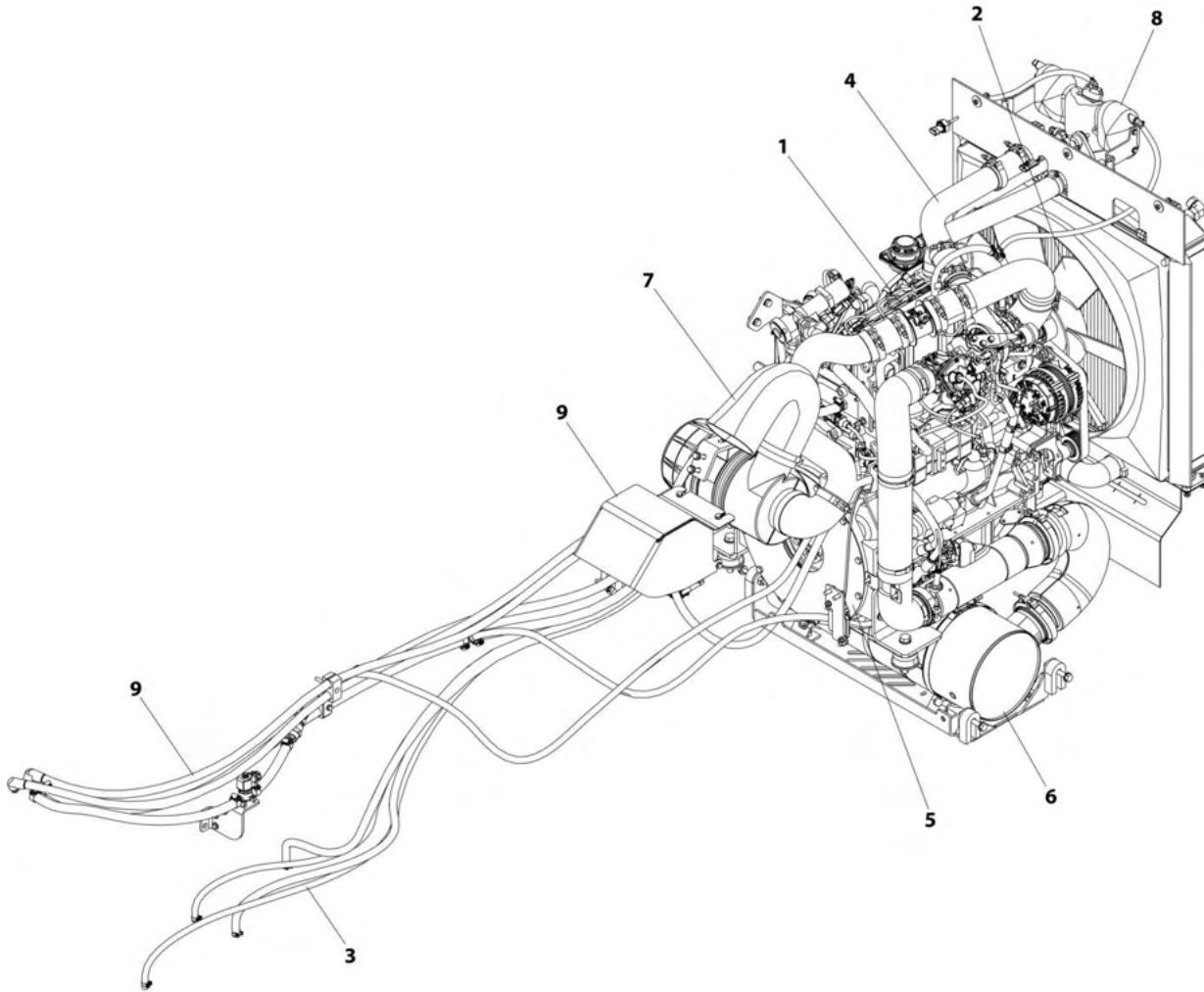
SECTION 4 - ENGINE AND ATTACHING PARTS

FIGURE 4-1. ENGINE PACKAGE INSTALLATION (74HP ULS)

ITEM	PART NUMBER	QTY	DESCRIPTION	REV
1	1001243880	Ref	Engine Package Installation (74HP)	A
	1001165672	Ref	Installation, Fuel Plumbing (ULS) (See Separate Breakdown in this Section)	
2	1001165673	Ref	Installation, Plumbing Cooling (ULS) (See Separate Breakdown in this Section)	
3	1001166229	Ref	Installation, Pump Coupler (See Separate Breakdown in this Section)	
4	1001196124	Ref	Installation, Engine (74HP) (See Separate Breakdown in this Section)	
5	1001196736	Ref	Installation, Fan (74HP) (See Separate Breakdown in this Section)	
6	1001243882	Ref	Installation, Air Cleaner (ULS) (See Separate Breakdown in this Section)	
7	1001243887	Ref	Installation, Cooling (74HP) (See Separate Breakdown in this Section)	
8	1001243888	Ref	Installation, Exhaust (74HP) (See Separate Breakdown in this Section)	

SECTION 4 - ENGINE AND ATTACHING PARTS

FIGURE 4-2. ENGINE PACKAGE INSTALLATION (130HP ULS)



ART_1001243783-A

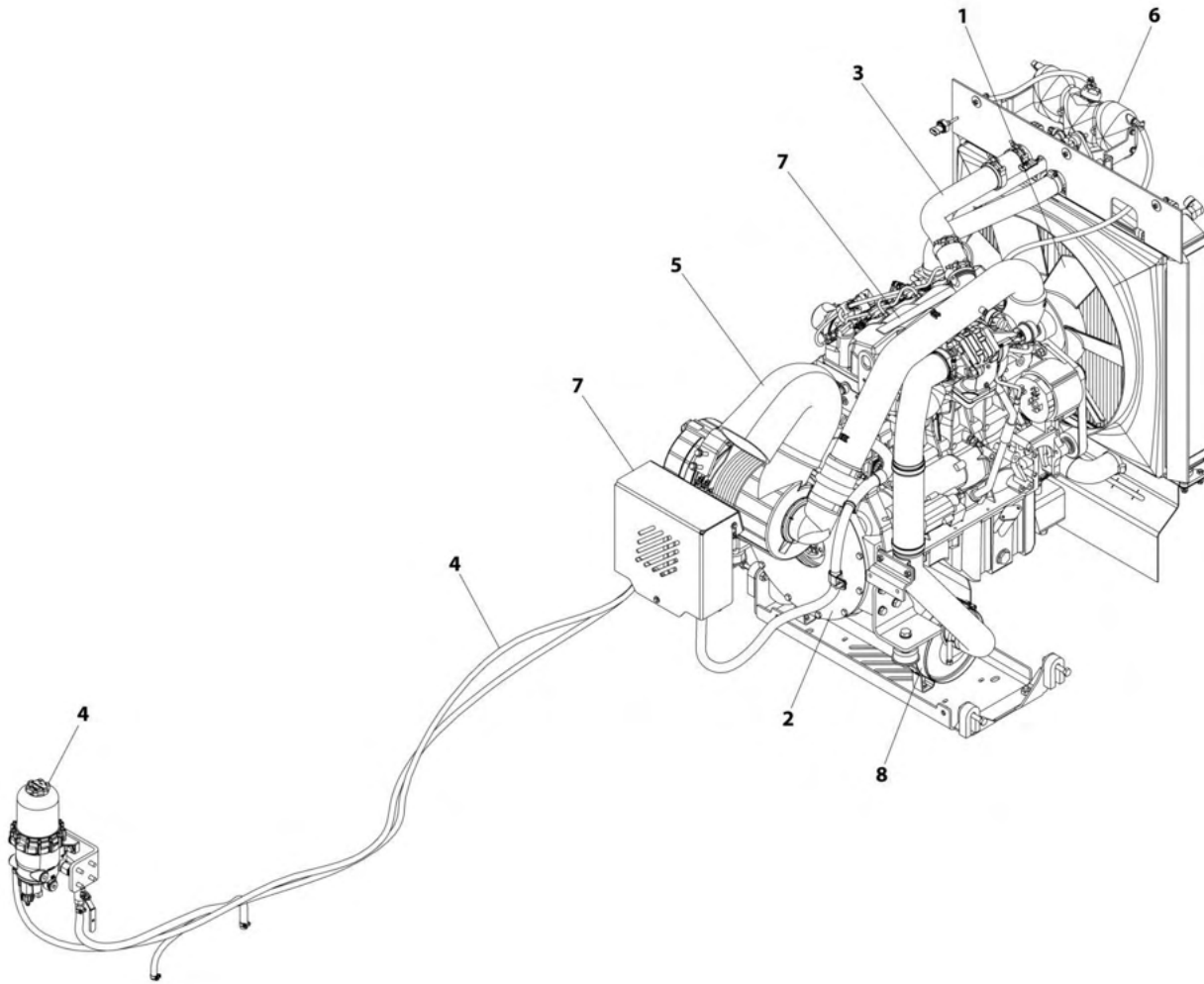
SECTION 4 - ENGINE AND ATTACHING PARTS

FIGURE 4-2. ENGINE PACKAGE INSTALLATION (130HP ULS)

ITEM	PART NUMBER	QTY	DESCRIPTION	REV
1	1001243783	Ref	Engine Package Installation (ULS)	A
	1001160845	Ref	Installation, Engine (ULS) (See Separate Breakdown in this Section)	
2	1001165668	Ref	Installation, Fan (130HP) (See Separate Breakdown in this Section)	
3	1001165672	Ref	Installation, Fuel Plumbing (ULS) (See Separate Breakdown in this Section)	
4	1001165673	Ref	Installation, Plumbing Cooling (ULS) (See Separate Breakdown in this Section)	
5	1001166229	Ref	Installation, Pump Coupler (See Separate Breakdown in this Section)	
6	1001243881	Ref	Installation, After-treatment (ULS) (See Separate Breakdown in this Section)	
7	1001243882	Ref	Installation, Air Cleaner (ULS) (See Separate Breakdown in this Section)	
8	1001243884	Ref	Installation, Cooling (130HP) (See Separate Breakdown in this Section)	
9	1001243885	Ref	Installation, DEF System (ULS) (See Separate Breakdown in this Section)	

SECTION 4 - ENGINE AND ATTACHING PARTS

FIGURE 4-3. ENGINE PACKAGE INSTALLATION (130HP LS)



ART_1001243879-A

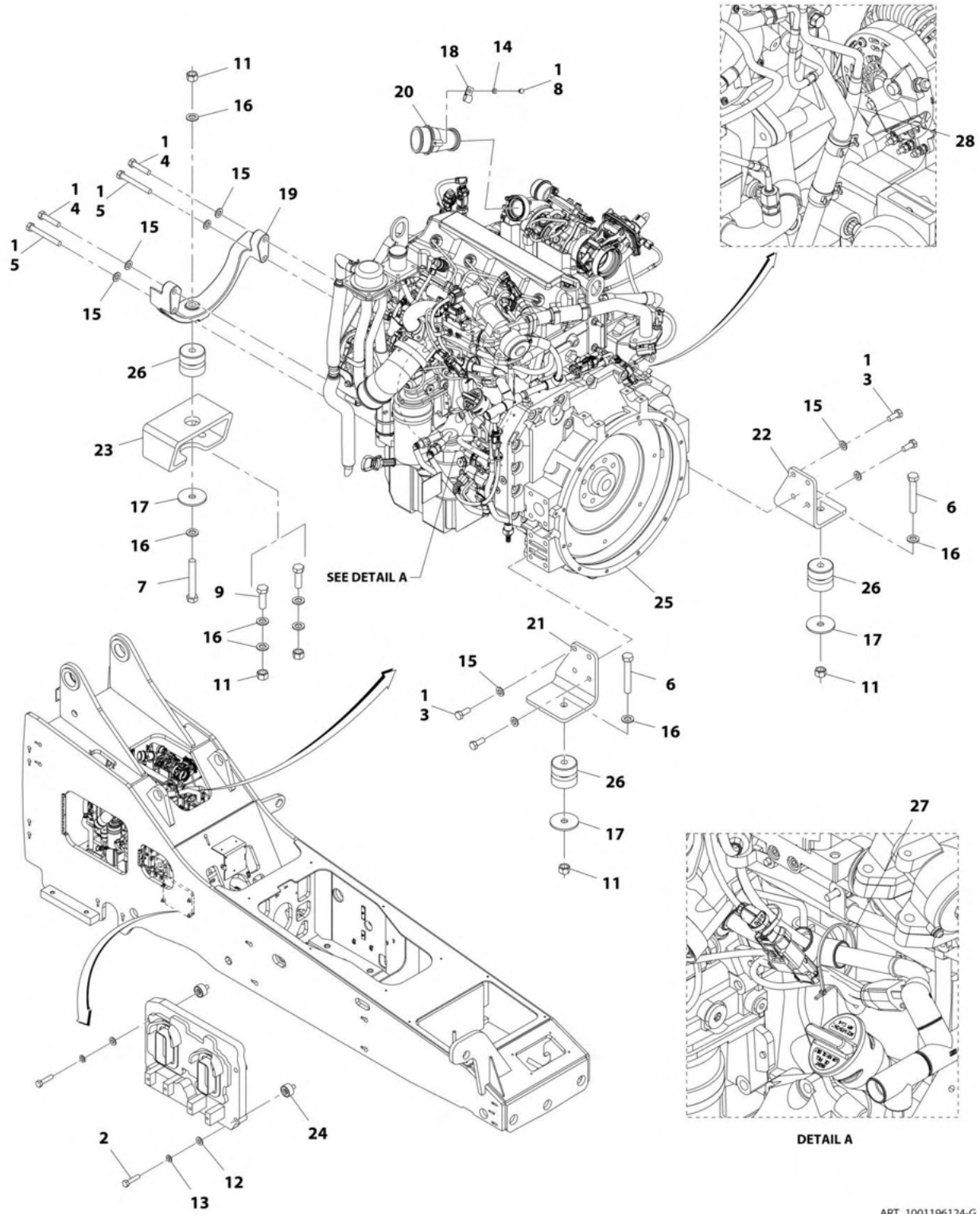
SECTION 4 - ENGINE AND ATTACHING PARTS

FIGURE 4-3. ENGINE PACKAGE INSTALLATION (130HP LS)

ITEM	PART NUMBER	QTY	DESCRIPTION	REV
1	1001243879	Ref	Engine Package Installation (LS)	A
	1001165668	Ref	Installation, Fan (130HP) (See Separate Breakdown in this Section)	
2	1001166229	Ref	Installation, Pump Coupler (See Separate Breakdown in this Section)	
3	1001185652	Ref	Installation, Plumbing Cooling (LS) (See Separate Breakdown in this Section)	
4	1001186490	Ref	Installation, Fuel Plumbing (LS) (See Separate Breakdown in this Section)	
5	1001243883	Ref	Installation, Air Cleaner (LS) (See Separate Breakdown in this Section)	
6	1001243884	Ref	Installation, Cooling (130HP) (See Separate Breakdown in this Section)	
7	1001243886	Ref	Installation, Engine (LS) (See Separate Breakdown in this Section)	
8	1001243889	Ref	Installation, Exhaust (130HP) (See Separate Breakdown in this Section)	

SECTION 4 - ENGINE AND ATTACHING PARTS

FIGURE 4-4. ENGINE INSTALLATION (74HP ULS)



ART_1001196124-G

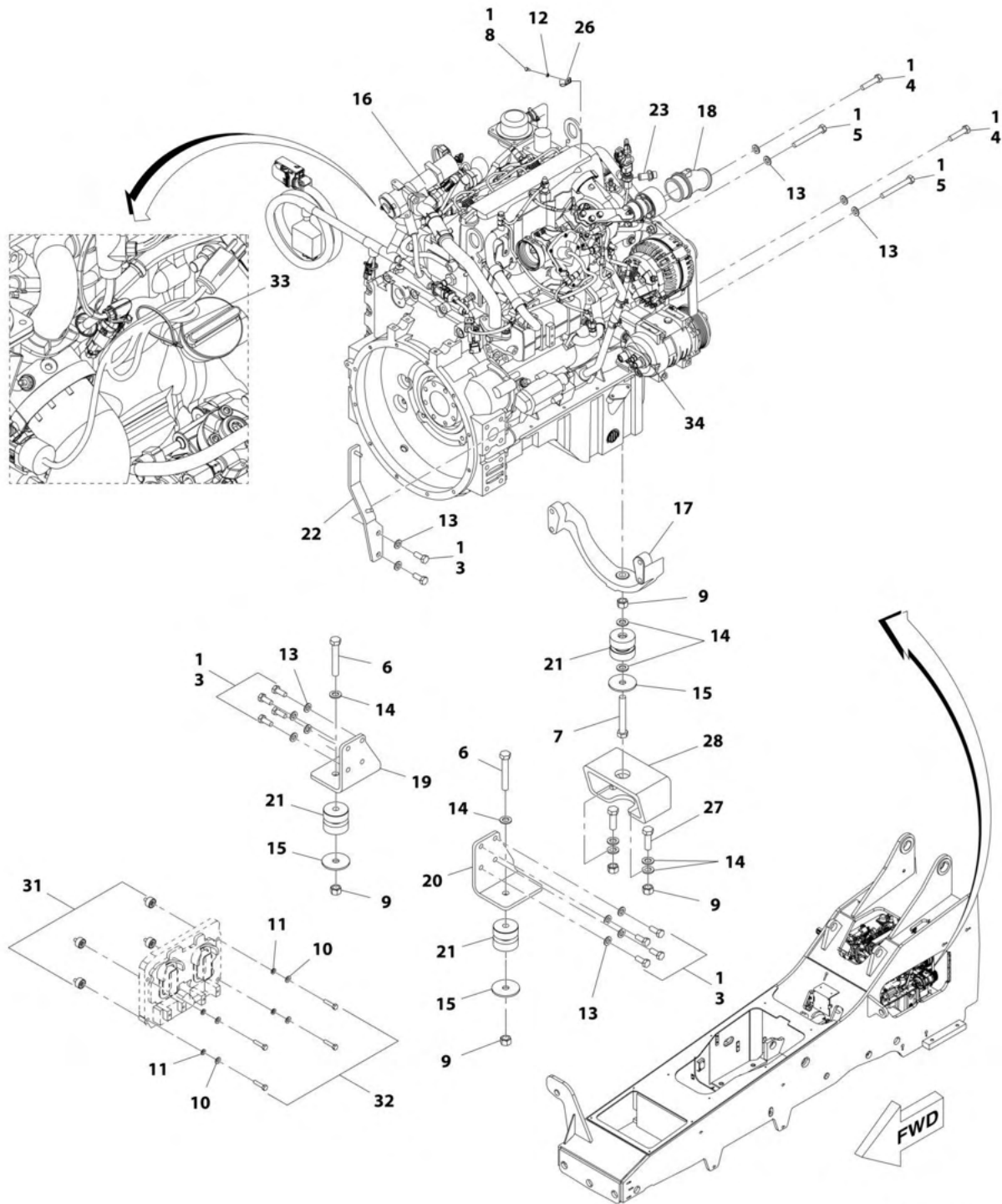
SECTION 4 - ENGINE AND ATTACHING PARTS

FIGURE 4-4. ENGINE INSTALLATION (74HP ULS)

ITEM	PART NUMBER	QTY	DESCRIPTION	REV
	1001196124	Ref	Engine Installation, 74HP (if equipped for ULS)	G
1	0100011	AR	Compound, Locking	
2	0641511	4	Bolt, 5/16-18X1-3/8	
3	0711214	8	Bolt, M12X30	
4	0711219	2	Bolt, M12X55	
5	0711227	2	Bolt, M12X100	
6	0711627	2	Bolt, M16X100	
7	0711628	1	Bolt, M16X110	
8	0760605	1	Bolt, M6X10	
9	0771618	2	Bolt, M16X50	
11	3331615	5	Nut, Lock M16X12	
12	4711500	4	Washer, 5/16	
13	4761500	4	Washer, Lock 5/16	
14	4811700	1	Washer, M6	
15	4812100	12	Washer, M12	
16	4812300	8	Washer, M16	
17	7300435	3	Washer, Rebound	
18	8406112	1	Clip, Tube 5/8	
19	1001160116	1	Bracket, Engine Mount Casting	
20	1001161920	1	Adapter	
21	1001165517	1	Bracket, Engine Mount	
22	1001165518	1	Bracket, Engine Mount	
23	1001180473	1	Bracket, Rear Engine Mount	
24	1001186373	4	Mount, Isolator ECM	
25	1001196665	1	Engine (See Separate Breakdown in this Section)	
26	1001165660	3	Mount, Isolator Engine	
27	4240099	1	Strap, Tie	
28	7125871	1	Conduit 0.5X8	

SECTION 4 - ENGINE AND ATTACHING PARTS

FIGURE 4-5. ENGINE INSTALLATION (130HP ULS)



ART_1001160845-L

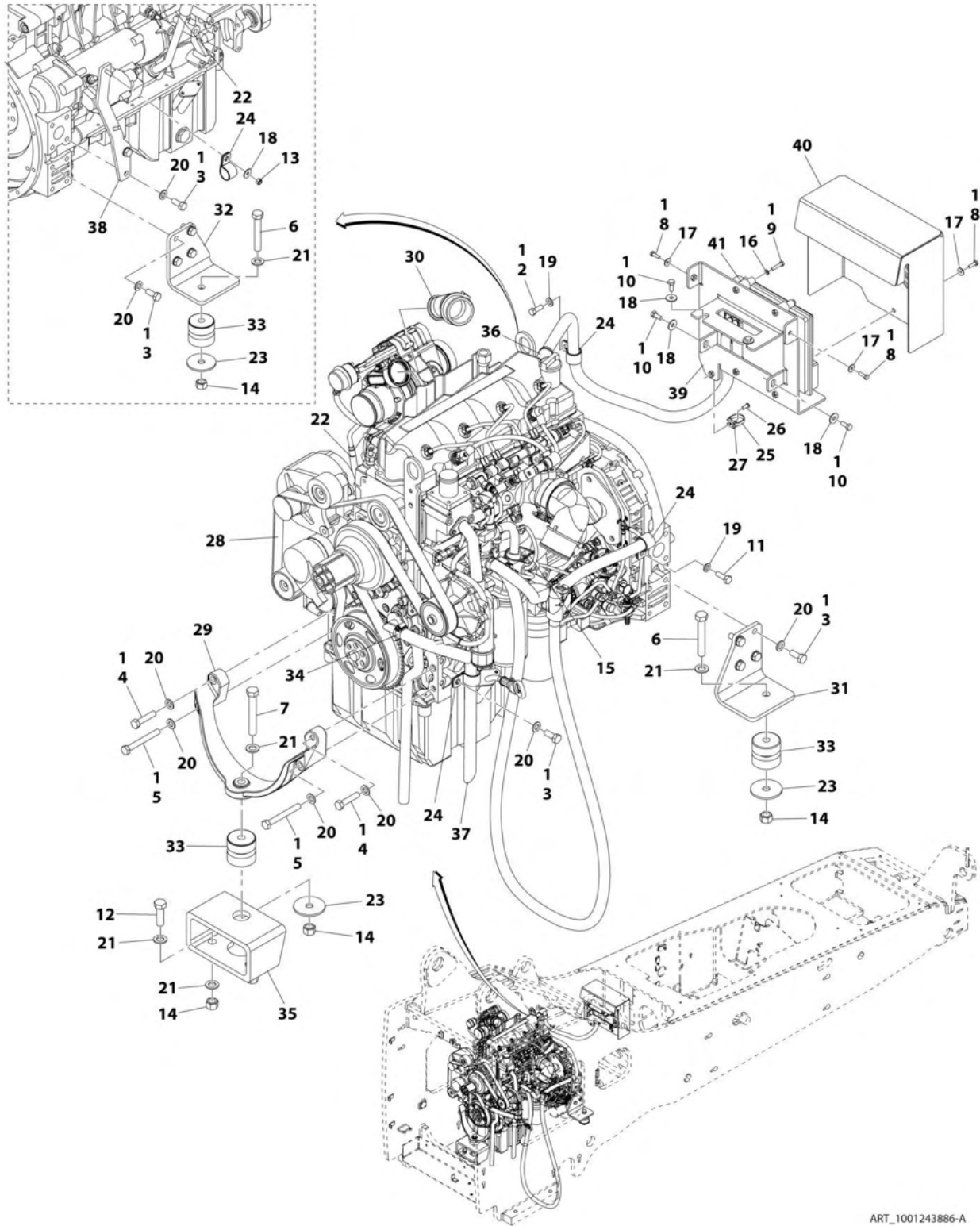
SECTION 4 - ENGINE AND ATTACHING PARTS

FIGURE 4-5. ENGINE INSTALLATION (130HP ULS)

ITEM	PART NUMBER	QTY	DESCRIPTION	REV
	1001160845	Ref	Engine Installation, 110HP (if equipped for ULS)	L
1	0100011	AR	Compound, Locking	
3	0711214	10	Bolt, M12X30	
4	0711219	2	Bolt, M12X55	
5	0711227	2	Bolt, M12X100	
6	0711627	2	Bolt, 16-2X100	
7	0711628	1	Bolt, 16-2X110	
8	0760605	1	Bolt, M6X10	
9	3331615	5	Nut, Lock M16X2	
10	4711500	4	Washer, Plain 5/16	
11	4761500	4	Washer, Lock 5/16	
12	4811700	1	Washer, M6	
13	4812100	14	Washer, M12	
14	4812300	8	Washer, M16	
15	7300435	3	Washer, Rebound	
16	1001154511	1	Engine (ULS) (See Separate Breakdown in this Section)	
17	1001160116	1	Bracket, Engine Mount Casting	
18	1001161920	1	Adapter	
19	1001165517	1	Bracket, Engine Mount	
20	1001165518	1	Bracket, Engine Mount	
21	1001165660	3	Mount, Isolator Engine	
22	1001197233	1	Bracket, Hose Support	
23	1001168822	1	Fitting, Hose Barb	
26	8406112	1	Clip, Tube 5/8	
27	0771618	2	Bolt, M16X50	
28	1001180473	1	Bracket, Rear Engine Mount	
31	1001186373	4	Mount, Isolator ECM	
32	0641511	4	Bolt, 5/16-18X1-3/8	
33	4240099	1	Strap, Tie	
34	7125871	1	Conduit, 1/2X8	

SECTION 4 - ENGINE AND ATTACHING PARTS

FIGURE 4-6. ENGINE INSTALLATION (130HP LS)



ART_1001243886-A

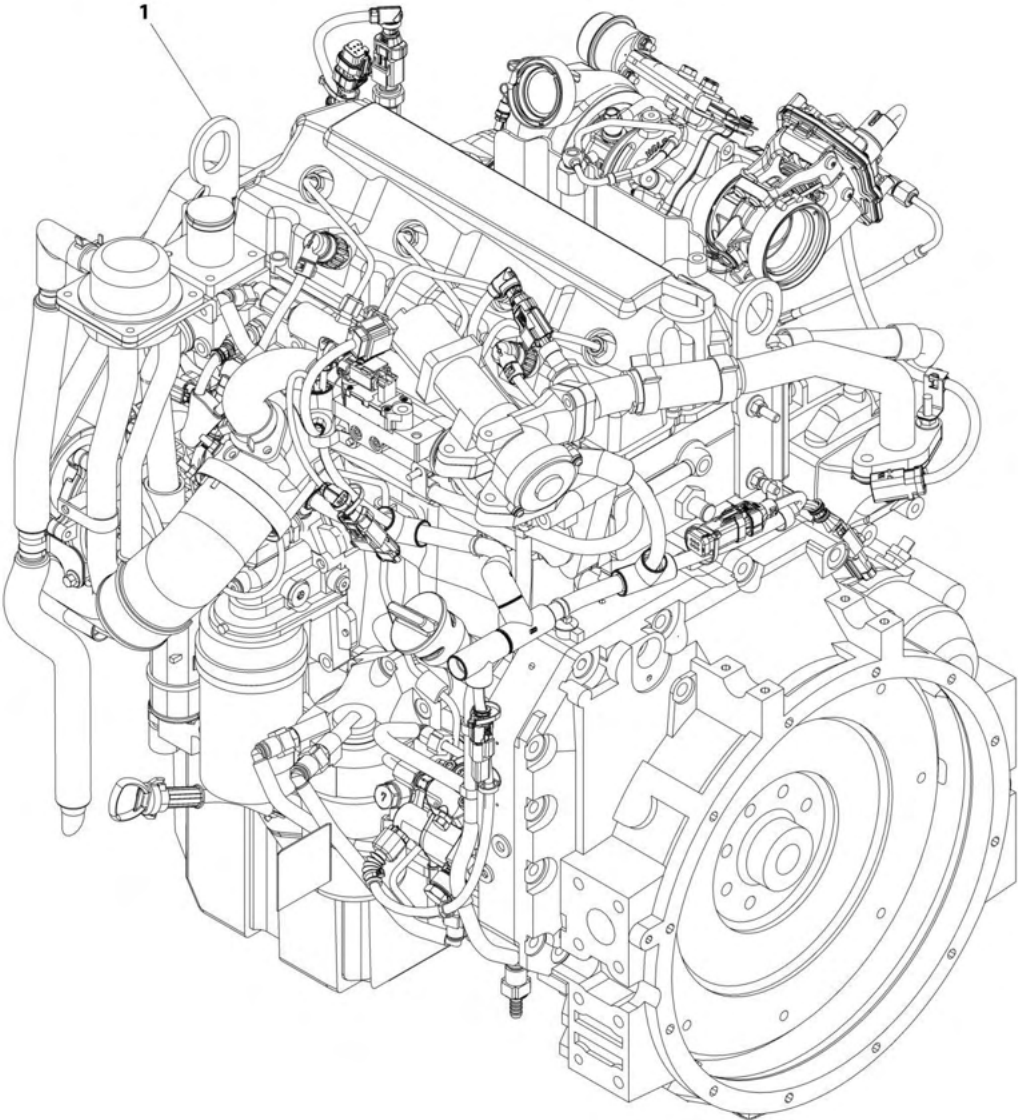
SECTION 4 - ENGINE AND ATTACHING PARTS

FIGURE 4-6. ENGINE INSTALLATION (130HP LS)

ITEM	PART NUMBER	QTY	DESCRIPTION	REV
	1001243886	Ref	Engine Installation (LS)	A
1	0100011	AR	Compound, Locking	
2	0641608	1	Bolt, M8X1	
3	0711214	11	Bolt, M12X30	
4	0711219	2	Bolt, M12X55	
5	0711227	2	Bolt, M12X100	
6	0711627	2	Bolt, M16X100	
7	0711628	1	Bolt, M16X110	
8	0760610	3	Bolt, M6X20	
9	0760614	4	Bolt, M6X30	
10	0760810	4	Bolt, M8X20	
11	0761014	1	Bolt, M10X30	
12	0771618	2	Bolt, M16X50	
13	3290805	1	Nut, Lock M8	
14	3331615	5	Nut	
15	4240099	3	Strap, Cable	
16	4811700	4	Washer, M6	
17	4811702	3	Washer, M6	
18	4811902	5	Washer, M8	
19	4812000	2	Washer, M10	
20	4812100	15	Washer, M12	
21	4812300	7	Washer, M16	
22	7125871	1	Conduit	
23	7300435	3	Washer, Rebound	
24	8406303	4	Clip, Tube 1-3/16	
25	8881800	1	Strap, Cable	
26	88261015	1	Bolt, 1/4X5/8	
27	1001138645	1	Mount, Cable Tie	
28	1001154790	1	Engine (See Separate Breakdown in this Section)	
29	1001160116	1	Bracket, Engine Mount Casting	
30	1001161920	1	Adapter	
31	1001165517	1	Bracket, Engine Mount	
32	1001165518	1	Bracket, Engine Mount	
33	1001165660	3	Mount, Isolator Engine	
34	1001173535	1	Clamp	
35	1001180473	1	Bracket, Rear Engine Mount	
36	1001186718	1	Insulate, Heat Shield Tube	
37	1001192134	1	Hose	
38	1001197233	1	Bracket	
39	1001211688	1	Bracket, ECM Mount	
40	1001211690	1	Bracket, ECM Cover	
41	1001211697	4	Mount, Isolator ECM	

SECTION 4 - ENGINE AND ATTACHING PARTS

FIGURE 4-7. ENGINE COMPONENTS (74HP ULS)



ART_100119665

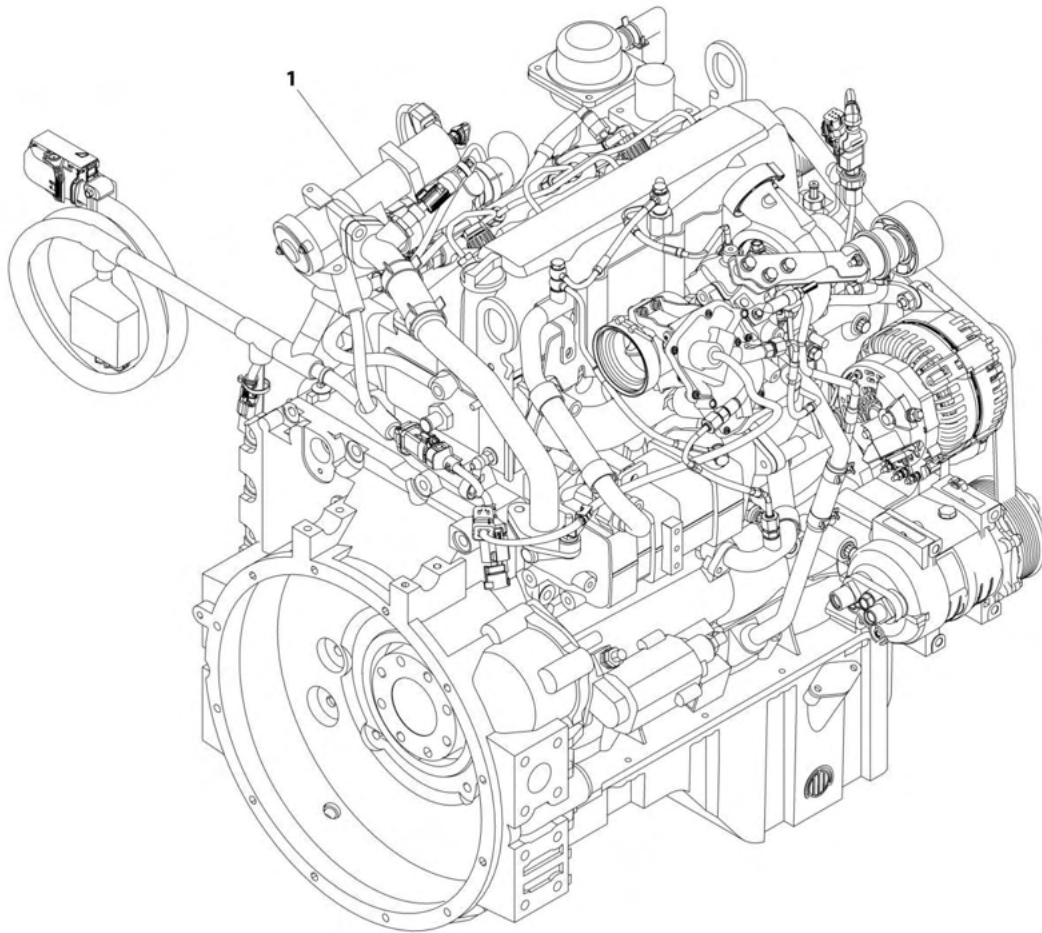
SECTION 4 - ENGINE AND ATTACHING PARTS

FIGURE 4-7. ENGINE COMPONENTS (74HP ULS)

ITEM	PART NUMBER	QTY	DESCRIPTION	REV
1	1001196665	Ref	Engine, 74HP (if equipped for ULS)	N
	70026220	1	Assembly, Secondary Fuel Filter (includes filter head, seal and element)	
	70026453	1	Element, Fuel Filter	
	70026221	1	Head, Fuel Filter	
	70026222	1	Assembly, Flywheel Housing	
	70027281	1	Pan, Oil	
	70026224	1	Seal, Oil Pan	
	70026225	1	Plug, Oil Pan	
	70026226	1	Seal, Oil Pan Plug	
	1001128594	1	Starter	
	70026228	1	Filler Cap, Valve Cover	
	70026229	1	Fan Belt, V-Ribbed	
	70026230	1	Support, Fan	
	70026231	1	Pulley, Fan	
	70026232	1	Alternator	
	70028450	1	Assembly, Primary Fuel Filter	
	70026234	1	Element, Fuel Filter	
	70026235	1	Assembly, Dipstick Oil Level	
	70026241	1	Assembly, Fuel Filter Plug	
	70026237	1	Filter, Oil	
	70023933	1	O-Ring, Oil Pressure Switch	
	70041620	2	Ring, Retaining	
	70041616	1	Bolt	
	70041617	1	Bearing, Ball	
	70041619	1	Retainer, Fan Hub	
	1322039	1	Spacer, Fan Pilot	
	1321094	19	Screw	
	70024016	1	Cap, Side Oil Fill	
	70022634	1	Flywheel w/Ring Gear	
	70023736	1	Ring Gear, Flywheel	
	1322040	1	Plug, Flywheel	

SECTION 4 - ENGINE AND ATTACHING PARTS

FIGURE 4-8. ENGINE COMPONENTS (130HP ULS)



ART_1001154511

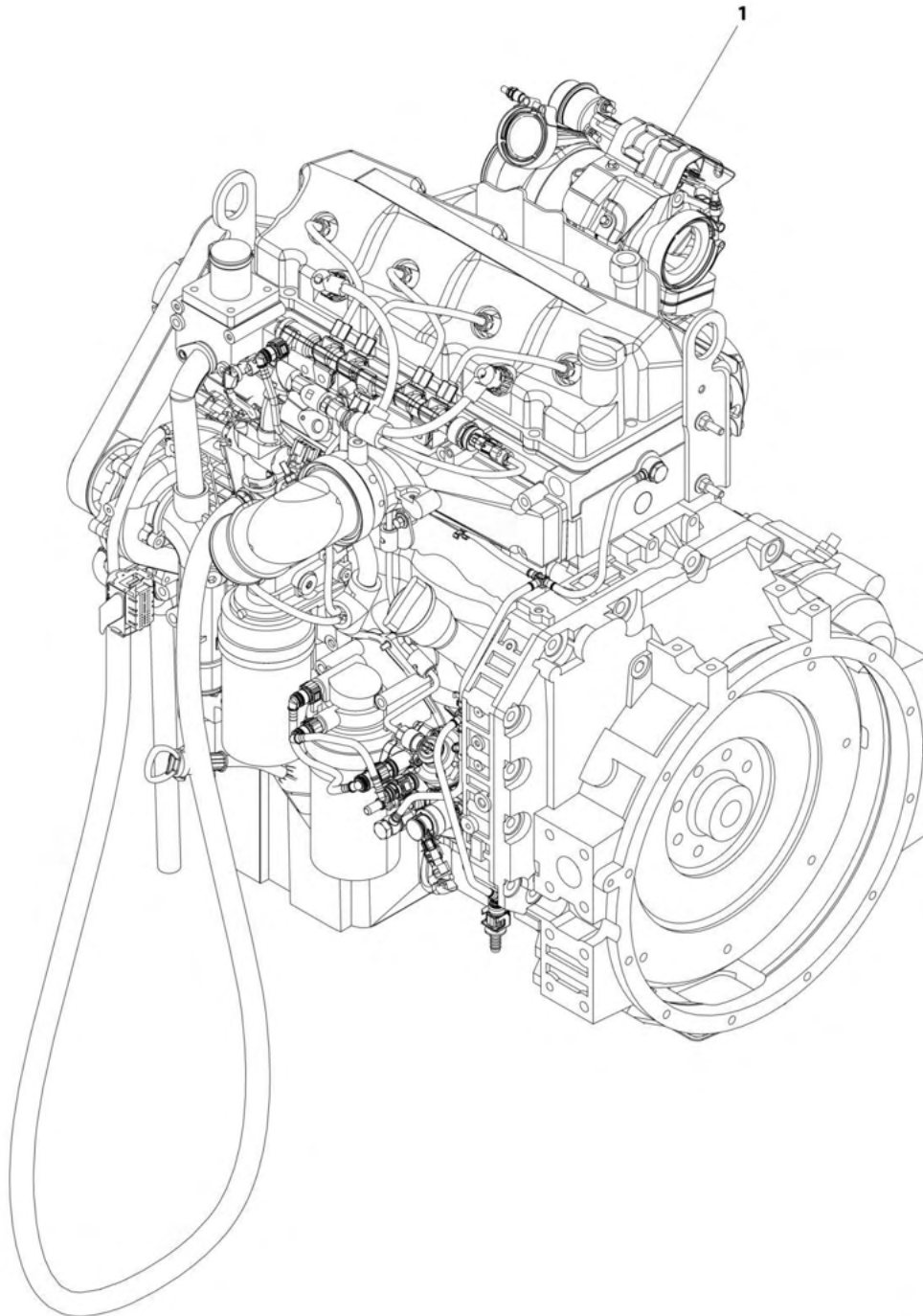
SECTION 4 - ENGINE AND ATTACHING PARTS

FIGURE 4-8. ENGINE COMPONENTS (130HP ULS)

ITEM	PART NUMBER	QTY	DESCRIPTION	REV
1	1001154511	Ref	Engine, QSF 3.8L (if equipped for ULS)	U
	70026220	1	Assembly, Secondary Fuel Filter (includes shell, seal and cartridge)	
	70026453	1	Cartridge, Fuel Filter	
	70026223	1	Pan, Oil	
	70026224	1	Seal, Oil Pan	
	70026225	1	Plug, Oil Pan	
	70026226	1	Seal, Oil Pan Plug	
	1001128594	1	Starter	
	70026228	1	Filler Cap, Valve Cover	
	70026229	1	Fan Belt, V-Ribbed	
	70026230	1	Support, Fan	
	70026231	1	Pulley, Fan	
	70026232	1	Alternator	
	70028450	1	Assembly, Primary Fuel Filter, (includes filter head, seal and element)	
	70026235	1	Assembly, Dipstick Oil Level	
	70026236	1	Assembly, Block Heater	
	70026241	1	Assembly, Fuel Filter Plug	
	70026237	1	Filter, Oil	
	70023933	1	O-Ring, Oil Pressure Switch	
	70041620	2	Ring, Retaining	
	70041616	1	Bolt	
	70041617	1	Bearing, Ball	
	70041619	1	Retainer, Fan Hub	
	1322039	1	Spacer, Fan Pilot	
	1321094	16	Bolt, Fan Drive	
	70024016	1	Cap, Side Oil Fill	
	70022634	1	Flywheel w/Ring Gear	
	70023736	1	Ring Gear, Flywheel	
	1322040	1	Plug, Flywheel	

SECTION 4 - ENGINE AND ATTACHING PARTS

FIGURE 4-9. ENGINE COMPONENTS (130HP LS)



ART_1001154790

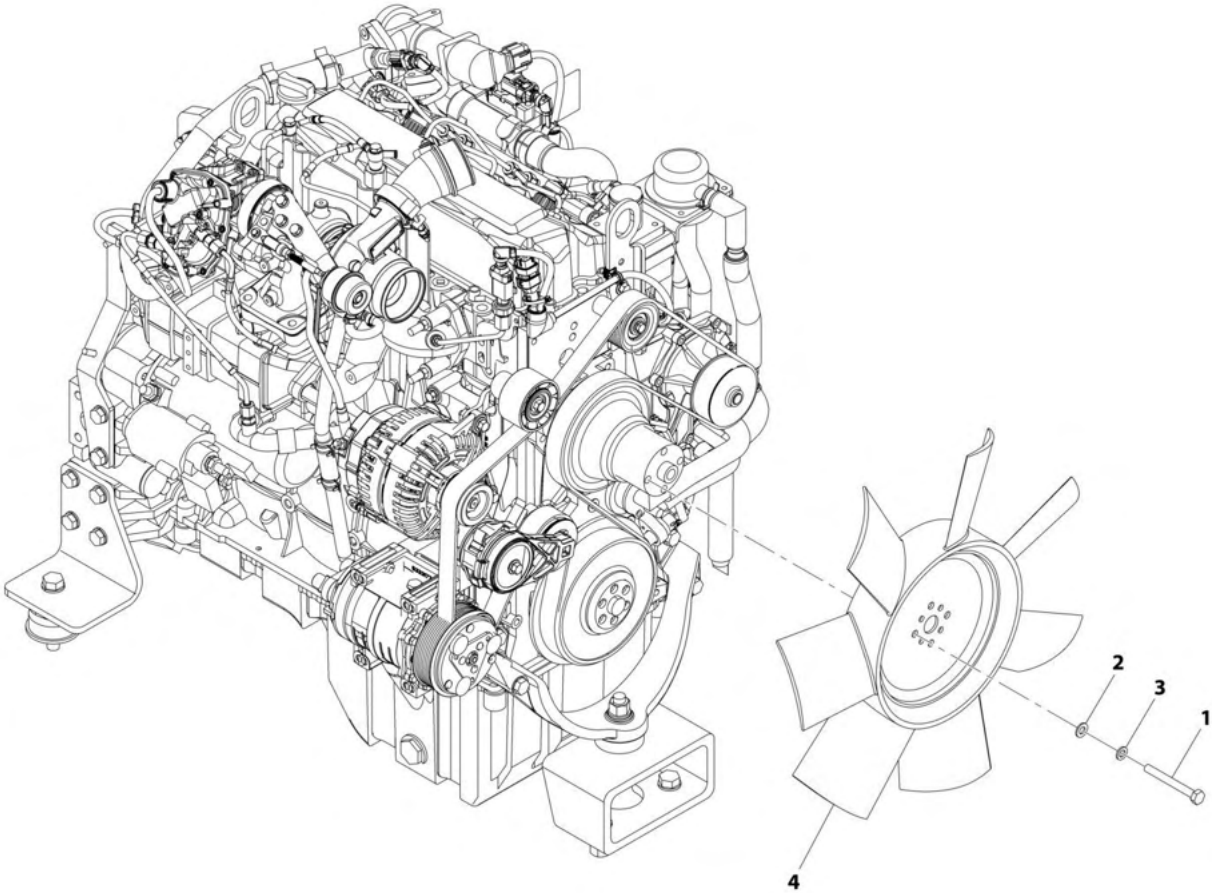
SECTION 4 - ENGINE AND ATTACHING PARTS

FIGURE 4-9. ENGINE COMPONENTS (130HP LS)

ITEM	PART NUMBER	QTY	DESCRIPTION	REV
1	1001154790	Ref	3.8L Engine (LS)	L
	70026800	1	Fuel Filter Assembly	
	70026801	1	Fuel Filter Element	
	70026222	1	Assembly, Flywheel Housing	
	70027281	1	Pan, Oil	
	70026224	1	Seal, Oil Pan	
	70026225	1	Plug, Oil Pan	
	70026226	1	Seal, Oil Pan Plug	
	1001128594	1	Starter	
	70026228	1	Filler Cap, Valve Cover	
	70026229	1	Fan Belt, V-Ribbed	
	70026230	1	Support, Fan	
	70026231	1	Pulley, Fan	
	70026232	1	Alternator	
	70026233	1	Assembly, Primary Fuel Filter	
	70026234	1	Element, Fuel Filter	
	70026235	1	Assembly, Dipstick Oil Level	
	70026241	1	Assembly, Fuel Filter Plug	
	70026237	1	Filter, Oil	
	70041620	2	Ring, Retaining	
	70041616	1	Bolt	
	70041617	1	Bearing, Ball	
	70041619	1	Retainer, Fan Hub	
	1322039	1	Spacer, Fan Pilot	
	1321094	17	Screw	
	70024016	1	Cap, Side Oil Fill	
	70022634	1	Flywheel w/Ring Gear	
	70023736	1	Ring Gear, Flywheel	
	1322040	1	Plug, Flywheel	

SECTION 4 - ENGINE AND ATTACHING PARTS

FIGURE 4-10. FAN INSTALLATION (74HP)



ART_1001196736-C

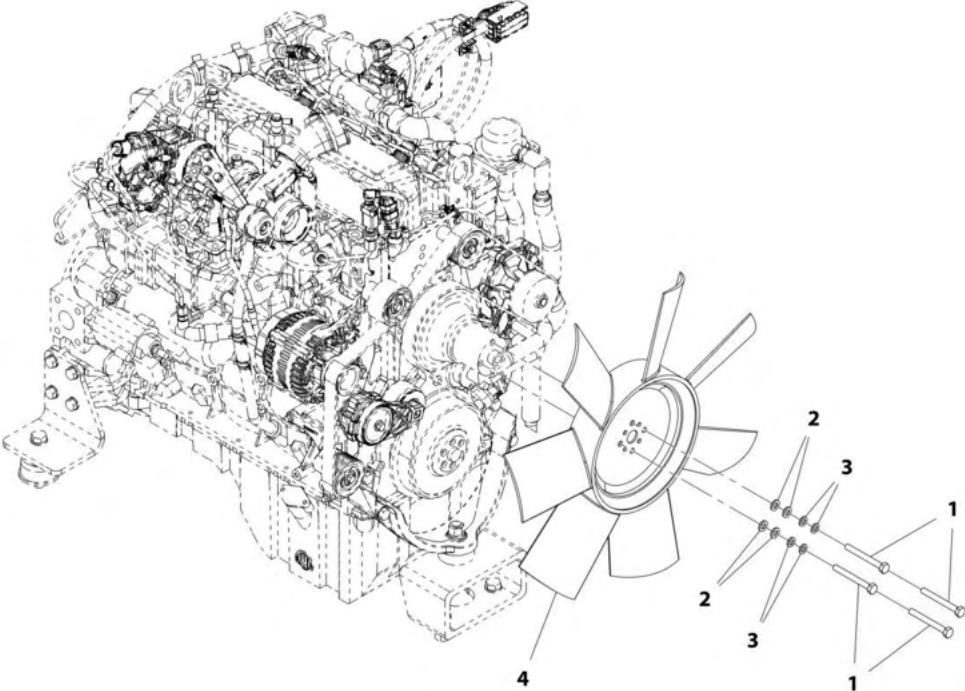
SECTION 4 - ENGINE AND ATTACHING PARTS

FIGURE 4-10. FAN INSTALLATIOJN (74HP)

ITEM	PART NUMBER	QTY	DESCRIPTION	REV
	1001196736	Ref	Fan Installation, 74HP	C
1	0701026	4	Bolt, M10X90	
2	4812000	4	Washer, M10	
3	4832000	4	Washer, Lock M10	
4	1001210351	1	Fan	

SECTION 4 - ENGINE AND ATTACHING PARTS

FIGURE 4-11. FAN INSTALLATION (130HP)



ART_1001165668-B

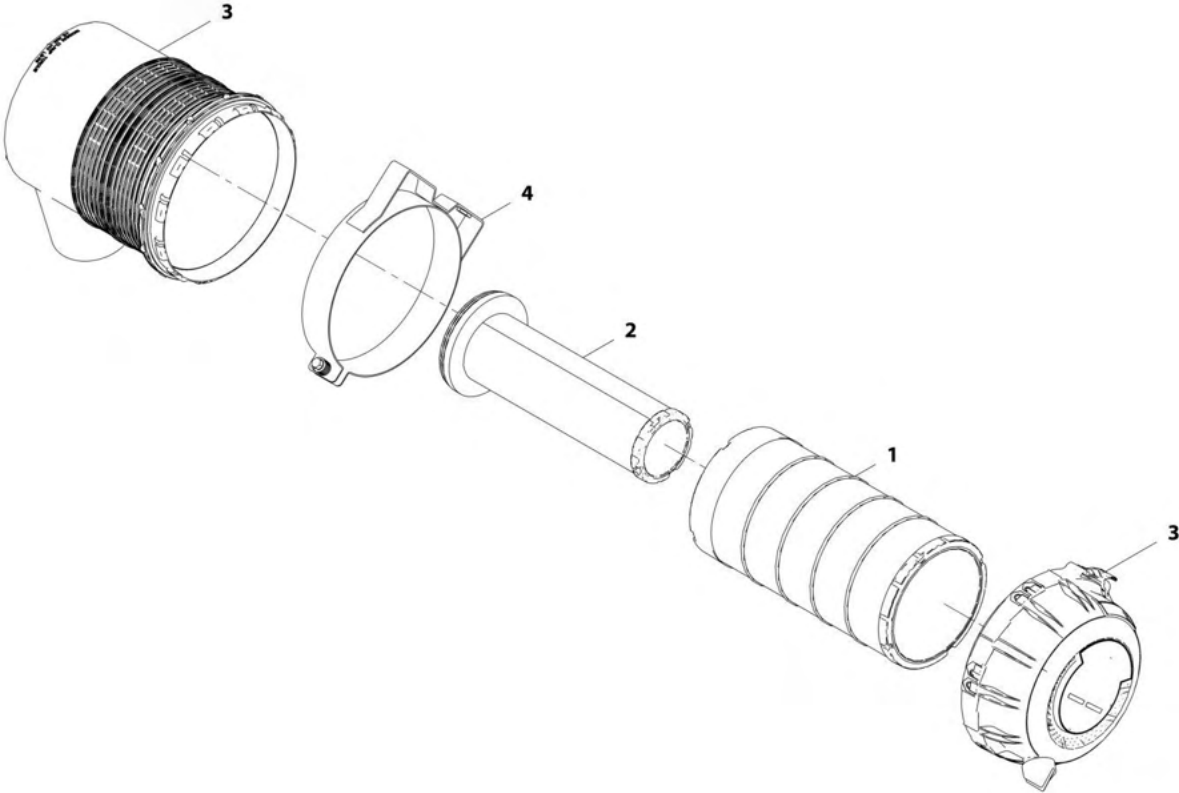
SECTION 4 - ENGINE AND ATTACHING PARTS

FIGURE 4-11. FAN INSTALLATION (130HP)

ITEM	PART NUMBER	QTY	DESCRIPTION	REV
	1001165668	Ref	Fan Installation, 85HP	B
1	0701026	4	Bolt, M10X90	
2	4812000	4	Washer, M10	
3	4832000	4	Washer, Lock M10	
4	1001174822	1	Fan	

SECTION 4 - ENGINE AND ATTACHING PARTS

FIGURE 4-12. AIR CLEANER ASSEMBLY (74HP ULS)



ART_1001166566-G

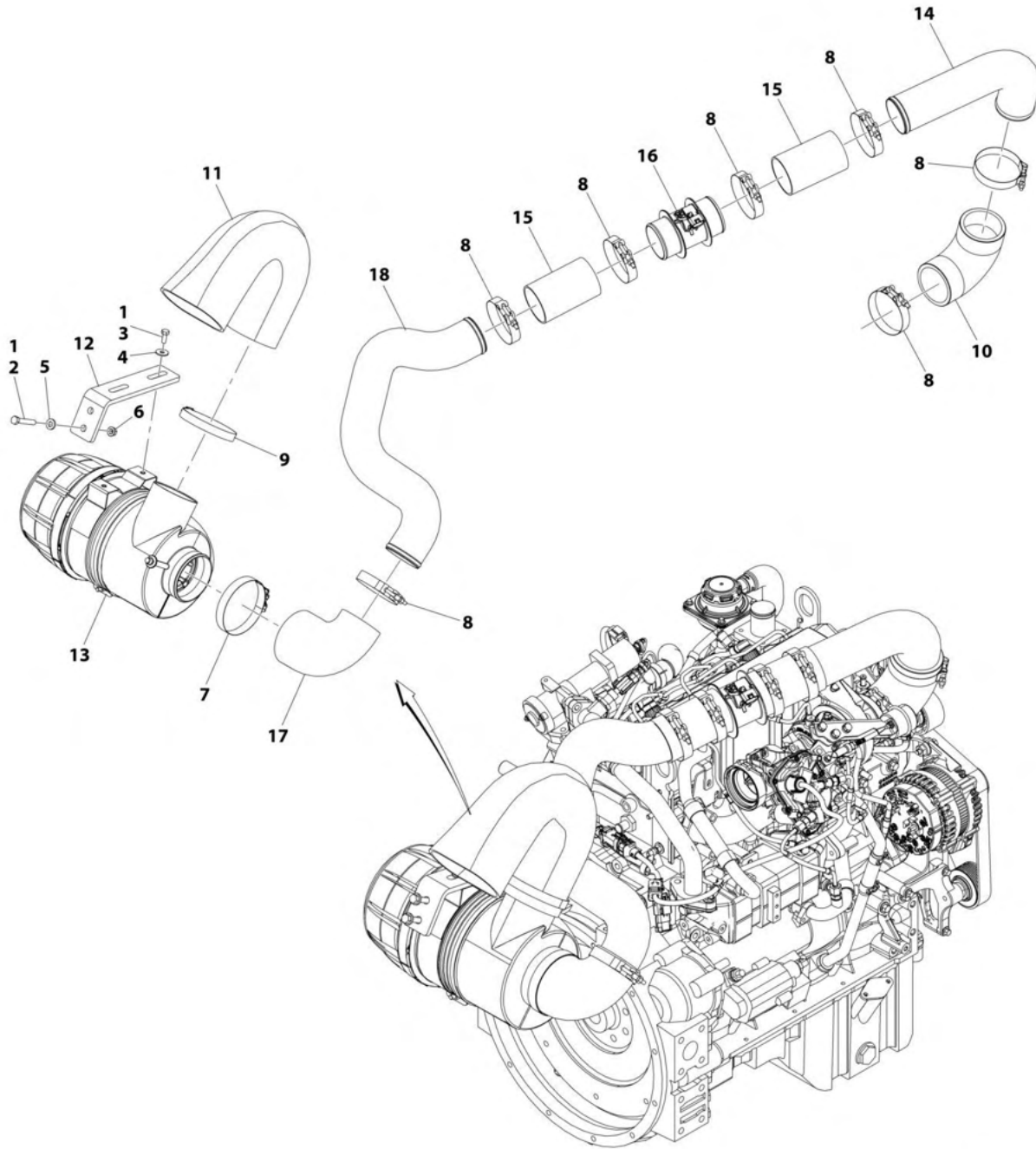
SECTION 4 - ENGINE AND ATTACHING PARTS

FIGURE 4-12. AIR CLEANER ASSEMBLY (74HP ULS)

ITEM	PART NUMBER	QTY	DESCRIPTION	REV
	1001166566	Ref	Air Cleaner Assembly (74.4KW)	G
1	70025852	1	Filter, Air Cylindrical Primary	
2	70025853	1	Filter, Air Cylindrical Secondary	
3	70026393	1	Cover, Air Cleaner	
4	70026394	1	Bracket, Mounting Band	

SECTION 4 - ENGINE AND ATTACHING PARTS

FIGURE 4-13. AIR CLEANER ASSEMBLY (130HP ULS)



ART_1001243882-C

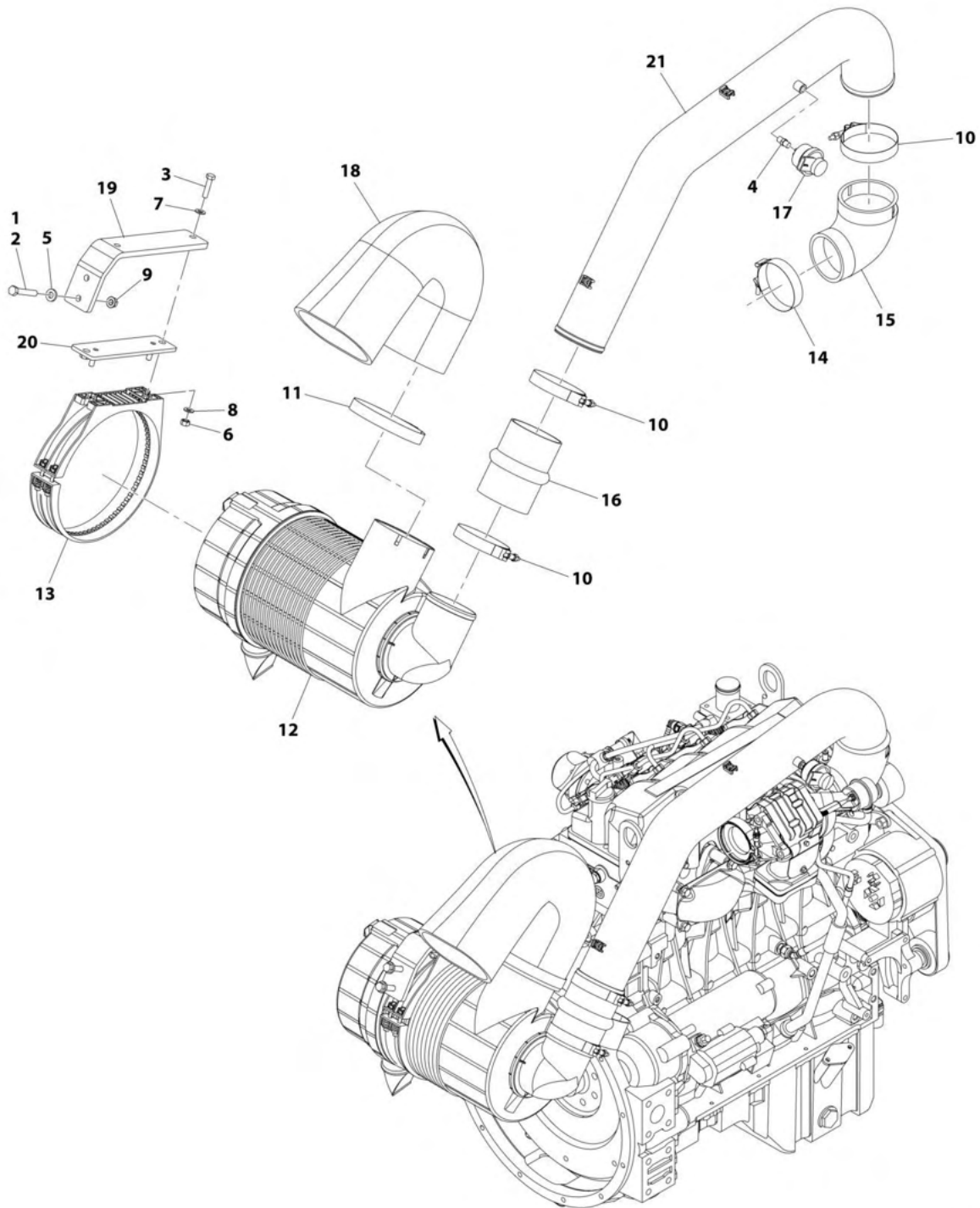
SECTION 4 - ENGINE AND ATTACHING PARTS

FIGURE 4-13. AIR CLEANER ASSEMBLY (130HP ULS)

ITEM	PART NUMBER	QTY	DESCRIPTION	REV
	1001243882	Ref	Air Cleaner Installation (ULS)	C
1	0100011	AR	Compound, Locking	
2	0641618	2	Bolt, 3/8X2-1/4	
3	0760810	2	Bolt, M8X20	
4	4811902	2	Washer, M8	
5	4891600	2	Washer, 3/8	
6	8310522	2	Nut, Flange 3/8-16	
7	8405404	1	Clamp, T-Bolt	
8	8410007	7	Clamp, T-Bolt	
9	10719267	1	Clamp, Hose	
10	1001120083	1	Hose, Air Intake	
11	1001165818	1	Hose, Air Intake	
12	1001166238	1	Bracket, Air Filter	
13	1001166566	1	Assembly, Air Cleaner (See Breakdown Breakdown in this Section)	
14	1001168052	1	Pipe, Air Intake	
15	1001168053	2	Hose, Sleeve	
16	1001169077	1	Sensor, PRS Temperature	
17	1001201831	1	Hose, Air Intake	
18	1001242986	1	Pipe, Air Intake	

SECTION 4 - ENGINE AND ATTACHING PARTS

FIGURE 4-14. AIR CLEANER ASSEMBLY (130HP LS)



ART_1001243883-A

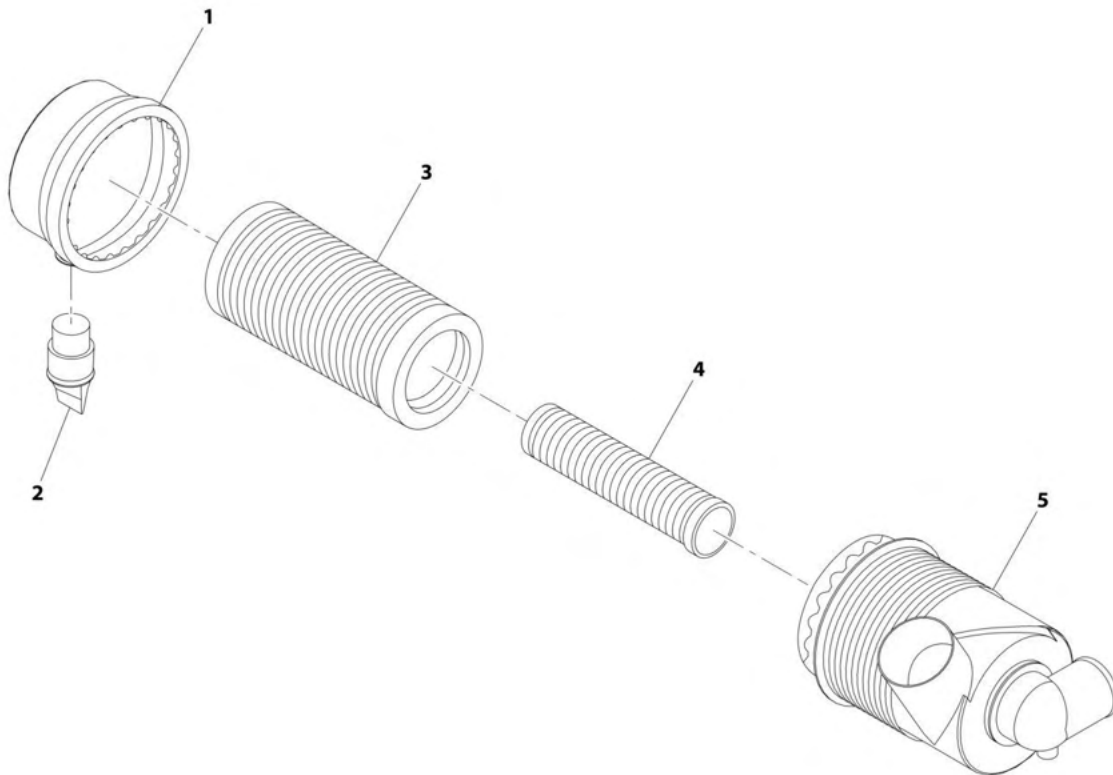
SECTION 4 - ENGINE AND ATTACHING PARTS

FIGURE 4-14. AIR CLEANER ASSEMBLY (130HP LS)

ITEM	PART NUMBER	QTY	DESCRIPTION	REV
	1001243883	Ref	Air Cleaner Installation (LS)	A
1	0100011	AR	Compound, Locking	
2	0641618	2	Bolt, 3/8X2-1/4	
3	0760815	2	Bolt, M8X15	
4	2180798	1	Fitting	
5	4891600	2	Washer, 3/8	
6	8305043	2	Nut, M8X1.25	
7	8307106	2	Washer, Plain 5/16	
8	8307222	2	Washer, Plain M8	
9	8310522	2	Nut, Flange 3/8-16	
10	8405307	3	Clamp, T-Bolt	
11	8410021	1	Clamp, T-Bolt	
12	10268515	1	Assembly, Air Cleaner (See Separate Breakdown in this Section)	
13	10268516	1	Band, Mounting	
14	90028631	1	Clamp, T-Bolt	
15	91083129	1	Elbow, Reducer	
16	91293003	1	Hose, Hump Reducer	
17	1001166715	1	Restriction, Indicator	
18	1001190005	1	Hose, Air Intake	
19	1001190007	1	Bracket, Air Filter	
20	1001190183	1	Bracket, Air Filter	
21	1001212670	1	Pipe, Air Intake	

SECTION 4 - ENGINE AND ATTACHING PARTS

FIGURE 4-15. AIR CLEANER ASSEMBLY (130HP LS)



ART_10268515-D

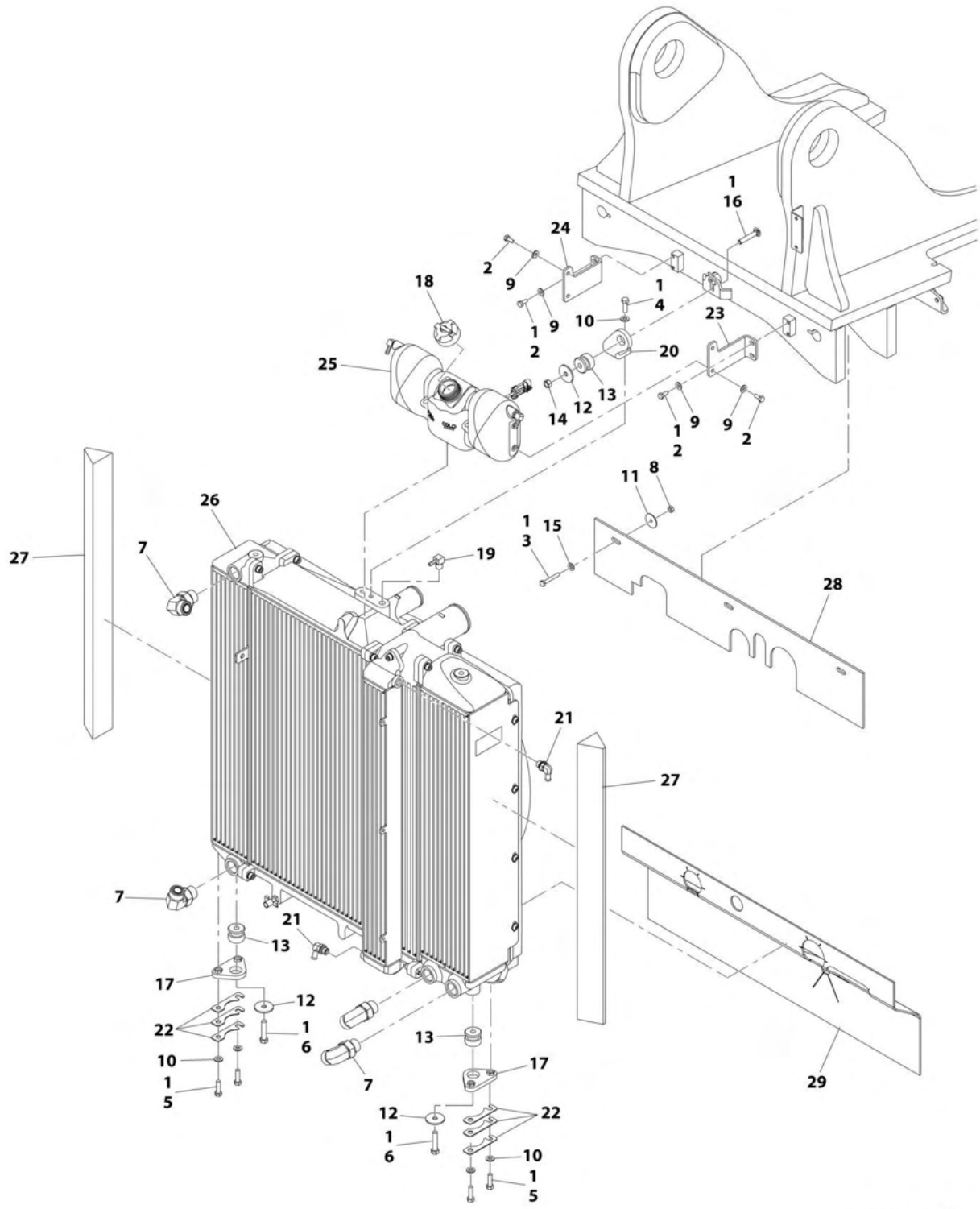
SECTION 4 - ENGINE AND ATTACHING PARTS

FIGURE 4-15. AIR CLEANER ASSEMBLY (130HP LS)

ITEM	PART NUMBER	QTY	DESCRIPTION	REV
	10268515	Ref	Air Cleaner Assembly (if equipped for LS)	D
1	91364023	1	Cover Assembly	
2	80373094	1	Vacuator Valve	
3	1101312	1	Primary Filter Element	
4	1101313	1	Secondary Filter Element	
5	See Note	NSS	Air Cleaner Body (Note; Purchase Complete Assembly)	

SECTION 4 - ENGINE AND ATTACHING PARTS

FIGURE 4-16. COOLING INSTALLATION (74HP)



ART_1001243887-A

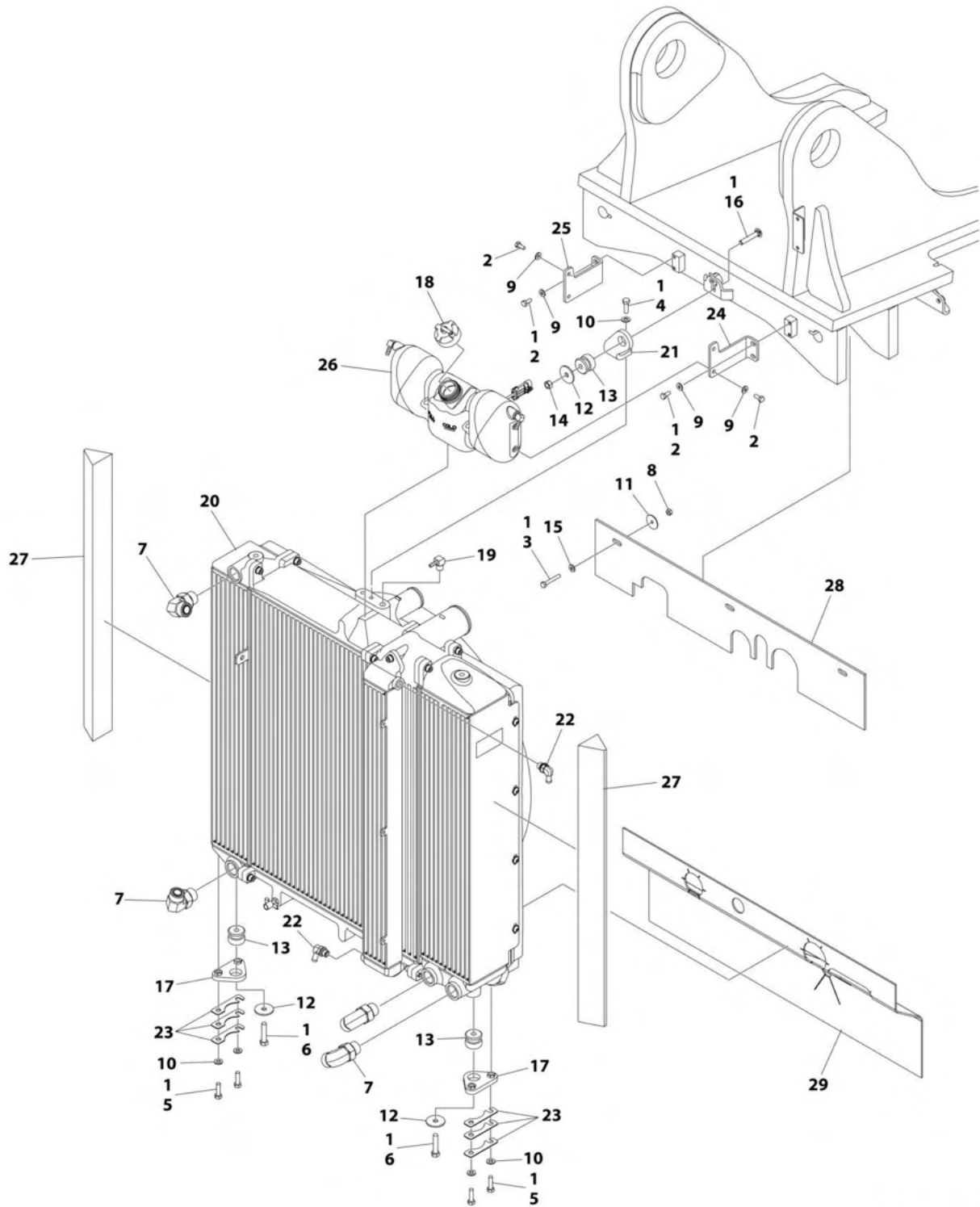
SECTION 4 - ENGINE AND ATTACHING PARTS

FIGURE 4-16. COOLING INSTALLATION (74HP)

ITEM	PART NUMBER	QTY	DESCRIPTION	REV
	1001243887	Ref	Cooling Installation (74HP)	A
1	0100011	AR	Compound, Locking	
2	0641405	8	Bolt, 1/4X5/8	
3	0641414	3	Bolt, 1/4X1-3/4	
4	0641508	2	Bolt, 5/16X1	
5	0641509	4	Bolt, 5/16X1-1/8	
6	0641614	2	Bolt, 3/8X1-3/4	
7	2131212	4	Adapter, 90	
8	3311401	3	Nut, 1/4	
9	4711400	8	Washer, 1/4	
10	4711500	6	Washer, 5/16	
11	4740362	3	Washer, Fender 1/4	
12	7057141	3	Washer, Flat	
13	8278020	3	Mount, Rubber Isolator	
14	8305008	1	Nut, 3/8	
15	8307109	3	Washer, 1/4	
16	8310281	1	Bolt, Carriage 3/8X2-1/4	
17	1001120869	2	Bracket, Cooler Mount Lower	
18	1001128341	1	Cap, Deaeration Tank	
19	1001134488	1	Fitting, Barbed 90	
20	1001169059	1	Mount, Cooler Bracket	
21	1001178776	2	Fitting, Hose Barb 90	
22	1001179845	6	Shim	
23	1001181584	1	Bracket, LH Tank	
24	1001181585	1	Bracket, RH Tank	
25	1001182255	1	Tank, Deaeration	
25	1001245478	1	Sensor, Coolant Level	
26	1001197475	1	Assembly, Radiator (See Separate Breakdown in this Section)	
27	1001244608	2	Seal, Foam	
28	1001244616	1	Panel, Air Dam Upper	
29	1001244617	1	Panel, Air Dam Lower	

SECTION 4 - ENGINE AND ATTACHING PARTS

FIGURE 4-17. COOLING INSTALLATION (130HP)



ART_1001243884_C

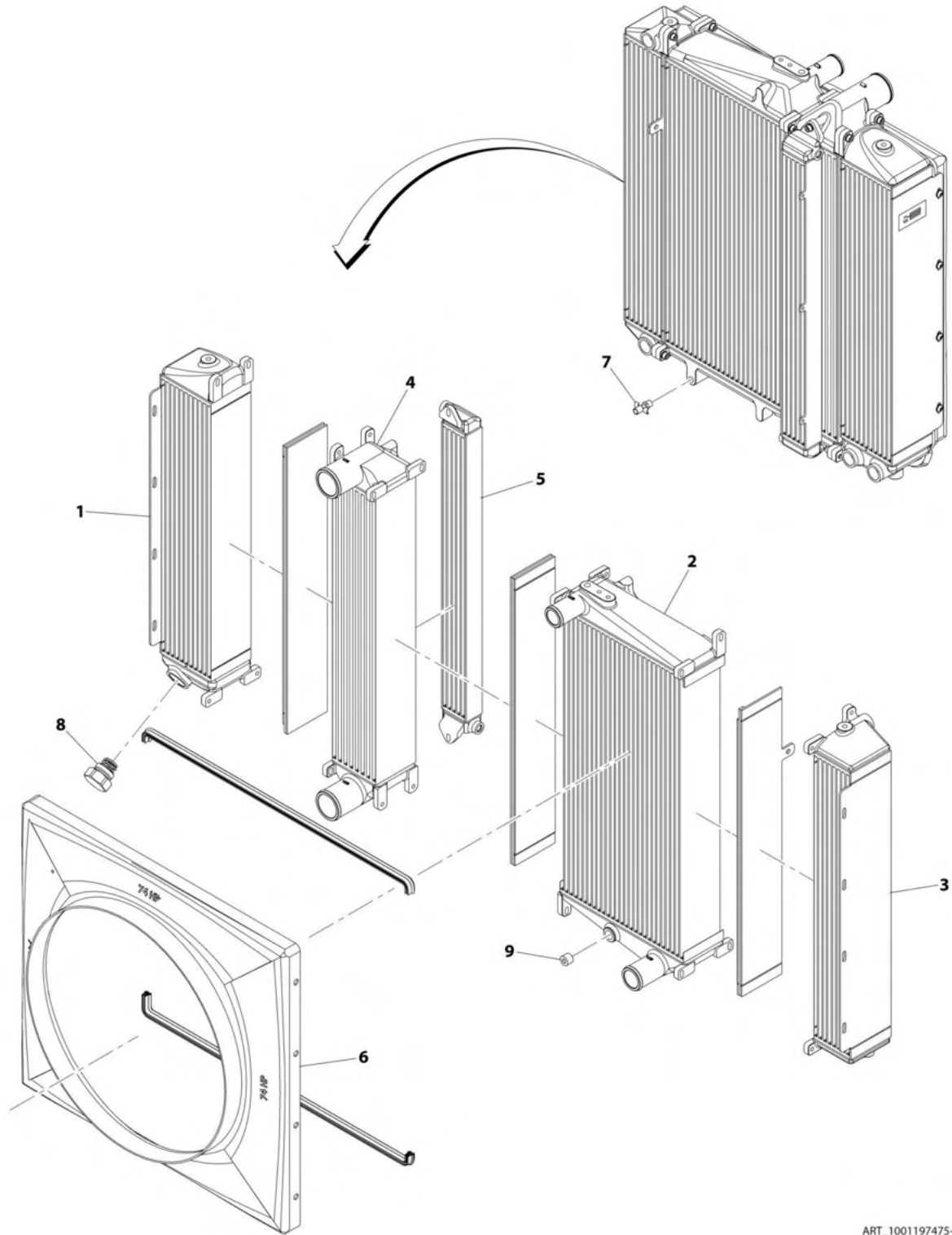
SECTION 4 - ENGINE AND ATTACHING PARTS

FIGURE 4-17. COOLING INSTALLATION (130HP)

ITEM	PART NUMBER	QTY	DESCRIPTION	REV
	1001243884	Ref	Cooling Installation (130HP)	C
1	0100011	AR	Compound, Locking	
2	0641405	8	Bolt, 1/4X5/8	
3	0641414	3	Bolt, 1/4X1-3/4	
4	0641508	2	Bolt, 5/16X1	
5	0641510	4	Bolt, 5/16x 1-1/4	
6	0641614	2	Bolt, 3/8X1-3/4	
7	2131212	4	Adapter, 90	
8	3311401	3	Nut, 1/4	
9	4711400	8	Washer, 1/4	
10	4711500	6	Washer, 5/16	
11	4740362	3	Washer, Fender 1/4	
12	7057141	3	Washer, Flat	
13	8278020	3	Mount, Rubber Isolator	
14	8305008	1	Nut, 3/8	
15	8307109	3	Washer, 1/4	
16	8310281	1	Bolt, Carriage 3/8X2-1/4	
17	1001120869	2	Bracket, Cooler Mount Lower	
18	1001128341	1	Cap, Deaeration Tank	
19	1001134488	1	Fitting, Barbed 90	
20	1001168478	1	Assembly, Radiator (See Separate Breakdown in this Section)	
21	1001169059	1	Mount, Cooler Bracket	
22	1001178776	2	Fitting, Hose Barb 90	
23	1001179845	6	Shim	
24	1001181584	1	Bracket, LH Tank	
25	1001181585	1	Bracket, RH Tank	
26	1001182255	1	Tank, Deaeration	
26	1001245478	1	Sensor, Coolant Level	
27	1001244608	2	Seal, Foam	
28	1001244616	1	Panel, Air Dam Upper	
29	1001244617	1	Panel, Air Dam Lower	

SECTION 4 - ENGINE AND ATTACHING PARTS

FIGURE 4-18. RADIATOR ASSEMBLY (74HP)



ART_1001197475-D

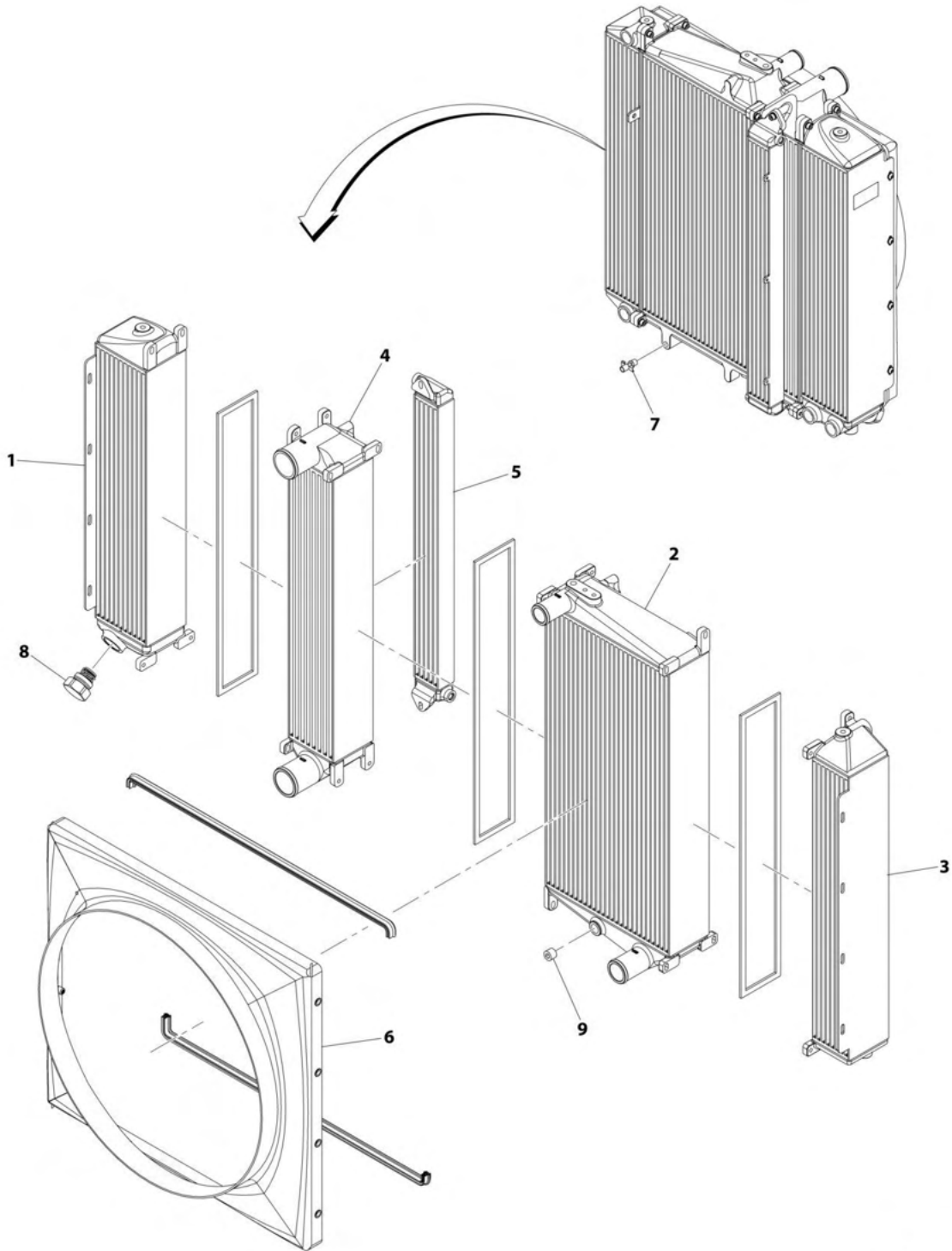
SECTION 4 - ENGINE AND ATTACHING PARTS

FIGURE 4-18. RADIATOR ASSEMBLY (74HP)

ITEM	PART NUMBER	QTY	DESCRIPTION	REV
	1001197475	Ref	Radiator Assembly (74HP)	D
1	70026075	1	Transmission Oil Cooler	
2	70026076	1	Radiator	
3	70026077	1	Hydraulic Oil Cooler	
4	70026078	1	Charge Air Cooler	
5	70026079	1	Fuel Cooler	
6	70027094	1	Fan Shroud	
7	70026081	1	Petcock	
8	70026082	1	Valve, Bypass	
9	70026083	1	Plug, Hex	

SECTION 4 - ENGINE AND ATTACHING PARTS

FIGURE 4-19. RADIATOR ASSEMBLY (130HP)



ART_1001168478

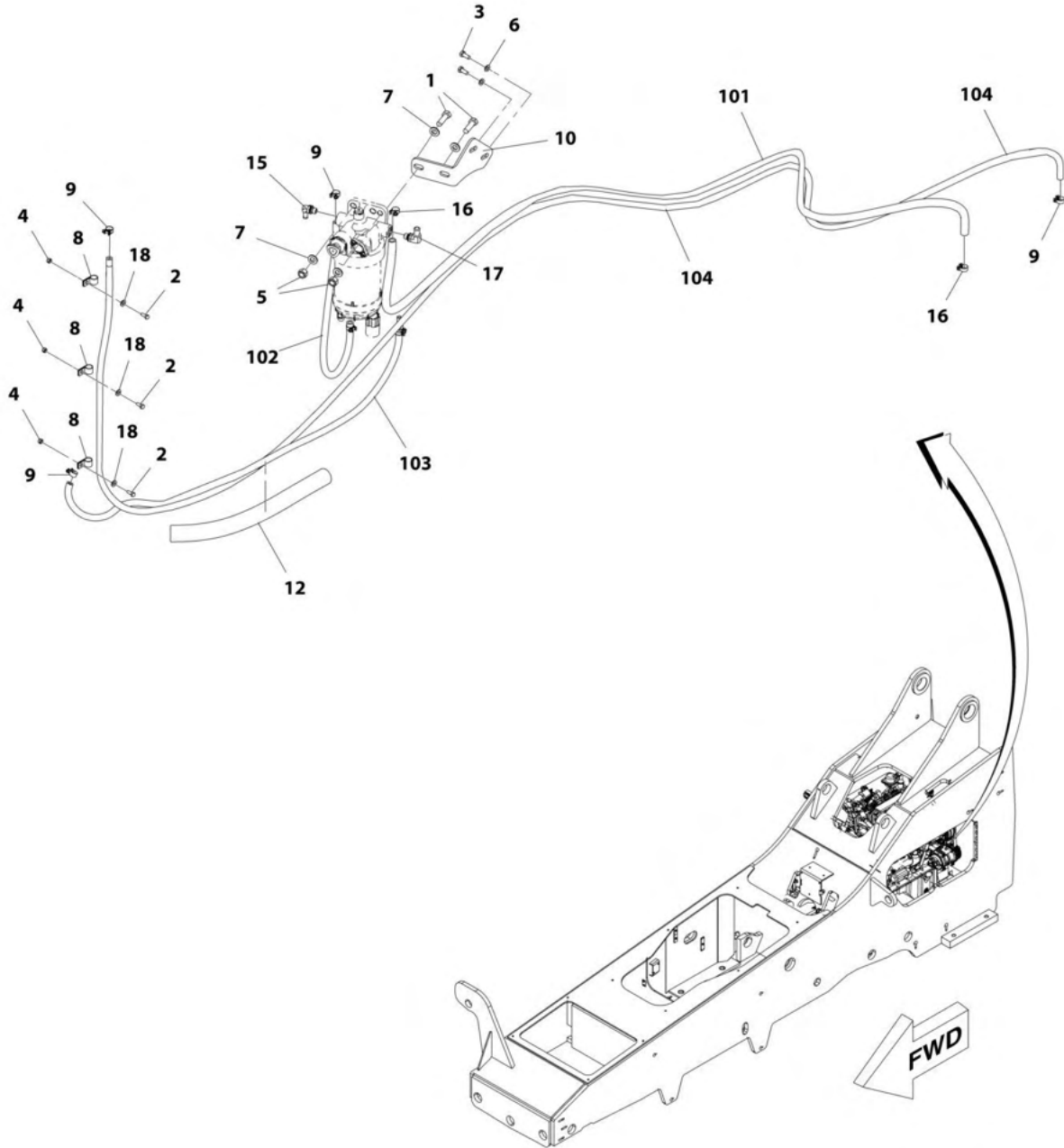
SECTION 4 - ENGINE AND ATTACHING PARTS

FIGURE 4-19. RADIATOR ASSEMBLY (130HP)

ITEM	PART NUMBER	QTY	DESCRIPTION	REV
	1001168478	Ref	Radiator Assembly	F
1	70026075	1	Transmission Oil Cooler	
2	70026076	1	Radiator	
3	70026077	1	Hydraulic Oil Cooler	
4	70026078	1	Charge Air Cooler	
5	70026079	1	Fuel Cooler	
6	70026080	1	Shroud, Fan	
7	70026081	1	Petcock	
8	70026082	1	Valve, Bypass	
9	70026083	1	Plug, Hex	

SECTION 4 - ENGINE AND ATTACHING PARTS

FIGURE 4-20. FUEL PLUMBING INSTALLATION (ULS)



ART_1001165672-H

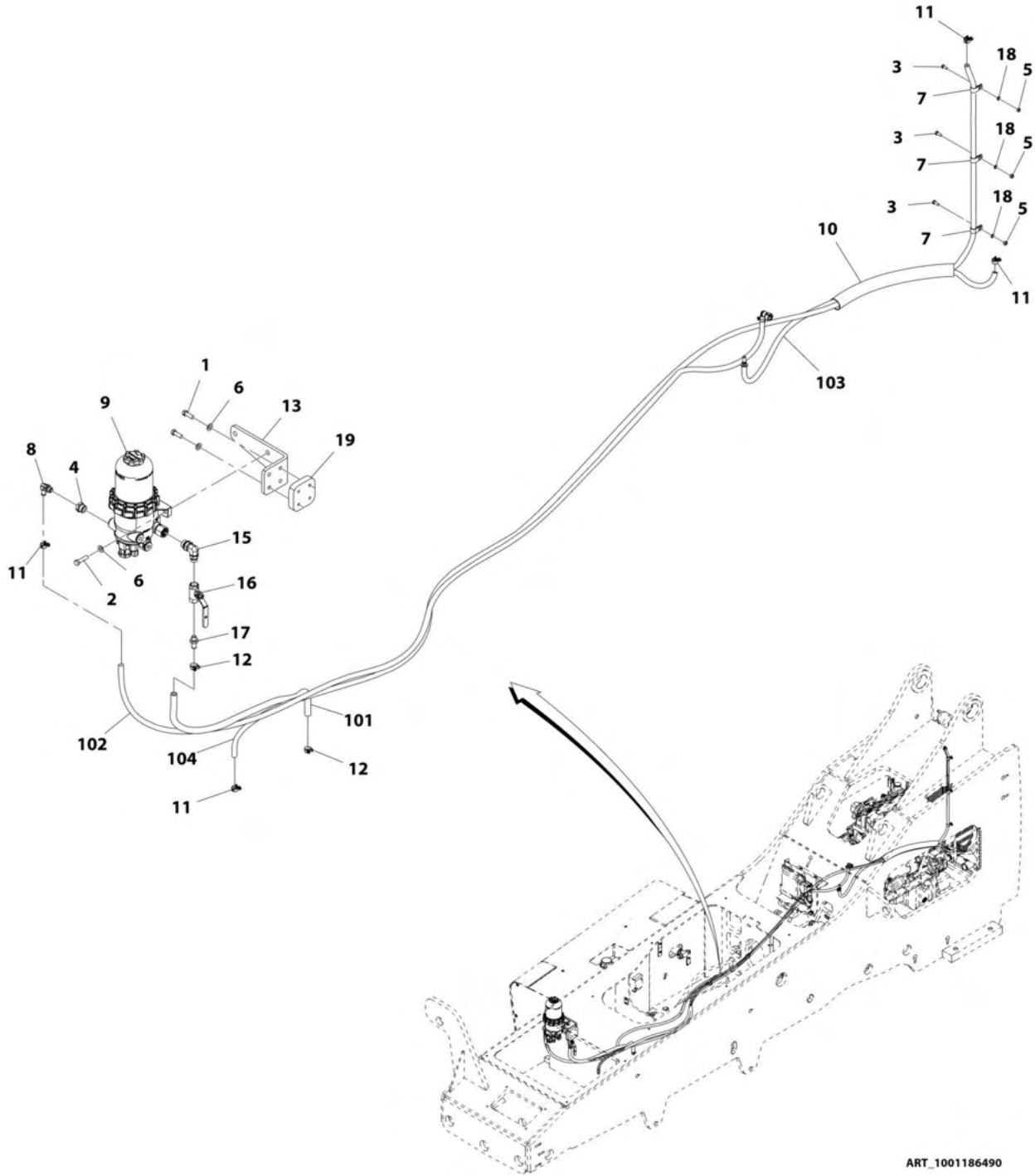
SECTION 4 - ENGINE AND ATTACHING PARTS

FIGURE 4-20. FUEL PLUMBING INSTALLATION (ULS)

ITEM	PART NUMBER	QTY	DESCRIPTION	REV
	1001165672	Ref	Fuel Plumbing Installation (if equipped for ULS)	H
1	0701216	2	Bolt, M12X40	
2	0760608	3	Bolt, M6X16	
3	0761012	2	Bolt, M10X25	
4	3290605	3	Nut, Lock M6X1	
5	3291205	2	Nut, Lock M12X1-3/4	
6	4812000	2	Washer, M10	
7	4812100	4	Washer, M12	
8	8406112	3	Clip, Tube 5/8	
9	1001136975	5	Clamp, Fuel Hose	
10	1001182603	1	Bracket, Filter Mount	
12	1001136358	1	Sleeve, Abrasion	
15	1001182094	1	Adapter, Banjo M14X3/8	
16	1001175568	2	Clip, Hose	
17	1001179375	1	Adapter, Banjo M14X1/2	
18	4811700	3	Washer, M6	
101	1001171802	1	Hose	
102	1001171803	1	Hose	
103	1001201111	1	Hose	
104	1001171805	1	Hose	

SECTION 4 - ENGINE AND ATTACHING PARTS

FIGURE 4-21. FUEL PLUMBING INSTALLATION (LS)



ART_1001186490

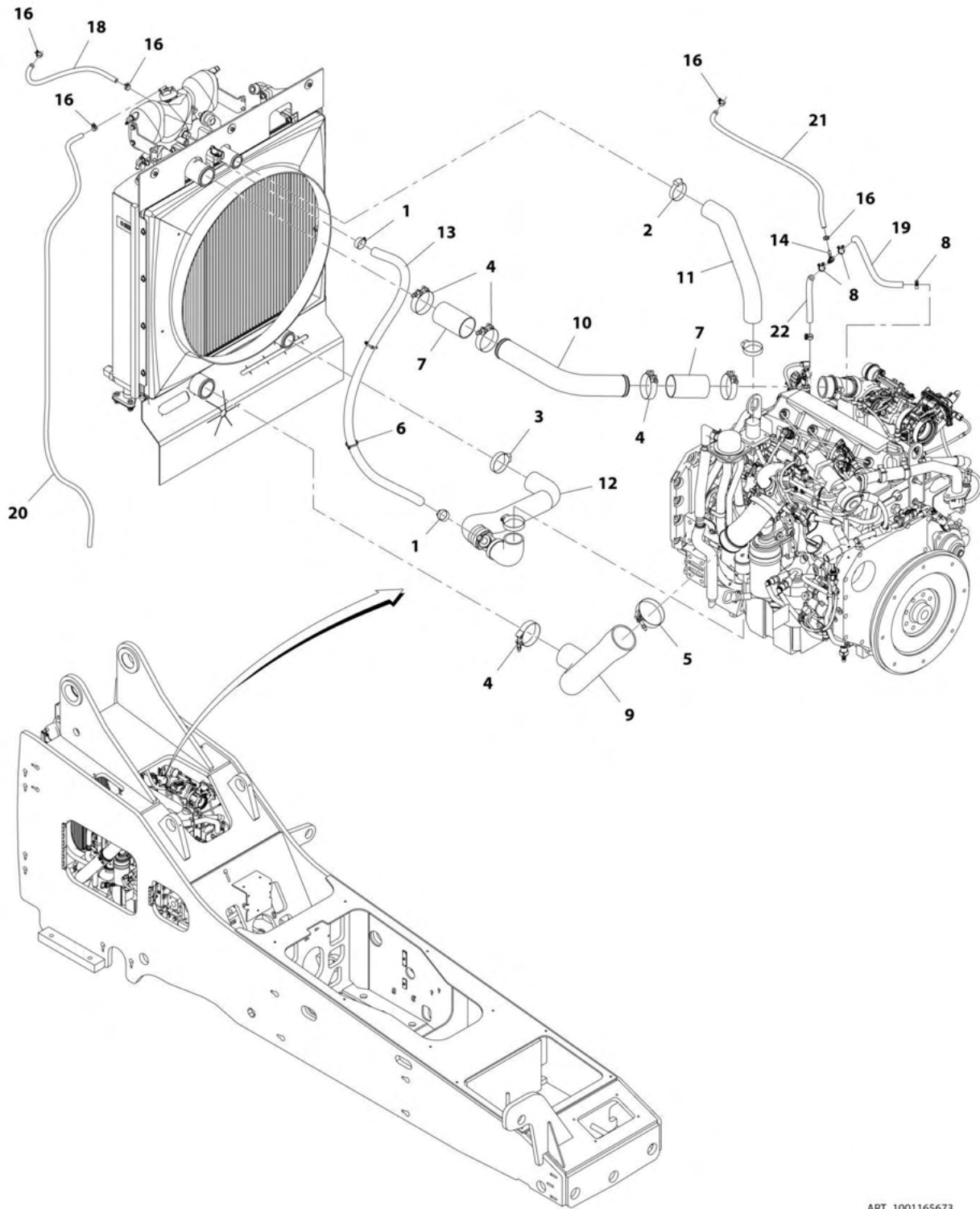
SECTION 4 - ENGINE AND ATTACHING PARTS

FIGURE 4-21. FUEL PLUMBING INSTALLATION (LS)

ITEM	PART NUMBER	QTY	DESCRIPTION	REV
	1001186490	Ref	Fuel Plumbing Installation (if equipped for LS)	J
1	0641609	4	Bolt, 3/8-16X1-1/8	
2	0641612	2	Bolt, 3/8-16X1-1/2	
3	0760608	3	Bolt, M6X16	
4	2220218	1	Adapter, Straight	
5	3290605	3	Nut, Lock M6X1	
6	4711600	6	Washer, 3/8	
7	8406112	3	Clip, Tube 5/8	
8	1001178776	1	Elbow, 90	
9	1001133534	1	Filter, Fuel	
10	1001136358	1	Sleeve, Abrasion	
11	1001136975	4	Clamp, Fuel Hose	
12	1001175568	2	Clip, Hose	
13	1001190349	1	Bracket, Support	
15	1001190629	1	Adapter, 90	
16	1001190630	1	Valve Shutoff, Female	
17	1001190631	1	Fitting, Hose Barb	
18	4811600	3	Washer, M6	
19	1001190344	1	Bracket	
100	1001190372	1	Hose Kit (Not Shown)	
101	1001190370	1	Hose	
102	1001190371	1	Hose	
103	1001201111	1	Hose	
104	1001171805	1	Hose	

SECTION 4 - ENGINE AND ATTACHING PARTS

FIGURE 4-22. PLUMBING COOLING INSTALLATION (ULS)



ART_1001165673

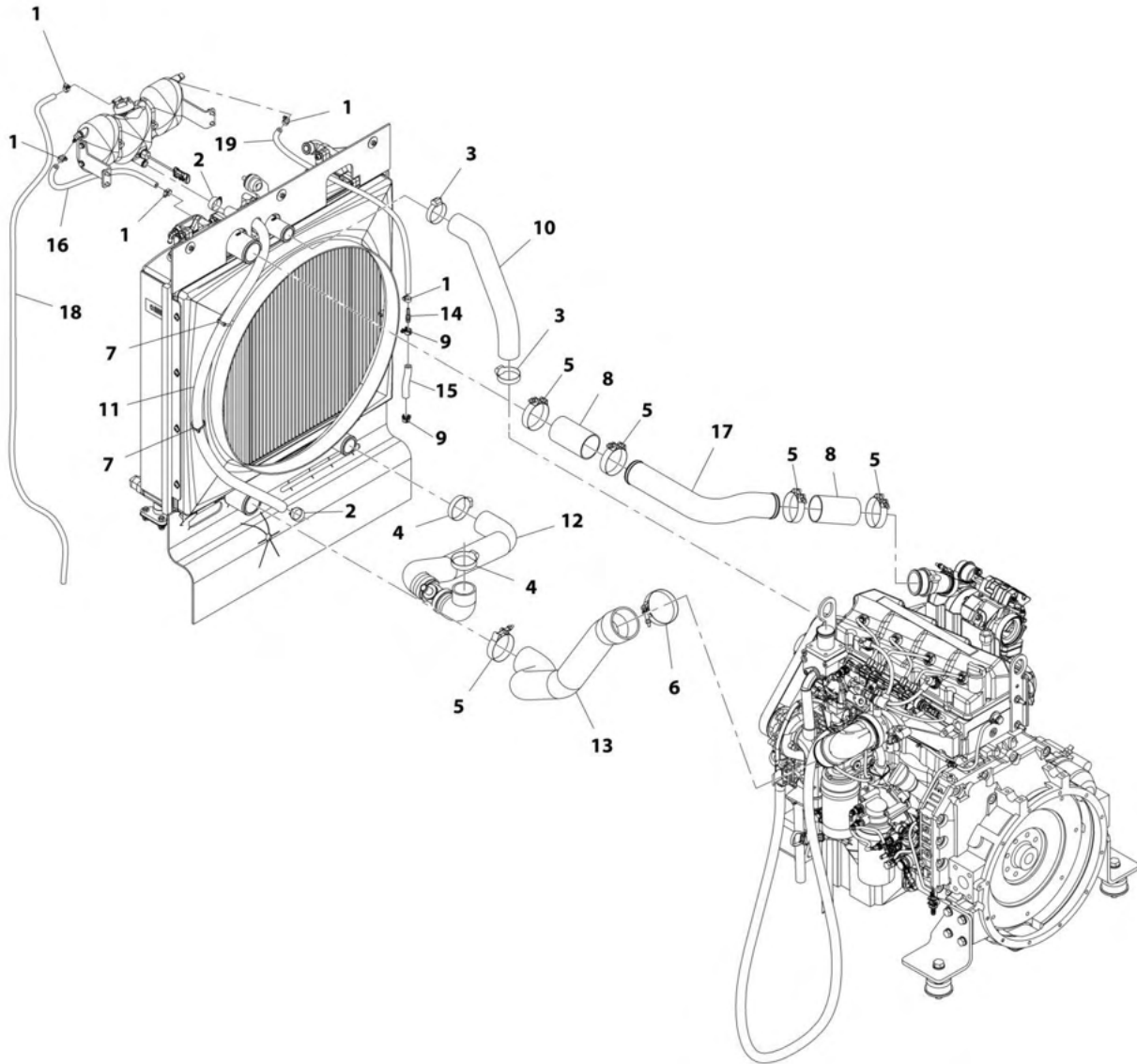
SECTION 4 - ENGINE AND ATTACHING PARTS

FIGURE 4-22. PLUMBING COOLING INSTALLATION (ULS)

ITEM	PART NUMBER	QTY	DESCRIPTION	REV
	1001165673	Ref	Plumbing Cooling Installation (if equipped for ULS)	1
1	8405007	2	Clamp, Gear 1-1/4	
2	8405104	2	Clamp, Gear 2-1/4	
3	8405201	2	Clamp, Gear 2-1/2	
4	8405212	5	Clamp, T-Bolt	
5	8405305	1	Clamp, T-Bolt	
6	1001004720	2	Strap, Cable	
7	1001114495	2	Hose, CAC Straight	
8	1001136975	4	Clamp, Fuel Hose	
9	1001201983	1	Hose, CAC Outlet	
10	1001169271	1	Pipe, CAC Inlet	
11	1001169272	1	Hose, Upper Radiator	
12	1001201945	1	Hose, Lower Radiator	
13	1001169274	1	Hose, Draw Down	
14	1001235725	1	Fitting, Union Tee	
16	1001213938	5	Clamp, Fuel Line	
18	1001203969	1	Hose, Vent Line	
19	1001203970	1	Hose, Vent Line	
20	1001204097	1	Hose, Vent Line	
21	1001204098	1	Hose, Vent Line	
22	1001204099	1	Hose, Vent Line	

SECTION 4 - ENGINE AND ATTACHING PARTS

FIGURE 4-23. PLUMBING COOLING INSTALLATION (LS)



ART_1001185652-D

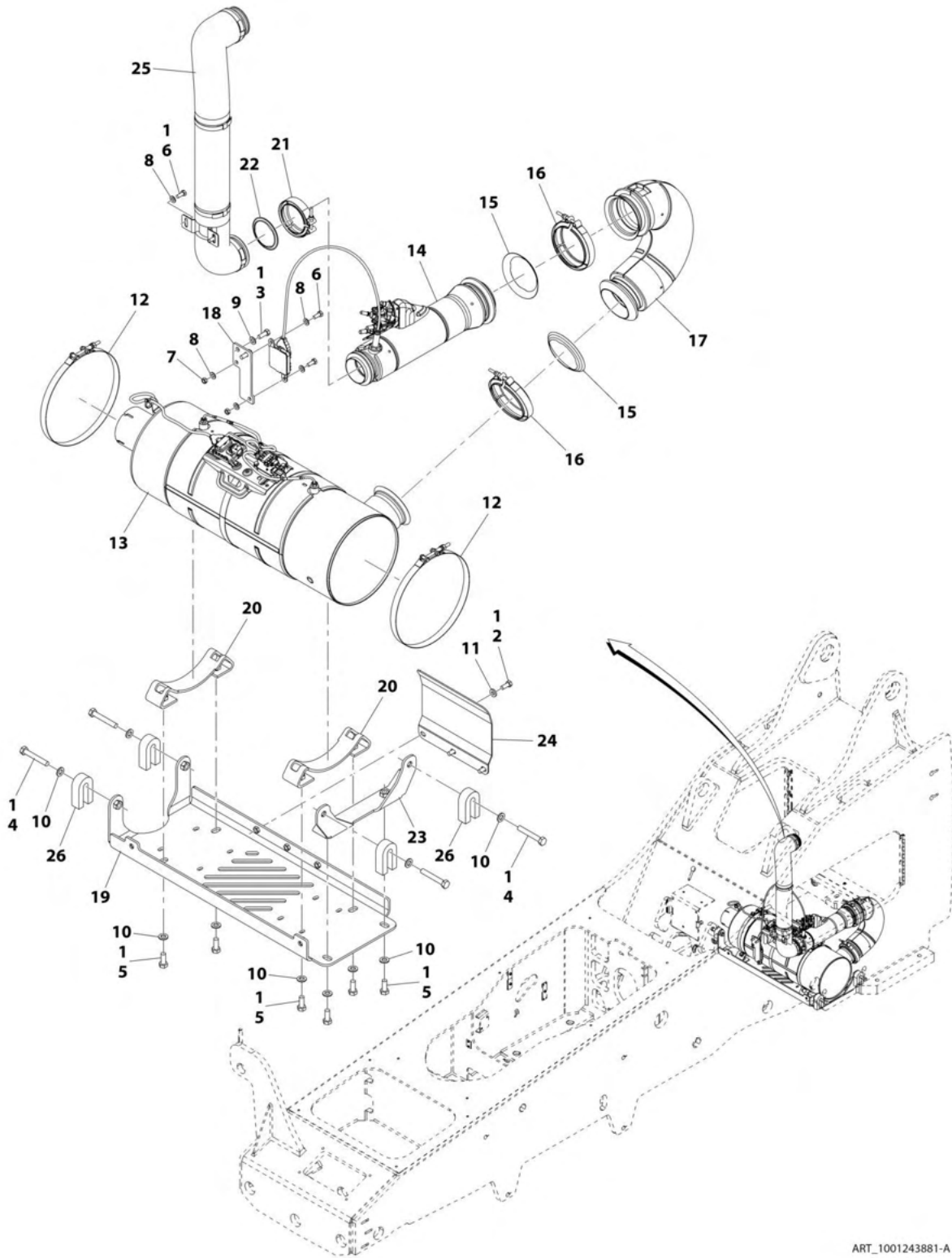
SECTION 4 - ENGINE AND ATTACHING PARTS

FIGURE 4-23. PLUMBING COOLING INSTALLATION (LS)

ITEM	PART NUMBER	QTY	DESCRIPTION	REV
	1001185652	Ref	Plumbing Cooling Installation (if equipped for LS)	D
1	1320022	5	Clamp, Fuel Line	
2	8405007	2	Clamp, Gear 1-1/4	
3	8405104	2	Clamp, Gear 2-1/4	
4	8405201	2	Clamp, Gear 2-1/2	
5	8405212	5	Clamp, T-Bolt	
6	8405305	1	Clamp, T-Bolt	
7	1001004720	2	Strap, Cable	
8	1001114495	2	Hose, CAC Straight	
9	1001136975	2	Clamp, Fuel Hose	
10	1001169272	1	Hose, Upper Radiator	
11	1001169274	1	Hose, Draw Down	
12	1001201945	1	Hose, Lower Radiator	
13	1001189318	1	Hose, CAC Outlet	
14	1001189602	1	Fitting, Union Tee	
15	1001189712	1	Hose, Vent Line 3/8	
16	1001203969	1	Hose, Vent 1/4	
17	1001189715	1	Pipe, CAC Inlet	
18	1001204097	1	Hose, Vent 1/4	
19	1001204098	1	Hose, Vent 1/4	

SECTION 4 - ENGINE AND ATTACHING PARTS

FIGURE 4-24. AFTERTREATMENT INSTALLATION (ULS)



ART_1001243881-A

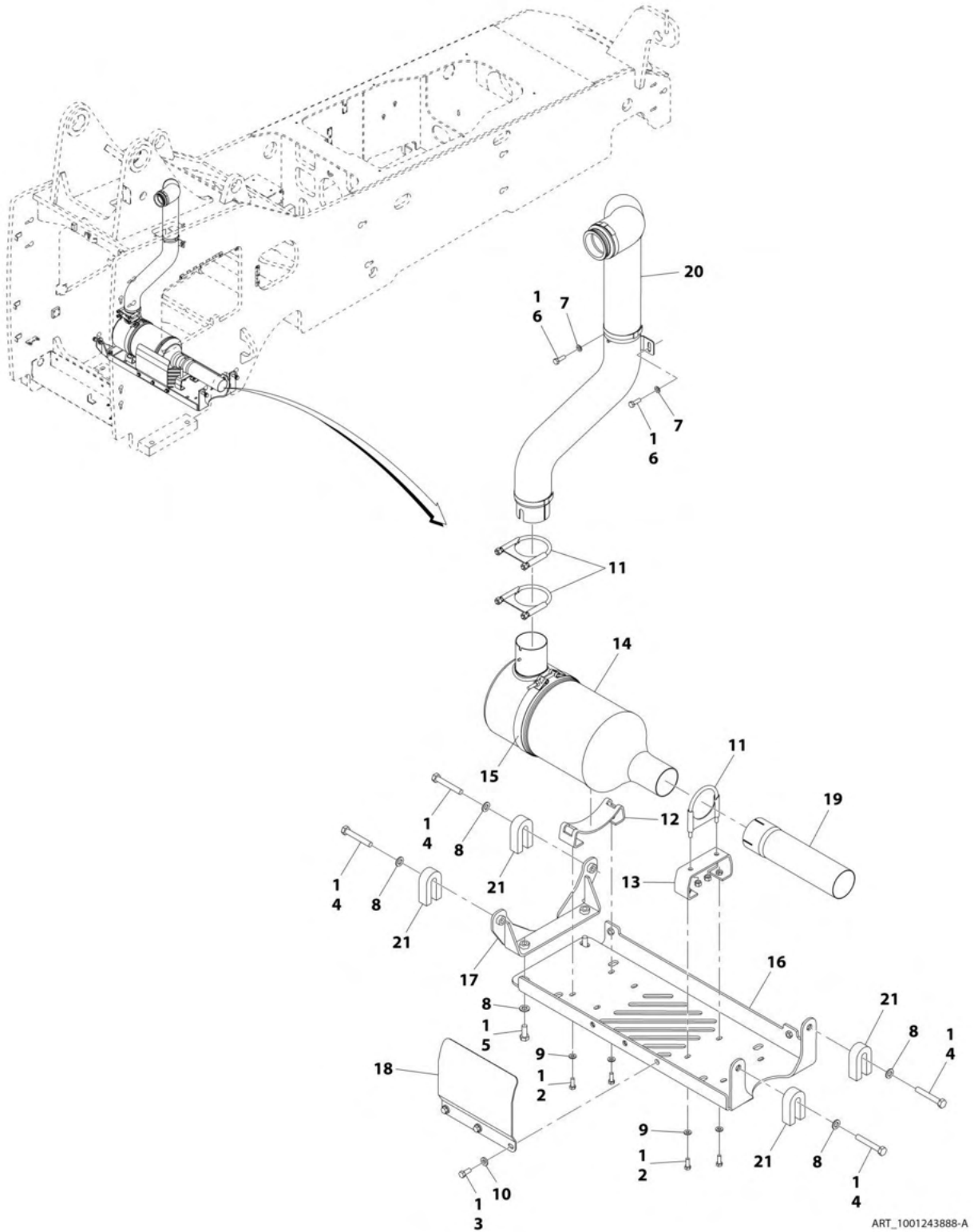
SECTION 4 - ENGINE AND ATTACHING PARTS

FIGURE 4-24. AFTERTREATMENT INSTALLATION (ULS)

ITEM	PART NUMBER	QTY	DESCRIPTION	REV
	1001243881	Ref	Aftertreatment Installation (ULS)	A
1	0100011	AR	Compound, Locking	
2	0641607	3	Capscrew, 3/8-16X7/8	
3	0641608	2	Bolt, 3/8-16X1	
4	0701224	4	Bolt, M12X80	
5	0711214	6	Bolt, M12X30	
6	0760810	4	Bolt, M8X20	
7	3290801	2	Nut, M8X1-1/4	
8	4811900	6	Washer, M8	
9	4812000	2	Washer, M10	
10	4812100	10	Washer, M12	
11	4891600	3	Washer, 3/8	
12	1001159932	2	Strap, Clamp	
13	1001160782	1	Muffler, After-Treatment	
14	1001164404	1	Muffler, Decomposition Reactor Tube	
15	1001164837	2	Seal, Gasket	
16	1001164838	2	Clamp, V-Band	
17	1001165609	1	Pipe, Exhaust	
18	1001166693	1	Bracket	
19	1001166935	1	Bracket	
20	1001166976	2	Bracket	
21	1001167167	1	Clamp, V-Band	
22	1001167168	1	Seal, Gasket	
23	1001169057	1	Bracket	
24	1001174327	1	Shield	
25	1001183811	1	Pipe, Exhaust	
26	1001244277	4	Spacer	

SECTION 4 - ENGINE AND ATTACHING PARTS

FIGURE 4-25. EXHAUST INSTALLATION (74HP)



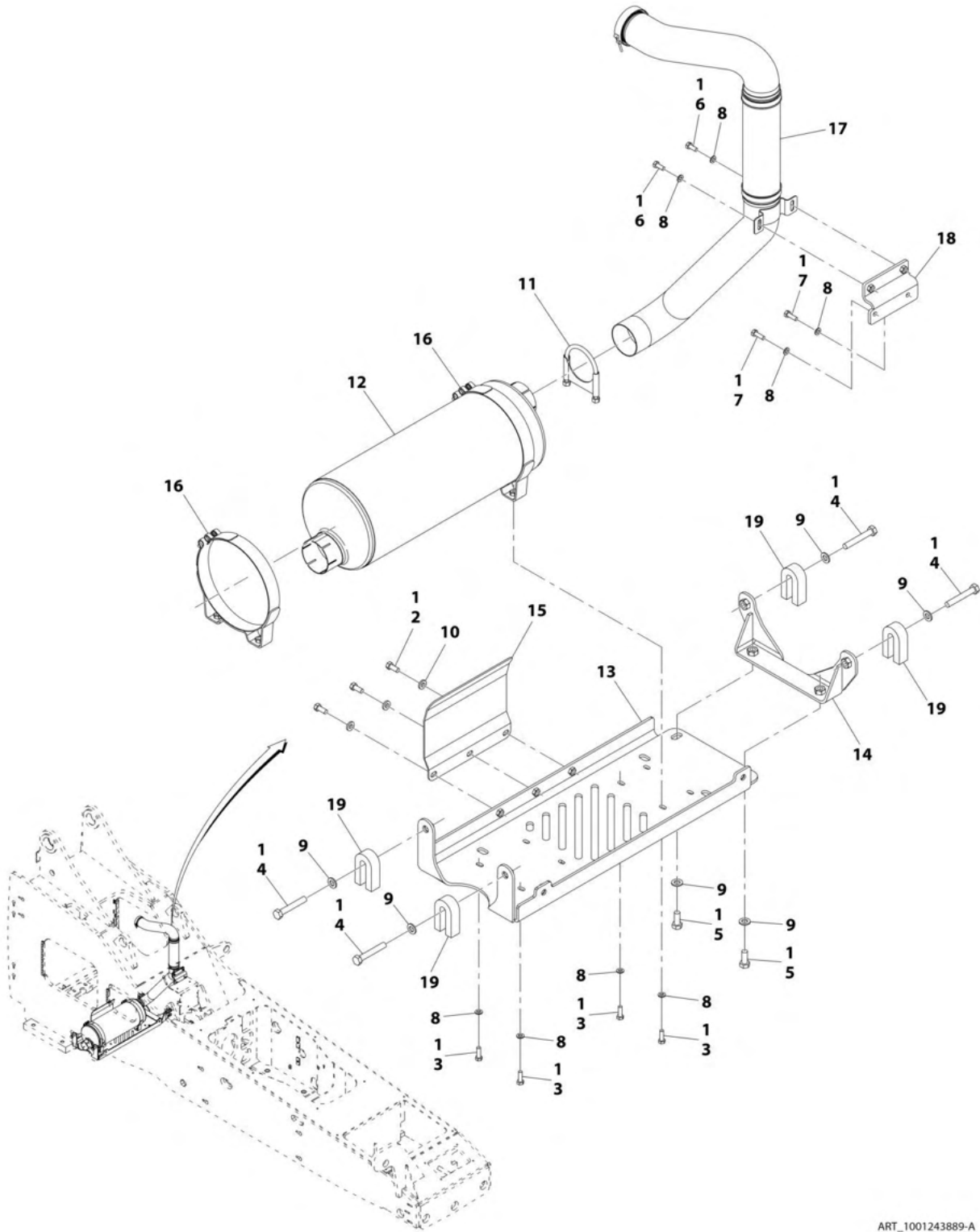
SECTION 4 - ENGINE AND ATTACHING PARTS

FIGURE 4-25. EXHAUST INSTALLATION (74HP)

ITEM	PART NUMBER	QTY	DESCRIPTION	REV
	1001243888	Ref	Exhaust Installation (74HP)	A
1	0100011	AR	Compound, Locking	
2	0641507	4	Bolt, 5/16-18X7/8	
3	0641607	3	Bolt, 3/8-16X7/8	
4	0701224	4	Bolt, M12X80	
5	0711214	2	Bolt, M12X30	
6	0760812	2	Bolt, M8X25	
7	4811900	2	Washer, M8	
8	4812100	6	Washer, M12	
9	4891500	4	Washer, 5/16	
10	4891600	3	Washer, 3/8	
11	24921332	3	Clamp	
12	1001128363	1	Bracket	
13	1001128364	1	Bracket	
14	1001128714	1	Muffler	
15	1001128901	1	Strap	
16	1001166935	1	Bracket	
17	1001169057	1	Bracket	
18	1001174327	1	Shield	
19	1001196396	1	Pipe, Exhaust	
20	1001196397	1	Pipe, Exhaust	
21	1001244277	4	Spacer	

SECTION 4 - ENGINE AND ATTACHING PARTS

FIGURE 4-26. EXHAUST INSTALLATION (130HP)



ART_1001243889-A

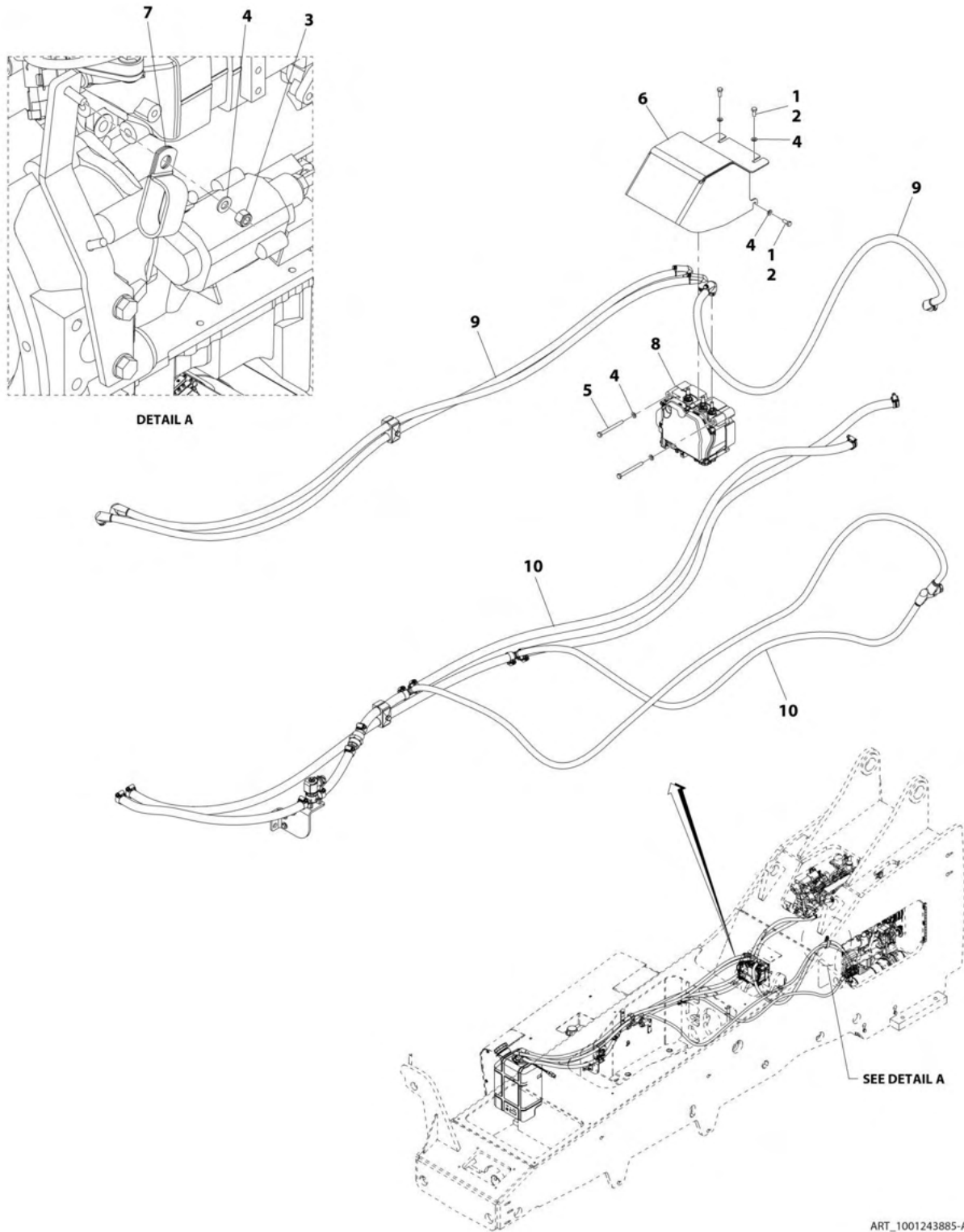
SECTION 4 - ENGINE AND ATTACHING PARTS

FIGURE 4-26. EXHAUST INSTALLATION (130HP)

ITEM	PART NUMBER	QTY	DESCRIPTION	REV
	1001243889	Ref	Exhaust Installation (130HP)	A
1	0100011	AR	Compound, Locking	
2	0641607	3	Bolt, 3/8-16X7/8	
3	0700812	4	Bolt, M8X25	
4	0701224	4	Bolt, M12X80	
5	0711214	2	Bolt, M12X30	
6	0760810	2	Bolt, M8X20	
7	0760812	2	Bolt, M8X25	
8	4811900	8	Washer, M8	
9	4812100	6	Washer, M12	
10	4891600	3	Washer, 3/8	
11	24921332	1	Clamp	
12	91163035	1	Muffler	
13	1001166935	1	Bracket	
14	1001169057	1	Bracket	
15	1001174327	1	Shield	
16	1001180227	2	Muffler, Band Clamp	
17	1001190962	1	Pipe, Exhaust	
18	1001190990	1	Bracket, Exhaust Support	
19	1001244277	4	Spacer	

SECTION 4 - ENGINE AND ATTACHING PARTS

FIGURE 4-27. DEF SYSTEM INSTALLATION (ULS)



ART_1001243885-A

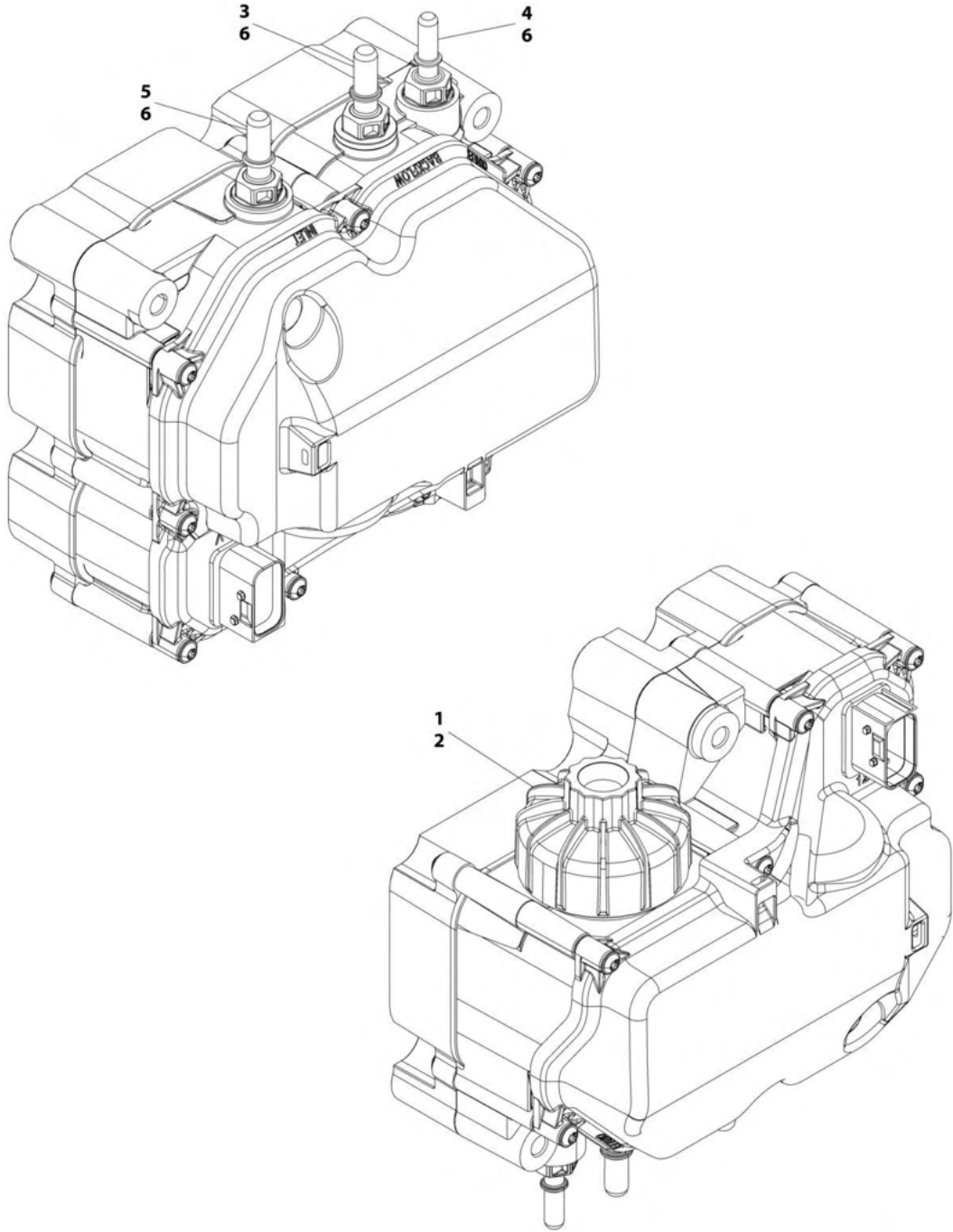
SECTION 4 - ENGINE AND ATTACHING PARTS

FIGURE 4-27. DEF SYSTEM INSTALLATION (ULS)

ITEM	PART NUMBER	QTY	DESCRIPTION	REV
	1001243885	Ref	DEF System Installation (ULS)	A
1	0100011	AR	Compound, Locking	
2	0760810	4	Bolt, M8X20	
3	3290805	1	Nut, Lock M8X1-1/4	
4	4811900	8	Washer, M8	
5	8310424	3	Bolt, M8X90	
6	1001169172	1	Cover, DEF Supply	
7	1001181899	1	Clamp	
8	1001213210	1	DEF Module Pump (See Separate Breakdown in this Section)	
9	1001229025	1	Installation, DEF Lines (See Separate Breakdown in this Section)	
10	1001229117	1	Installation, DEF Coolant Lines (See Separate Breakdown in this Section)	

SECTION 4 - ENGINE AND ATTACHING PARTS

FIGURE 4-28. DEF MODULE PUMP



ART_1001213210-A

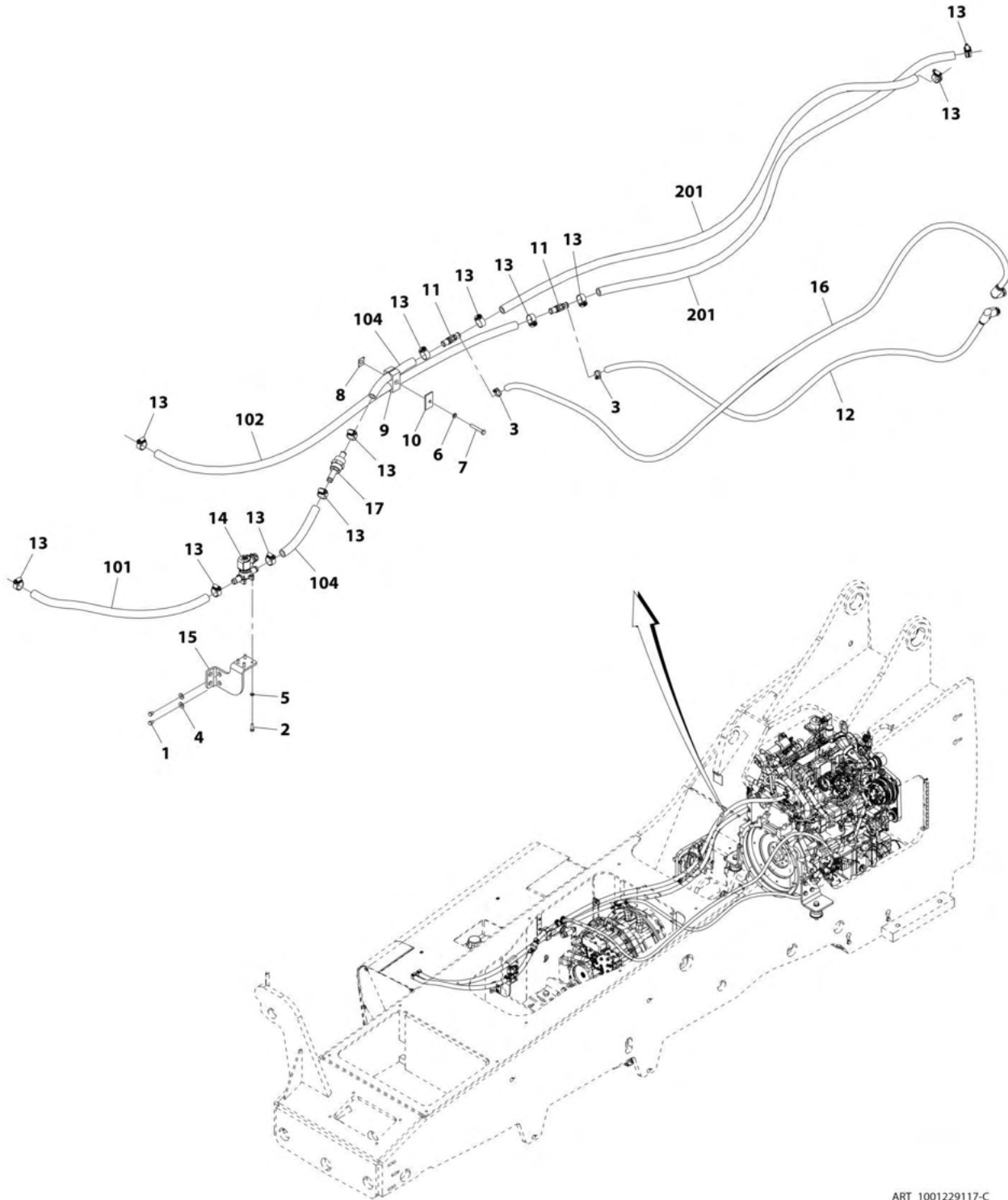
SECTION 4 - ENGINE AND ATTACHING PARTS

FIGURE 4-28. DEF MODULE PUMP

ITEM	PART NUMBER	QTY	DESCRIPTION	REV
	1001213210	Ref	DEF Module Pump	A
1	70026248	1	Kit, Filter	
2	70026247	1	Cap, Filter	
3	70027705	1	Connector, Male (Backflow)	
4	70026245	1	Connector, Male (Outlet)	
5	70026244	1	Connector, Male (Inlet)	
6	70027706	3	Gasket, Circular (O-Ring)	

SECTION 4 - ENGINE AND ATTACHING PARTS

FIGURE 4-29. DEF COOLANT LINES INSTALLATION



ART_1001229117-C

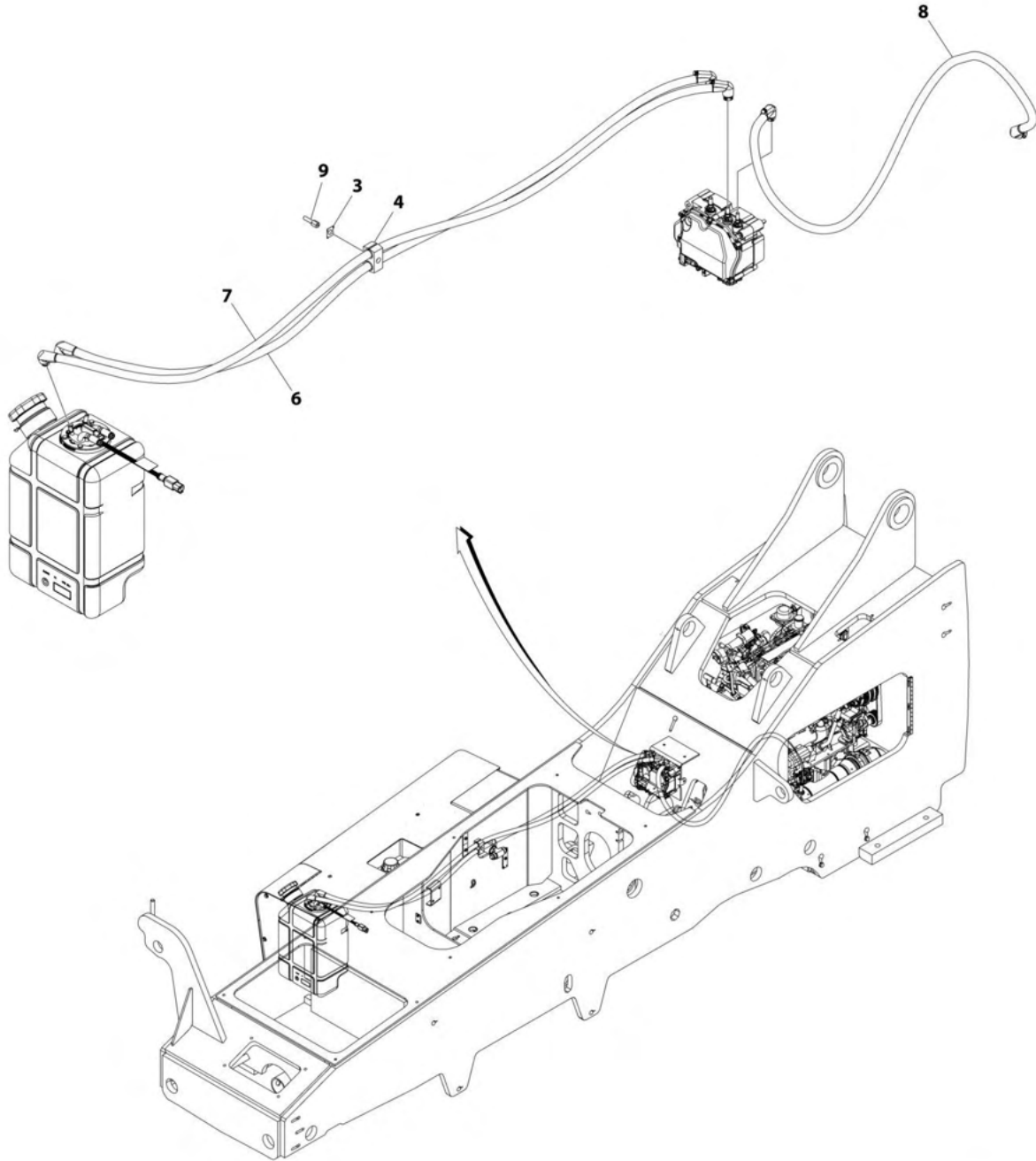
SECTION 4 - ENGINE AND ATTACHING PARTS

FIGURE 4-29. DEF COOLANT LINES INSTALLATION

ITEM	PART NUMBER	QTY	DESCRIPTION	REV
	1001229117	Ref	DEF Coolant Lines Installation	C
1	0641403	2	Bolt, 1/4X3/8	
2	0760610	4	Bolt, M6X20	
3	1320032	2	Clamp, Fuel Line	
4	4751400	2	Washer, 1/4	
5	4811700	4	Washer, M6	
6	8307004	1	Washer 5/16	
7	8310009	1	Bolt, 5/16X2	
8	8750017	1	Plate, Locking	
9	8769127	1	Clamp Set, Twin	
10	8769128	1	Plate, Twin Cover	
11	1001162212	2	Fitting, Hose Barb Tee	
12	1001169001	1	Hose	
13	1001173535	12	Clamp	
14	1001199670	1	Valve, Coolant Control	
15	1001199951	1	Bracket, Valve Mount	
16	1001224096	1	Hose	
17	1001228872	1	Filter, Coolant Screen	
101	1001171472	1	Hose	
102	1001171473	1	Hose	
103	1001229210	2	Hose	
201	1001171474	2	Hose	

SECTION 4 - ENGINE AND ATTACHING PARTS

FIGURE 4-30. DEF LINES INSTALLATION



ART_1001229025_D

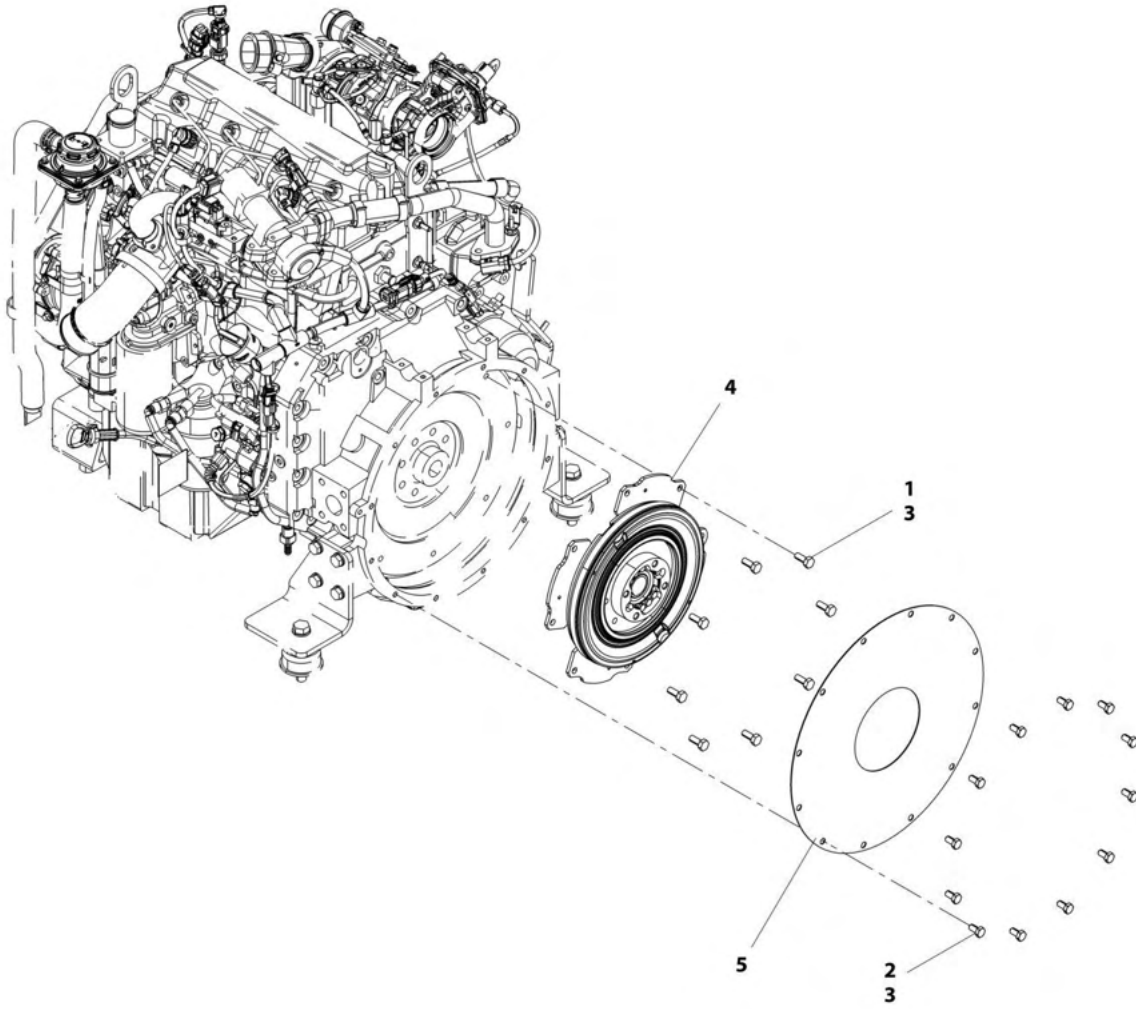
SECTION 4 - ENGINE AND ATTACHING PARTS

FIGURE 4-30. DEF LINES INSTALLATION

ITEM	PART NUMBER	QTY	DESCRIPTION	REV
	1001229025	Ref	DEF Lines Installation	D
3	8750017	1	Plate, Locking	
4	8769127	1	Clamp Set, Twin	
6	1001229023	1	Hose	
7	1001229024	1	Hose	
8	1001168859	1	Hose	
9	8750012	1	Bolt, Stacking	

SECTION 4 - ENGINE AND ATTACHING PARTS

FIGURE 4-31. PUMP COUPLER INSTALLATION



ART_1001166229_B

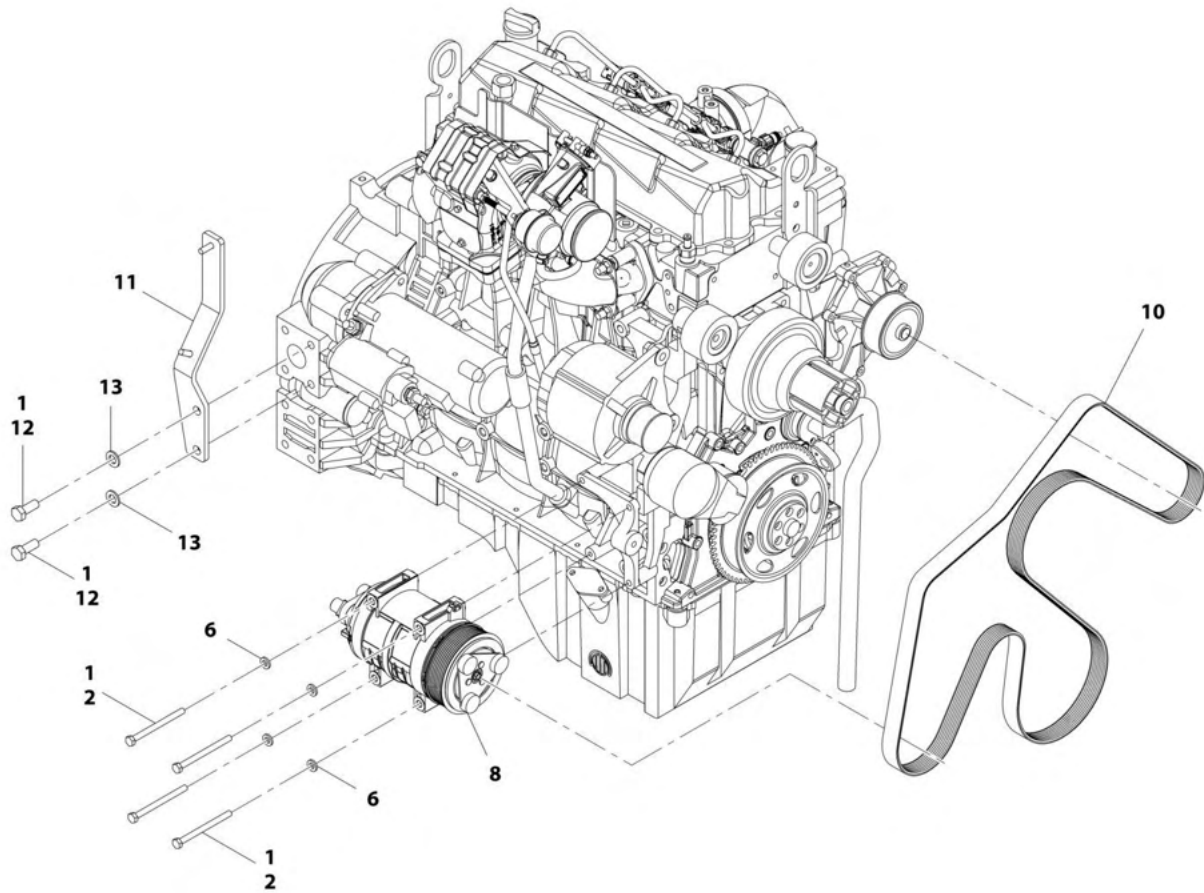
SECTION 4 - ENGINE AND ATTACHING PARTS

FIGURE 4-31. PUMP COUPLER INSTALLATION

ITEM	PART NUMBER	QTY	DESCRIPTION	REV
	1001166229	Ref	Isolation Coupler Installation	B
1	0761012	8	Bolt, M10X25	
2	8303784	12	Bolt, M10X20	
3	8526007	AR	Compound, Locking	
4	1001180244	1	Coupling, Torsion Damper	
5	1001185071	1	Panel, Isolation Coupler	

SECTION 4 - ENGINE AND ATTACHING PARTS

FIGURE 4-32. A/C COMPONENTS INSTALLATION (74HP)



ART_1001190295-B

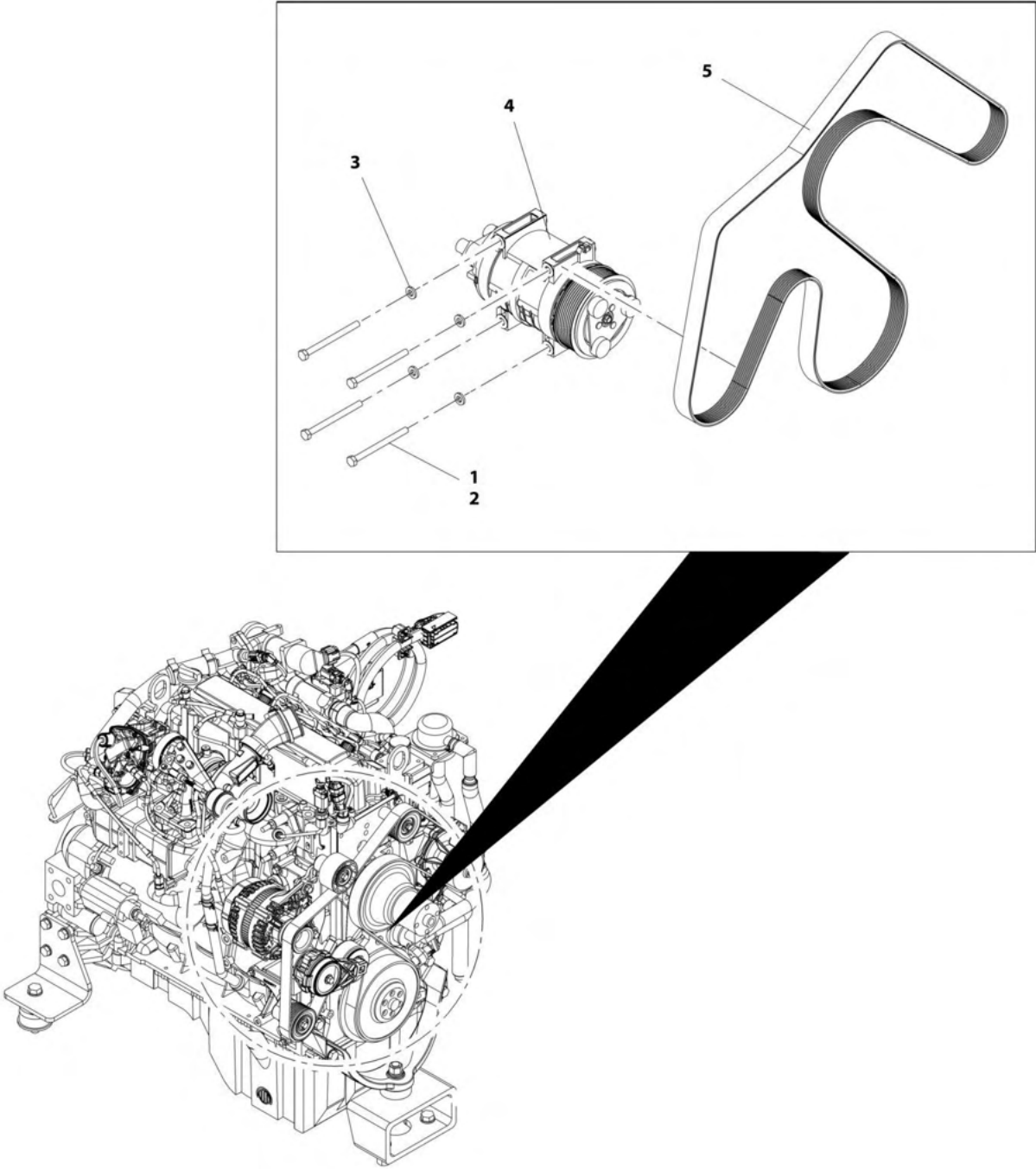
SECTION 4 - ENGINE AND ATTACHING PARTS

FIGURE 4-32. A/C COMPONENTS INSTALLATION (74HP)

ITEM	PART NUMBER	QTY	DESCRIPTION	REV
	1001190295	Ref	A/C Components Installation (if equipped for LS)	B
1	0100011	AR	Compound, Locking	
2	0700827	4	Bolt, M8X100	
6	5240800	4	Washer, M8	
8	1001157663	1	Compressor, A/C	
10	1001167357	1	Belt	
11	1001197233	1	Bracket, AC Hose Support	
12	0711214	2	Bolt, M12X30	
13	4812100	2	Washer, M12	

SECTION 4 - ENGINE AND ATTACHING PARTS

FIGURE 4-33. A/C COMPONENTS INSTALLATION (130HP)



ART_1001166008_A

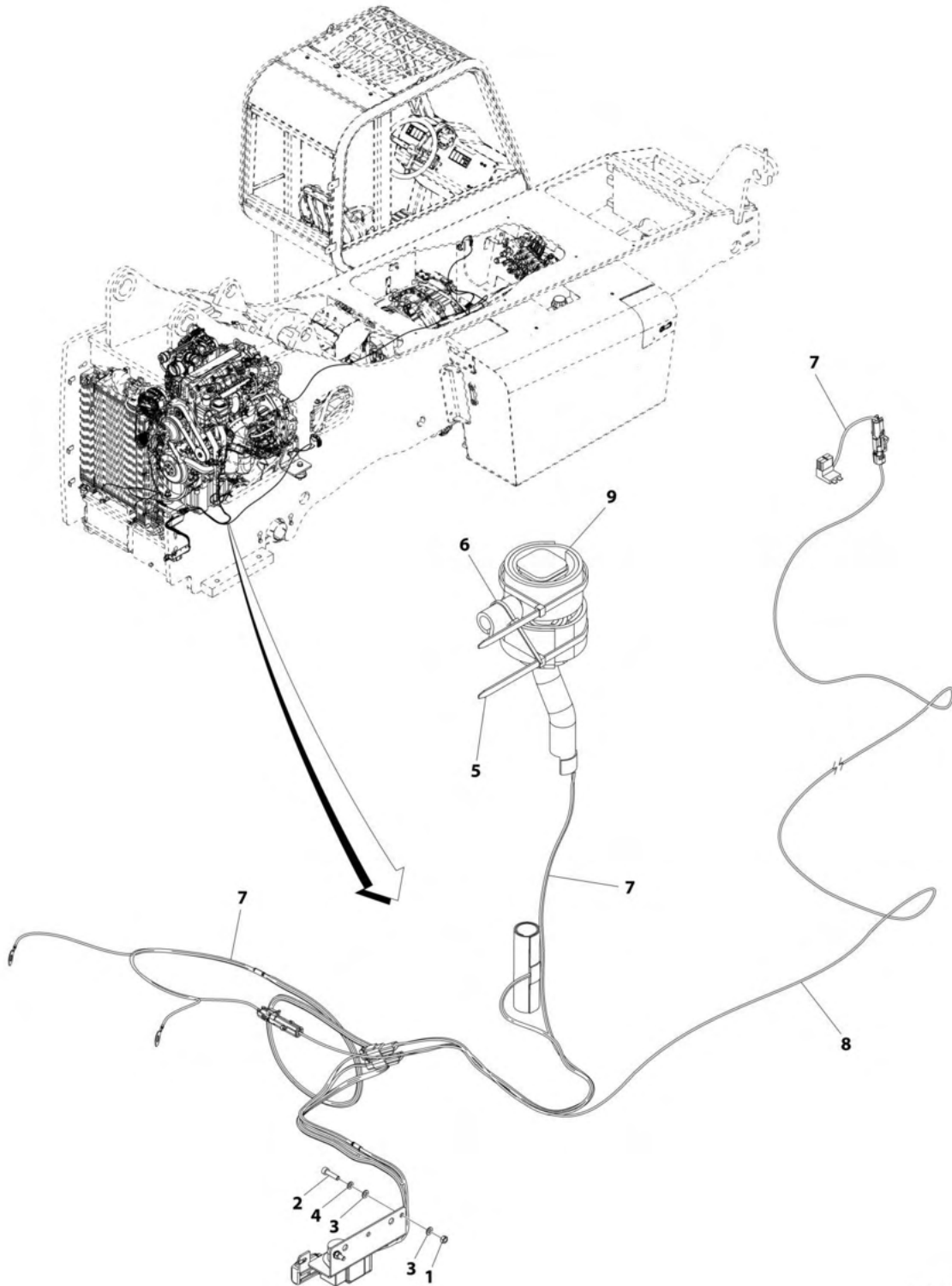
SECTION 4 - ENGINE AND ATTACHING PARTS

FIGURE 4-33. A/C COMPONENTS INSTALLATION (130HP)

ITEM	PART NUMBER	QTY	DESCRIPTION	REV
	1001166008	Ref	A/C Components Installation	A
1	0100011	AR	Compound, Locking	
2	0700827	4	Bolt, M8X100	
3	5240800	4	Washer, M8	
4	1001157663	1	Compressor, A/C	
5	1001167357	1	Belt	

SECTION 4 - ENGINE AND ATTACHING PARTS

FIGURE 4-34. HEATER BREATHER



ART_1001232750-A

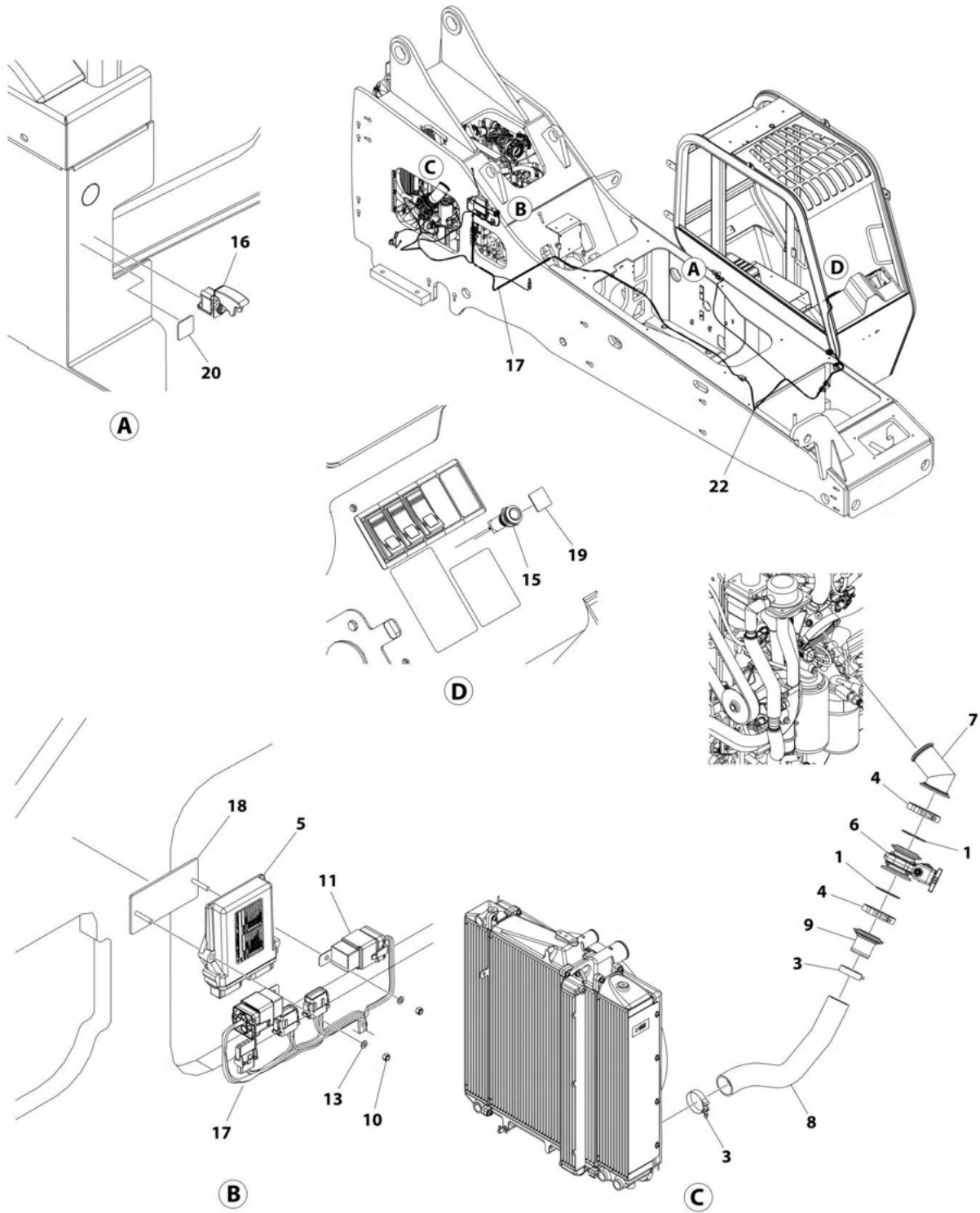
SECTION 4 - ENGINE AND ATTACHING PARTS

FIGURE 4-34. HEATER BREATHER

ITEM	PART NUMBER	QTY	DESCRIPTION	REV
	1001232750	Ref	Heater Breather - 74 HP	A
1	3290501	2	Nut, M5X0.8	
2	4031608	2	Screw, M5X20	
3	4811600	4	Washer, M5	
4	4831600	2	Washer, Lock M5	
5	01043892	2	Strap, Tie	
6	86683122	1	Strap, Tie	
7	1001232439	1	Engine, Cummins Breather Kit	
8	1001232599	1	Harness, Cummins Breather Heater	
9	1001232624	1	Insulate, Cummins Insulation	

SECTION 4 - ENGINE AND ATTACHING PARTS

FIGURE 4-35. AIR INTAKE SHUT OFF VALVE INSTALLATION



ART_1001202304_F

SECTION 4 - ENGINE AND ATTACHING PARTS

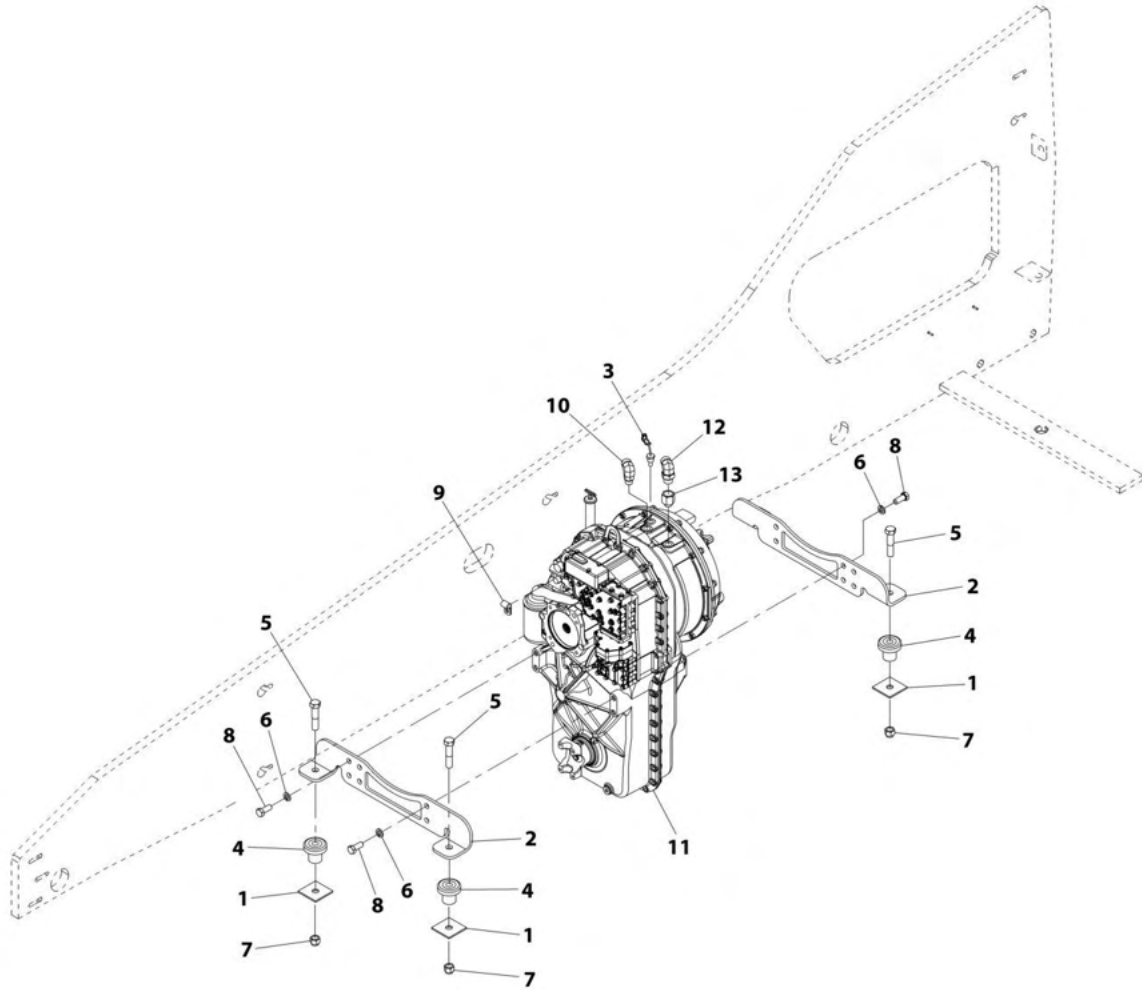
FIGURE 4-35. AIR INTAKE SHUT OFF VALVE INSTALLATION

ITEM	PART NUMBER	QTY	DESCRIPTION	REV
	1001202304	Ref	Air Intake Shut Off Valve Installation	F
1	3790152	2	Ring	
3	8405212	2	Clamp	
4	1001202247	2	Clamp	
5	1001203181	1	Accessory, Control	
6	1001204032	1	Valve, Air Shut Off (See Separate Breakdown in HYDRAULIC COMPONENTS Section)	
7	1001206956	1	Pipe	
8	1001206983	1	Hose	
9	1001206985	1	Adapter	
10	3290505	2	Nut M5 Grade 8	
11	3740080	2	Relay	
13	4811600	2	Washer, M5	
14	91053419	AR	Strap, Cable (not shown)	
15	1001239539	1	Lamp	
16	1001215941	1	Switch	
17	1001216455	1	Harness, POSI Air Shut Off Valve T4F (See Separate Breakdown in ELECTRICAL Section)	
18	1001219082	1	Bracket	
19	1001227077	1	Decal, Air Shut Off	
20	1001227964	1	Decal, ASOV Test	
22	1001231560	1	Harness, POSI Air Shut Off Valve Cab (See Separate Breakdown in ELECTRICAL Section)	

SECTION 5 - DRIVE TRAIN

SECTION 5 - DRIVE TRAIN

FIGURE 5-1. TRANSMISSION INSTALLATION



ART_1001108524-B

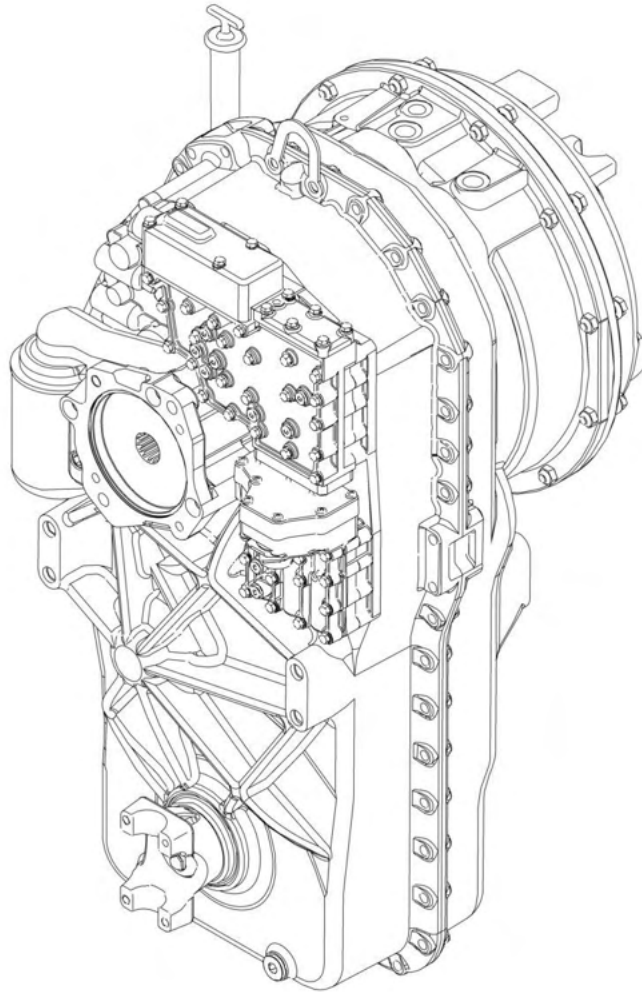
SECTION 5 - DRIVE TRAIN

FIGURE 5-1. TRANSMISSION INSTALLATION

ITEM	PART NUMBER	QTY	DESCRIPTION	REV
	1001108524	Ref	Transmission Installation	B
1	7054351	4	Washer, Rebound	
2	7138634	2	Bracket, Transmission Mount	
3	8223232	1	Switch, Transmission Temperature	
4	91403097	4	Mount, Rubber	
5	8303724	4	Bolt, 3/4-10X3-1/2	
6	8307049	8	Washer, Lock M16	
7	8310067	4	Nut, Lock 3/4-10	
8	8310215	8	Bolt, M16X40	
9	8406105	1	Clip, Tube	
10	2131210	1	Adapter, 90	
11	8841036	1	Transmission, 4-Speed (See Separate Breakdown in this Section)	
12	2131212	1	Adapter, 90	
13	8760548	1	Adapter, Straight	

SECTION 5 - DRIVE TRAIN

FIGURE 5-2. TRANSMISSION, 4-SPEED



ART_8841036_1-C

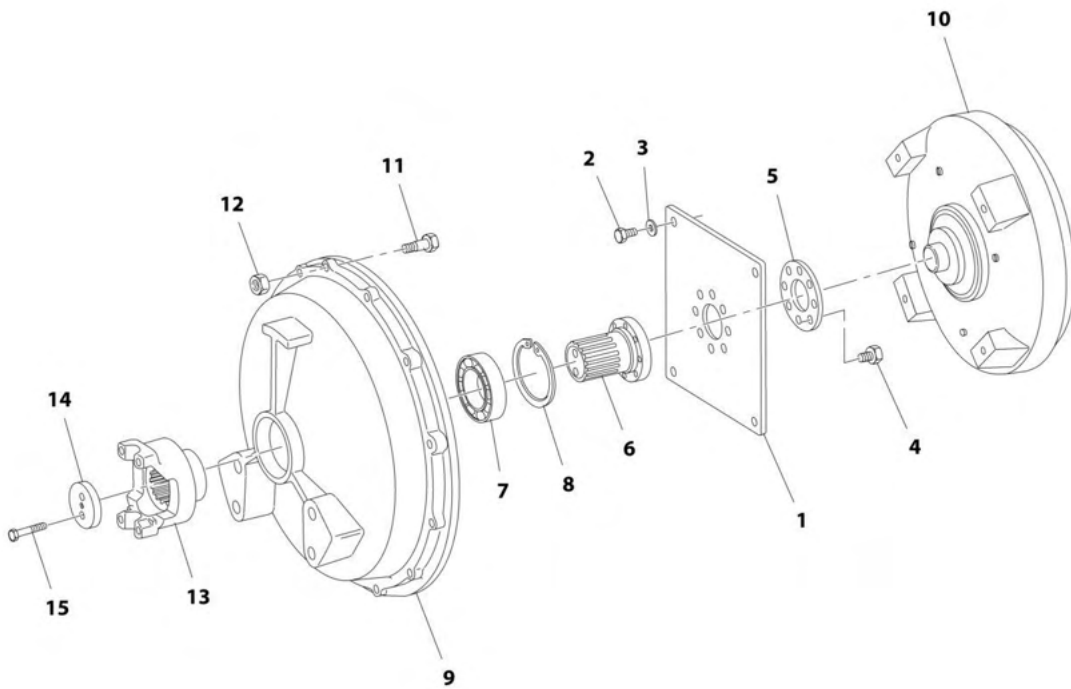
SECTION 5 - DRIVE TRAIN

FIGURE 5-2. TRANSMISSION, 4-SPEED

ITEM	PART NUMBER	QTY	DESCRIPTION	REV
	8841036	Ref	Transmission, 4-Speed	C
		Ref	Transmission, Engine Connection and Converter (See Separate Breakdown in this Section)	
		Ref	Transmission, Input Shafts (See Separate Breakdown in this Section)	
		Ref	Transmission, Gearbox Housing (See Separate Breakdown in this Section)	
		Ref	Transmission, Coupling Group 1 (See Separate Breakdown in this Section)	
		Ref	Transmission, Coupling Group 2 (See Separate Breakdown in this Section)	
		Ref	Transmission, Coupling Group 3 (See Separate Breakdown in this Section)	
		Ref	Transmission, Coupling Group 4 (See Separate Breakdown in this Section)	
		Ref	Transmission, Reversing Gear Group 1 (See Separate Breakdown in this Section)	
		Ref	Transmission, Reversing Gear Group 2 (See Separate Breakdown in this Section)	
		Ref	Transmission, Output (See Separate Breakdown in this Section)	
		Ref	Transmission, Control Unit (See Separate Breakdown in this Section)	
		Ref	Transmission, Valve Housing Assembly (See Separate Breakdown in this Section)	
		Ref	Transmission, Valve Block Assembly (See Separate Breakdown in this Section)	
		Ref	Transmission, Oil Pump and Filter (See Separate Breakdown in this Section)	

SECTION 5 - DRIVE TRAIN

FIGURE 5-3. TRANSMISSION, ENGINE CONNECTION AND CONVERTER



ART_8841036_2-C

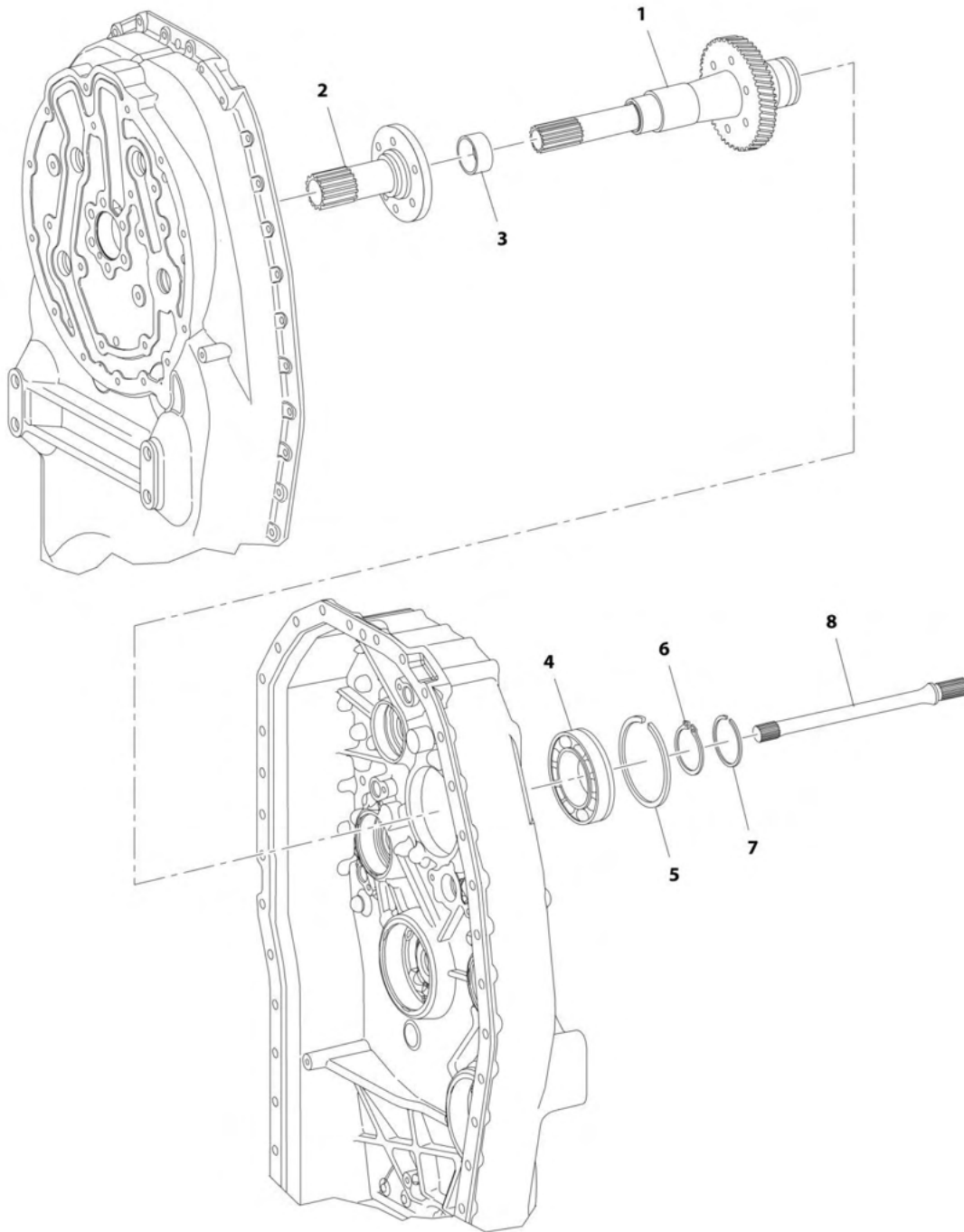
SECTION 5 - DRIVE TRAIN

FIGURE 5-3. TRANSMISSION, ENGINE CONNECTION AND CONVERTER

ITEM	PART NUMBER	QTY	DESCRIPTION	REV
1	1319203	1	Diaphragm	
2	1319204	4	Bolt, M10X18	
3	10732095	4	Washer	
4	10731702	8	Bolt, M10X16	
5	1319213	1	Washer	
6	70023482	1	Shaft, Input	
7	1319209	1	Bearing, Ball	
8	1319210	1	Ring, Retaining	
9	8036021	1	Cover	
10	8036022	1	Converter	
11	10731748	12	Bolt, M10X45	
12	10731751	12	Nut, M10	
13	1319211	1	Yoke, End	
14	1319205	1	Washer	
15	70023483	2	Bolt	

SECTION 5 - DRIVE TRAIN

FIGURE 5-4. TRANSMISSION, INPUT SHAFTS



ART_8841036_3-C

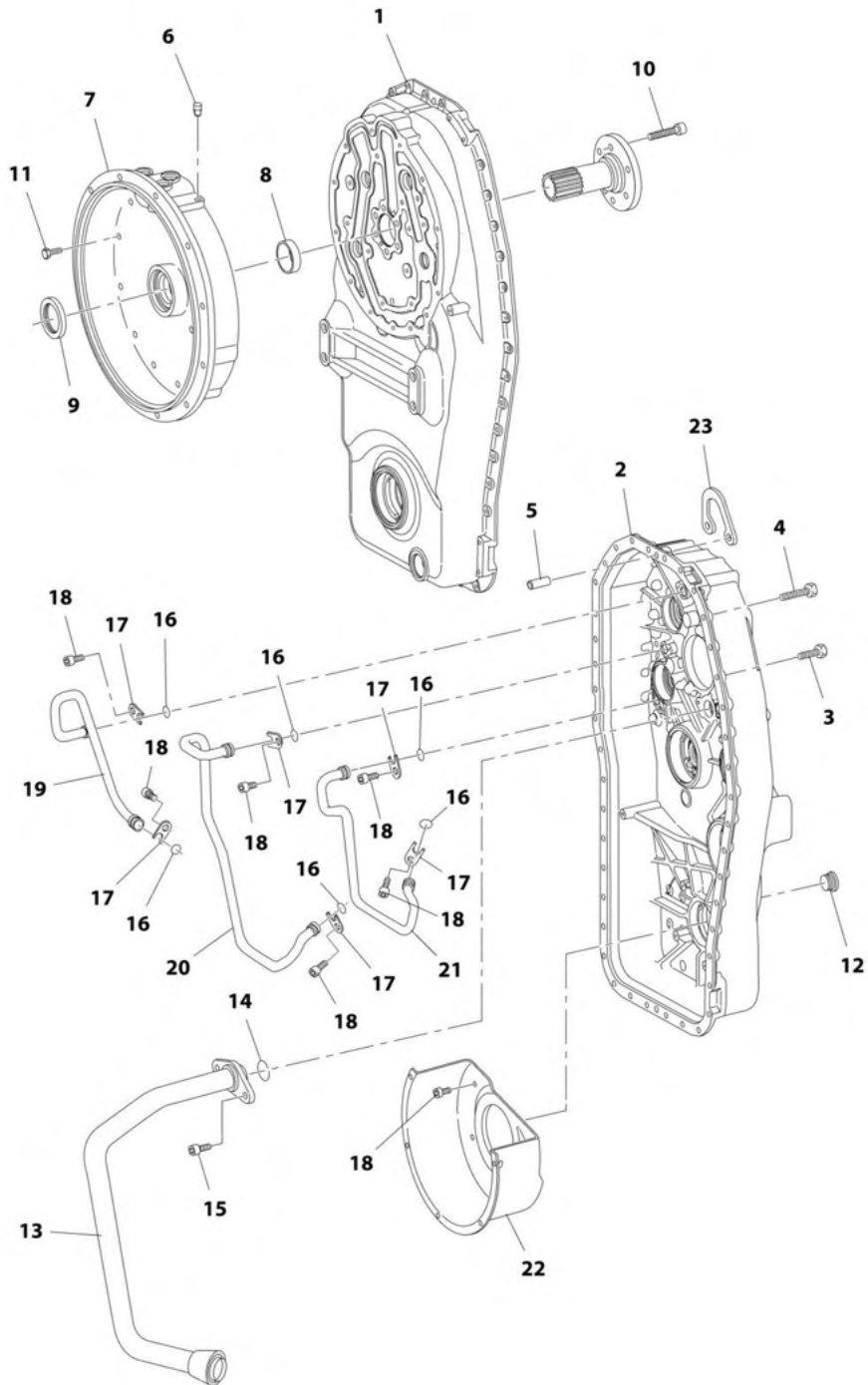
SECTION 5 - DRIVE TRAIN

FIGURE 5-4. TRANSMISSION, INPUT SHAFTS

ITEM	PART NUMBER	QTY	DESCRIPTION	REV
1	8036023	1	Shaft, Turbine	
2	1319557	1	Shaft, Stator	
3	1319558	1	Bushing, Bearing	
4	1319563	1	Bearing, Ball	
5	10731913	1	Ring, Snap	
6	80304405	1	Ring, Retaining	
7	1319565	1	Ring, Piston	
8	1319566	1	Shaft, Central	

SECTION 5 - DRIVE TRAIN

FIGURE 5-5. TRANSMISSION, GEARBOX HOUSING



ART_8841036_4-C

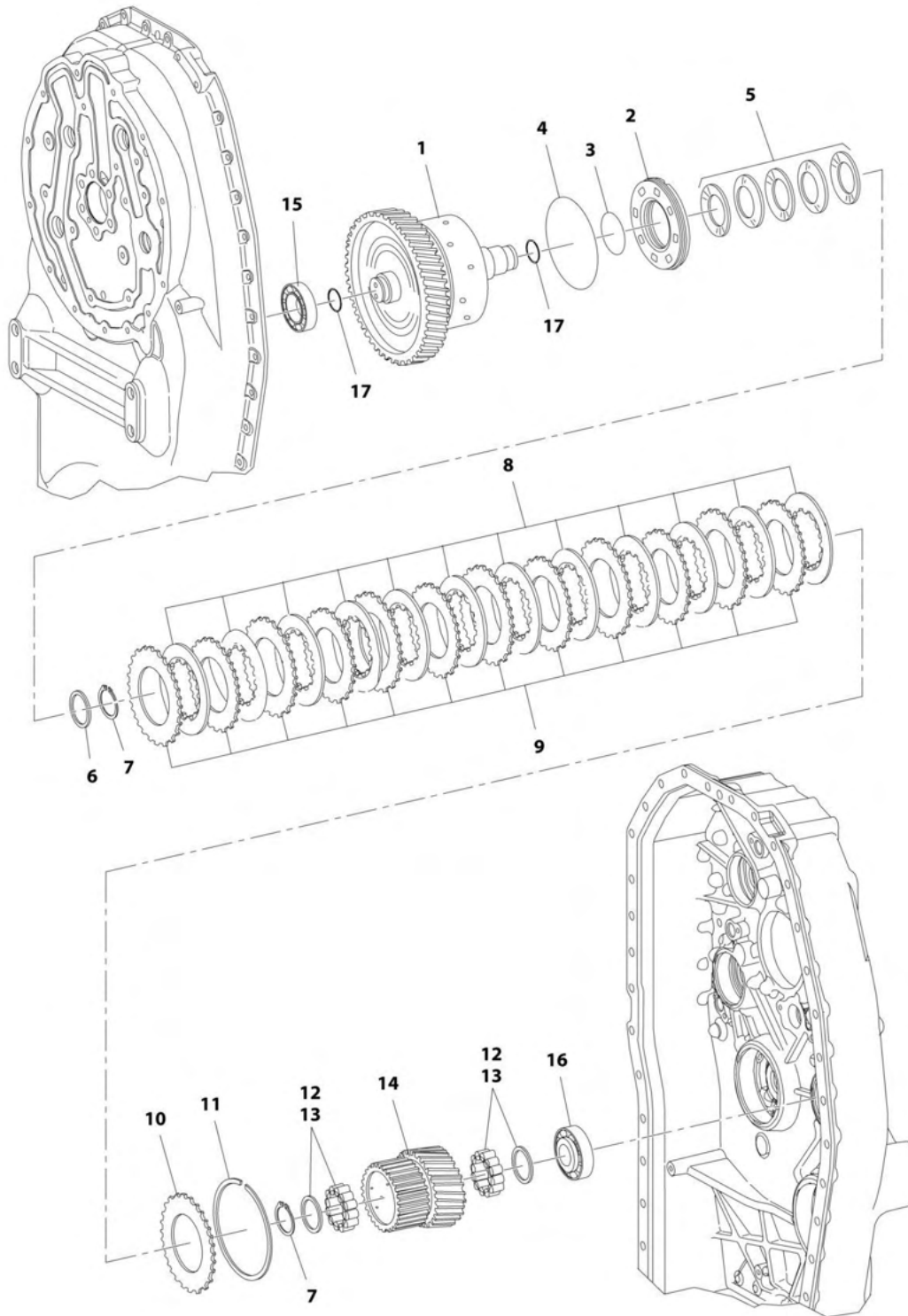
SECTION 5 - DRIVE TRAIN

FIGURE 5-5. TRANSMISSION, GEARBOX HOUSING

ITEM	PART NUMBER	QTY	DESCRIPTION	REV
1	8036024	1	Housing I	
2	8036025	1	Housing II	
3	1319569	36	Bolt, M10X30	
4	1319570	6	Bolt, M10X50	
5	1319571	2	Pin, Cylindrical M6X24	
6	10731744	1	Breather	
7	1319574	1	Bell, Converter	
8	1319575	1	Bushing, Bearing	
9	1319576	1	Seal, Shaft	
10	1319577	6	Screw, M10X50	
11	1319569	23	Bolt, M10X30	
12	70023404	1	Plug, Screw	
13	8036026	1	Pipe, Oil Suction	
14	70023885	1	O-Ring	
15	1319582	2	Screw, M8X20	
16	1319583	6	O-Ring	
17	1319584	6	Plate, Fixing	
18	1319585	11	Screw, M8X16	
19	1319586	1	Pipe	
20	1319587	1	Pipe	
21	8036027	1	Pipe	
22	8036028	1	Sheet, Screen	
23	1319590	1	Bracket	

SECTION 5 - DRIVE TRAIN

FIGURE 5-6. TRANSMISSION, COUPLING GROUP 1



ART_8841036_5-C

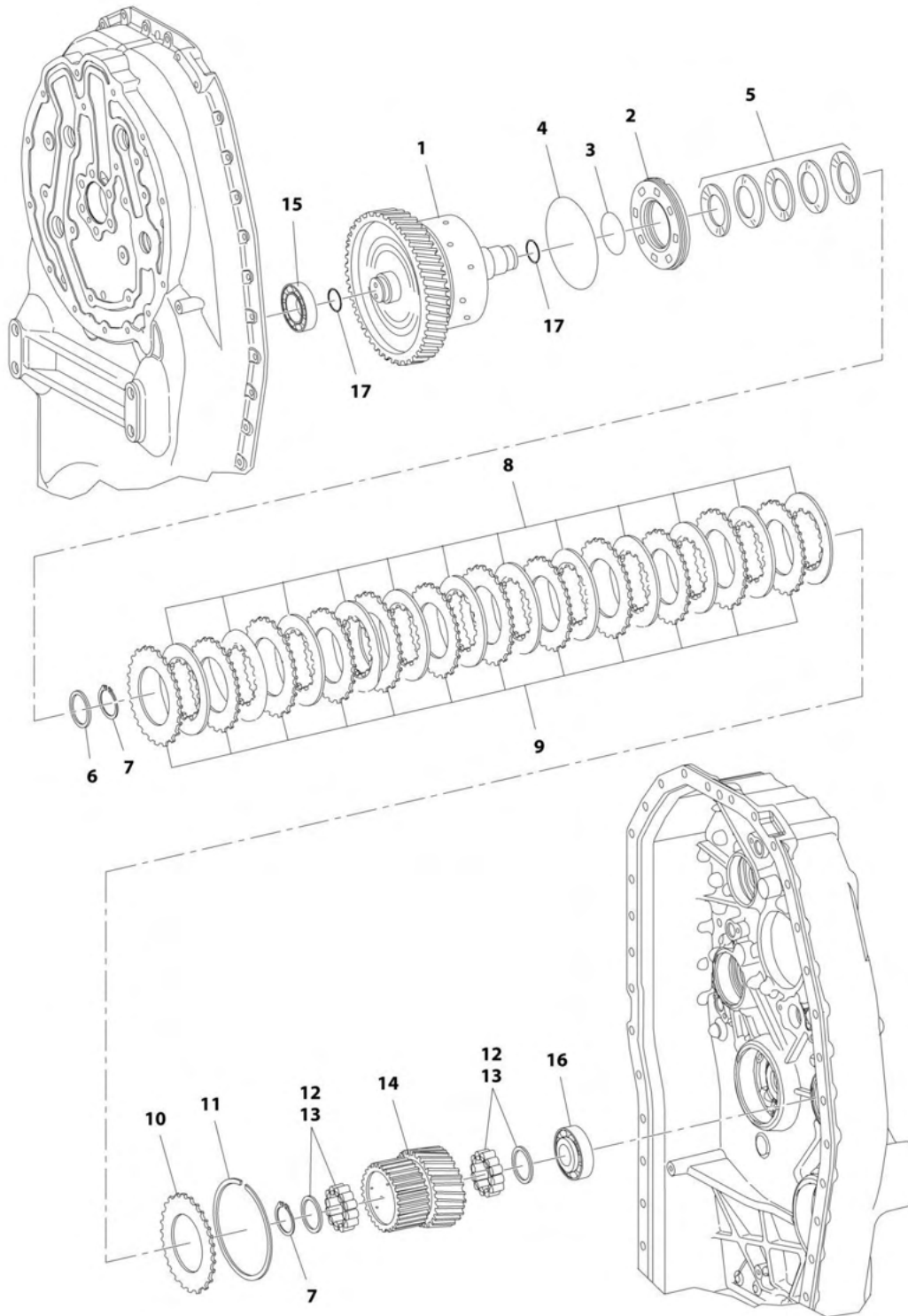
SECTION 5 - DRIVE TRAIN

FIGURE 5-6. TRANSMISSION, COUPLING GROUP 1

ITEM	PART NUMBER	QTY	DESCRIPTION	REV
1	1319591	1	Coupling	
2	1319592	1	Piston	
3	1319593	1	O-Ring, 52X3	
4	1319594	1	O-Ring, 115X3	
5	1319595	5	Spring, Cup	
6	1319596	1	Shim	
7	10731845	2	Ring, Retaining	
8	7026758	12	Disc, Inner Clutch	
9	7026759	12	Disc, Outer Clutch	
10	7026760	1	Shim, End	
11	1319600	1	Ring, Snap 4	
11	1319601	1	Ring, Snap 3-1/2	
11	1319602	1	Ring, Snap 3	
11	1319603	1	Ring, Snap 2-1/2	
11	1319604	1	Ring, Snap 2	
12	1319605	2	Cage, Roller	
13	1319606	2	Cage, Roller	
14	1319607	1	Carrier, Disc	
15	1319608	1	Bearing, Roller	
16	1319609	1	Bearing, Roller	
16	1319610	1	Bearing, Roller	
16	1319611	1	Bearing, Roller	
17	1319612	2	Ring, Piston 30X2	

SECTION 5 - DRIVE TRAIN

FIGURE 5-7. TRANSMISSION, COUPLING GROUP 2



ART_8841036_6-C

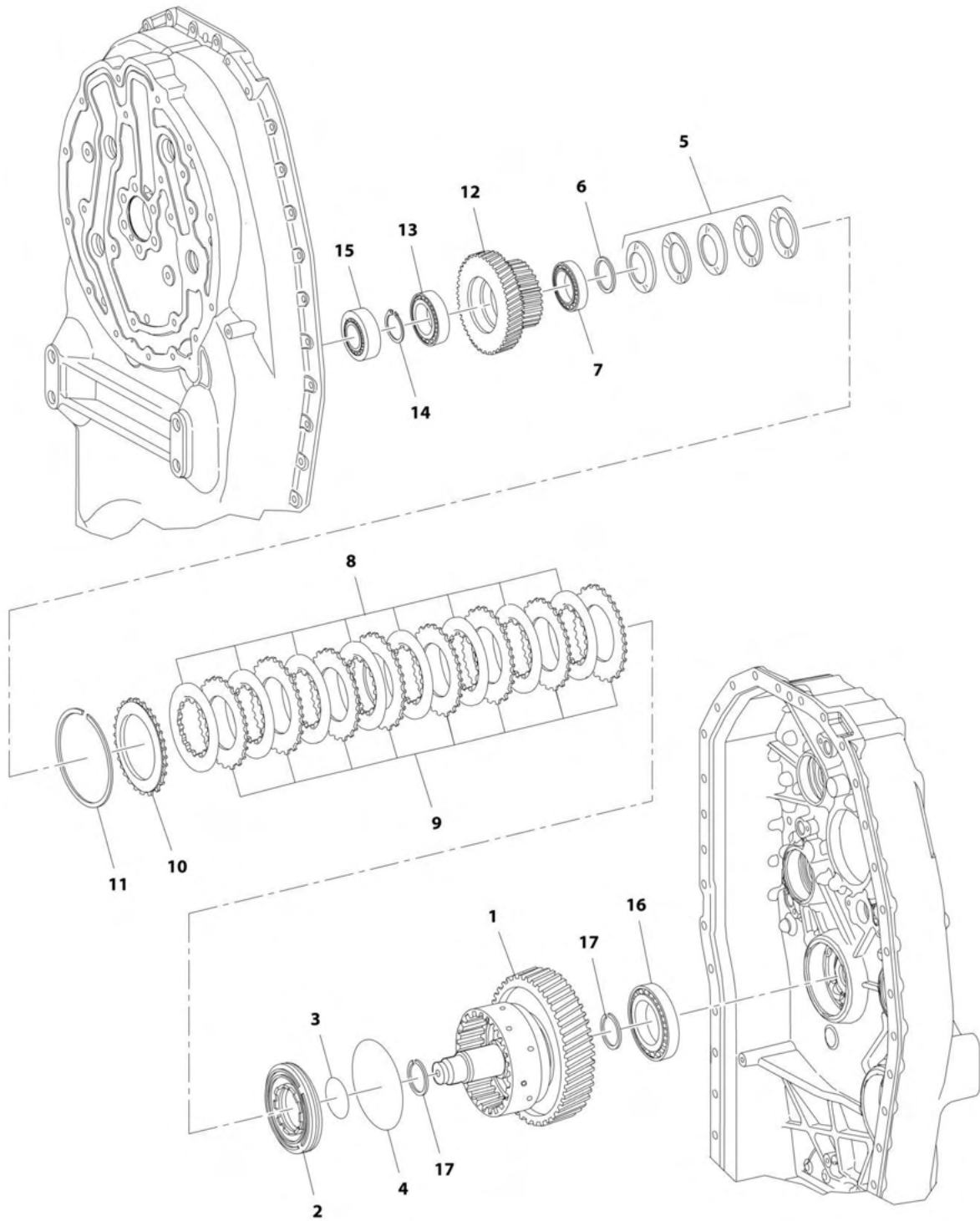
SECTION 5 - DRIVE TRAIN

FIGURE 5-7. TRANSMISSION, COUPLING GROUP 2

ITEM	PART NUMBER	QTY	DESCRIPTION	REV
1	1319613	1	Coupling	
2	8036029	1	Piston	
3	1319593	1	O-Ring, 52X3	
4	1319594	1	O-Ring, 115X3	
5	1319595	5	Spring, Cup	
6	1319596	1	Shim	
7	10731845	2	Ring, Retaining	
8	7026758	8	Disc, Inner Clutch	
9	7026759	8	Disc, Outer Clutch	
10	7026760	1	Shim, End	
11	1319600	1	Ring, Snap 4	
11	1319601	1	Ring, Snap 3-1/2	
11	1319602	1	Ring, Snap 3	
11	1319603	1	Ring, Snap 2-1/2	
11	1319604	1	Ring, Snap 2	
12	1319605	2	Cage, Roller	
13	1319606	2	Cage, Roller	
14	1319614	1	Carrier, Disc	
15	1319615	1	Bearing, Roller	
16	8036190	1	Assembly, Roller Bearing	
16	7029532	1	Ring, Outer	
16	7029533	1	Ring, Inner	
17	1319612	2	Ring, Piston 30X2	

SECTION 5 - DRIVE TRAIN

FIGURE 5-8. TRANSMISSION, COUPLING GROUP 3



ART_8841036_7-C

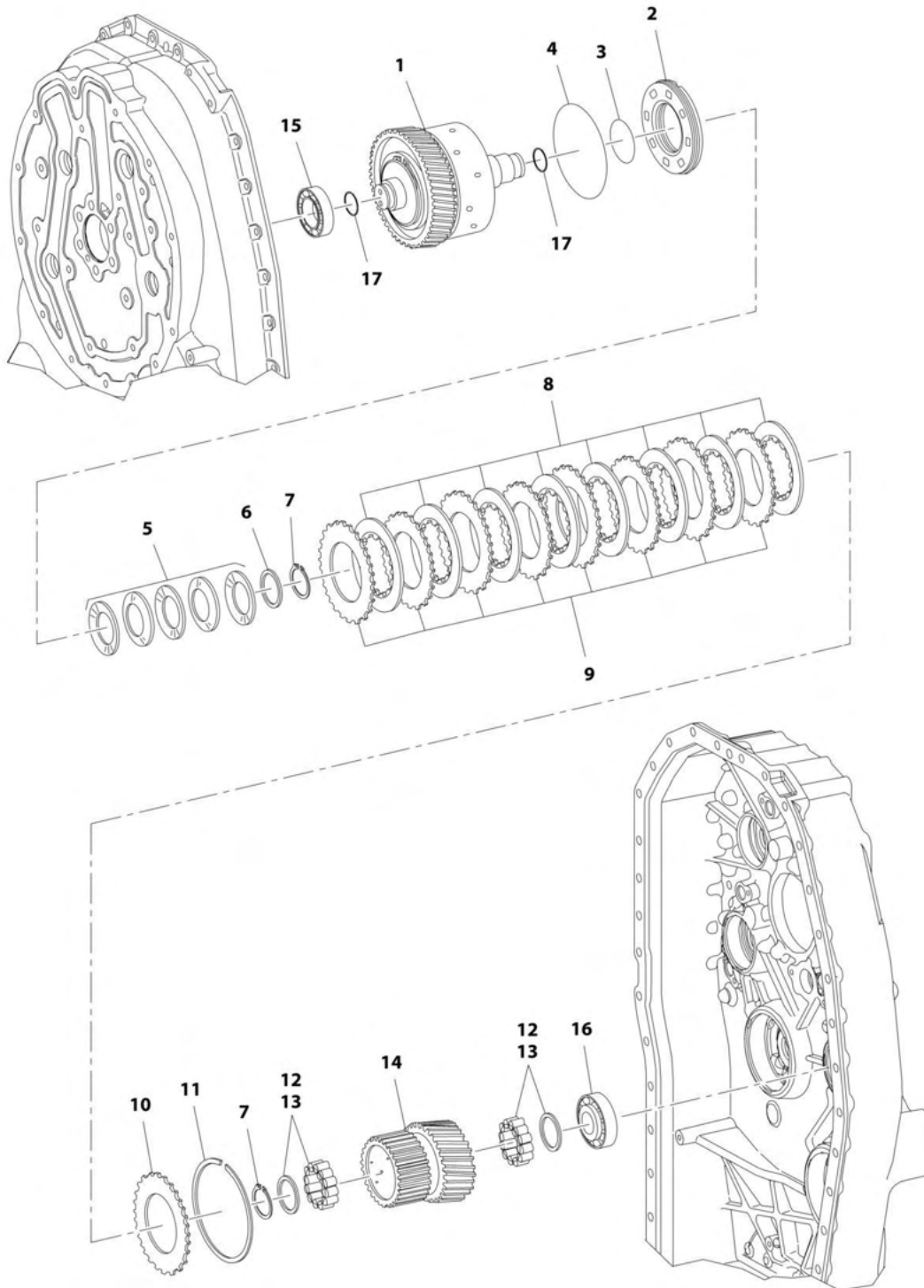
SECTION 5 - DRIVE TRAIN

FIGURE 5-8. TRANSMISSION, COUPLING GROUP 3

ITEM	PART NUMBER	QTY	DESCRIPTION	REV
1	1319616	1	Coupling	
2	8036029	1	Piston	
3	1319593	1	O-Ring, 52X3	
4	1319594	1	O-Ring, 115X3	
5	1319595	5	Spring, Cup	
6	1319617	1	Shim, Support	
7	1319618	1	Bearing, Roller	
8	7026758	8	Disc, Inner Clutch	
9	7026759	8	Disc, Outer Clutch	
10	7026760	1	Shim, End	
11	1319600	1	Ring, Snap 4	
11	1319601	1	Ring, Snap 3-1/2	
11	1319602	1	Ring, Snap 3	
11	1319603	1	Ring, Snap 2-1/2	
11	1319604	1	Ring, Snap 2	
12	1319619	1	Carrier, Disc	
13	1319620	1	Bearing, Roller	
14	1319621	1	Ring, Retaining 3.2	
14	1319622	1	Ring, Retaining 3.1	
14	1319623	1	Ring, Retaining 3	
14	1319624	1	Ring, Retaining 2.9	
14	1319625	1	Ring, Retaining 2.8	
14	1319626	1	Ring, Retaining 2.7	
14	1319627	1	Ring, Retaining 2.6	
14	1319628	1	Ring, Retaining 2.5	
14	1319629	1	Ring, Retaining 2.4	
14	1319630	1	Ring, Retaining 2.3	
14	1319631	1	Ring, Retaining 2.2	
14	1319632	1	Ring, Retaining 2.1	
15	8036190	1	Assembly, Roller Bearing	
15	7029532	1	Ring, Outer	
15	7029533	1	Ring, Inner	
16	1319633	1	Bearing, Roller	
17	1319612	2	Ring, Piston 30X2	

SECTION 5 - DRIVE TRAIN

FIGURE 5-9. TRANSMISSION, COUPLING GROUP 4



ART_8841036_8-C

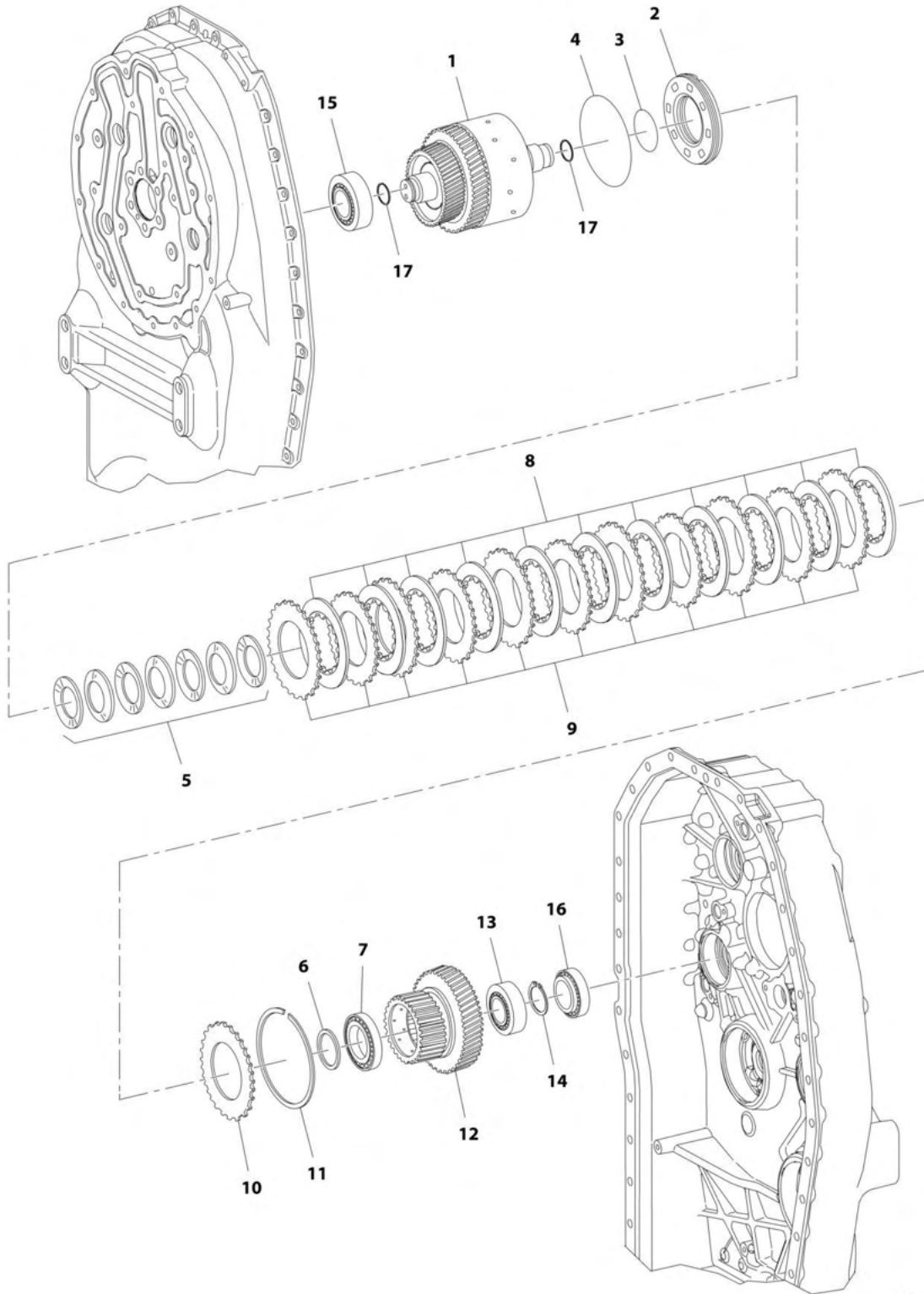
SECTION 5 - DRIVE TRAIN

FIGURE 5-9. TRANSMISSION, COUPLING GROUP 4

ITEM	PART NUMBER	QTY	DESCRIPTION	REV
1	1319634	1	Coupling	
2	8036029	1	Piston	
3	1319593	1	O-Ring, 52X3	
4	1319594	1	O-Ring, 115X3	
5	1319595	5	Spring, Cup	
6	1319596	1	Shim	
7	10731845	2	Ring, Retaining	
8	7026758	8	Disc, Inner Clutch	
9	7026759	8	Disc, Outer Clutch	
10	7026760	1	Shim, End	
11	1319600	1	Ring, Snap 4	
11	1319601	1	Ring, Snap 3-1/2	
11	1319602	1	Ring, Snap 3	
11	1319603	1	Ring, Snap 2-1/2	
11	1319604	1	Ring, Snap 2	
12	1319605	2	Cage, Roller	
13	1319606	2	Cage, Roller	
14	1319635	1	Carrier, Disc	
15	1319615	1	Bearing, Roller	
16	1319636	1	Bearing, Roller	
17	1319612	2	Ring, Piston 30X2	

SECTION 5 - DRIVE TRAIN

FIGURE 5-10. TRANSMISSION, REVERSING GEAR GROUP 1



ART_8841036_9-C

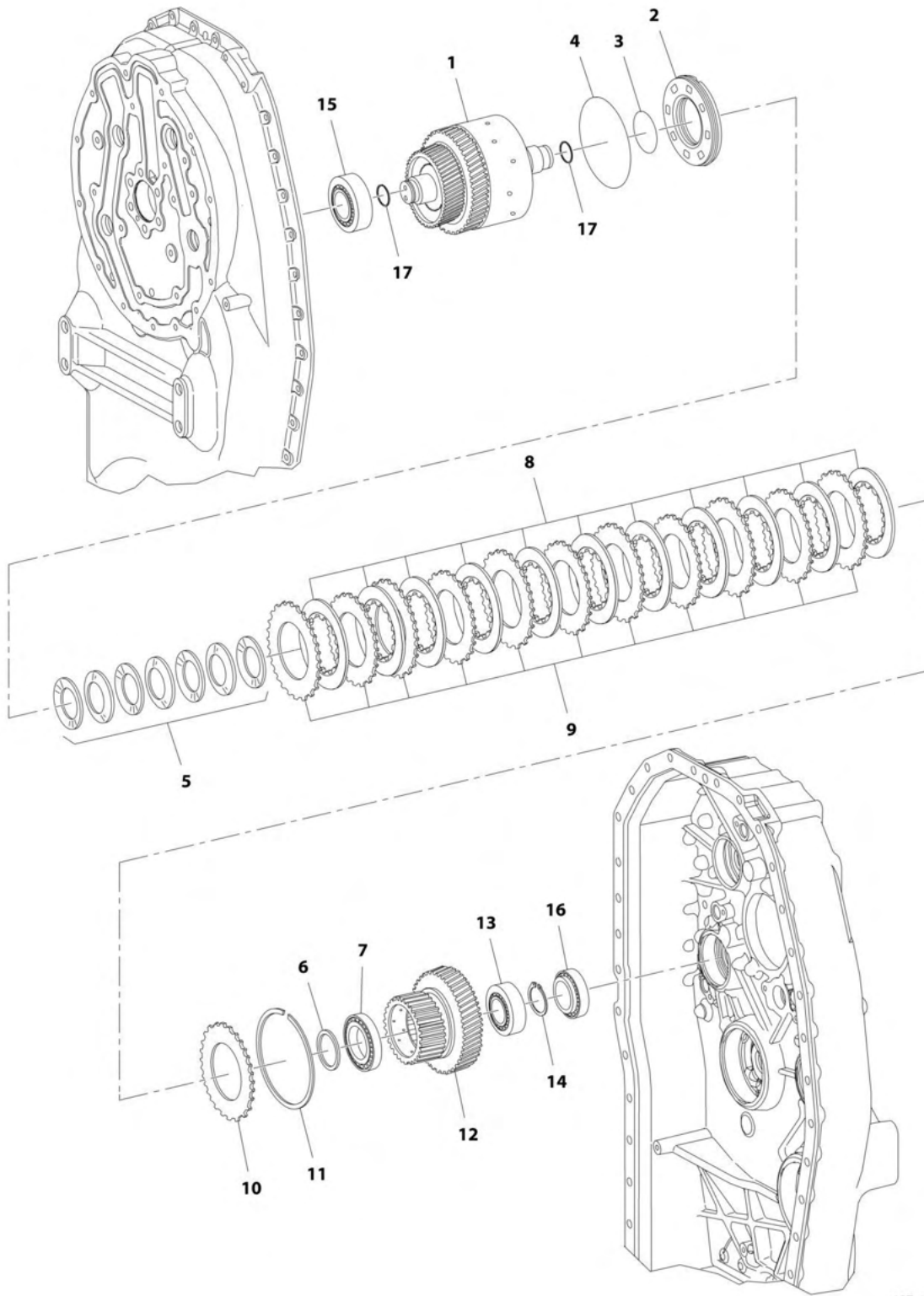
SECTION 5 - DRIVE TRAIN

FIGURE 5-10. TRANSMISSION, REVERSING GEAR GROUP 1

ITEM	PART NUMBER	QTY	DESCRIPTION	REV
1	1319637	1	Coupling	
2	8036029	1	Piston	
3	1319593	1	O-Ring, 52X3	
4	1319594	1	O-Ring, 115X3	
5	1319595	7	Spring, Cup	
6	1319617	1	Shim, Support	
7	1319618	1	Bearing, Roller	
8	7026758	11	Disc, Inner Clutch	
9	7026759	11	Disc, Outer Clutch	
10	7026760	1	Shim, End	
11	1319600	1	Ring, Snap 4	
11	1319601	1	Ring, Snap 3-1/2	
11	1319602	1	Ring, Snap 3	
11	1319603	1	Ring, Snap 2-1/2	
11	1319604	1	Ring, Snap 2	
12	1319638	1	Disc, Carrier	
13	1319620	1	Bearing, Roller	
14	1319621	1	Ring, Retaining 3.2	
14	1319622	1	Ring, Retaining 3.1	
14	1319623	1	Ring, Retaining 3	
14	1319624	1	Ring, Retaining 2.9	
14	1319625	1	Ring, Retaining 2.8	
14	1319626	1	Ring, Retaining 2.7	
14	1319627	1	Ring, Retaining 2.6	
14	1319628	1	Ring, Retaining 2.5	
14	1319629	1	Ring, Retaining 2.4	
14	1319630	1	Ring, Retaining 2.3	
14	1319631	1	Ring, Retaining 2.2	
14	1319632	1	Ring, Retaining 2.1	
15	1319615	1	Bearing, Roller	
16	1319636	1	Bearing, Roller	
17	1319612	2	Ring, Piston 30X2	

SECTION 5 - DRIVE TRAIN

FIGURE 5-11. TRANSMISSION, REVERSING GEAR GROUP 2



ART_8841036_10-C

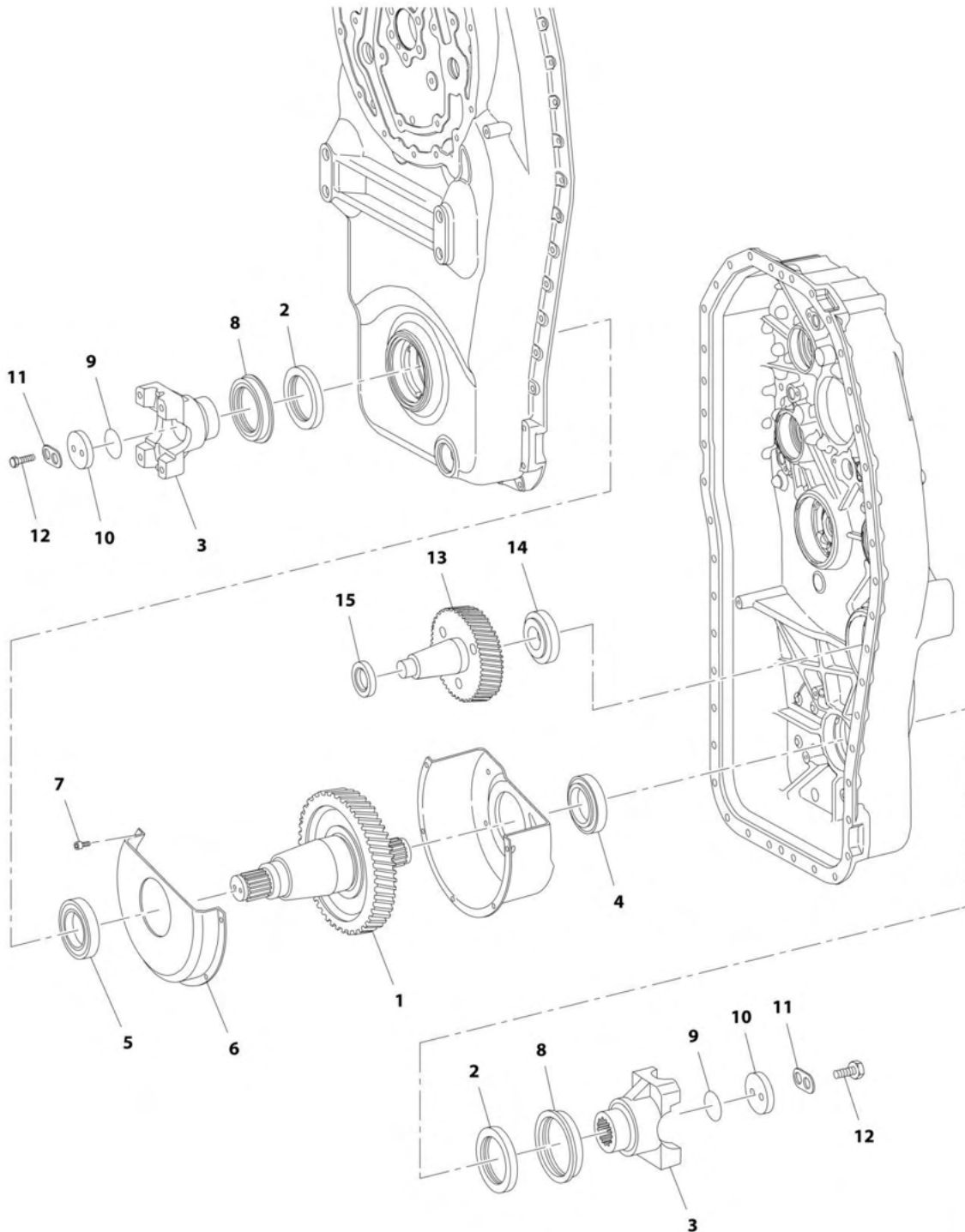
SECTION 5 - DRIVE TRAIN

FIGURE 5-11. TRANSMISSION, REVERSING GEAR GROUP 2

ITEM	PART NUMBER	QTY	DESCRIPTION	REV
1	1319639	1	Coupling	
2	8036029	1	Piston	
3	1319593	1	O-Ring, 52X3	
4	1319594	1	O-Ring, 115X3	
5	1319595	7	Spring, Cup	
6	1319617	1	Shim, Support	
7	1319618	1	Bearing, Roller	
8	7026758	11	Disc, Inner Clutch	
9	7026759	11	Disc, Outer Clutch	
10	7026760	1	Shim, End	
11	1319600	1	Ring, Snap 4	
11	1319601	1	Ring, Snap 3-1/2	
11	1319602	1	Ring, Snap 3	
11	1319603	1	Ring, Snap 2-1/2	
11	1319604	1	Ring, Snap 2	
12	1319638	1	Disc, Carrier	
13	1319620	1	Bearing, Roller	
14	1319621	1	Ring, Retaining 3.2	
14	1319622	1	Ring, Retaining 3.1	
14	1319623	1	Ring, Retaining 3	
14	1319624	1	Ring, Retaining 2.9	
14	1319625	1	Ring, Retaining 2.8	
14	1319626	1	Ring, Retaining 2.7	
14	1319627	1	Ring, Retaining 2.6	
14	1319628	1	Ring, Retaining 2.5	
14	1319629	1	Ring, Retaining 2.4	
14	1319630	1	Ring, Retaining 2.3	
14	1319631	1	Ring, Retaining 2.2	
14	1319632	1	Ring, Retaining 2.1	
15	1319608	1	Bearing, Roller	
16	1319636	1	Bearing, Roller	
17	1319612	2	Ring, Piston 30X2	

SECTION 5 - DRIVE TRAIN

FIGURE 5-12. TRANSMISSION, OUTPUT



ART_8841036_11-C

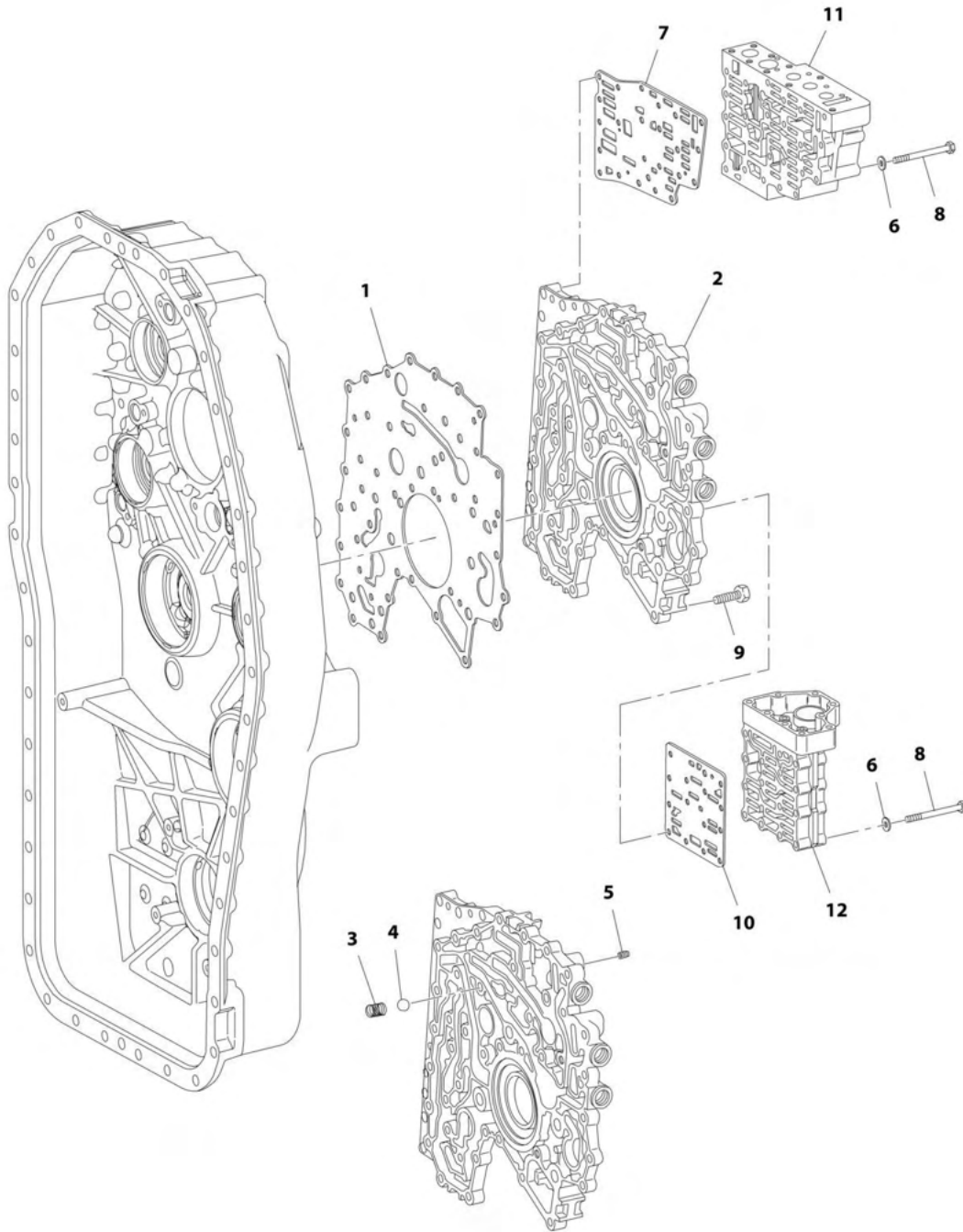
SECTION 5 - DRIVE TRAIN

FIGURE 5-12. TRANSMISSION, OUTPUT

ITEM	PART NUMBER	QTY	DESCRIPTION	REV
1	8036030	1	Shaft, Output	
2	1319641	2	Seal, Shaft	
3	7027273	2	Flange, Output	
4	N.S.S.	1	Assembly, Roller Bearing	
4	70020430	1	Cup, Bearing	
4	70020431	1	Cone, Bearing	
5	1319643	1	Bearing, Roller	
6	8036031	1	Sheet, Screen	
7	1319646	5	Bolt, M6X10	
8	1319647	2	Sheet, Screen	
9	10839156	2	O-Ring	
10	1319648	2	Washer, M10	
11	1319649	2	Washer, Tab	
12	10731959	4	Bolt, M8X25	
13	8036032	1	Shaft, Intermediate	
14	1319633	1	Bearing, Roller	
15	8036190	1	Assembly, Roller Bearing	
15	7029532	1	Ring, Outer	
15	7029533	1	Ring, Inner	

SECTION 5 - DRIVE TRAIN

FIGURE 5-13. TRANSMISSION, CONTROL UNIT



ART_8841036_12-C

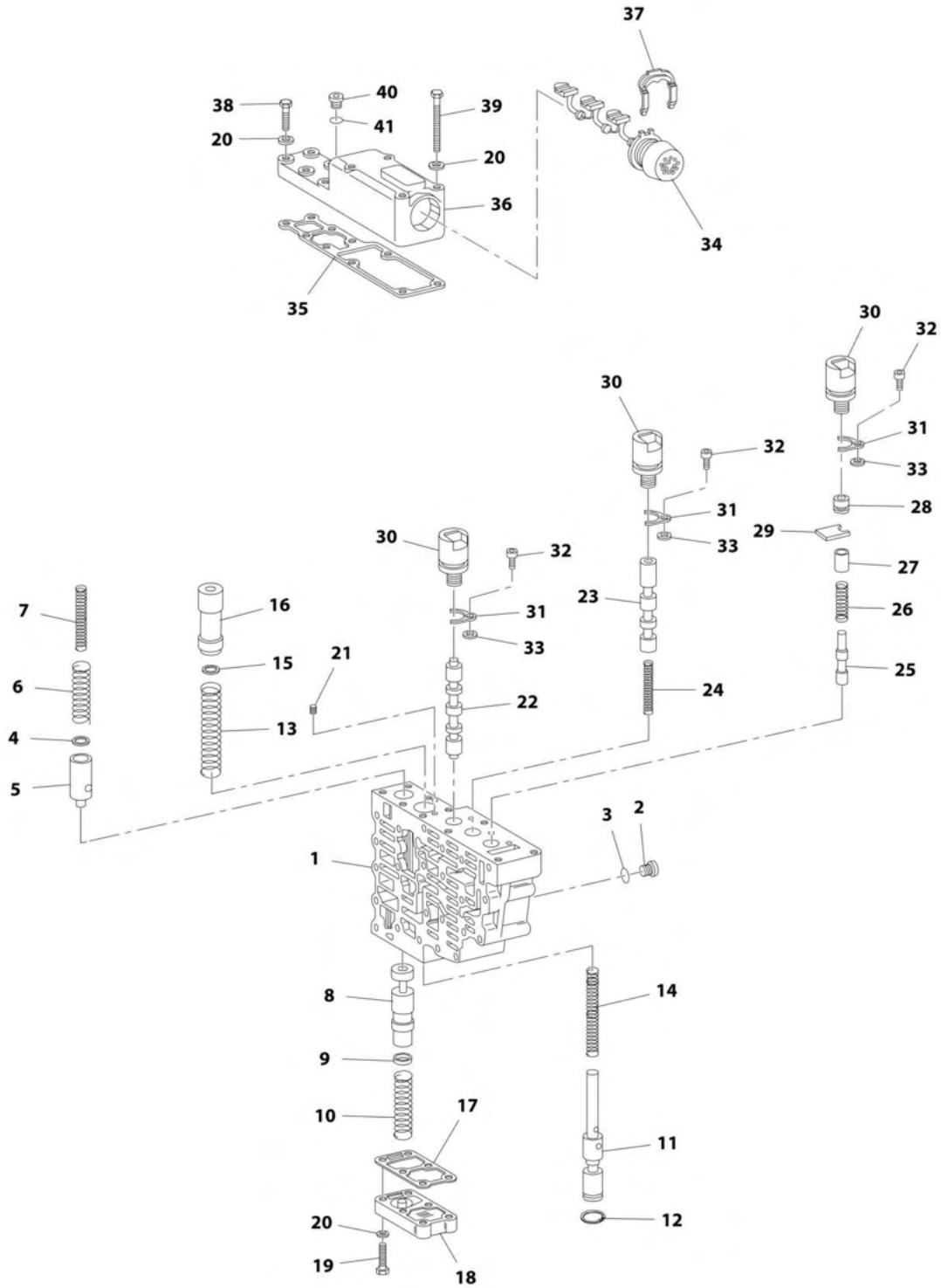
SECTION 5 - DRIVE TRAIN

FIGURE 5-13. TRANSMISSION, CONTROL UNIT

ITEM	PART NUMBER	QTY	DESCRIPTION	REV
1	1319650	1	Gasket	
2	8036033	1	Plate, Duct	
3	10732072	1	Spring, Compression	
4	10732071	1	Ball	
5	1319652	1	Orifice	
6	1319661	19	Washer, 6.4	
7	70020425	1	Plate, Intermediate	
8	7029037	19	Bolt, M6X60	
9	1319659	43	Screw, Torx M8X30	
10	70020426	1	Plate, Intermediate	
11		Ref	Housing, Valve (See Separate Breakdown in this Section)	
12		Ref	Block, Valve (See Separate Breakdown in this Section)	

SECTION 5 - DRIVE TRAIN

FIGURE 5-14. TRANSMISSION, VALVE HOUSING ASSEMBLY



ART_8841036_13-C

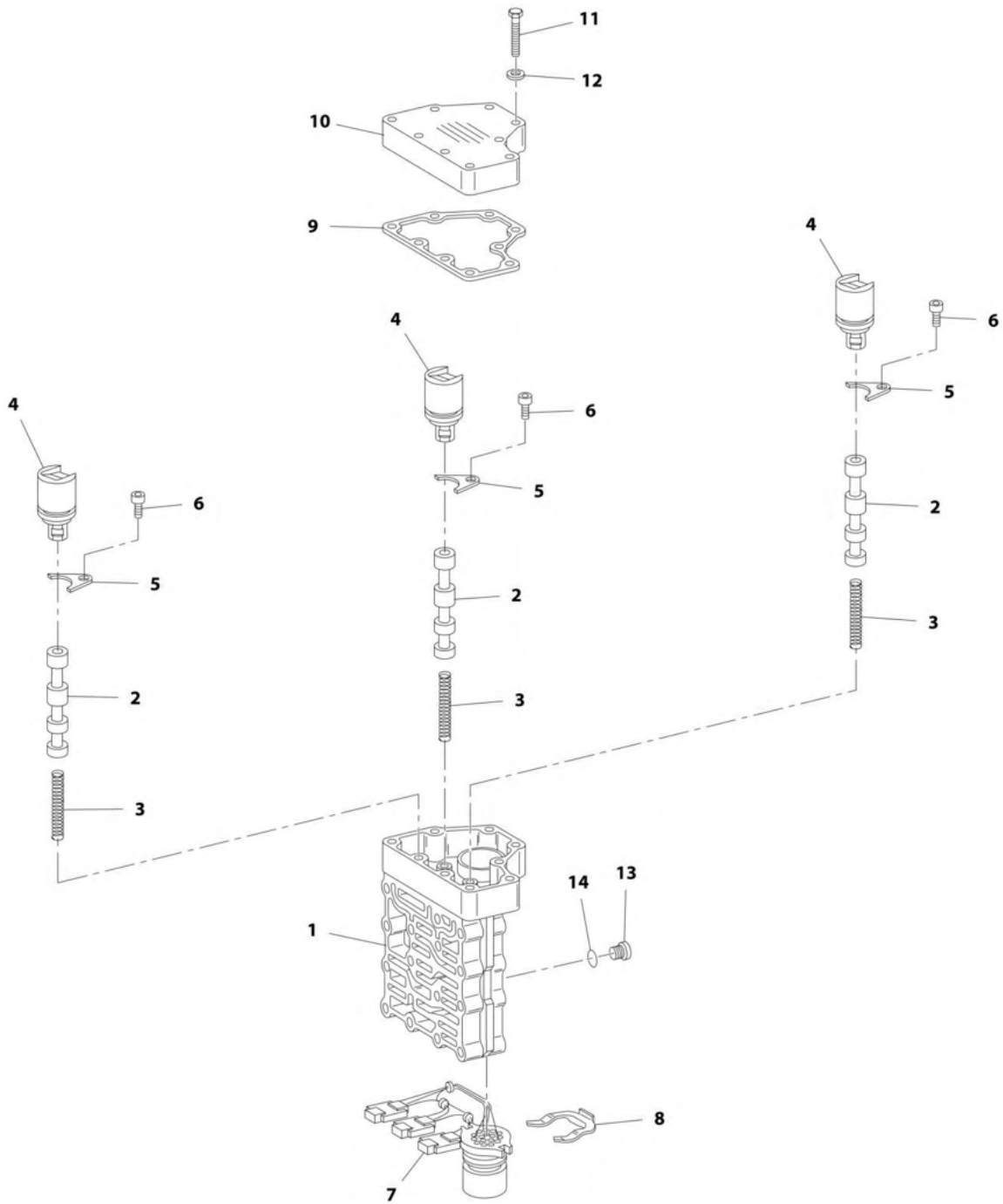
SECTION 5 - DRIVE TRAIN

FIGURE 5-14. TRANSMISSION, VALVE HOUSING ASSEMBLY

ITEM	PART NUMBER	QTY	DESCRIPTION	REV
	8036040	Ref	Valve Housing Assembly	
1	1319671	1	Housing, Valve	
2	1319670	7	Plug, Screw M10X1	
3	10731709	7	O-Ring	
4	8036036	1	Washer, 1	
5	7029039	1	Piston	
6	1319673	1	Spring, Compression	
7	8036038	1	Spring, Compression	
8	1319674	1	Piston	
9	1319675	1	Washer, 3.6	
9	1319676	1	Washer, 3.2	
9	1319677	1	Washer, 2.8	
9	1319678	1	Washer, 2.4	
9	1319679	1	Washer, 2	
10	1319680	1	Spring, Compression	
11	1319681	1	Control, Piston	
12	1319682	1	Washer, Lock 12	
13	1319683	1	Spring, Compression	
14	1319684	1	Spring, Compression	
15	1319685	1	Washer, 2	
15	1319686	1	Washer, 1	
15	1319687	1	Washer, 0.5	
15	1319688	1	Washer, 0.3	
15	1319689	1	Washer, 0.2	
16	1319690	1	Piston	
17	1319691	1	Seal	
18	1319692	1	Cover	
19	1319693	6	Bolt, M6X25	
20	1319661	16	Washer, 6.4	
21	1319652	1	Orifice	
22	1319694	1	Valve	
23	1319695	1	Piston	
24	1319696	1	Spring, Compression	
25	1319697	1	Piston	
26	1319698	1	Spring, Compression	
27	1319699	1	Spacer, Sleeve	
28	1319700	1	Plug	
29	1319701	1	Plate, Fixing	
30	1319702	3	Valve, Solenoid	
31	10732063	3	Plate, Fixing	
32	1319703	3	Bolt, M5X12	
33	10732064	3	Washer, 2	
34	1319704	1	Harness, Wiring	
35	1319705	1	Seal	
36	8036039	1	Cover	
37	1319707	1	Clamp, Retaining	
38	1319693	6	Bolt, M6X25	
39	7029037	4	Bolt, M6X60	
40	1319670	1	Plug, Screw M10X1	
41	10731709	1	O-Ring	

SECTION 5 - DRIVE TRAIN

FIGURE 5-15. TRANSMISSION, VALVE BLOCK ASSEMBLY



ART_8841036_14-C

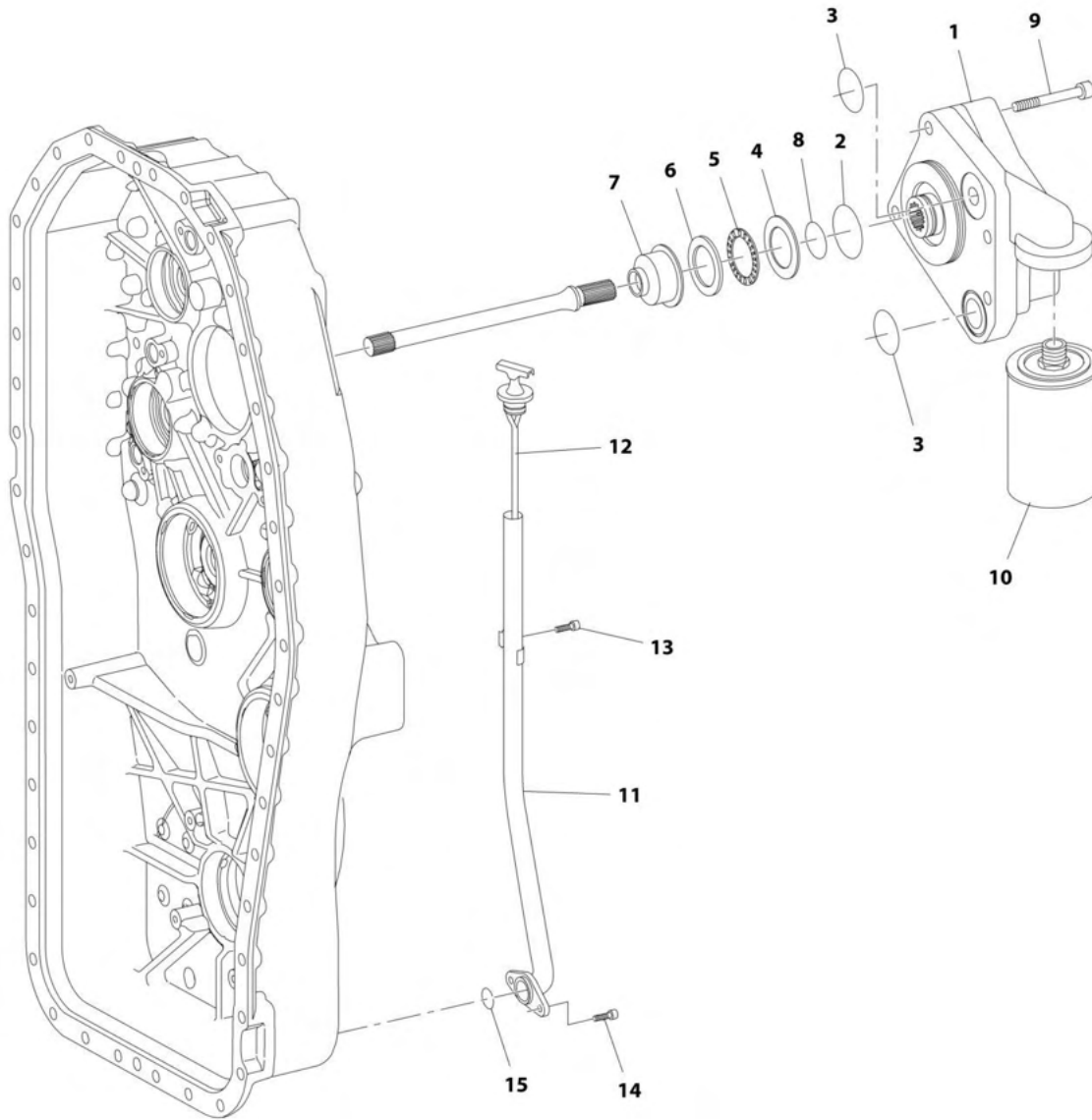
SECTION 5 - DRIVE TRAIN

FIGURE 5-15. TRANSMISSION, VALVE BLOCK ASSEMBLY

ITEM	PART NUMBER	QTY	DESCRIPTION	REV
	1319717	Ref	Valve Block Assembly	
1	70020427	1	Block, Valve	
2	1319710	3	Piston	
3	1319696	3	Spring, Compression	
4	1319702	3	Valve, Solenoid	
5	10732063	3	Plate, Fixing	
6	1319703	3	Bolt, M5X12	
7	1319711	1	Harness, Wiring	
8	1319707	1	Clamp, Retaining	
9	1319712	1	Gasket	
10	1319713	1	Cover	
11	1319714	9	Bolt, M5X32	
12	1319715	9	Washer, 5.3	
13	1319670	3	Plug, Screw M10X1	
14	10731709	3	O-Ring	

SECTION 5 - DRIVE TRAIN

FIGURE 5-16. TRANSMISSION, OIL PUMP AND FILTER



ART_8841036_15-C

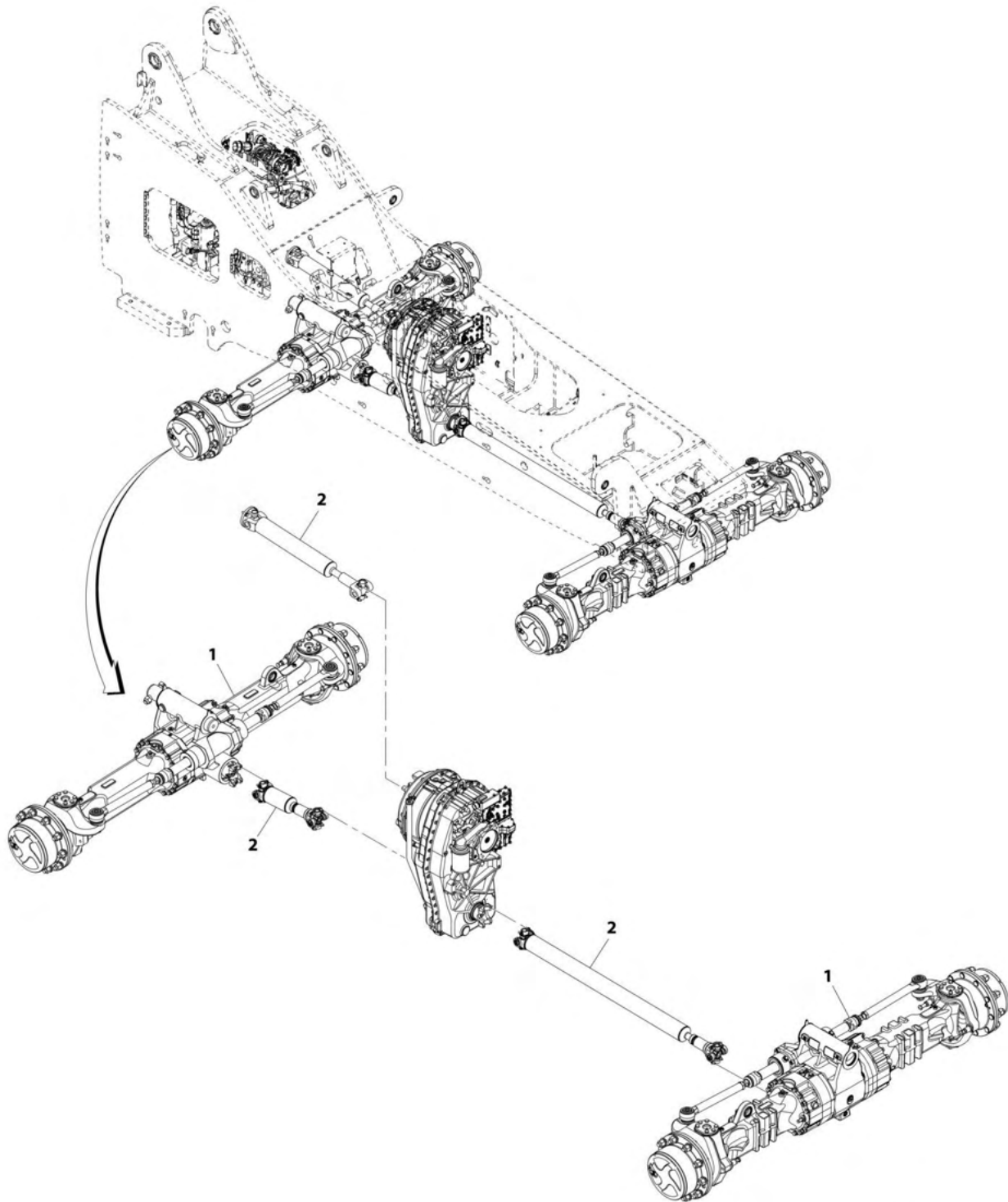
SECTION 5 - DRIVE TRAIN

FIGURE 5-16. TRANSMISSION, OIL PUMP AND FILTER

ITEM	PART NUMBER	QTY	DESCRIPTION	REV
1	1319718	1	Pump	
1	7029417	1	O-Ring, (between pump halves), (not shown)	
2	8036250	1	O-Ring	
3	1319719	2	O-Ring	
4	1319720	1	Washer, Axial 40X60X1	
5	1319721	1	Cage, Axial Needle	
6	1319722	1	Disc, Angle	
7	1319723	1	Sleeve, Stop	
8	1319724	1	O-Ring	
9	1319725	4	Bolt, M12X115	
10	1319726	1	Filter, Transmission Oil	
11	8036041	1	Tube, Dipstick	
12	8036042	1	Dipstick	
13	1319585	1	Screw, M8X16	
14	1319582	1	Screw, M8X20	
15	70023885	1	O-Ring	

SECTION 5 - DRIVE TRAIN

FIGURE 5-17. DRIVETRAIN INSTALLATION



ART_1001242748-A

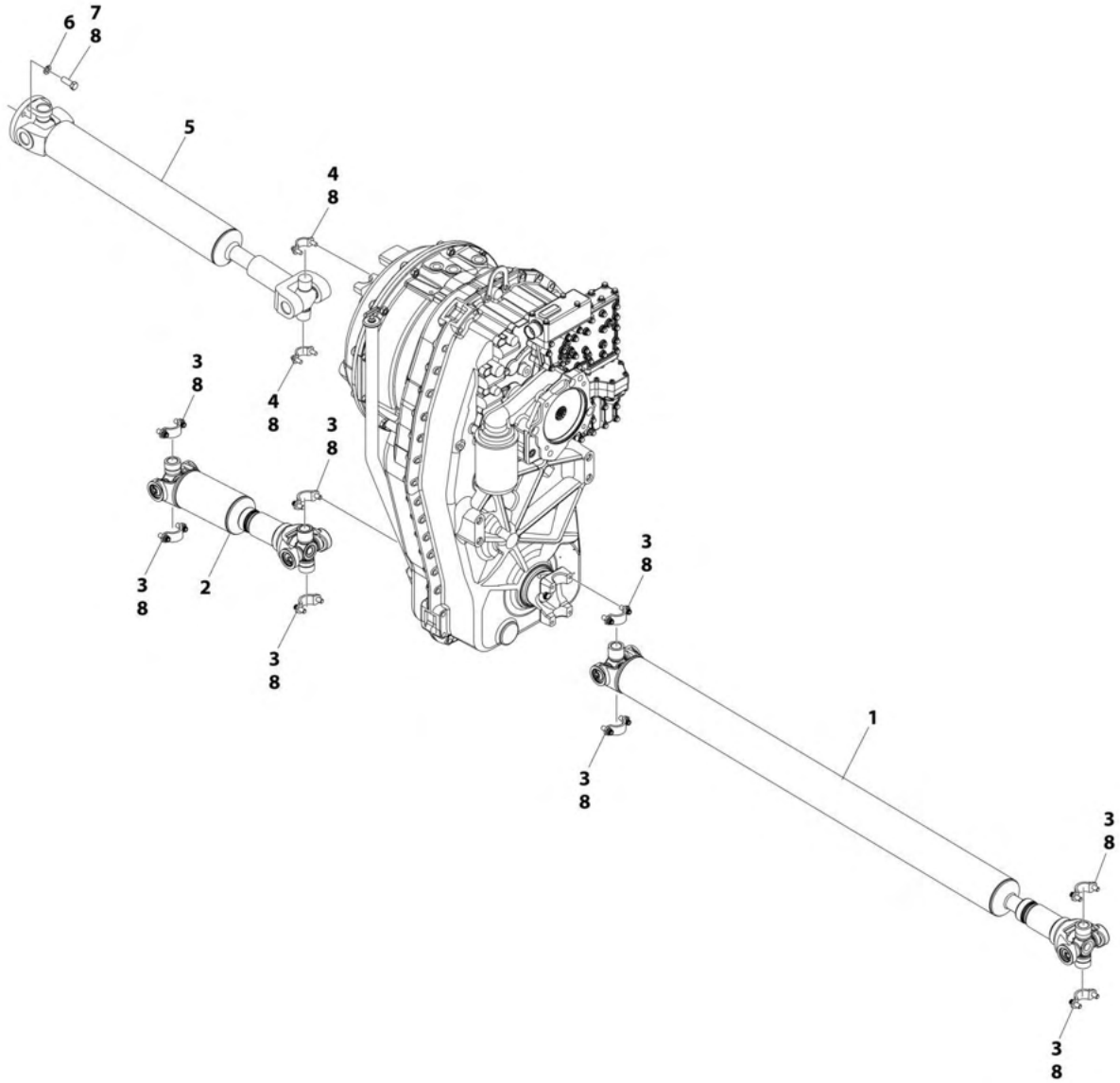
SECTION 5 - DRIVE TRAIN

FIGURE 5-17. DRIVETRAIN INSTALLATION

ITEM	PART NUMBER	QTY	DESCRIPTION	REV
	1001242748	Ref	Drivetrain Installation	A
1	1001242749	1	Installation, Axle (See Separate Breakdown in this Section)	
2	1001242750	1	Installation, Driveshafts (See Separate Breakdown in this Section)	

SECTION 5 - DRIVE TRAIN

FIGURE 5-18. DRIVESHAFTS INSTALLATION



ART_1001242750

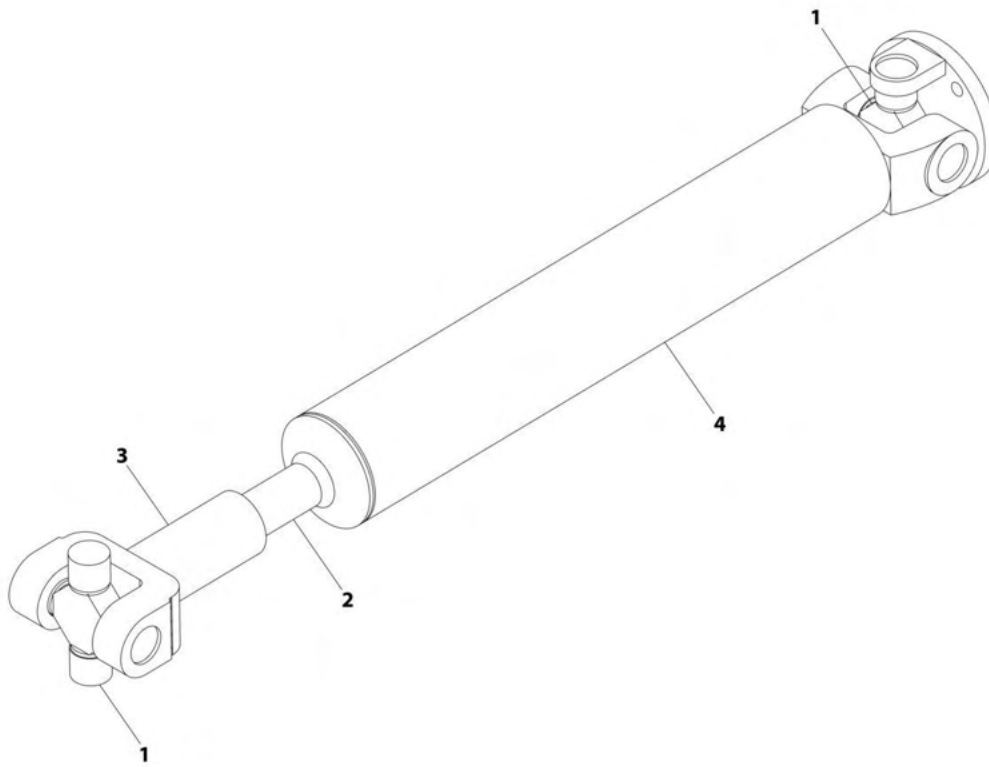
SECTION 5 - DRIVE TRAIN

FIGURE 5-18. DRIVESHAFTS INSTALLATION

ITEM	PART NUMBER	QTY	DESCRIPTION	REV
	1001242750	Ref	DRIVESHAFTS INSTALLATION	C
1	1001222870	1	Shaft, Front Drive	
2	1023036000	1	Shaft, Rear Drive	
3	8880218-OM	4	Strap Kit	
4	8880219-OM	1	Strap Kit	
5	1001127784	1	Shaft, Input (See Separate Breakdown in this Section)	
6	8307006	4	Washer	
7	8310425	4	Bolt 5/16 x 1-1/4 Grade 8	
8	0100011	AR	Compound, Locking	

SECTION 5 - DRIVE TRAIN

FIGURE 5-19. DRIVE SHAFT INPUT



ART_1001127784-C

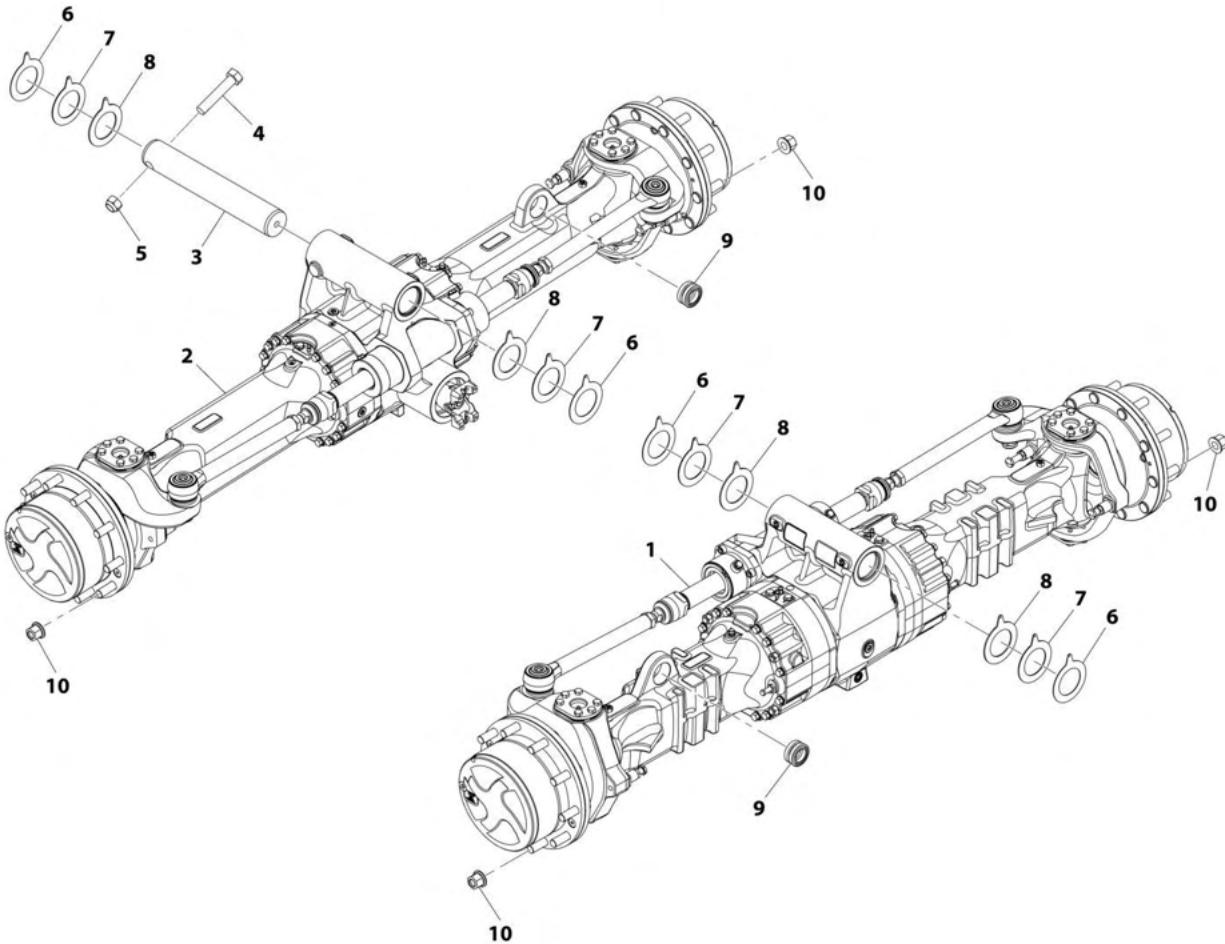
SECTION 5 - DRIVE TRAIN

FIGURE 5-19. DRIVE SHAFT INPUT

ITEM	PART NUMBER	QTY	DESCRIPTION	REV
	1001127784	Ref	Drive Shaft Input Assembly	C
1	1101841	2	Kit, Cross and Bearing	
2	8035109	1	Kit, Dust Cap	
3	See Note	NSS	Joint, Slip (Note: Purchase Complete Assembly)	
4	See Note	NSS	Shaft, Yoke (Note: Purchase Complete Assembly)	

SECTION 5 - DRIVE TRAIN

FIGURE 5-20. AXLE INSTALLATION



ART_1001242749-C

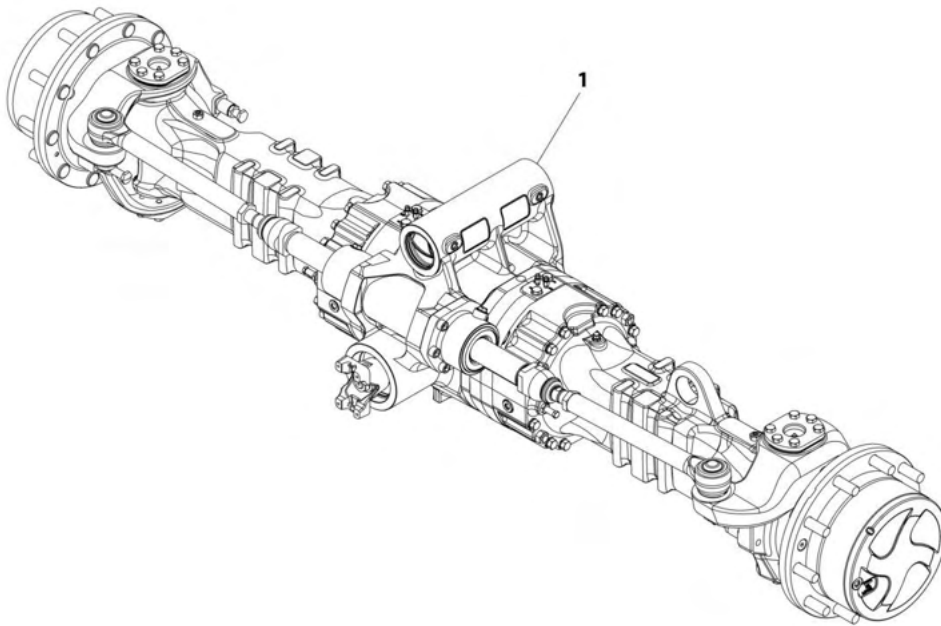
SECTION 5 - DRIVE TRAIN

FIGURE 5-20. AXLE INSTALLATION

ITEM	PART NUMBER	QTY	DESCRIPTION	REV
	1001242749	Ref	Axle Installation	C
1	1005798200	1	Front Axle (See Separate Breakdown in this Section)	
2	1010278300	1	Rear Axle (See Separate Breakdown in this Section)	
3	3423254	1	Pin	
4	0642640	1	Capscrew	
5	8310116	1	Nut	
6	1001245213	AR	Shim	
7	1001245214	AR	Shim	
8	1001245215	AR	Shim	
9	8050001	2	Bearing, Self-Align	
10	91403193	40	Nut, Lug M22X1-1/2	

SECTION 5 - DRIVE TRAIN

FIGURE 5-21. FRONT AXLE



ART_1005798200_E

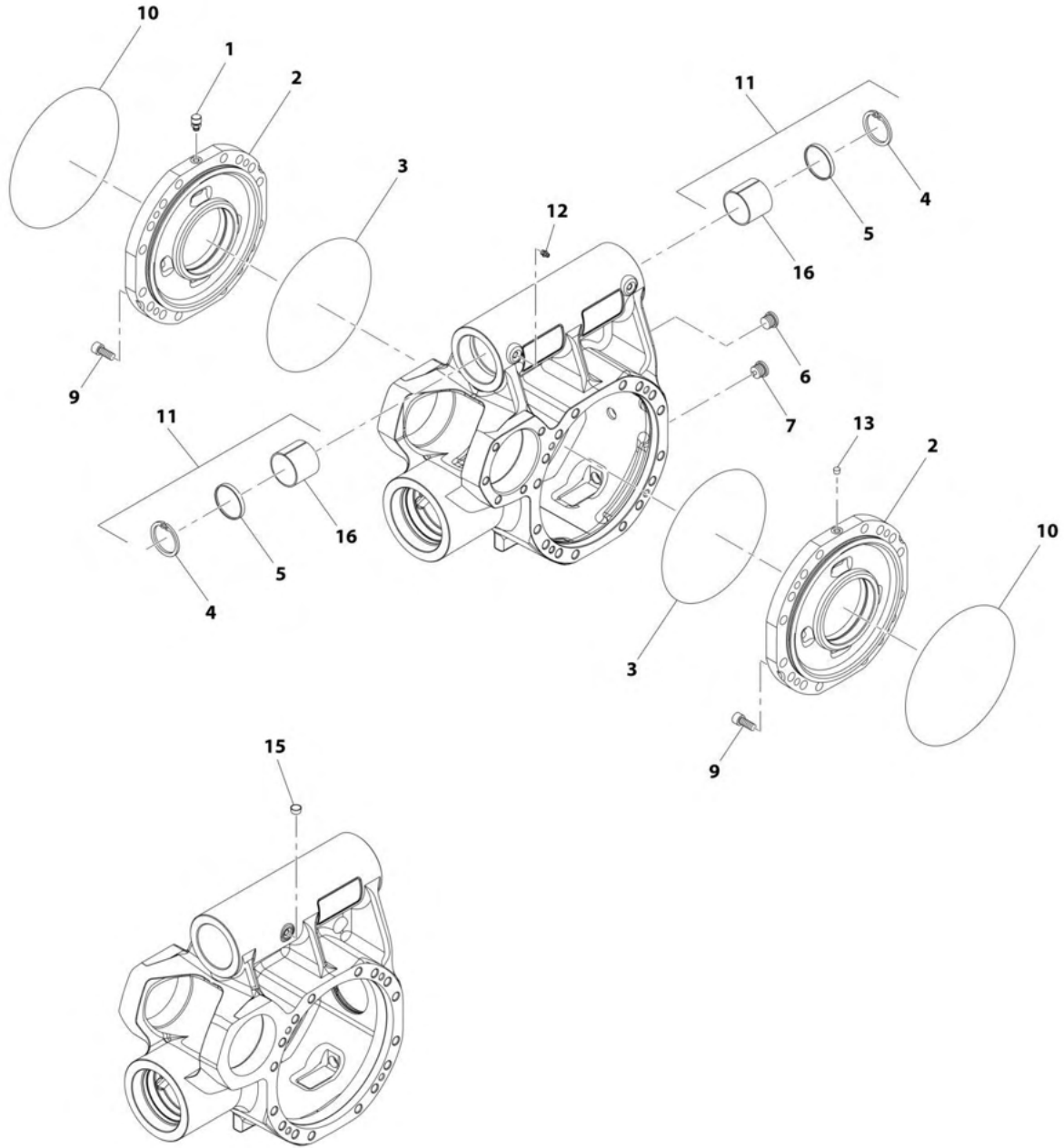
SECTION 5 - DRIVE TRAIN

FIGURE 5-21. FRONT AXLE

ITEM	PART NUMBER	QTY	DESCRIPTION	REV
1	1005798200	Ref	Front Axle	E
		Ref	Front Axle, Central Housing (See Separate Breakdown in this Section)	
		Ref	Front Axle, Differential (See Separate Breakdown in this Section)	
		Ref	Front Axle, Hub Reduction (See Separate Breakdown in this Section)	
		Ref	Front Axle, Brakes (See Separate Breakdown in this Section)	
		Ref	Front Axle, Steering (See Separate Breakdown in this Section)	

SECTION 5 - DRIVE TRAIN

FIGURE 5-22. FRONT AXLE - CENTRAL HOUSING



ART_1005798200-1

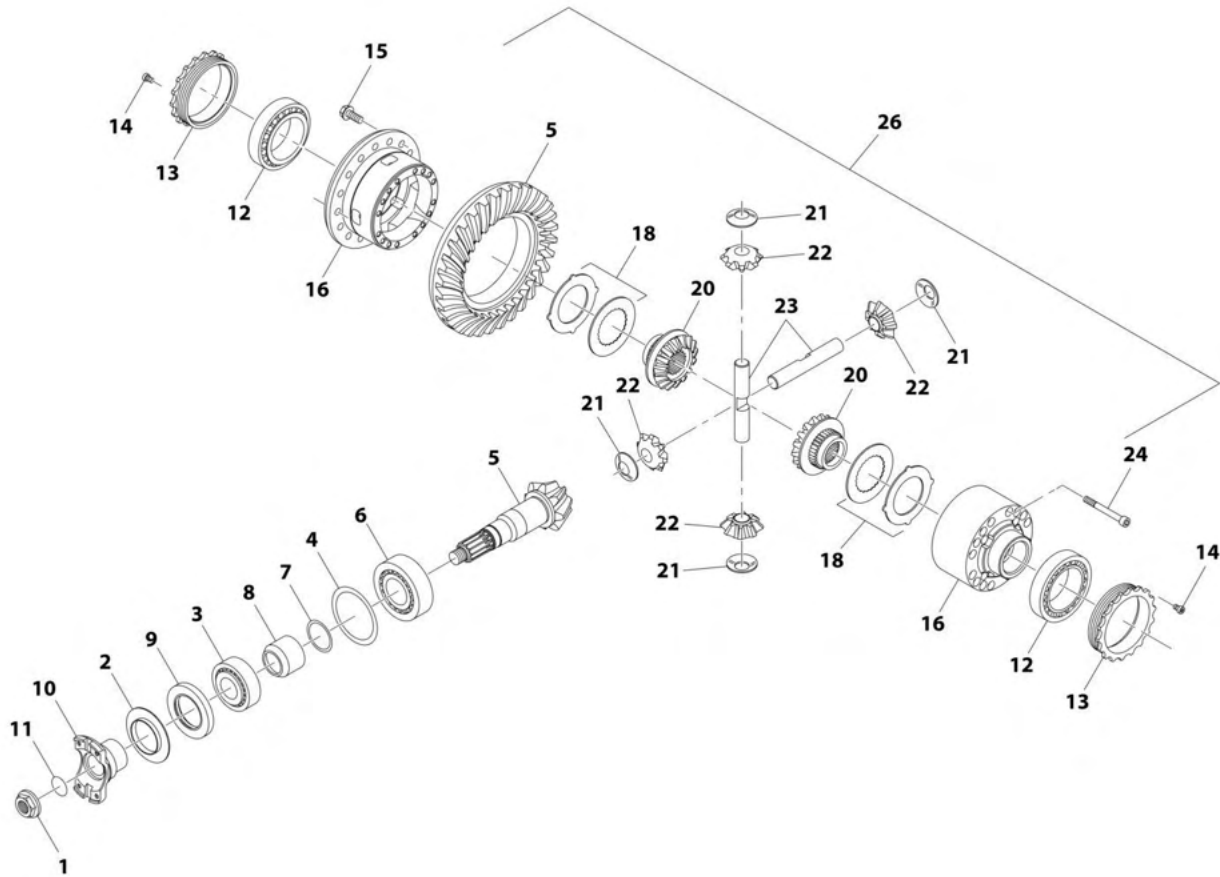
SECTION 5 - DRIVE TRAIN

FIGURE 5-22. FRONT AXLE - CENTRAL HOUSING

ITEM	PART NUMBER	QTY	DESCRIPTION	REV
1	91474512	1	Vent	
2	7029288	2	Intermediate Cover	
3	80204002	2	O-Ring	
4	70028939	2	Ring	
5	70028974	2	Seal	
6	70028389	1	Plug	
7	70028388	1	Plug	
9	91514101	8	Bolt	
10	91514089	2	O-Ring	
11	70029482	1	Housing	
12	70024881	2	Grease Fitting	
13	80204012	1	Plug	
15	70028938	1	Plug	
16	70028886	2	Thrust Bushing	

SECTION 5 - DRIVE TRAIN

FIGURE 5-23. FRONT AXLE - DIFFERENTIAL



ART_1005798200-2

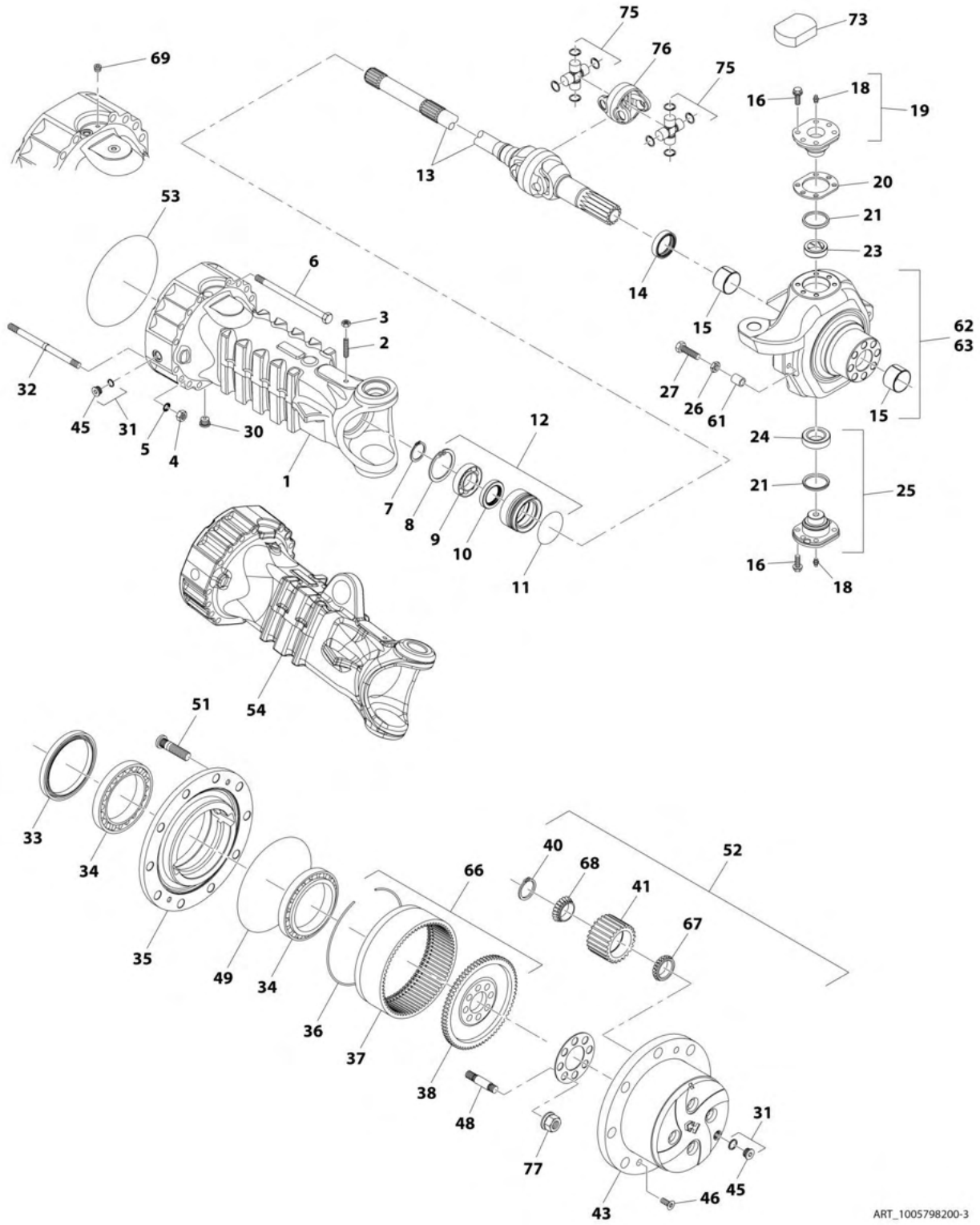
SECTION 5 - DRIVE TRAIN

FIGURE 5-23. FRONT AXLE - DIFFERENTIAL

ITEM	PART NUMBER	QTY	DESCRIPTION	REV
1	80204043	1	Nut	
2	91514130	1	Cover Plate	
3	80204048	1	Taper Roller Bearing	
4	70029483	1	Shim Kit	
5	70028391	1	Bevel Gear Set	
6	80204035	1	Taper Roller Bearing	
7	70023494	1	Ring	
8	70022140	1	Spacer	
9	70025887	1	Seal	
10	91514131	1	Flange	
11	10725554	1	O-Ring	
12	80204033	2	Taper Roller Bearing	
13	91514133	2	Ring Nut	
14	91514134	2	Bolt	
15	70025562	16	Bolt	
16	70024004	1	Differential Carrier	
18	70026750	2	Clutch Disc	
20	70025856	2	Gear, Differential Side	
21	70027105	4	Friction Washer	
22	70025339	4	Differential Pinion	
23	70023490	2	Differential Shaft	
24	91514143	15	Bolt	
26	70028390	1	Differential	

SECTION 5 - DRIVE TRAIN

FIGURE 5-24. FRONT AXLE - HUB REDUCTION



ART_1005798200-3

SECTION 5 - DRIVE TRAIN

FIGURE 5-24. FRONT AXLE - HUB REDUCTION

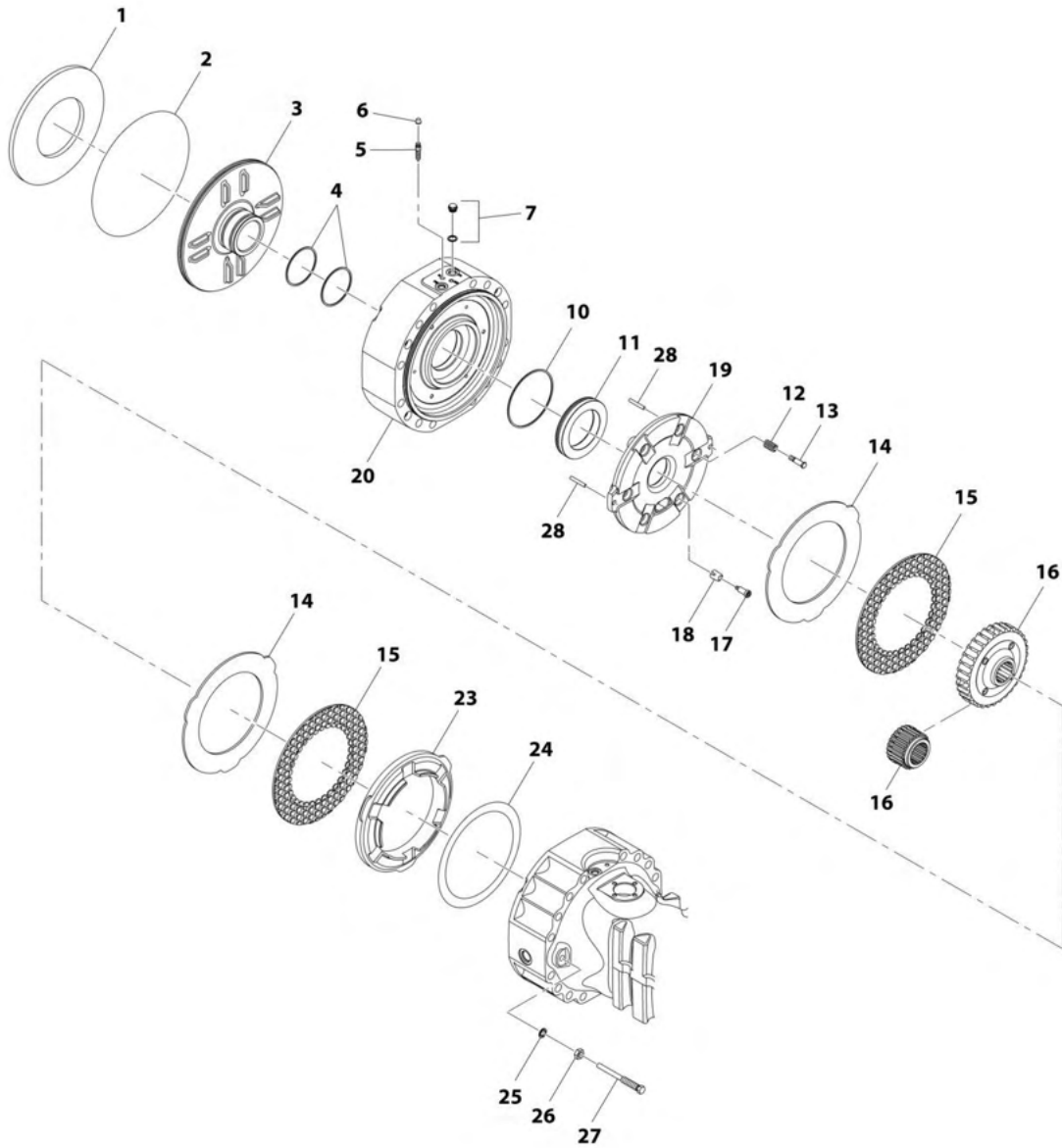
ITEM	PART NUMBER	QTY	DESCRIPTION	REV
1	70029484	1	Axle Case	
2	91514081	2	Bolt	
3	91514082	2	Nut	
4	91514083	8	Nut	
5	91514084	8	Washer	
6	7029309	24	Bolt	
7	80204071	2	Circlip	
8	80204005	2	Circlip	
9	91514146	2	Ball Bearing	
10	91514147	2	Seal	
11	91514148	2	O-Ring	
12	91514149	2	Reduction Bushing	
13	70026066	2	Double Universal Joint	
14	70025857	2	Seal	
15	91514111	2	Thrust Bushing	
16	70025562	24	Bolt	
18	70024881	4	Grease Fitting	
19	70028890	2	Pivot Pin	
20	70025561	1	Shim Kit	
21	7028716	4	Dust Seal	
23	7028714	2	Bushing	
24	91514095	2	Bearing	
25	70028891	2	Pivot Pin	
26	80204065	4	Nut	
27	70028975	4	Bolt	
30	70028388	2	Plug	
31	91514188	2	Plug	
32	70024851	8	Stud	
33	70026002	2	Seal	
34	80204076	4	Tapered Roller Bearing	
35	91514174	2	Wheel Hub	
36	91514175	2	Circlip	
37	70024147	2	Ring Gear	
38	91514177	2	Ring Gear Support	
40	70028926	8	Snap Ring	
41	70028924	8	Planet Gear	
43	70029486	2	Planet Gear Carrier	
45	70028389	2	Plug	
46	91514189	4	Bolt, Countersunk	
48	91514180	16	Stud	
49	91514181	2	O-Ring	
51	91514183	20	Wheel Stud	
52	70029454	2	Planet Gear Carrier Assembly	
53	91514089	2	O-Ring	
54	70029544	1	Axle Case	
61	7029311	4	Spacer	
62	70029488	1	Steering Case Assembly (LF)	
63	70029489	1	Steering Case Assembly (RF)	
66	70024146	2	Ring Gear Support Kit	
67	70028923	8	Tapered Roller Bearing	

SECTION 5 - DRIVE TRAIN

ITEM	PART NUMBER	QTY	DESCRIPTION	REV
68	70028922	8	Tapered Roller Bearing	
69	80204012	2	Plug	
73	70028392	2	Cover	
75	70023829	2	Joint Cross	
76	70023116	1	Center Body	
77	70029545	16	Nut	

SECTION 5 - DRIVE TRAIN

FIGURE 5-25. FRONT AXLE - BRAKES



ART_1005798200-4

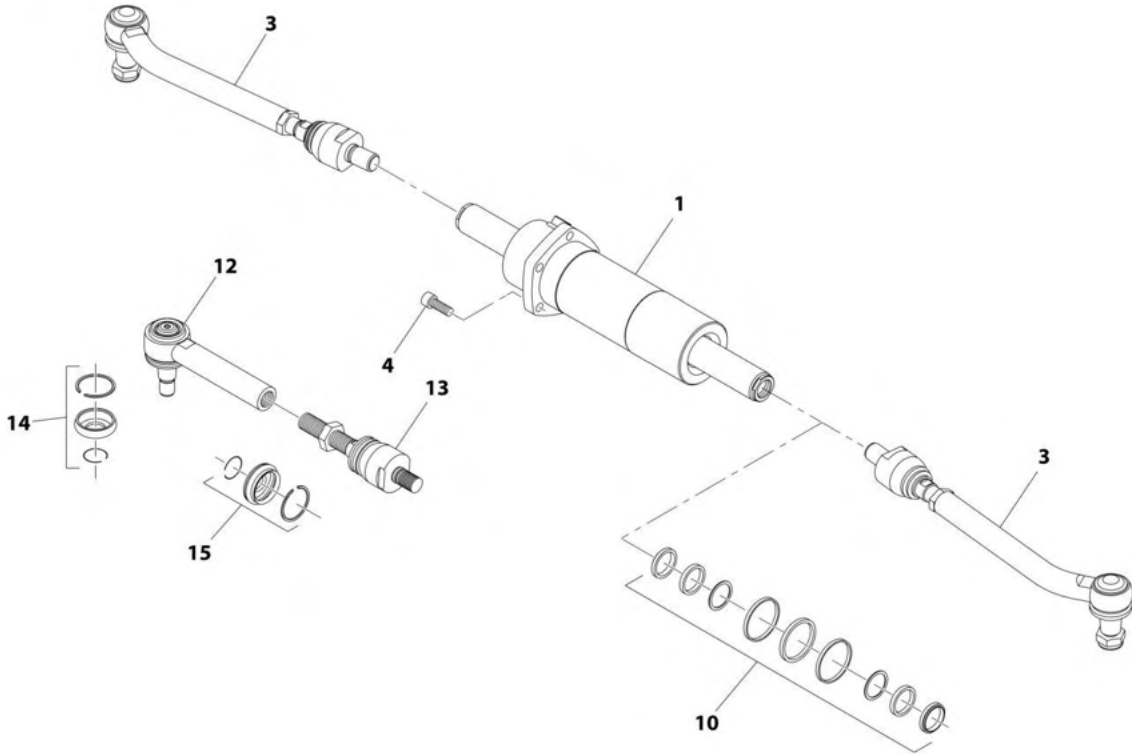
SECTION 5 - DRIVE TRAIN

FIGURE 5-25. FRONT AXLE - BRAKES

ITEM	PART NUMBER	QTY	DESCRIPTION	REV
1	91514151	2	Belleville Washer	
2	91514089	2	O-Ring	
3	70027092	2	Piston	
4	70026262	4	Seal	
5	80204281	4	Bleeding Bolt	
6	80204117	4	Plug	
7	91514154	4	Bolt	
10	70026263	2	Seal	
11	70027796	2	Piston	
12	91514159	6	Spring	
13	70024210	6	Adjusting Bolt	
14	70027022	6	Intermediate Brake Disc	
15	7029735	6	Brake Disc	
16	7029734	2	Reduction Bushing	
17	7029787	6	Adjusting Bolt	
18	70027317	6	Spring	
19	70024849	2	Disc, Intermediate Brake	
20	70024848	2	Cover	
23	70026264	2	Spacer	
24	70025970	1	Shim	
25	80204108	4	Lockwasher	
26	80204060	4	Nut	
27	70024213	4	Bolt, M22 x 245/2	
28	70024215	4	Dowel	

SECTION 5 - DRIVE TRAIN

FIGURE 5-26. FRONT AXLE - STEERING



ART_1005798200-5

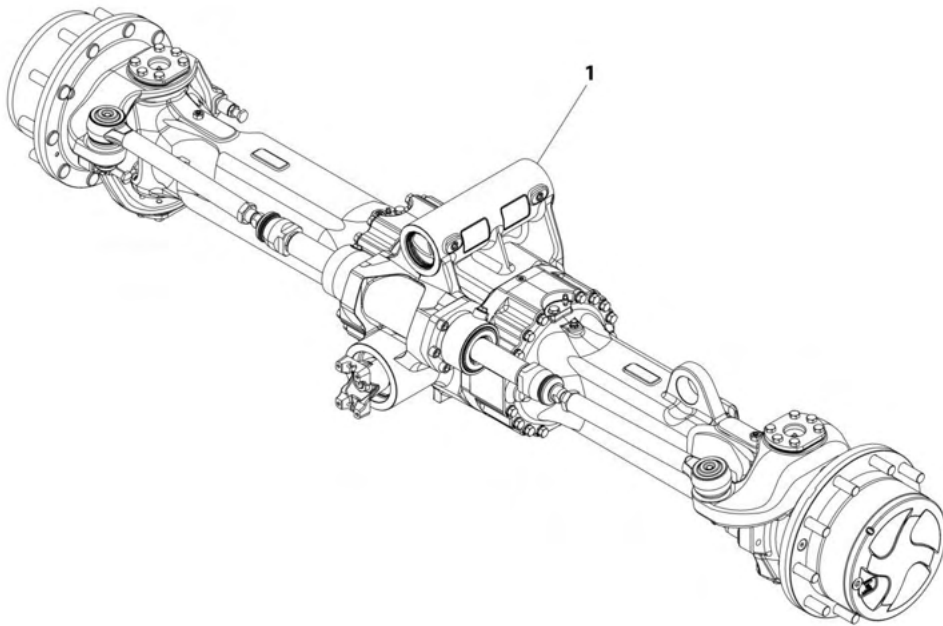
SECTION 5 - DRIVE TRAIN

FIGURE 5-26. FRONT AXLE - STEERING

ITEM	PART NUMBER	QTY	DESCRIPTION	REV
1	70028947	1	Cylinder	
3	70028948	2	Tie Rod	
4	80204144	5	Cylinder Bolt	
10	7029127	1	Seal Kit	
12	70028949	1	Joint, 90	
13	70028950	1	Axial Joint Shaft	
14	70028951	1	Rubber Boot and Locking Ring Kit	
15	70028952	1	Rubber Boot and Locking Ring Kit	

SECTION 5 - DRIVE TRAIN

FIGURE 5-27. REAR AXLE



ART_1010278300-C

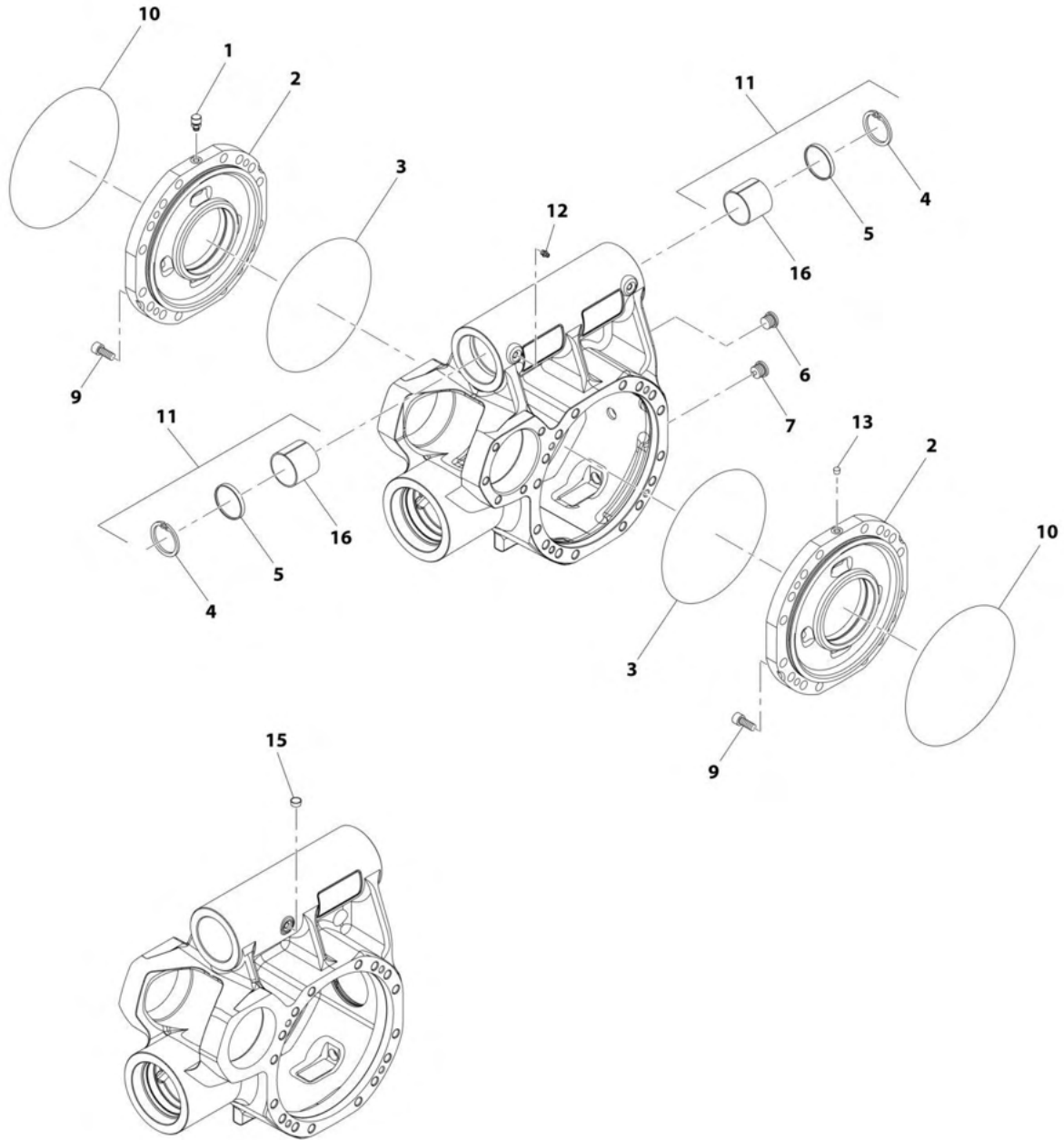
SECTION 5 - DRIVE TRAIN

FIGURE 5-27. REAR AXLE

ITEM	PART NUMBER	QTY	DESCRIPTION	REV
1	1010278300	Ref	Rear Axle	C
		Ref	Rear Axle, Central Housing (See Separate Breakdown in this Section)	
		Ref	Rear Axle, Differential (See Separate Breakdown in this Section)	
		Ref	Rear Axle, Hub Reduction (See Separate Breakdown in this Section)	
		Ref	Rear Axle, Brakes (See Separate Breakdown in this Section)	
		Ref	Rear Axle, Steering (See Separate Breakdown in this Section)	

SECTION 5 - DRIVE TRAIN

FIGURE 5-28. REAR AXLE - CENTRAL HOUSING



ART_1010278300-1

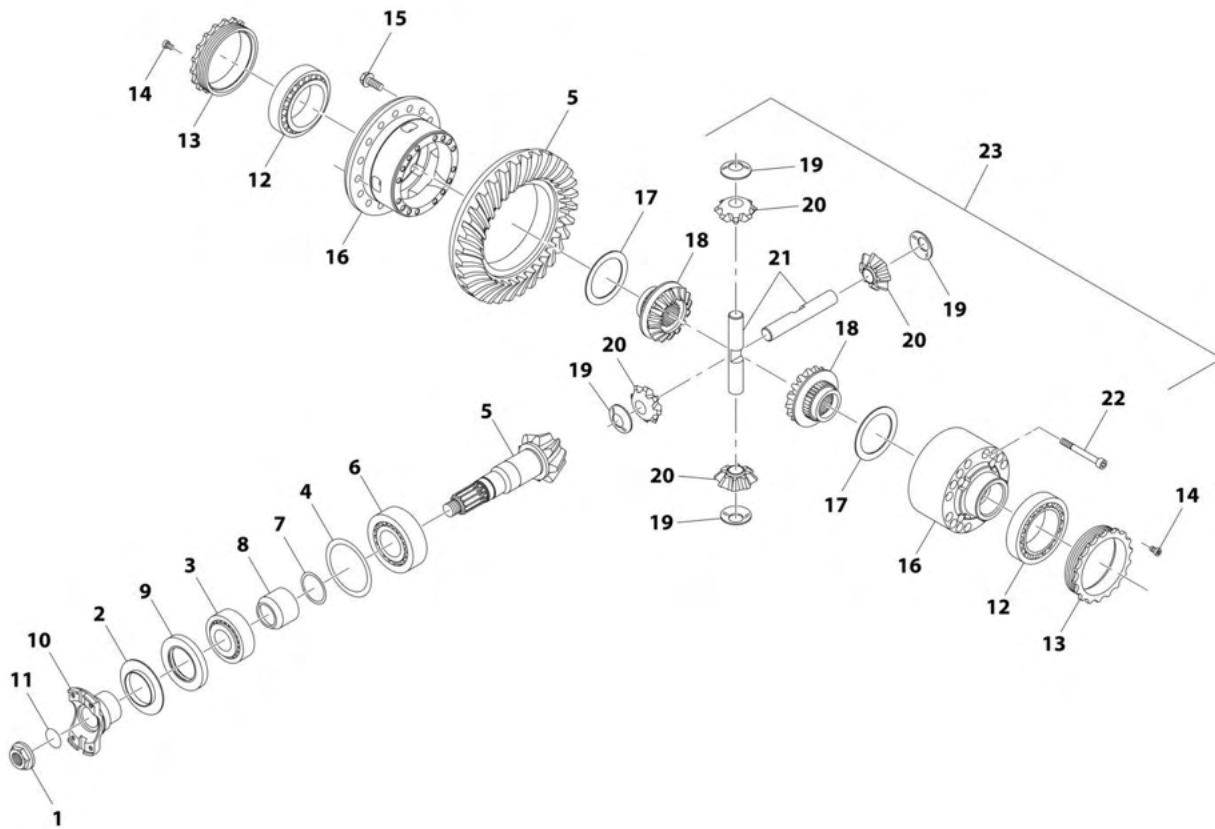
SECTION 5 - DRIVE TRAIN

FIGURE 5-28. REAR AXLE - CENTRAL HOUSING

ITEM	PART NUMBER	QTY	DESCRIPTION	REV
1	91474512	1	Vent	
2	7029288	2	Intermediate Cover	
3	80204002	2	O-Ring	
4	70028939	2	Ring	
5	70028974	2	Seal	
6	70028389	1	Plug	
7	70028388	1	Plug	
9	91514101	8	Bolt	
10	91514089	2	O-Ring	
11	70029482	1	Housing	
12	70024881	2	Grease Fitting	
13	80204012	1	Plug	
15	70028938	1	Plug	
16	70028886	2	Thrust Bushing	

SECTION 5 - DRIVE TRAIN

FIGURE 5-29. REAR AXLE - DIFFERENTIAL



ART_1010278300-2

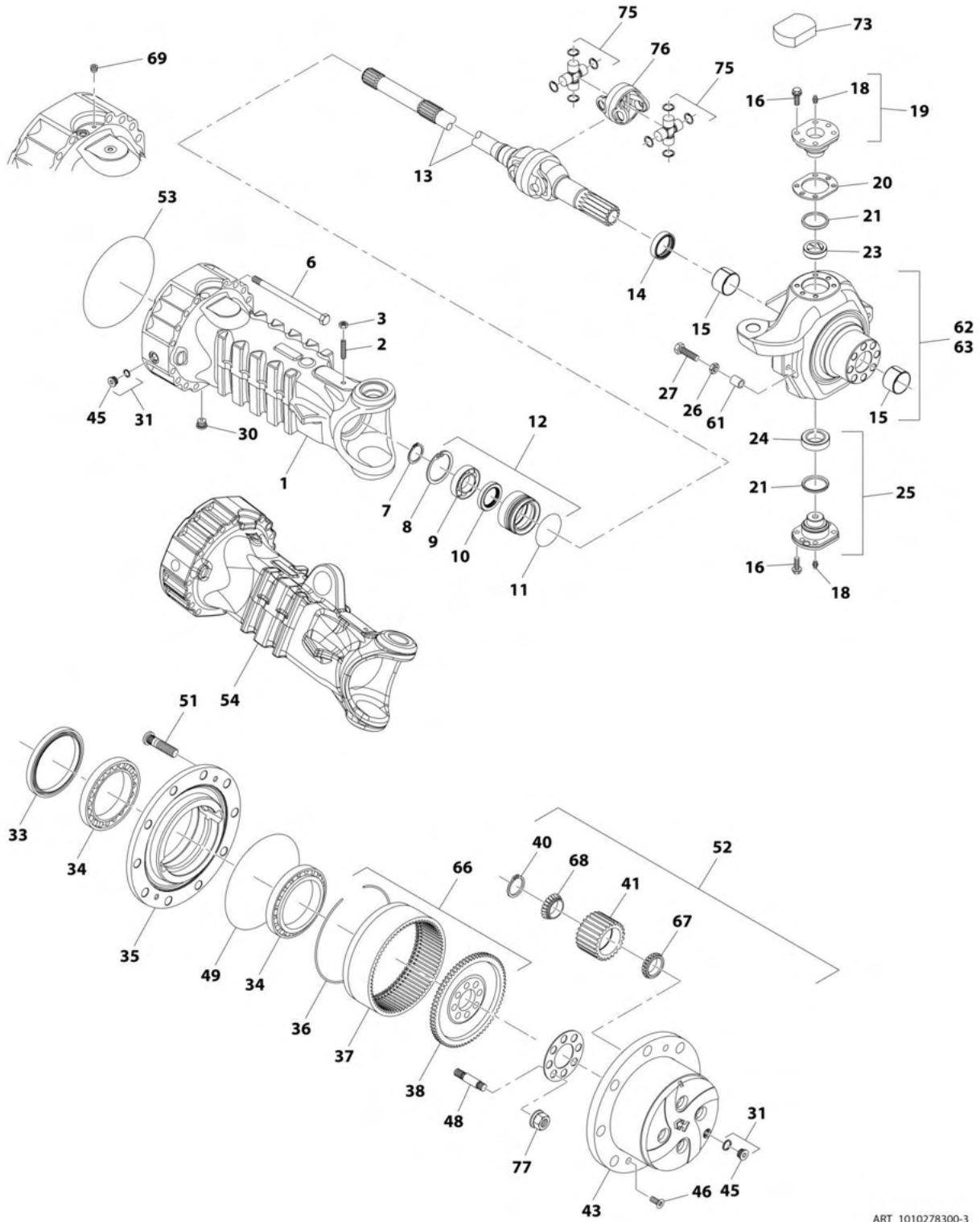
SECTION 5 - DRIVE TRAIN

FIGURE 5-29. REAR AXLE - DIFFERENTIAL

ITEM	PART NUMBER	QTY	DESCRIPTION	REV
1	80204043	1	Nut	
2	91514130	1	Cover Plate	
3	80204048	1	Taper Roller Bearing	
4	70029483	1	Shim Kit	
5	70028399	1	Bevel Gear Set	
6	80204035	1	Taper Roller Bearing	
7	70023494	1	Ring	
8	70022140	1	Spacer	
9	70025887	1	Seal	
10	91514131	1	Flange	
11	10725554	1	O-Ring	
12	80204033	2	Taper Roller Bearing	
13	91514133	2	Ring Nut	
14	91514134	2	Bolt	
15	70025562	16	Bolt	
16	70025337	1	Differential Carrier	
17	70023493	2	Friction Washer	
18	70025338	2	Differential Side Gear	
19	70027105	4	Friction Washer	
20	70025339	4	Differential Pinion	
21	70023490	2	Differential Shaft	
22	70023489	15	Bolt	
23	70028398	1	Differential Kit	

SECTION 5 - DRIVE TRAIN

FIGURE 5-30. REAR AXLE - HUB REDUCTION



ART_1010278300-3

SECTION 5 - DRIVE TRAIN

FIGURE 5-30. REAR AXLE - HUB REDUCTION

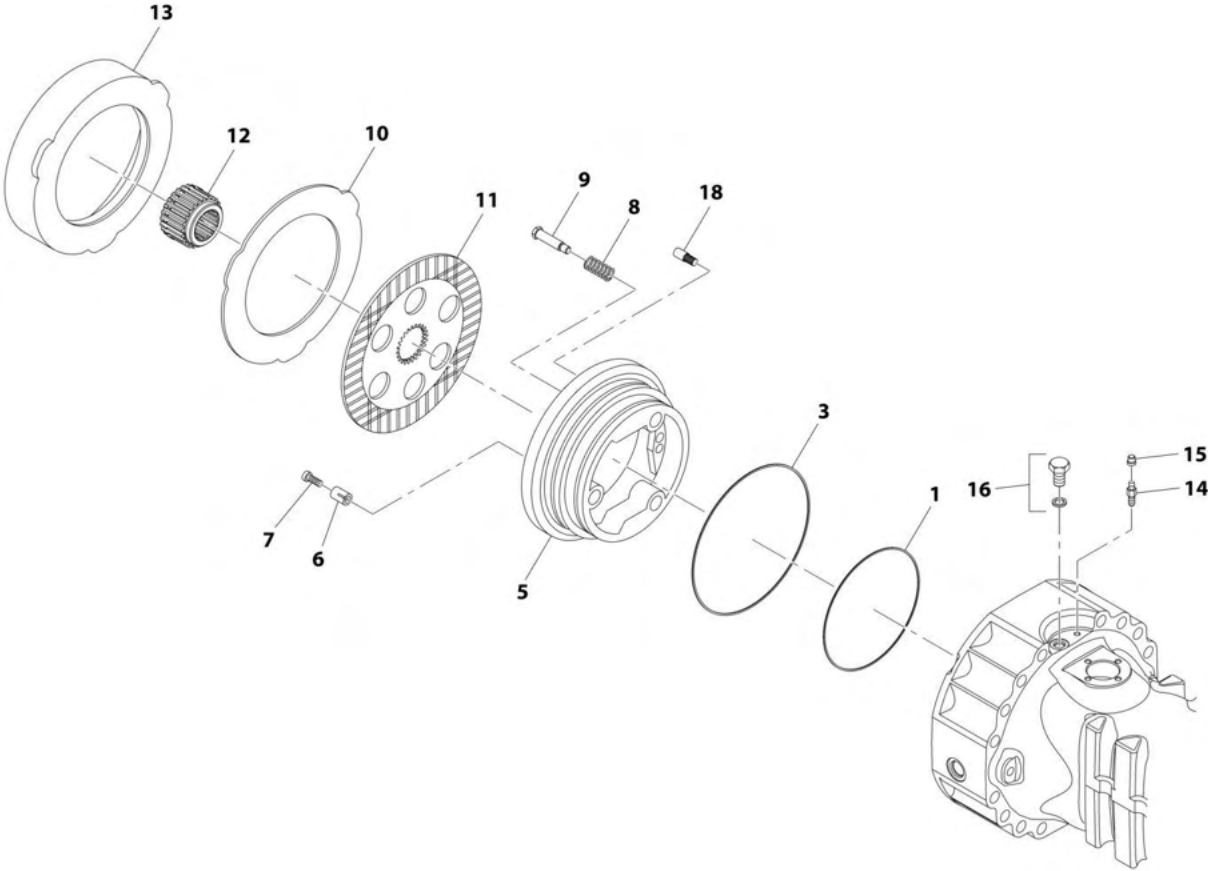
ITEM	PART NUMBER	QTY	DESCRIPTION	REV
1	70029850	1	Axle Case	
2	91514081	2	Bolt	
3	91514082	2	Nut	
6	70028397	32	Bolt	
7	80204071	2	Circlip	
8	80204005	2	Circlip	
9	91514146	2	Ball Bearing	
10	91514147	2	Seal	
11	91514148	2	O-Ring	
12	91514149	2	Reduction Bushing	
13	70026066	2	Double Universal Joint	
14	70025857	2	Seal	
15	91514111	2	Thrust Bushing	
16	70025562	24	Bolt	
18	70024881	4	Grease Fitting	
19	70028890	2	Pivot Pin	
20	70025561	1	Shim Kit	
21	7028716	4	Dust Seal	
23	7028714	2	Bushing	
24	91514095	2	Bearing	
25	70028891	2	Pivot Pin	
26	80204065	4	Nut	
27	70028975	4	Bolt	
30	70028388	2	Plug	
31	91514188	2	Plug	
33	70026002	2	Seal	
34	80204076	4	Taper Roller Bearing	
35	91514174	2	Wheel Hub	
36	91514175	2	Circlip	
37	70024147	2	Ring Gear	
38	91514177	2	Ring Gear Support	
40	70028926	8	Snap Ring	
41	70028924	8	Planet Gear	
43	70029486	2	Planet Gear Carrier	
45	70028389	2	Plug	
46	91514189	4	Bolt, Countersunk	
48	91514180	16	Stud	
49	91514181	2	O-Ring	
51	91514183	20	Wheel Stud	
52	70029454	2	Planet Gear Carrier Assembly	
53	91514089	2	O-Ring	
54	70029851	1	Axle Case	
61	7029311	4	Spacer	
62	70029488	1	Steering Case Assembly (LF)	
63	70029489	1	Steering Case Assembly (RF)	
66	70024146	2	Ring Gear Support Kit	
67	70028923	8	Tapered Roller Bearing	
68	70028922	8	Tapered Roller Bearing	
69	80204012	2	Plug	
73	70028392	2	Cover	

SECTION 5 - DRIVE TRAIN

ITEM	PART NUMBER	QTY	DESCRIPTION	REV
75	70023829	2	Cross Kit	
76	70023116	1	Center Body	
77	70029545	16	Nut	

SECTION 5 - DRIVE TRAIN

FIGURE 5-31. REAR AXLE - BRAKES



ART_1010278300-4

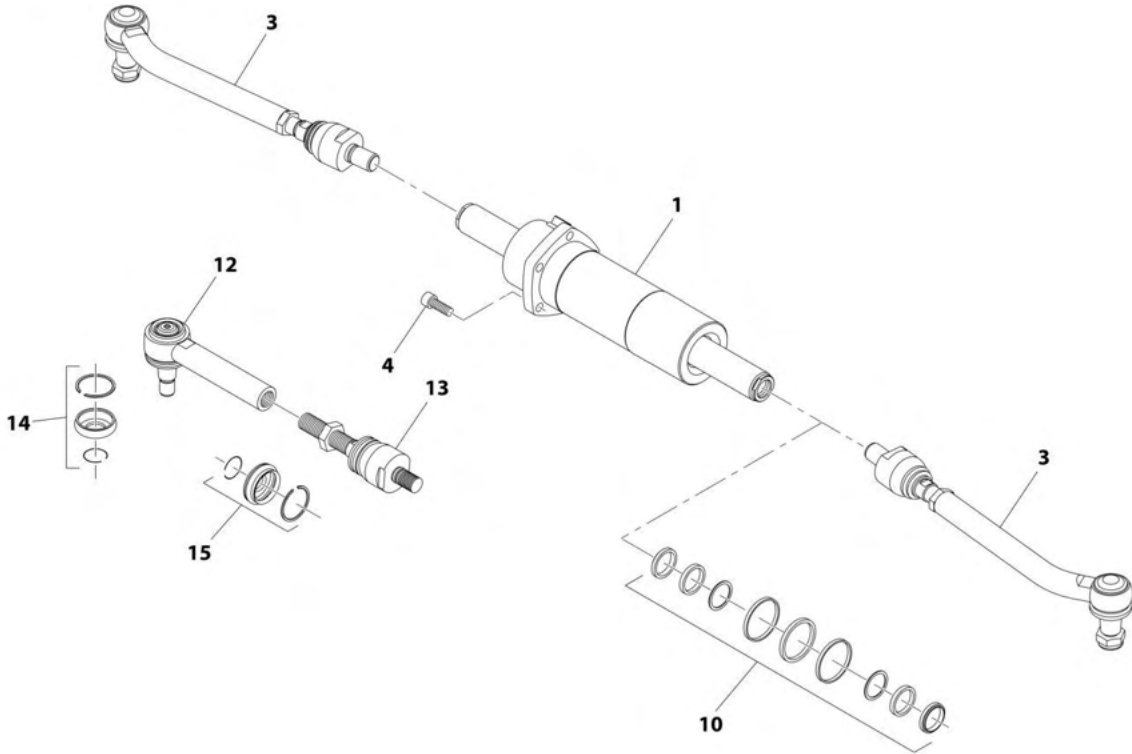
SECTION 5 - DRIVE TRAIN

FIGURE 5-31. REAR AXLE - BRAKES

ITEM	PART NUMBER	QTY	DESCRIPTION	REV
1	70026747	2	Seal	
3	70026748	2	Seal	
5	70024216	2	Piston	
6	70027317	6	Spring	
7	7029786	6	Adjusting Bolt	
8	91514159	6	Spring	
9	70024210	6	Adjusting Bolt	
10	70027022	4	Intermediate Brake Disc	
11	7029735	4	Brake Disc	
12	7029734	2	Reduction Bushing	
13	70029852	2	Spacer	
14	10725627	2	Bleeding Bolt	
15	80204117	2	Plug	
16	91514154	2	Bolt	
18	70021613	2	Pilot Body	

SECTION 5 - DRIVE TRAIN

FIGURE 5-32. REAR AXLE - STEERING



ART_1010278300-5

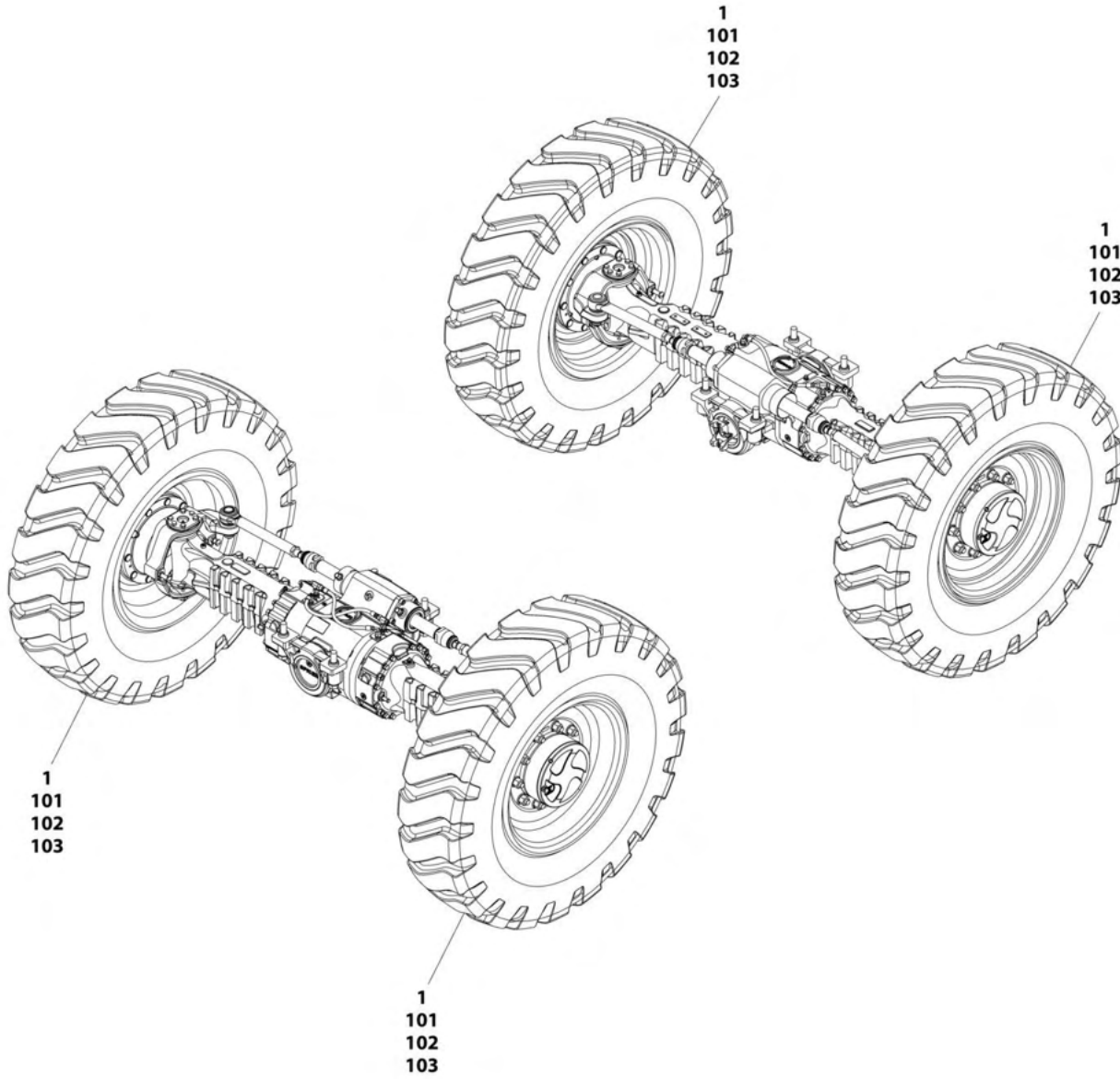
SECTION 5 - DRIVE TRAIN

FIGURE 5-32. REAR AXLE - STEERING

ITEM	PART NUMBER	QTY	DESCRIPTION	REV
1	70028947	1	Cylinder	
3	70028948	2	Tie Rod	
4	80204144	5	Cylinder Bolt	
10	7029127	1	Seal Kit	
12	70028949	1	Joint, 90	
13	70028950	1	Axial Joint Shaft	
14	70028951	1	Rubber Boot and Locking Ring Kit	
15	70028952	1	Rubber Boot and Locking Ring Kit	

SECTION 5 - DRIVE TRAIN

FIGURE 5-33. TIRE SET, 14.00-24 FOAM



ART_1001264713

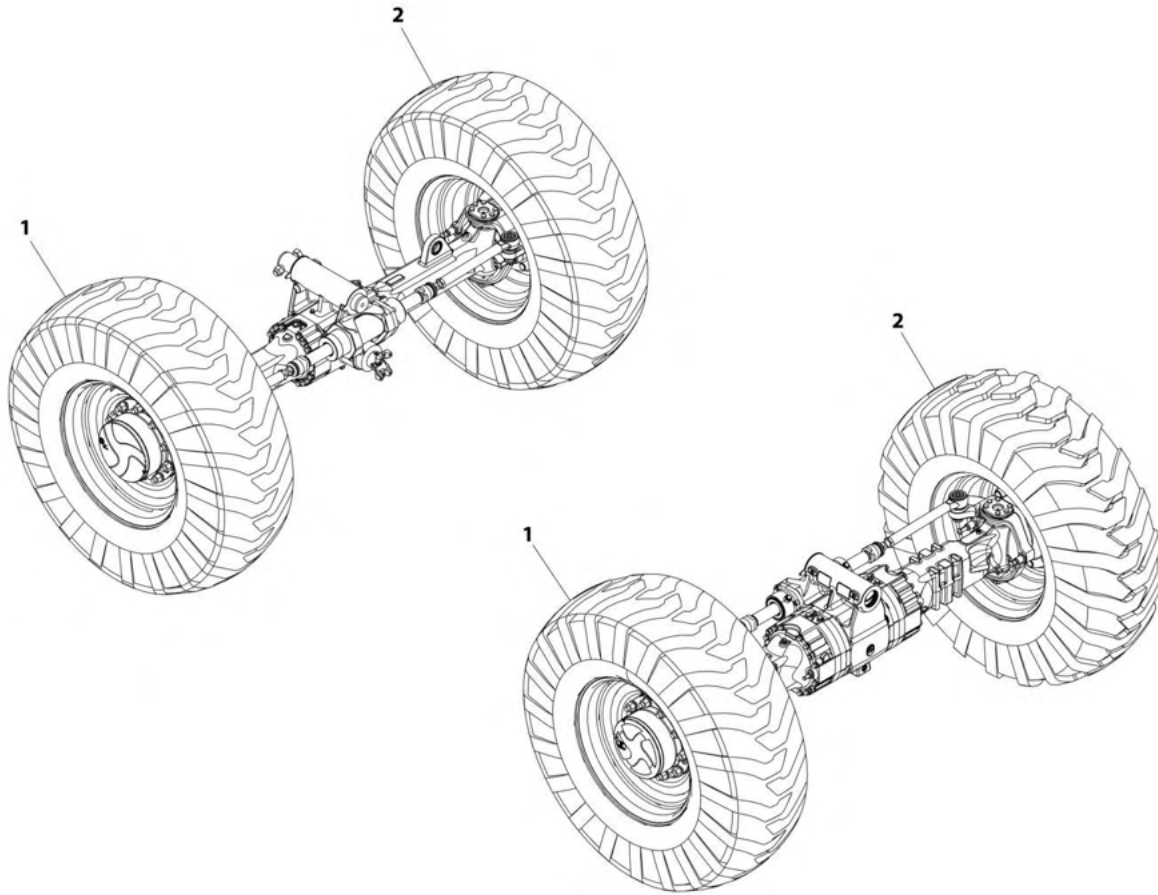
SECTION 5 - DRIVE TRAIN

FIGURE 5-33. TIRE SET, 14.00-24 FOAM

ITEM	PART NUMBER	QTY	DESCRIPTION	REV
	1001264713	Ref	TIRE WHEEL SET - 14.00-24 - FOAM	A
		Ref	Note: Assemblies require ballast/foam filling to manufacture's specifications prior to installing on machine. Refer to Operation & Safety or Service & Maintenance Manuals.	
		Ref	Purchase individual tire and/or wheel only if able to foam fill tire & wheel assembly, otherwise purchase complete assembly.	
1	1001264700	4	Tire and Wheel Assembly	
101	8786514	4	Valve, Air (1 per assembly)	
102	91473206	4	Wheel (1 per assembly)	
103	1001263011	4	Tire 14.00-24 (1 per assembly)	

SECTION 5 - DRIVE TRAIN

FIGURE 5-34. TIRE SET, 17.5-25 PNEUMATIC G-2



ART_1001222217-C

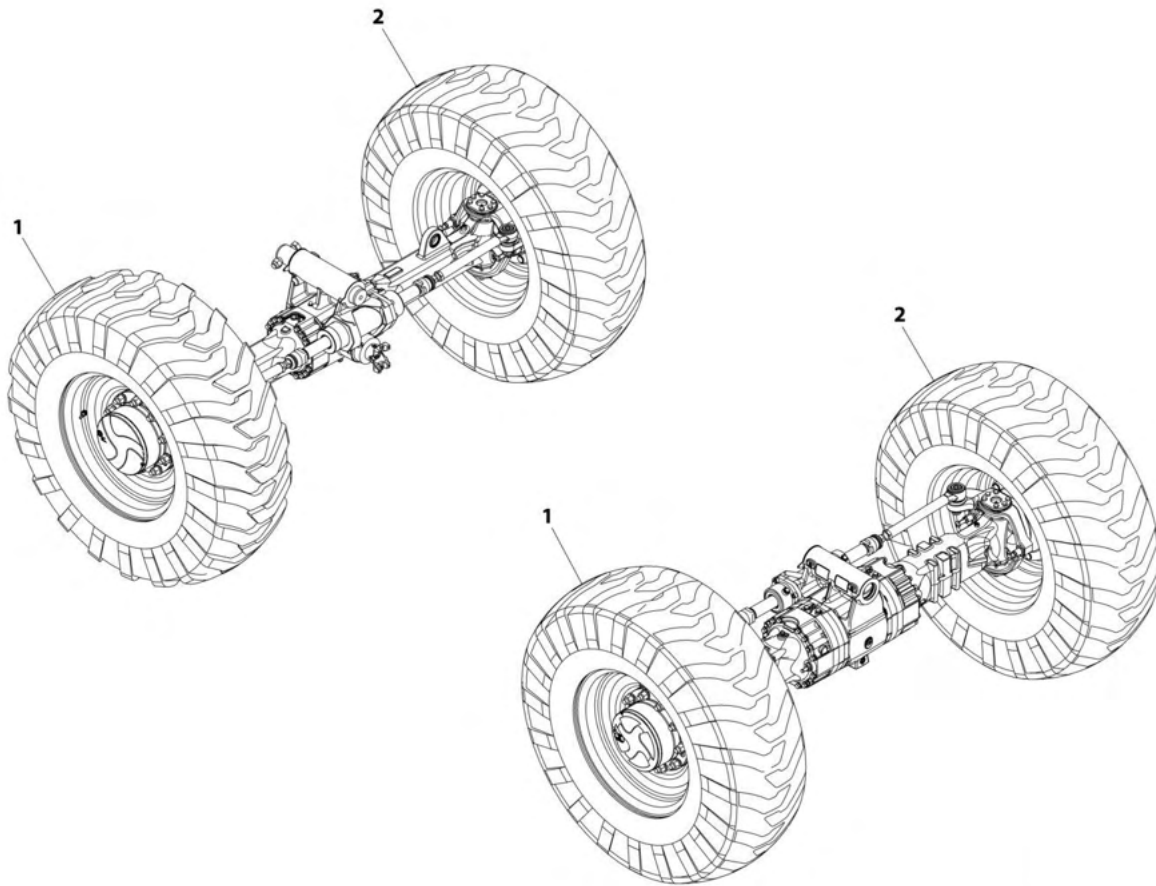
SECTION 5 - DRIVE TRAIN

FIGURE 5-34. TIRE SET, 17.5-25 PNEUMATIC G-2

ITEM	PART NUMBER	QTY	DESCRIPTION	REV
	1001222217	Ref	Tire Set, 17.5-25 Pneumatic	C
1	1001152415	2	Tire and Wheel Assembly (RH)	
1	91563250	2	Wheel (1 per assembly)	
1	8780039	2	Tire 17.2-25 16 Ply (1 per assembly)	
1	91083385	2	Valve, Air (1 per assembly)	
2	1001152416	2	Tire and Wheel Assembly (LH)	
2	91563250	2	Wheel (1 per assembly)	
2	8780039	2	Tire 17.2-25 16 Ply (1 per assembly)	
2	91083385	2	Valve, Air (1 per assembly)	

SECTION 5 - DRIVE TRAIN

FIGURE 5-35. TIRE SET, 17.5-25 FOAM G-2



ART_1001222218-C

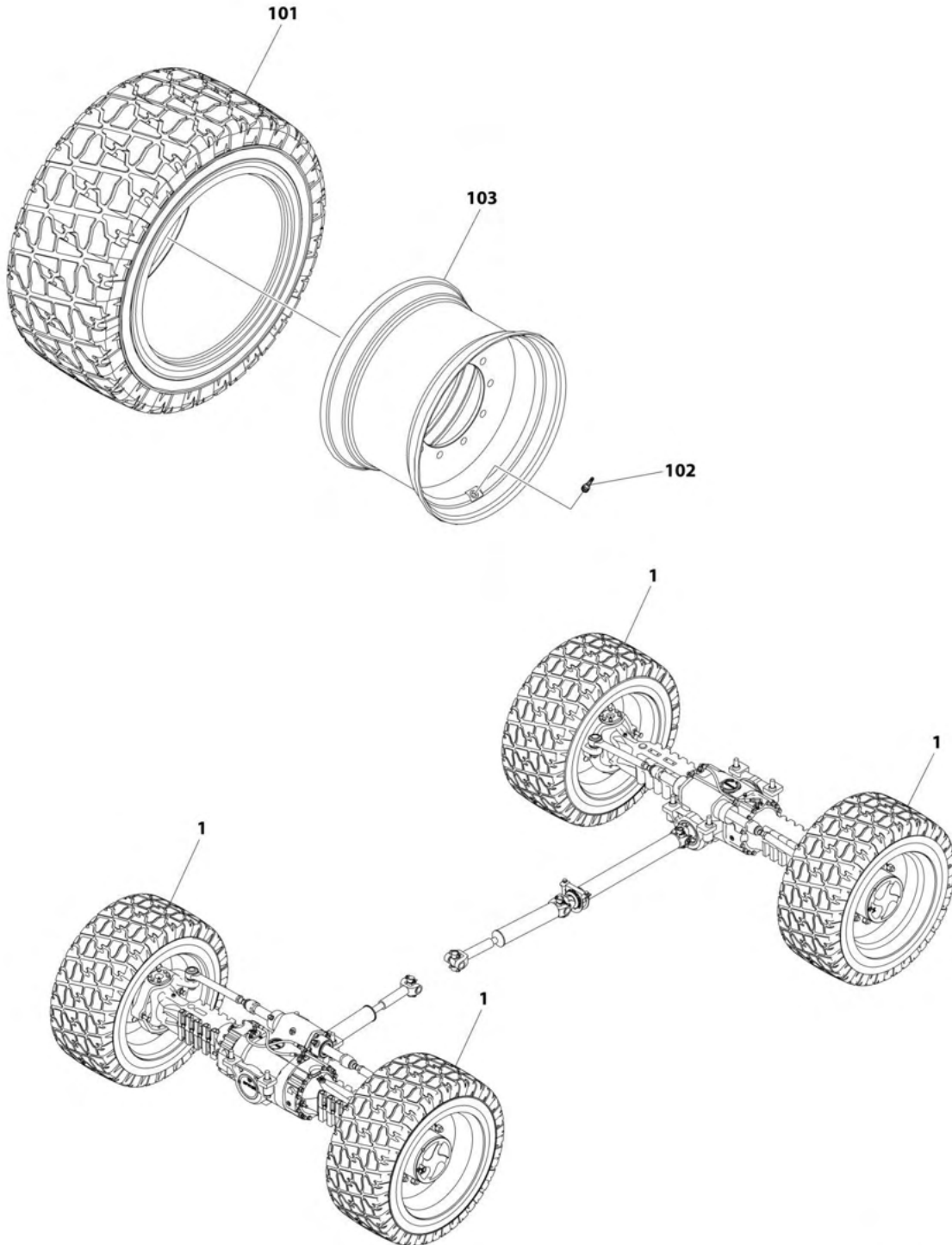
SECTION 5 - DRIVE TRAIN

FIGURE 5-35. TIRE SET, 17.5-25 FOAM G-2

ITEM	PART NUMBER	QTY	DESCRIPTION	REV
	1001222218	Ref	Tire Set, 17.5-25 Foam-Filled	C
		Ref	Note: Assemblies require ballast/foam filling to manufacture's specifications prior to installing on machine. Refer to Operation & Safety or Service & Maintenance Manuals.	
		Ref	Purchase individual tire and/or wheel only if able to foam fill tire & wheel assembly, otherwise purchase complete assembly.	
1	91565040	2	Tire and Wheel Assembly (RH)	
1	91563250	2	Wheel (1 per assembly)	
1	4520527	2	Tire 17.5-25 12 Ply (1 per assembly)	
1	91083385	2	Valve, Air (1 per assembly)	
2	91565039	2	Tire and Wheel Assembly (LH)	
2	91563250	2	Wheel (1 per assembly)	
2	4520527	2	Tire 17.5-25 12 Ply (1 per assembly)	
2	91083385	2	Valve, Air (1 per assembly)	

SECTION 5 - DRIVE TRAIN

FIGURE 5-36. TIRE SET, 18 X 625 TURF/SAND



ART_1001252986

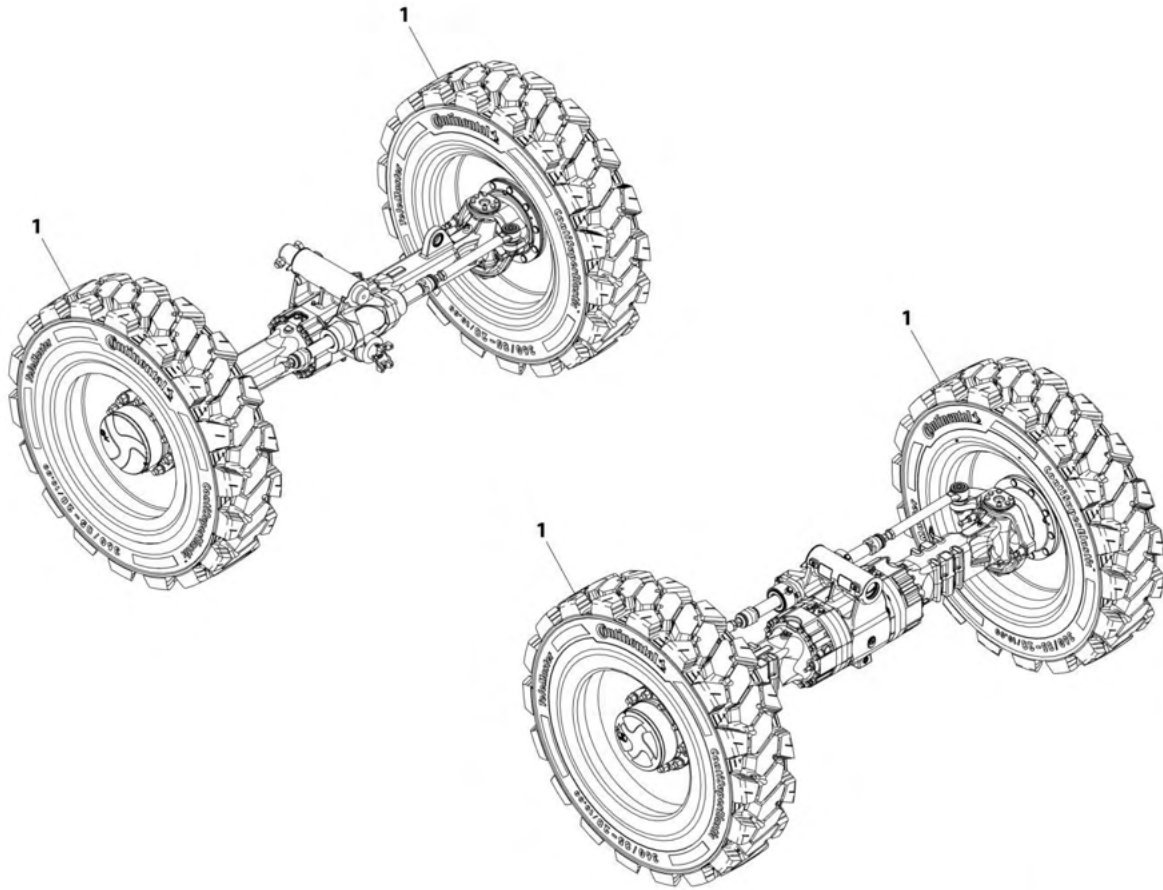
SECTION 5 - DRIVE TRAIN

FIGURE 5-36. TIRE SET, 18 X 625 TURF/SAND

ITEM	PART NUMBER	QTY	DESCRIPTION	REV
	1001252986	Ref	TIRE SET - 18 X 625 (TURF AND SAND PNEUMATIC)	A
1	1001259635	4	Tire and Wheel Assembly	
101	4520356	4	Tire - 18 x 625 Turf/Sand (1 per assembly)	
102	4641122	4	Valve, Air (1 per assembly)	
103	1001246001	4	Wheel (1 per assembly)	

SECTION 5 - DRIVE TRAIN

FIGURE 5-37. TIRE SET, 360/85-28 SOLID



ART_1001222221-C

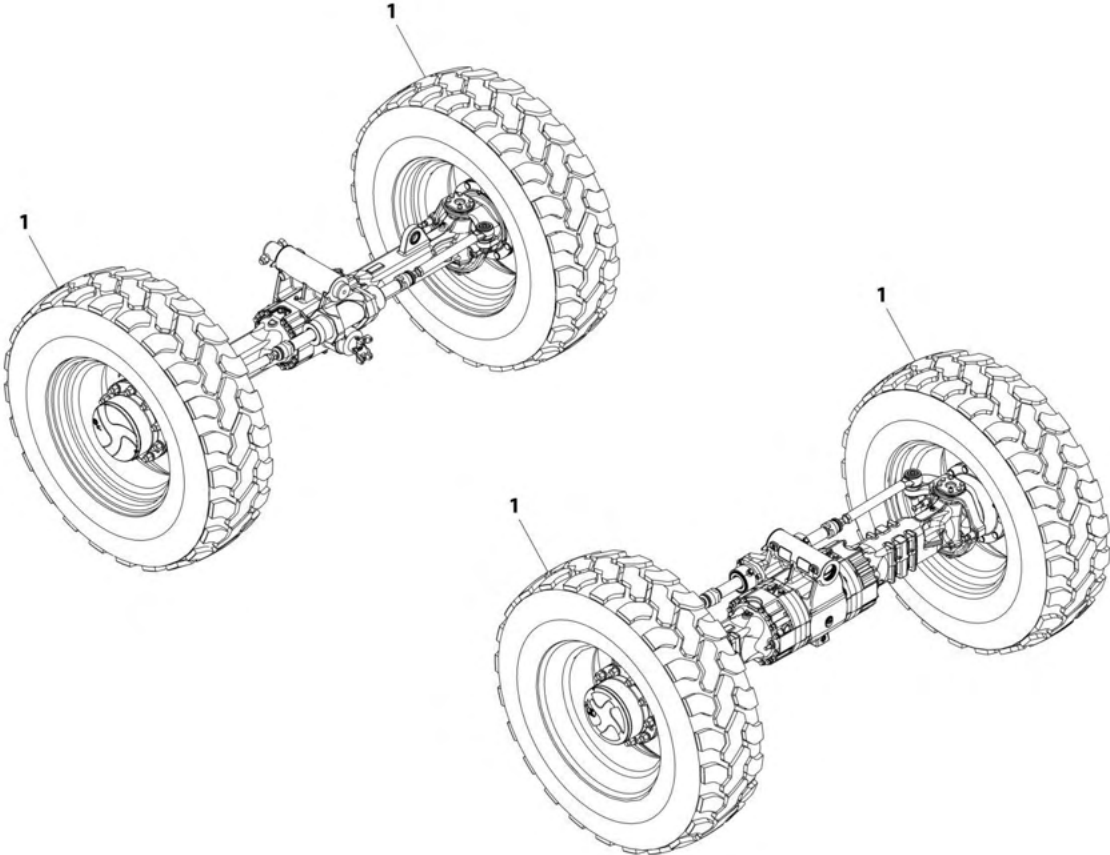
SECTION 5 - DRIVE TRAIN

FIGURE 5-37. TIRE SET, 360/85-28 SOLID

ITEM	PART NUMBER	QTY	DESCRIPTION	REV
1	1001222221	Ref	Tire Set, 360/85-28 Solid	C
	1001213200J	4	Tire, 360/85-28 Solid	

SECTION 5 - DRIVE TRAIN

FIGURE 5-38. TIRE SET, 400/75-28 PNEUMATIC



ART_1001222219-B

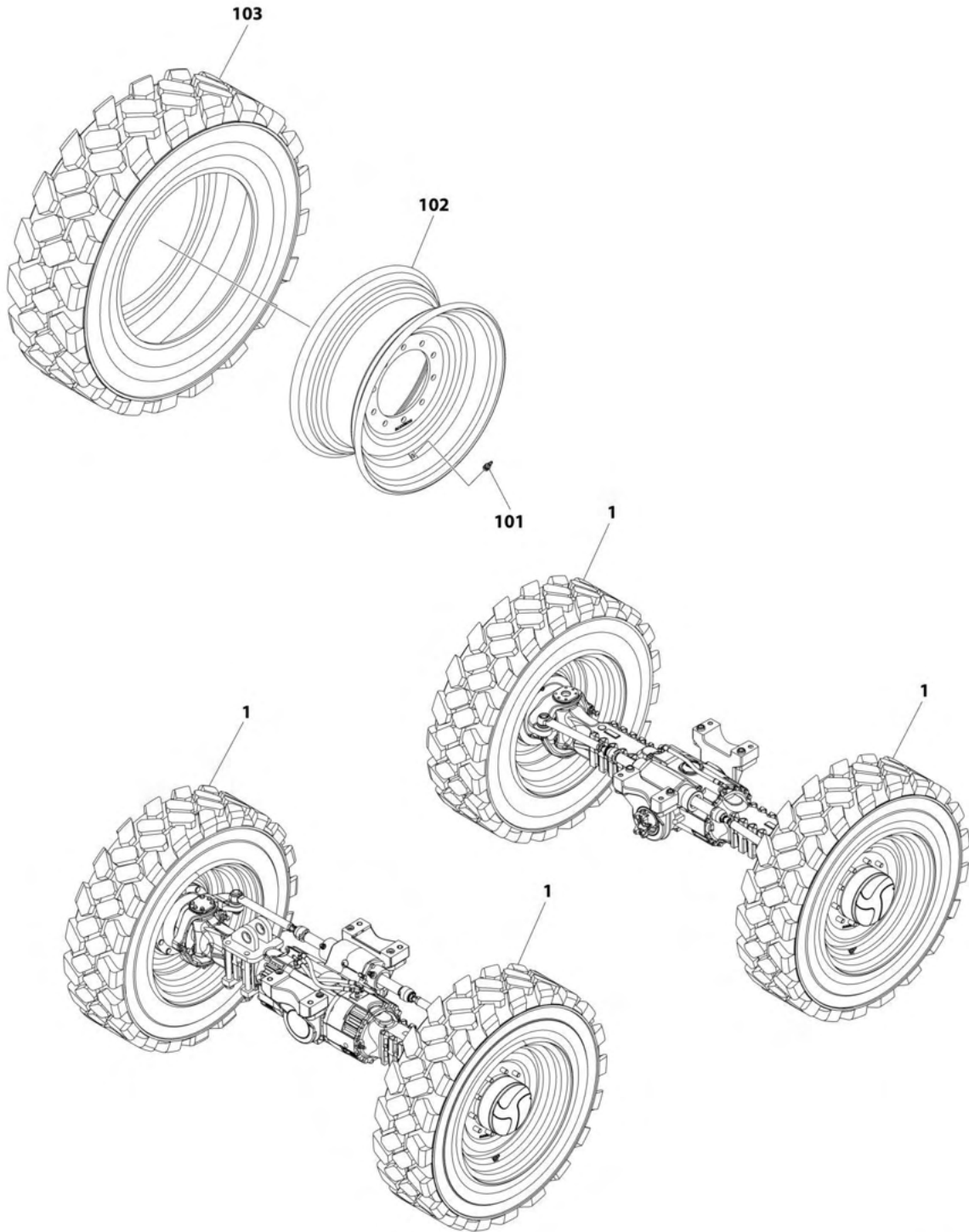
SECTION 5 - DRIVE TRAIN

FIGURE 5-38. TIRE SET, 400/75-28 PNEUMATIC

ITEM	PART NUMBER	QTY	DESCRIPTION	REV
	1001222219	Ref	Tire Set, 400/75-28 Pneumatic	B
1	1001121103	4	Tire and Wheel Assembly	
1	8786514	4	Valve, Air (1 per assembly)	
1	1001120178	4	Wheel (1 per assembly)	
1	1001120179	4	Tire 400/75-28 (1 per assembly)	

SECTION 5 - DRIVE TRAIN

FIGURE 5-39. TIRE SET, 400/75-28 PNEUMATIC (NON-MARKING)



ART_1001241848

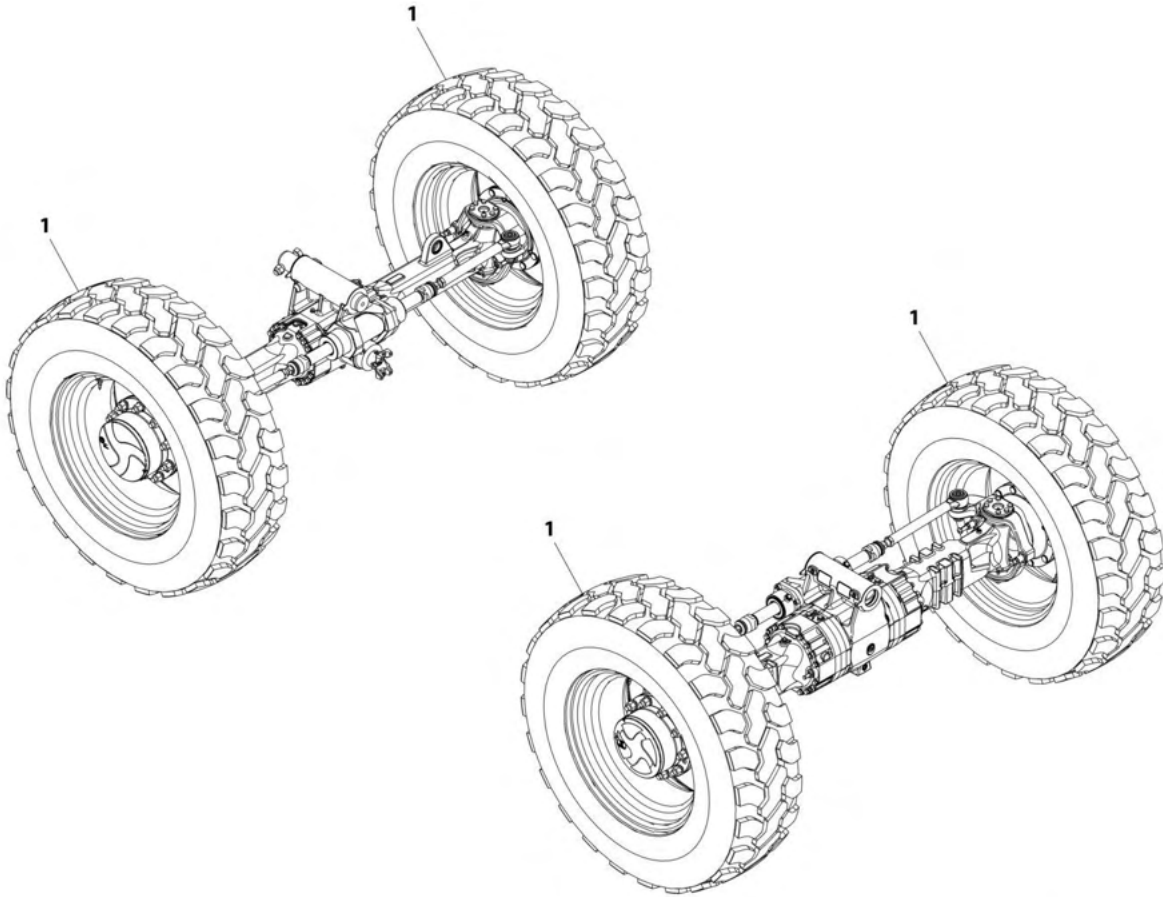
SECTION 5 - DRIVE TRAIN

FIGURE 5-39. TIRE SET, 400/75-28 PNEUMATIC (NON-MARKING)

ITEM	PART NUMBER	QTY	DESCRIPTION	REV
	1001241848	Ref	TIRE/WHEEL SET - 400/75-28 - PNEUMATIC NON MARKING	A
1	1001241841	4	Assembly, Tire and Wheel - 400/75-28 - Pneumatic Non-Marking	
101	8786514	4	Valve, Air (1 per assembly)	
102	1001120178	4	Wheel (1 per assembly)	
103	1001241837	4	Tire 400/75-28 Non-Marking (1 per assembly)	

SECTION 5 - DRIVE TRAIN

FIGURE 5-40. TIRE SET, 400/75-28 FOAM



ART_1001222220-B

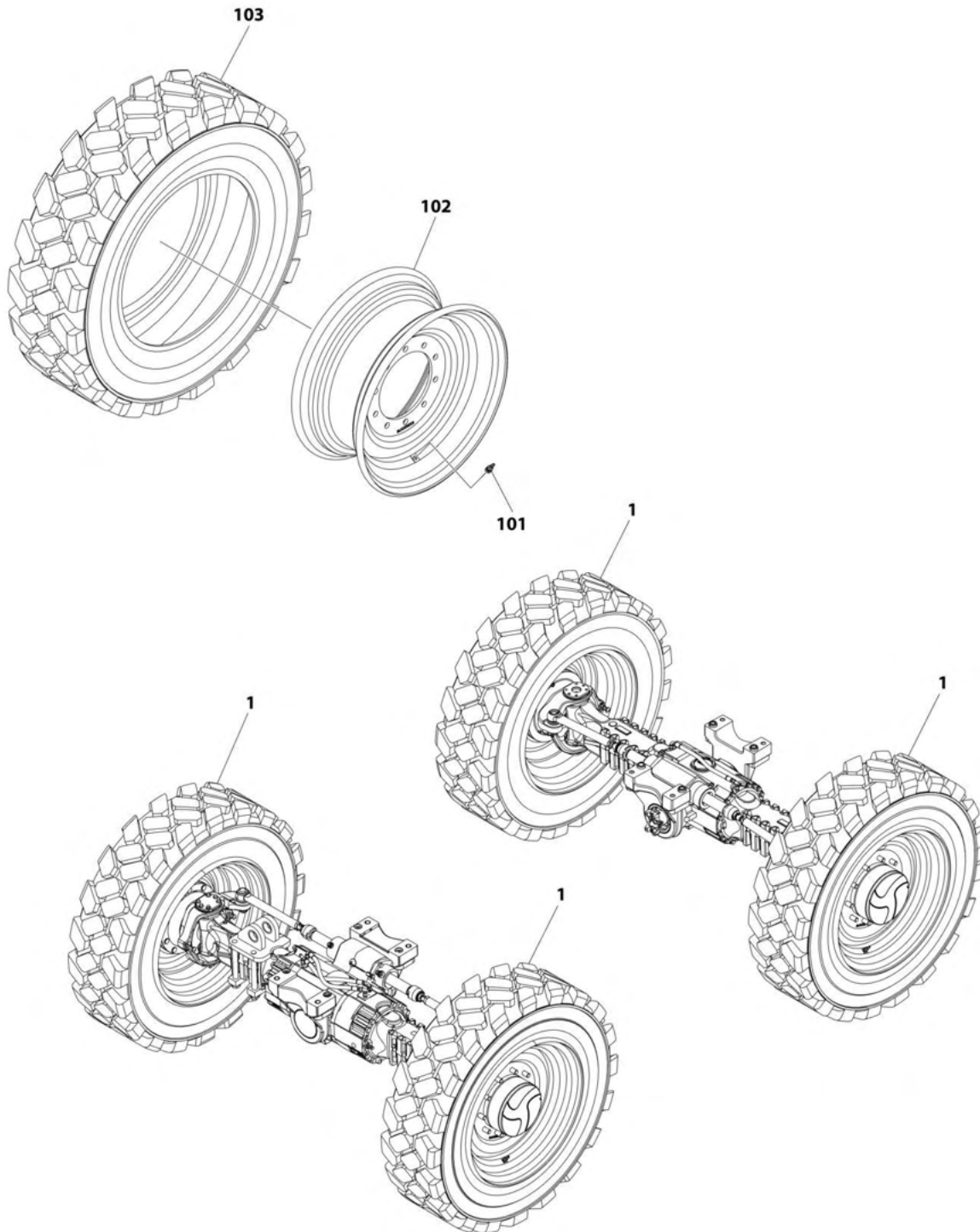
SECTION 5 - DRIVE TRAIN

FIGURE 5-40. TIRE SET, 400/75-28 FOAM

ITEM	PART NUMBER	QTY	DESCRIPTION	REV
	1001222220	Ref	Tire Set, 400/75-28 Foam-Filled	B
		Ref	Note: Assemblies require ballast/foam filling to manufacture's specifications prior to installing on machine. Refer to Operation & Safety or Service & Maintenance Manuals.	
		Ref	Purchase individual tire and/or wheel only if able to foam fill tire & wheel assembly, otherwise purchase complete assembly.	
1	1001121105	4	Tire and Wheel Assembly	
1	8786514	4	Valve, Air (1 per assembly)	
1	1001120178	4	Wheel (1 per assembly)	
1	1001120179	4	Tire 400/75-28 (1 per assembly)	

SECTION 5 - DRIVE TRAIN

FIGURE 5-41. TIRE SET, 400/75-28 FOAM (NON-MARKING)



ART_1001241849

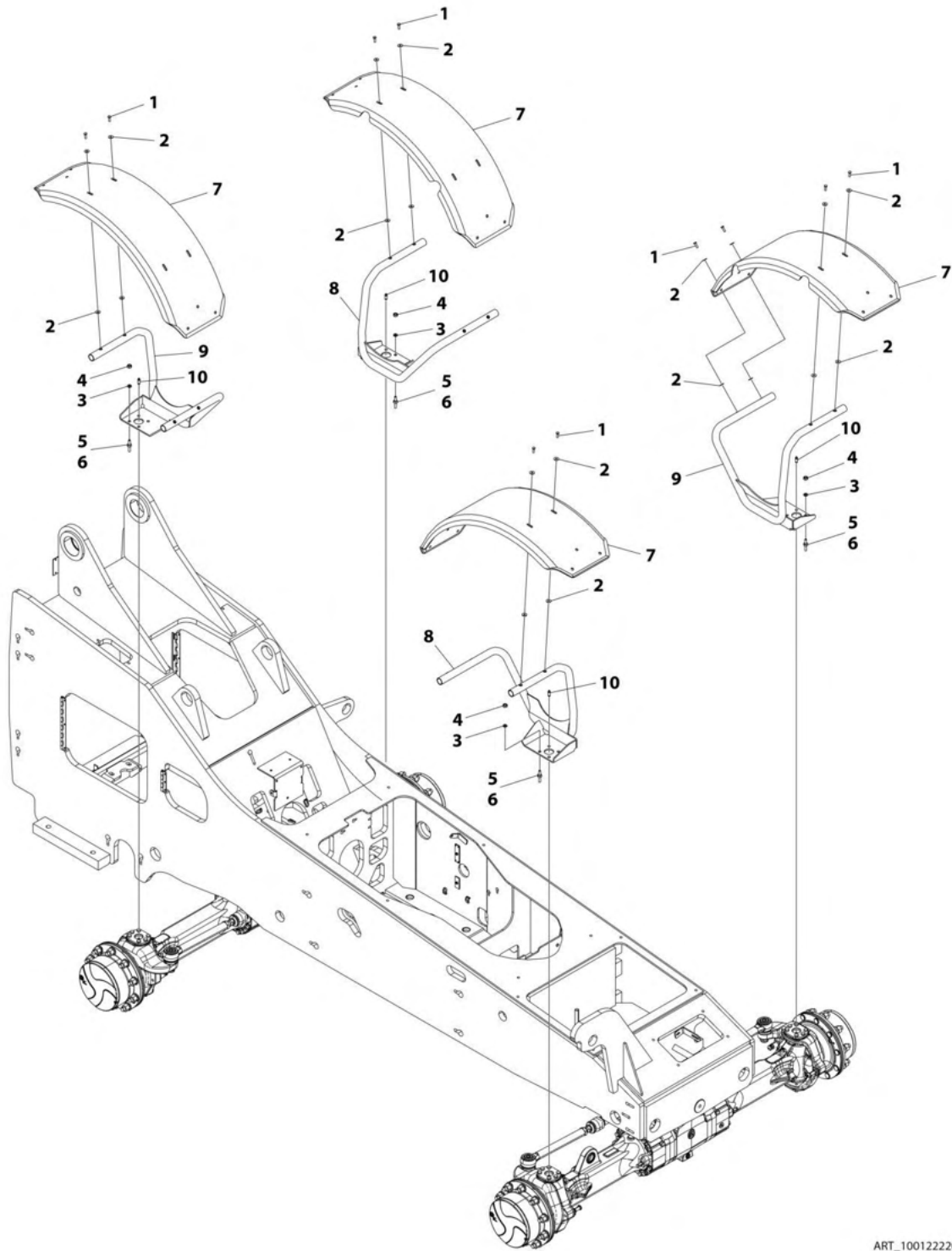
SECTION 5 - DRIVE TRAIN

FIGURE 5-41. TIRE SET, 400/75-28 FOAM (NON-MARKING)

ITEM	PART NUMBER	QTY	DESCRIPTION	REV
	1001241849	Ref	TIRE/WHEEL SET 400/75-28 - FOAM FILLED NON MARKING	A
		Ref	Note: Assemblies require ballast/foam filling to manufacture's specifications prior to installing on machine. Refer to Operation & Safety or Service & Maintenance Manuals.	
		Ref	Purchase individual tire and/or wheel only if able to foam fill tire & wheel assembly, otherwise purchase complete assembly.	
1	1001241842	4	Tire and Wheel Assembly	
101	8786514	4	Valve, Air (1 per assembly)	
102	1001120178	4	Wheel (1 per assembly)	
103	1001241837	4	Tire 400/75-28 Non-Marking (1 per assembly)	

SECTION 5 - DRIVE TRAIN

FIGURE 5-42. FENDER INSTALLATION



ART_1001222200

SECTION 5 - DRIVE TRAIN

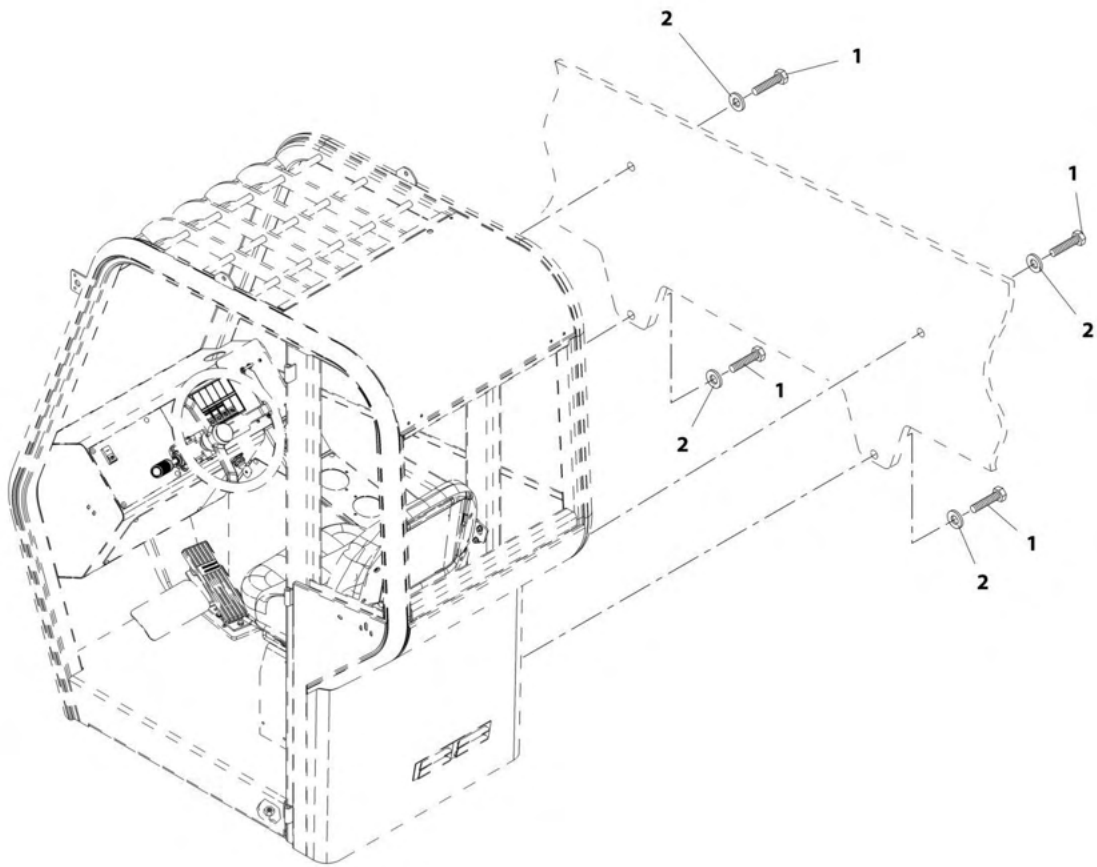
FIGURE 5-42. FENDER INSTALLATION

ITEM	PART NUMBER	QTY	DESCRIPTION	REV
	1001222200	Ref	Fender Installation	D
1	0760812	16	Capscrew, M8X25	
2	4811902	32	Washer	
3	83191010	16	Washer, Lock M12	
4	91513266	16	Nut, M12	
5	91514118	16	Stud, Fender	
6	1001095650	AR	Adhesive	
7	1001154055	4	Fender	
8	1001222203	2	Bracket, Fender	
9	1001222717	2	Bracket, Fender	
10	1001225317	4	Fitting, Grease	

SECTION 6 - CAB

SECTION 6 - CAB

FIGURE 6-1. CAB INSTALLATION



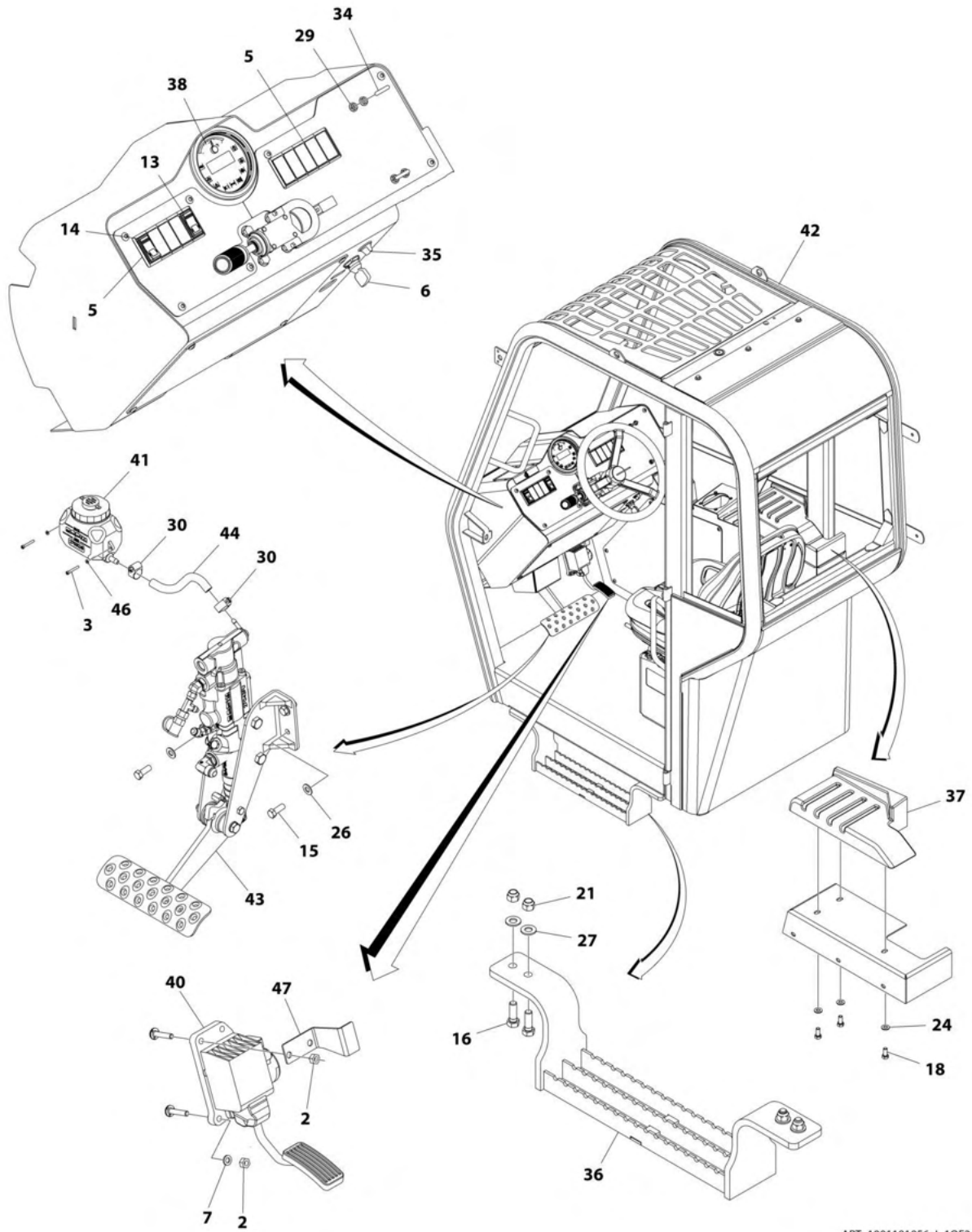
ART_713882_AA

FIGURE 6-1. CAB INSTALLATION

ITEM	PART NUMBER	QTY	DESCRIPTION	REV
	7138882	Ref	Cab Installation	AA
1	8310493	4	Bolt, 7/8-9X5-1/2, Grade 8	
2	8307011	4	Washer, Lock 7/8	

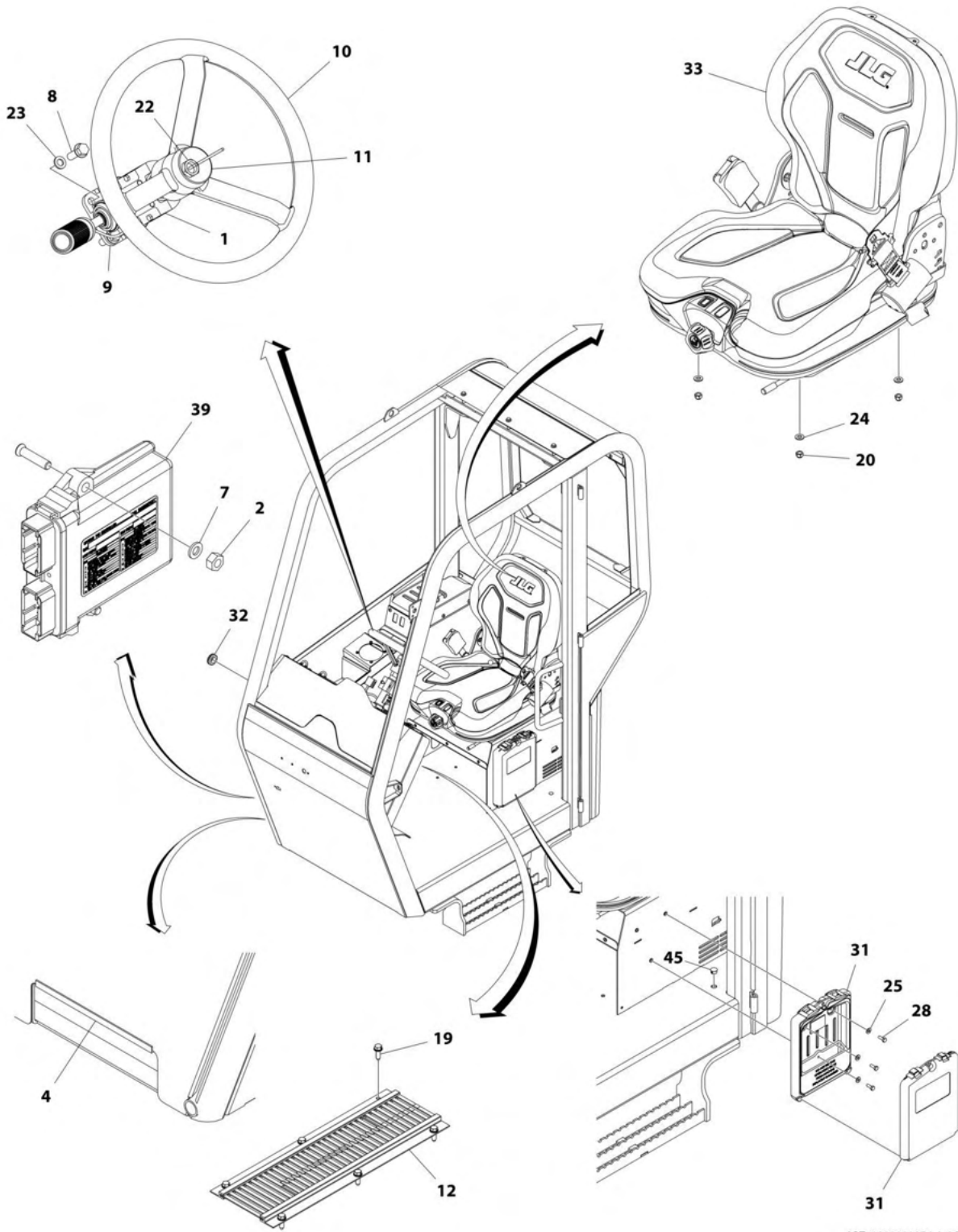
SECTION 6 - CAB

FIGURE 6-2. OPEN CAB INSTALLATION



ART_1001181956_L_10F2

SECTION 6 - CAB



ART_1001181956_L_20F2

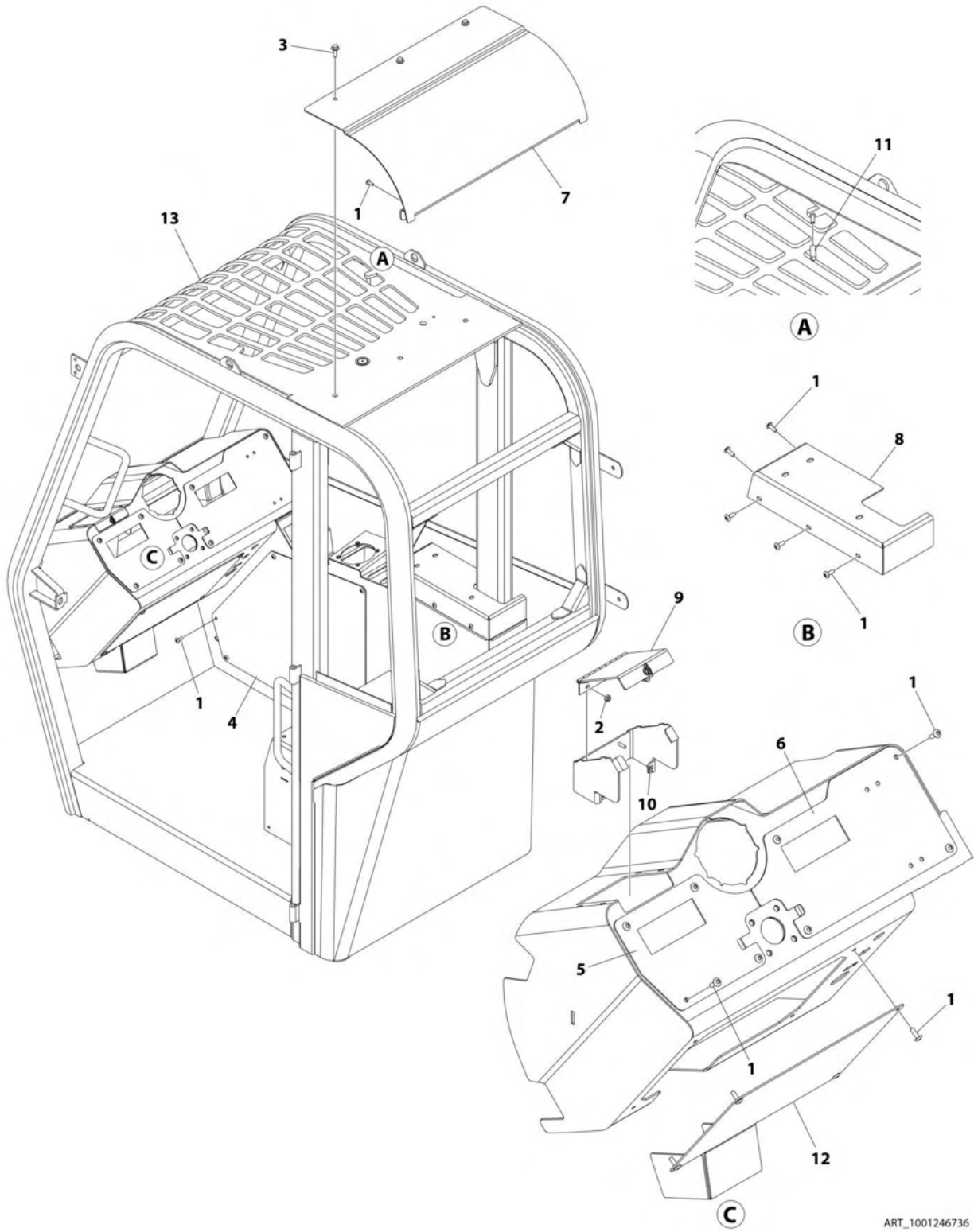
SECTION 6 - CAB

FIGURE 6-2. OPEN CAB INSTALLATION

ITEM	PART NUMBER	QTY	DESCRIPTION	REV
	1001181956	Ref	OPEN CAB INSTALLATION	I
1	1600429	1	Selector, Transmission Control	
2	3311401	5	Nut 1/4	
3	3930610	2	Bolt #6 x 5/8	
4	4060806	11 in	Flex-Trim	
5	4360569	2	Switch, Bezel	
6	4360690	1	Switch, Ignition	
6	8035807	1	Key (with cover)	
7	4761400	3	Washer 1/4	
8	5251014	4	Bolt M10 x 30	
9	7138833	1	Column, Steering	
10	7138836	1	Wheel, Steering	
11	7138878	1	Button, Horn	
12	7138944	2	Strips, Brush	
13	8223037	1	Switch, Steer Select	
14	8223054	1	Switch, Park Brake	
15	8303620	4	Bolt 3/8 x 1	
16	8303626	4	Bolt 1/2 x 1-1/2	
18	8303697	3	Bolt 5/16 x 3/4	
19	8303982	6	Screw 1/4 x 3/4	
20	8305626	4	Nut 5/16	
21	8305644	4	Nut 1/2	
22	8305916	1	Nut, Steering Column	
23	8307023	4	Washer M10	
24	8307106	7	Washer 5/16	
25	8307109	3	Washer 1/4	
26	8307110	4	Washer 3/8	
27	8307112	4	Washer 1/2	
28	8310026	3	Bolt 1/4 x 3/4	
29	8310382	8	Nut 1/4	
30	1320022	2	Clamp, Fuel Line	
31	8990147	1	Holder, Manual	
32	1001081049	1	Grommet, Split	
33	1001190229	1	Seat, Cab (See Separate Breakdown in this Section)	
34	1001102844	2	U-Bolt 1/4 x 1-1/4	
35	1001114867	1	Socket, 12V Power Point	
36	1001256519	1	Mount, Cab Step	
37	1001159878	1	Support, Armrest	
38	1001170738	1	Gauge	
39	1001210703	1	Controller	
40	1001264554	1	Accelerator (Note: No Serviceable Parts - Purchase Complete Assembly)	
41	1001183164	1	Reservoir, Brake Valve	
42	1001246736	1	Cab, Open (See Separate Breakdown in this Section)	
43	1001223052	1	Assembly, Brake (See Separate Breakdown in CONTROLS Section)	
44	1001201658	1	Hose	
45	1001207963	1	Plug, 5/8	
46	4710600	2	Washer	
47	1001265914	1	Cover, Pedal	

SECTION 6 - CAB

FIGURE 6-3. OPEN CAB



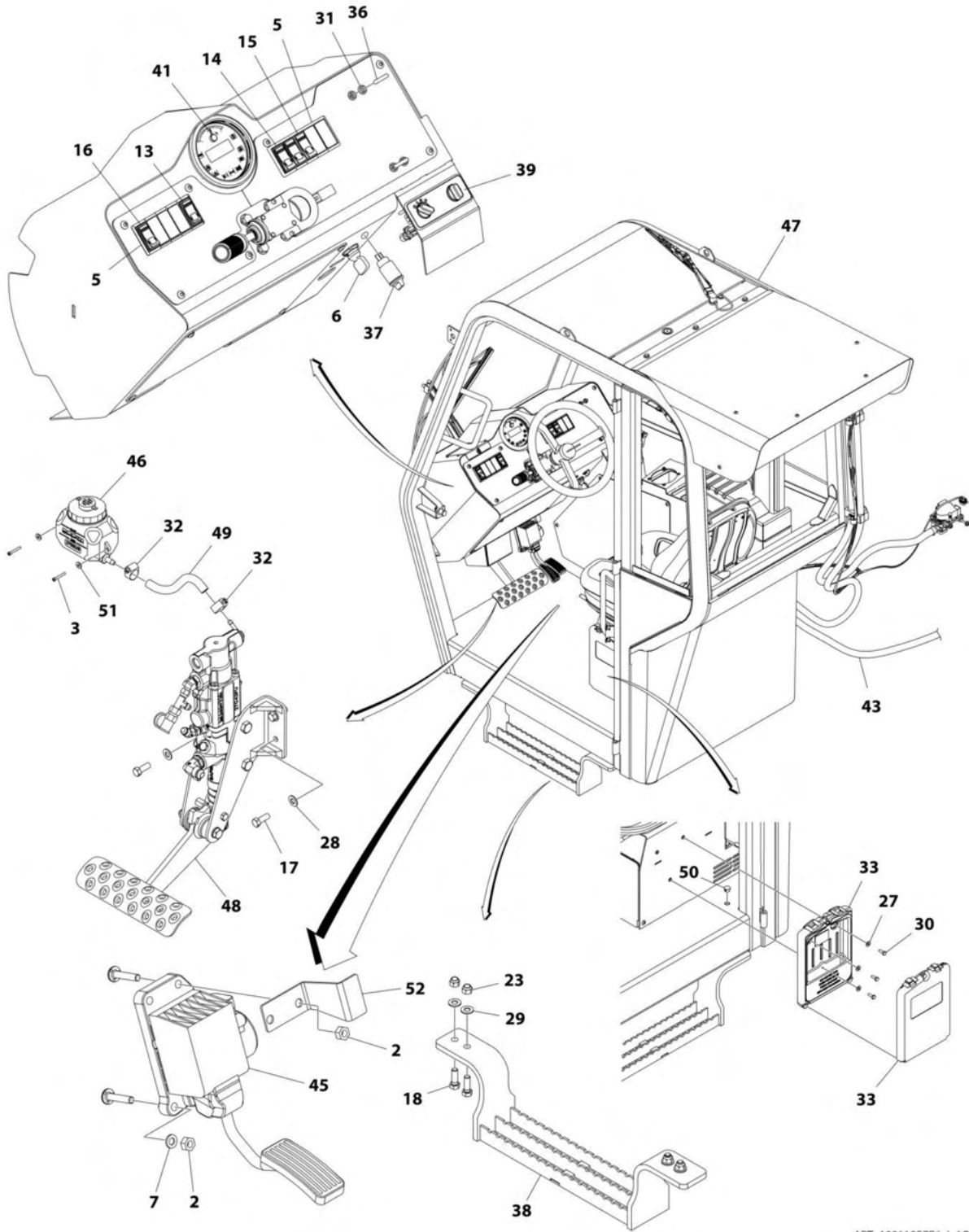
ART_1001246736

FIGURE 6-3. OPEN CAB

ITEM	PART NUMBER	QTY	DESCRIPTION	REV
	1001246736	Ref	CAB OPEN	C
1	8303034	25	Screw 1/4 x 3/4	
2	8310085	2	Nut M10	
3	1001149227	3	Screw 5/16 x 1	
4	1001160788	1	Panel, RH Console Access Plate	
5	1001160790	1	Panel, LH Dash Cover	
6	1001160791	1	Panel, RH Dash Cover	
7	1001160815	1	Panel, Roof Cover	
8	1001165617	1	Assembly, Side Console Access Panel	
9	1001202189	1	Door, Brake Reservoir	
10	1001202202	2	Nut	
11	1001202615	2	Cap, Silicon Stud Cover	
12	1001202746	1	Panel, Brake Access Plate	
13	1001246735	1	Cab Weldment	

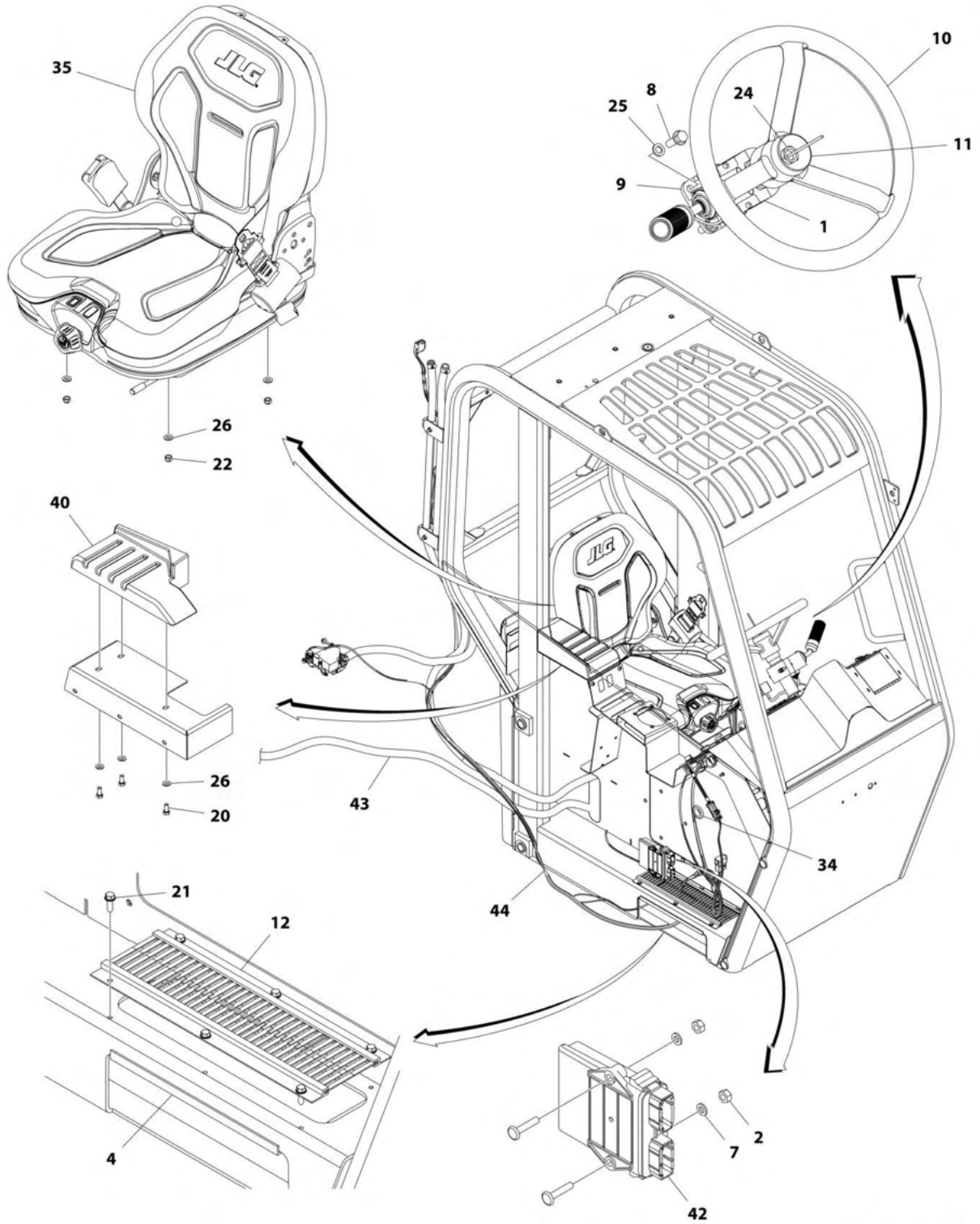
SECTION 6 - CAB

FIGURE 6-4. ENCLOSED CAB WITH HEATER/AC INSTALLATION



ART_1001185776_1_10F2

SECTION 6 - CAB



ART_1001185776_I_2OF2

SECTION 6 - CAB

FIGURE 6-4. ENCLOSED CAB WITH HEATER/AC INSTALLATION

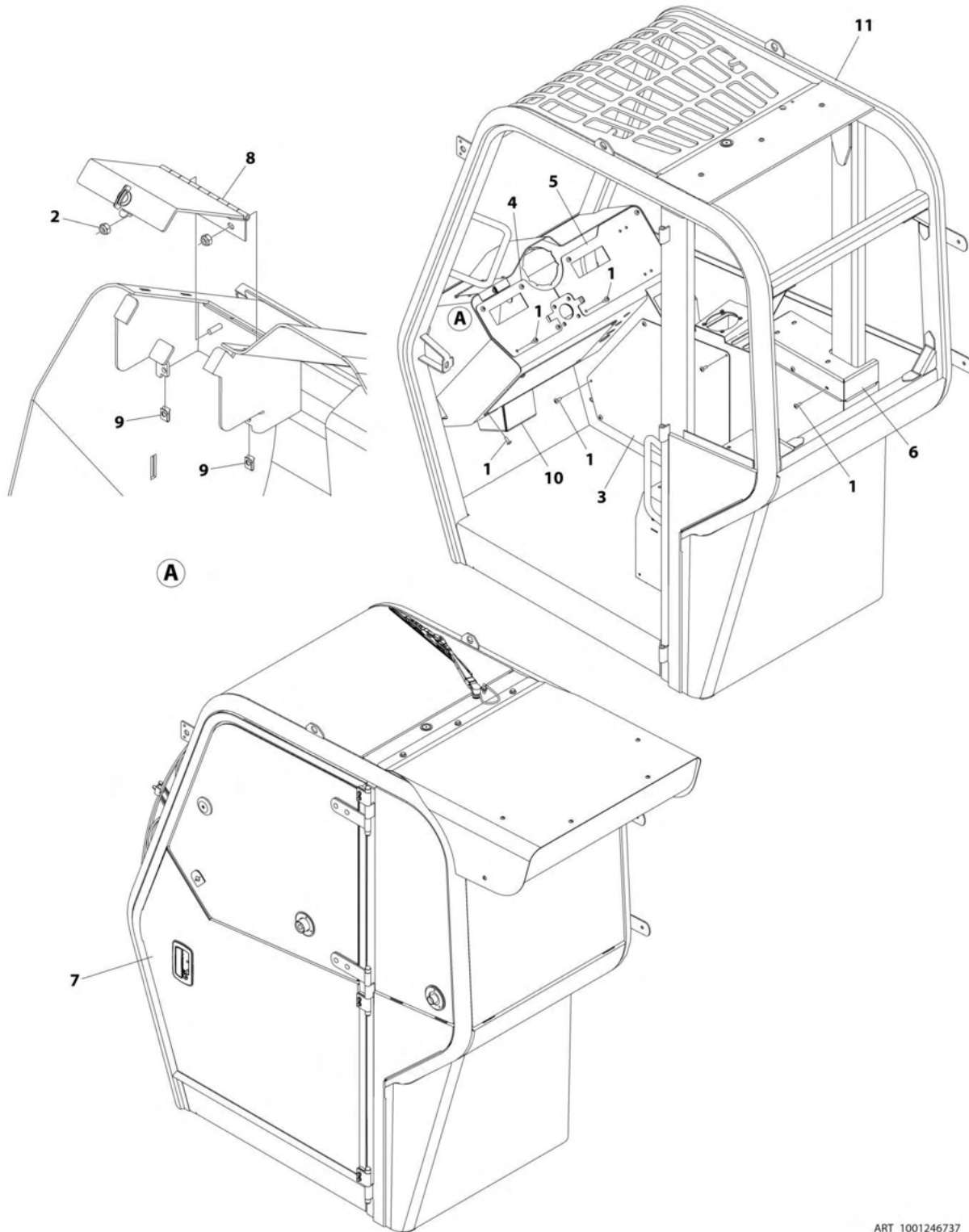
ITEM	PART NUMBER	QTY	DESCRIPTION	REV
	1001185776	Ref	ENCLOSED CAB WITH HEATER INSTALLATION	I
1	1600429	1	Selector, Transmission Control	
2	3311401	5	Nut 1/4	
3	3930610	2	Bolt 6 x 5/8	
4	4060806	11 in	Shield, Flex Trim, 5/16	
5	4360569	2	Switch, Bezel	
6	4360690	1	Switch, Ignition	
6	8035807	1	Key (with cover)	
7	4761400	3	Washer 1/4	
8	5251014	4	Bolt M10 x 30	
9	7138833	1	Column, Steering	
10	7138836	1	Wheel, Steering	
11	7138878	1	Button, Horn	
12	7138944	2	Strips, Brush	
13	8223037	1	Switch, Steer Select	
14	8223043	2	Switch, Windscreen Wiper	
15	8223044	1	Switch, Windscreen Washer	
16	8223054	1	Switch, Park Brake	
17	8303620	4	Bolt 3/8 x 1	
18	8303626	4	Bolt 1/2 x 1-1/2	
20	8303697	3	Bolt 5/16 x 3/4	
21	8303982	6	Screw 1/4 x 3/4	
22	8305626	4	Nut 5/16	
23	8305644	4	Nut 1/2	
24	8305916	1	Nut, Steering Column	
25	8307023	4	Washer M10	
26	8307106	7	Washer 5/16	
27	8307109	3	Washer 1/4	
28	8307110	4	Washer 3/8	
29	8307112	4	Washer 1/2	
30	8310026	3	Bolt 1/4 x 3/4	
31	8310382	8	Nut 1/4	
32	1320022	2	Clamp, Fuel Line	
33	8990147	1	Holder, Manual	
34	1001081049	1	Grommet, Split	
35	1001190229	1	Seat, Cab (See Separate Breakdown in this Section)	
36	1001102844	2	Bolt 1/4 x 1-1/4	
37	1001114867	1	Socket, 12V Power Point	
38	1001256519	1	Mount, Cab Step	
39	1001159850	1	Panel, Heater Control	
40	1001159878	1	Support, Armrest	
41	1001170738	1	Gauge	
42	1001210703	1	Controller	
43	1001171807	1	Installation, Cab Heater Lines (See Separate Breakdown in this Section)	
44	1001178347	1	Harness, HVAC (See Separate Breakdown in ELECTRICAL Section)	
45	1001264554	1	Accelerator (Note: No Serviceable Parts - Purchase Complete Assembly)	
46	1001183164	1	Reservoir, Brake Valve	

SECTION 6 - CAB

ITEM	PART NUMBER	QTY	DESCRIPTION	REV
47	1001246737	1	Cab, Enclosed with Heater (See Separate Breakdown in this Section)	
48	1001223052	1	Assembly, Brake (See Separate Breakdown in CONTROLS Section)	
49	1001201658	1	Hose	
50	1001207963	1	Plug, 5/8	
51	4710600	2	Washer #6	
52	1001265914	1	Cover, Pedal	

SECTION 6 - CAB

FIGURE 6-5. CAB, ENCLOSED WITH HEATER



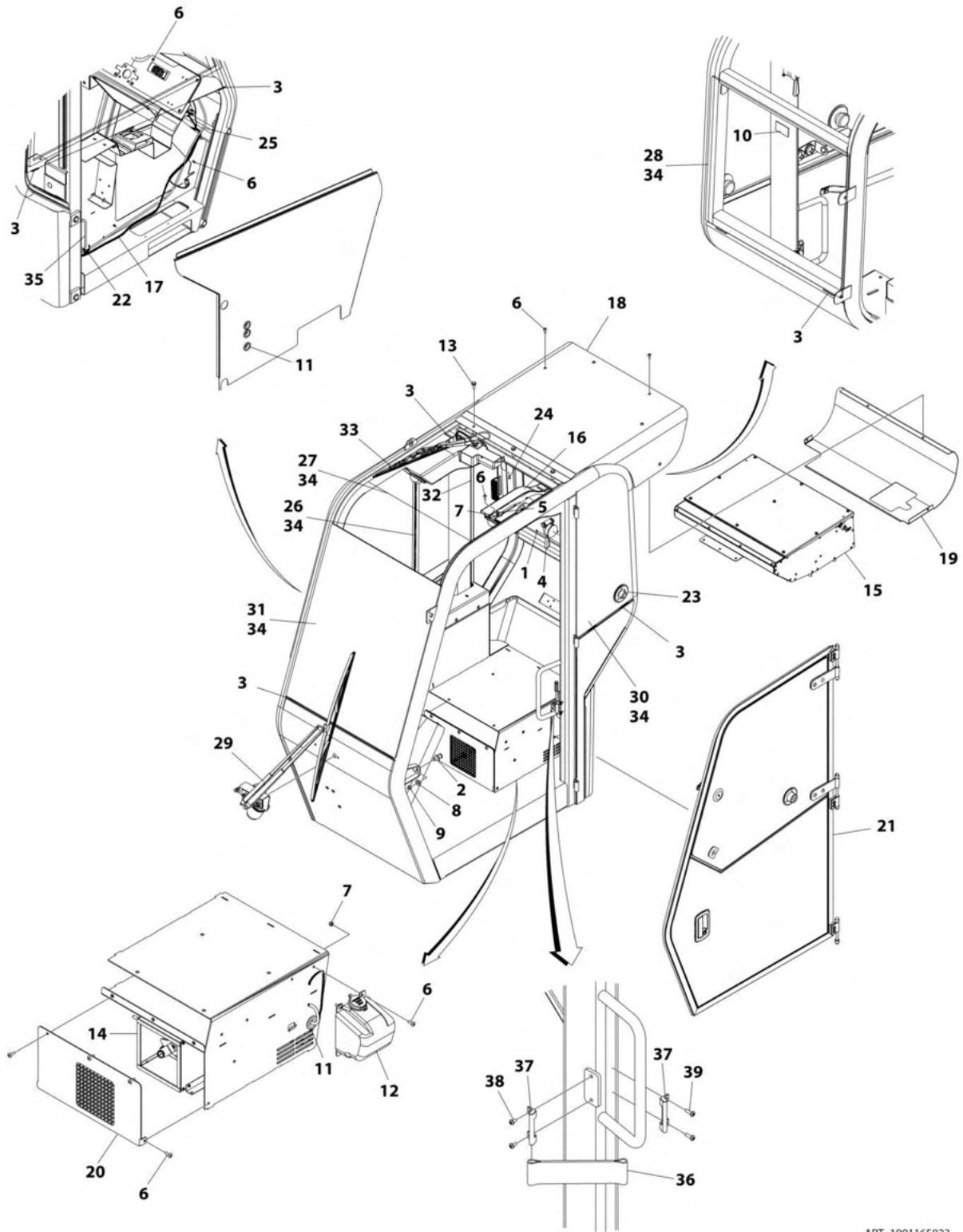
ART_1001246737

FIGURE 6-5. CAB, ENCLOSED WITH HEATER

ITEM	PART NUMBER	QTY	DESCRIPTION	REV
	1001246737	Ref	CAB ENCLOSED WITH HEATER	F
1	8303034	22	Screw 1/4 x 3/4	
2	8310085	2	Nut	
3	1001160788	1	Panel, RH Console Access Plate	
4	1001160790	1	Panel, LH Dash Cover	
5	1001160791	1	Panel, RH Dash Cover	
6	1001165617	1	Assembly, Side Console Access Panel	
7	1001165823	1	Enclosure, Cab (See Separate Breakdown in this Section)	
8	1001202189	1	Door, Brake Reservoir	
9	1001202202	2	Nut	
10	1001202746	1	Panel, Brake Access Plate	
11	See Note	NSS	Cab (Purchase Complete Assembly)	

SECTION 6 - CAB

FIGURE 6-6. CAB ENCLOSURE



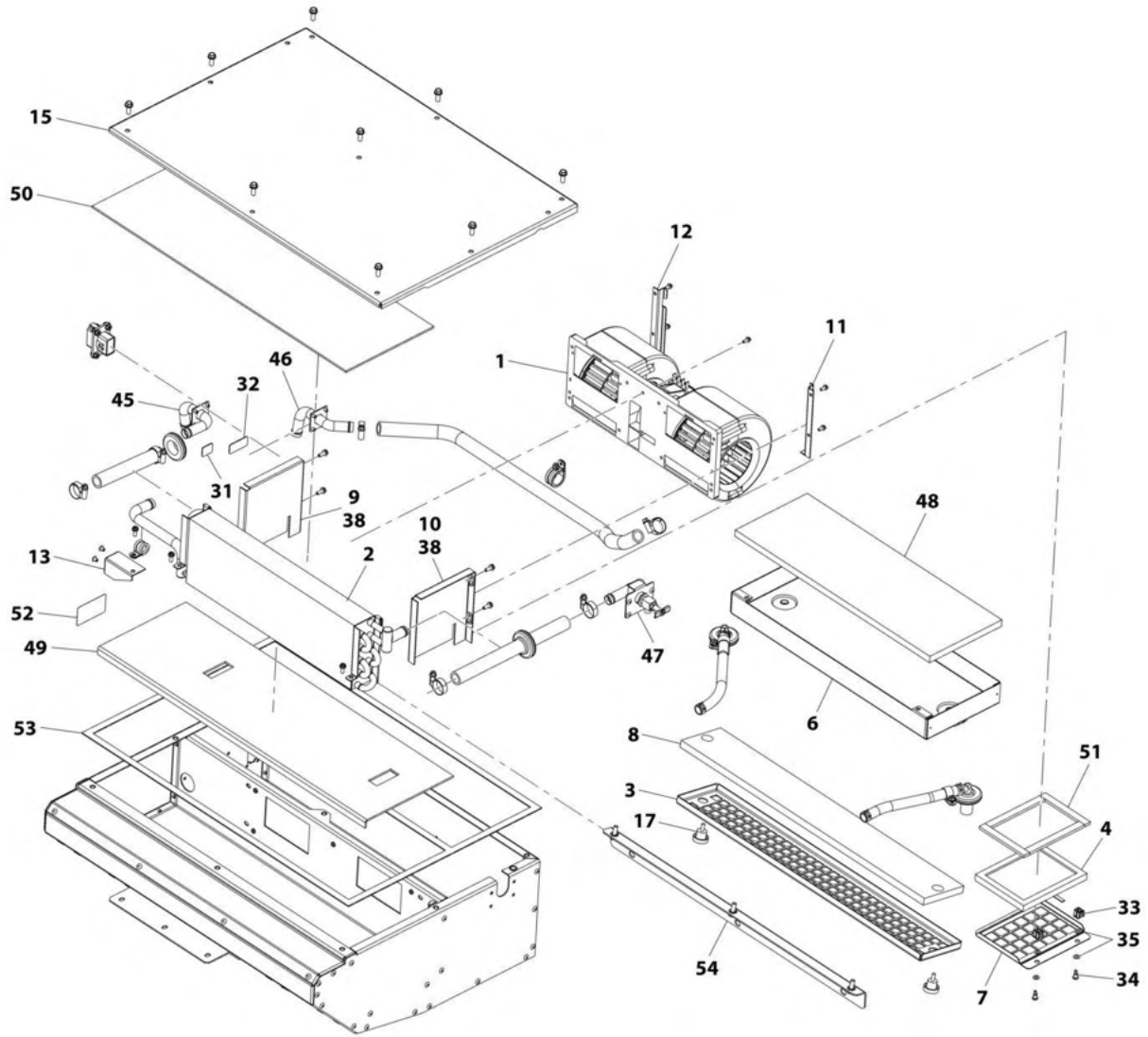
ART_1001165823

FIGURE 6-6. CAB ENCLOSURE

ITEM	PART NUMBER	QTY	DESCRIPTION	REV
	1001165823	Ref	CAB ENCLOSURE	O
1	91404298	3	Rivet	
2	1001109478	1	Latch, Striker	
3	1001181968	13	Mould, Setting Block	
4	91404301	1	Hammer, Emergency	
5	4711400	2	Washer 1/4	
6	8303034	33	Screw 1/4 x 3/4	
7	8305624	4	Nut 1/4	
8	8307112	1	Washer 1/2	
9	8310109	1	Nut 7/164	
10	91404299	1	Decal, Escape	
11	1001081049	4	Grommet, Split	
12	1001111112	1	Tank, Window Washer Fluid	
12	70025480	1	Pump, Reservoir	
13	1001149227	3	Screw 5/16 x 1	
14	1001159856	1	Heater, Floor (See Separate Breakdown in this Section)	
15	1001159860	1	Box, Roof (See Separate Breakdown in this Section)	
16	1001160785	2	Duct, HVAC	
17	1001178349	1	Harness, Wiper (See Separate Breakdown in ELECTRICAL Section)	
18	1001164282	1	Hood, Top	
19	1001164284	1	Hood, Bottom	
20	1001164717	1	Panel, Floor Heater Access	
21	1001165806	1	Door, Cab (See Separate Breakdown in this Section)	
22	1001008742	1	Coupling, Tee	
23	1001081243	1	Retainer, Door Window Hold	
24	0630464	1	Screw #10 x 1/2	
25	82033997	168 in	Hose, Washer Fluid	
26	8036050	1	Window, RH Slider (See Separate Breakdown in this Section)	
27	7138958	1	Glass, Skylight	
28	1001181707	1	Window, Rear	
29	8036056	1	Assembly, Front Wiper (See Separate Breakdown in this Section)	
30	1001181893	1	Window, LH Rear	
31	1001181903	1	Window, Windshield	
32	1001182091	1	Duct, Wire	
33	1001182470	1	Wiper, Skylight (See Separate Breakdown in this Section)	
34	1001177746	AR	Compound, Locking	
35	4060803	16.5 in	Flex-Trim	
36	80384218	1	Strap, Door	
37	1001196128	2	Bracket, Strap Holder	
38	1001197098	2	Screw #10 x 3/8	
39	1001197099	2	Screw #10 x 5/8	

SECTION 6 - CAB

FIGURE 6-7. ROOF HEATER BOX



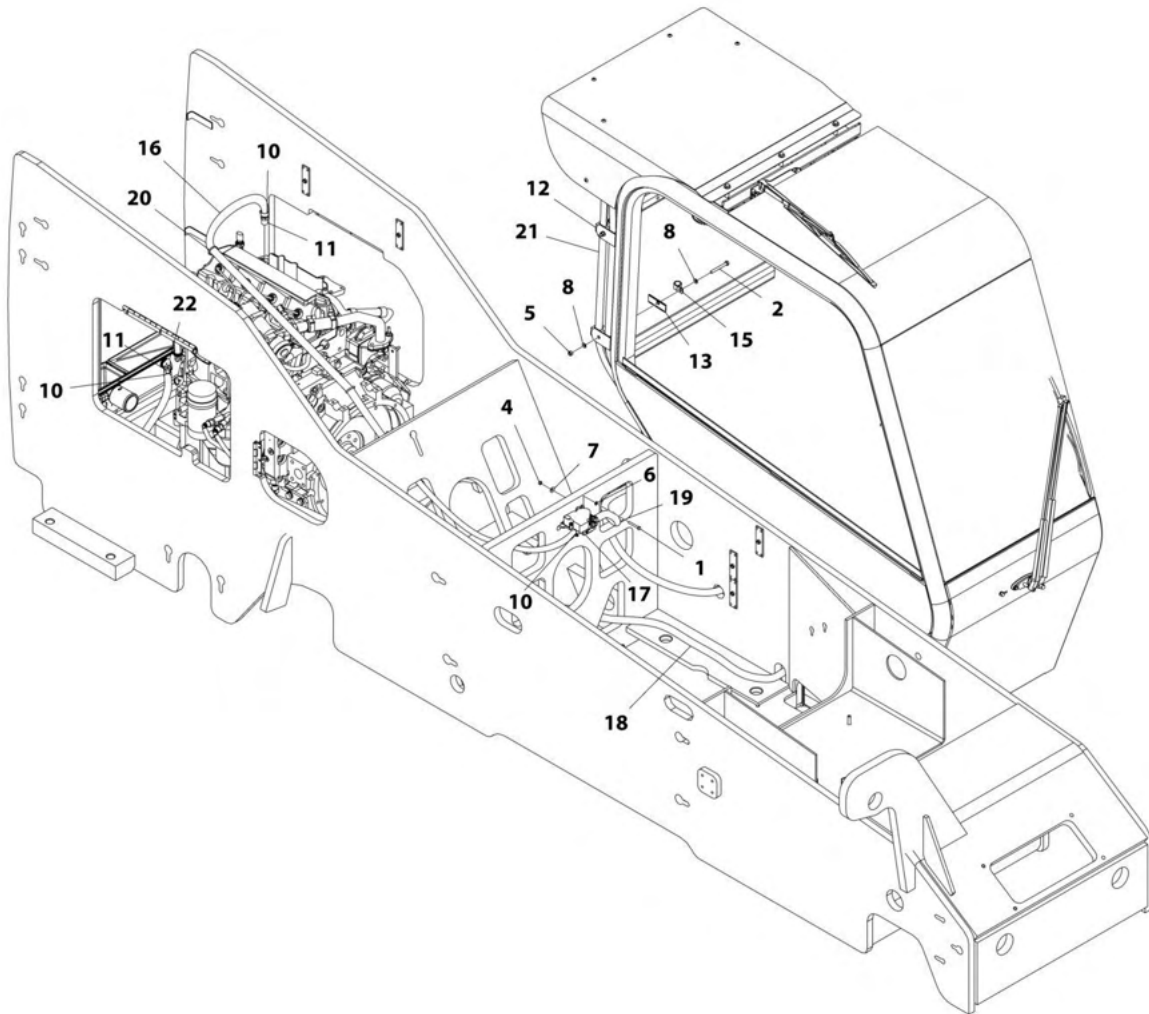
ART_1001159860-B

FIGURE 6-7. ROOF HEATER BOX

ITEM	PART NUMBER	QTY	DESCRIPTION	REV
	1001159860	Ref	Roof Heater Box	B
1	70026978	1	Blower, 12V	
2	70026981	1	Heater Coil	
3	70026982	1	Air Filter	
4	70026983	1	Air Filter	
6	70029822	1	Drain Pan	
7	70029823	1	Cover, Air Filter	
8	70029824	1	Cover, Air Filter	
9	70029825	1	Bracket, Coil (R)	
10	70029826	1	Bracket, Coil (L)	
11	70029827	1	Bracket, Blower	
12	70029828	1	Bracket, Blower	
13	70029829	1	Support Bracket	
15	70029830	1	Cover	
16	70029831	1	Harness (not shown)	
17	8036726	2	Knob	
31	70029832	1	Overlay In	
32	70029833	1	Overlay Out	
33	70029834	2	Receptacle	
34	70029835	2	Stud, Oval Slotted	
35	70029836	4	Retainer	
38	70029837	2	Panel, Coil Clip	
45	70029838	1	Tube Assembly	
46	70029839	1	Tube Assembly	
47	70026991	1	Valve, Bleeder	
48	70029840	1	Foam	
49	70029841	1	Foam, Closed Cell	
50	70029842	1	Foam, Closed Cell	
51	70026123	1	Foam, 3/16X180	
52	See Note	1	Foam 456mm	
53	70029843	1	Foam, Closed Cell	
54	70029844	1	Bracket Assembly	

SECTION 6 - CAB

FIGURE 6-8. CAB HEATER LINES INSTALLATION



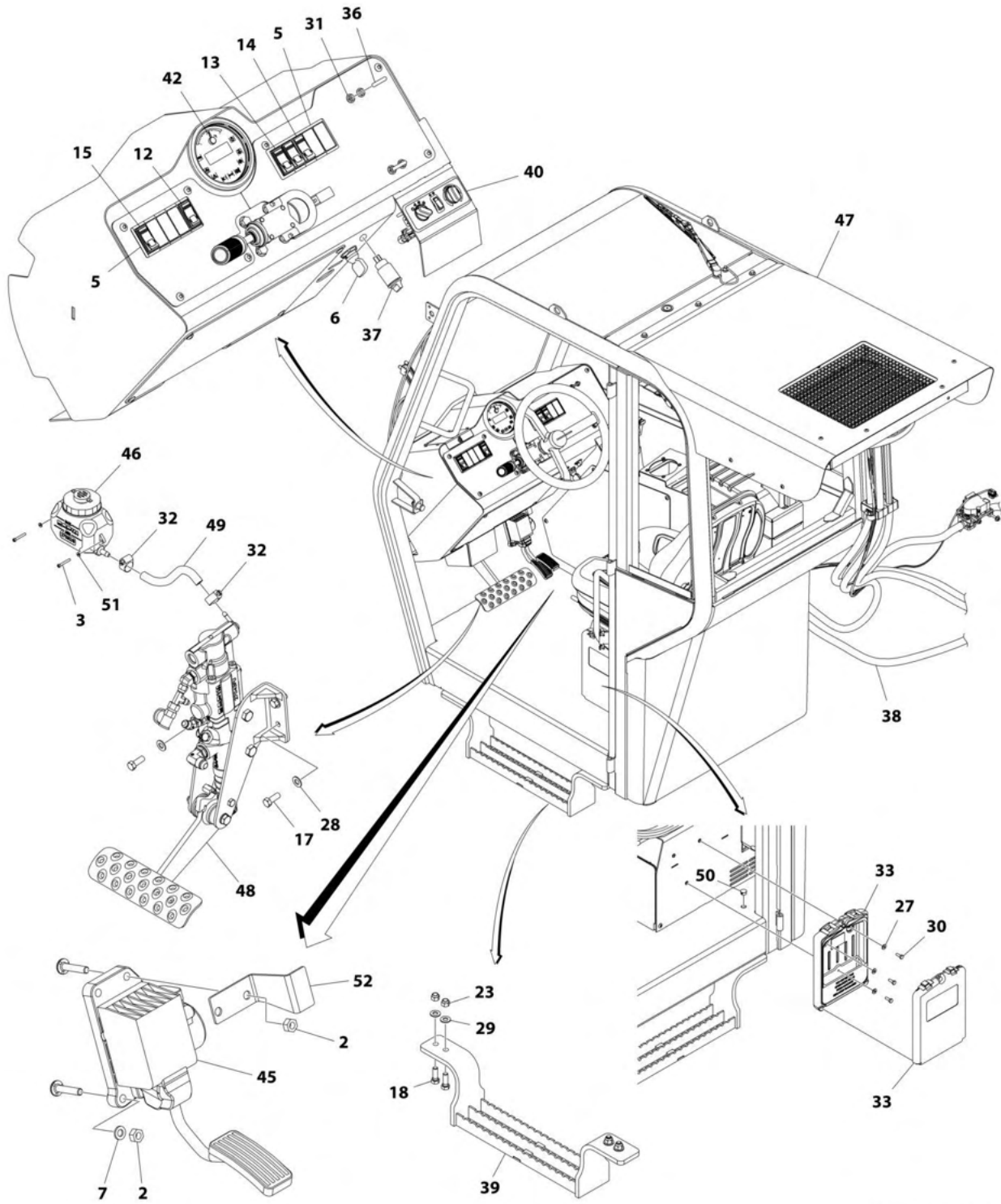
ART_1001171807-D

FIGURE 6-8. CAB HEATER LINES INSTALLATION

ITEM	PART NUMBER	QTY	DESCRIPTION	REV
	1001171807	Ref	Cab Heater Lines Installation	D
1	0700617	2	Bolt, M6X45	
2	0700822	2	Bolt, M8X70	
4	3290605	2	Nut, Lock M6X1	
5	3290805	2	Nut, Lock M8X1-1/4	
6	4811700	2	Washer, M6	
7	4811702	2	Washer, M6	
8	4811900	4	Washer, M8	
10	8405007	8	Clamp, Gear	
11	8430048	2	Reducer, Hose Barb	
12	77133133	2	Clamp, Twin	
13	77133134	2	Clamp, Cover Plate	
15	91043147	2	Clamp, Support	
16	1001158404	1	Hose, Cab Heater	
17	1001159844	1	Valve, Heater (See Separate Breakdown in this section)	
18	1001172537	1	Hose, Heater Return	
19	1001172561	1	Hose, Heater Send Valve to Roof	
20	8584001	4	Wrap, Tie	
21	1001173217	1	Hose, Heater Roof to Floor	
22	1001179229	1	Fitting, 45	

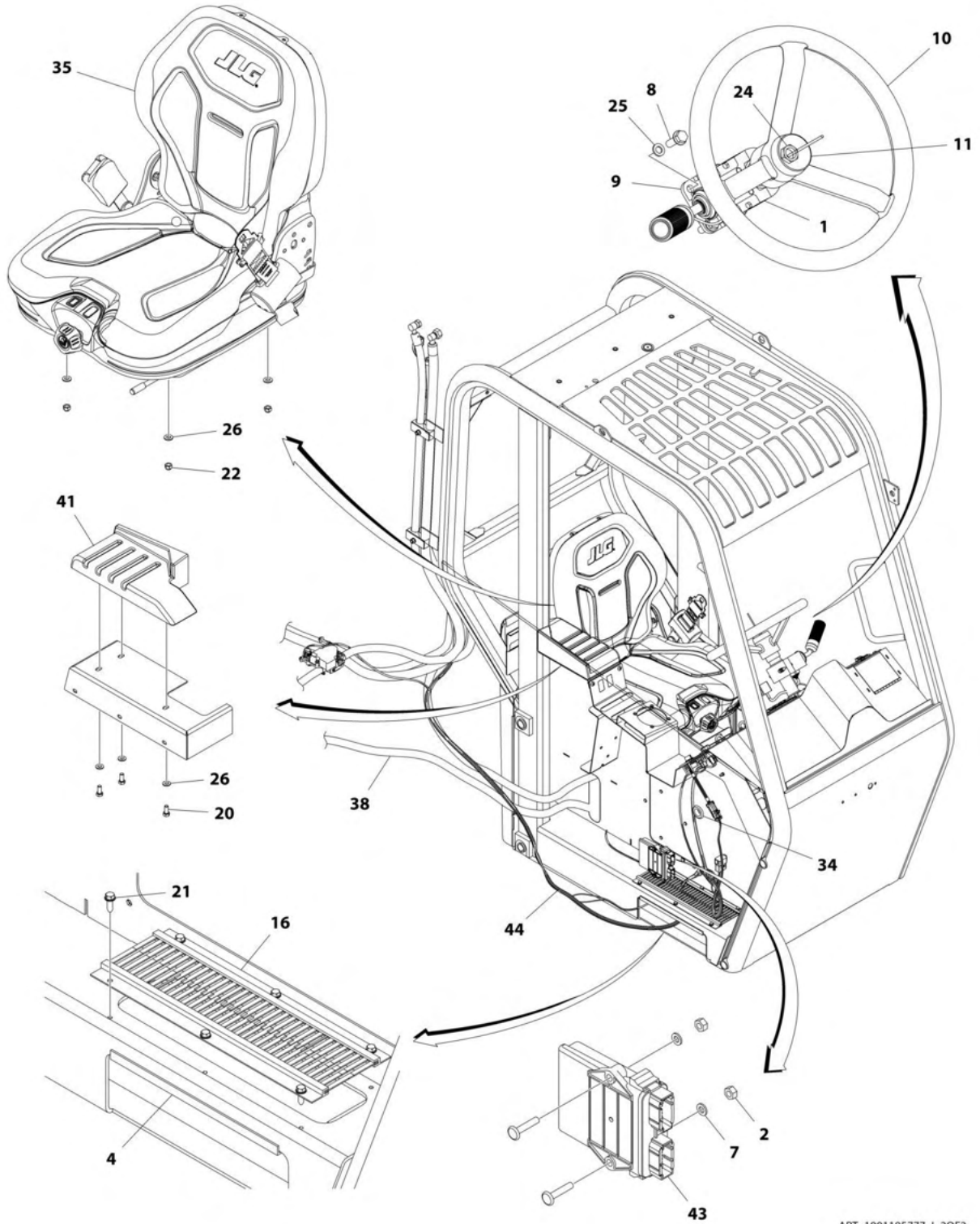
SECTION 6 - CAB

FIGURE 6-9. ENCLOSED CAB WITH HEATER/AC INSTALLATION



ART_1001185777_L_10F2

SECTION 6 - CAB



ART_1001185777_L_20F2

SECTION 6 - CAB

FIGURE 6-9. ENCLOSED CAB WITH HEATER/AC INSTALLATION

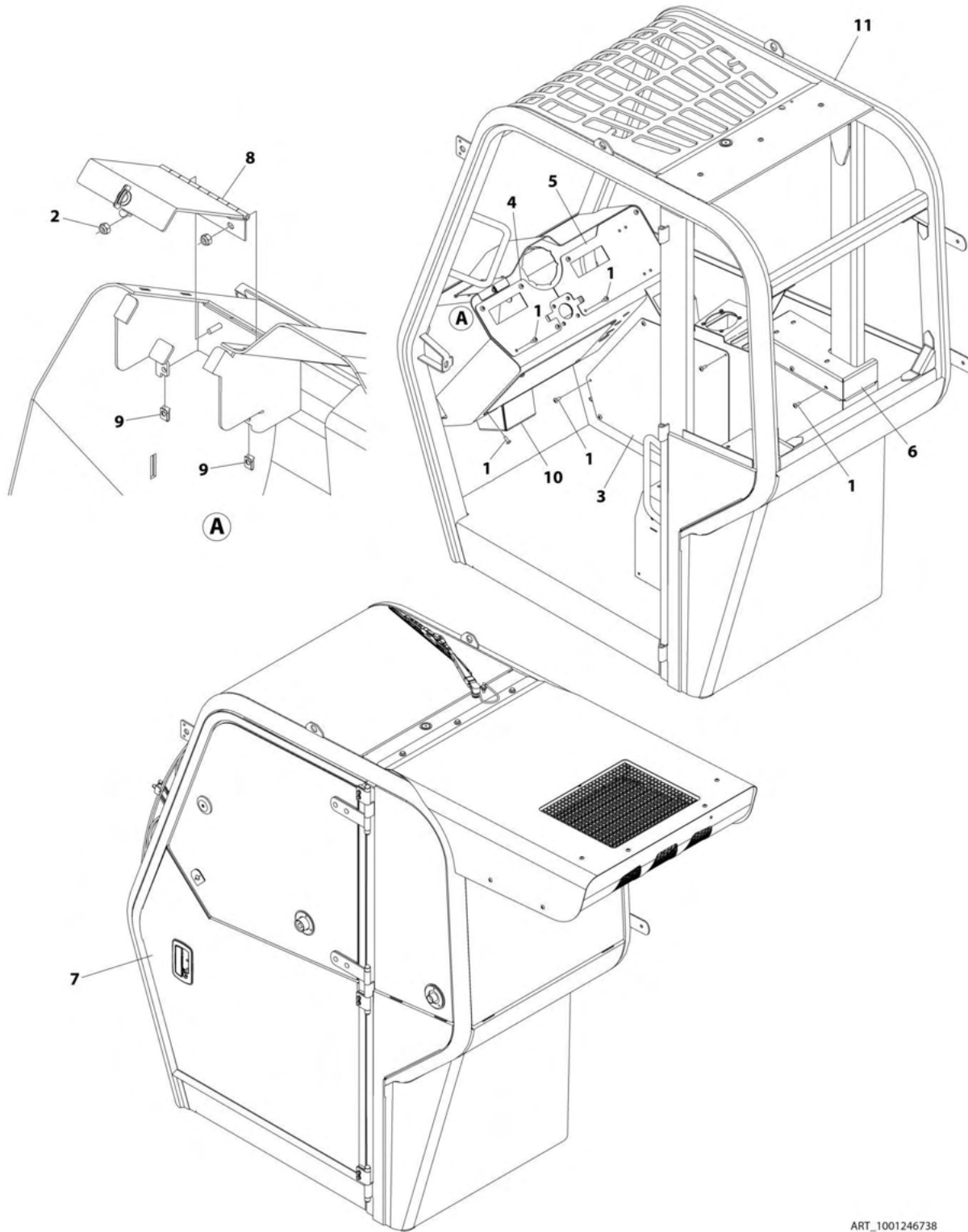
ITEM	PART NUMBER	QTY	DESCRIPTION	REV
	1001185777	Ref	ENCLOSED CAB WITH HEATER/AC INSTALLATION	I
1	1600429	1	Selector, Transmission Control	
2	3311401	5	Nut 1/4	
3	3930610	2	Bolt #6 x 5/8	
4	4060806	11 in	Shield, Flex Trim 5/16	
5	4360569	2	Switch, Bezel	
6	4360690	1	Switch, Ignition	
7	4761400	3	Washer 1/4	
8	5251014	4	Bolt M10 x 30	
9	7138833	1	Column, Steering	
10	7138836	1	Wheel, Steering	
11	7138878	1	Button, Horn	
12	8223037	1	Switch, Steer Select	
13	8223043	2	Switch, Windscreen Wiper	
14	8223044	1	Switch, Windscreen Washer	
15	8223054	1	Switch, Park Brake	
16	7138944	2	Strips, Brush	
17	8303620	4	Bolt 3/8 x 1	
18	8303626	4	Bolt 1/2 x 1-1/2	
20	8303697	3	Bolt 5/16 x 3/4	
21	8303982	6	Screw 1/4 x 3/4	
22	8305626	4	Nut 5/16	
23	8305644	4	Nut 1/2	
24	8305916	1	Nut, Steering Column	
25	8307023	4	Washer M10	
26	8307106	7	Washer 5/16	
27	8307109	3	Washer 1/4	
28	8307110	4	Washer 3/8	
29	8307112	4	Washer 1/2	
30	8310026	3	Bolt 1/4 x 3/4	
31	8310382	8	Nut 1/4	
32	1320022	2	Clamp, Fuel Line	
33	8990147	1	Holder, Manual	
34	1001081049	1	Grommet	
35	1001190229	1	Seat, Cab (See Separate Breakdown in this Section)	
36	1001102844	2	U-Bolt 1/4 x 1-1/4	
37	1001114867	1	Socket, 12V Power Point	
38	1001171806	1	Installation, Cab Heater/AC Lines (See Separate Breakdown in this Section)	
39	1001256519	1	Mount, Cab Step	
40	1001159851	1	Panel, HVAC Control	
41	1001159878	1	Support, Armrest	
42	1001170738	1	Gauge	
43	1001210703	1	Controller	
44	1001178347	1	Harness, HVAC (See Separate Breakdown in ELECTRICAL Section)	
45	1001264554	1	Accelerator (Note: No Serviceable Parts - Purchase Complete Assembly)	
46	1001183164	1	Reservoir, Brake Valve	
47	1001246738	1	Cab, Enclosed with Heater/AC (See Separate Breakdown in this	

SECTION 6 - CAB

ITEM	PART NUMBER	QTY	DESCRIPTION	REV
48	1001223052	1	Section) Assembly, Brake (See Separate Breakdown in CONTROLS Section)	
49	1001201658	1	Hose	
50	1001207963	1	Plug, 5/8	
51	4710600	2	Washer #6	
52	1001265914	1	Cover, Pedal	

SECTION 6 - CAB

FIGURE 6-10. ENCLOSED CAB WITH HEATER



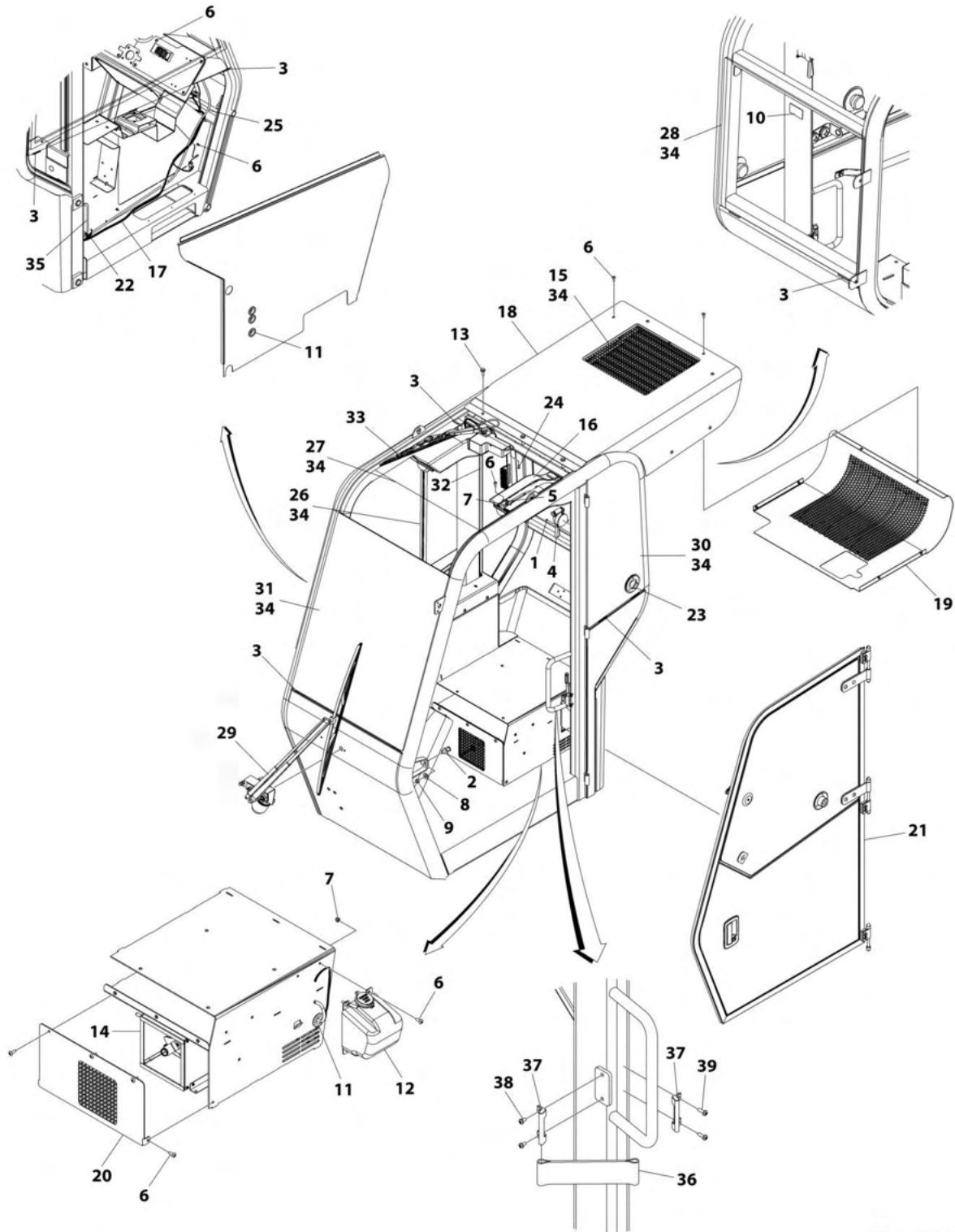
ART_1001246738

FIGURE 6-10. ENCLOSED CAB WITH HEATER

ITEM	PART NUMBER	QTY	DESCRIPTION	REV
	1001246738	Ref	CAB ENCLOSED WITH HEATER/AC	F
1	8303034	22	Screw 1/4 x 3/4	
2	8310085	2	Nut	
3	1001160788	1	Panel, RH Console Access Plate	
4	1001160790	1	Panel, LH Dash Cover	
5	1001160791	1	Panel, RH Dash Cover	
6	1001165617	1	Assembly, Side Console Access Panel	
7	1001168066	1	Enclosure, Cab HVAC (See Separate Breakdown in this Section)	
8	1001202189	1	Door, Brake Reservoir	
9	1001202202	2	Nut M6	
10	1001202746	1	Panel, Brake Access Plate	
11	1001246735	1	Cab Weldment	

SECTION 6 - CAB

FIGURE 6-11. CAB HVAC ENCLOSURE



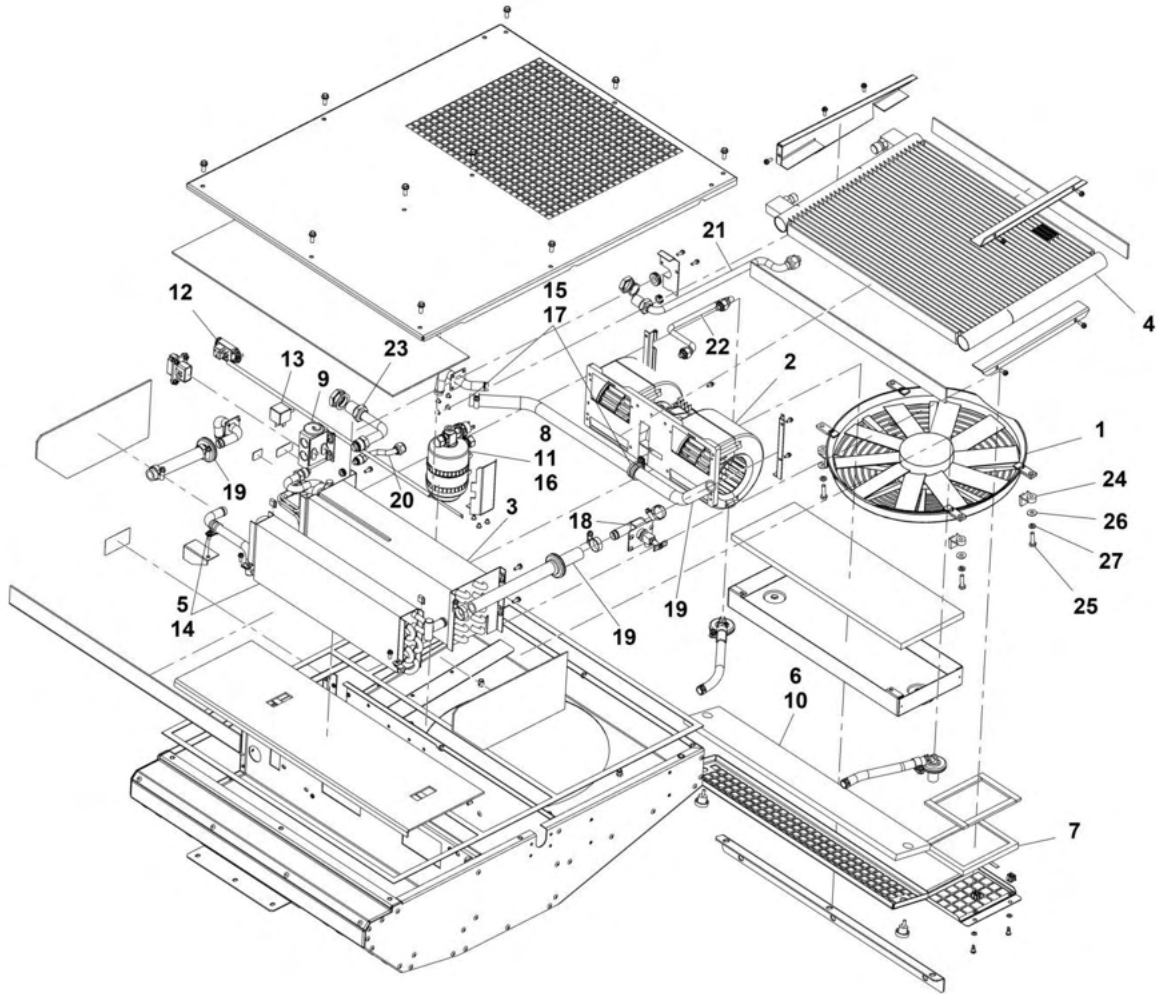
ART_1001168066

FIGURE 6-11. CAB HVAC ENCLOSURE

ITEM	PART NUMBER	QTY	DESCRIPTION	REV
	1001168066	Ref	CAB HVAC ENCLOSURE	0
1	91404298	3	Rivet	
2	1001109478	1	Latch, Striker	
3	1001181968	13	Mould, Setting Block	
4	91404301	1	Hammer, Emergency	
5	4711400	2	Washer 1/4	
6	8303034	35	Screw 1/4 x 3/4	
7	8305624	4	Nut 1/4	
8	8307112	1	Washer 1/2	
9	8310109	1	Nut 7/16	
10	91404299	1	Decal, Escape	
11	1001081049	4	Grommet, Split	
12	1001111112	1	Tank, Window Washer Fluid	
12	70025480	1	Pump, Reservoir	
13	1001149227	3	Screw 5/16 x 1	
14	1001159856	1	Heater, Floor (See Separate Breakdown in this Section)	
15	1001159861	1	Box, Roof (See Separate Breakdown in this Section)	
16	1001160785	2	Duct, HVAC	
17	1001178349	1	Harness, Wiper (See Separate Breakdown in ELECTRICAL Section)	
18	1001164096	1	Hood, Top	
19	1001164099	1	Hood, Bottom	
20	1001164717	1	Panel, Floor Heater Access	
21	1001165806	1	Door, Cab (See Separate Breakdown in this Section)	
22	1001008742	1	Coupling, Tee	
23	1001081243	1	Retainer, Door Window Hold	
24	0630464	1	Screw #10 x 1/2	
25	82033997	168 in	Hose, Washer Fluid	
26	8036050	1	Window, RH Slider (See Separate Breakdown in this Section)	
27	7138958	1	Glass, Skylight	
28	1001181707	1	Window, Rear	
29	8036056	1	Assembly, Front Wiper (See Separate Breakdown in this Section)	
30	1001181893	1	Window, LH Rear	
31	1001181903	1	Window, Windshield	
32	1001182091	1	Duct, Wire	
33	1001182470	1	Wiper, Skylight (See Separate Breakdown in this Section)	
34	1001177746	AR	Compound, Locking	
35	4060803	16.5 in	Flex-Trim	
36	80384218	1	Strap, Door	
37	1001196128	2	Bracket, strap Holder	
38	1001197098	2	Screw #10 x 3/8	
39	1001197099	2	Screw #10 x 5/8	

SECTION 6 - CAB

FIGURE 6-12. ROOF BOX HVAC



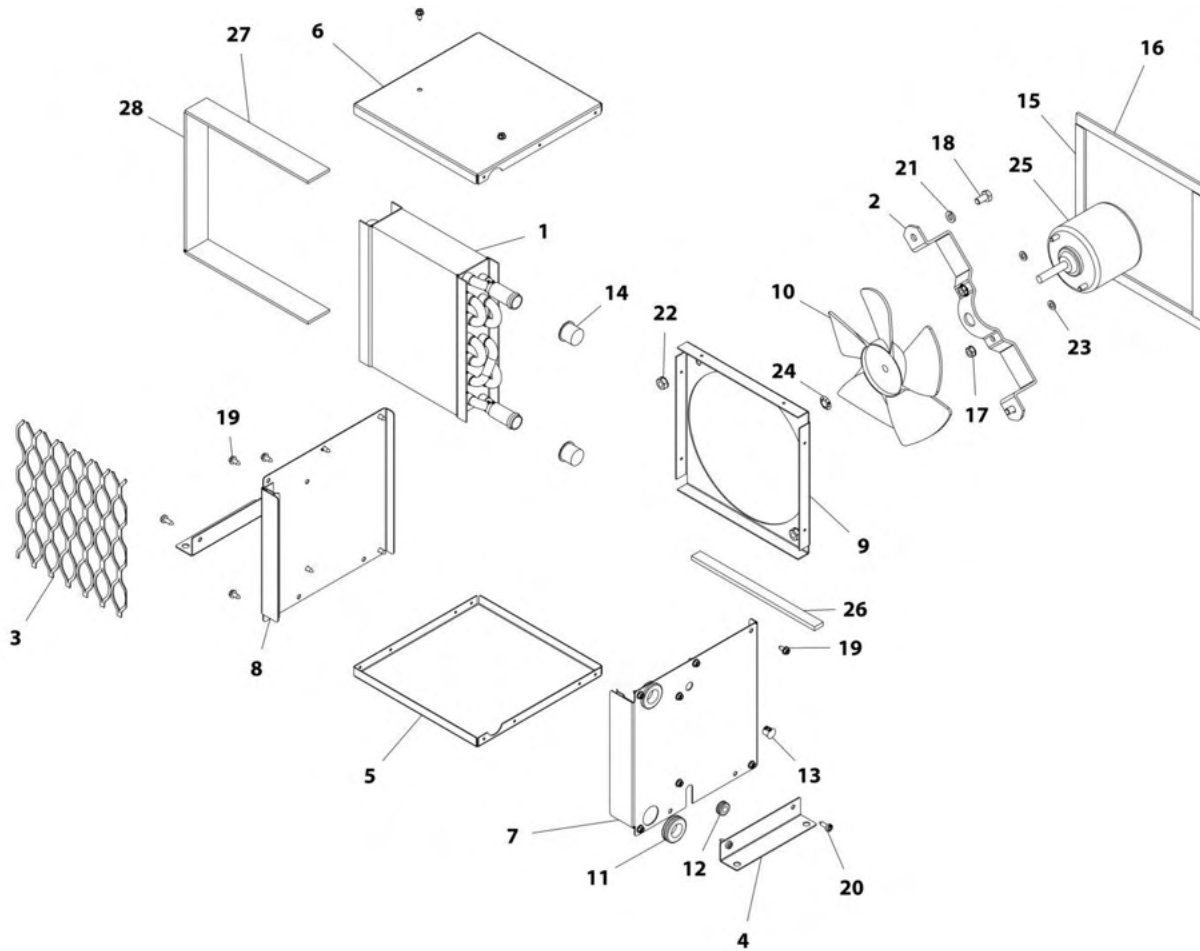
ART_1001159861-B

FIGURE 6-12. ROOF BOX HVAC

ITEM	PART NUMBER	QTY	DESCRIPTION	REV
	1001159861	Ref	Roof Box HVAC	B
1	70026945	1	Fan Assembly, 12V	
2	70026978	1	Blower, 12V	
3	70026979	1	Evaporator Coil	
4	70026980	1	Condenser	
5	70026981	1	Heater Coil	
6	70026982	1	Air Filter	
7	70026983	1	Air Filter	
8	70026854	1	Pressure Switch (H/L)	
9	70020876	1	Block Valve	
10	8036726	2	Knob	
11	70026984	1	Receiver Drier MCCEU	
12	70026985	1	Electronic Deicing Thermostat (EDT) Module	
13	70026986	1	Relay, 12V 30/40A	
14	70026987	1	Hose Clamp, 10	
15	70026988	1	Hose Clamp, 14	
16	70026989	2	Gear Clamp	
17	70026990	6	Hose Clamp, 5/8	
18	70026991	1	Bleeder Valve	
19	82033995	1	Hose	
20	70028782	1	Tube Assembly	
21	70028781	1	Tube Assembly	
22	70028780	1	Tube Assembly	
23	70028779	1	Tube Assembly	
24	70029981	4	Fan Mount	
25	70029982	4	Screw	
26	70029983	4	Flat Washer	
27	70029984	4	Lockwasher	

SECTION 6 - CAB

FIGURE 6-13. FLOOR HEATER



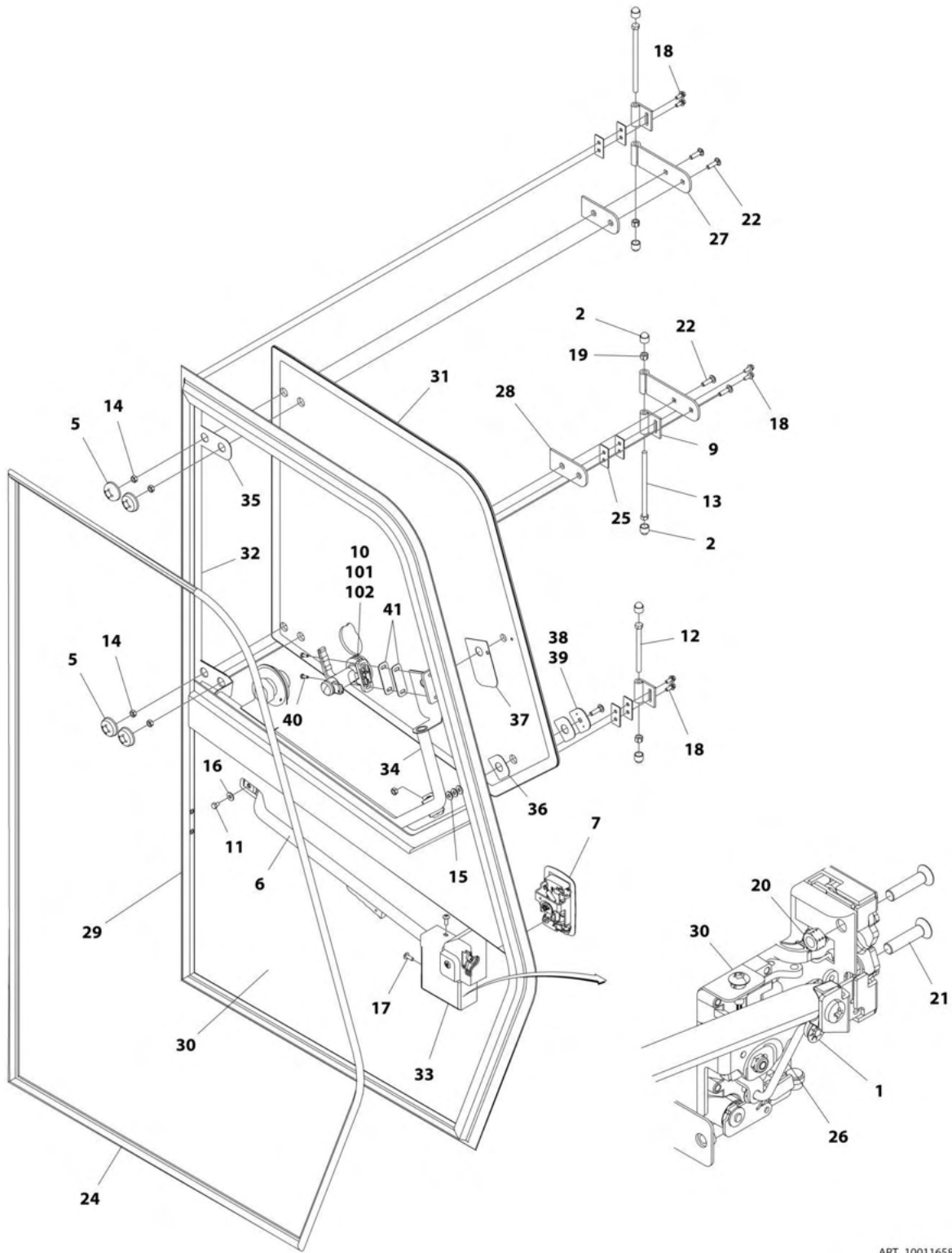
ART_1001159856-D

FIGURE 6-13. FLOOR HEATER

ITEM	PART NUMBER	QTY	DESCRIPTION	REV
	1001159856	Ref	Floor Heater	D
1	70026100	1	Coil, Heater	
2	70026101	1	Bracket, Motor	
3	70026102	1	Protector, Coil	
4	70026103	2	Bracket, Mounting	
5	70026104	1	Casing, Bottom	
6	70026105	1	Casing, Top	
7	70026106	1	Casing, RH Side	
8	70026107	1	Casing, LH Side	
9	70026108	1	Mount, Fan	
10	70026109	1	Fan	
11	70026110	2	Grommet	
12	70026111	1	Grommet, 3/8	
13	70026112	1	Plug, Hole 3/8	
14	70026113	2	Plug, 3/8	
15	70026114	2	Foam, 1/4X158	
16	70026114	2	Foam, 1/4X184	
17	70026115	2	Nut, 10-32	
18	70026116	2	Screw, 1/4-20X1/2	
19	70026117	16	Screw, 8X3/8	
20	70024855	4	Screw, Tap 8X1/2	
21	70026118	2	Lockwasher, 1/4	
22	70026119	2	Nut, Kep 1/4-20	
23	70026120	2	Washer, M5	
24	70026121	1	Retainer	
25	70026122	1	Motor Assembly, 12V	
26	70026123	1	Foam, 3/16X180	
27	70026124	2	Foam, 1/4X180	
28	70026124	1	Foam, 1/4X175	

SECTION 6 - CAB

FIGURE 6-14. CAB DOOR ASSEMBLY



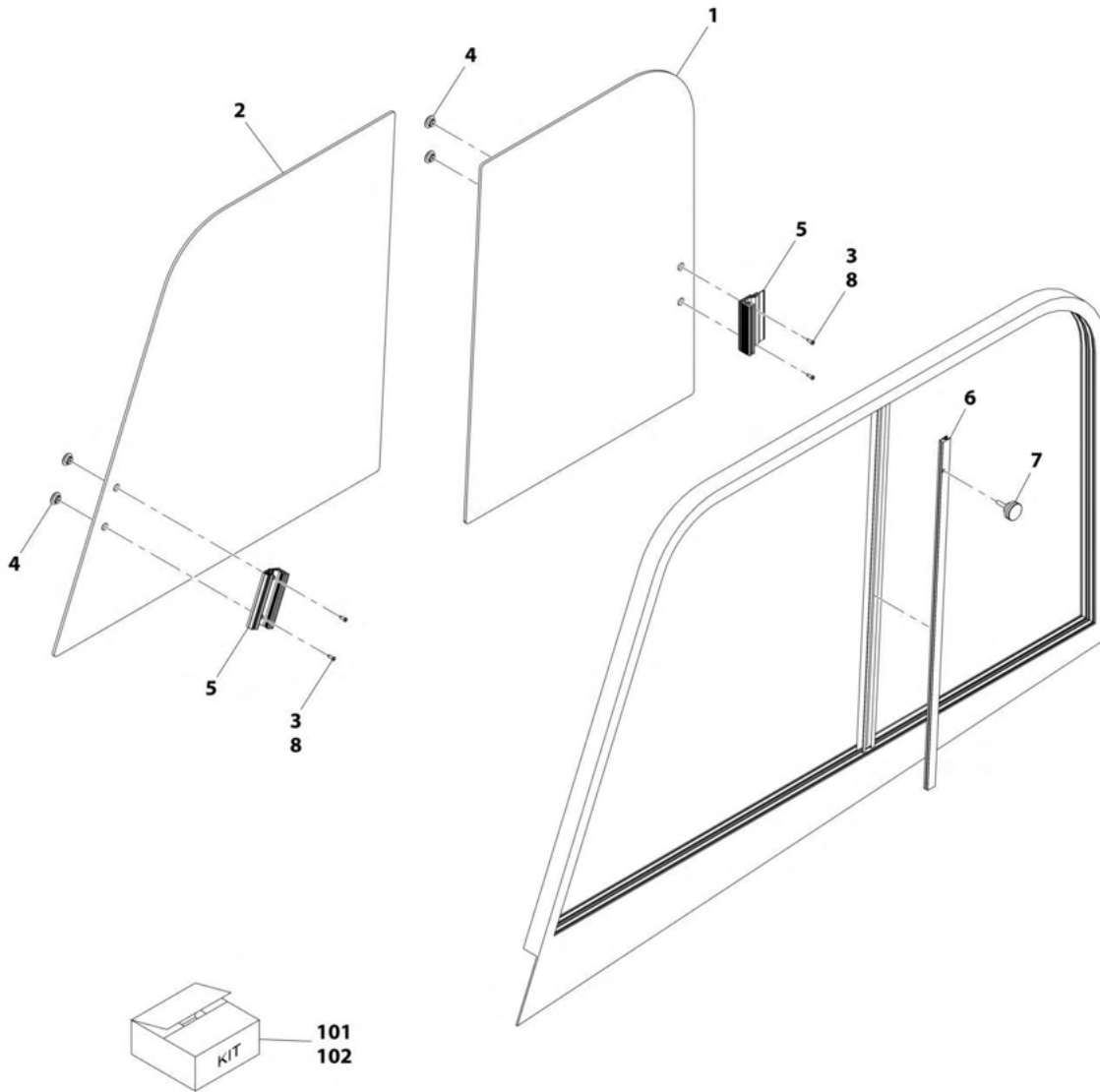
ART_1001165806

FIGURE 6-14. CAB DOOR ASSEMBLY

ITEM	PART NUMBER	QTY	DESCRIPTION	REV
	1001165806	Ref	CAB DOOR	I
1	1001183104	2	Fastener, Latch	
2	1001182663	6	Cap, Hex Dome	
5	1001081246	5	Cap, Nut M6	
6	1001081247	1	Handle, Interior Cab Door	
7	1001081241	1	Handle, Exterior Cab Door	
7	70021948	1	Key, Cab Door	
9	1001183209	3	Hinge, Slotted	
10	1001220260	1	Handle, Window	
11	0641403	1	Bolt 1/4 x 3/8	
12	0641636	1	Bolt 3/8 x 4-1/2	
13	0641652	2	Bolt 3/8 x 6-1/2	
14	3290801	5	Nut M8	
15	4711500	3	Washer 5/16	
16	4751400	1	Washer 1/4	
17	8303034	2	Screw 1/4 x 3/4	
18	8303119	6	Screw 1/4 x 5/8	
19	8305603	3	Nut 3/8	
20	8305638	2	Nut M8	
21	1001094312	2	Screw M8 x 30	
22	1001108575	5	Screw M8 x 30	
24	1001182408	1	Seal, Door	
25	1001182135	6	Shim, Door Hinge	
26	1001182514	1	Linkage, Exterior Latch	
27	1001081242	2	Hinge, Door	
28	1001081266	2	Spacer, Hinge	
29	1001182842	1	Weldment, Door	
30	1001182800	1	Foam, Door	
31	1001182808	1	Glass, Door	
32	1001182810	1	Seal, Glass	
33	1001182865	1	Cover, Latch	
34	1001182871	1	Handle, Door Glass	
35	1001182882	2	Shim, Hinge	
36	1001182883	2	Shim, Handle	
37	1001182884	1	Shim, Handle Latch	
38	1001183084	1	Plate, Window	
39	1001177746	1	Compound, Locking	
40	1001197099	2	Screw 1/4 x 5/8	
41	1001265272	AR	Shim	
101	1001165276	1	Striker Plate	
102	1001165275	1	Window Latch	
103	1001169787	1	Latch Seal (not shown)	

SECTION 6 - CAB

FIGURE 6-15. RH SLIDER WINDOW



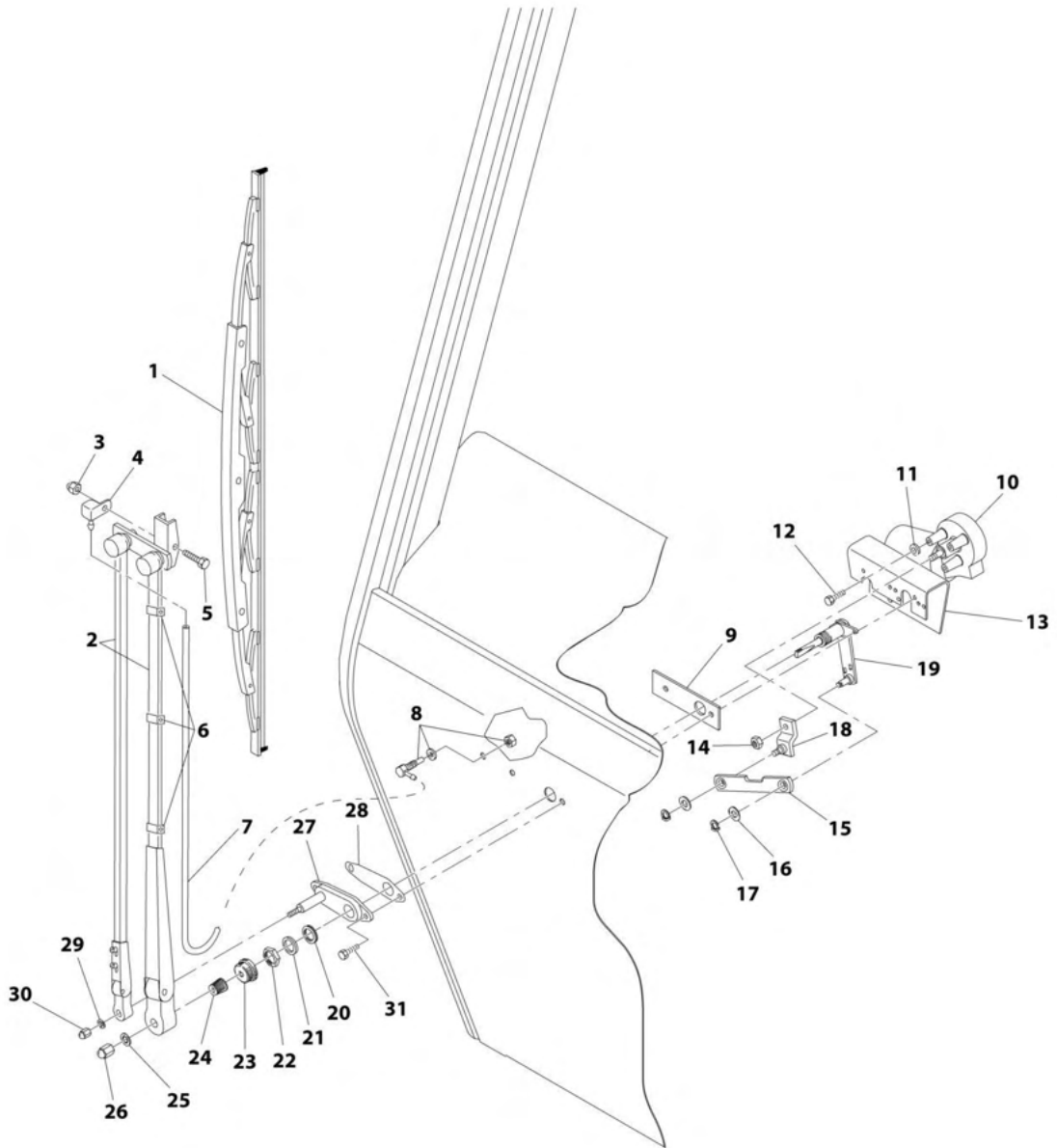
ART_8036050-B

FIGURE 6-15. RH SLIDER WINDOW

ITEM	PART NUMBER	QTY	DESCRIPTION	REV
	8036050	Ref	RH Slider Window	B
1	8036197	1	Glass, Rear Slide	
2	8036196	1	Glass, Front Slide	
3	Kit	NSS	Capscrew (Use Item 101)	
4	Kit	NSS	Spacer (Use Item 101)	
5	Kit	NSS	Latch (Use Item 101)	
6	Kit	NSS	Block, Lock (Use Item 102)	
7	Kit	NSS	Assembly, Knob (Use Item 102)	
8	8035523	AR	Compound, Locking	
101	8036199	1	Kit, Latch Assembly (includes items 3 thru 5)	
102	8036198	1	Kit, Friction Lock Assembly (includes items 6 & 7)	

SECTION 6 - CAB

FIGURE 6-16. FRONT WIPER ASSEMBLY



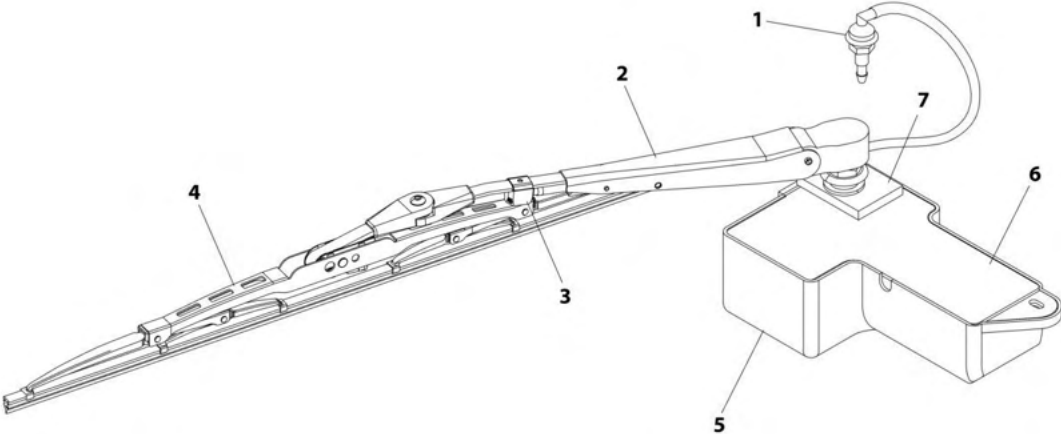
ART_8036056-A

FIGURE 6-16. FRONT WIPER ASSEMBLY

ITEM	PART NUMBER	QTY	DESCRIPTION	REV
	8036056	Ref	Front Wiper Assembly	A
1	80384213	1	Blade, Wiper	
2	8035393	1	Assembly, Wiper Arm	
3	N.S.S.	1	Nut, Lock	
4	N.S.S.	1	Nozzle, Sprayer	
5	N.S.S.	1	Bolt	
6	N.S.S.	3	Clip, Hose	
7	N.S.S.	1	Hose	
8	1001081310	1	Adaptor, Wet Arm	
9	8036100	1	Spacer, Front Wiper Motor	
10	7029860	1	Motor, Wiper 12V	
11	N.S.S.	3	Washer, 5/16	
12	N.S.S.	3	Bolt, 1/4-28X1	
13	N.S.S.	1	Bracket, Wiper Motor	
14	N.S.S.	1	Nut	
15	8035409	1	Link, Connecting	
16	N.S.S.	2	Washer, 0.56X0.251X0.015	
17	N.S.S.	2	Clip, Spring	
18	8035411	1	Drive, Wiper Arm	
19	8036099	1	Assembly, Wiper Shaft and Pivot	
20	N.S.S.	1	Washer, Rubber	
21	N.S.S.	1	Washer, Metal	
22	N.S.S.	1	Nut, Jam 11/16-18	
23	N.S.S.	1	Cap, Rubber	
24	N.S.S.	1	Driver, Knurled	
25	N.S.S.	1	Washer, Lock 3/8	
26	N.S.S.	1	Nut, Acorn 1/4-28	
27	8034815	1	Assembly, Panto Adaptor	
28	N.S.S.	1	Gasket	
29	N.S.S.	1	Washer, Lock 1/4	
30	N.S.S.	1	Nut, Acorn 1/4-28	
31	80384207	2	Bolt, 1/4-28X3/4	

SECTION 6 - CAB

FIGURE 6-17. SKYLIGHT WIPER ASSEMBLY



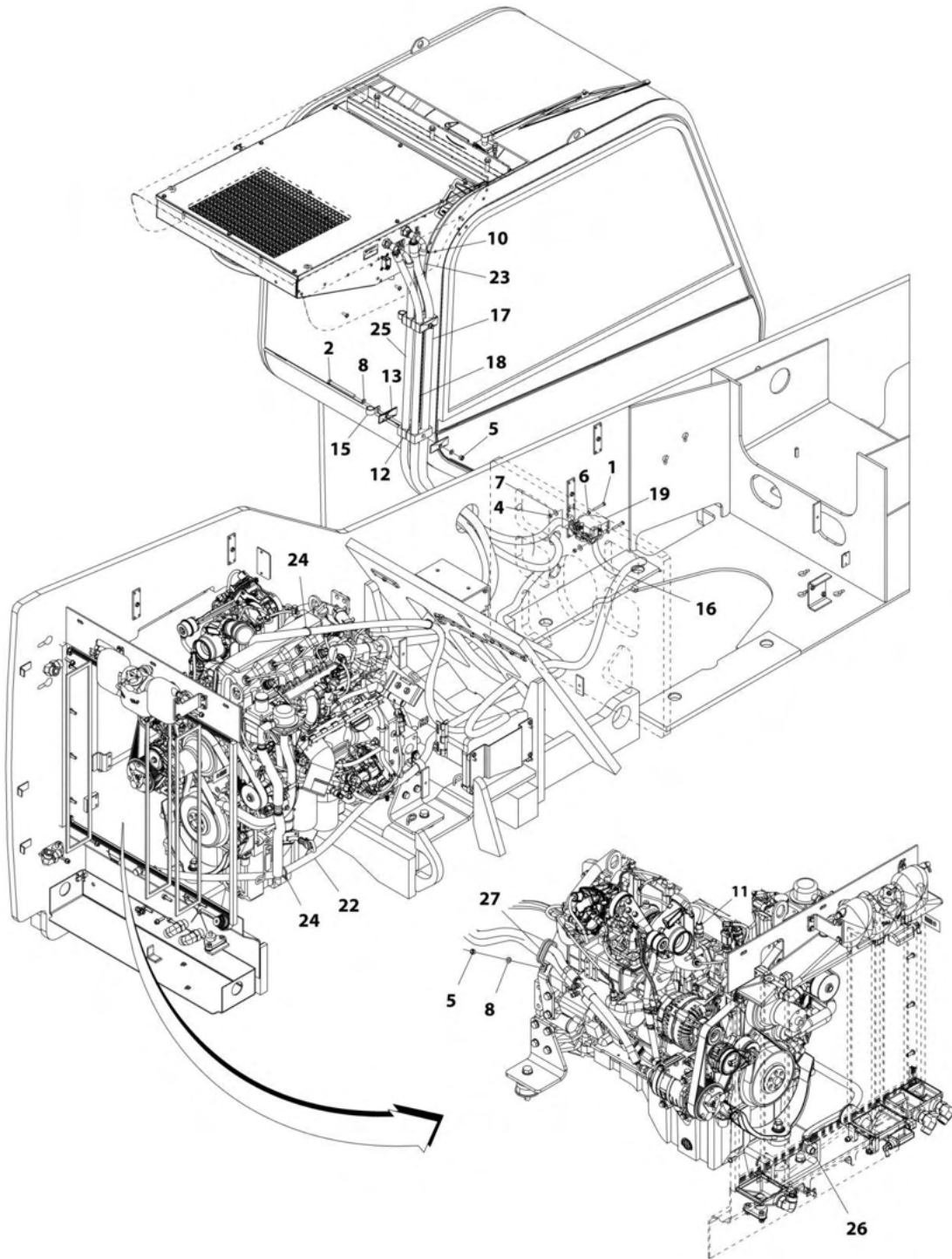
ART_1001182470

FIGURE 6-17. SKYLIGHT WIPER ASSEMBLY

ITEM	PART NUMBER	QTY	DESCRIPTION	REV
	1001182470	Ref	SKYLIGHT WIPER ASSEMBLY	B
1	1001081310	1	Adaptor, Wet Arm	
2	8035500	1	Arm, Wiper	
3	8035499	1	Arm, Wet Kit	
4	8035498	1	Blade, Wiper	
5	70020652	1	Motor, Wiper	
6	8035493	1	Cover, Wiper	
7	70026352	1	Block, Skylight Wiper Motor	

SECTION 6 - CAB

FIGURE 6-18. CAB HEATER/AC LINES INSTALLATION



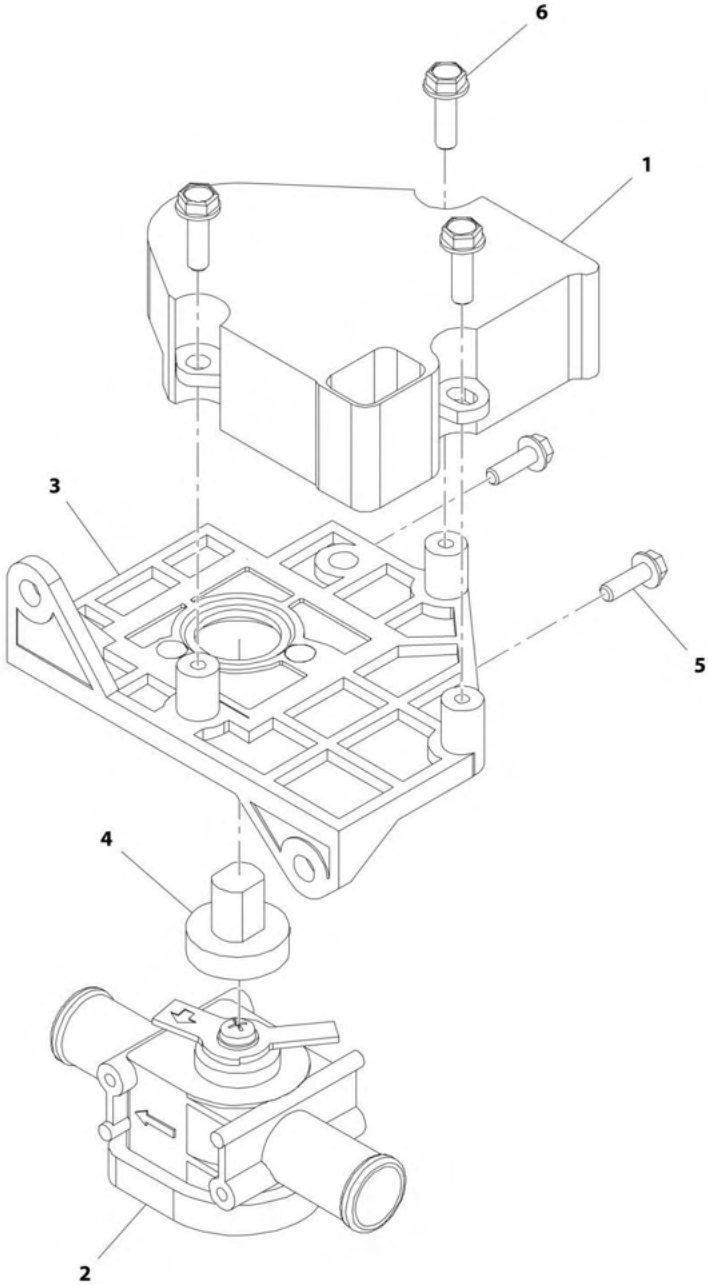
ART_1001171806-J

FIGURE 6-18. CAB HEATER/AC LINES INSTALLATION

ITEM	PART NUMBER	QTY	DESCRIPTION	REV
	1001171806	Ref	Cab Heater/AC Lines Installation	J
1	0700617	2	Bolt, M6X45	
2	0700828	2	Bolt, M8X110	
4	3290605	2	Nut, Lock M6X1	
5	3290805	3	Nut, Lock M8X1-1/4	
6	4811700	2	Washer, M6	
7	4811702	2	Washer, M6	
8	4811900	5	Washer, M8	
10	8405007	8	Clamp, Gear	
11	8430048	2	Reducer, Hose Barb	
12	77133133	4	Clamp, Twin	
13	77133134	4	Clamp, Cover Plate	
15	91043147	2	Clamp, Support	
16	1001158404	1	Hose, Cab Heater	
17	1001182798	1	Hose, A/C Compressor Suction	
18	1001182723	1	Hose, A/C Compressor Discharge	
19	1001159844	1	Valve, Heater (See Separate Breakdown in this section)	
22	1001172537	1	Hose, Heater Return	
23	1001172561	1	Hose, Heater Send Valve to Roof	
24	8584001	4	Wrap, Tie	
25	1001173217	1	Hose, Heater Roof to Floor	
26	1001179229	1	Fitting, 45	
27	1001164196	1	Clamp	

SECTION 6 - CAB

FIGURE 6-19. HEATER VALVE



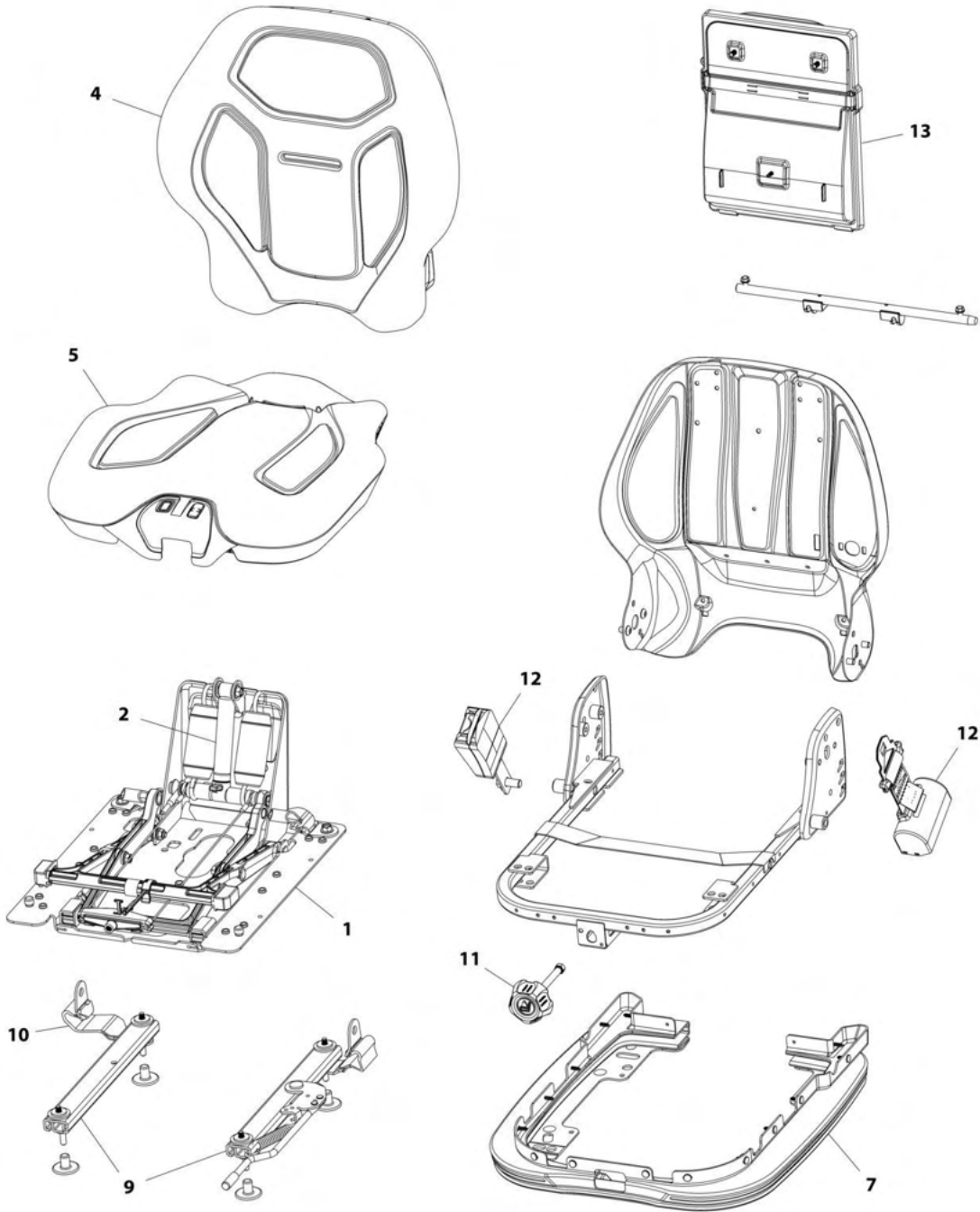
ART_1001159844-C

FIGURE 6-19. HEATER VALVE

ITEM	PART NUMBER	QTY	DESCRIPTION	REV
	1001159844	Ref	Heater Valve	C
1	70026088	1	Motor Actuator, 12V	
2	70026089	1	Assembly, Heater Valve	
3	70026090	1	Assembly, Valve Bracket	
4	70026091	1	Adapter, Shaft	
5	70026092	2	Screw, 8-18X1/2	
6	70026093	3	Screw, 10-16X5/8	

SECTION 6 - CAB

FIGURE 6-20. SEAT



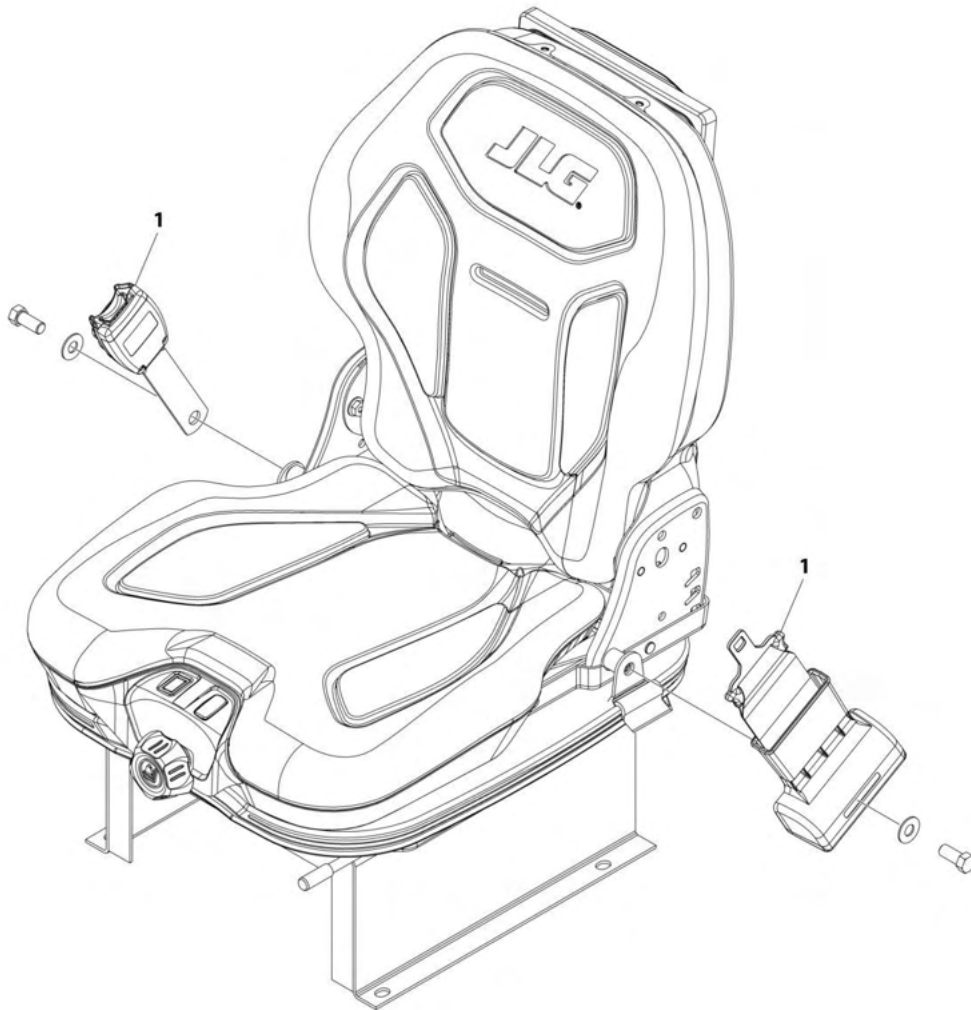
ART_1001190229-E

FIGURE 6-20. SEAT

ITEM	PART NUMBER	QTY	DESCRIPTION	REV
	1001190229	Ref	Cab Seat	E
1	70027024	1	Suspension Assembly Kit	
2	70027025	1	Spring Saddle Assembly Kit	
4	70027026	1	Back Cushion Kit	
5	70027028	1	Seat Cushion Assembly Kit	
7	70027030	1	Boot Kit	
9	7026798	1	Adjuster Kit	
10	70027032	1	Tether strap	
11	70027033	1	Weight adjust knob kit	
12	70027034	2	Seat belt kit	
13	70027035	1	Document box kit	

SECTION 6 - CAB

FIGURE 6-21. SEAT BELT INSTALLATION (3IN)



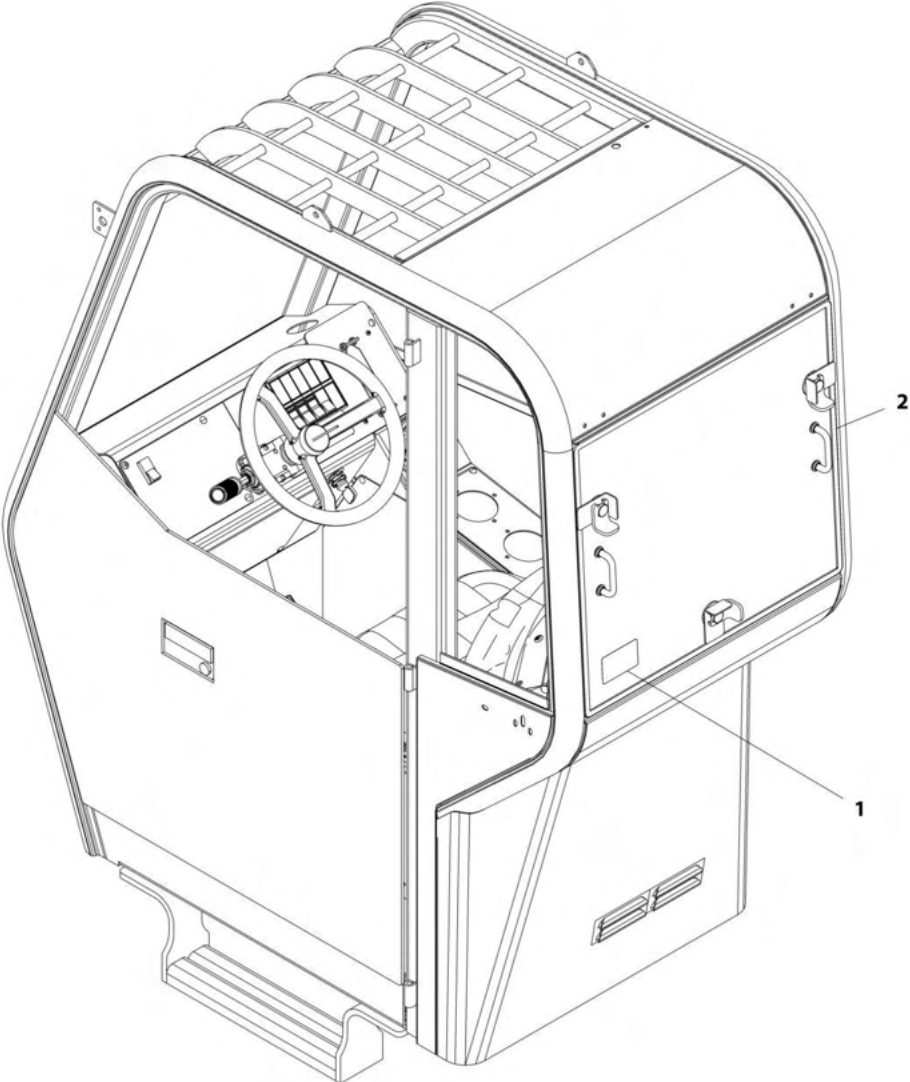
ART_1001258245

FIGURE 6-21. SEAT BELT INSTALLATION (3IN)

ITEM	PART NUMBER	QTY	DESCRIPTION	REV
1	1001258245 1001258244	Ref 1	Seat Belt Installation (3in Width) Seat Belt (3in)	A

SECTION 6 - CAB

FIGURE 6-22. REAR DROPOUT WINDOW INSTALLATION (ANSI)



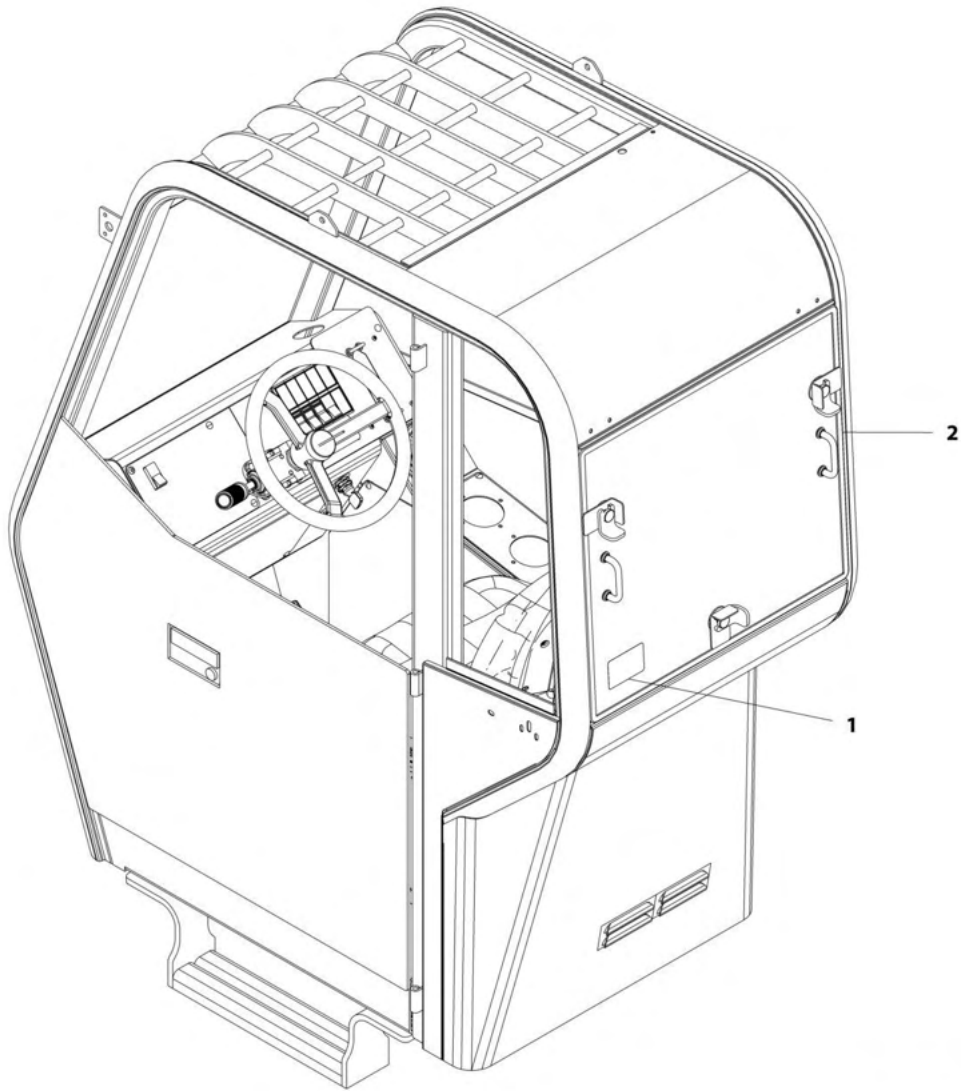
ART_1001162806-A

FIGURE 6-22. REAR DROPOUT WINDOW INSTALLATION (ANSI)

ITEM	PART NUMBER	QTY	DESCRIPTION	REV
	1001162806	Ref	Rear Dropout Window Installation (ANSI)	A
1	1001160071	2	Decal, Rear Emergency Exit	
2	1001162804	1	Window, Rear Dropout	

SECTION 6 - CAB

FIGURE 6-23. REAR DROPOUT WINDOW INSTALLATION (ENGLISH/FRENCH)



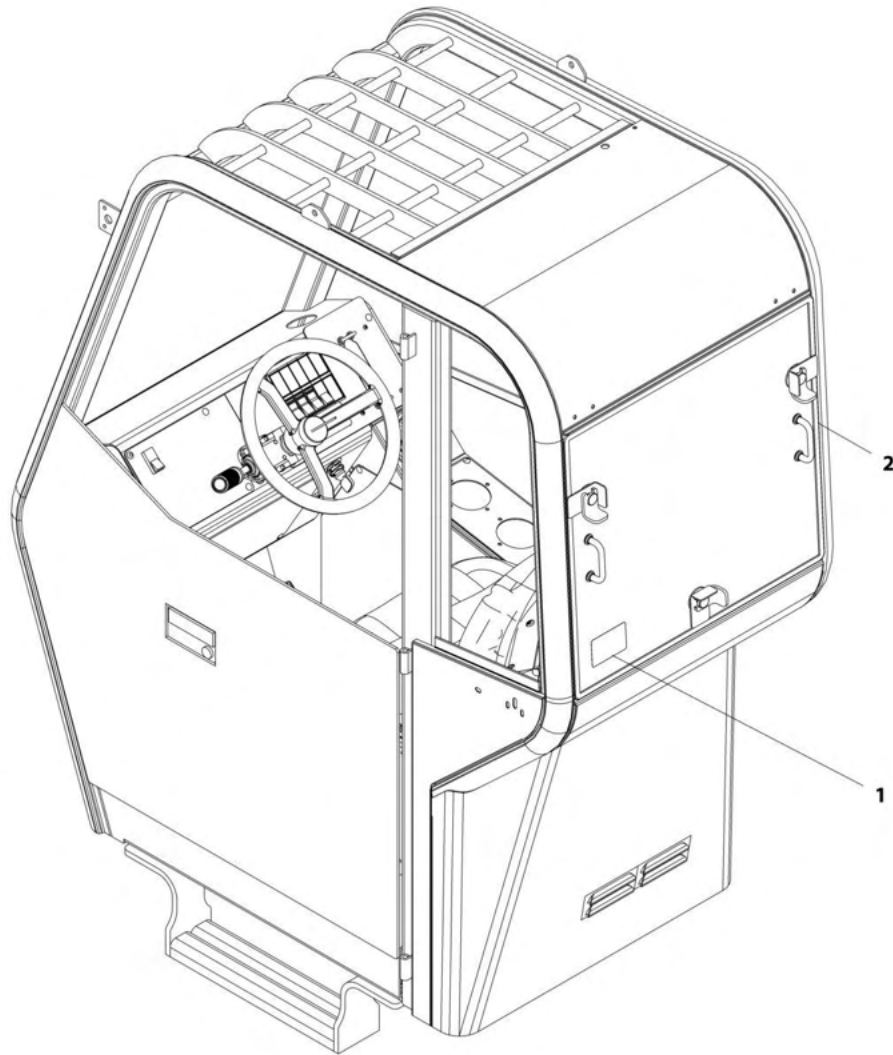
ART_1001167250-A

FIGURE 6-23. REAR DROPOUT WINDOW INSTALLATION (ENGLISH/FRENCH)

ITEM	PART NUMBER	QTY	DESCRIPTION	REV
	1001167250	Ref	Rear Dropout Window Installation (ENGLISH/FRENCH)	A
1	1001160787	2	Decal, Rear Emergency Exit	
2	1001162804	1	Window, Rear Dropout	

SECTION 6 - CAB

FIGURE 6-24. REAR DROPOUT WINDOW INSTALLATION (ISO)



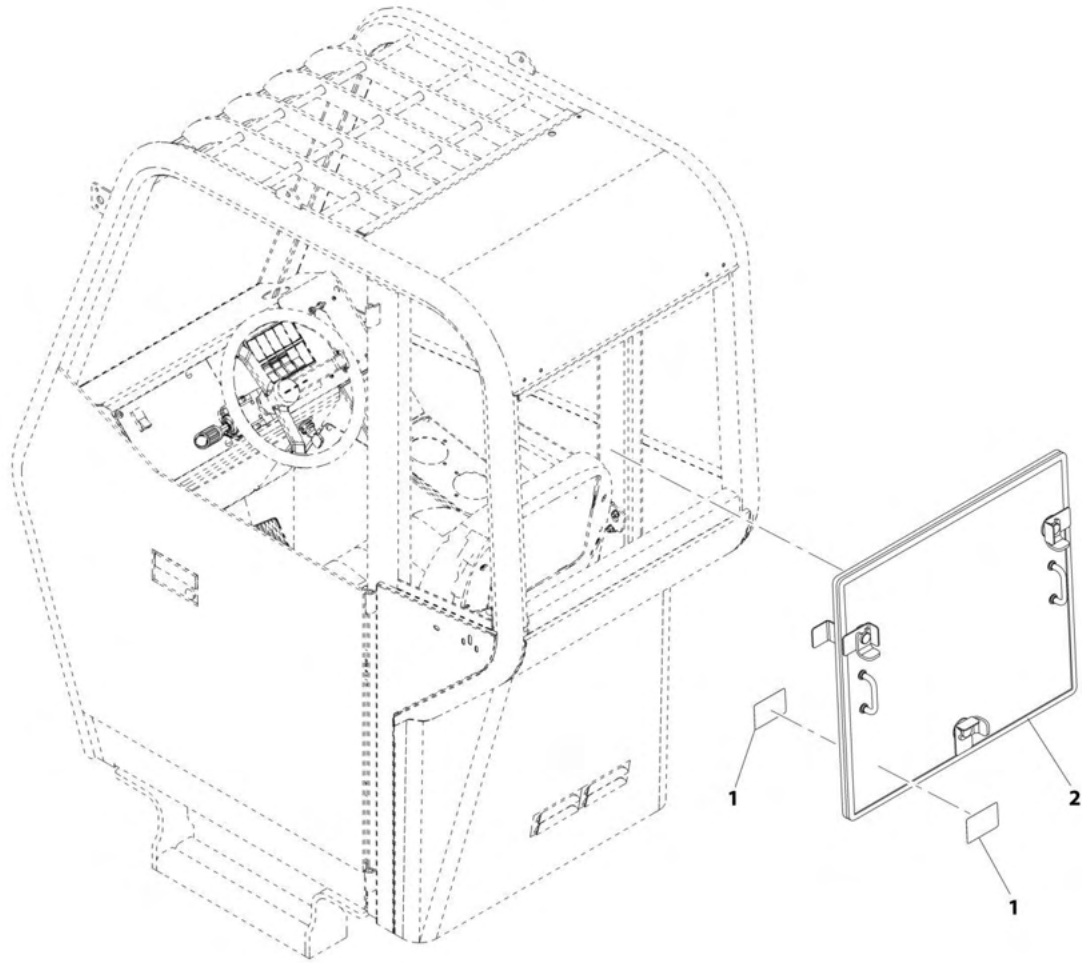
ART_1001167251-A

FIGURE 6-24. REAR DROPOUT WINDOW INSTALLATION (ISO)

ITEM	PART NUMBER	QTY	DESCRIPTION	REV
	1001167251	Ref	Rear Dropout Window Installation (ISO)	A
1	1001160912	2	Decal, Rear Emergency Exit	
2	1001162804	1	Window, Rear Dropout	

SECTION 6 - CAB

FIGURE 6-25. REAR DROPOUT WINDOW INSTALLATION (ENGLISH/SPANISH)



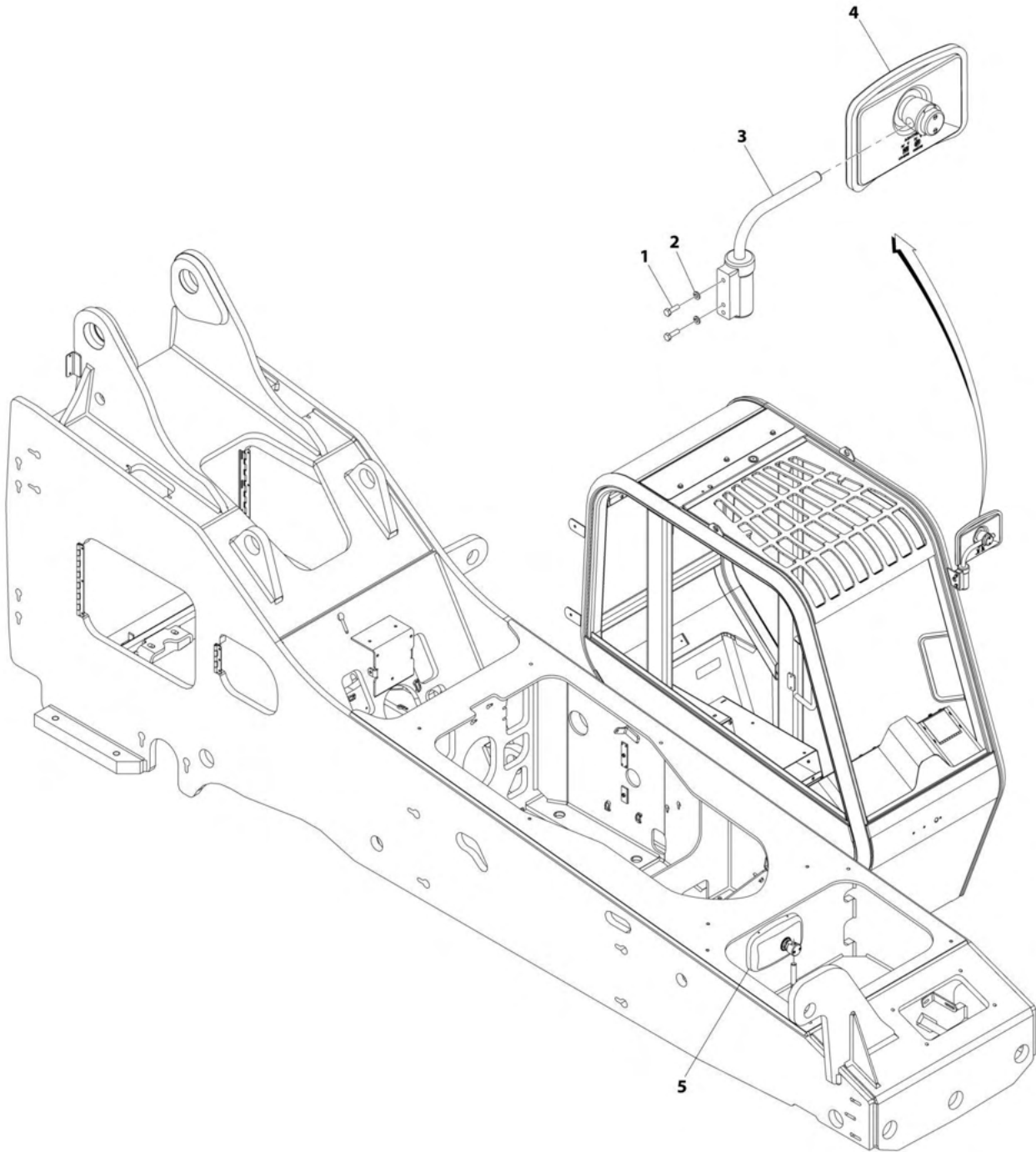
ART_1001242916-A

FIGURE 6-25. REAR DROPOUT WINDOW INSTALLATION (ENGLISH/SPANISH)

ITEM	PART NUMBER	QTY	DESCRIPTION	REV
	1001242916	Ref	Rear Window Exit Installation (ENG/SP)	A
1	1001237845	2	Decal, Rear Window Entry/Exit	
2	1001162804	1	Window	

SECTION 6 - CAB

FIGURE 6-26. MIRROR INSTALLATION



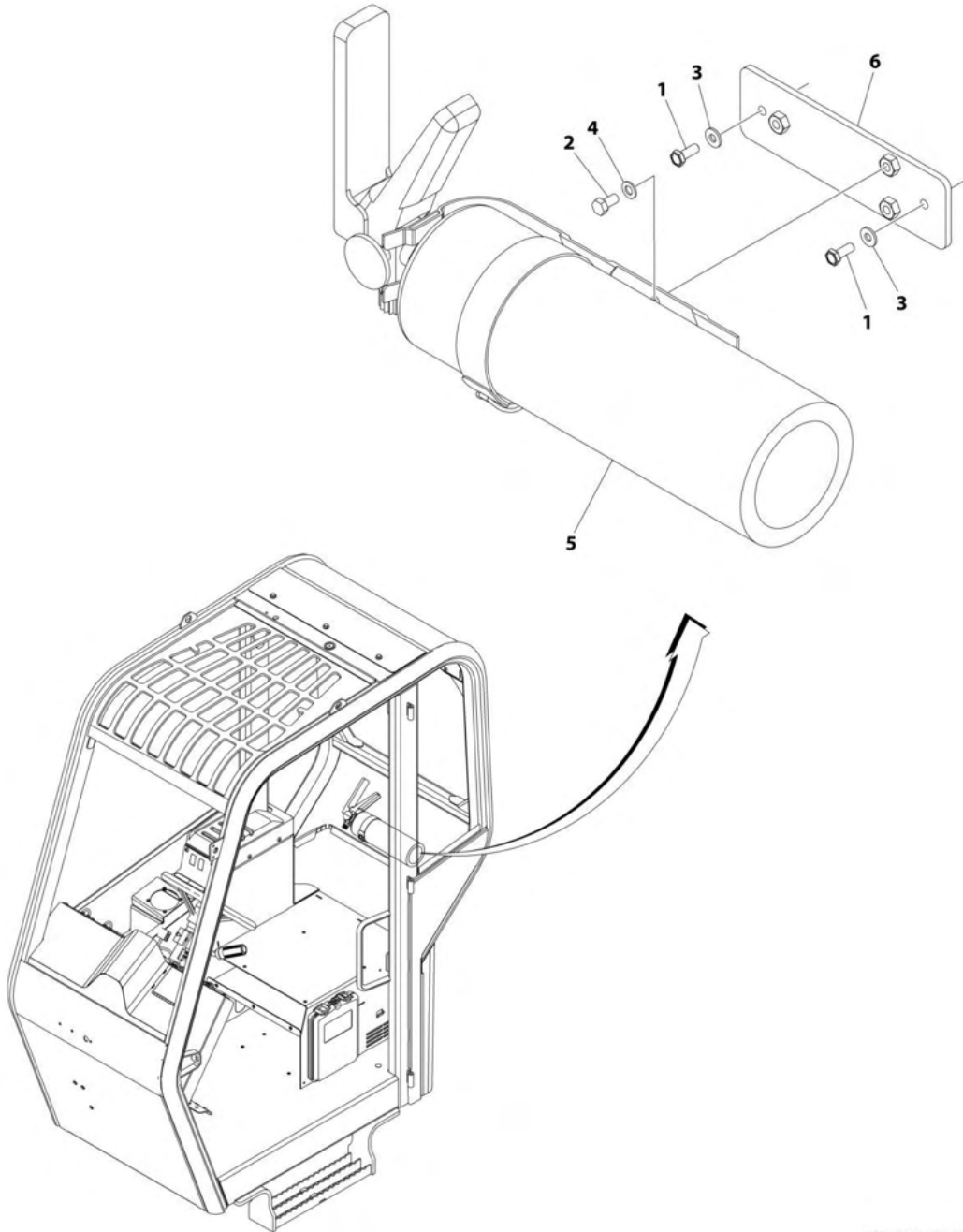
ART_1001242926-A

FIGURE 6-26. MIRROR INSTALLATION

ITEM	PART NUMBER	QTY	DESCRIPTION	REV
	1001242926	Ref	Mirror Installation	A
1	0700610	2	Capscrew, M6 x 20	
2	8307024	2	Washer, M6	
3	1001114675	1	Arm, Mirror	
4	1001148177	1	Mirror, Rectangular	
5	1001191635	1	Mirror Assembly, RH	

SECTION 6 - CAB

FIGURE 6-27. FIRE EXTINGUISHER INSTALLATION



ART_1001258100

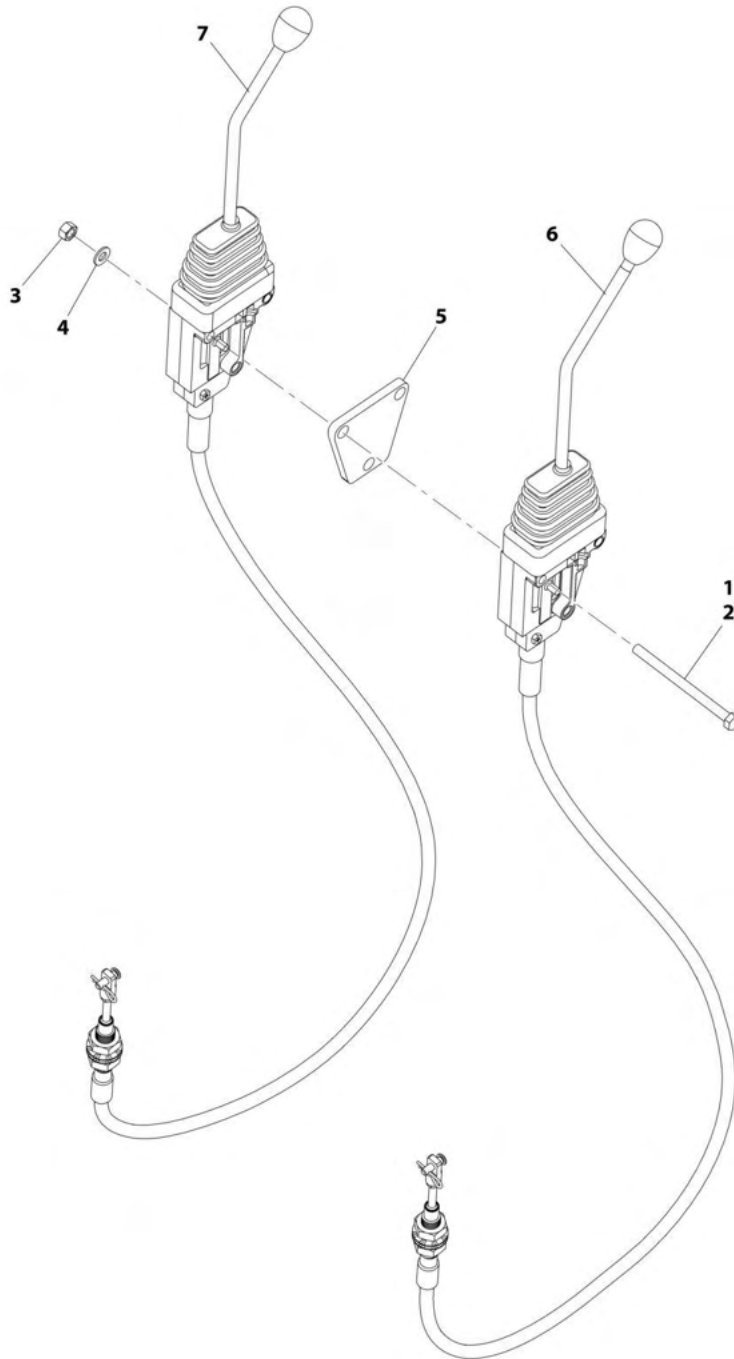
FIGURE 6-27. FIRE EXTINGUISHER INSTALLATION

ITEM	PART NUMBER	QTY	DESCRIPTION	REV
	1001258100	Ref	Skytrak Fire Extinguisher Installation	A
1	0721004	2	Screw M10X1/2	
2	0760505	3	Bolt M5X10	
3	4750800	2	Washer M8	
4	4811600	3	Washer M5	
5	1001099699	1	Extinguisher, Fire with Bracket	
5	1001100082	1	Bracket	
6	1001241305	1	Bracket	

SECTION 7 - CONTROLS

SECTION 7 - CONTROLS

FIGURE 7-1. SECONDARY CONTROLS INSTALLATION



ART_1001244650

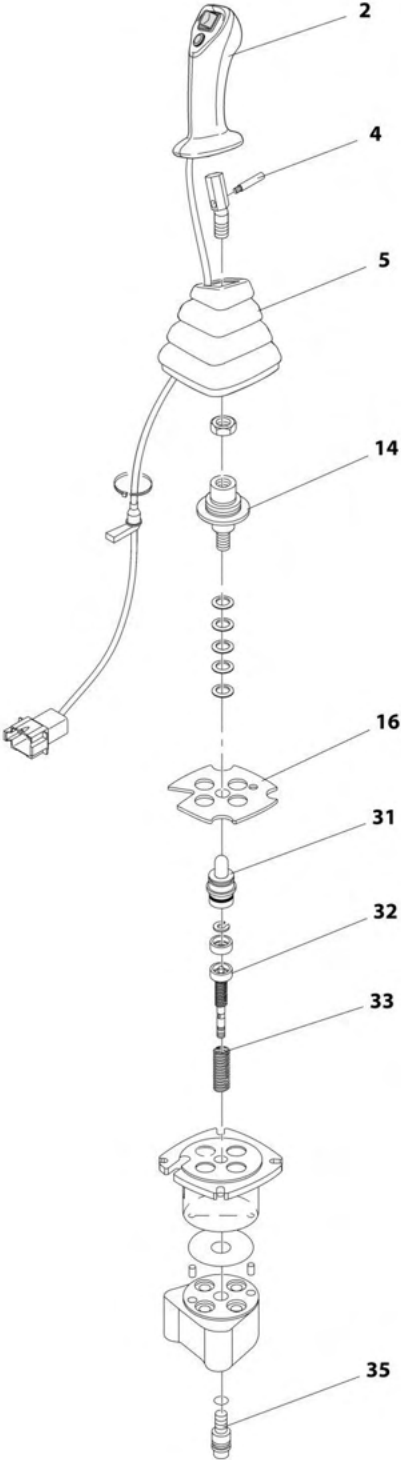
SECTION 7 - CONTROLS

FIGURE 7-1. SECONDARY CONTROLS INSTALLATION

ITEM	PART NUMBER	QTY	DESCRIPTION	REV
	1001244650	Ref	Secondary Controls Installation	C
1	0100011	AR	Compound, Locking	
2	0700828	3	Bolt, M8X110	
3	8305043	3	Nut, M8X1-1/4	
4	8307222	3	Washer, Plain M8	
5	1001174340	1	Bracket, Control Spacer Plate	
6	1001244652	1	Auxiliary Control Assembly	
6	1001173581	1	Control, Auxiliary	
6	1001244654	1	Cable, Auxiliary Control	
7	1001244653	1	Frame Level Control Assembly	
7	1001173582	1	Control, Frame Level	
7	1001244654	1	Cable, Frame Level	

SECTION 7 - CONTROLS

FIGURE 7-2. PILOT JOYSTICK CONTROL



ART_1001158002-B

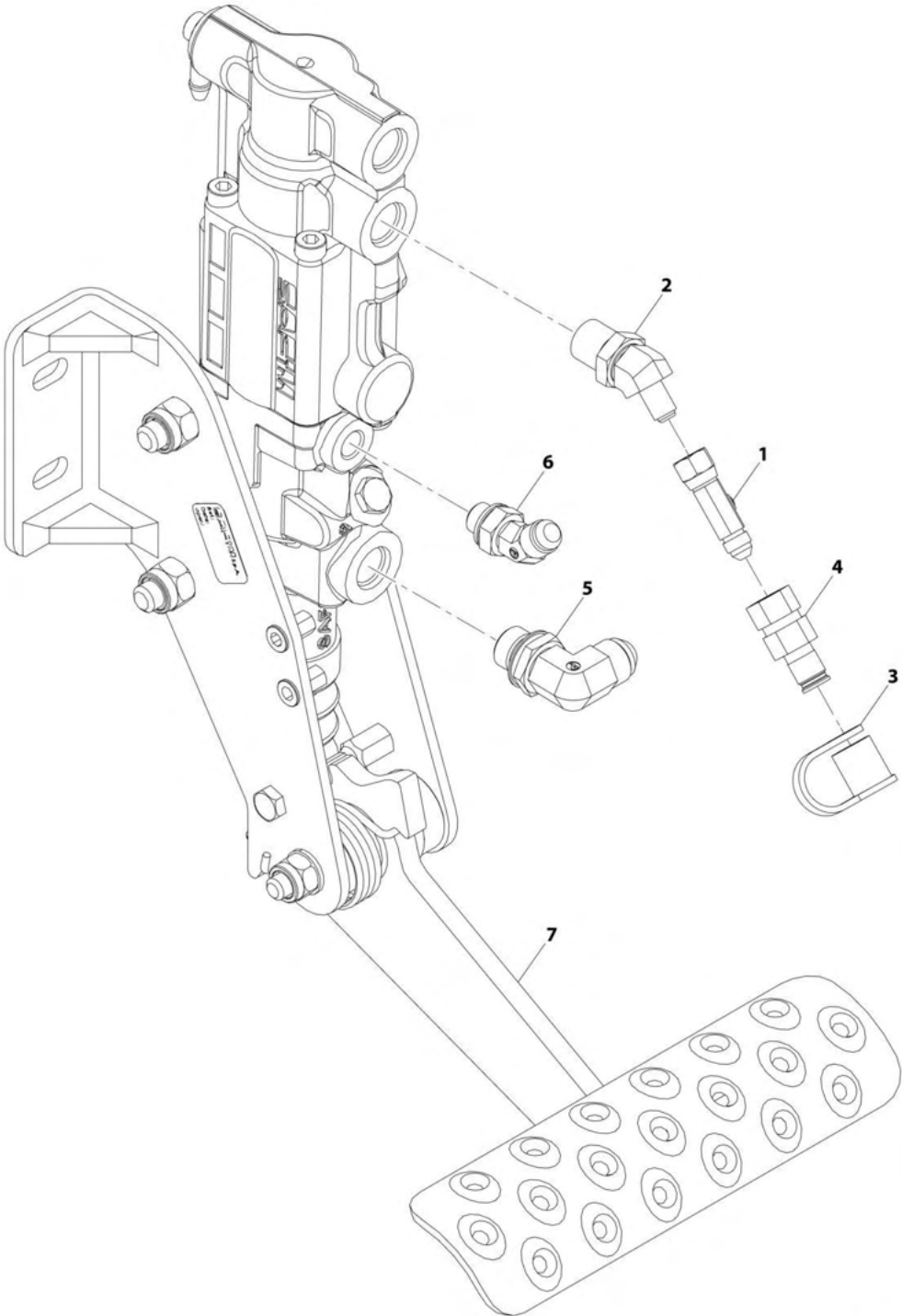
SECTION 7 - CONTROLS

FIGURE 7-2. PILOT JOYSTICK CONTROL

ITEM	PART NUMBER	QTY	DESCRIPTION	REV
	1001158002	Ref	Pilot Joystick Control	B
2	70026097	1	Handle	
4	91404011	1	Kit, Bent Lever	
5	80364095	1	Boot, Rubber	
14	80264138	1	Kit, Cardan	
16	91404013	1	Plate, Retaining	
31	91304025	2	Kit, Plunger (set of two)	
32	70026098	4	Unit, Regulating	
33	91514225	1	Spring, Return (set of four)	
35	91404326	1	Kit, Seal	

SECTION 7 - CONTROLS

FIGURE 7-3. BRAKE ASSEMBLY - SAFIM



ART_1001223052-A

SECTION 7 - CONTROLS

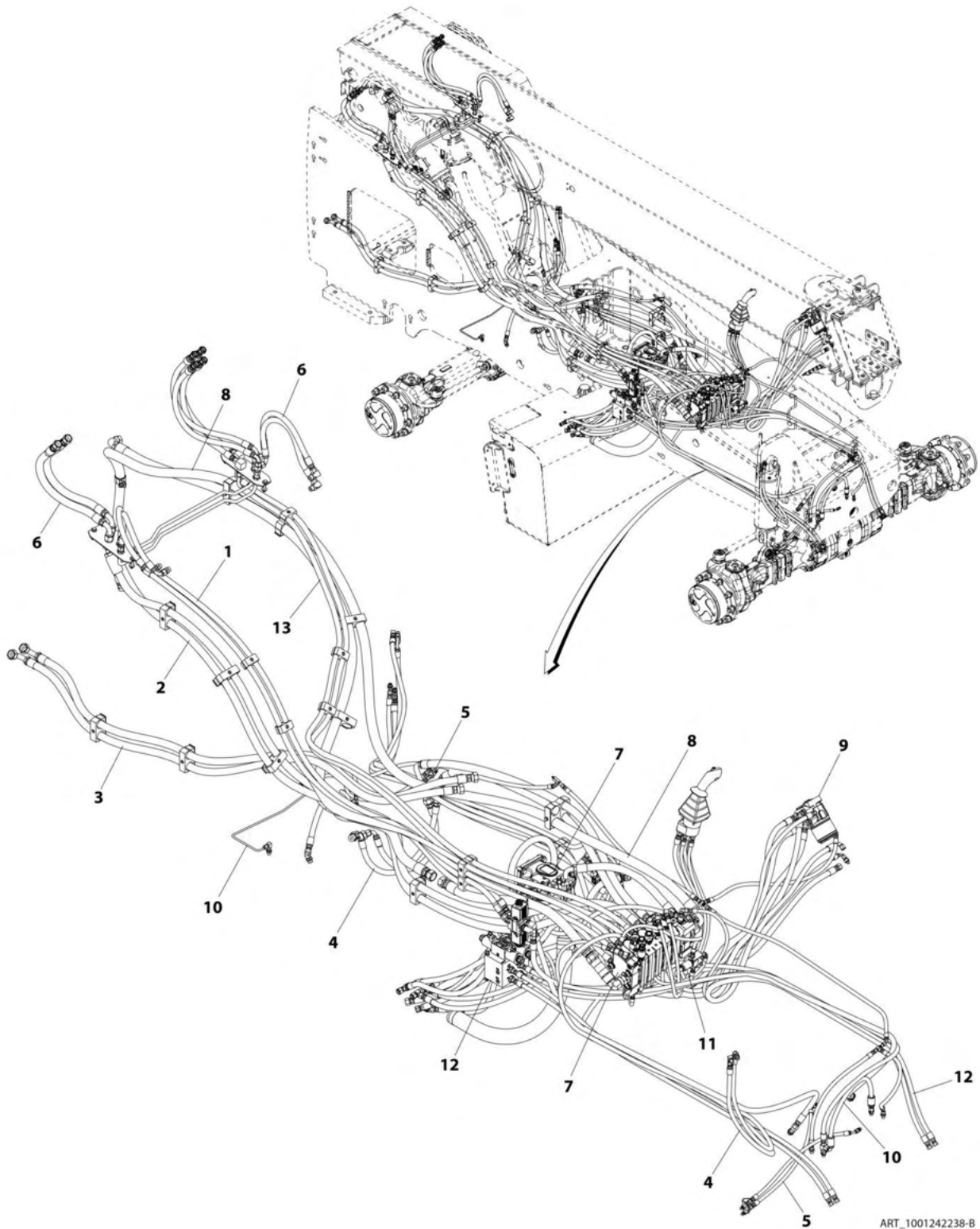
FIGURE 7-3. BRAKE ASSEMBLY - SAFIM

ITEM	PART NUMBER	QTY	DESCRIPTION	REV
	1001223052	Ref	Brake Assembly - Safim	A
1	2220605	1	Adapter	
2	2221344	1	Adapter	
3	8430032	1	Plug, Dust Cap	
4	10727374	1	Adapter	
5	91473086	1	Adapter	
6	1001183341	1	Adapter	
7	1001223050	1	Installation, Hydraulic Brake Valve (See Separate Breakdown in HYDRAULIC CIRCUITS Section)	

SECTION 8 - HYDRAULIC CIRCUITS

SECTION 8 - HYDRAULIC CIRCUITS

FIGURE 8-1. HYDRAULIC INSTALLATION



ART_1001242238-B

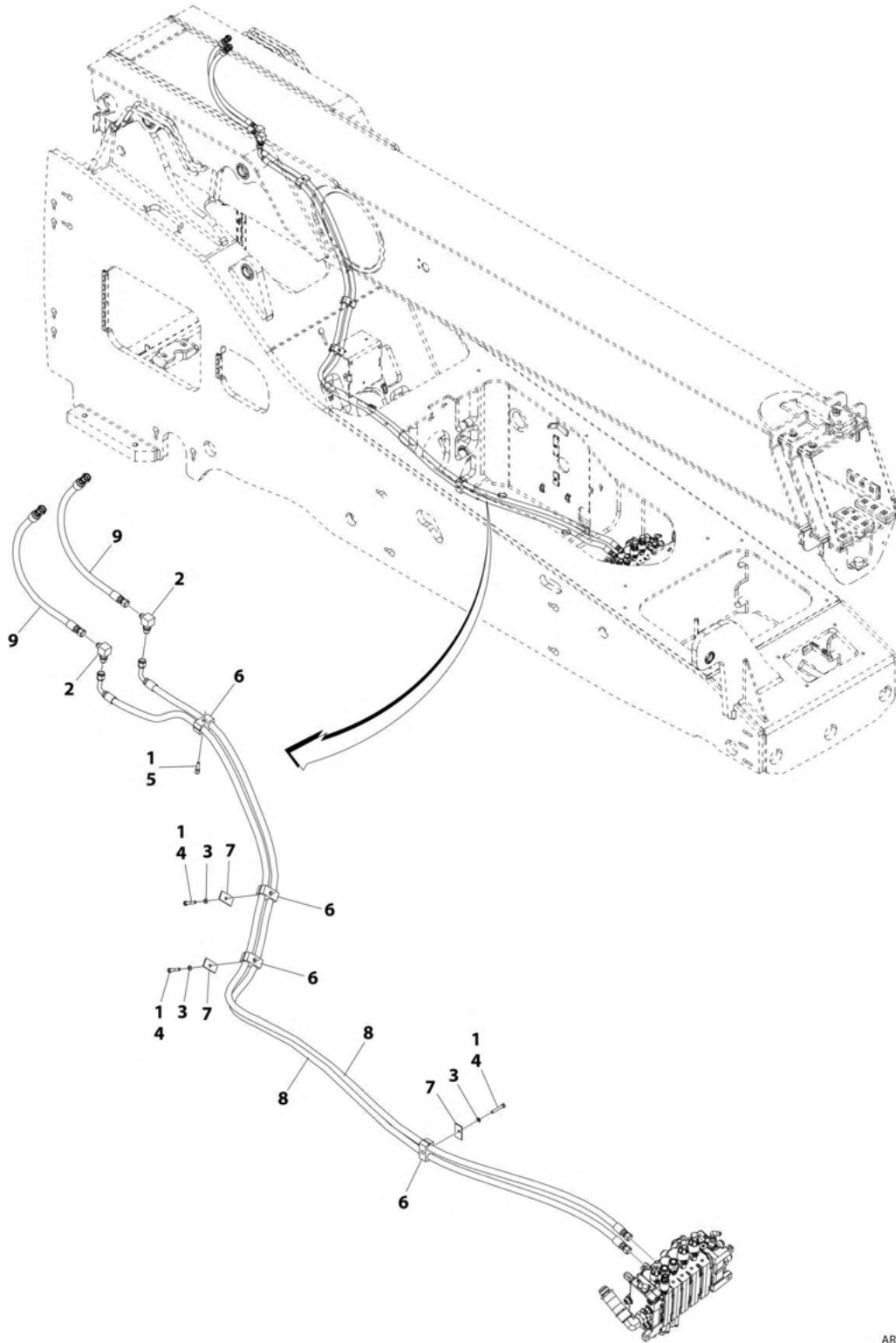
SECTION 8 - HYDRAULIC CIRCUITS

FIGURE 8-1. HYDRAULIC INSTALLATION

ITEM	PART NUMBER	QTY	DESCRIPTION	REV
	1001242238	Ref	Hydraulic Installation	B
1	1001158040	Ref	Fork Tilt Hydraulic Installation (See Separate Breakdown in this Section)	
2	1001158046	Ref	Extend Cylinder Installation (See Separate Breakdown in this Section)	
3	1001171873	Ref	Transmission Cooler Hydraulic Plumbing Installation (See Separate Breakdown in this Section)	
4	1001173841	Ref	Frame Cylinders Hydraulic Installation (See Separate Breakdown in this Section)	
5	1001250818	Ref	Axle Pin Lube Kit Installation (See Separate Breakdown in this Section)	
6	1001242243	Ref	Rear Bulkhead Installation (See Separate Breakdown in this Section)	
7	1001243412	Ref	Pump Hydraulic Installation (See Separate Breakdown in this Section)	
8	1001244308	Ref	Cooler Hydraulic Plumbing Installation (See Separate Breakdown in this Section)	
9	1001244357	Ref	Cab Hydraulics Installation (See Separate Breakdown in this Section)	
10	1001244530	Ref	Axle Hydraulic Installation (See Separate Breakdown in this Section)	
11	1001244610	Ref	Extend Cylinder Lockout Installation (See Separate Breakdown in this Section)	
12	1001244867	Ref	Frame Hydraulics Installation (See Separate Breakdown in this Section)	
13	1001245059	Ref	Auxiliary Hydraulics Installation (See Separate Breakdown in this Section)	

SECTION 8 - HYDRAULIC CIRCUITS

FIGURE 8-2. AUXILIARY HYDRAULICS INSTALLATION



ART_1001245059-A

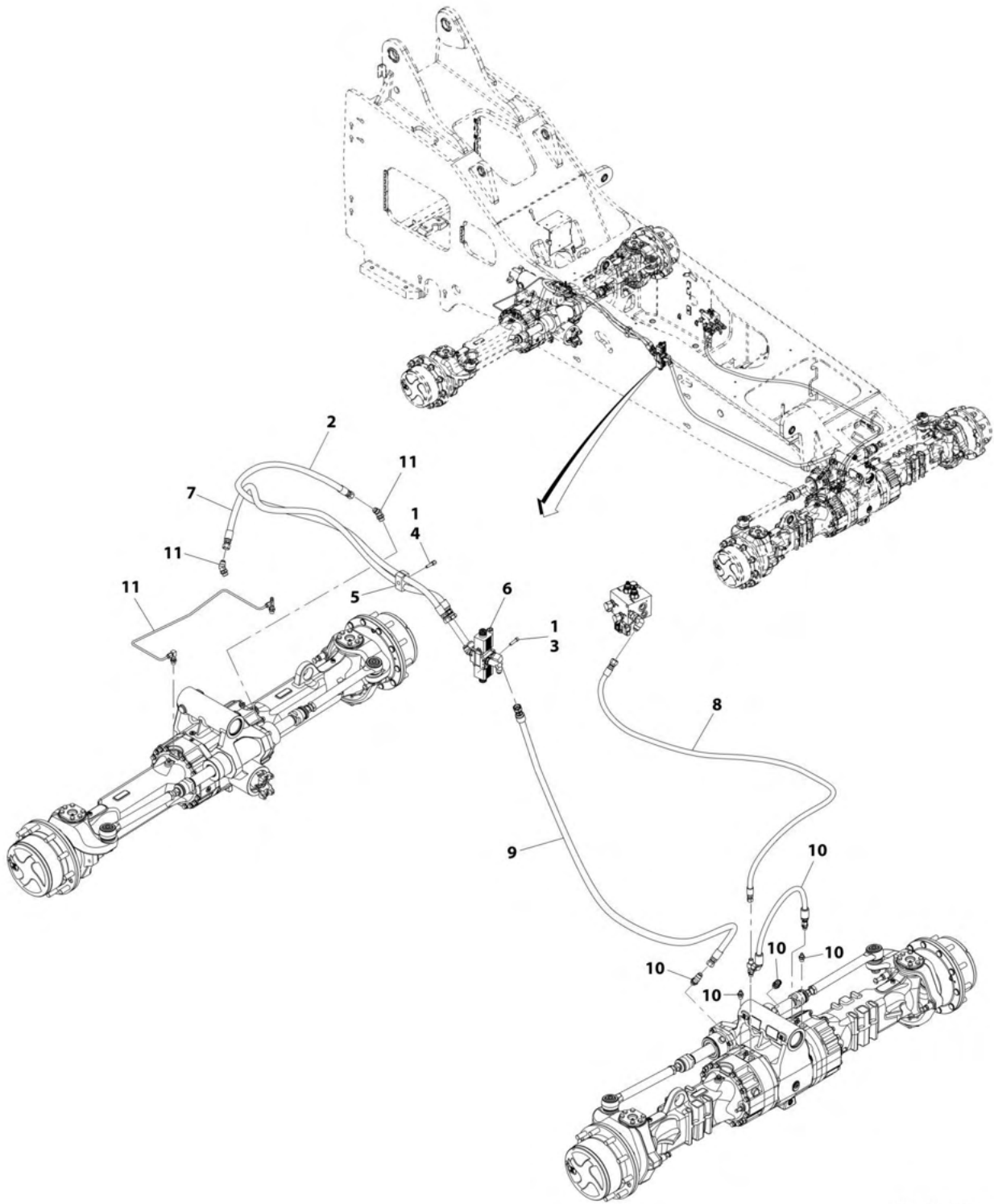
SECTION 8 - HYDRAULIC CIRCUITS

FIGURE 8-2. AUXILIARY HYDRAULICS INSTALLATION

ITEM	PART NUMBER	QTY	DESCRIPTION	REV
	1001245059	Ref	Auxiliary Hydraulics Installation	A
1	0100011	AR	Compound, Locking	
2	2230044	2	Adapter, JIC	
3	8307004	3	Washer	
4	8310009	3	Bolt, 5/16-18X2	
5	8750012	1	Bolt, Stacking	
6	8750027	4	Clamp Set, Twin	
7	8769128	3	Cover Plate, Twin	
8	1001245060	2	Hose Assembly	
9	1001245061	2	Hose Assembly	

SECTION 8 - HYDRAULIC CIRCUITS

FIGURE 8-3. AXLE HYDRAULIC INSTALLATION



ART_1001244530-A

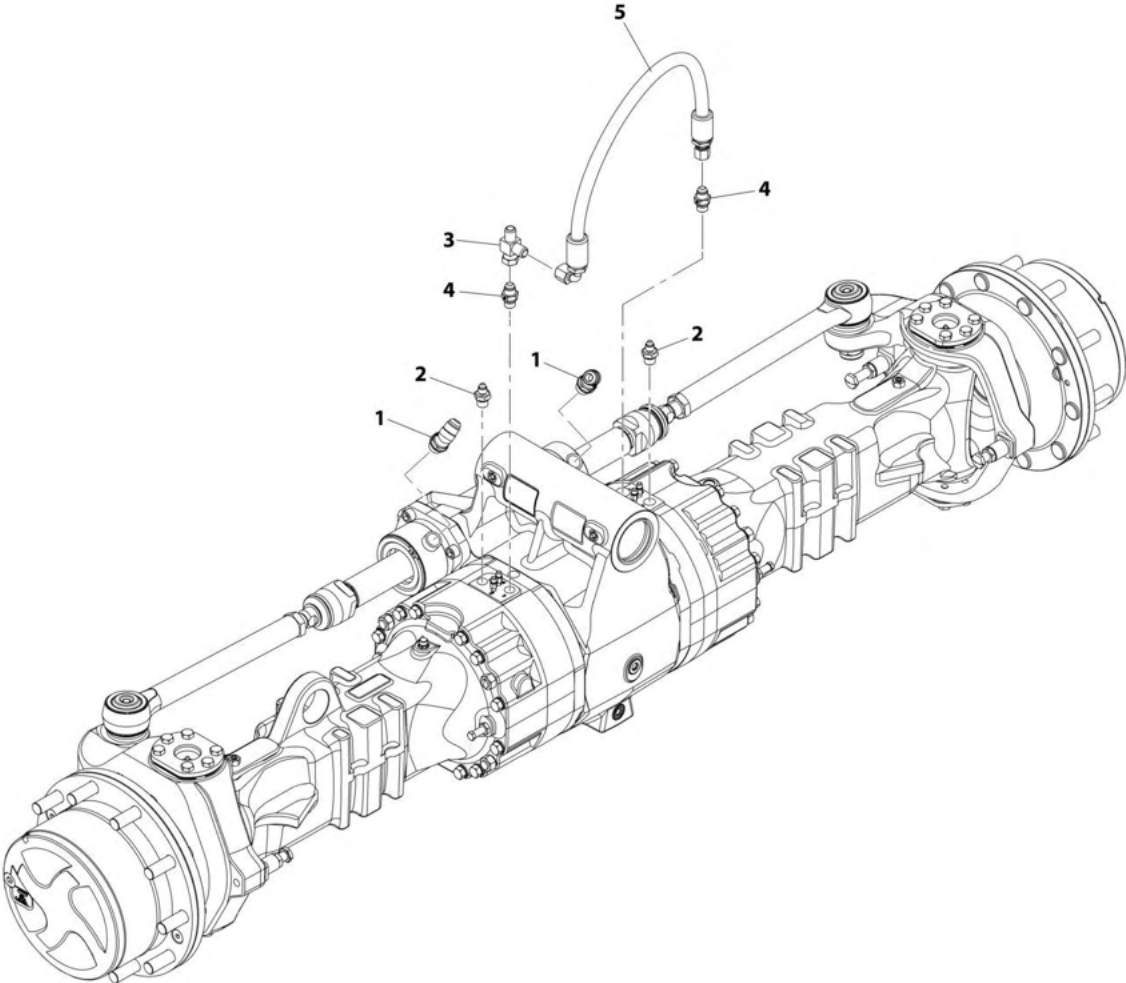
SECTION 8 - HYDRAULIC CIRCUITS

FIGURE 8-3. AXLE HYDRAULIC INSTALLATION

ITEM	PART NUMBER	QTY	DESCRIPTION	REV
	1001244530	Ref	Axle Hydraulic Installation	A
1	0100011	AR	Compound, Locking	
2	2716673	1	Hose	
3	8304608	2	Screw, 5/16X1-1/2	
4	8750012	1	Bolt	
5	8750027	1	Clamp Set	
6	1001172784	1	Valve Assembly	
7	1001178224	1	Hose Assembly	
8	1001194620	1	Hose Assembly	
9	1001194745	1	Hose Assembly	
10	1001224459	1	Front Hydraulic Assembly, Axle (See Separate Breakdown in this Section)	
11	1001244504	1	Rear Hydraulic Assembly, Axle (See Separate Breakdown in this Section)	

SECTION 8 - HYDRAULIC CIRCUITS

FIGURE 8-4. AXLE HYDRAULIC ASSEMBLY (FRONT)



ART_1001224459-C

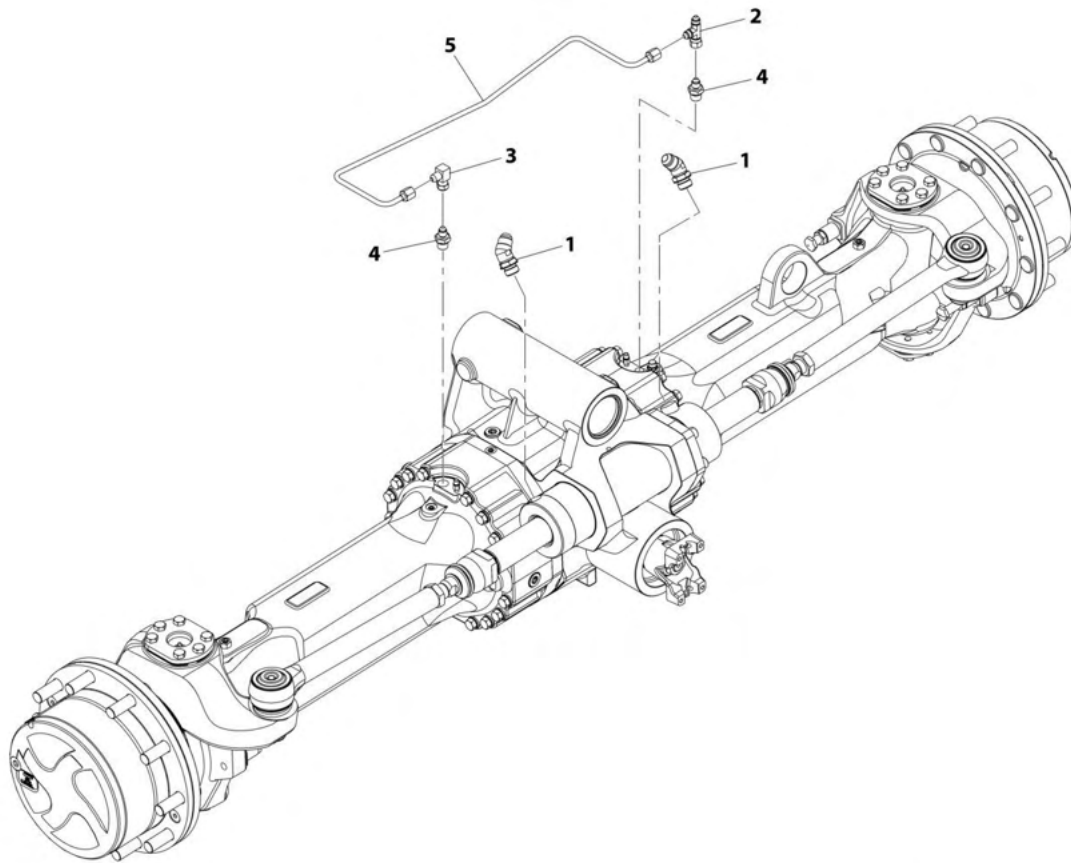
SECTION 8 - HYDRAULIC CIRCUITS

FIGURE 8-4. AXLE HYDRAULIC ASSEMBLY (FRONT)

ITEM	PART NUMBER	QTY	DESCRIPTION	REV
	1001224459	Ref	Front Axle Hydraulic Assembly	C
1	2220500	2	Adapter, Straight	
2	1001227636	2	Adapter, Straight	
3	2220635	1	Adapter, Run Tee	
4	8770064	2	Fitting	
5	1001224467	1	Hose Assembly	

SECTION 8 - HYDRAULIC CIRCUITS

FIGURE 8-5. AXLE HYDRAULIC ASSEMBLY (REAR)



ART_1001244504-A

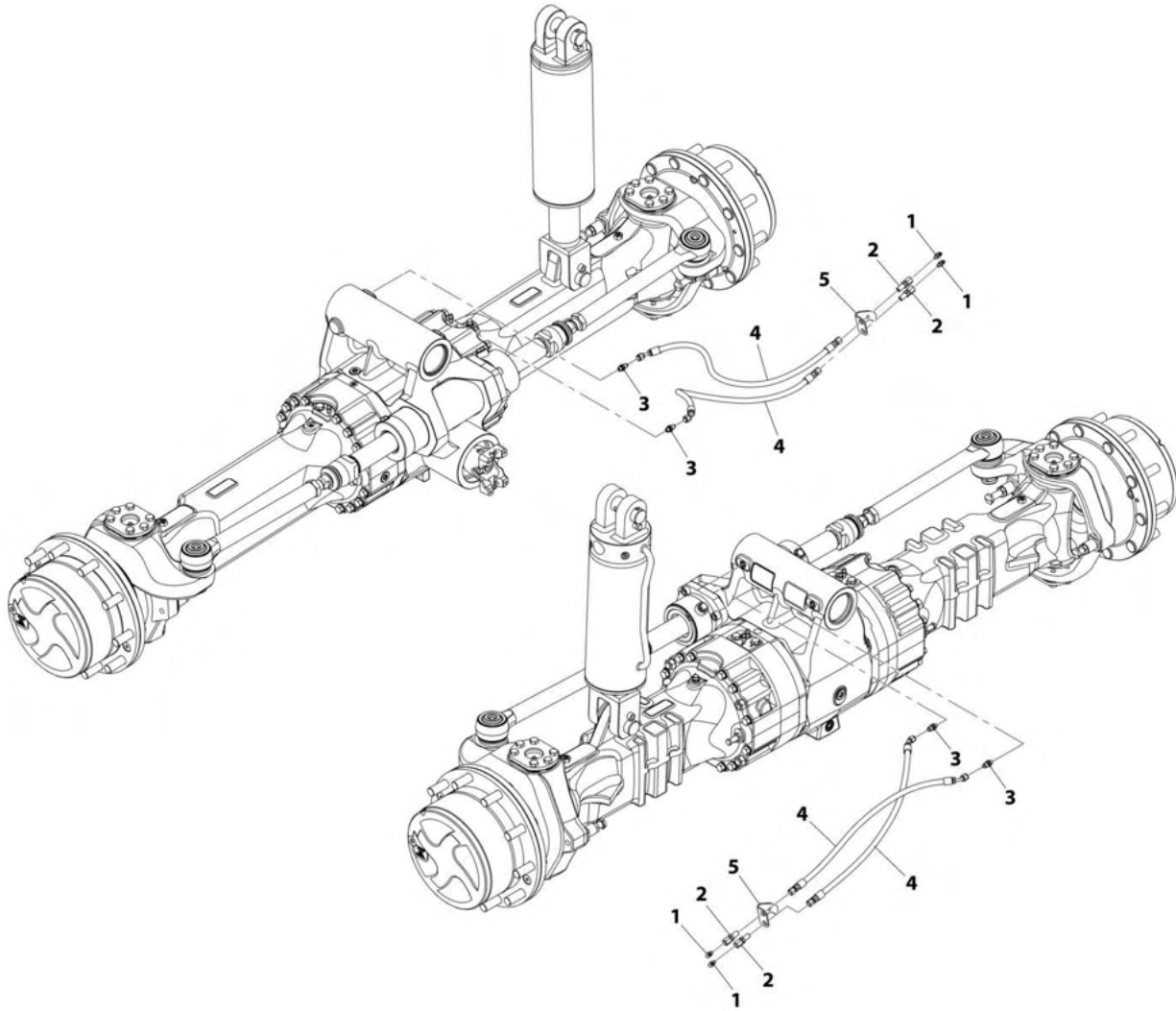
SECTION 8 - HYDRAULIC CIRCUITS

FIGURE 8-5. AXLE HYDRAULIC ASSEMBLY (REAR)

ITEM	PART NUMBER	QTY	DESCRIPTION	REV
	1001244504	Ref	Rear Axle Hydraulic Installation	A
1	2220500	2	Adapter, Straight	
2	2220605	1	Fitting, Tee	
3	2220654	1	Adapter, Straight	
4	1001227636	2	Adapter, Straight	
5	1001244505	1	Pipe Rear Axle Brake	

SECTION 8 - HYDRAULIC CIRCUITS

FIGURE 8-6. AXLE PIN LUBE KIT INSTALLATION



ART_1001250818-A

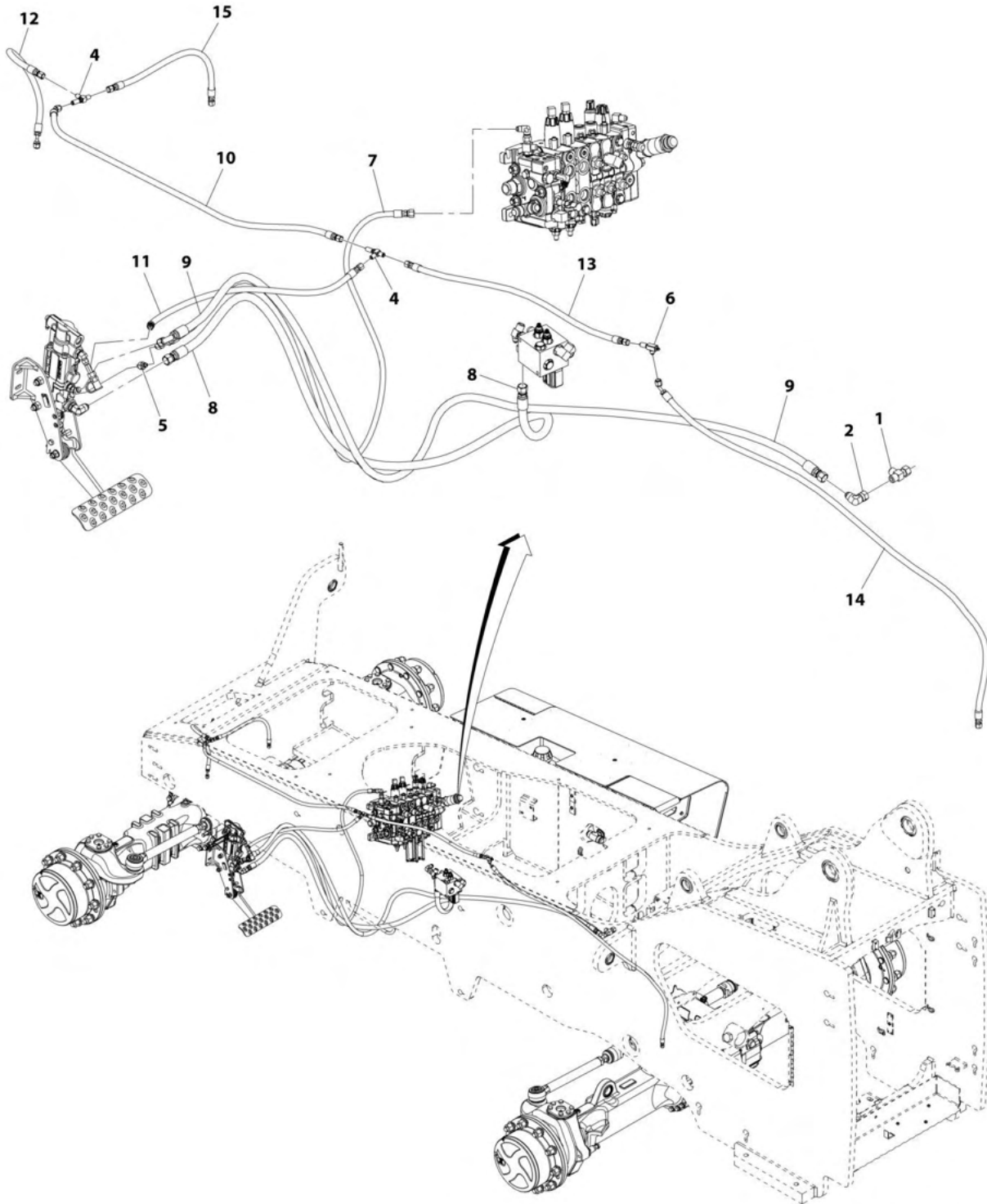
SECTION 8 - HYDRAULIC CIRCUITS

FIGURE 8-6. AXLE PIN LUBE KIT INSTALLATION

ITEM	PART NUMBER	QTY	DESCRIPTION	REV
	1001250818	Ref	Axle Pin Lube Kit Installation	A
1	8520003	4	Fitting Lube	
2	80623016	4	Adapter, JIC	
3	1001107589	4	Adapter, Straight JIC	
4	1001226795	4	Hose Assembly	
5	1001250506	2	Bracket, Grease	

SECTION 8 - HYDRAULIC CIRCUITS

FIGURE 8-7. BRAKE HYDRAULICS INSTALLATION



ART_1001245054-B

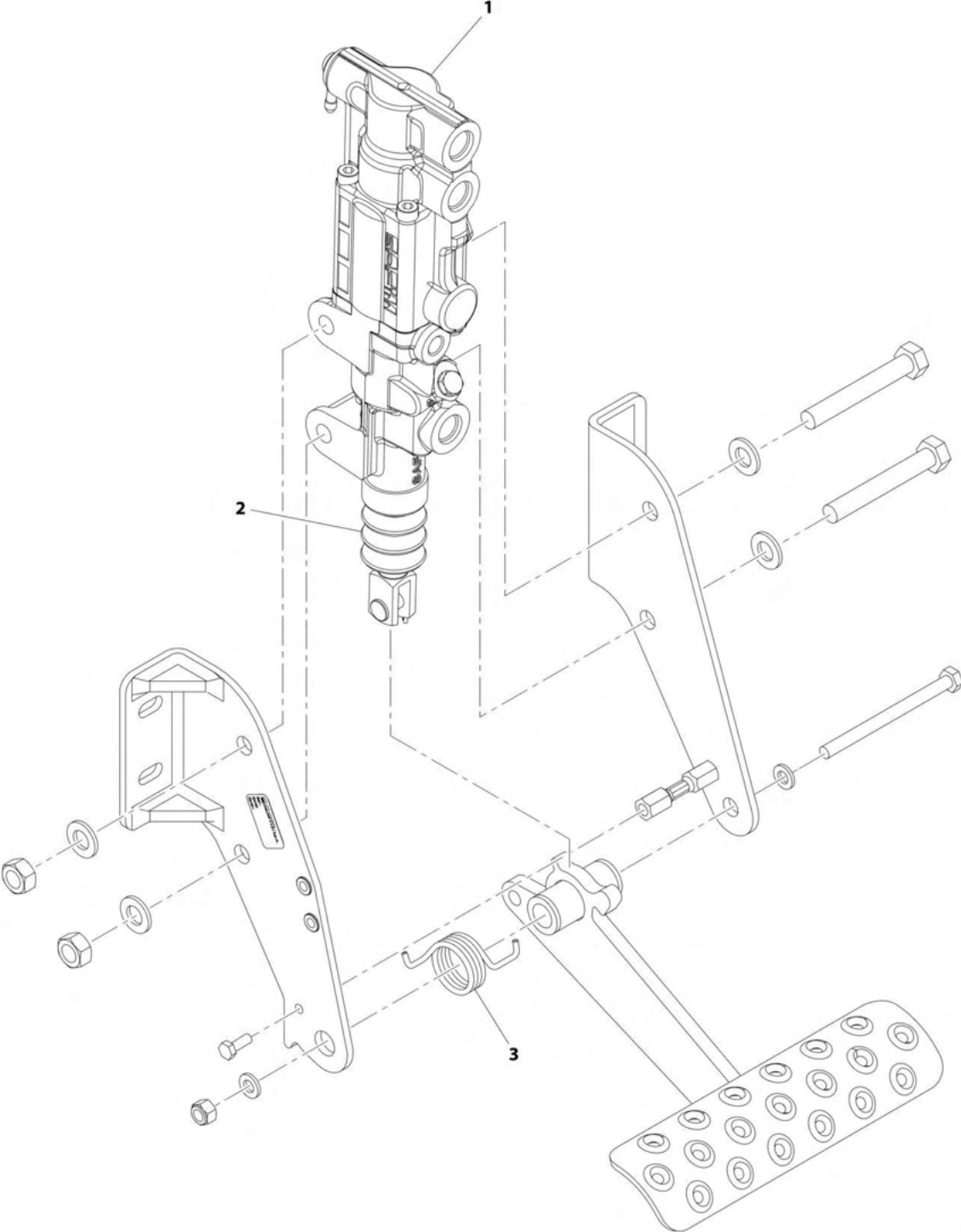
SECTION 8 - HYDRAULIC CIRCUITS

FIGURE 8-7. BRAKE HYDRAULICS INSTALLATION

ITEM	PART NUMBER	QTY	DESCRIPTION	REV
	1001245054	Ref	Hydraulic Brake Installation	B
1	2220385	1	Adapter, Run Tee	
2	8765204	1	Adapter, Straight	
4	10728823	2	Bulkhead Connector Tee	
5	1001183370	1	Check Valve	
6	1001201734	1	Brake Bleeder Tee, Manifold	
7	1001244980	1	Hose Assembly	
8	1001201737	1	Hose Assembly	
9	1001201738	1	Hose Assembly	
10	1001210093	1	Hose Assembly	
11	1001210859	1	Hose Assembly	
12	1001210860	1	Hose Assembly	
13	1001210862	1	Hose Assembly	
14	1001210863	1	Hose Assembly	
15	1001219045	1	Hose Assembly	

SECTION 8 - HYDRAULIC CIRCUITS

FIGURE 8-8. BRAKE VALVE INSTALLATION



ART_1001223050-B

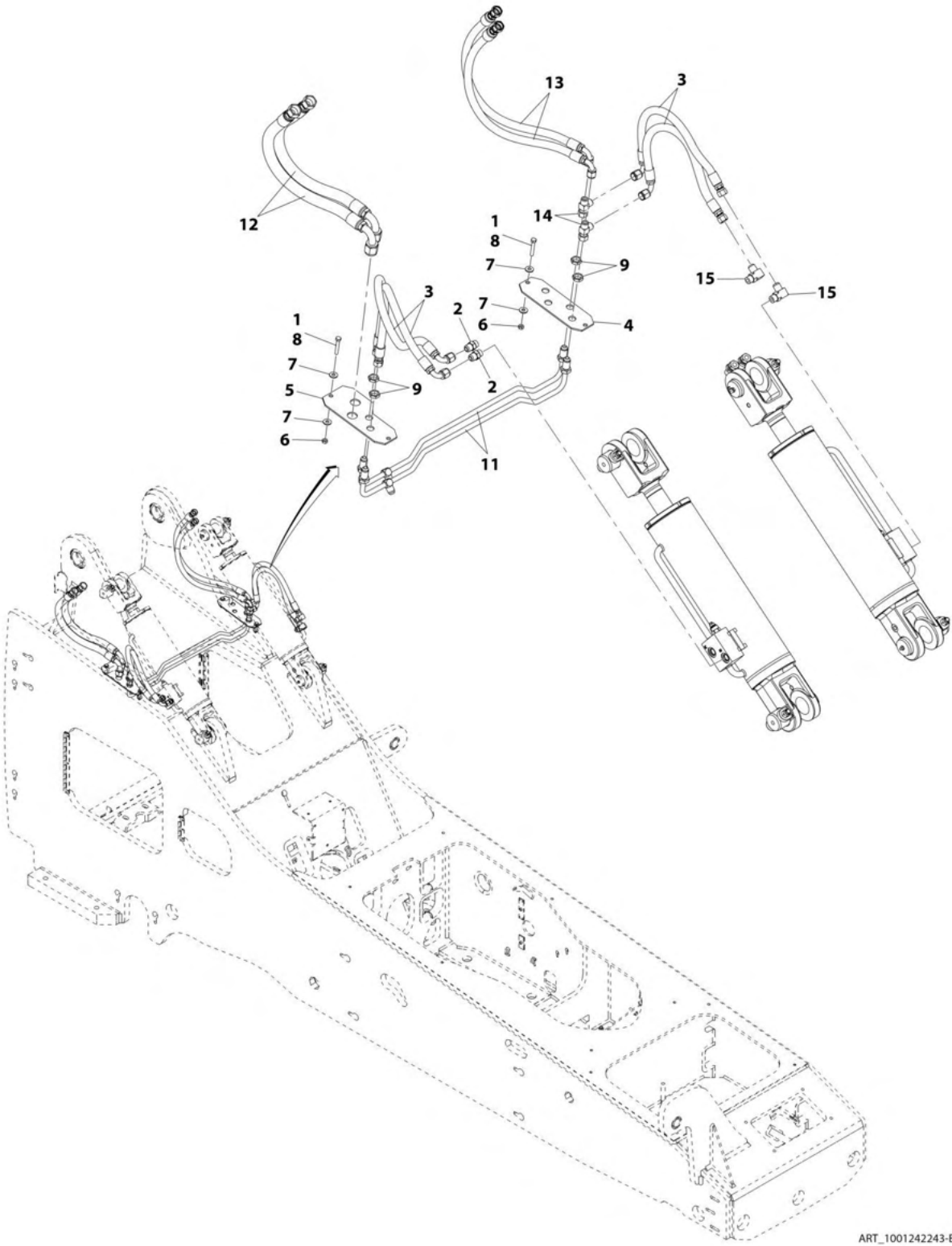
SECTION 8 - HYDRAULIC CIRCUITS

FIGURE 8-8. BRAKE VALVE INSTALLATION

ITEM	PART NUMBER	QTY	DESCRIPTION	REV
1	1001223050	Ref	Hydraulic Brake Valve Installation	B
	1001201721	1	Brake Valve (See Separate Breakdown in HYDRAULIC COMPONENTS Section)	
2	70025859	1	Dust Cover	
3	70028547	1	Spring, Return	

SECTION 8 - HYDRAULIC CIRCUITS

FIGURE 8-9. BULKHEAD INSTALLATION (REAR)



ART_1001242243-B

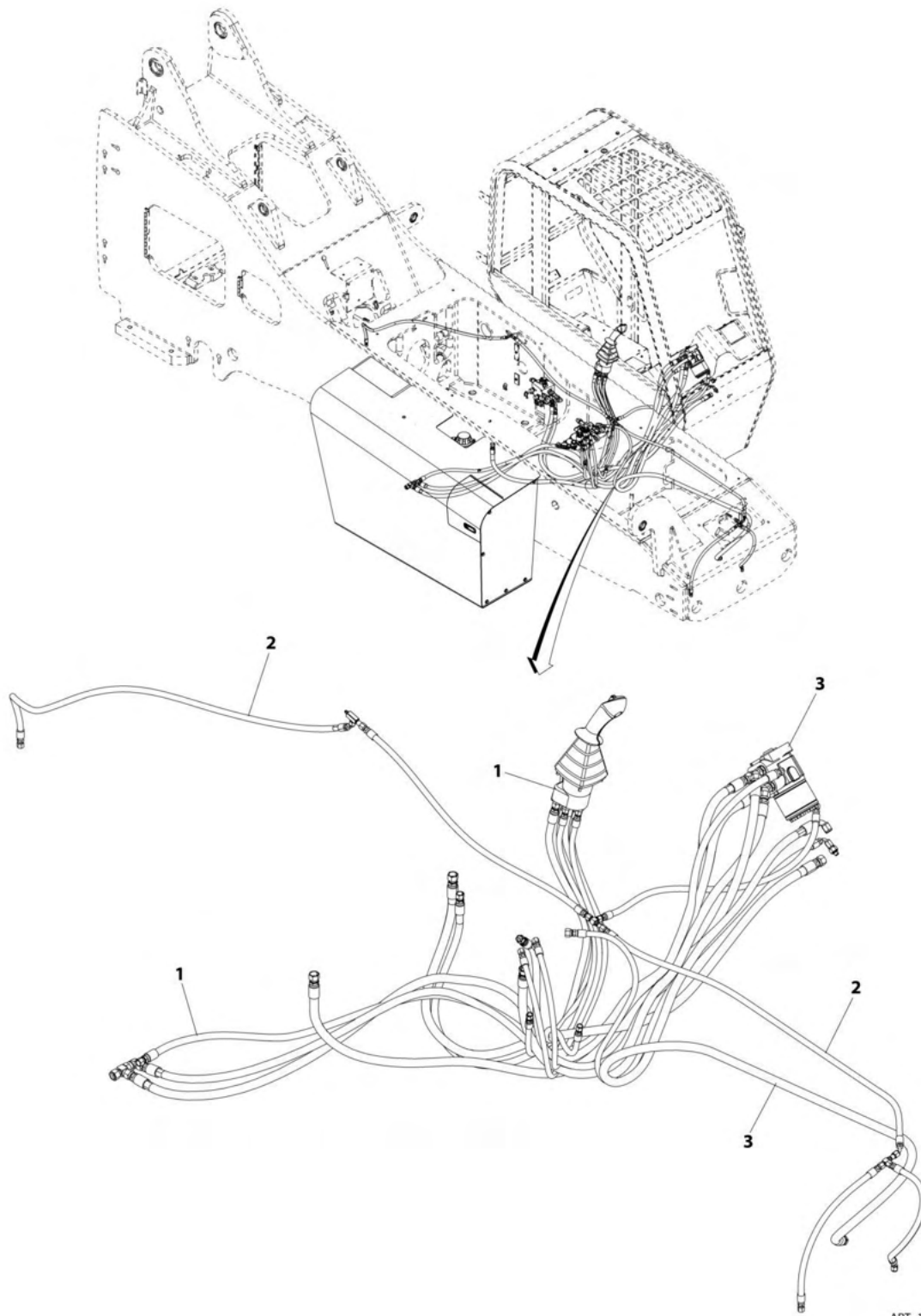
SECTION 8 - HYDRAULIC CIRCUITS

FIGURE 8-9. BULKHEAD INSTALLATION (REAR)

ITEM	PART NUMBER	QTY	DESCRIPTION	REV
	1001242243	Ref	Rear Bulkhead Installation	B
1	0100011	AR	Compound, Locking	
2	2220373	2	Adapter, Straight JIC	
3	2716715	4	Hose	
4	7139504	1	Sheet, Bulkhead	
5	7139505	1	Sheet, Bulkhead	
6	8305006	4	Nut 5/16	
7	8307203	8	Washer	
8	8310009	4	Bolt, 5/16x2	
9	8760463	4	Adapter, Bulkhead Nut	
11	1001246550	2	Manifold, Comp Cylinder Cross Cover	
12	1001245067	2	Hose Assembly	
13	1001245068	2	Hose Assembly	
14	2220385	2	Adapter, Run Tee	
15	2220596	2	Adapter, Straight JIC	

SECTION 8 - HYDRAULIC CIRCUITS

FIGURE 8-10. CAB HYDRAULICS INSTALLATION



ART_1001244357-A

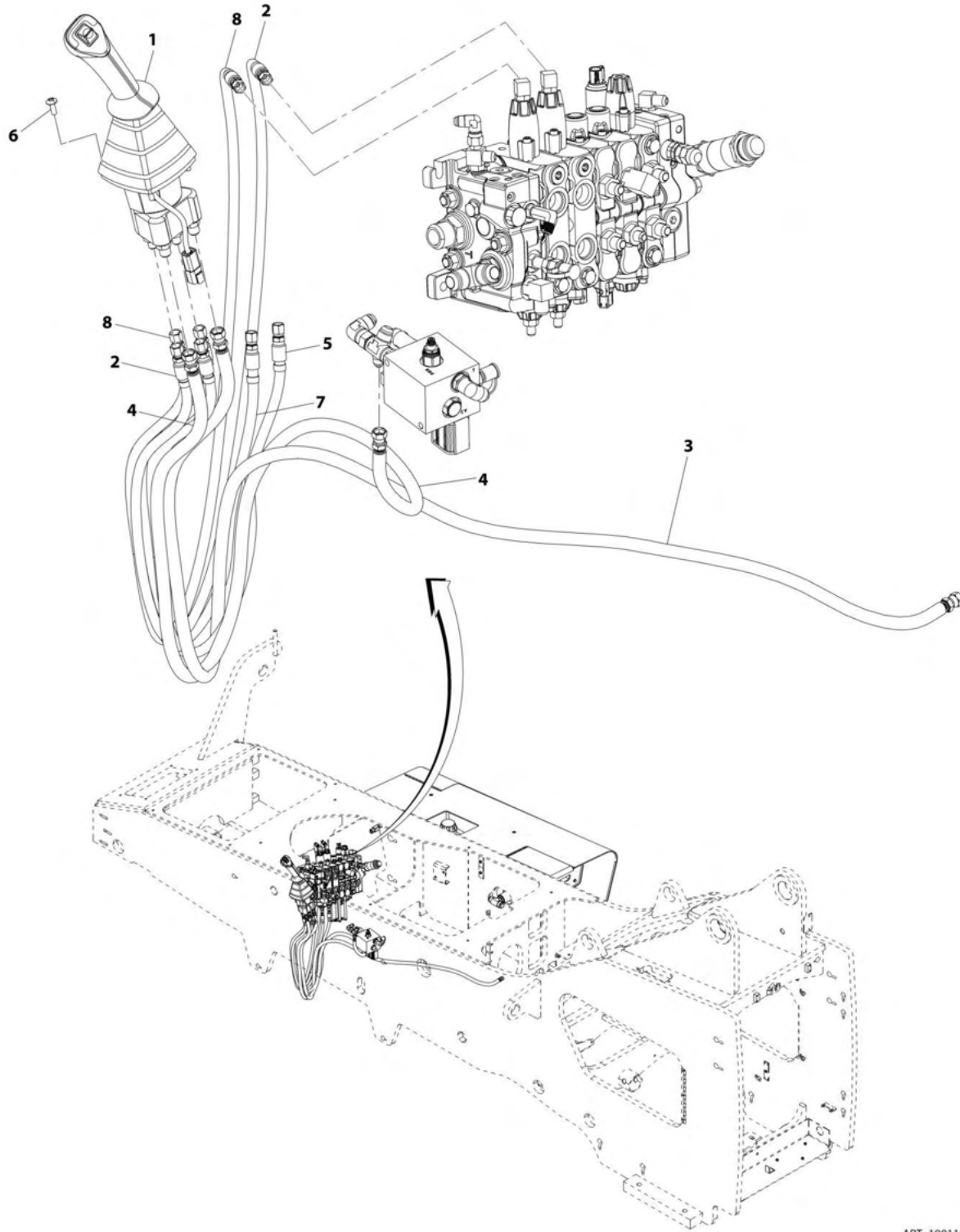
SECTION 8 - HYDRAULIC CIRCUITS

FIGURE 8-10. CAB HYDRAULICS INSTALLATION

ITEM	PART NUMBER	QTY	DESCRIPTION	REV
1	1001244357	Ref	Cab Hydraulics Installation	A
	1001158786	Ref	Pilot Controls Installation (See Separate Breakdown in this Section)	
2	1001245054	Ref	Brake Hydraulic Installation (See Separate Breakdown in this Section)	
3	1001245057	Ref	Steering Hydraulic Installation (See Separate Breakdown in this Section)	

SECTION 8 - HYDRAULIC CIRCUITS

FIGURE 8-11. CAB PILOT CONTROLS INSTALLATION



ART_1001158786-G

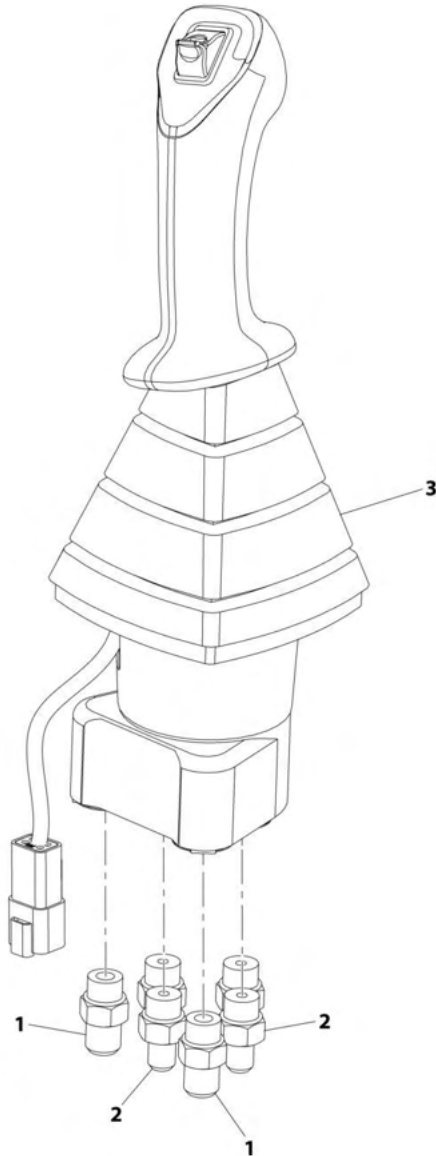
SECTION 8 - HYDRAULIC CIRCUITS

FIGURE 8-11. CAB PILOT CONTROLS INSTALLATION

ITEM	PART NUMBER	QTY	DESCRIPTION	REV
	1001158786	Ref	Pilot Controls Installation	G
1	1001158004	1	Assembly, Pilot Joystick (See Separate Breakdown in this Section)	
2	1001252971	1	Hose	
3	1001254099	1	Hose	
4	1001158398	1	Hose	
5	1001252970	1	Hose	
6	8303034	4	Screw, 1/4-20X3/4	
7	1001252968	1	Hose	
8	1001252969	1	Hose	

SECTION 8 - HYDRAULIC CIRCUITS

FIGURE 8-12. CAB PILOT JOYSTICK CONTROL ASSEMBLY



ART_1001158004-B

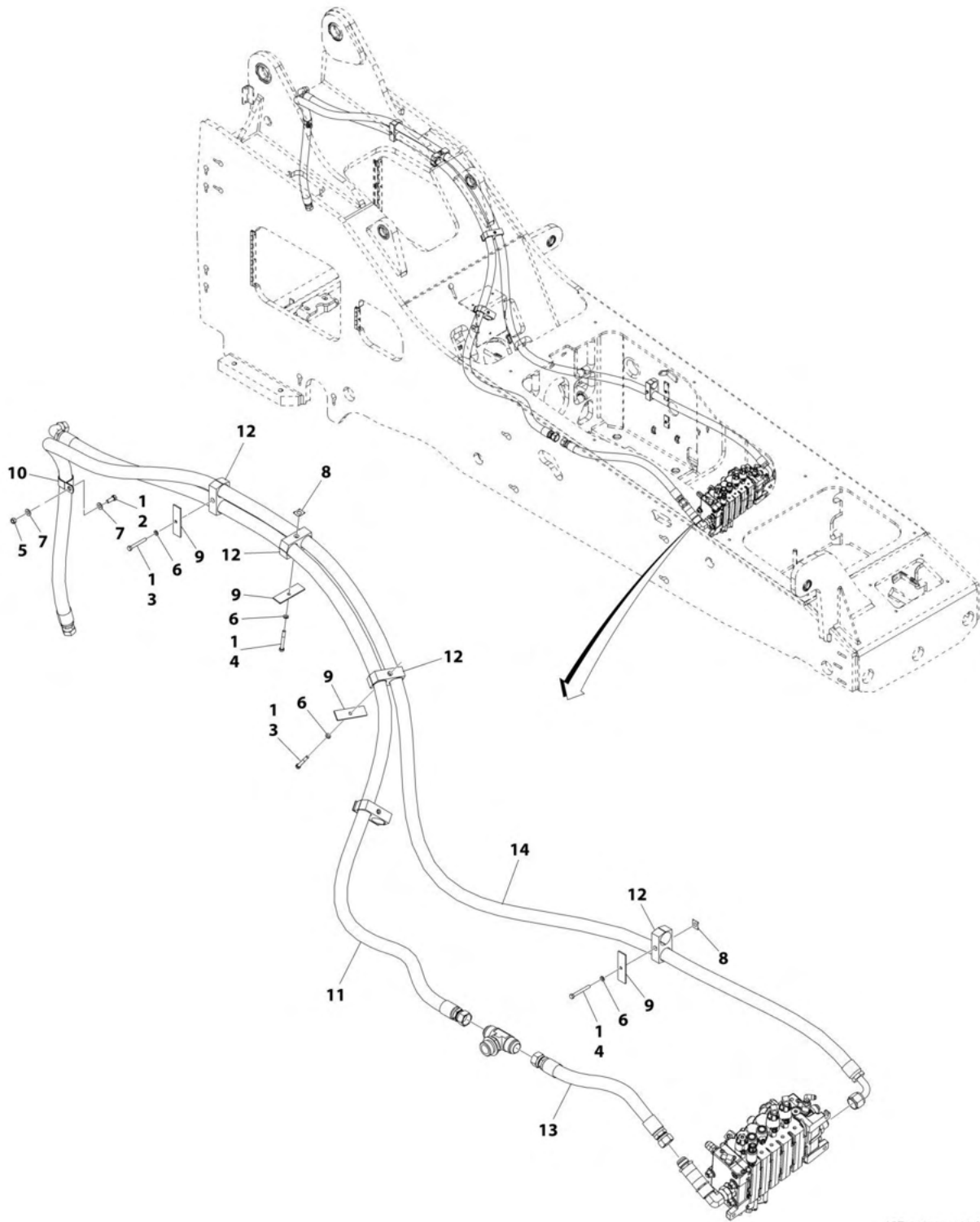
SECTION 8 - HYDRAULIC CIRCUITS

FIGURE 8-12. CAB PILOT JOYSTICK CONTROL ASSEMBLY

ITEM	PART NUMBER	QTY	DESCRIPTION	REV
	1001158004	Ref	Pilot Joystick & Fitting Assembly	B
1	2220371	2	Adapter, Straight JIC	
2	2220582	4	Adapter, Straight JIC	
3	1001158002	1	Control & Fittings Assembly - Pilot Joystick (See Separate Breakdown in CONTROLS Section)	

SECTION 8 - HYDRAULIC CIRCUITS

FIGURE 8-13. COOLER HYDRAULIC PLUMBING INSTALLATION



ART_1001244308-B

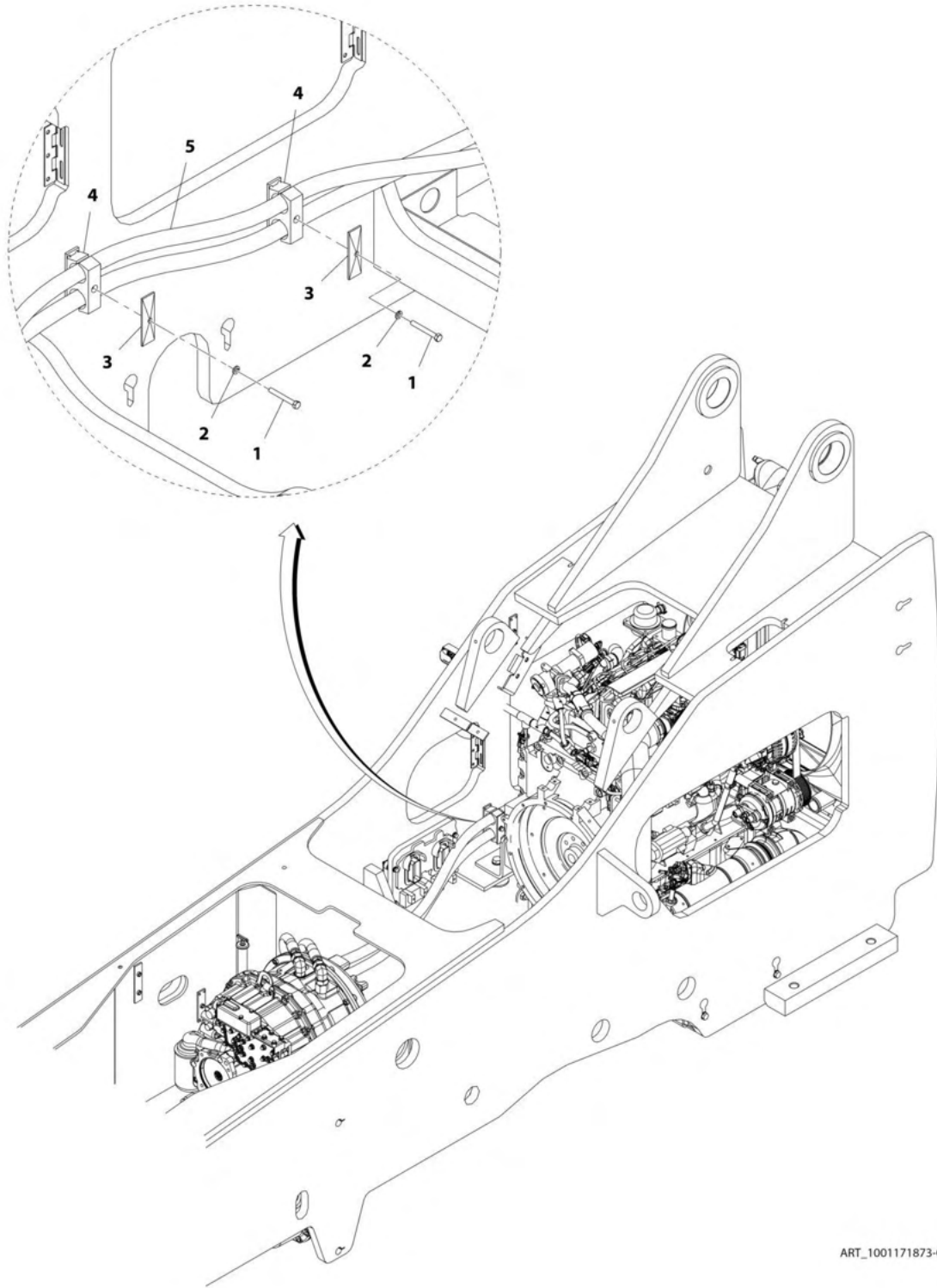
SECTION 8 - HYDRAULIC CIRCUITS

FIGURE 8-13. COOLER HYDRAULIC PLUMBING INSTALLATION

ITEM	PART NUMBER	QTY	DESCRIPTION	REV
	1001244308	Ref	Hydraulic Cooler Plumbing Installation	B
1	0100011	AR	Compound, Locking	
2	8303620	1	Bolt, 3/8X1	
3	8303757	3	Bolt, 5/16X2-1/2	
4	8303766	2	Bolt, 5/16X2-3/4	
5	8305008	1	Nut, 3/8	
6	8307004	5	Washer	
7	8307110	2	Washer	
8	8750017	2	Locking Plate	
9	8750025	5	Cover Plate, Twin	
10	85841150	1	Clamp, Support	
11	1001177753	1	Hose Assembly	
12	1001196109	5	Clamp, Twin Hose	
13	1001244306	1	Hose	
14	1001244307	1	Hose	

SECTION 8 - HYDRAULIC CIRCUITS

FIGURE 8-14. COOLER HYDRAULICS PLUMBING INSTALLATION - TRANSMISSION



ART_1001171873-C

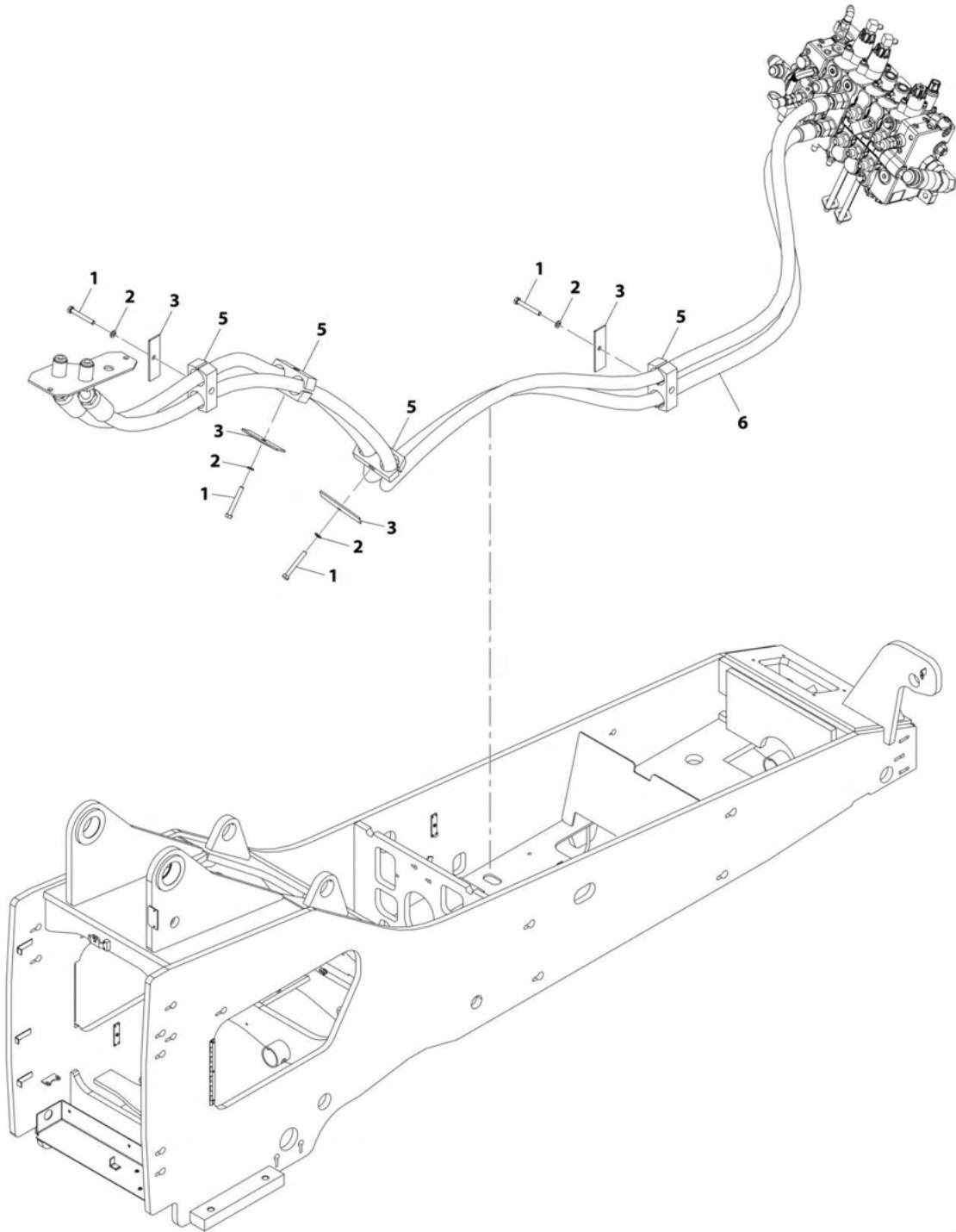
SECTION 8 - HYDRAULIC CIRCUITS

FIGURE 8-14. COOLER HYDRAULICS PLUMBING INSTALLATION - TRANSMISSION

ITEM	PART NUMBER	QTY	DESCRIPTION	REV
	1001171873	Ref	Hydraulic Transmission Cooler Plumbing Installation	C
1	8303757	2	Bolt, 5/16X2-1/2	
2	8307004	2	Washer, Lock 5/16	
3	8750025	2	Cover Plate, Twin	
4	8750040	2	Clamp Set, Twin	
5	1001171986	2	Hose	

SECTION 8 - HYDRAULIC CIRCUITS

FIGURE 8-15. CYLINDER INSTALLATION - EXTEND



ART_1001158046-E

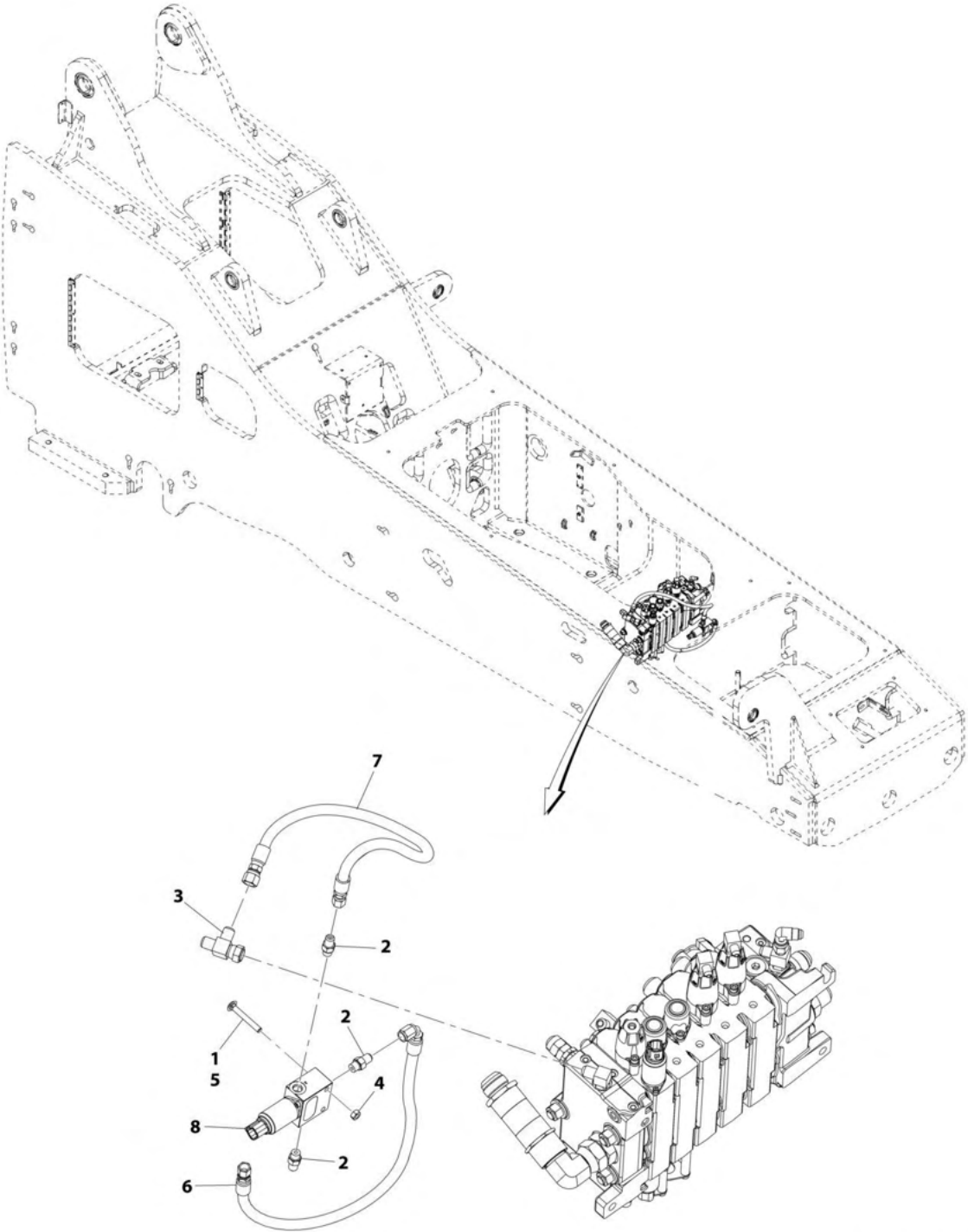
SECTION 8 - HYDRAULIC CIRCUITS

FIGURE 8-15. CYLINDER INSTALLATION - EXTEND

ITEM	PART NUMBER	QTY	DESCRIPTION	REV
	1001158046	Ref	Extend Cylinder Installation	E
1	8303757	4	Bolt, 5/16-18X2-1/2	
2	8307004	4	Washer, Lock 5/16	
3	8750025	4	Cover Plate, Twin	
5	8750040	4	Clamp Set, Twin	
6	1001171190	2	Hose	

SECTION 8 - HYDRAULIC CIRCUITS

FIGURE 8-16. CYLINDER INSTALLATION - EXTEND LOCKOUT



ART_1001244610-B

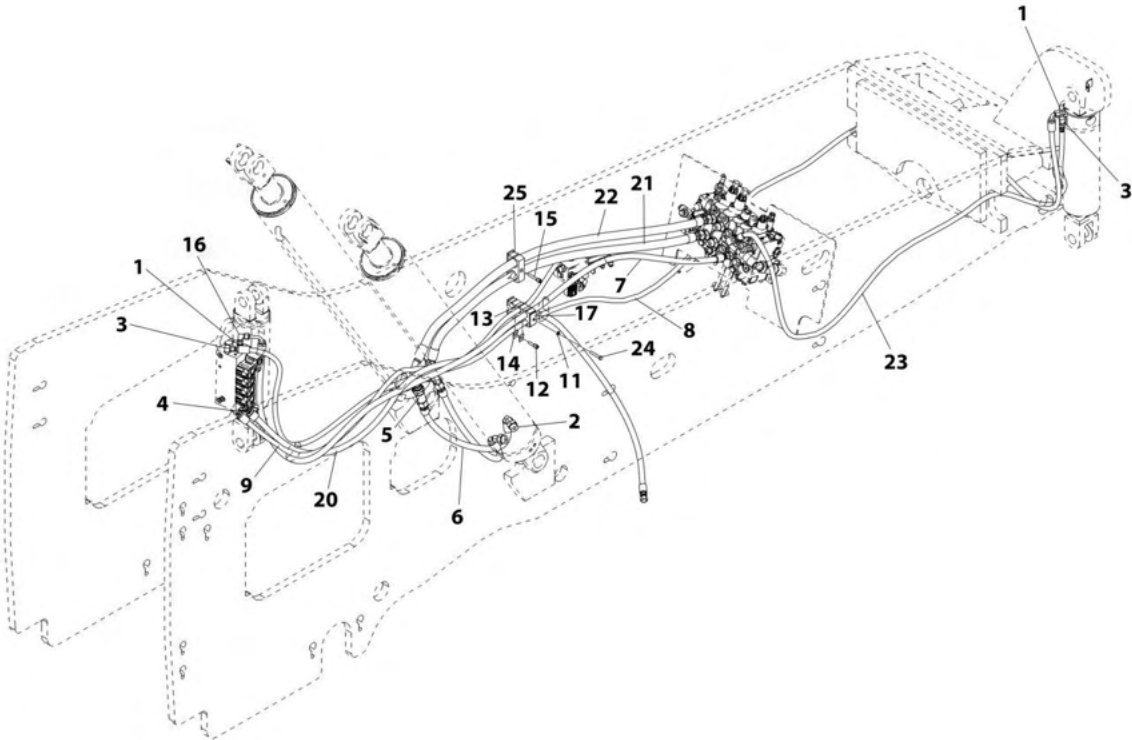
SECTION 8 - HYDRAULIC CIRCUITS

FIGURE 8-16. CYLINDER INSTALLATION - EXTEND LOCKOUT

ITEM	PART NUMBER	QTY	DESCRIPTION	REV
	1001244610	Ref	Extend Cylinder Lockout Installation	B
1	0100011	AR	Compound, Locking	
2	2220415	3	Adapter, Straight	
3	2220635	1	Adapter, Run Tee	
4	8305004	2	Nut	
5	8310576	2	Bolt, Carriage	
6	1001244359	1	Hose Assembly	
7	1001244361	1	Hose Assembly	
8	1001245158	1	Valve, 2 Position/ 3 Port	
8	70030036	1	Valve, Solenoid	
8	70030037	2	Screw	

SECTION 8 - HYDRAULIC CIRCUITS

FIGURE 8-17. CYLINDERS HYDRAULICS INSTALLATION - FRAME



ART_1001173841-G

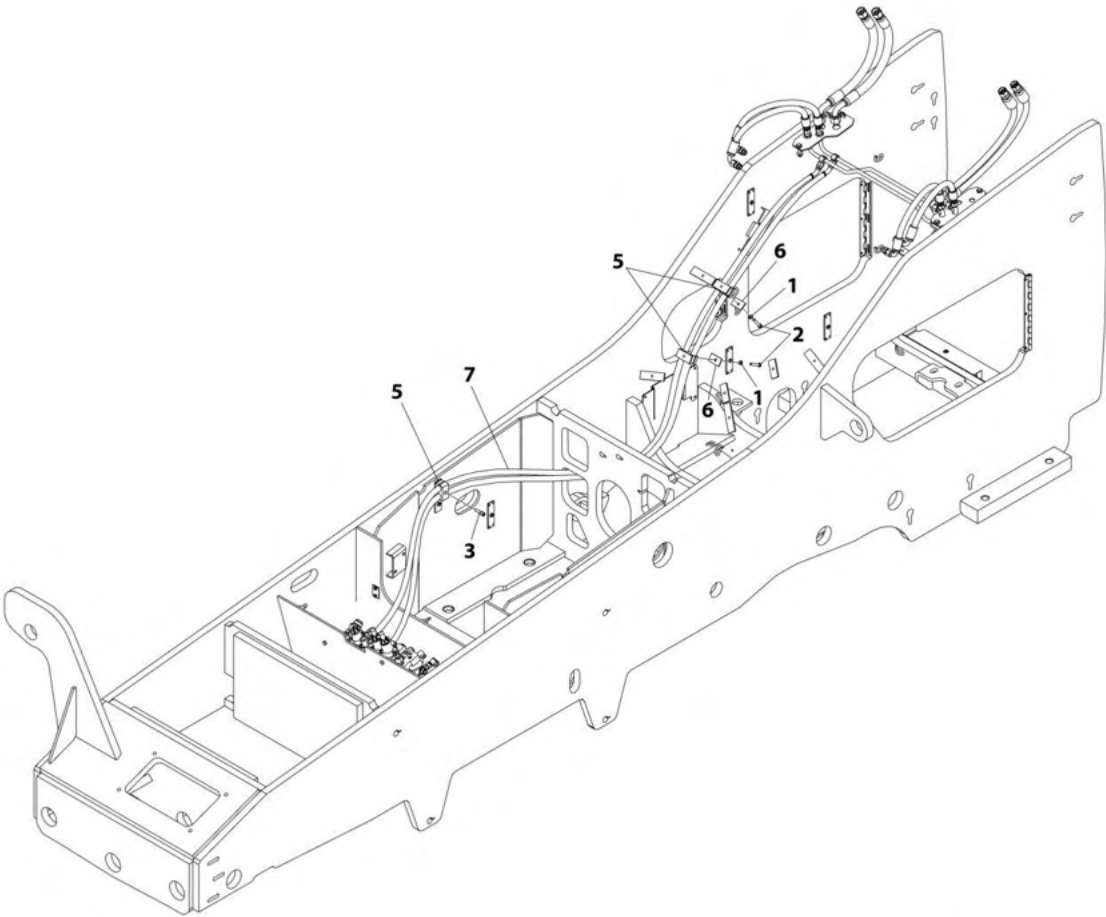
SECTION 8 - HYDRAULIC CIRCUITS

FIGURE 8-17. CYLINDERS HYDRAULICS INSTALLATION - FRAME

ITEM	PART NUMBER	QTY	DESCRIPTION	REV
	1001173841	Ref	Hydraulic Frame Cylinders Installation	G
1	2220371	2	Adapter, Straight	
2	2220375	2	Adapter, Straight	
3	2220473	2	Adapter, 90	
4	2220501	2	Adapter, 45	
5	2220695	2	Adapter, Branch Tee	
6	2716675	2	Hose	
7	2716686	1	Hose	
8	2716688	1	Hose	
9	2716691	1	Hose	
11	8307004	1	Washer, Lock 5/16	
12	8750012	1	Bolt, Stacking	
13	8750027	2	Clamp Set, Twin	
14	8750017	2	Plate, Twin Clamp Locking	
15	8750026	1	Bolt, Stacking	
16	8760268	1	Adapter, 90	
17	8769128	1	Cover Plate, Twin	
20	1001202384	1	Hose	
21	1001171191	1	Hose	
22	1001171193	1	Hose	
23	1001171194	1	Hose	
24	8310009	1	Bolt, 5/16X2	
25	8750040	1	Clamp Set, Twin	

SECTION 8 - HYDRAULIC CIRCUITS

FIGURE 8-18. FORK TILT HYDRAULICS INSTALLATION



ART_1001158040

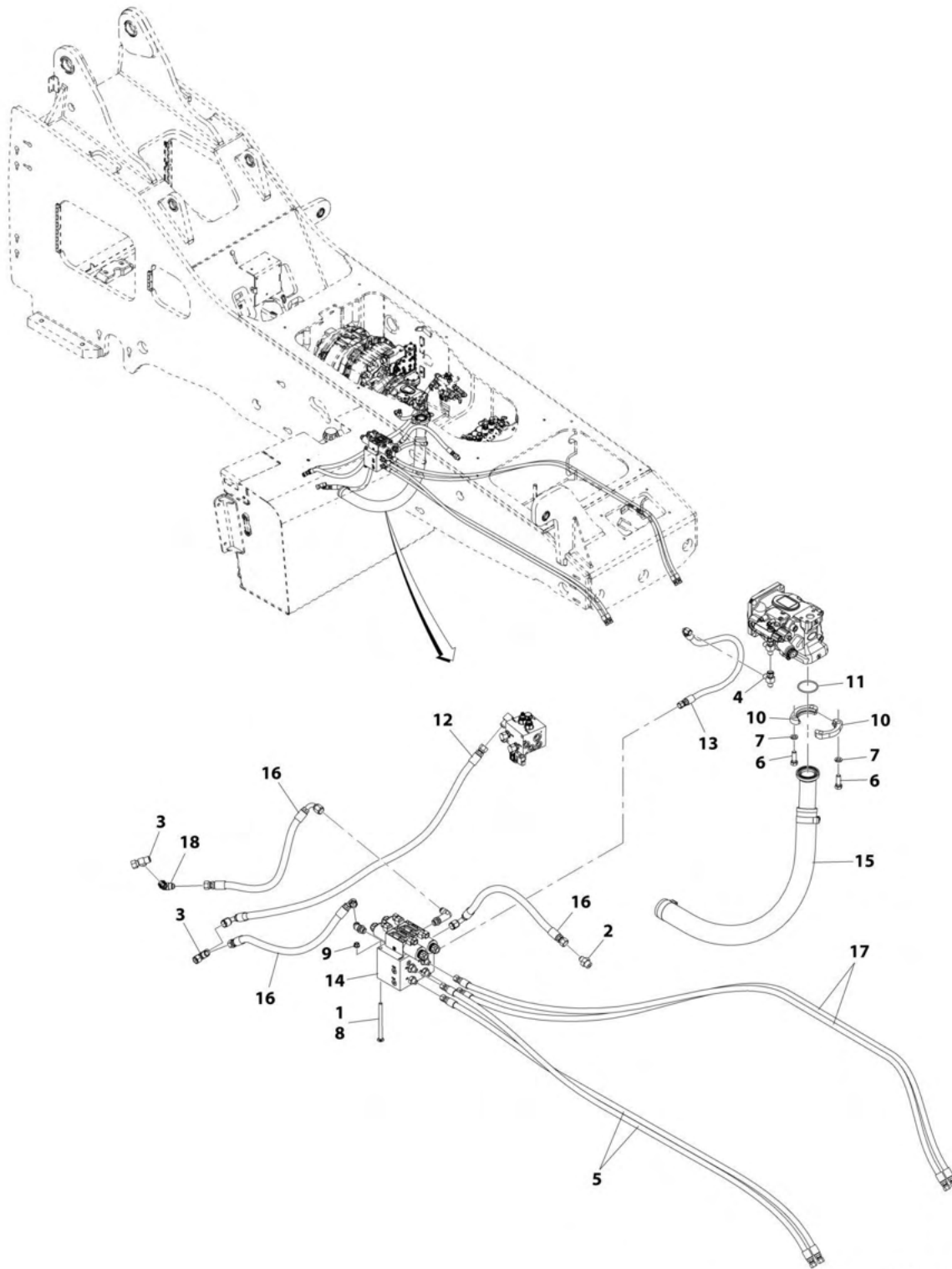
SECTION 8 - HYDRAULIC CIRCUITS

FIGURE 8-18. FORK TILT HYDRAULICS INSTALLATION

ITEM	PART NUMBER	QTY	DESCRIPTION	REV
	1001158040	Ref	HYDRAULIC FORK TILT INSTALLATION	G
1	8307004	2	Washer 5/16	
2	8310009	2	Bolt 5/16 x 2	
3	8750012	1	Bolt, Stacking	
5	8750027	3	Clamp Set, Twin	
6	8769128	2	Cover Plate, Twin	
7	1001171188	2	Hose	

SECTION 8 - HYDRAULIC CIRCUITS

FIGURE 8-19. FRAME HYDRAULICS INSTALLATION



ART_1001244867-B

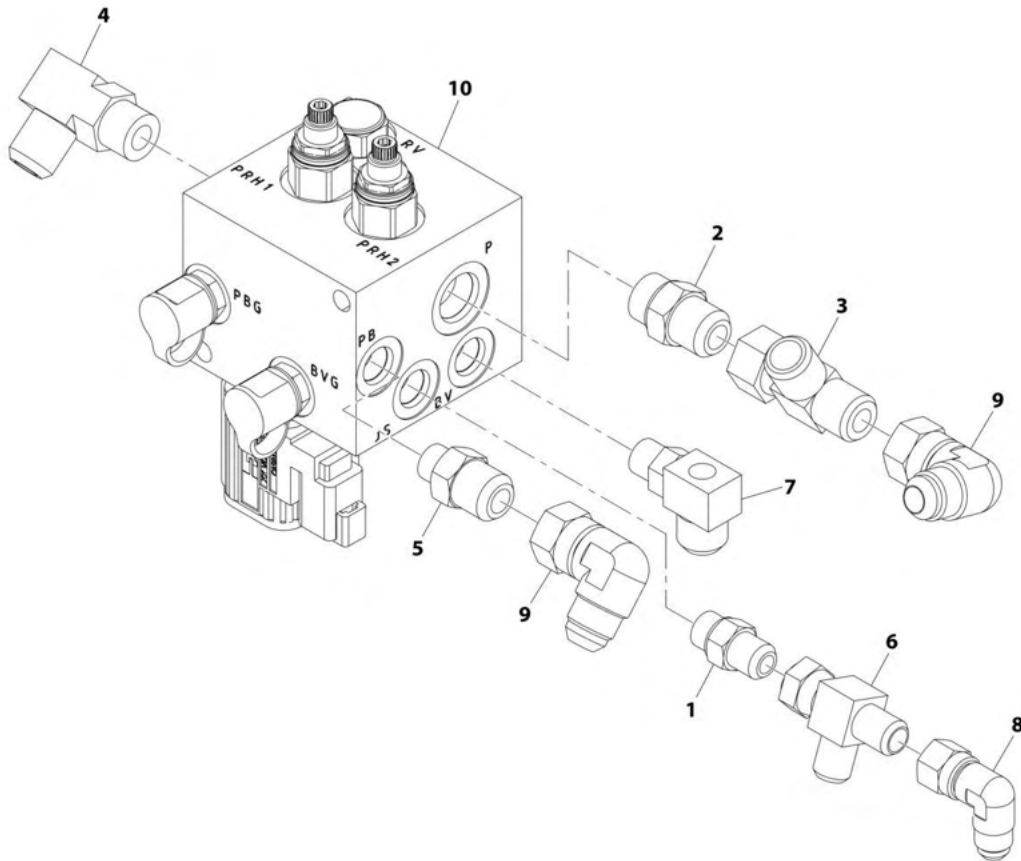
SECTION 8 - HYDRAULIC CIRCUITS

FIGURE 8-19. FRAME HYDRAULICS INSTALLATION

ITEM	PART NUMBER	QTY	DESCRIPTION	REV
	1001244867	Ref	Frame Hydraulics Installation	B
1	0100011	AR	Compound, Locking	
2	2220374	1	Adapter	
3	2220385	2	Adapter	
4	2220635	1	Adapter	
5	2716665	2	Hose	
6	8303626	4	Bolt, 1/2-13X1-1/2	
7	8307007	4	Washer, Lock 1/2	
8	8310478	2	Bolt, 3/8-16X10	
9	8310522	2	Nut, Flange 3/8-16	
10	8546407	1	Flange Half	
11	8640208	1	O-Ring	
12	1001119610	1	Hose	
13	1001158576	1	Hose	
14	1001257141	1	Valve & Fittings Sub-Assembly - Outrigger (See Separate Breakdown in this Section)	
15	1001227508	1	Hose	
16	1001244871	3	Hose	
17	1001245070	2	Hose	
18	8765204	1	Adapter	

SECTION 8 - HYDRAULIC CIRCUITS

FIGURE 8-20. FRAME SECONDARY VALVE & FITTINGS SUB-ASSEMBLY



ART_1001247171-A

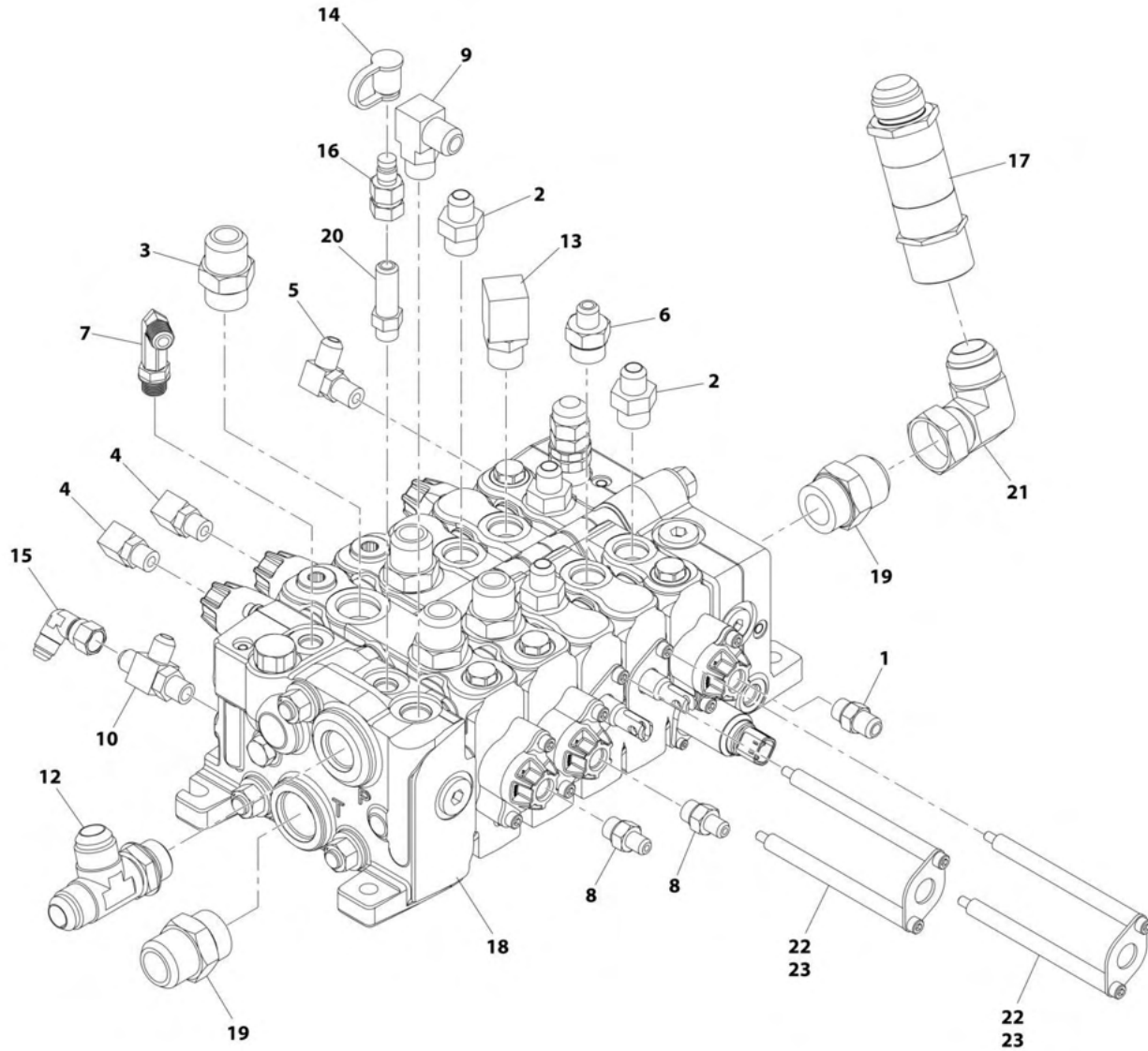
SECTION 8 - HYDRAULIC CIRCUITS

FIGURE 8-20. FRAME SECONDARY VALVE & FITTINGS SUB-ASSEMBLY

ITEM	PART NUMBER	QTY	DESCRIPTION	REV
	1001247171	Ref	Secondary Valve & Fittings Installation	A
1	2220371	1	Fitting, Straight JIC/ORB	
2	2220373	1	Fitting, Straight JIC/ORB	
3	2220385	1	Fitting, Tee JIC/FSJIC/JIC	
4	2220596	1	Fitting, 90 JIC/ORB	
5	2220600	1	Fitting, Straight ORB	
6	2220635	1	Fitting, Tee FM SW x JIC x JIC	
7	2220726	1	Fitting, 90 JIC/ORB	
8	8760268	1	Fitting, 90 JIC/FSJIC	
9	8765204	2	Fitting, 90 JIC/FSJIC	
10	1001247045	1	Valve Assembly - Secondary (See Separate Breakdown in HYDRAULIC COMPONENTS Section)	

SECTION 8 - HYDRAULIC CIRCUITS

FIGURE 8-21. MAIN CONTROL VALVE & FITTINGS SUB-ASSEMBLY



ART_1001243411-C

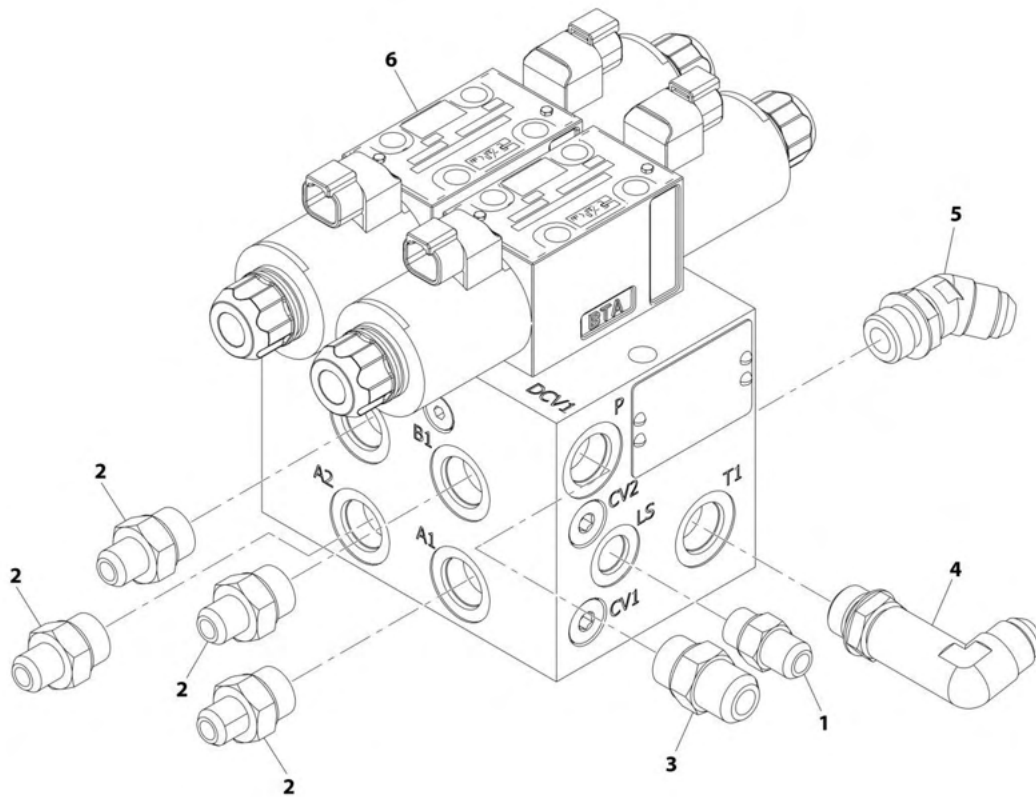
SECTION 8 - HYDRAULIC CIRCUITS

FIGURE 8-21. MAIN CONTROL VALVE & FITTINGS SUB-ASSEMBLY

ITEM	PART NUMBER	QTY	DESCRIPTION	REV
	1001243411	Ref	Main Control Valve & Fittings Sub-Assembly	C
1	2220371	1	Adapter	
2	2220374	4	Adapter	
3	2220451	4	Adapter	
4	2220472	2	Adapter	
5	2220473	1	Adapter	
6	2220497	1	Adapter	
7	2220819	1	Adapter	
8	2220582	2	Adapter	
9	2220596	1	Adapter	
10	2220606	1	Adapter	
12	2220738	1	Adapter	
13	2220828	1	Adapter	
14	8430032	1	Plug	
15	8760268	1	Adapter	
16	8430046	1	Adapter	
17	1001174375	1	Valve, Check	
18	1001242925	1	Valve, Main Control Valve Assembly (See Separate Breakdown in HYDRAULIC COMPONENTS SECTION)	
19	2220377	2	Adapter	
20	2220998	1	Adapter	
21	2220878	1	Adapter	
22	1001254386	2	Mount, Cable Control	
23	0100011	AR	Compound, Locking	

SECTION 8 - HYDRAULIC CIRCUITS

FIGURE 8-22. OUTRIGGER & FITINGS SUB-VALVE ASSEMBLY



ART_1001257141-A

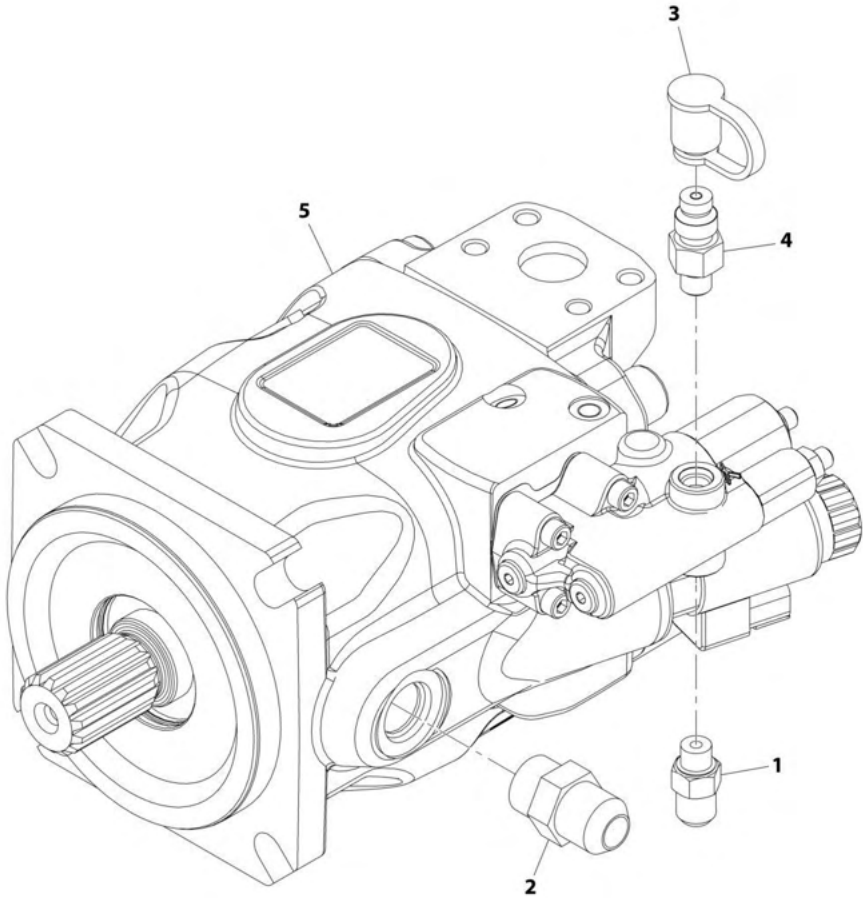
SECTION 8 - HYDRAULIC CIRCUITS

FIGURE 8-22. OUTRIGGER & FITINGS SUB-VALVE ASSEMBLY

ITEM	PART NUMBER	QTY	DESCRIPTION	REV
	1001257141	Ref	Outrigger Valve & Fittings Sub-Assembly	A
1	2220371	1	Adapter, Straight JIC	
2	2220372	4	Adapter, Straight JIC	
3	2220373	1	Adapter, Straight JIC	
4	2220474	1	Adapter, 90	
5	2220500	1	Adapter, 45	
6	1001247857	1	Valve Assembly - Outrigger (See Separate Breakdown in HYDRAULIC COMPONENTS Section)	

SECTION 8 - HYDRAULIC CIRCUITS

FIGURE 8-23. PISTON PUMP INSTALLATION



ART_1001251426-A

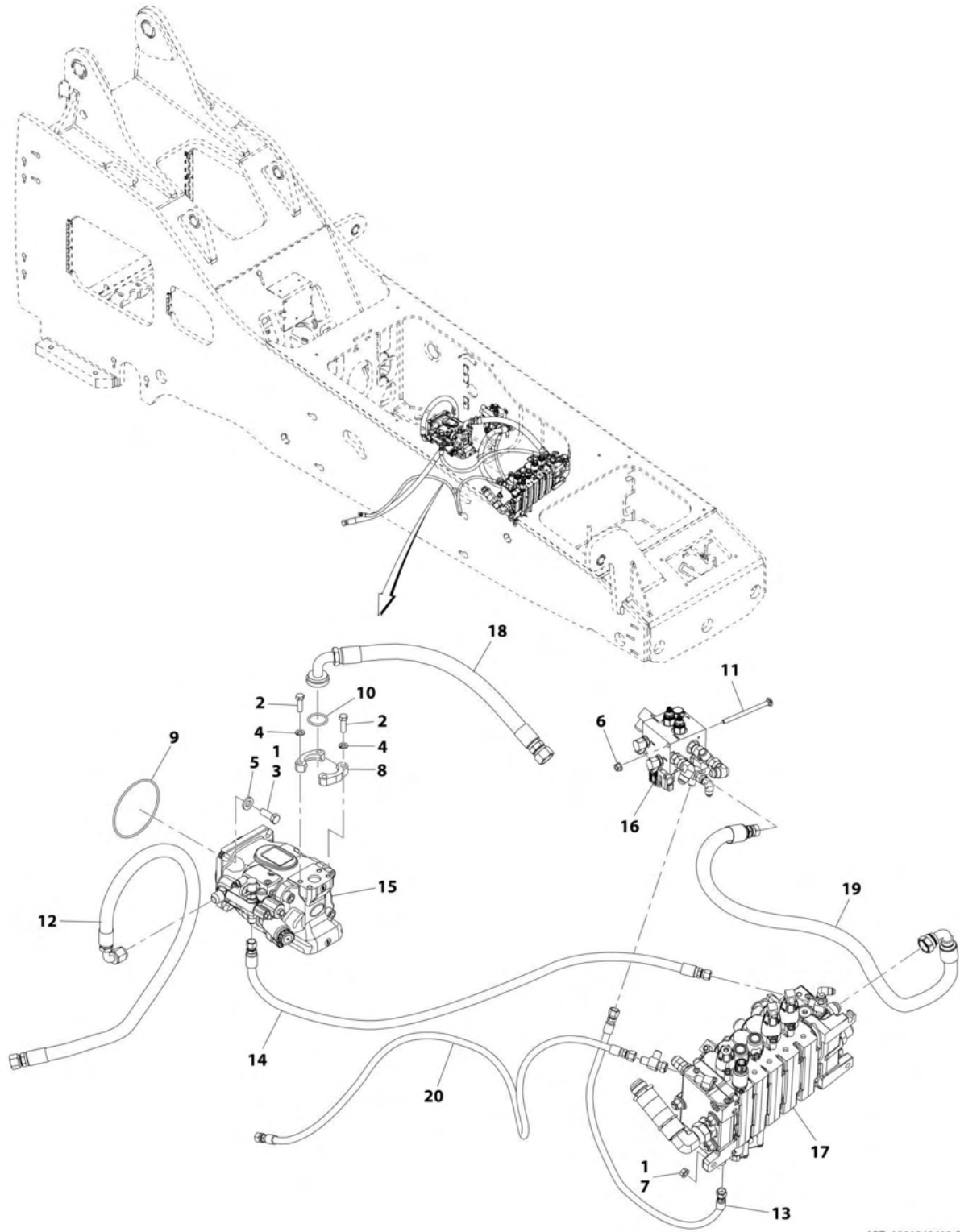
SECTION 8 - HYDRAULIC CIRCUITS

FIGURE 8-23. PISTON PUMP INSTALLATION

ITEM	PART NUMBER	QTY	DESCRIPTION	REV
	1001251426	Ref	Piston Pump Installation	A
1	2220603	1	Adapter, Straight	
2	2220947	1	Adapter, Straight	
3	8430032	1	Cap Dust	
4	8430033	1	Adapter	
5	1001251423	1	Pump, Piston (See Separate Breakdown in HYDRAULIC COMPONENTS Section)	

SECTION 8 - HYDRAULIC CIRCUITS

FIGURE 8-24. PUMP HYDRAULICS INSTALLATION



ART_1001243412-B

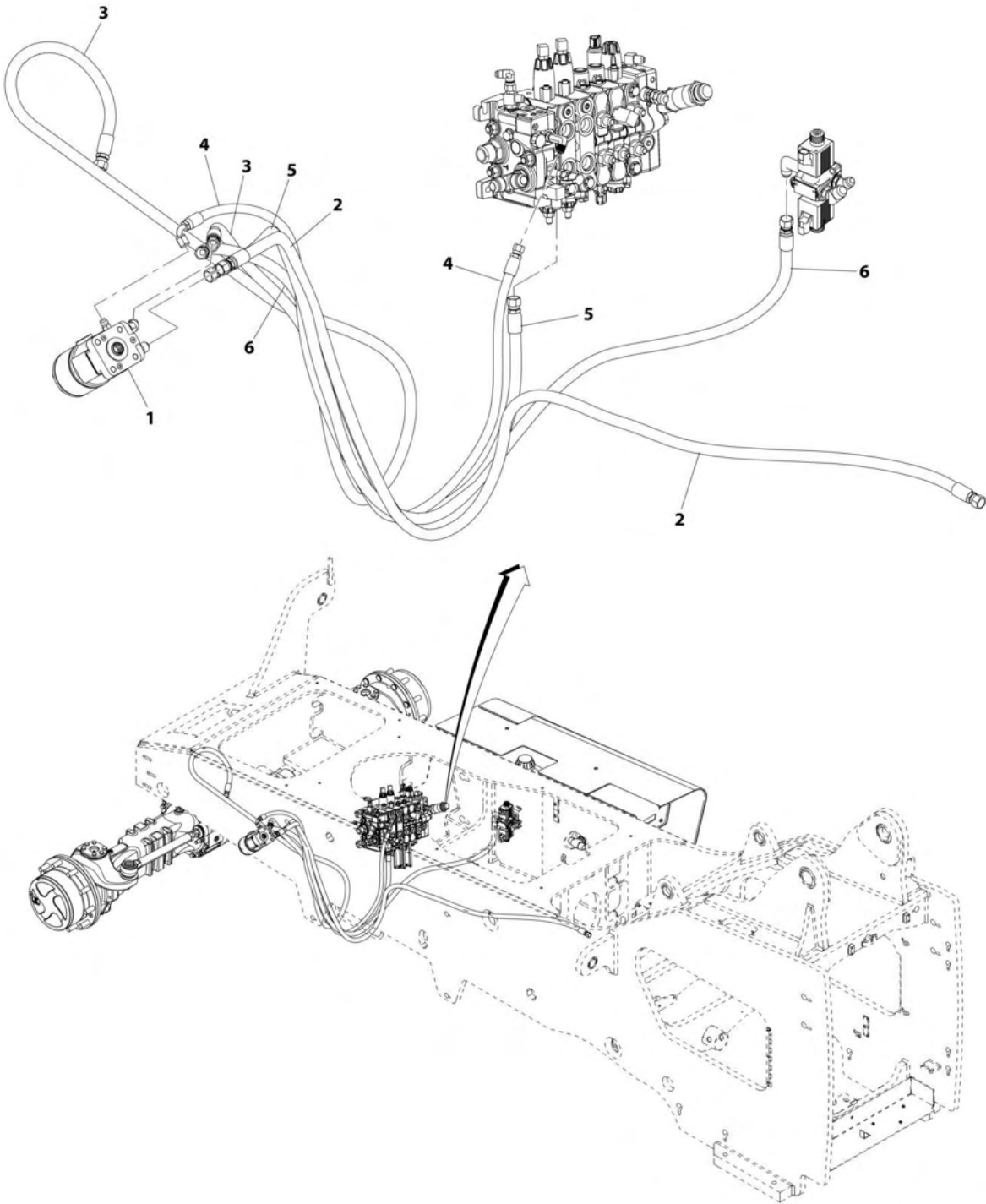
SECTION 8 - HYDRAULIC CIRCUITS

FIGURE 8-24. PUMP HYDRAULICS INSTALLATION

ITEM	PART NUMBER	QTY	DESCRIPTION	REV
	1001243412	Ref	Hydraulic Pump Installation	B
1	0100011	AR	Compound, Locking	
2	8303675	4	Screw, 3/8 x 1-1/4	
3	8303519	4	Screw, M12 x 1-3/4	
4	8307005	4	Washer	
5	8310356	4	Washer	
6	8310420	2	Nut	
7	8310522	3	Nut	
8	8530030	2	Flange	
9	8630019	1	O-Ring	
10	8640123	1	O-Ring	
11	1001163685	2	Bolt, 5/16-18 x 4-1/2	
12	1001168451	1	Hose Assembly	
13	1001194592	1	Hose Assembly	
14	1001198684	1	Hose Assembly	
15	1001251426	1	Piston Pump Installation	
16	1001247171	1	Valve & Fitting Assembly - Secondary (See Separate Breakdown in this Section)	
17	1001243411	1	Valve & Fitting Assembly - Main (See Separate Breakdown in this Section)	
18	1001244278	1	Hose Assembly	
19	1001247654	1	Hose Assembly	
20	1001244302	1	Hose Assembly	

SECTION 8 - HYDRAULIC CIRCUITS

FIGURE 8-25. STEERING HYDRAULICS INSTALLATION



ART_1001245057-B

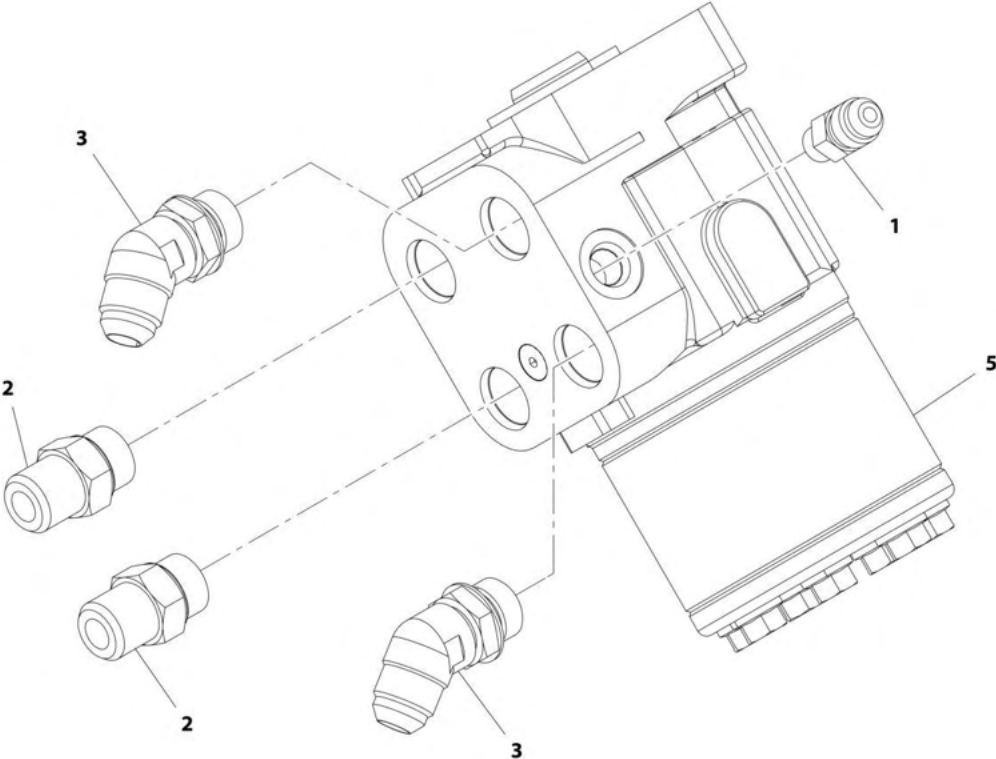
SECTION 8 - HYDRAULIC CIRCUITS

FIGURE 8-25. STEERING HYDRAULICS INSTALLATION

ITEM	PART NUMBER	QTY	DESCRIPTION	REV
	1001245057	Ref	Hydraulic Steering Installation	B
1	1001158528	1	Steering Valve Installation (See Separate Breakdown in this Section)	
2	1001245058	1	Hose Assembly	
3	1001157102	1	Hose Assembly	
4	1001158357	1	Hose Assembly	
5	1001171786	1	Hose Assembly	
6	1001173177	1	Hose Assembly	

SECTION 8 - HYDRAULIC CIRCUITS

FIGURE 8-26. STEERING VALVE INSTALLATION



ART_1001158528-C

SECTION 8 - HYDRAULIC CIRCUITS

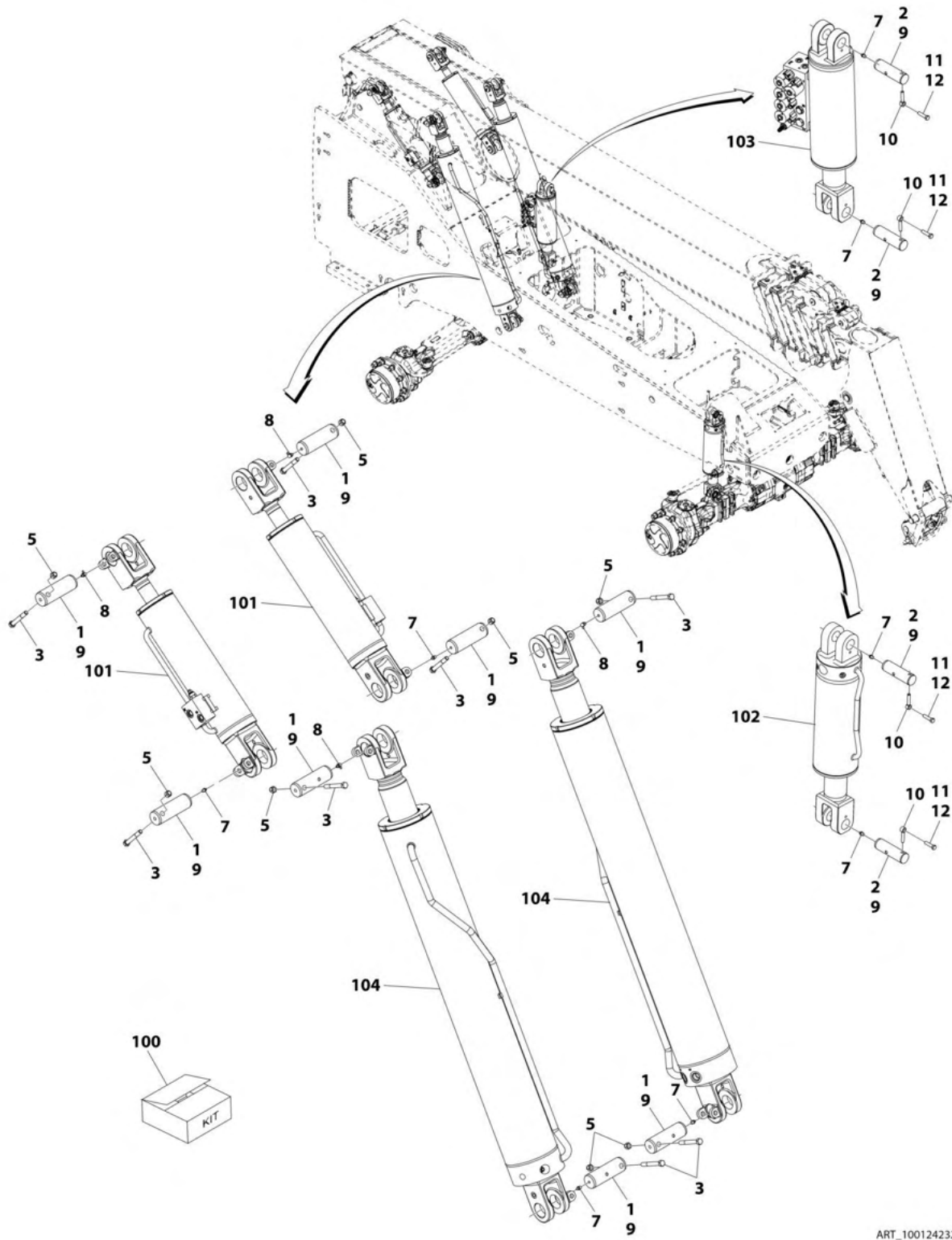
FIGURE 8-26. STEERING VALVE INSTALLATION

ITEM	PART NUMBER	QTY	DESCRIPTION	REV
	1001158528	1	Steering Valve & Fitting Assembly	C
1	2220603	1	Adapter, Straight JIC	
2	2220373	2	Adapter, Straight JIC	
3	2220500	2	Adapter, 45 JIC	
5	1001158527	1	Valve, Steering	
5	70026401	1	Seal Kit - Steering Valve	

SECTION 9 - HYDRAULIC COMPONENTS

SECTION 9 - HYDRAULIC COMPONENTS

FIGURE 9-1. CYLINDER GROUP INSTALLATION



ART_1001242327-C

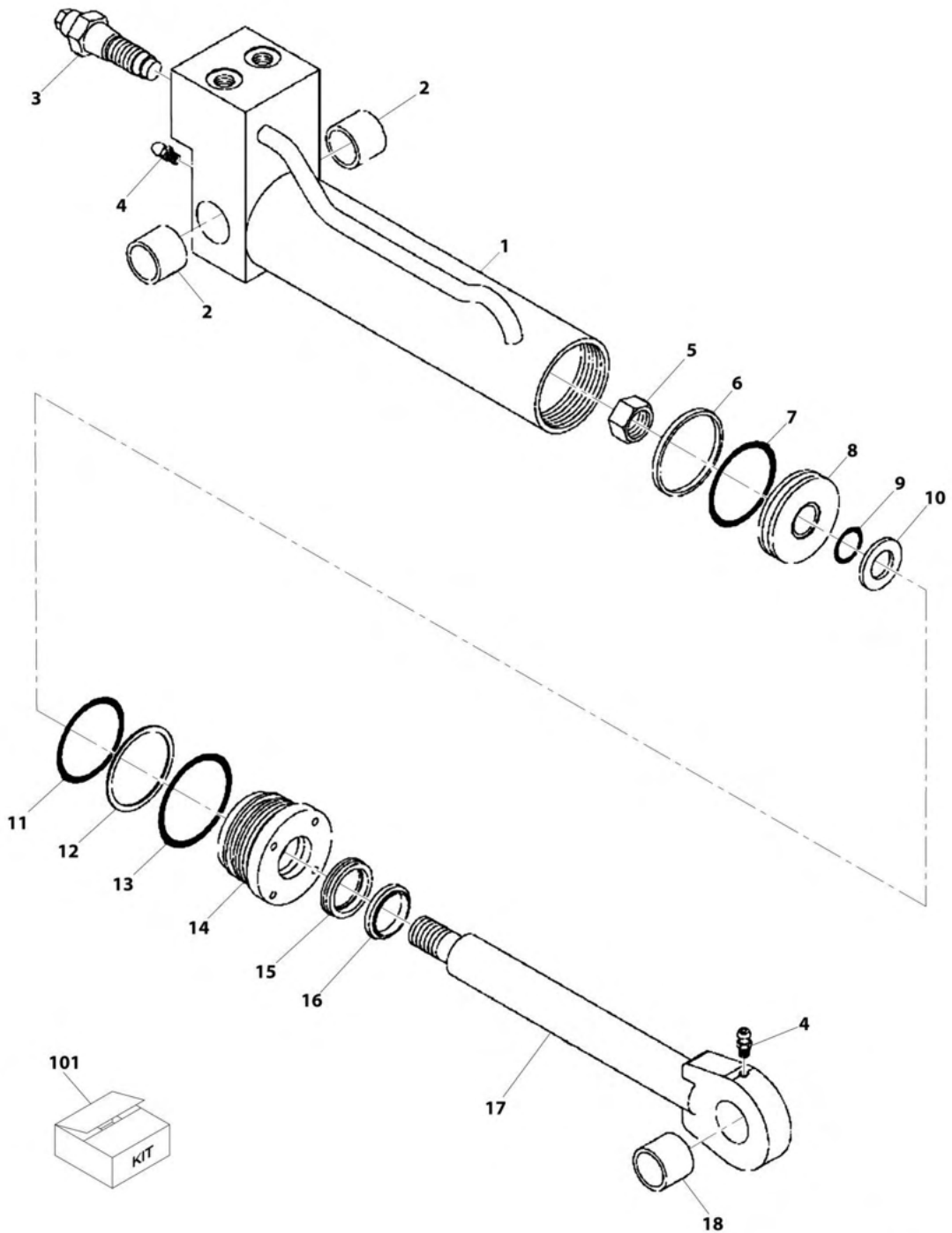
SECTION 9 - HYDRAULIC COMPONENTS

FIGURE 9-1. CYLINDER GROUP INSTALLATION

ITEM	PART NUMBER	QTY	DESCRIPTION	REV
	1001242327	Ref	Cylinder Group Installation	C
1	3423227	8	Pin	
2	1001250505	4	Pin	
3	8303782	8	Bolt, 1/2-13X4	
5	8305644	8	Nut	
7	8520001	8	Fitting, Straight Lube 1/8	
8	8520003	4	Fitting, 90 Lube 1/8	
9	8522012	AR	Lube	
10	3841520	4	Keeper	
11	8303621	4	Screw 3/8 x 3/2	
12	0100011	AR	Compound, Locking	
100	1001245093	1	Cylinder Kit	
101	1001242688	2	Compensation Cylinder	
102	1001239181	1	Frame Level Cylinder	
103	1001239182	1	Stabil-Trak Cylinder	
104	1001239179	2	Lift Cylinder	

SECTION 9 - HYDRAULIC COMPONENTS

FIGURE 9-2. CYLINDER - BUCKET (GRAPPLE)



ART_70021393-A

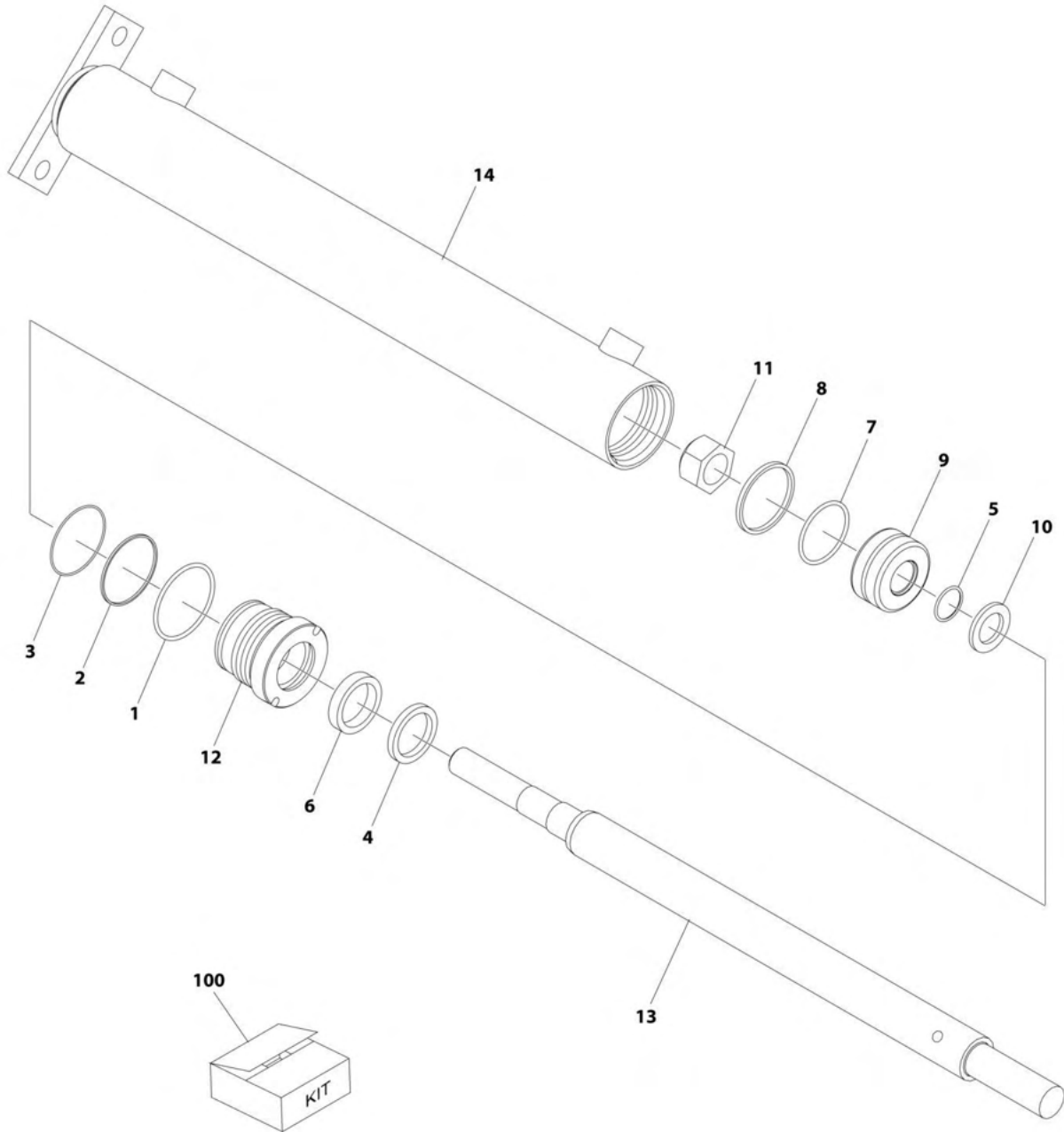
SECTION 9 - HYDRAULIC COMPONENTS

FIGURE 9-2. CYLINDER - BUCKET (GRAPPLE)

ITEM	PART NUMBER	QTY	DESCRIPTION	REV
	70021393	Ref	Grapple Bucket Cylinder	A
1	70021465	1	Tube, Cylinder	
2	70021448	2	Bushing	
3	70021464	2	Cartridge, Valve	
4	90554045	2	Fitting, Grease	
5	70021440	1	Nut	
6	Kit	1	Ring, Piston	
7	Kit	1	O-Ring	
8	70021451	1	Piston	
9	Kit	1	O-Ring	
10	70021444	1	Washer	
11	Kit	1	O-Ring	
12	Kit	1	Washer, Back-Up	
13	Kit	1	O-Ring	
14	70021446	1	Gland, Cylinder	
15	Kit	1	Seal, Poly-Pak	
16	Kit	1	Wiper, Rod	
17	70021466	1	Rod, Piston	
18	70021447	1	Bushing	
101	70021452	1	Kit, Seal (includes items 6, 7, 9, 11 thru 13, 15 & 16)	

SECTION 9 - HYDRAULIC COMPONENTS

FIGURE 9-3. CYLINDER - CARRIAGE (DUAL FORK)



ART_2717283

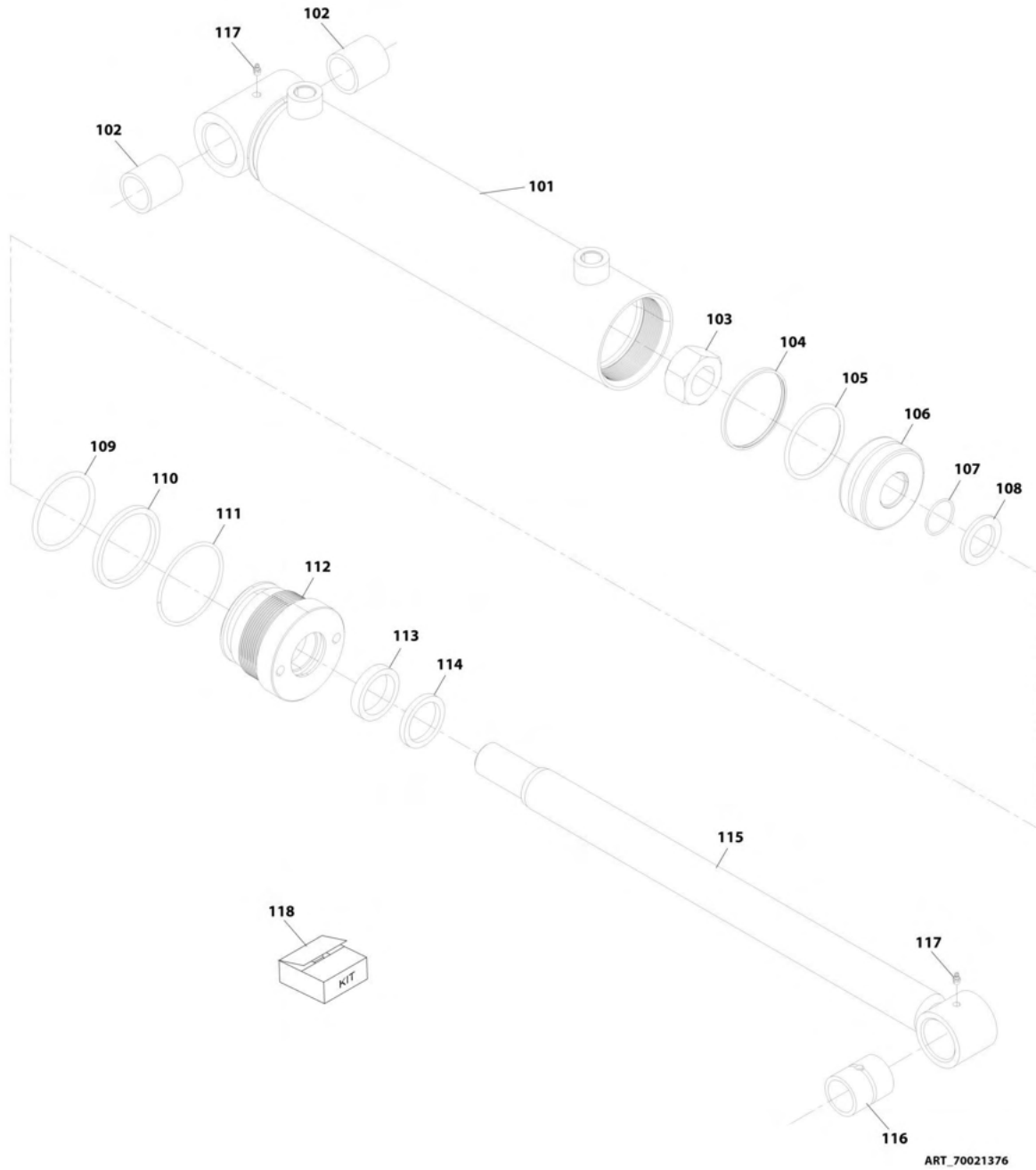
SECTION 9 - HYDRAULIC COMPONENTS

FIGURE 9-3. CYLINDER - CARRIAGE (DUAL FORK)

ITEM	PART NUMBER	QTY	DESCRIPTION	REV
	2717283	Ref	FORK POSITIONING CYLINDER	B
1	See Note	NSS	O-Ring (Use Item 100)	
2	See Note	NSS	Ring, Back-up (Use Item 100)	
3	See Note	NSS	O-Ring (Use Item 100)	
4	See Note	NSS	Seal (Use Item 100)	
5	See Note	NSS	O-Ring (Use Item 100)	
6	See Note	NSS	Seal (Use Item 100)	
7	See Note	NSS	O-Ring (Use Item 100)	
8	See Note	NSS	Seal (Use Item 100)	
9	70026771	1	Piston	
10	70026775	1	Washer	
11	70026770	1	Nut	
12	70026774	1	Gland	
13	70026773	1	Rod	
14	See Note	NSS	Barrel (Note: Not Available for Purchase)	
100	8036733	1	Seal Kit (includes items 1 thru 8)	

SECTION 9 - HYDRAULIC COMPONENTS

FIGURE 9-4. CYLINDER - CARRIAGE (SIDE SHIFT)



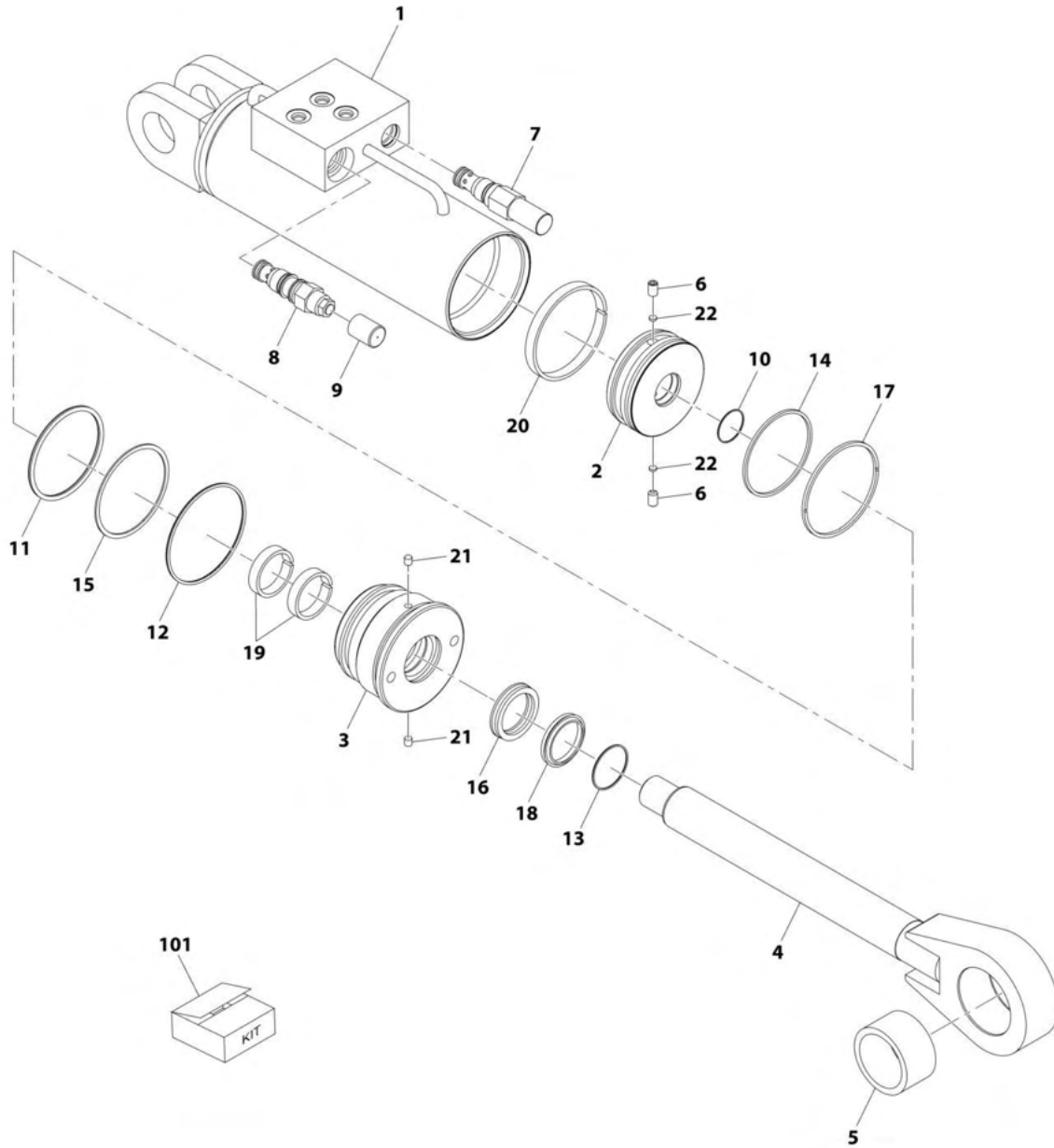
SECTION 9 - HYDRAULIC COMPONENTS

FIGURE 9-4. CYLINDER - CARRIAGE (SIDE SHIFT)

ITEM	PART NUMBER	QTY	DESCRIPTION	REV
	70021376	1	Cylinder Assembly, Side Shift Carriage 12K	
101	Kit	1	Barrel	
102	70021448	2	Bushing	
103	70021440	1	Nut	
104	Kit	1	Piston Ring	
105	Kit	1	O-Ring	
106	70021451	1	Piston	
107	Kit	1	O-Ring	
108	70021444	1	Spacer, Sheave	
109	Kit	1	O-Ring	
110	Kit	1	Back-Up Washer	
111	Kit	1	O-Ring	
112	70021446	1	Gland	
113	Kit	1	Seal	
114	Kit	1	Rod Wiper	
115	70021445	1	Rod	
116	70021447	1	Bushing	
117	90554045	2	Grease Fitting	
118	70021452	1	Seal Kit, (includes items 104, 105, 107, 109, 110, 111, 113 & 114)	

SECTION 9 - HYDRAULIC COMPONENTS

FIGURE 9-5. CYLINDER - CARRIAGE (SWING)



ART_1001103182-B

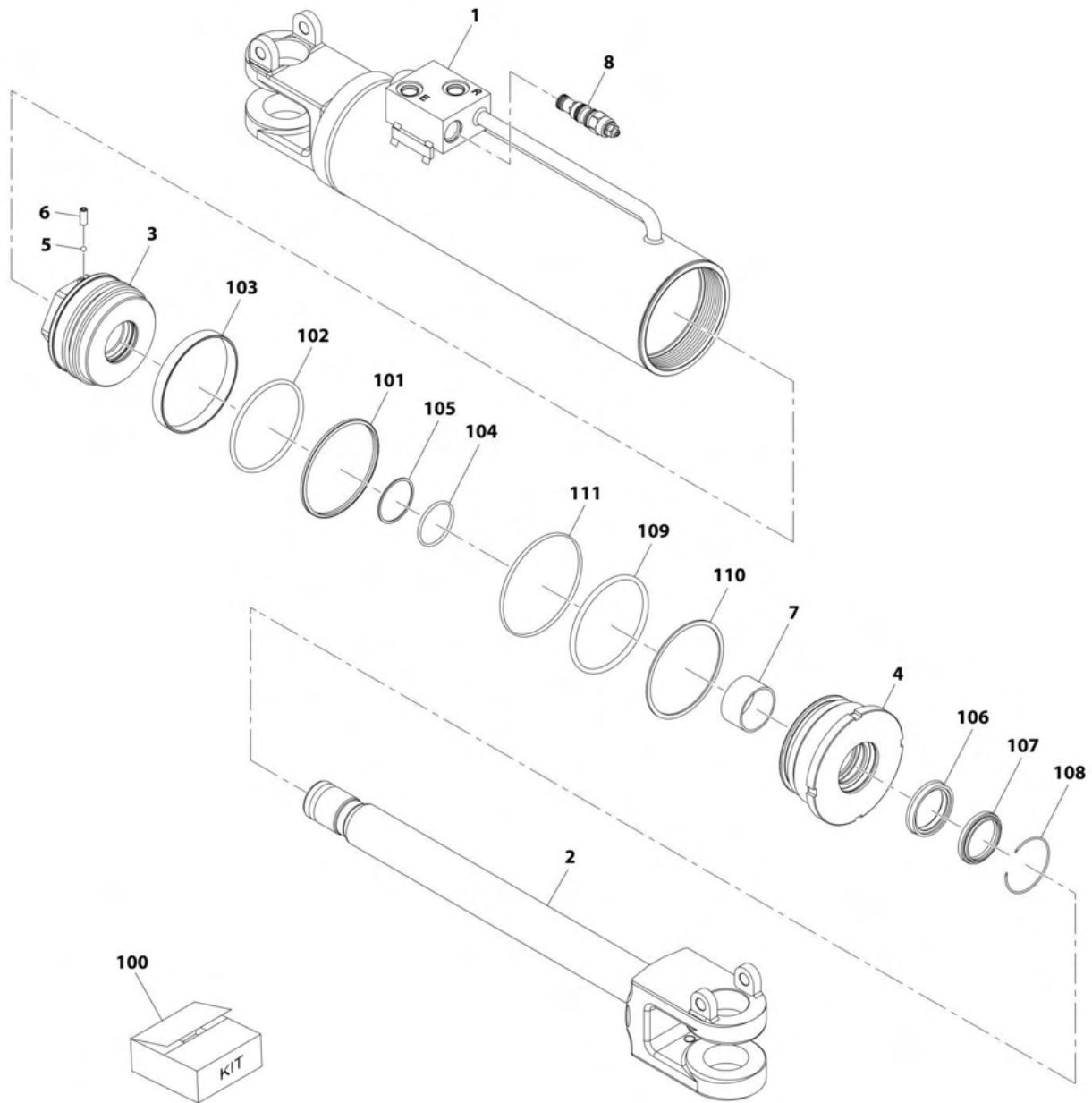
SECTION 9 - HYDRAULIC COMPONENTS

FIGURE 9-5. CYLINDER - CARRIAGE (SWING)

ITEM	PART NUMBER	QTY	DESCRIPTION	REV
	1001103182	Ref	Swing Carriage Cylinder	B
1	70022044	1	Assembly, Tube	
2	8035863	1	Piston	
3	8035862	1	Gland, Head	
4	70022045	1	Assembly, Rod	
5	70022046	1	Bearing	
6	8035536	2	Screw, Set 5/16-18X1/2	
7	70020428	1	Valve, Relief	
7	7024574	1	Kit, Seal	
8	8033786	1	Valve, Counterbalance	
8	8205655	1	Kit, Seal	
9	70021812	1	Tamper-proof Cap	
10	Kit	1	O-Ring	
11	Kit	1	O-Ring	
12	Kit	1	O-Ring	
13	Kit	1	O-Ring	
14	Kit	1	Ring, Square	
15	Kit	1	Ring, Backup	
16	Kit	1	Seal	
17	Kit	1	Seal, Piston	
18	Kit	1	Wiper, Rod	
19	Kit	2	Wearband	
20	Kit	1	Wearband	
21	Kit	2	Insert	
22	Kit	2	Insert	
101	2915023	1	Kit, Seal (includes items 11 thru 22)	

SECTION 9 - HYDRAULIC COMPONENTS

FIGURE 9-6. CYLINDER - COMPENSATION



ART_1001242688-E

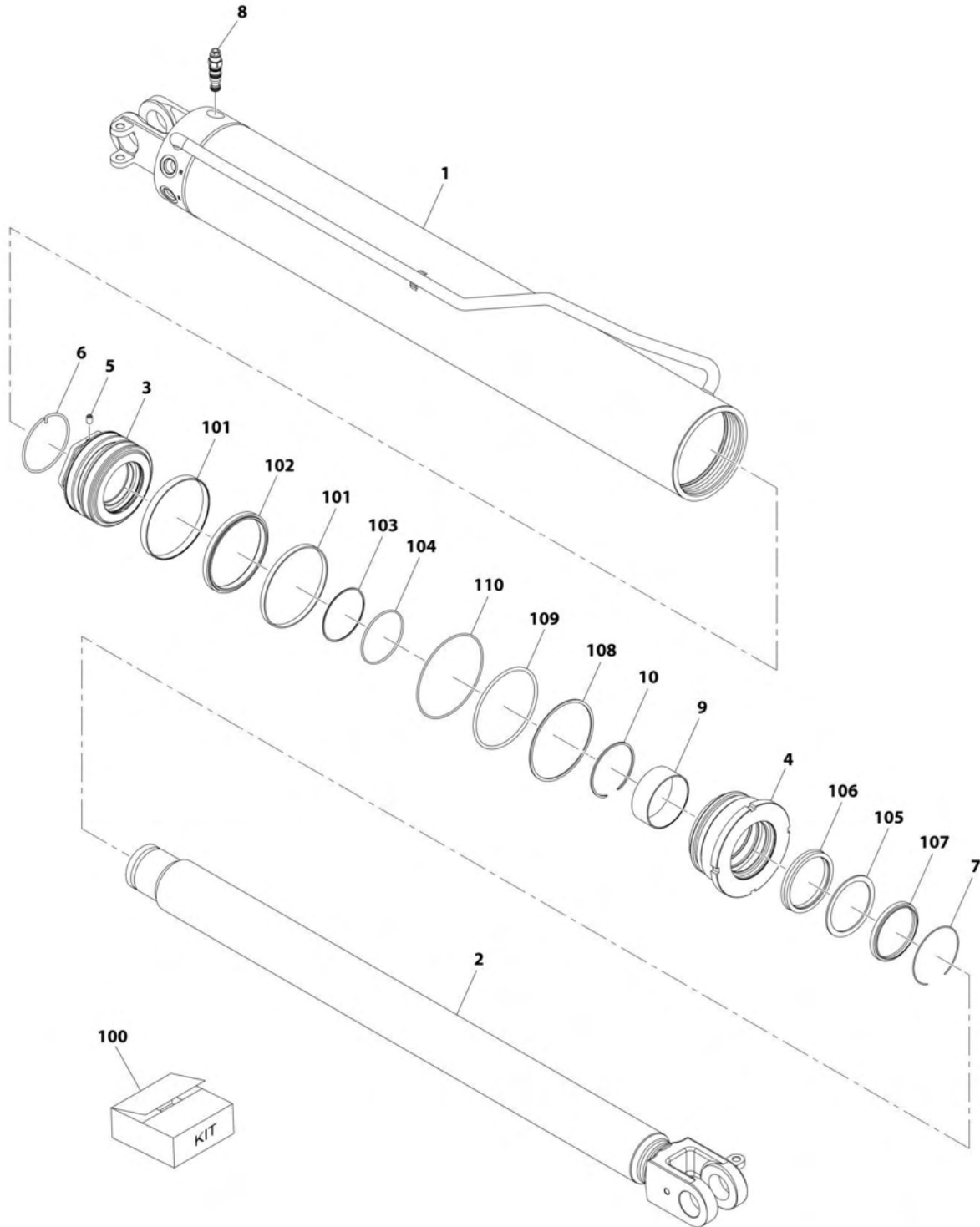
SECTION 9 - HYDRAULIC COMPONENTS

FIGURE 9-6. CYLINDER - COMPENSATION

ITEM	PART NUMBER	QTY	DESCRIPTION	REV
	1001242688	Ref	Compensation Cylinder	E
1	N.S.S.	1	Barrel	
2	70029590	1	Rod	
3	70029574	1	Piston	
4	70029575	1	Head End Cover	
5	70029576	1	Steel Ball	
6	70029577	1	Set Screw	
7	70029578	1	Bushing	
8	1001255574	1	Counterbalance Valve	
8	70028164	1	Seal Kit, CB Valve	
100	70029579	1	Seal Kit (Includes Items 101 thru 111)	
101	N.S.S.	1	Piston Seal	
102	N.S.S.	1	O-Ring	
103	N.S.S.	1	Piston Bearing	
104	N.S.S.	1	O-Ring	
105	N.S.S.	1	Back-Up Ring	
106	N.S.S.	1	Rod Seal	
107	N.S.S.	1	Wiper	
108	N.S.S.	1	Snap Ring	
109	N.S.S.	1	O-Ring	
110	N.S.S.	1	Back-Up Ring	
111	N.S.S.	1	O-Ring	

SECTION 9 - HYDRAULIC COMPONENTS

FIGURE 9-7. CYLINDER - LIFT



ART_1001239179-D

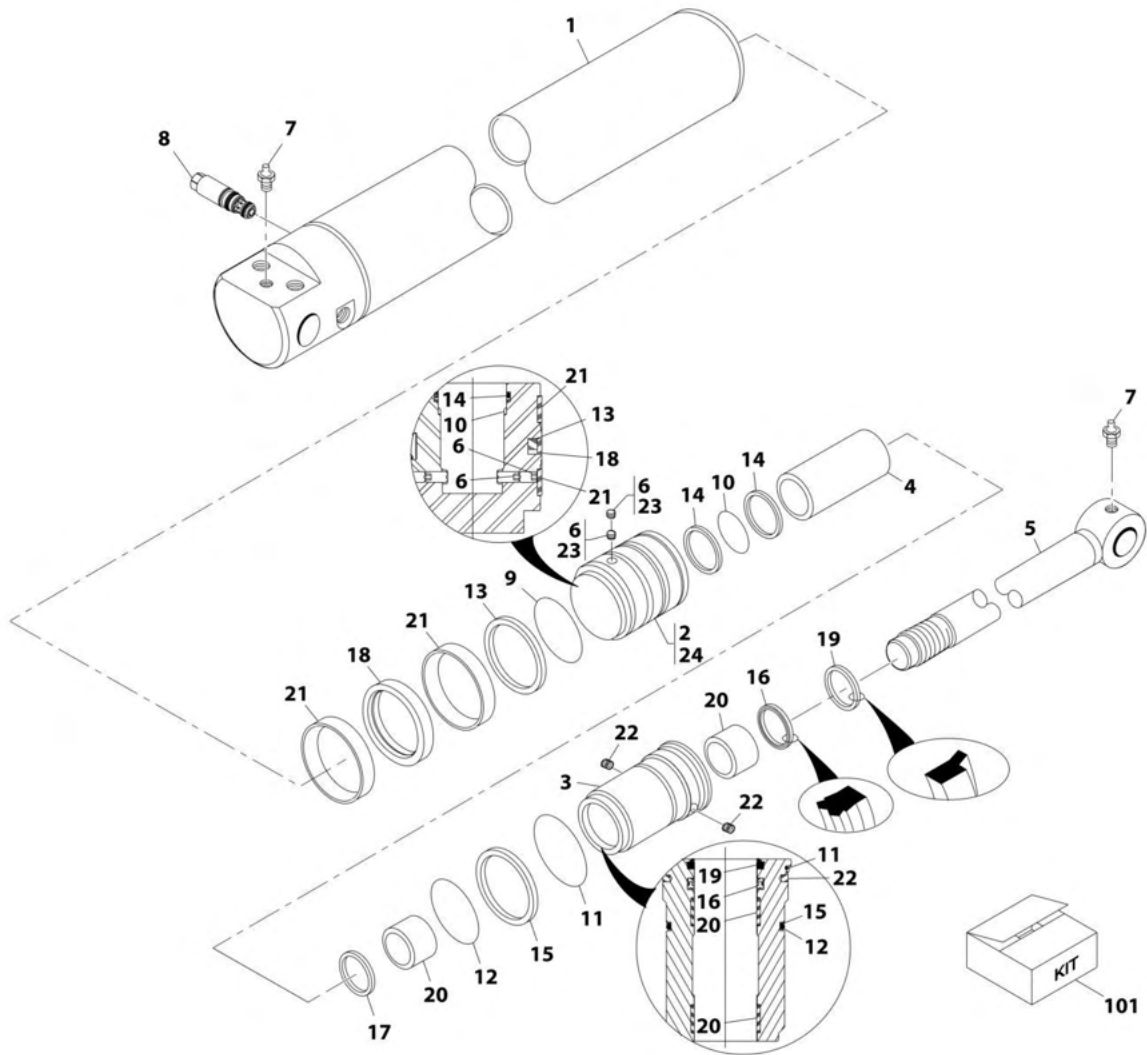
SECTION 9 - HYDRAULIC COMPONENTS

FIGURE 9-7. CYLINDER - LIFT

ITEM	PART NUMBER	QTY	DESCRIPTION	REV
	1001239179	Ref	Lift Cylinder	D
1	N.S.S.	1	Barrel	
2	70029589	1	Rod	
3	70029559	1	Piston	
4	70029560	1	Head End Cover	
5	70029561	1	Set Screw	
6	70029562	1	Snap Ring	
7	70029563	1	Snap Ring	
8	1001254411	1	Counterbalance Valve (Note: No Seal Kit Available)	
9	70029564	1	Bushing	
10	70029565	1	Snap Ring	
100	70029566	1	Seal Kit	
101	N.S.S.	2	Piston Bearing	
102	N.S.S.	1	Piston Seal	
103	N.S.S.	1	Back-Up Ring	
104	N.S.S.	1	O-Ring	
105	N.S.S.	1	Back-Up Ring	
106	N.S.S.	1	Rod Seal	
107	N.S.S.	1	Wiper	
108	N.S.S.	1	Back-Up Ring	
109	N.S.S.	1	O-Ring	
110	N.S.S.	1	O-Ring	

SECTION 9 - HYDRAULIC COMPONENTS

FIGURE 9-8. CYLINDER - EXTEND/RETRACT



ART_1001156009-D

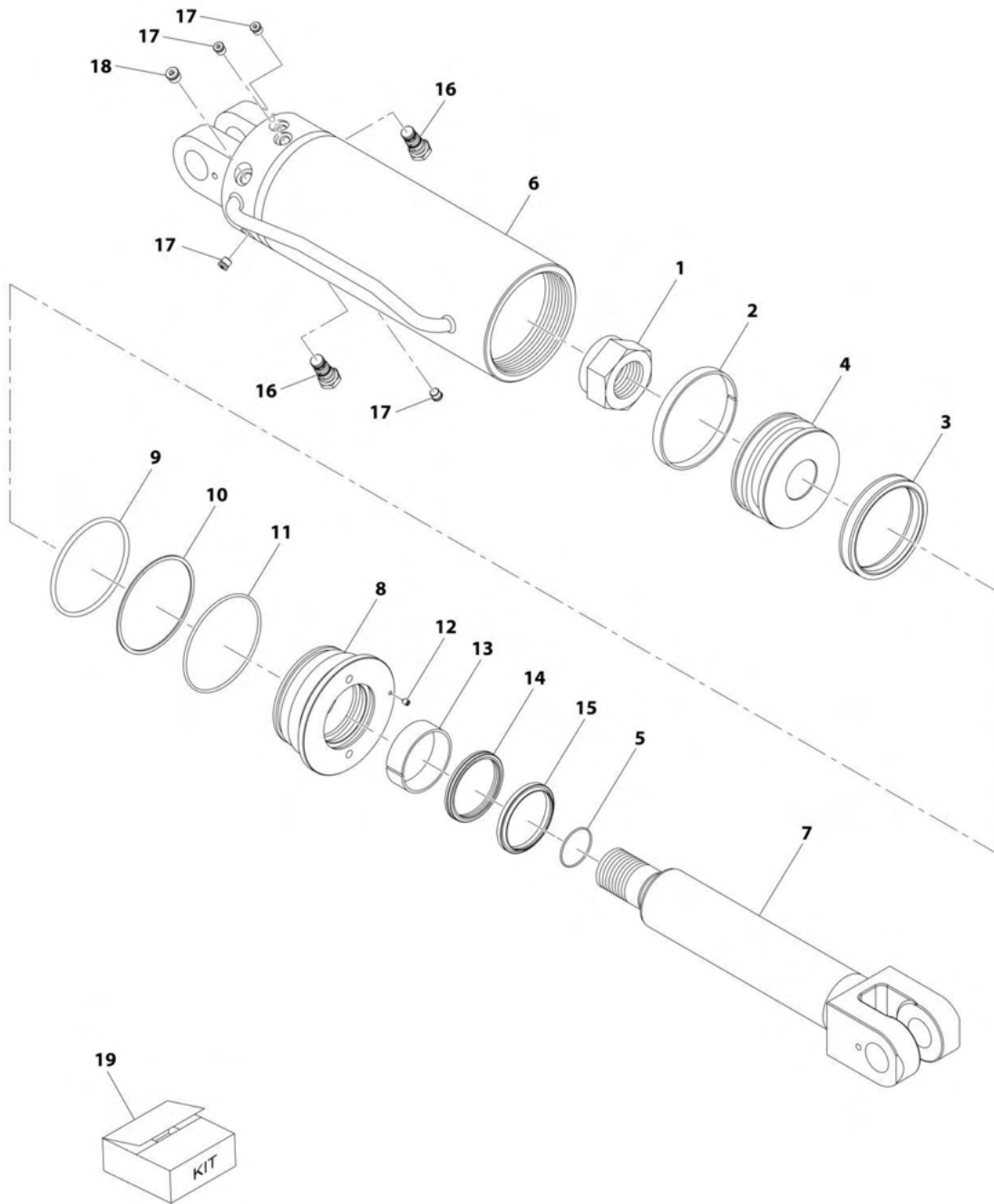
SECTION 9 - HYDRAULIC COMPONENTS

FIGURE 9-8. CYLINDER - EXTEND/RETRACT

ITEM	PART NUMBER	QTY	DESCRIPTION	REV
	1001156009	Ref	Extend/Retract Cylinder	D
1	70026036	1	Barrel	
2	70026039	1	Piston	
3	70026040	1	Head	
4	70026041	1	Spacer, Rod	
5	70026042	1	Rod	
6	8035536	2	Screw, 5/16-18X1/2	
7	70020375	2	Fitting, Straight Lube	
8	1001170316	1	Cartridge, Counterbalance Valve	
9	Kit	1	O-Ring	
10	Kit	1	O-Ring	
11	Kit	1	O-Ring	
12	Kit	1	O-Ring	
13	Kit	1	Ring, Square	
14	Kit	2	Ring, Backup	
15	Kit	1	Ring, Backup	
16	Kit	1	U-Cup	
17	Kit	1	Seal, Buffer	
18	Kit	1	Seal, Piston	
19	Kit	1	Seal, Wiper	
20	Kit	2	Ring, Wear	
21	Kit	2	Ring, Wear	
22	Kit	2	Insert, Locking	
23	8526007	AR	Compound, Locking	
24	8526011	AR	Compound, Locking	
101	70026043	1	Kit, Seal (includes items 9 thru 22)	

SECTION 9 - HYDRAULIC COMPONENTS

FIGURE 9-9. CYLINDER - FRAME LEVEL



ART_1001239181-H

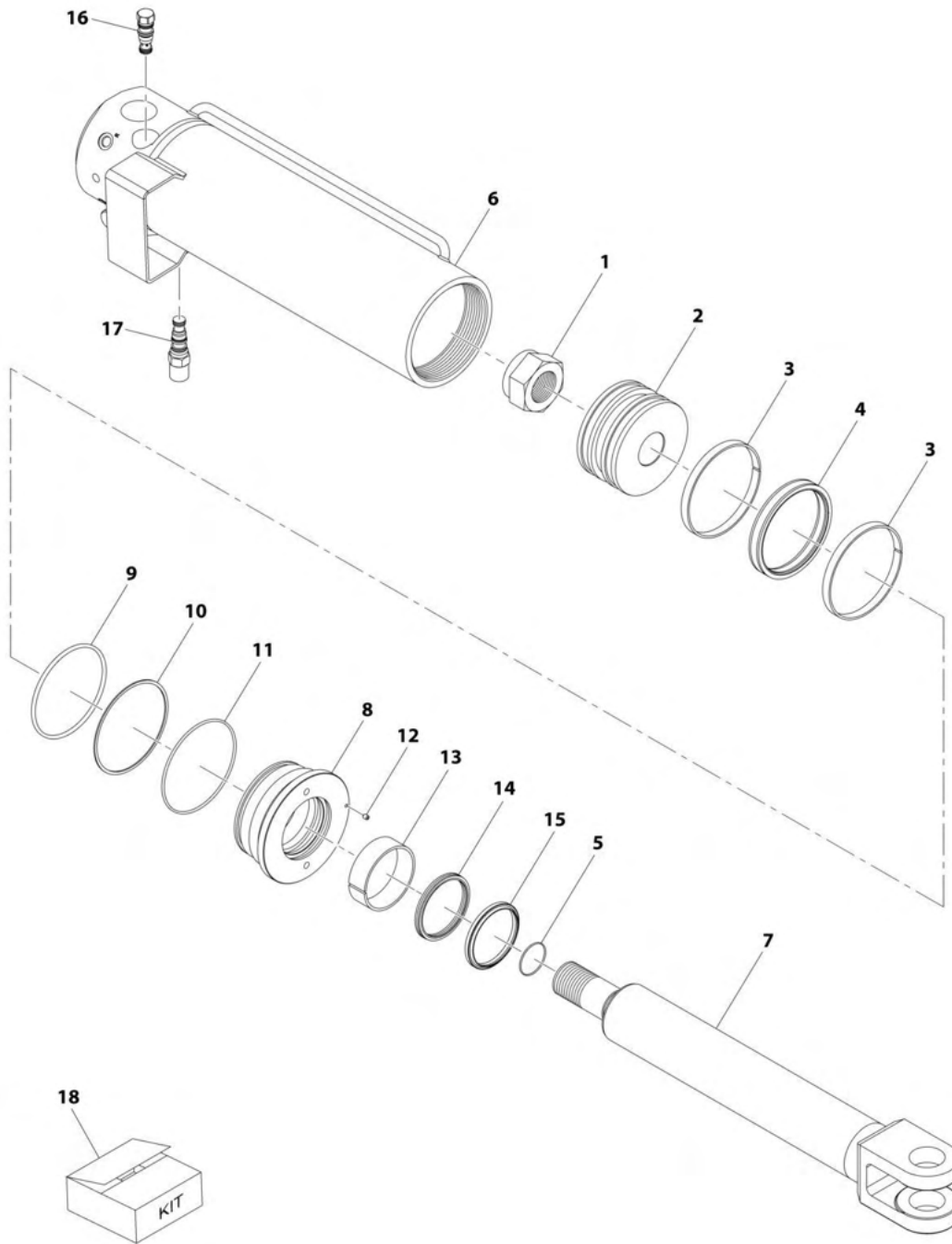
SECTION 9 - HYDRAULIC COMPONENTS

FIGURE 9-9. CYLINDER - FRAME LEVEL

ITEM	PART NUMBER	QTY	DESCRIPTION	REV
	1001239181	Ref	Frame Level Cylinder	H
1	70006285	1	Lock Nut	
2	N.S.S.	1	Wear Ring	
3	N.S.S.	1	Capped T-Seal	
4	70029883	1	Piston	
5	N.S.S.	1	O-Ring	
6	N.S.S.	1	Barrel Assembly	
7	70029884	1	Rod	
8	70029885	1	Rod Guide	
9	N.S.S.	1	O-Ring	
10	N.S.S.	1	Back-Up Ring	
11	N.S.S.	1	O-Ring	
12	70028161	1	Set Screw	
13	N.S.S.	1	Wear Ring	
14	N.S.S.	1	Z-Seal	
15	N.S.S.	1	Wiper	
16	70027693	2	Check Valve	
17	70029886	4	Plug	
18	70029887	1	Plug	
19	70029888	1	Seal Kit (Includes Items 2, 3, 5, 6, 9, 10, 11, 13, 14 & 15)	

SECTION 9 - HYDRAULIC COMPONENTS

FIGURE 9-10. CYLINDER - OUTRIGGER



ART_1001239183-E

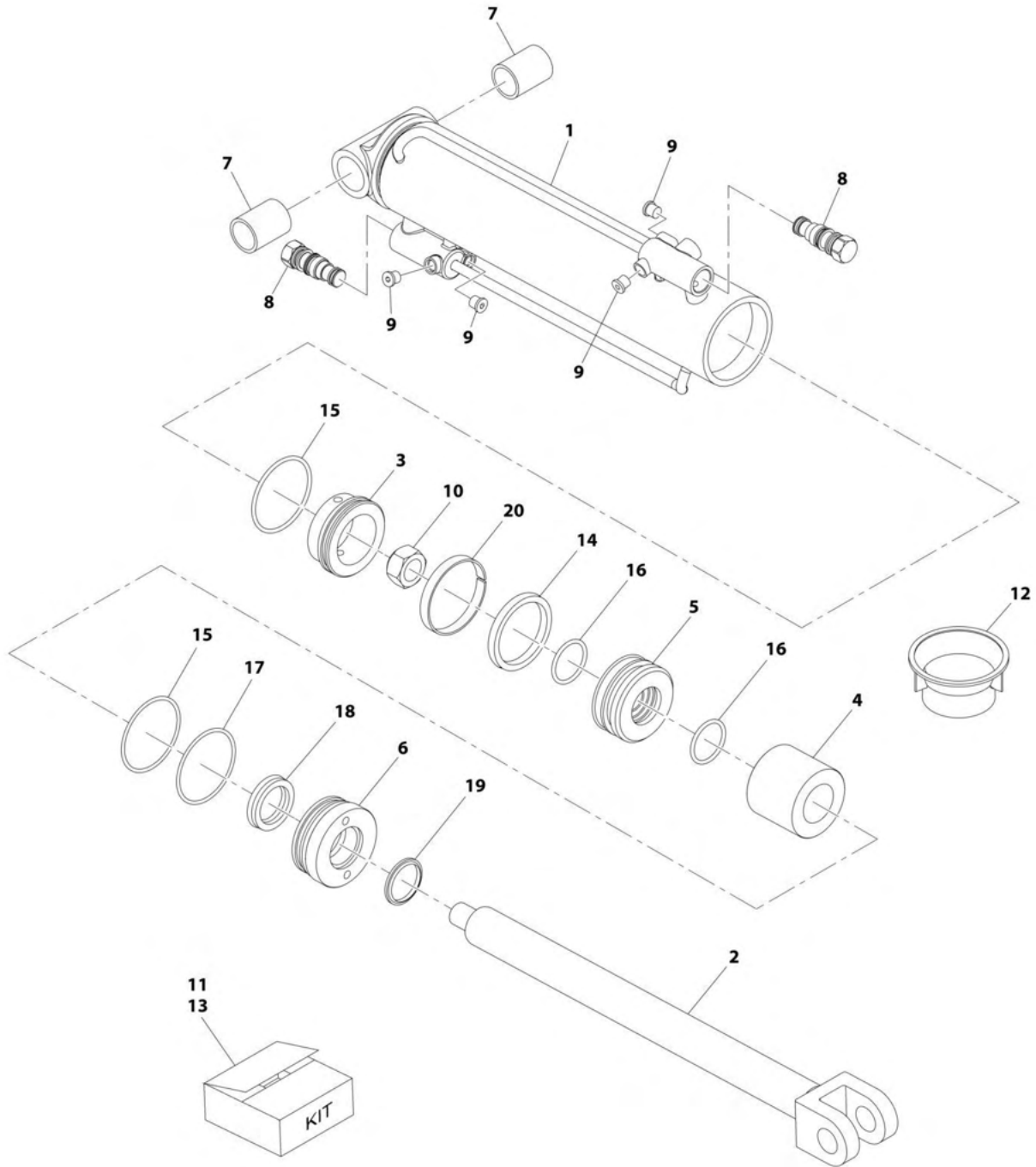
SECTION 9 - HYDRAULIC COMPONENTS

FIGURE 9-10. CYLINDER - OUTRIGGER

ITEM	PART NUMBER	QTY	DESCRIPTION	REV
	1001239183	Ref	Outrigger Cylinder	E
1	70006285	1	Lock Nut	
2	70029896	1	Piston	
3	N.S.S.	2	Wear Ring	
4	N.S.S.	1	Capped T-Seal	
5	N.S.S.	1	O-Ring	
6	N.S.S.	1	Barrel Assembly	
7	70029897	1	Rod	
8	70029898	1	Rod Guide	
9	N.S.S.	1	O-Ring	
10	N.S.S.	1	Back-Up Ring	
11	N.S.S.	1	O-Ring	
12	70028161	1	Set Screw	
13	N.S.S.	1	Wear Ring	
14	N.S.S.	1	Z-Seal	
15	N.S.S.	1	Wiper	
16	4640438	1	Cartridge, Check Valve	
16	2900770	1	Seal Kit - 4640438 Valve	
17	8036732	1	Cartridge, Counterbalance Valve	
17	2900770	1	Seal Kit - 8036732 Valve	
18	70029974	1	Seal Kit (Includes Items 3 thru 6, 9, 10, 11, 13, 14 & 15)	

SECTION 9 - HYDRAULIC COMPONENTS

FIGURE 9-11. CYLINDER - PIPE HANDLER



ART_70026587

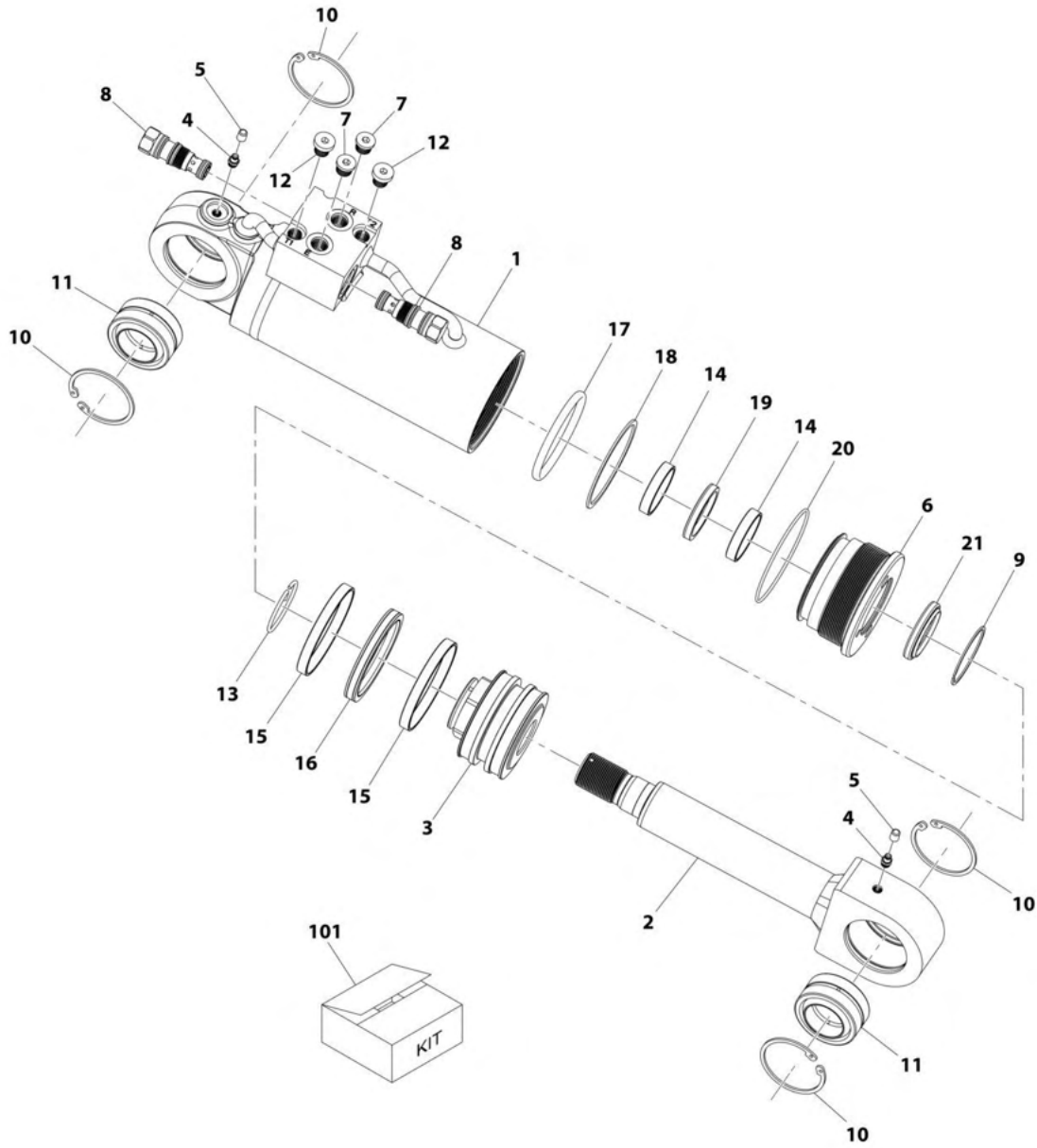
SECTION 9 - HYDRAULIC COMPONENTS

FIGURE 9-11. CYLINDER - PIPE HANDLER

ITEM	PART NUMBER	QTY	DESCRIPTION	REV
	70026587	Ref	Pipe Handler Cylinder	
1	70026495	1	Barrel	
2	70026610	1	Rod	
3	70026497	1	Spacer	
4	70026611	1	Spacer	
5	70026499	1	Piston	
6	70026500	1	Retainer	
7	70026501	2	Bushing	
8	70026502	2	Valve, Check	
9	70024129	4	Fitting, 4	
10	70026503	1	Nut	
11	70024734	1	Kit, Check Valve Service	
12	70026505	1	Seal Loader	
13	70026506	1	Seal Kit (includes items 14 thru 20)	
14	Kit	AR	Seal (Note: Use Item 13)	
15	Kit	AR	O-Ring (Note: Use Item 13)	
16	Kit	AR	O-Ring (Note: Use Item 13)	
17	Kit	AR	Ring, Back-up (Note: Use Item 13)	
18	Kit	AR	Seal (Note: Use Item 13)	
19	Kit	AR	Wiper (Note: Use Item 13)	
20	Kit	AR	Ring, Wear (Note: Use Item 13)	

SECTION 9 - HYDRAULIC COMPONENTS

FIGURE 9-12. CYLINDER - SIDE TILT



ART_1001163414-A

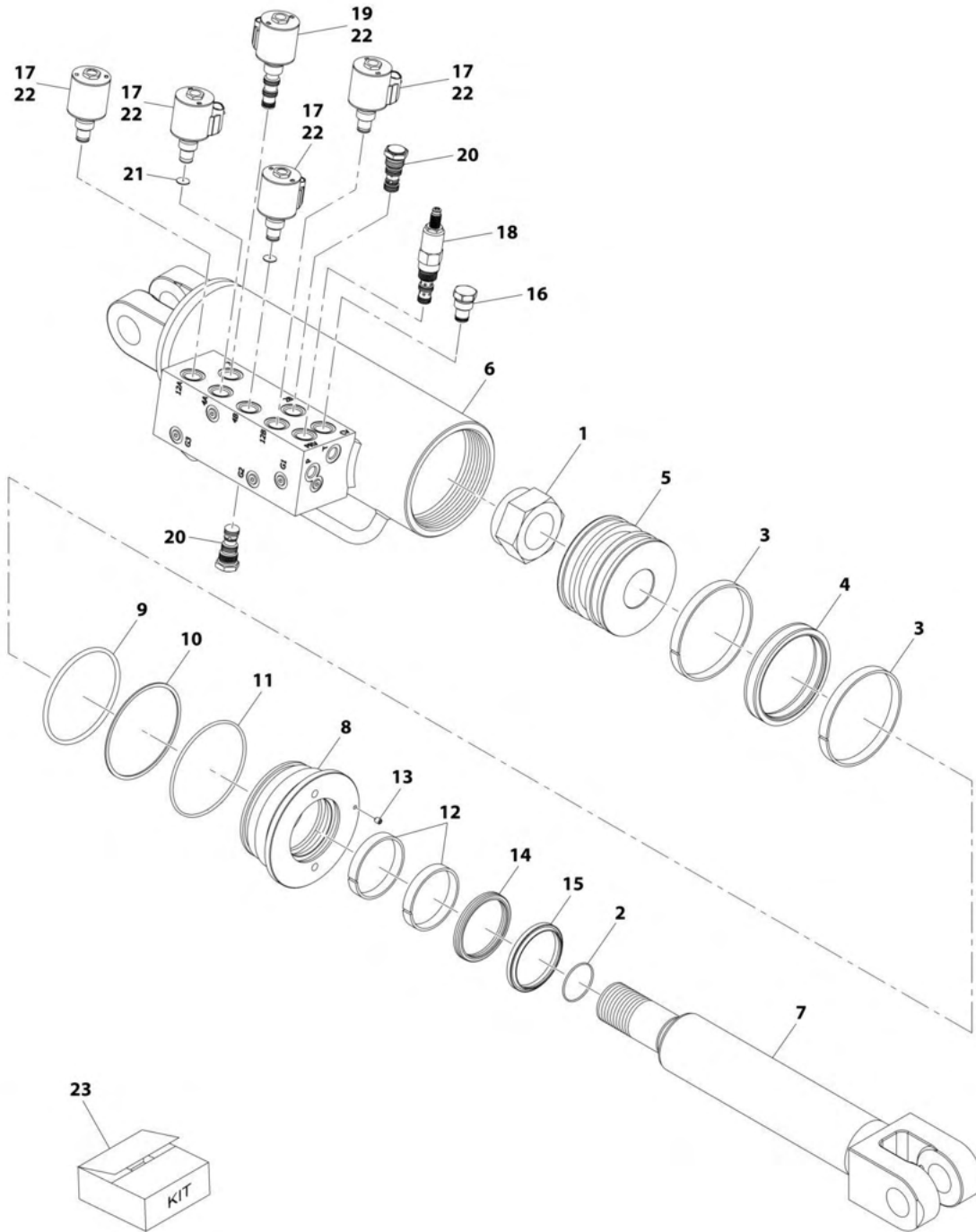
SECTION 9 - HYDRAULIC COMPONENTS

FIGURE 9-12. CYLINDER - SIDE TILT

ITEM	PART NUMBER	QTY	DESCRIPTION	REV
	1001163414	Ref	Side Tilt Cylinder	A
1	70026056	1	Barrel	
2	70026057	1	Rod	
3	70026058	1	Head, Piston	
4	70025606	2	Nipple, Grease	
5	70024020	2	Fitting, Grease	
6	70003849	1	Gland	
7	70025959	2	Plug	
8	70026059	2	Valve, P.O. Check	
9	70002219	1	Ring, Internal Snap	
10	70026060	4	Ring, Internal Snap	
11	70026061	2	Bearing, Spherical	
12	70024262	2	Plug	
13	70002224	1	Ring, Locking	
14	Kit	2	Ring, Rod Bearing	
15	Kit	2	Ring, Piston Bearing	
16	Kit	1	Seal, Piston	
17	Kit	1	O-Ring	
18	Kit	1	Ring, Back-Up	
19	Kit	1	Seal, Rod	
20	Kit	1	O-Ring	
21	Kit	1	Seal, Wiper	
101	70026062	1	Kit, Seal (includes items 14 thru 21)	

SECTION 9 - HYDRAULIC COMPONENTS

FIGURE 9-13. CYLINDER - STABIL-TRAK



ART_1001239182-G

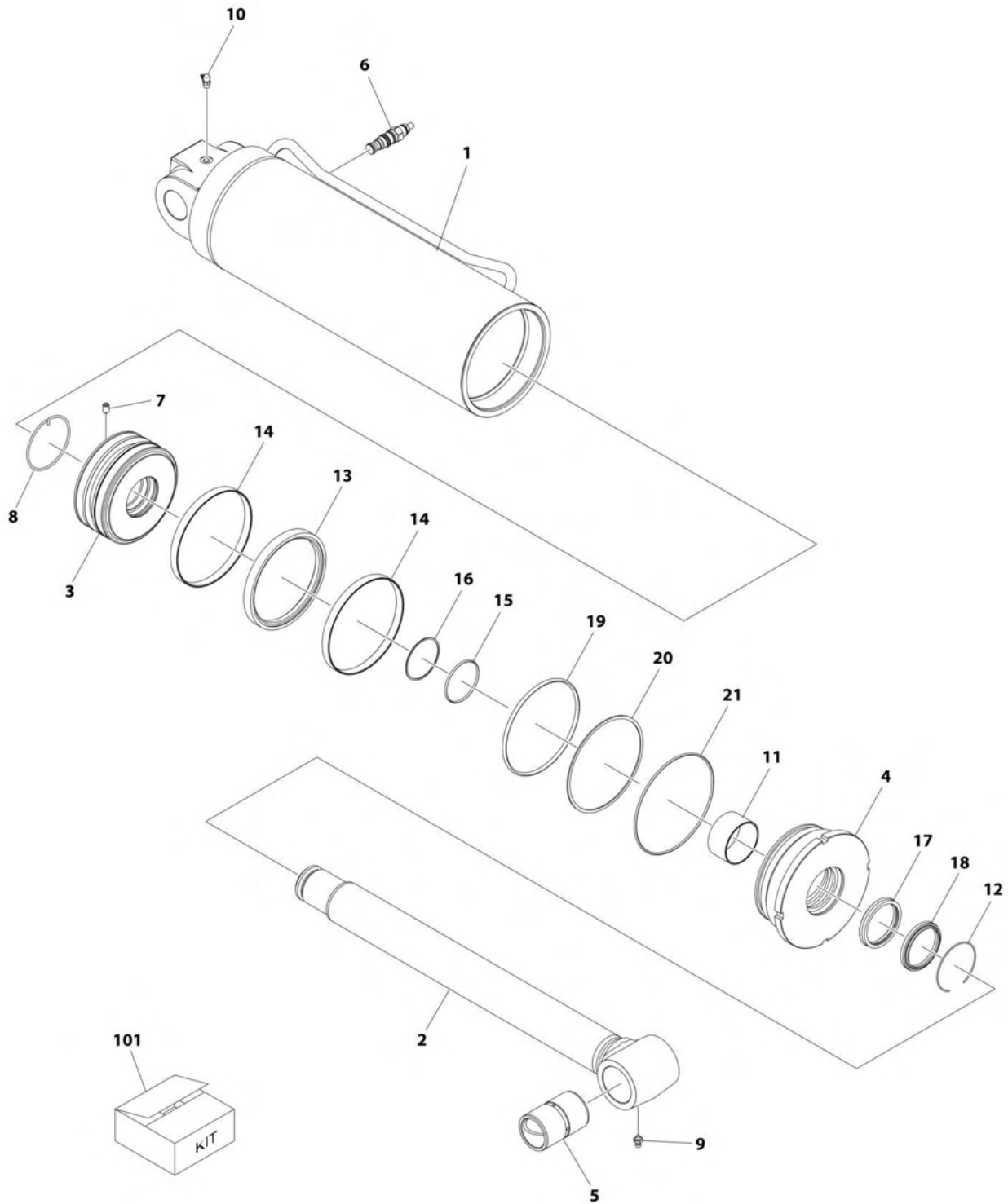
SECTION 9 - HYDRAULIC COMPONENTS

FIGURE 9-13. CYLINDER - STABIL-TRAK

ITEM	PART NUMBER	QTY	DESCRIPTION	REV
	1001239182	Ref	Stabil-Trak Cylinder	G
1	70006285	1	Lock Nut	
2	N.S.S.	1	O-Ring	
3	N.S.S.	2	Wear Ring	
4	N.S.S.	1	Capped T-Seal	
5	70029893	1	Piston	
6	N.S.S.	1	Barrel Assembly	
7	70029894	1	Rod	
8	70029885	1	Rod Guide	
9	N.S.S.	1	O-Ring	
10	N.S.S.	1	Back-Up Ring	
11	N.S.S.	1	O-Ring	
12	N.S.S.	2	Wear Ring	
13	70028161	1	Set Screw	
14	N.S.S.	1	Z-Seal	
15	N.S.S.	1	Wiper	
16	8036582	1	Valve, Check	
17	8036581	4	Valve, Cartridge	
18	8035282	1	Pres Reducing Valve	
19	8036580	1	Valve, Cartridge	
19	7012903	1	Seal Kit - 8036580 Valve	
20	8035281	2	Valve, Pilot	
21	8035781	2	Orifice Disc	
22	7029246	5	Solenoid Coil	
23	70029895	1	Seal Kit (Includes Items 2, 3, 4, 9 thru 11, 14 & 15)	

SECTION 9 - HYDRAULIC COMPONENTS

FIGURE 9-14. CYLINDER - TILT



ART_1001258911

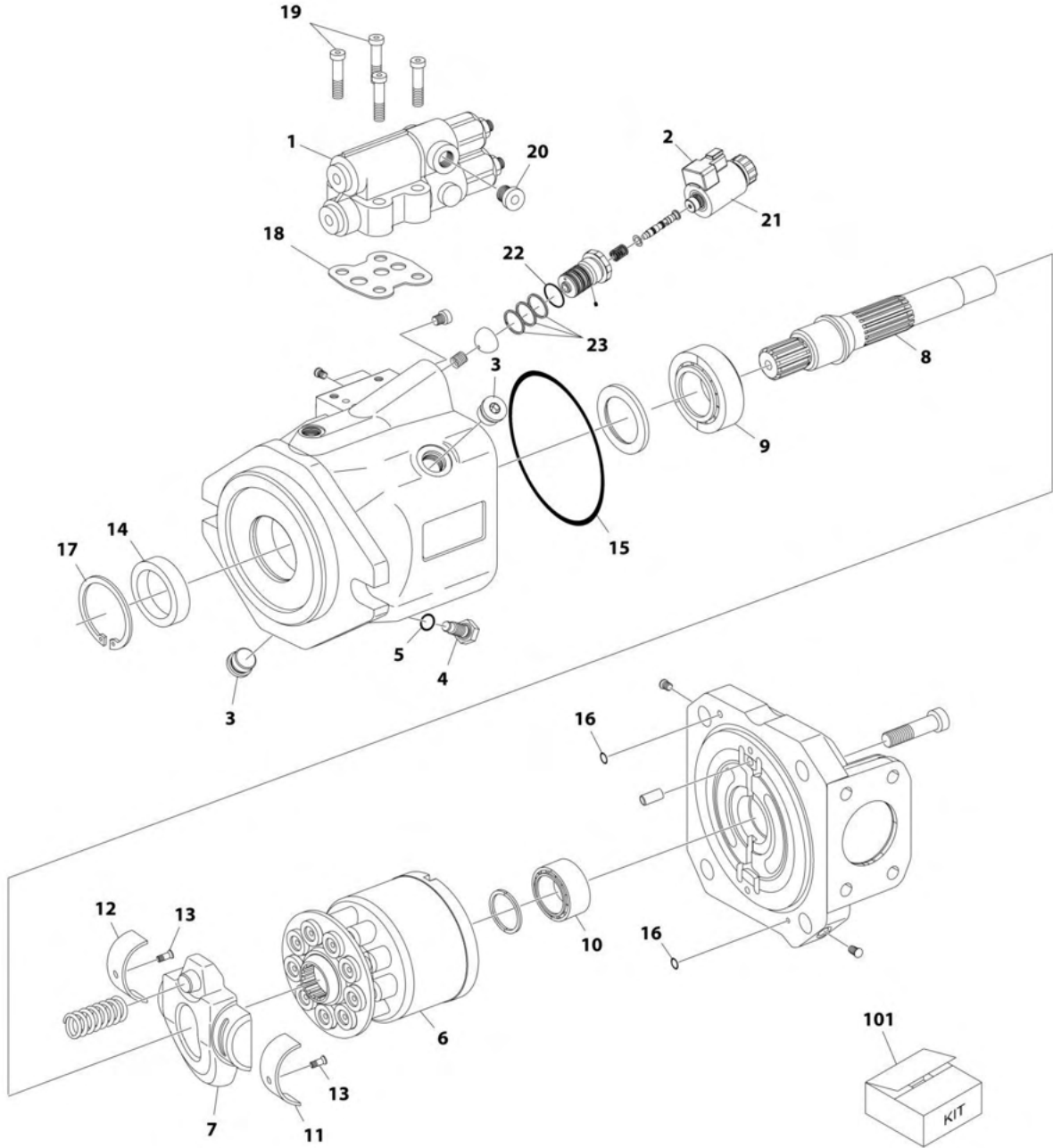
SECTION 9 - HYDRAULIC COMPONENTS

FIGURE 9-14. CYLINDER - TILT

ITEM	PART NUMBER	QTY	DESCRIPTION	REV
	1001258911	Ref	Tilt Cylinder	A
1	N.S.S.	1	Barrel	
2	70029590	1	Rod	
3	70029567	1	Piston	
4	70029568	1	Head End Cover	
5	70029569	1	Bushing	
6	8035321	1	Counterbalance Valve	
6	8035327	1	Seal Kit, Cb Valve	
7	70029561	1	Set Screw	
8	70029570	1	Snap Ring	
9	8520013	1	Grease Nipple, Str	
10	8520021	1	Grease Nipple, 90 Deg	
11	70029571	1	Bushing	
12	70029572	1	Snap Ring	
13	N.S.S.	1	Piston Seal	
14	N.S.S.	2	Piston Bearing	
15	N.S.S.	1	O-Ring	
16	N.S.S.	1	Back-Up Ring	
17	N.S.S.	1	Rod Seal	
18	N.S.S.	1	Wiper	
19	N.S.S.	1	O-Ring	
20	N.S.S.	1	Back-Up Ring	
21	N.S.S.	1	O-Ring	
101	70029573	1	Seal Kit, (includes items 13 Thru 21)	

SECTION 9 - HYDRAULIC COMPONENTS

FIGURE 9-15. PUMP - PISTON



ART_1001251423_C

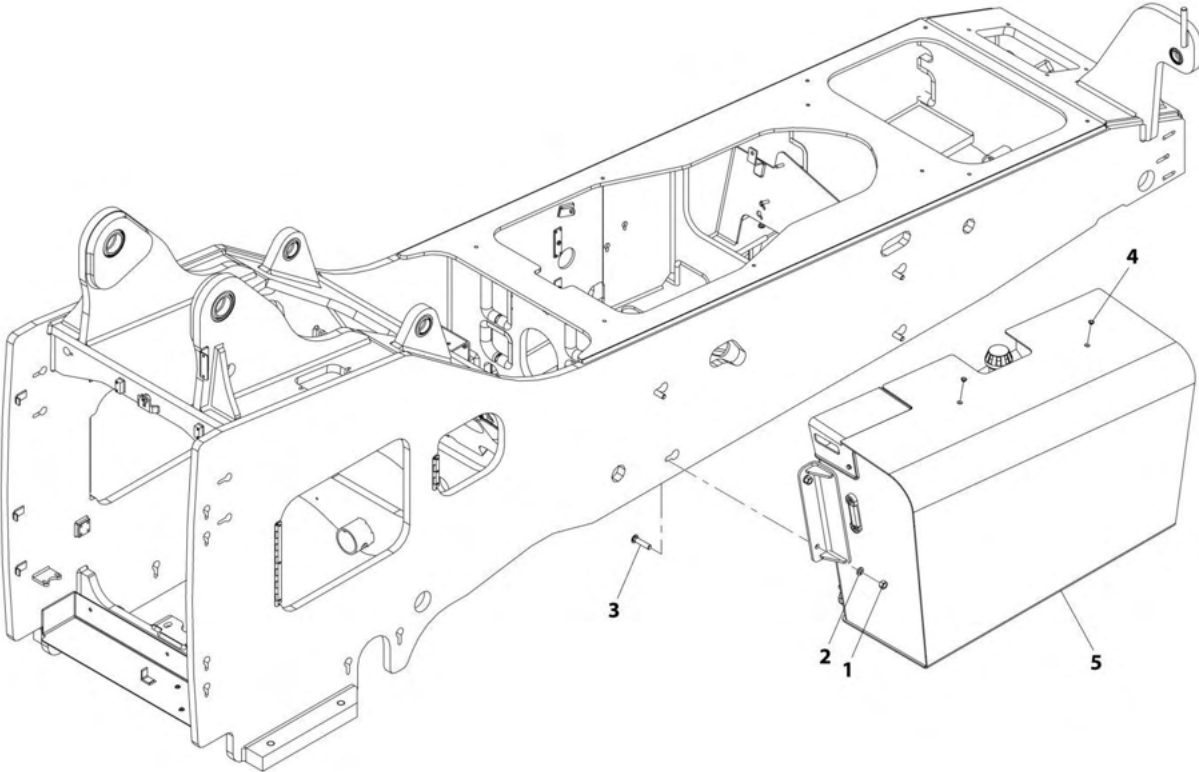
SECTION 9 - HYDRAULIC COMPONENTS

FIGURE 9-15. PUMP - PISTON

ITEM	PART NUMBER	QTY	DESCRIPTION	REV
	1001251423	Ref	PISTON PUMP	C
1	70003738	1	Control Valve	
2	70024186	1	Control Valve	
3	70024407	2	Plug	
4	70024408	1	Stop Screw	
4	See Note	NSS	O-Ring (Note: Use Item 101)	
6	70024411	1	Rotary Group	
7	70024412	1	Swash Plate	
8	7024939	1	Drive Shaft	
9	7024943	1	Bearing	
10	7024944	1	Bearing	
11	70024414	1	Bearing-Liner	
12	70024415	1	Bearing-Liner	
13	7024953	2	Screw	
14	80634004	1	Shaft Seal	
15	See Note	NSS	O-Ring (Note: Use Item 101)	
16	See Note	NSS	Seal (Note: Use Item 101)	
17	80334277	1	Retaining Ring	
18	70021867	1	Gasket	
19	7024954	4	Socket Hd Capscrew	
20	70024416	1	Plug	
21	70025897	1	Solenoid	
22	See Note	NSS	O-Ring (Note: Use Item 101)	
23	See Note	NSS	R-Ring (Note: Use Item 101)	
101	70024189	1	Seal Kit (Includes Items 5, 15,16,22 & 23)	

SECTION 9 - HYDRAULIC COMPONENTS

FIGURE 9-16. TANK INSTALLATION (74HP ULS)



ART_1001242910-B

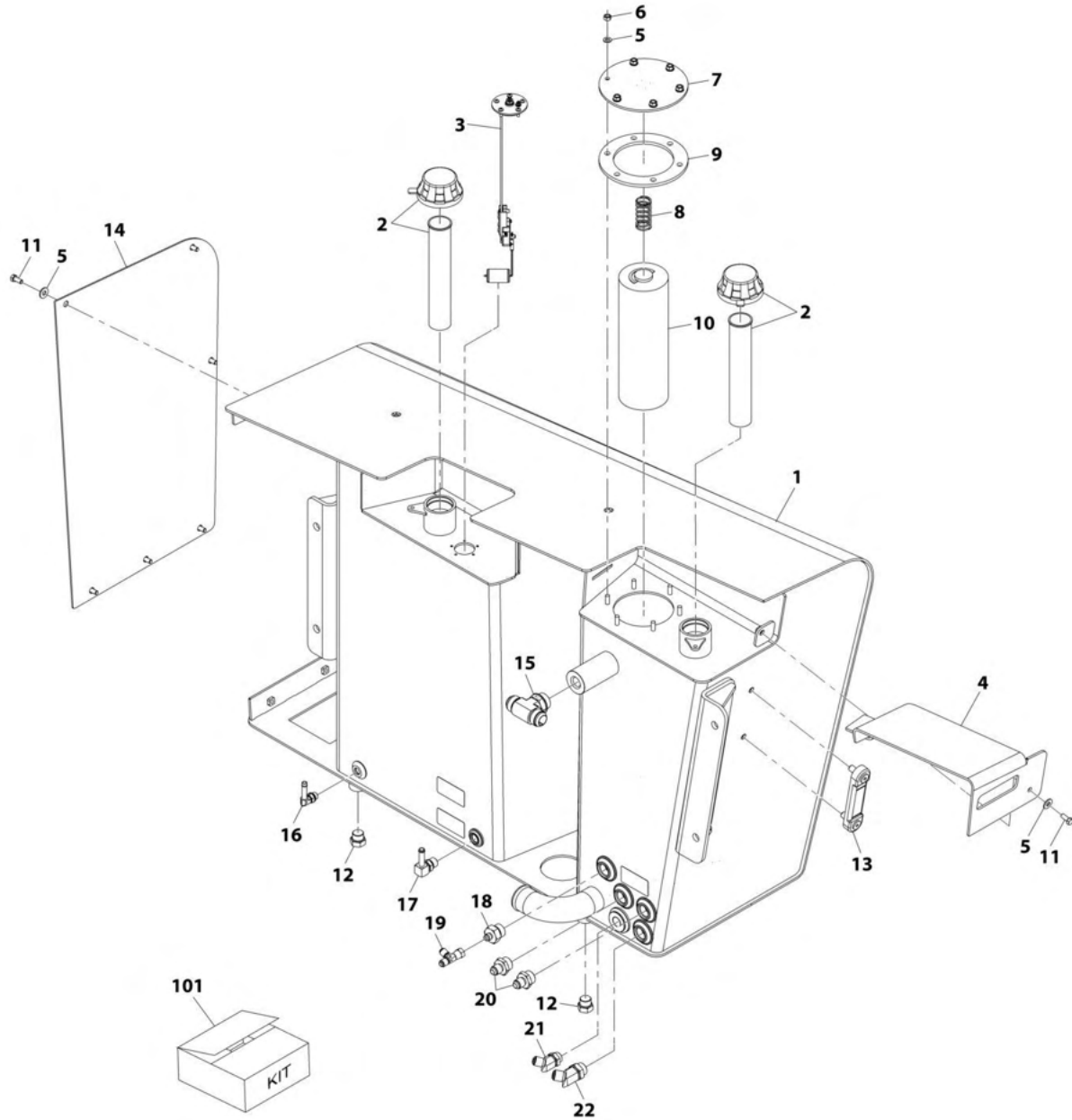
SECTION 9 - HYDRAULIC COMPONENTS

FIGURE 9-16. TANK INSTALLATION (74HP ULS)

ITEM	PART NUMBER	QTY	DESCRIPTION	REV
	1001242910	Ref	Tank Installation (74HP)	B
1	8305014	4	Nut	
2	8307009	4	Washer	
3	88411148	4	Bolt	
4	1001195826	2	Plug	
5	1001227211	1	Tank Assembly (See Separate Breakdown in this Section)	

SECTION 9 - HYDRAULIC COMPONENTS

FIGURE 9-17. TANK ASSEMBLY - HYDRAULIC FUEL (74HP ULS)



ART_1001227211

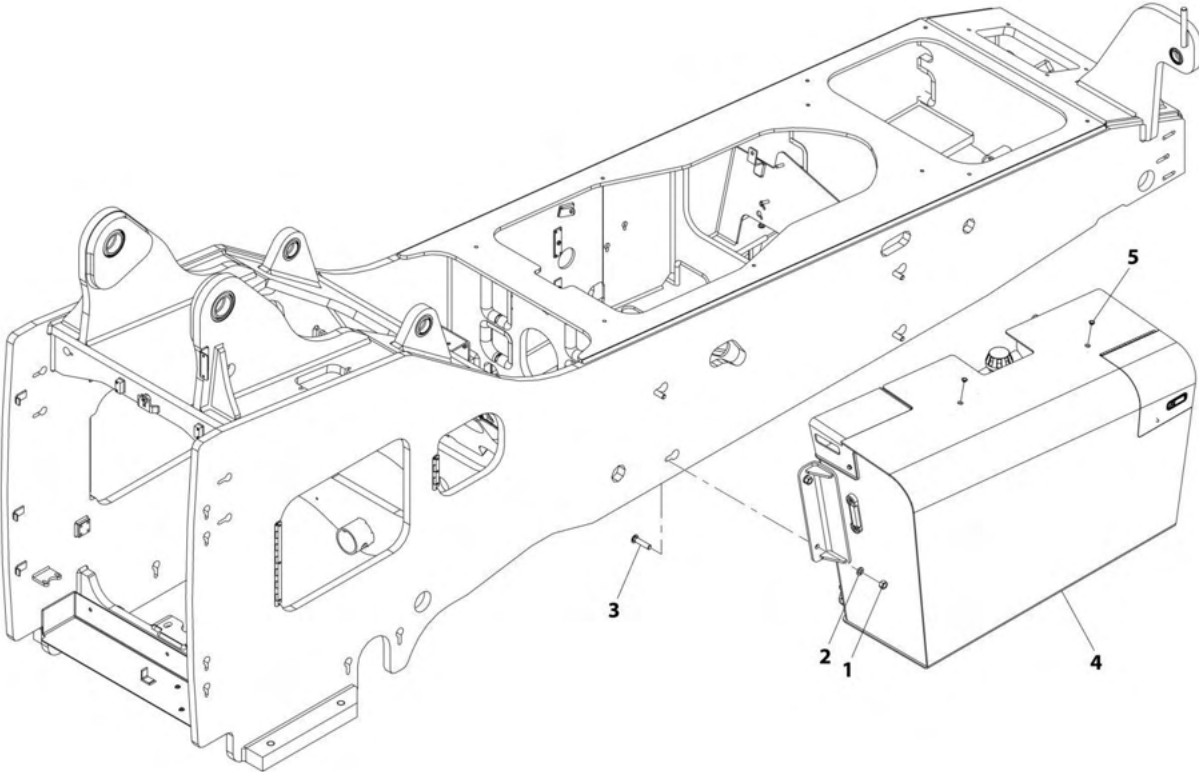
SECTION 9 - HYDRAULIC COMPONENTS

FIGURE 9-17. TANK ASSEMBLY - HYDRAULIC FUEL (74HP ULS)

ITEM	PART NUMBER	QTY	DESCRIPTION	REV
	1001227211	Ref	Hydraulic/Fuel Tank Assembly (ULS)	B
1	N.S.S.	1	Weldment, Hydraulic/Fuel Tank	
2	7139077	2	Filler/Breather	
3	1001145026	1	Sensor, Fuel	
4	1001199116	1	Panel, Hydraulic Fill Cover	
5	1001170329	13	Washer, Flat M8	
6	3300429	6	Nut 5/16	
7	1001199135	1	Assembly, Cover	
8	1001199136	1	Spring	
9	1001199177	1	Seal	
10	1001199205	1	Element, Filter	
11	8303697	7	Bolt 5/16 X 3/4	
12	2220239	2	Plug	
13	7024441	1	Gauge, Sight	
14	1001199181	1	Cover, DEF Tank	
15	8760552	1	Tee, Branch	
16	1001178776	1	Elbow, 90	
17	1001199210	1	Elbow, 90	
18	2220577	1	Adapter	
19	2220635	1	Tee, Run	
20	2220375	2	Adapter	
21	2220499	1	Elbow, 45	
22	8770048	1	Elbow, 45	
101	70024152	1	Kit, Filter (Includes Items 9 & 10)	

SECTION 9 - HYDRAULIC COMPONENTS

FIGURE 9-18. TANK INSTALLATION (130HP ULS)



ART_1001242755-B

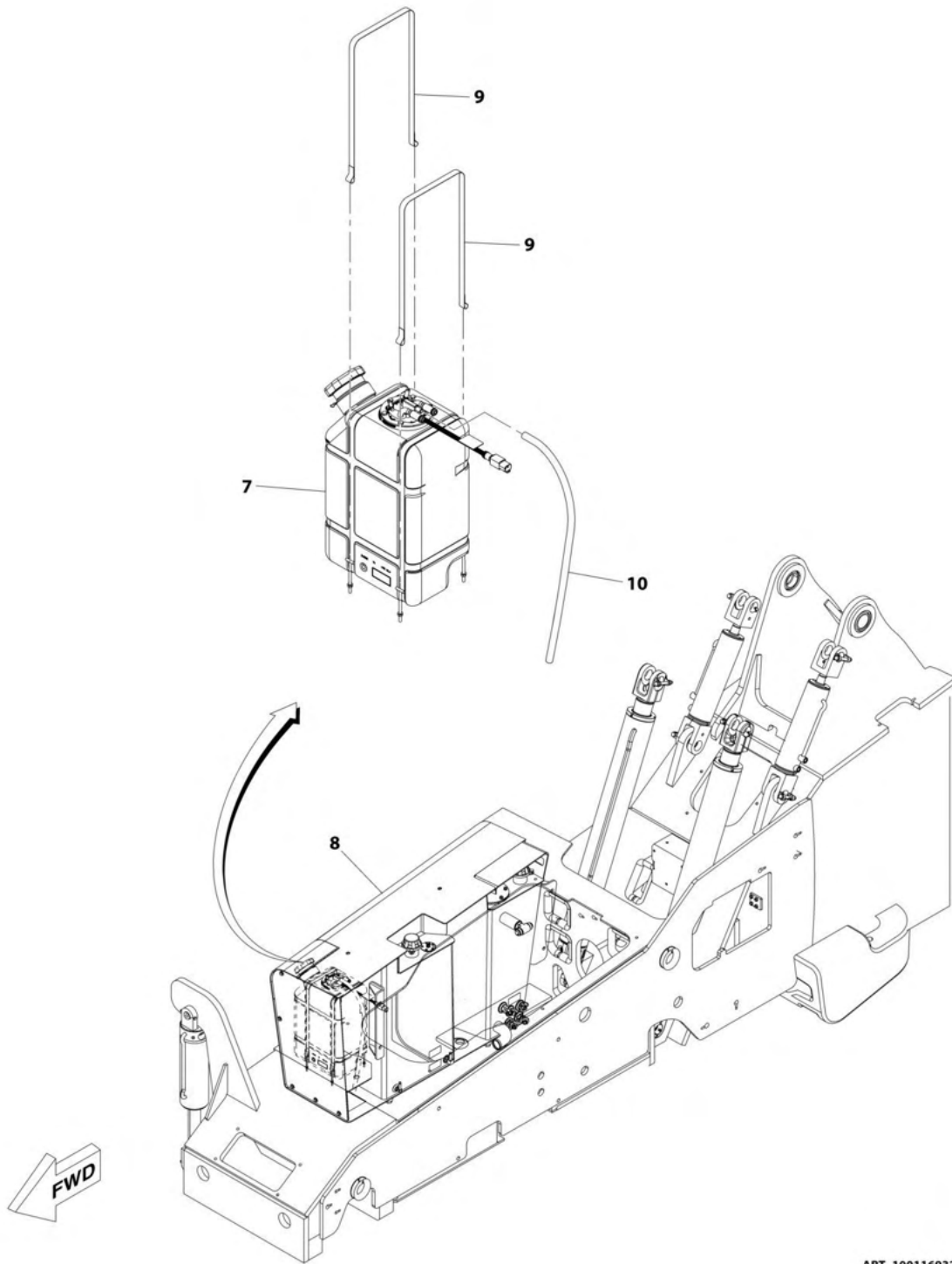
SECTION 9 - HYDRAULIC COMPONENTS

FIGURE 9-18. TANK INSTALLATION (130HP ULS)

ITEM	PART NUMBER	QTY	DESCRIPTION	REV
	1001242755	Ref	Tank Installation (ULS)	B
1	8305014	4	Nut	
2	8307009	4	Washer	
3	88411148	4	Bolt	
4	1001169329	1	Hydraulic/Fuel/DEF Tank Installation (See Separate breakdown in this Section)	
5	1001195826	2	Plug	

SECTION 9 - HYDRAULIC COMPONENTS

FIGURE 9-19. TANK INSTALLATION - HYDRAULIC/FUEL/DEF (130HP ULS)



ART_1001169329_E

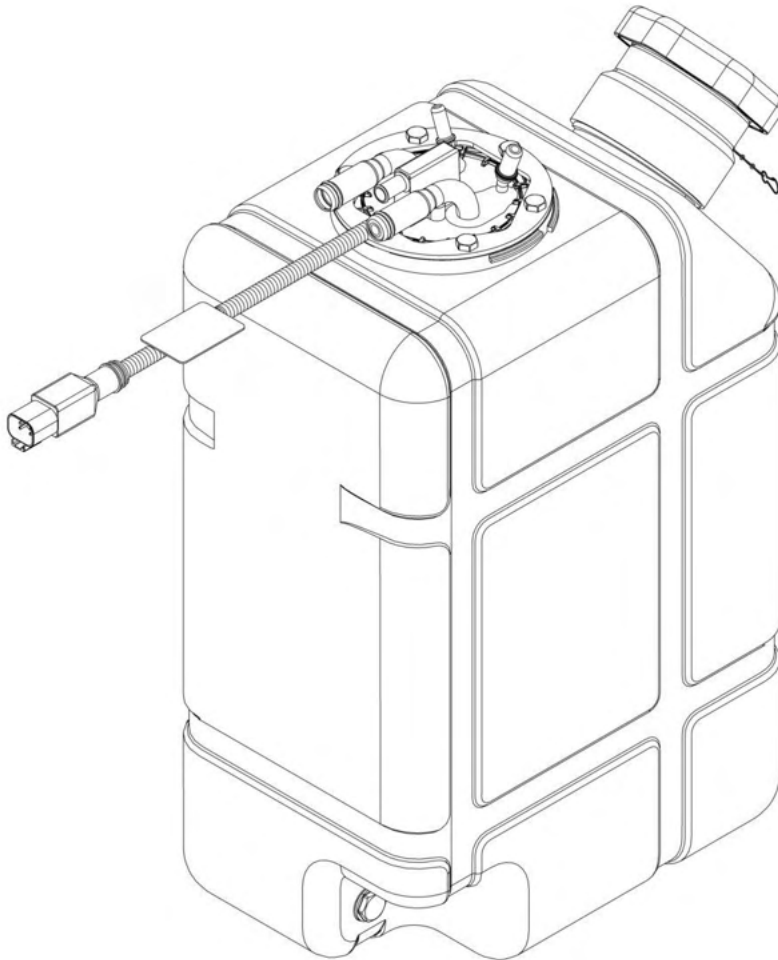
SECTION 9 - HYDRAULIC COMPONENTS

FIGURE 9-19. TANK INSTALLATION - HYDRAULIC/FUEL/DEF (130HP ULS)

ITEM	PART NUMBER	QTY	DESCRIPTION	REV
	1001169329	Ref	Hydraulic/Fuel/DEF Tank Installation	E
7	1001228986	1	DEF Tank (See Separate Breakdown in this Section)	
8	1001169466	1	Weldment, Fuel/Hydraulic Tank (See Separate Breakdown in this Section)	
9	1001170856	2	Strap, DEF Tank	
10	1001229095	1	Hose, DEF Tank Vent	

SECTION 9 - HYDRAULIC COMPONENTS

FIGURE 9-20. TANK - DEF TANK (130HP ULS)



ART_1001228986-A

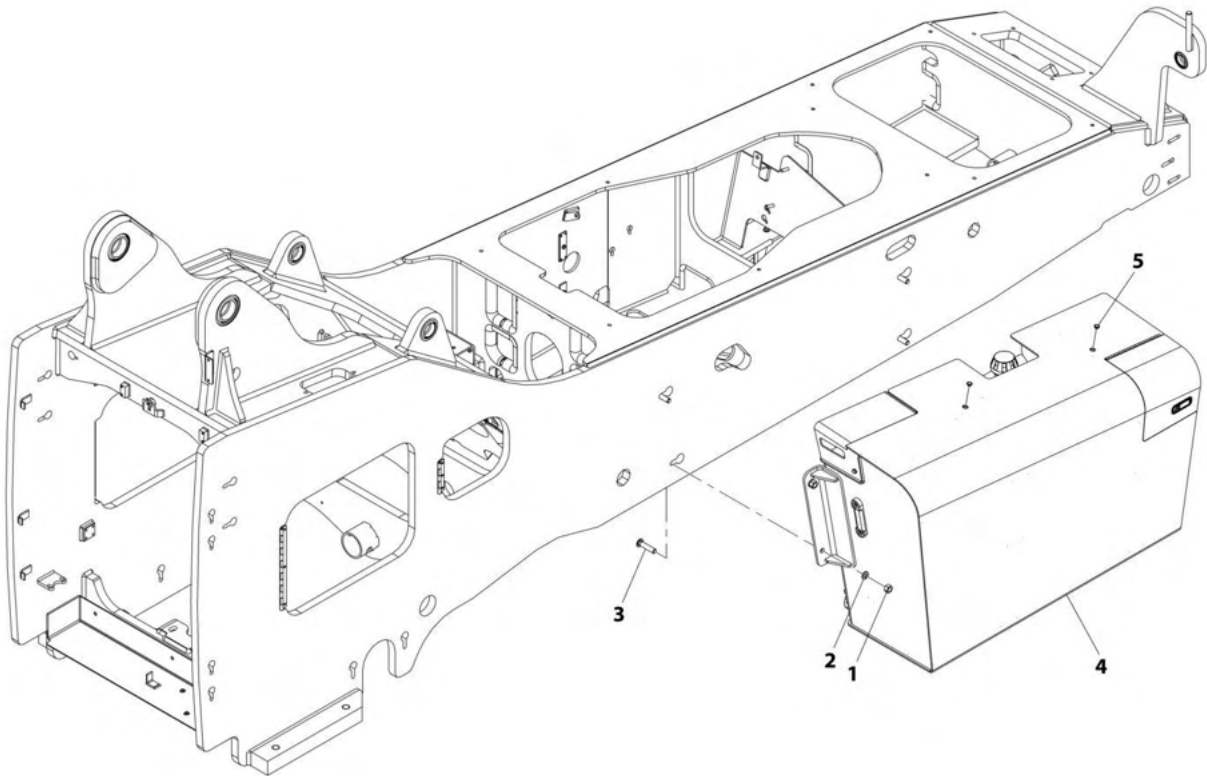
SECTION 9 - HYDRAULIC COMPONENTS

FIGURE 9-20. TANK - DEF TANK (130HP ULS)

ITEM	PART NUMBER	QTY	DESCRIPTION	REV
	1001228986	1	DEF Tank Assembly, (Contact Cummins at 1-800-CUMMINS for all service if the DEF tank assembly is still within warranty. Warranty may be voided if service is conducted by anyone other than Cummins service personnel)	A

SECTION 9 - HYDRAULIC COMPONENTS

FIGURE 9-21. TANK INSTALLATION (130HP LS)



ART_1001242909-B

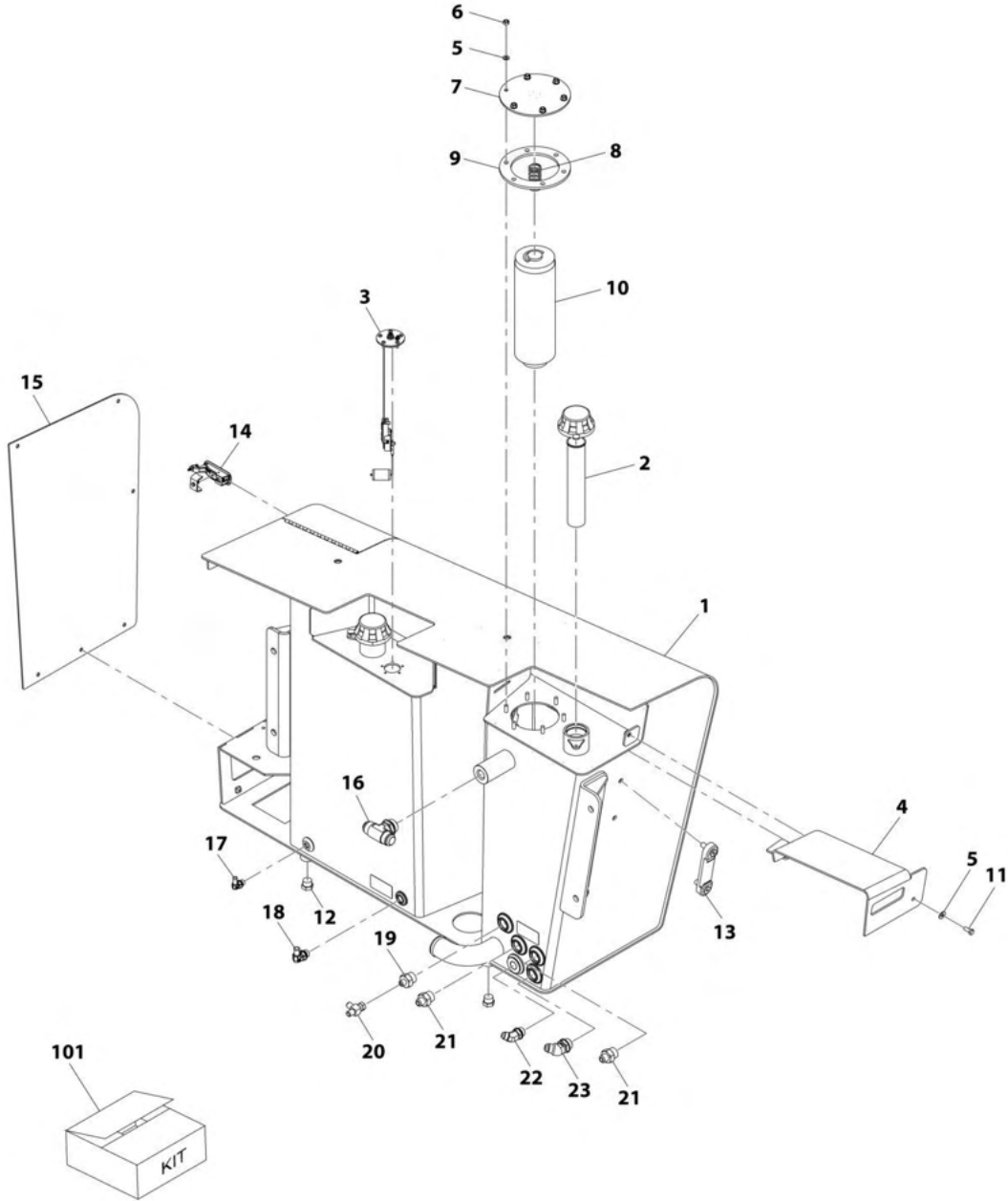
SECTION 9 - HYDRAULIC COMPONENTS

FIGURE 9-21. TANK INSTALLATION (130HP LS)

ITEM	PART NUMBER	QTY	DESCRIPTION	REV
	1001242909	Ref	Tank Installation (LS)	B
1	8305014	4	Nut	
2	8307009	4	Washer	
3	88411148	4	Bolt	
4	1001169466	1	Hydraulic/Fuel/DEF Tank Installation (See Separate Breakdown in this Section)	
5	1001195826	2	Plug	

SECTION 9 - HYDRAULIC COMPONENTS

FIGURE 9-22. TANK ASSEMBLY - HYDRAULIC/FUEL/DEF (130HP LS)



ART_1001169466

SECTION 9 - HYDRAULIC COMPONENTS

FIGURE 9-22. TANK ASSEMBLY - HYDRAULIC/FUEL/DEF (130HP LS)

ITEM	PART NUMBER	QTY	DESCRIPTION	REV
	1001169466	Ref	Hydraulic/Fuel/DEF Tank Assembly (LS)	M
1	N.S.S.	1	Weldment, Hydraulic/Fuel Tank	
2	7139077	2	Filler/Breather	
3	1001145026	1	Sensor, Fuel	
4	1001199116	1	Panel, Hydraulic Fill Cover	
5	1001170329	7	Washer, Flat M8	
6	3300429	6	Nut, Hex 31-18	
7	1001199135	1	Assembly, Cover	
8	1001199136	1	Spring	
9	1001199177	1	Seal	
10	1001199205	1	Element, Filter	
11	8303697	1	Bolt, Hex Hd 5/16-18X3/4	
12	2220239	2	Plug	
13	7024441	1	Gauge, Sight	
14	1001199199	1	Latch	
15	1001199181	1	Cover, DEF Tank	
16	8760552	1	Tee, Branch	
17	1001178776	1	Elbow, 90	
18	1001199210	1	Elbow, 90	
19	2220577	1	Adapter	
20	2220635	1	Tee, Run	
21	2220375	2	Adapter	
22	2220499	1	Elbow, 45	
23	8770048	1	Elbow, 45	
101	70024152	1	Kit, Filter (Includes Items 9 & 10)	

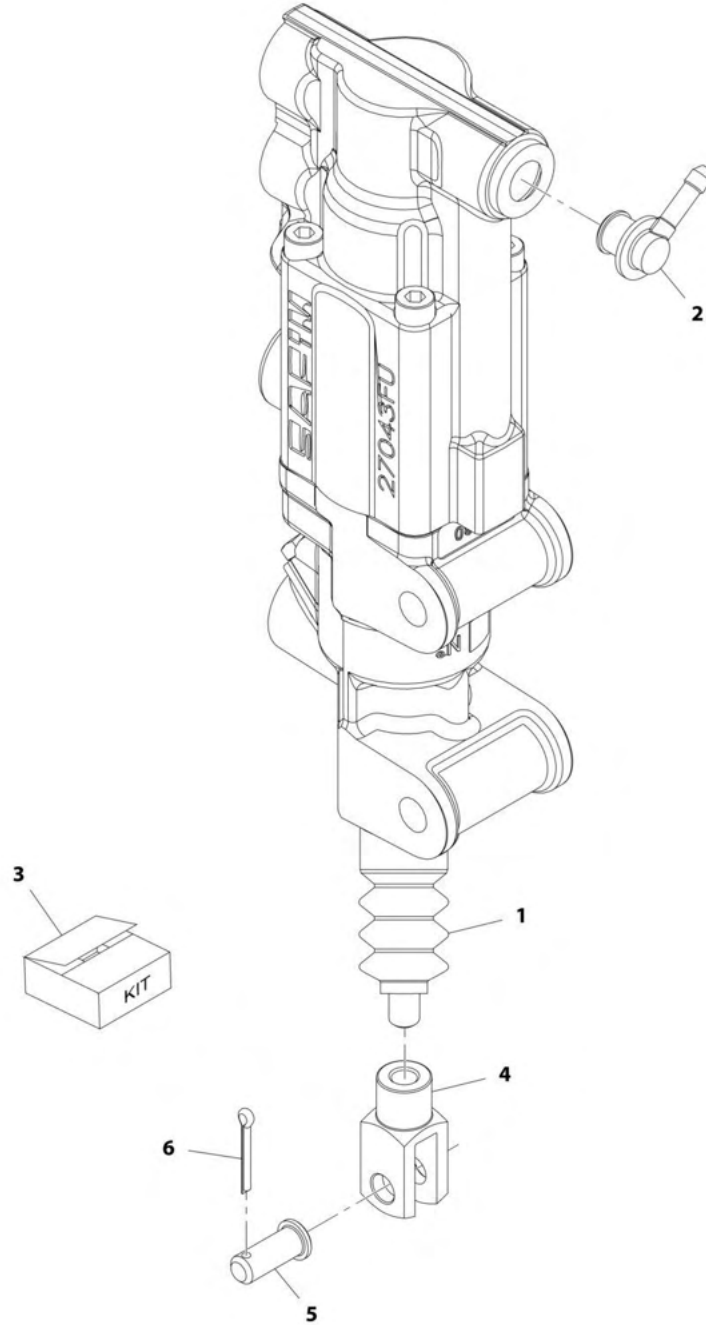
SECTION 9 - HYDRAULIC COMPONENTS

FIGURE 9-23. VALVE - AIR SHUT OFF

ITEM	PART NUMBER	QTY	DESCRIPTION	REV
	1001204032	Ref	Air Shut Off Valve	C
1	70028514	1	Kit, Solenoid 12V (Includes Solenoid, Coil, O-Ring)	
2	70028515	1	Kit, Switch (Includes Ball Switch & O-Ring)	
3	70028516	1	Kit, Flange and Hardware (Includes Flanges (Male & Female) & Mounting Hardware)	
4	70028517	1	Kit, Handle (Includes Handle & Pin)	

SECTION 9 - HYDRAULIC COMPONENTS

FIGURE 9-24. VALVE - BRAKE



ART_1001201721-D

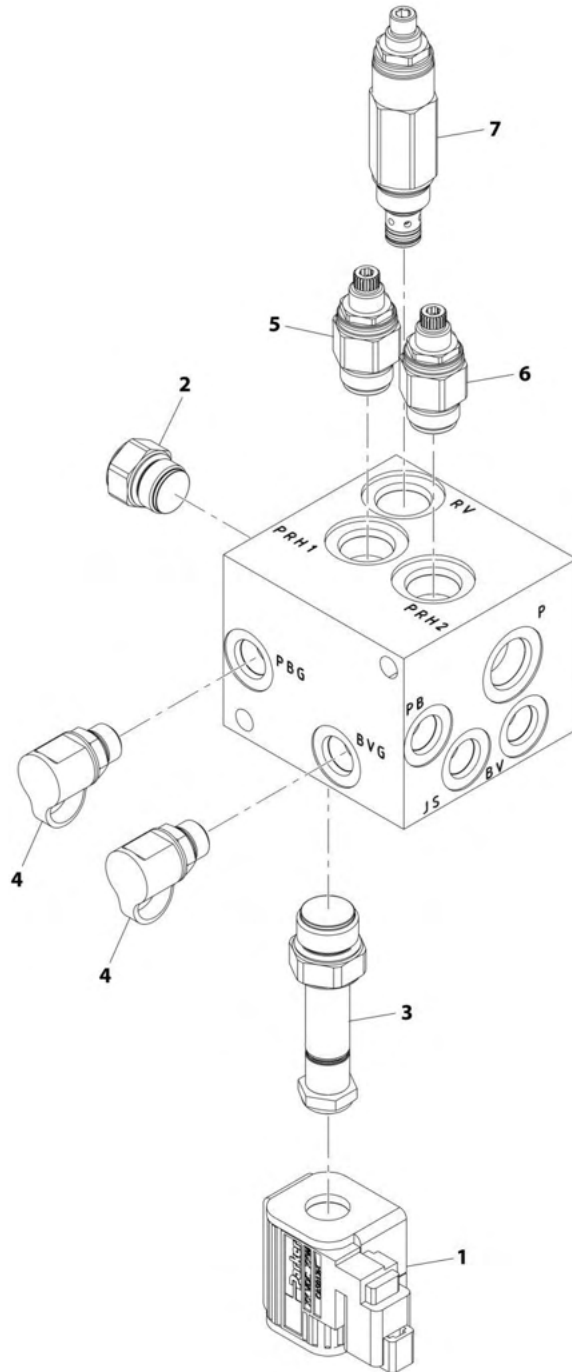
SECTION 9 - HYDRAULIC COMPONENTS

FIGURE 9-24. VALVE - BRAKE

ITEM	PART NUMBER	QTY	DESCRIPTION	REV
	1001201721	Ref	Brake Valve	D
1	70025859	1	Dust Cover	
2	70027275	1	Reservoir Joint	
3	70027276	1	Seal Kit	
4	70022650	1	Yoke	
5	70020743	1	Yoke Pin	
6	70020745	1	Pin, Cotter	

SECTION 9 - HYDRAULIC COMPONENTS

FIGURE 9-25. VALVE - FRAME SECONDARY CONTROL



ART_1001247045-C

SECTION 9 - HYDRAULIC COMPONENTS

FIGURE 9-25. VALVE - FRAME SECONDARY CONTROL

ITEM	PART NUMBER	QTY	DESCRIPTION	REV
	1001247045	Ref	Secondary Control Valve	C
1	70026085	1	Coil	
2	70029821	1	Check Valve	
	7010769	1	Seal Kit	
3	70026087	1	Valve, Solenoid	
	8032695	1	Seal Kit	
4	See Note	NSS	Fitting (Note: Purchase Complete Assembly)	
6	70029584	2	Valve, Pressure Relief	
	8032694	1	Seal Kit	
7	70029523	1	Valve Assembly	
	70029522	1	Seal Kit	

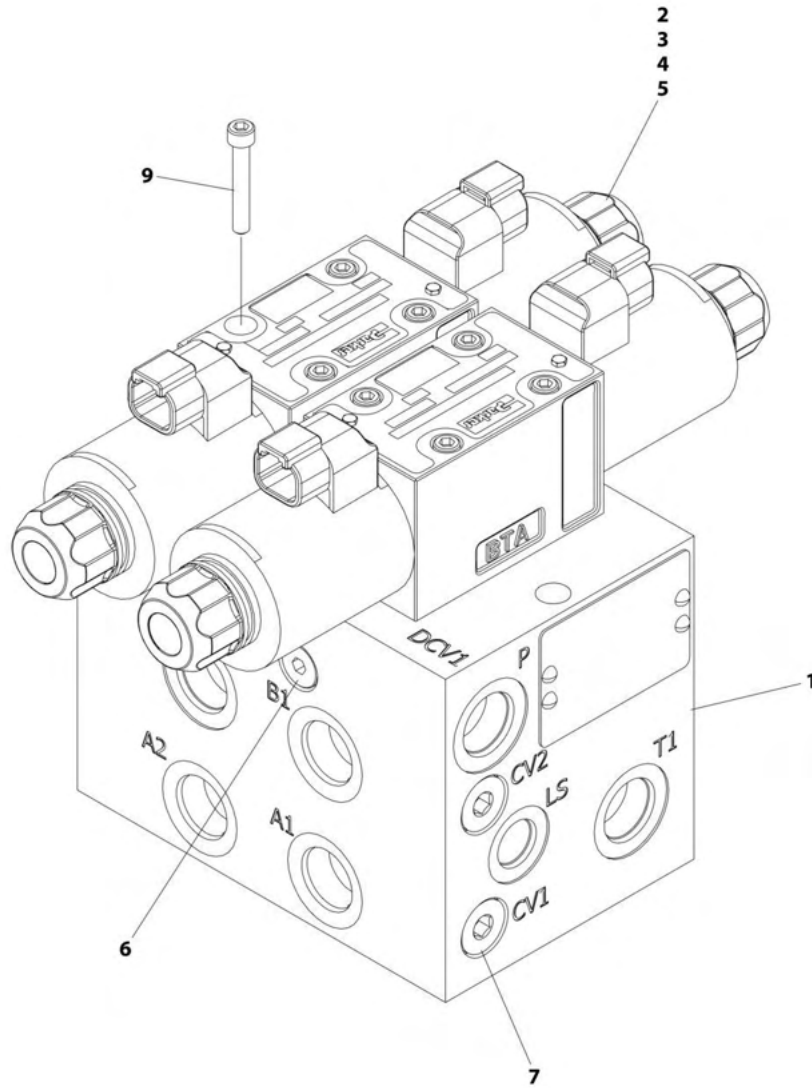
SECTION 9 - HYDRAULIC COMPONENTS

FIGURE 9-26. VALVE - MAIN CONTROL

ITEM	PART NUMBER	QTY	DESCRIPTION	REV
	1001242925	Ref	MAIN CONTROL VALVE	F
1	70030023	1	Inlet Section Assembly	
2	70030001	1	Lift Section Assembly	
3	70030002	1	Extend/Retract Section Assembly	
4	70030003	1	Aux Section Assembly	
5	70030004	1	Sway Section Assembly	
6	70030005	1	Tilt Section Assembly	
7	70030006	1	Outlet Section Assembly	
8	8034697	6	O-Ring	
9	70030007	12	O-Ring	
10	8903015	5	Poppet CV	
11	70030012	5	Spring	
12	70030038	3	Tie Rod	
13	70030039	6	Washer	
14	8035347	6	Nut	
15	70030009	1	Poppet, CV	
16	70030010	1	Spring	
17	70030040	1	O-Ring	
18	70030011	1	Plug	
19	70026370	1	O-Ring	
20	70026376	1	Back-Up Ring	
21	10837928	1	O-Ring	
22	70030041	1	Drain Regulator Assembly	
23	70030008	1	Spring	
24	70026652	3	O-Ring	
25	70026653	3	Plug	
26	70030013	6	O-Ring	
27	70030015	2	Spool Cap	
28	70030014	2	Spool Cap	
29	70030016	12	Screw	
30	8037109	2	O-Ring	
31	70030018	2	Wiper	
32	70030017	2	Sealing Plate	
33	70030019	2	Cap Spool	
34	70026133	8	Screw	
35	70030021	1	Spool Cap	
36	70030020	1	Spool Cap	
37	70029874	2	Solenoid-Cartridge Valve	
38	70022014	4	Screw	
39	70024202	1	O-Ring	
40	8035382	1	Plug Assembly	
41	70030022	1	Relief Valve Assembly, LS	
42	70027134	2	Relief Valve Assembly	
43	70025982	2	Relief Valve Assembly	
44	70022008	2	Shut-Off Plug Assembly	

SECTION 9 - HYDRAULIC COMPONENTS

FIGURE 9-27. VALVE - OUTRIGGER



ART_1001247857

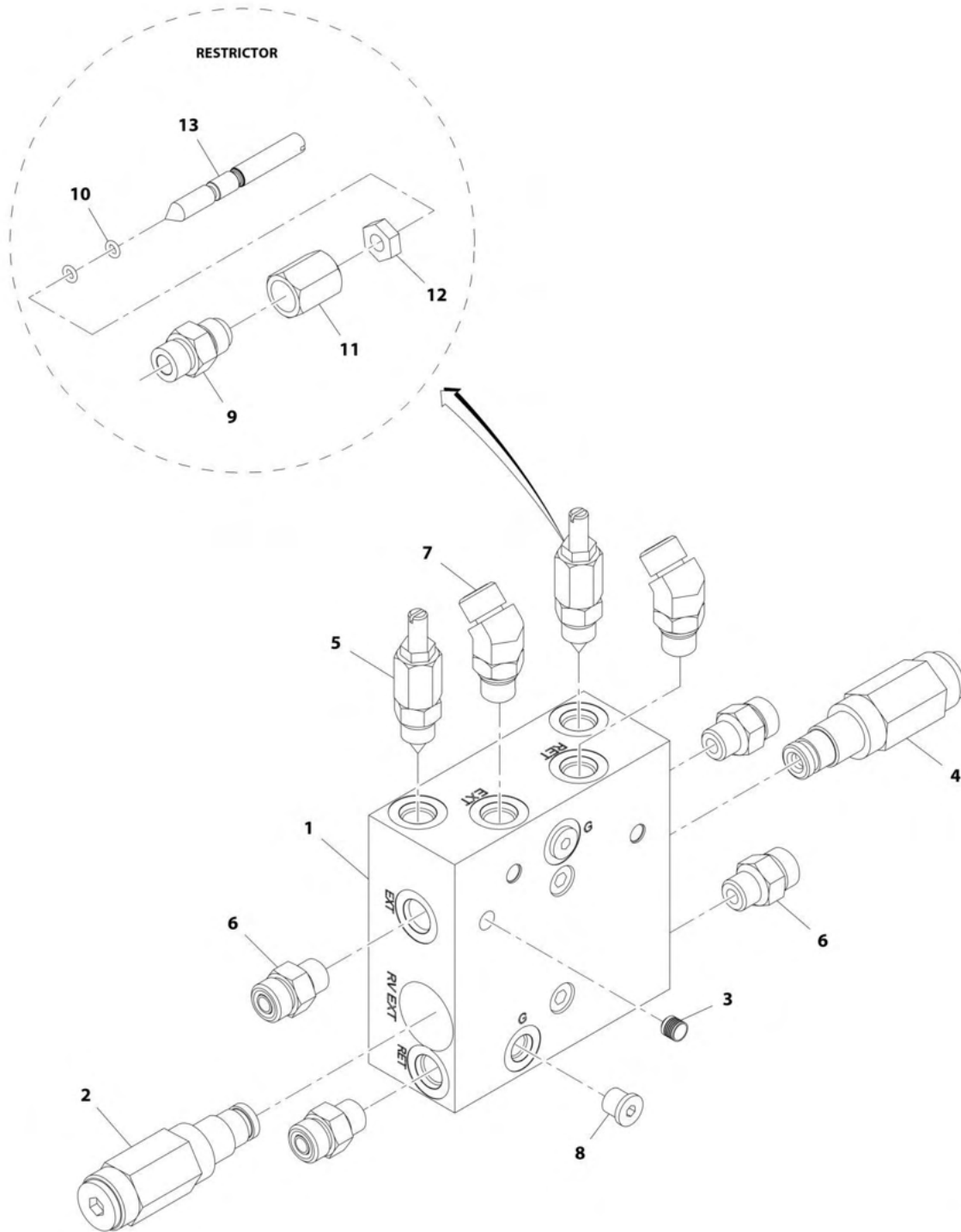
SECTION 9 - HYDRAULIC COMPONENTS

FIGURE 9-27. VALVE - OUTRIGGER

ITEM	PART NUMBER	QTY	DESCRIPTION	REV
	1001247857	Ref	OUTRIGGER VALVE	A
1	See Note	NSS	Manifold	
2	70026564	2	Directional Control Valve	
3	70023506	4	Ball Bearing	
4	70023507	4	Spring	
5	70023508	4	Retainer	
6	2220883	5	Plug #4	
7	2220885	6	Plug #6	
8	91474028	2	Expander Plug (Not Shown)	
9	70029798	8	Capscrew	

SECTION 9 - HYDRAULIC COMPONENTS

FIGURE 9-28. VALVE - PIPE GRAPPLE



ART_70026589

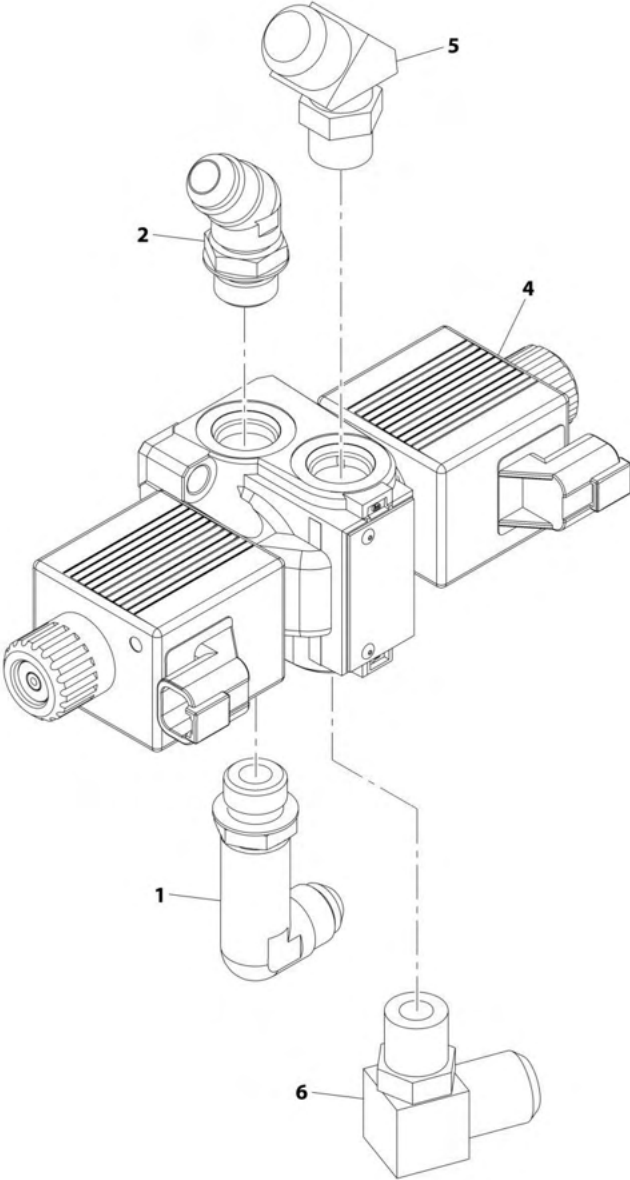
SECTION 9 - HYDRAULIC COMPONENTS

FIGURE 9-28. VALVE - PIPE GRAPPLE

ITEM	PART NUMBER	QTY	DESCRIPTION	REV
	70026589	Ref	Valve Assembly	
1	70026612	NLA	Manifold (Purchase Complete Assembly)	
2	70026613	1	Cartridge	
3	70026614	4	Plug	
4	70026478	1	Cartridge	
5	70026615	2	Restrictor	
6	70024130	4	Fitting	
7	70026616	2	Fitting	
8	70024129	2	Plug	
9	70026617	1	Fitting	
10	70026618	2	O-Ring	
11	70026619	1	Cap	
12	70026620	1	Jam Nut	
13	70026621	1	Plunger	

SECTION 9 - HYDRAULIC COMPONENTS

FIGURE 9-29. VALVE AND FITTING SUB-ASSEMBLY - STEERING SELECT



ART_1001172784-F

SECTION 9 - HYDRAULIC COMPONENTS

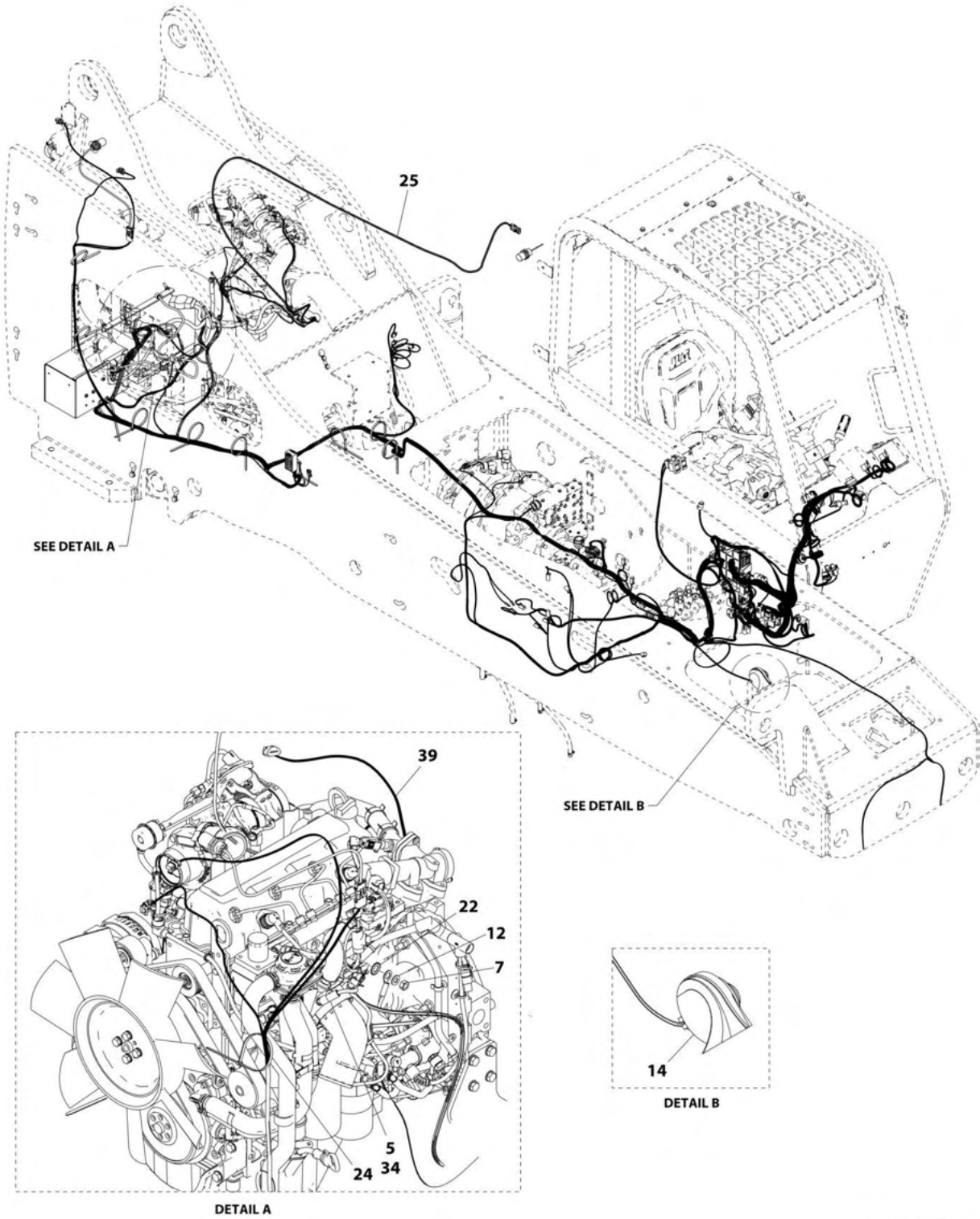
FIGURE 9-29. VALVE AND FITTING SUB-ASSEMBLY - STEERING SELECT

ITEM	PART NUMBER	QTY	DESCRIPTION	REV
	1001172784	Ref	Steer Select Valve Assembly	F
1	2220474	1	Adapter, Long 90	
2	2220500	1	Adapter, 45	
4	1001153748	1	Valve, Steer Select	
4	70020867	2	Coil Nut/Seal Kit	
4	70026582	2	Coil	
5	2220950	1	Adapter, 45	
6	2221042	1	Adapter, 90	

SECTION 10 - ELECTRICAL

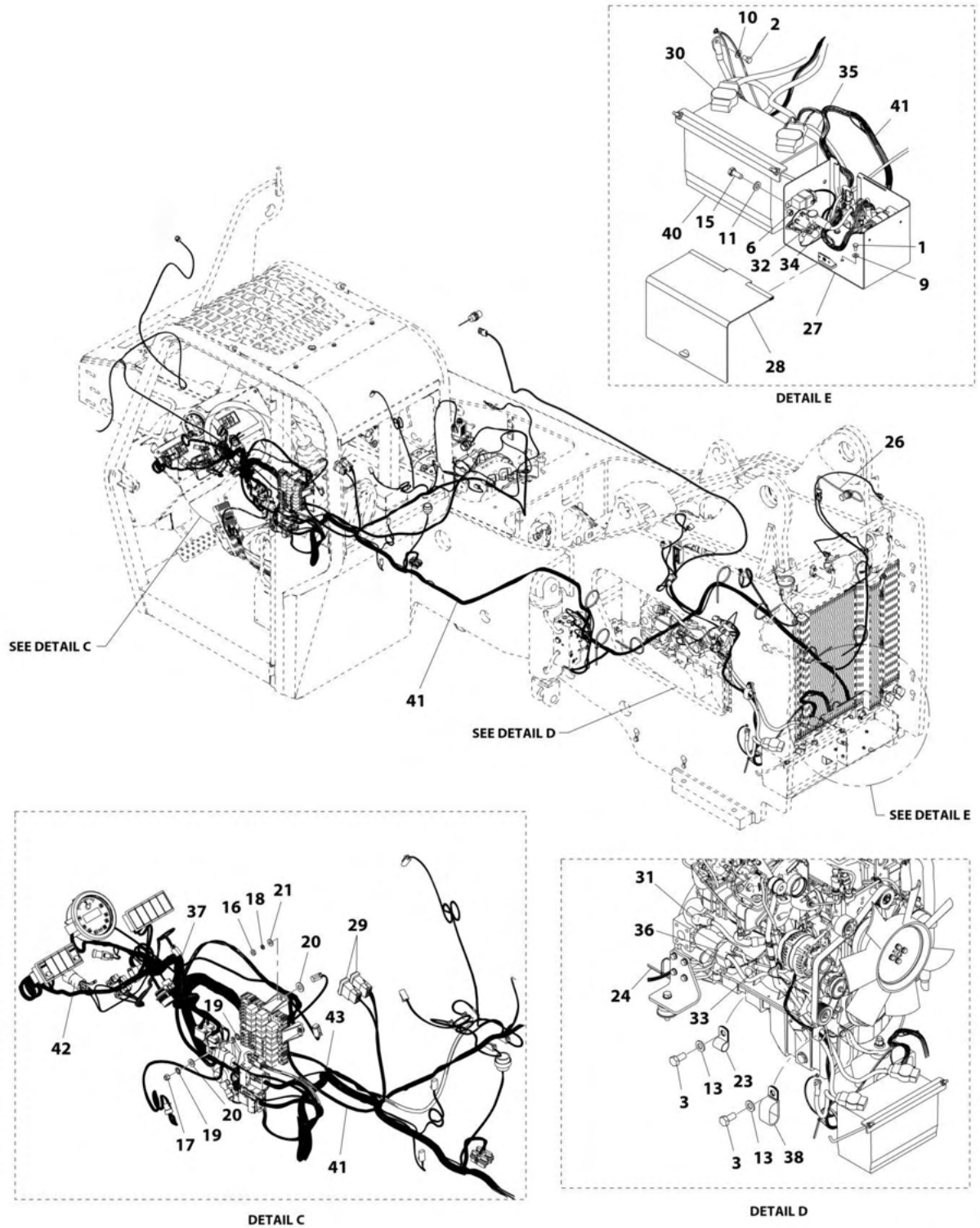
SECTION 10 - ELECTRICAL

FIGURE 10-1. ELECTRICAL INSTALLATION (74HP ULS)



ART_1001252321_1-B

SECTION 10 - ELECTRICAL



ART_1001252321_2-B

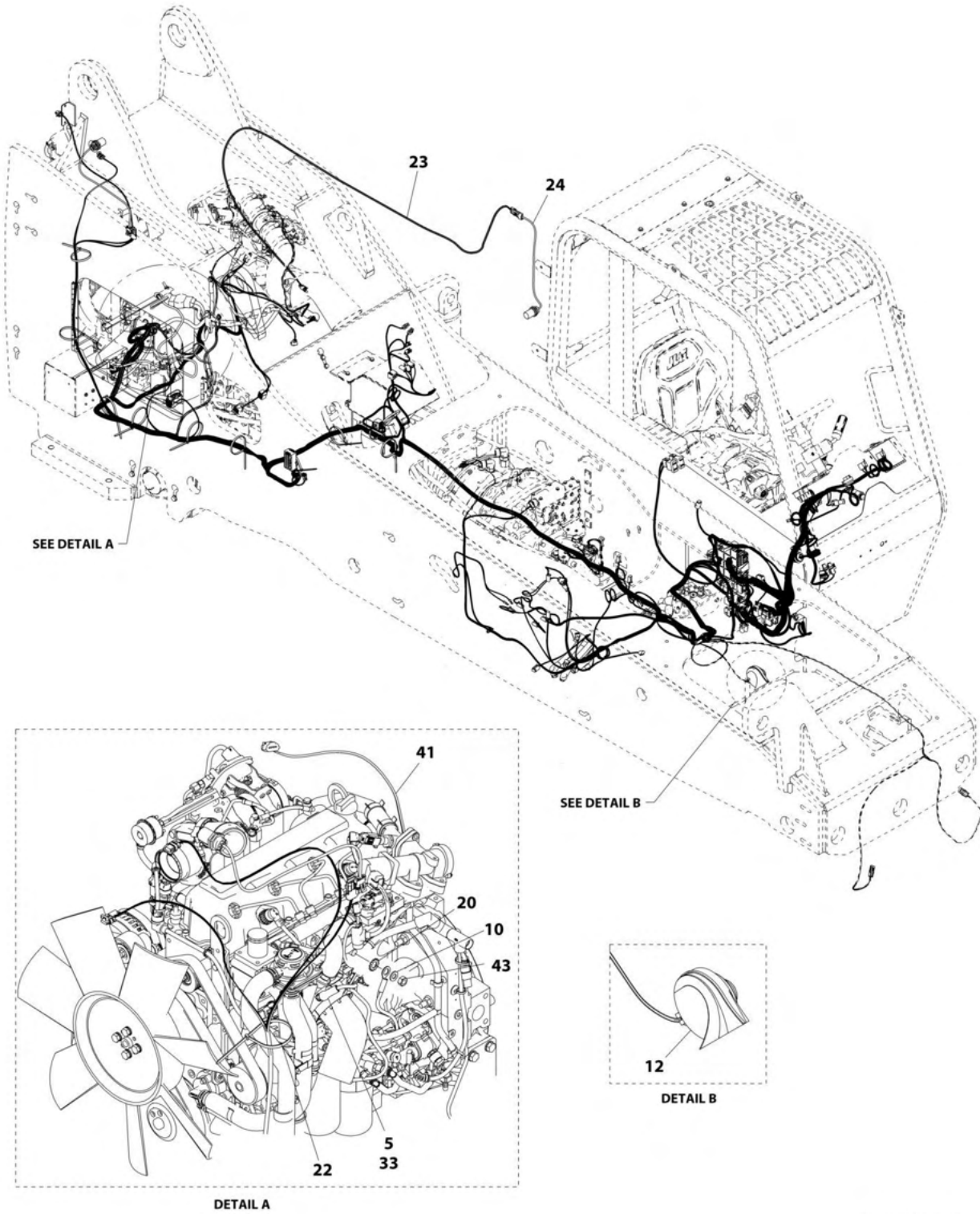
SECTION 10 - ELECTRICAL

FIGURE 10-1. ELECTRICAL INSTALLATION (74HP ULS)

ITEM	PART NUMBER	QTY	DESCRIPTION	REV
	1001252321	Ref	Electrical Installation (74HP) (ULS)	B
1	0641404	3	Bolt 1/4X1/2	
2	0641605	1	Bolt 3/8X5/8	
3	0761212	2	Bolt M12X25	
5	3290601	1	Nut M6	
6	3290605	1	Nut M6	
7	3290801	1	Nut M8	
9	4711400	3	Washer 1/4	
10	4711600	1	Washer 3/8	
11	4811702	1	Washer M6	
12	4811900	1	Washer, M8	
13	4812100	2	Washer M12	
14	8270620	1	Horn, Signal	
15	8303545	1	Bolt M6X14	
16	8305002	4	Nut #10	
17	8305624	2	Nut 1/4	
18	8307003	4	Washer M10	
19	8307027	4	Washer 5/16	
20	8307106	6	Washer 5/16	
21	8307111	4	Washer M10	
22	8310046	1	Washer M10	
23	8406105	1	Clip, Tube	
24	8584001	13	Wrap, Tie	
25	1001127226	1	Harness, Boom Extend (See Separate Breakdown in this Section)	
26	1001130307	2	Sensor, Boom	
27	1001170233	1	Installation, Relay Panel (See Separate Breakdown in this Section)	
28	1001170234	1	Assembly, Relay Panel Cover (See Separate Breakdown in this Section)	
29	1001170269	2	Switch, Outtrigger	
30	1001171234	1	Cable, Battery Negative	
31	1001171236	1	Cable, Starter Ground	
32	1001171237	1	Cable, Grid Heater to Fuse Power	
33	1001171238	1	Cable, Alternator Power	
34	1001171239	1	Cable, Grid Heater Power	
35	1001171633	1	Cable, Buss Power	
36	1001171757	1	Cable, Starter Power	
37	1001178285	1	Harness, Cab Power Distribution (See Separate Breakdown in this Section)	
38	1001181899	1	Clamp	
39	1001184835	1	Harness, TBAP (See Separate Breakdown in this Section)	
40	1001186841	1	Installation, Battery (See Separate Breakdown in this Section)	
41	1001199889	1	Engine Harness (See Separate Breakdown in this Section)	
42	1001250700	1	Switch, Pressure	
43	1001251503	1	Harness, Logic (See Separate Breakdown in this Section)	

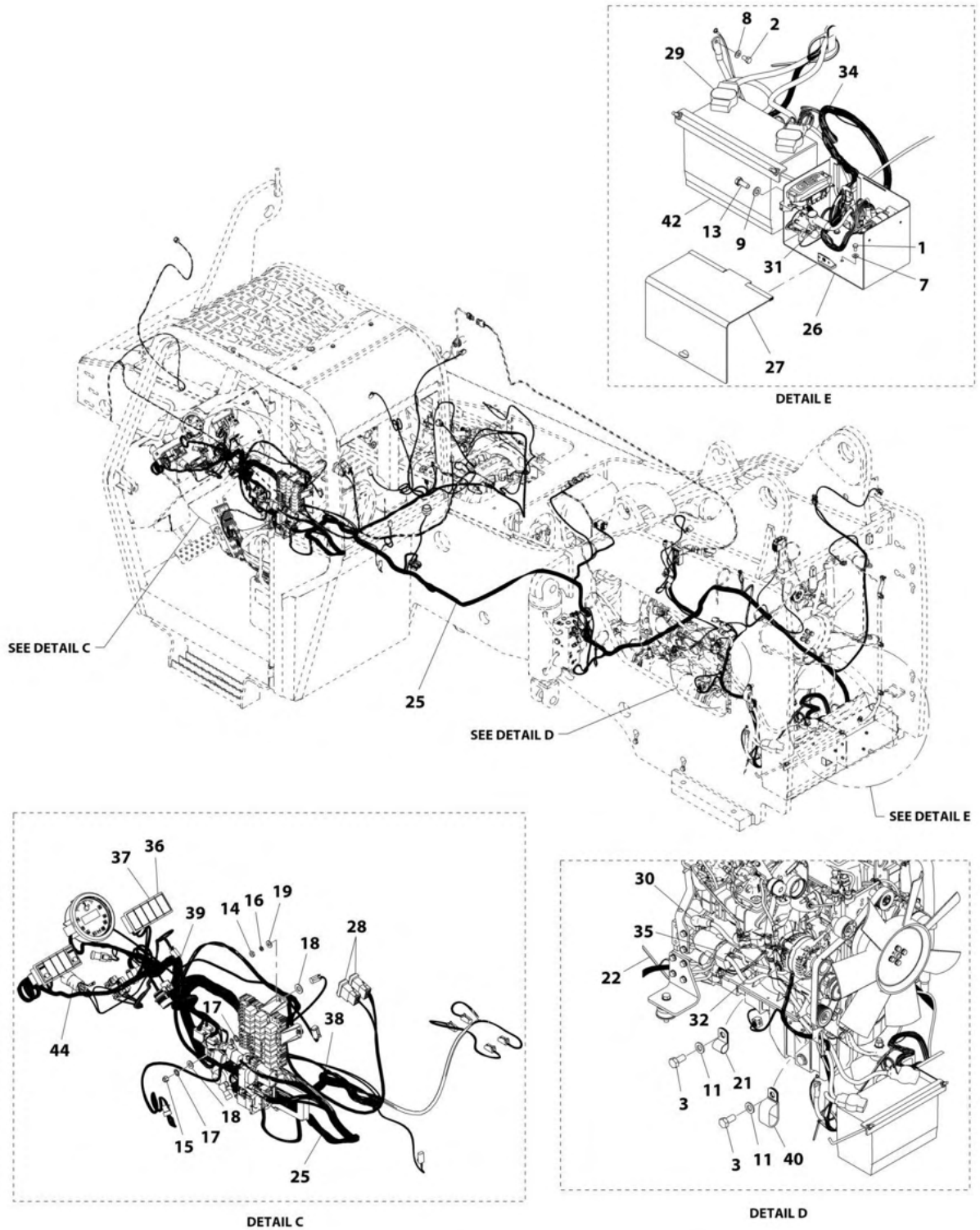
SECTION 10 - ELECTRICAL

FIGURE 10-2. ELECTRICAL INSTALLATION (130HP ULS)



ART_1001252320_1-B

SECTION 10 - ELECTRICAL



ART_1001252320_2-B

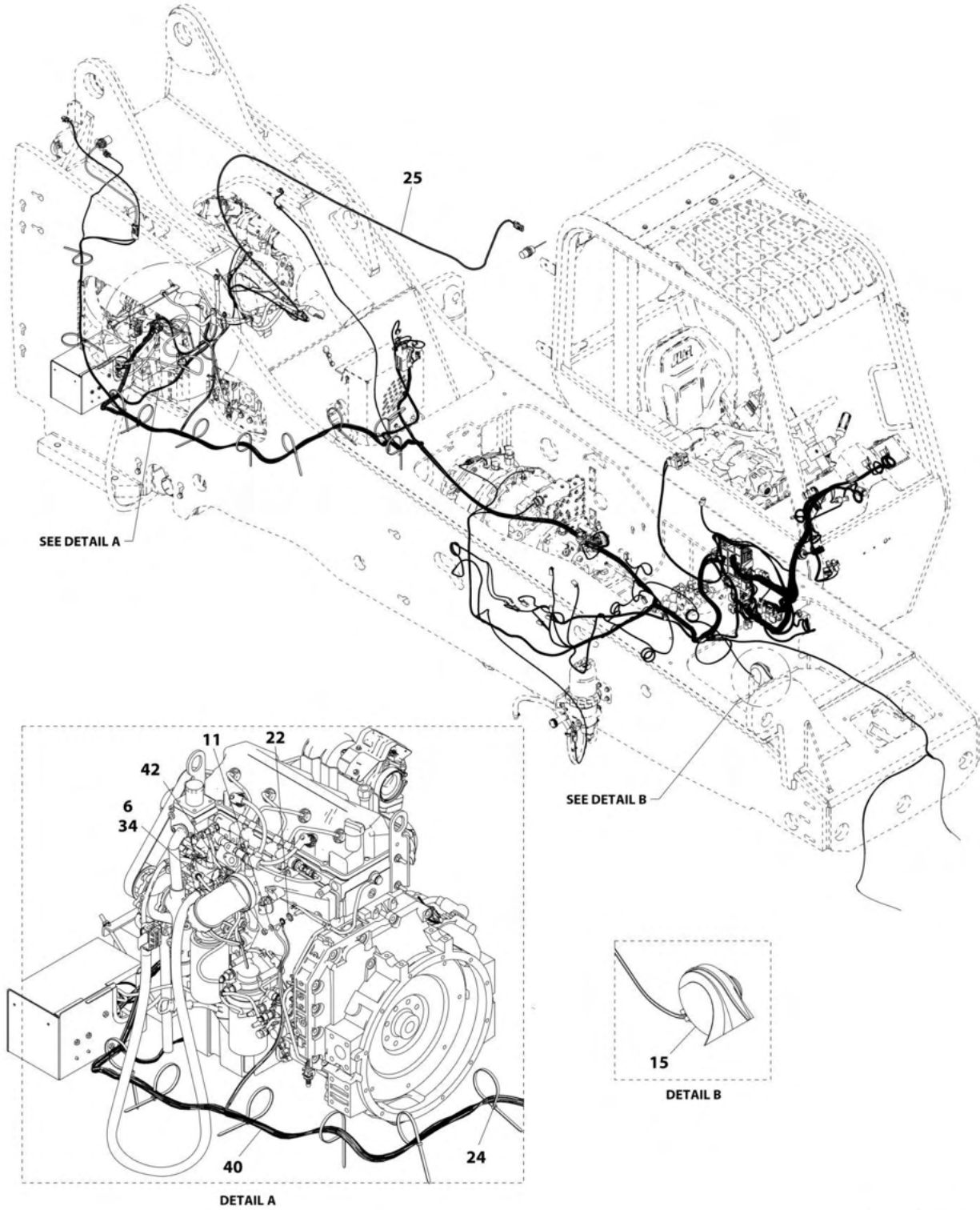
SECTION 10 - ELECTRICAL

FIGURE 10-2. ELECTRICAL INSTALLATION (130HP ULS)

ITEM	PART NUMBER	QTY	DESCRIPTION	REV
	1001252320	Ref	Electrical Installation (ULS)	B
1	0641404	3	Bolt 1/4X1/2	
2	0641605	1	Bolt 3/8X5/8	
3	0761212	2	Bolt M12X25	
5	3290601	1	Nut M6X1	
7	4711400	3	Washer 1/4	
8	4711600	1	Washer 3/8	
9	4811700	2	Washer M6	
10	4811900	1	Washer, M8	
11	4812100	2	Washer, M12	
12	8270620	1	Horn, Signal	
13	8303545	2	Bolt M6X14	
14	8305002	4	Nut #10	
15	8305624	2	Nut 1/4	
16	8307003	4	Washer M10	
17	8307027	4	Washer 5/16	
18	8307106	6	Washer 5/16	
19	8307111	4	Washer M10	
20	8310046	1	Washer M10	
21	8406105	1	Clip, Tube	
22	8584001	14	Wrap, Tie	
23	1001127226	1	Boom Extend Harness (See Separate Breakdown in this Section)	
24	1001130307	2	Sensor, Boom	
25	1001169620	1	Harness, Engine (See Separate Breakdown in this Section)	
26	1001170233	1	Installation, Relay Panel (See Separate Breakdown in this Section)	
27	1001170234	1	Assembly, Relay Panel Cover (See Separate Breakdown in this Section)	
28	1001170269	2	Switch, Outrigger	
29	1001171234	1	Cable, Battery Negative	
30	1001171236	1	Cable, Starter Ground	
31	1001171237	1	Cable, Grid Heater to Fuse Power	
32	1001171238	1	Cable, Alternator Power	
33	1001171239	1	Cable, Grid Heater Power	
34	1001171633	1	Cable, Buss Power	
35	1001171757	1	Cable, Starter Power	
36	1001172135	1	Indicator, Engine	
37	1001172136	1	Indicator, Hest	
38	1001251503	1	Logic Harness (See Separate Breakdown in this Section)	
39	1001178285	1	Harness, Cab Power Distribution (See Separate Breakdown in this Section)	
40	1001181899	1	Clamp	
41	1001184835	1	Harness, TBAP (See Separate Breakdown in this Section)	
42	1001186841	1	Installation, Battery (See Separate Breakdown in this Section)	
43	3290801	1	Nut M8	
44	1001250700	1	Switch, Pressure	

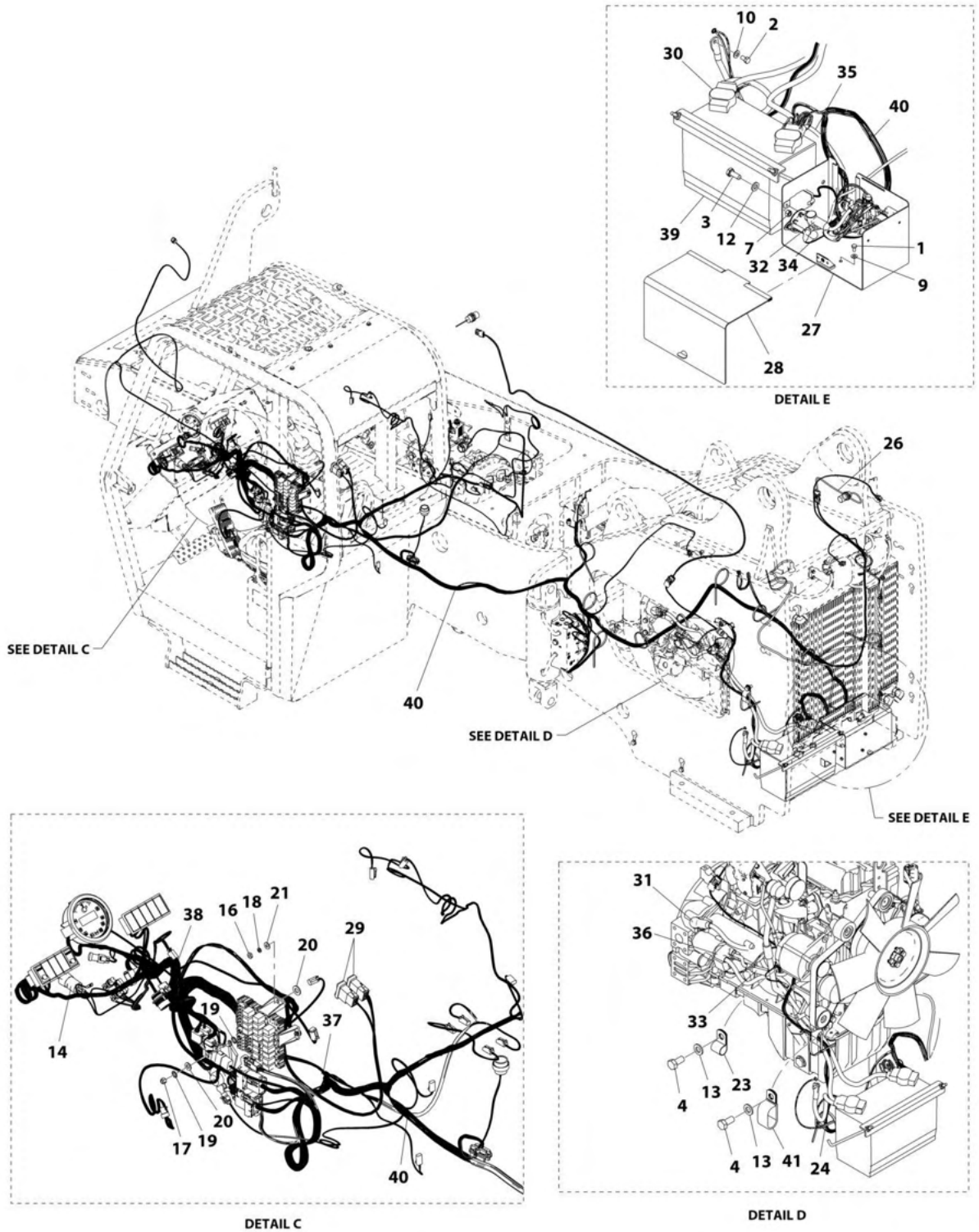
SECTION 10 - ELECTRICAL

FIGURE 10-3. ELECTRICAL INSTALLATION (130HP LS)



ART_1001252322_1-B

SECTION 10 - ELECTRICAL



ART_1001252322_2-B

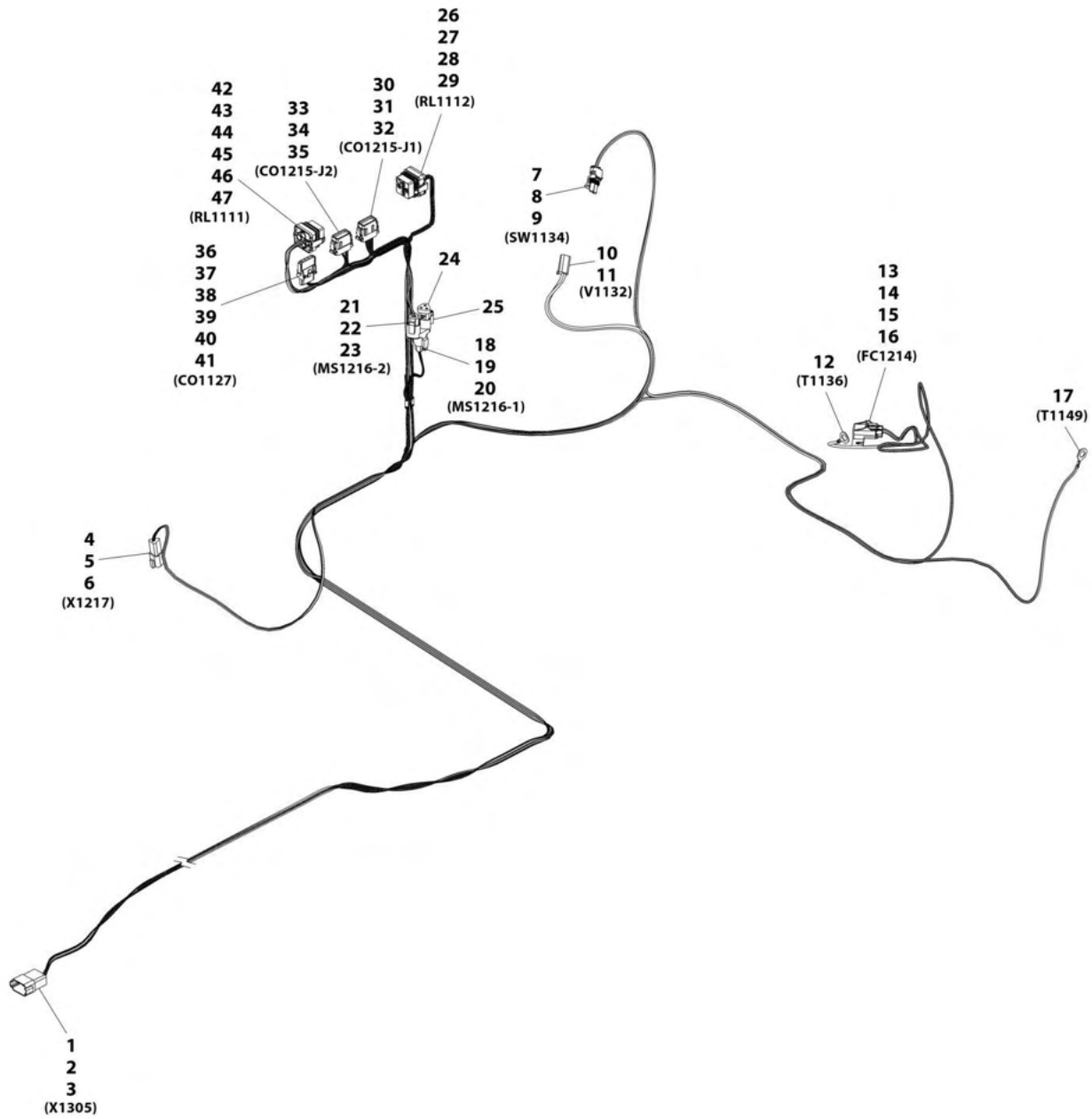
SECTION 10 - ELECTRICAL

FIGURE 10-3. ELECTRICAL INSTALLATION (130HP LS)

ITEM	PART NUMBER	QTY	DESCRIPTION	REV
	1001252322	Ref	Electrical Installation (LS)	B
1	0641404	3	Bolt 1/4X1/2	
2	0641605	1	Bolt 3/8X5/8	
3	8303545	1	Bolt M6X14	
4	0761212	2	Bolt, M12X25	
6	3290601	1	Nut M6	
7	3290605	1	Nut M6	
9	4711400	3	Washer 1/4	
10	4711600	1	Washer 3/8	
11	4811900	1	Washer M8	
12	4811702	1	Washer, M6	
13	4812100	2	Washer M12	
14	1001250700	1	Switch, Pressure	
15	8270620	1	Horn, Signal	
16	8305002	4	Nut #10	
17	8305624	2	Nut 1/4	
18	8307003	4	Washer M10	
19	8307027	4	Washer 5/16	
20	8307106	6	Washer 5/16	
21	8307111	4	Washer M10	
22	8310046	1	Washer M10	
23	8406105	1	Clip, Tube	
24	8584001	14	Wrap, Tie	
25	1001127226	1	Harness, Boom Extend (See Separate Breakdown in this Section)	
26	1001130307	2	Sensor, Boom	
27	1001170233	1	Installation, Relay Panel (See Separate Breakdown in this Section)	
28	1001170234	1	Assembly, Relay Panel Cover (See Separate Breakdown in this Section)	
29	1001170269	2	Switch, Outtrigger	
30	1001171234	1	Cable, Battery Negative	
31	1001171236	1	Cable, Starter Ground	
32	1001171237	1	Cable, Grid Heater to Fuse Power	
33	1001171238	1	Cable, Alternator Power	
34	1001171239	1	Cable, Grid Heater Power	
35	1001171633	1	Cable, Buss Power	
36	1001171757	1	Cable, Starter Power	
37	1001251503	1	Harness, Logic (See Separate Breakdown in this Section)	
38	1001178285	1	Harness, Cab Power Distribution (See Separate Breakdown in this Section)	
39	1001186841	1	Installation, Battery (See Separate Breakdown in this Section)	
40	1001189488	1	Engine Harness (See Separate Breakdown in this Section)	
41	1001181899	1	Clamp	
42	3290801	1	Nut M8	

SECTION 10 - ELECTRICAL

FIGURE 10-4. AIR SHUT OFF VALVE ENGINE HARNESS



ART_1001216455

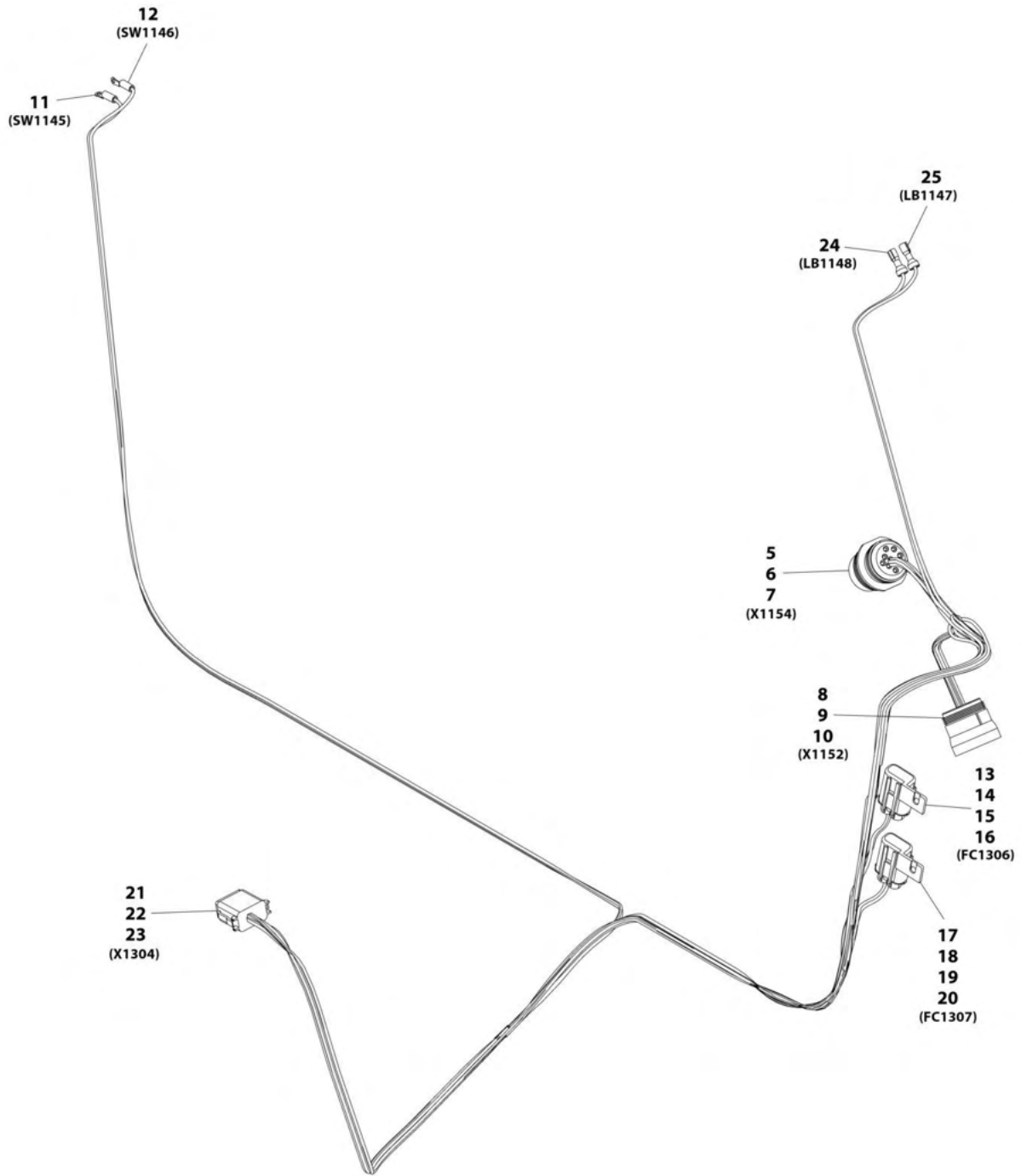
SECTION 10 - ELECTRICAL

FIGURE 10-4. AIR SHUT OFF VALVE ENGINE HARNESS

ITEM	PART NUMBER	QTY	DESCRIPTION	REV
	1001216455	Ref	POSI Air Shut Off Valve T4F, Harness	F
1	4460931	1	Connector	
2	4460464	6	Terminal	
3	4460466	2	Plug	
4	1001144147	1	Connector	
5	4460464	2	Terminal	
6	4460466	1	Plug	
7	4460742	1	Connector	
8	4460475	2	Terminal	
9	4460458	2	Seal	
10	4460891	1	Connector	
11	1001157890	2	Terminal	
12	1001187078	1	Terminal, Ring	
13	1001231397	1	Connector	
14	8229235	1	Fuse 20A	
15	1001231401	2	Terminal	
16	1001230402	2	Seal	
17	1001187078	1	Connector	
18	1001116812	1	Connector	
19	4460465	2	Terminal	
20	4460466	1	Plug	
21	4460539	1	Connector	
22	4460465	2	Terminal	
23	4460466	1	Plug	
24	1001116815	1	Connector, 3 Pin	
25	4460945	1	Terminal, 3 Way "T" Receptacle	
26	1001231398	1	Connector	
27	1001231400	4	Terminal	
28	1001231406	1	Plug	
29	1001231404	4	Seal	
30	1001116808	1	Connector	
31	1001126008	9	Terminal	
32	4460518	3	Plug	
33	1001116774	1	Connector	
34	4460518	8	Plug	
35	1001126008	4	Terminal	
36	4460761	1	Connector	
37	4460321	1	Connector - 4 Position	
38	4460809	4	Plug	
39	1001118378	4	Terminal	
40	1001143551	1	Seal	
41	1001218358	1	Lanyard, Rope	
42	1001231398	1	Connector	
43	1001231401	2	Terminal	
44	1001231400	2	Terminal	
45	1001231406	1	Plug	
46	1001231402	2	Seal	
47	1001231404	2	Seal	

SECTION 10 - ELECTRICAL

FIGURE 10-5. AIR SHUT OFF VALVE CAB HARNESS



ART_1001231560-C

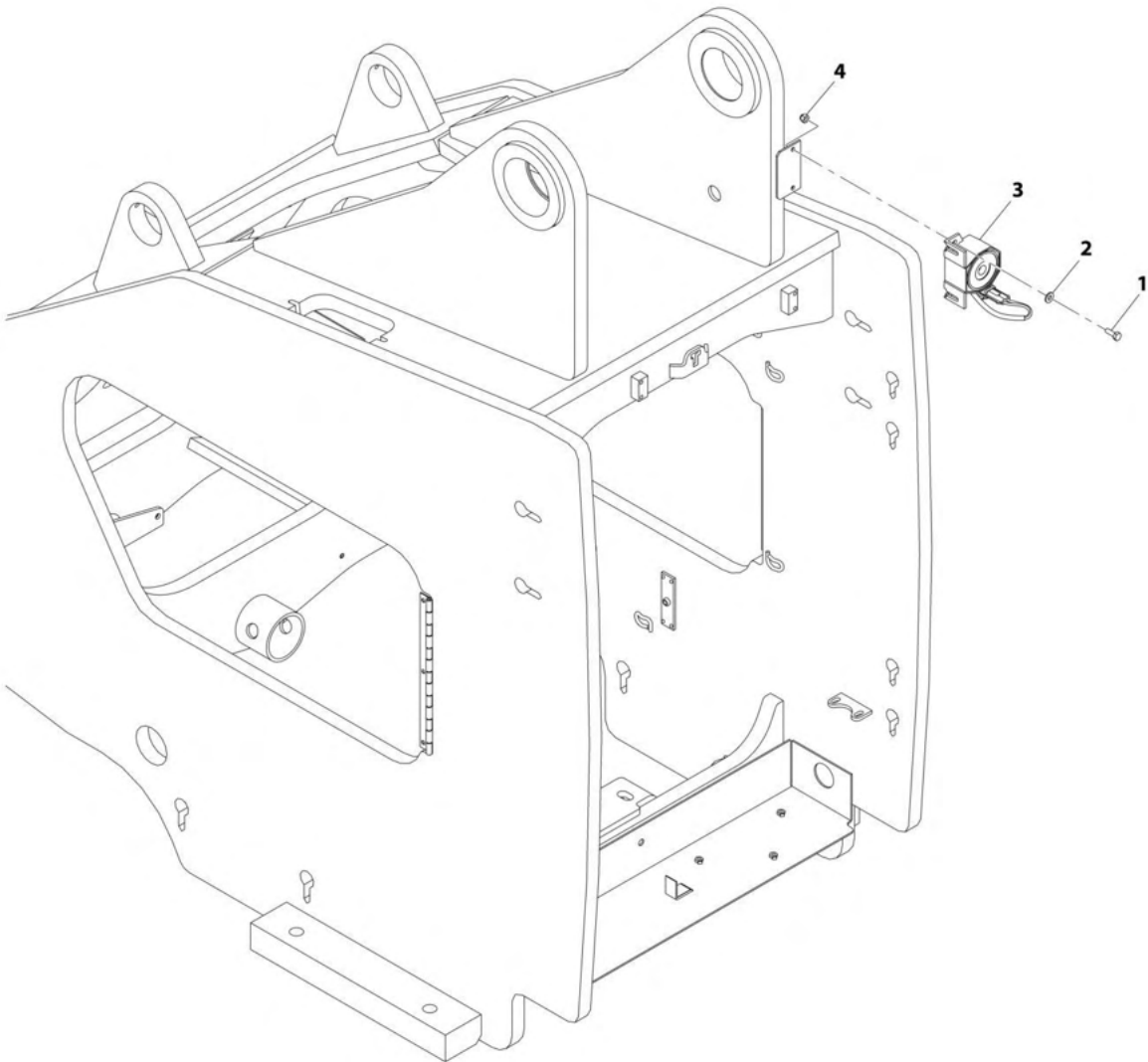
SECTION 10 - ELECTRICAL

FIGURE 10-5. AIR SHUT OFF VALVE CAB HARNESS

ITEM	PART NUMBER	QTY	DESCRIPTION	REV
	1001231560	Ref	POSI Air Shut Off Valve Cab, Harness	C
5	1001112612	1	Connector	
6	4460464	6	Terminal	
7	4460466	3	Plug	
8	1001116945	1	Connector	
9	4460465	6	Terminal	
10	4460466	3	Plug	
11	8220035	1	Terminal, Ring	
12	8220035	1	Terminal, Ring	
13	1001231397	1	Connector	
14	8229261	1	Fuse 5A	
15	1001231400	2	Terminal	
16	1001231404	2	Plug	
17	1001231397	1	Connector	
18	8229234	1	Fuse 10A	
19	1001231400	2	Terminal	
20	1001231404	2	Plug	
21	4460930	1	Connector	
22	4460465	6	Terminal	
23	4460466	2	Plug	
24	8220108	1	Connector	
25	8220108	1	Connector	

SECTION 10 - ELECTRICAL

FIGURE 10-6. ALARM INSTALLATION - BACK-UP



ART_1001206542-A

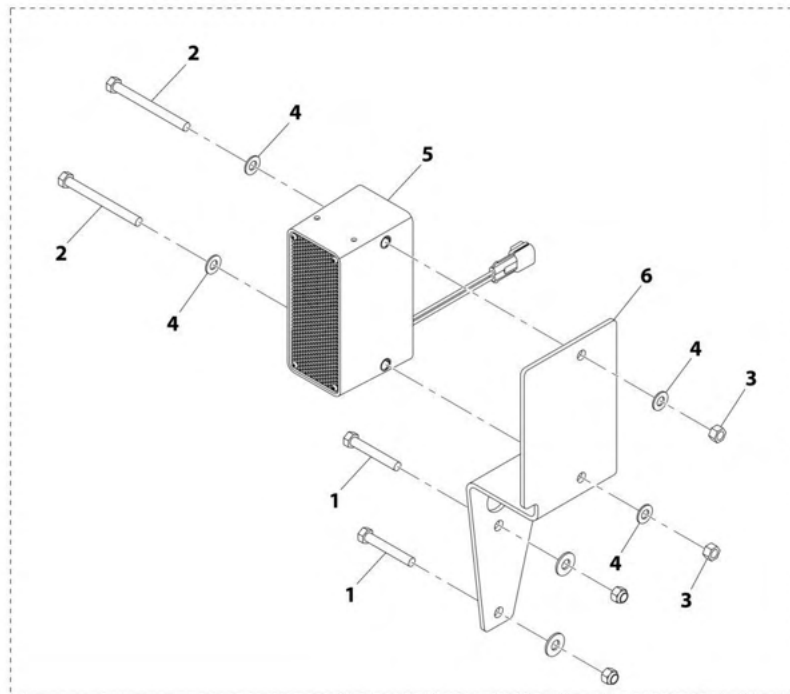
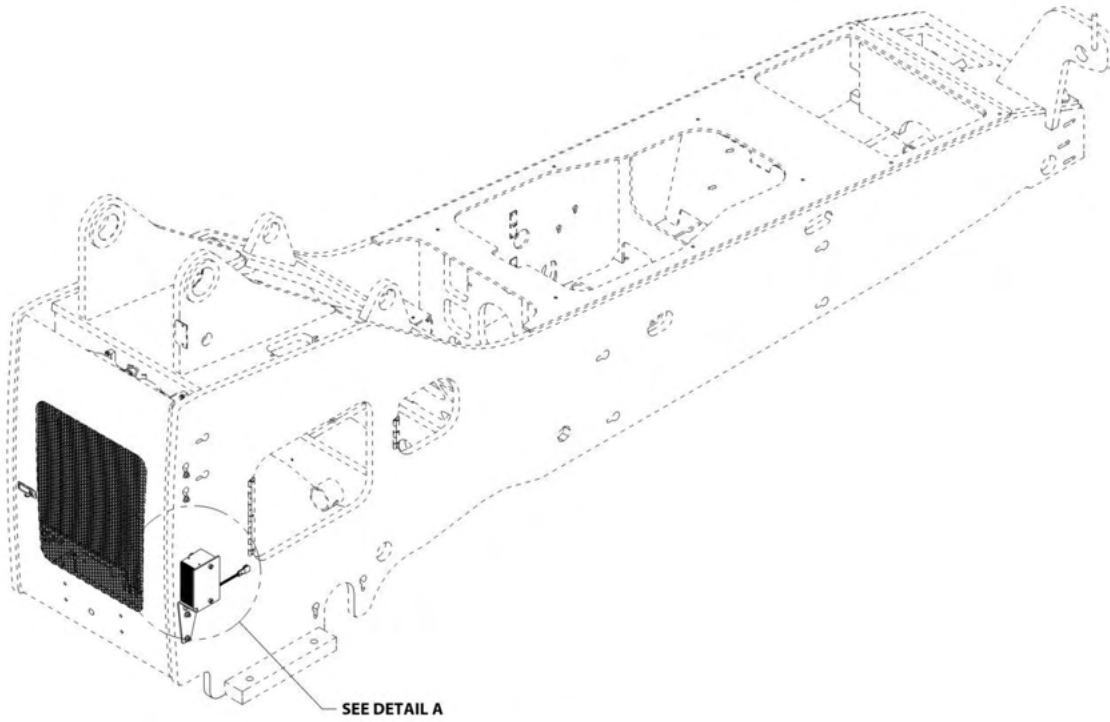
SECTION 10 - ELECTRICAL

FIGURE 10-6. ALARM INSTALLATION - BACK-UP

ITEM	PART NUMBER	QTY	DESCRIPTION	REV
	1001206542	Ref	Back-Up Alarm Installation	A
1	0641406	2	Bolt 1/4X3/4	
2	4711400	2	Washer 1/4	
3	8270621	1	Alarm, Back-Up	
4	8305624	2	Nut 1/4	

SECTION 10 - ELECTRICAL

FIGURE 10-7. ALARM INSTALLATION - BACK-UP (WHITE NOISE)



DETAIL A

ART_1001206543-A

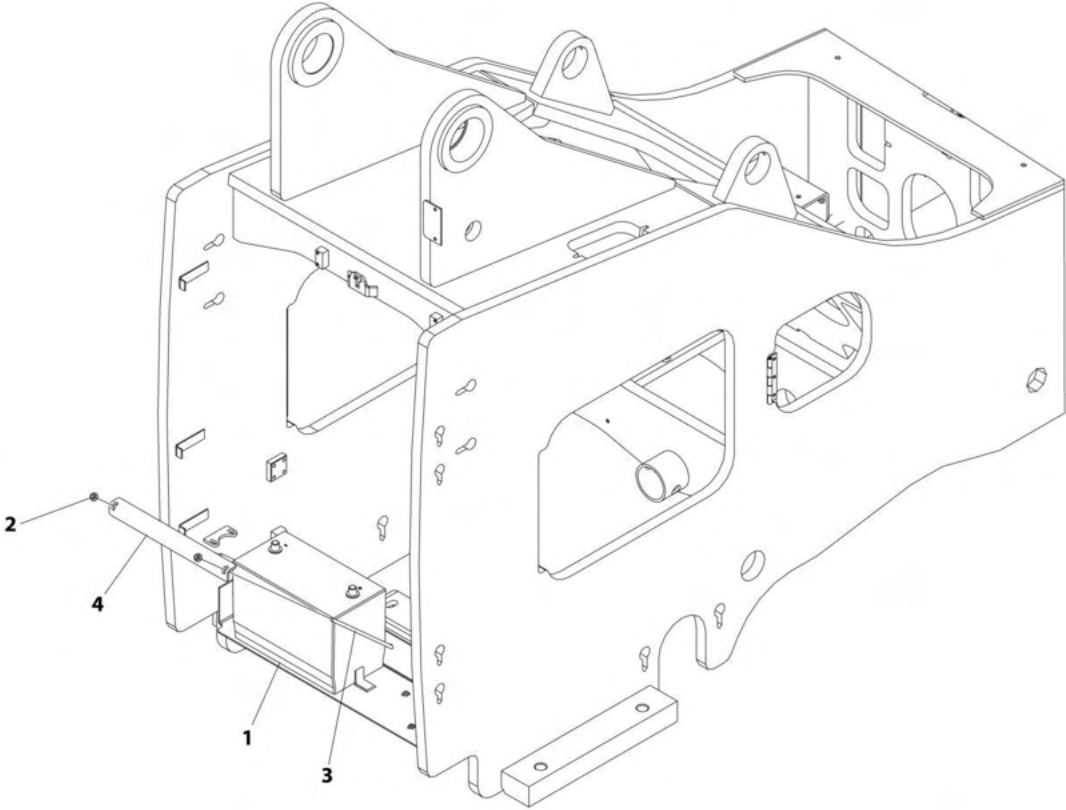
SECTION 10 - ELECTRICAL

FIGURE 10-7. ALARM INSTALLATION - BACK-UP (WHITE NOISE)

ITEM	PART NUMBER	QTY	DESCRIPTION	REV
	1001206543	Ref	Back-Up Alarm Installation (White Noise)	A
1	0641620	2	Bolt 3/82-1/2	
2	0641632	2	Bolt 3/8X4	
3	3311605	2	Nut 3/8	
4	4711600	4	Washer 3/8	
5	1001198728	1	Alarm	
6	1001213574	1	Bracket	

SECTION 10 - ELECTRICAL

FIGURE 10-8. BATTERY INSTALLATION



ART_1001186841

SECTION 10 - ELECTRICAL

FIGURE 10-8. BATTERY INSTALLATION

ITEM	PART NUMBER	QTY	DESCRIPTION	REV
	1001186841	Ref	Battery Installation	B
1	0400075	1	Battery, 12V	
2	77143006	2	Nut 5/16	
3	91081640	2	Bolt, Battery Hold Down	
4	1001258991	1	Plate, Battery Hold Down	

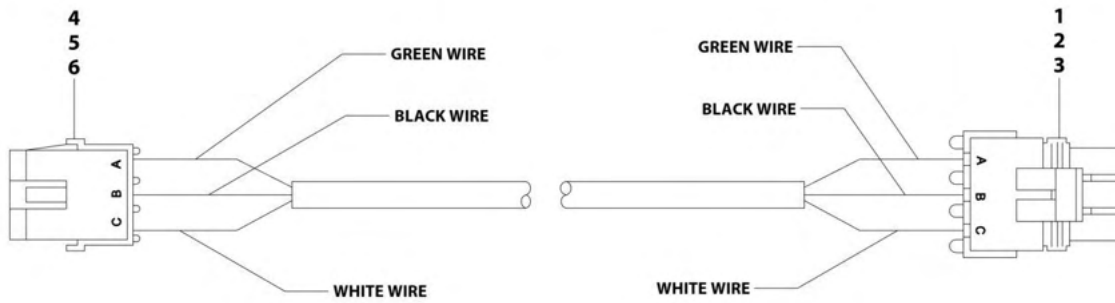
SECTION 10 - ELECTRICAL

FIGURE 10-9. BATTERY BLANKET INSTALLATION

ITEM	PART NUMBER	QTY	DESCRIPTION	REV
	1001234216	Ref	Battery Blanket Installation	A
1	1001093564	1	Battery Heater	
2	1001119278	1	Battery Insulate	
3	1060626	1	3 Way Plug	

SECTION 10 - ELECTRICAL

FIGURE 10-10. BOOM EXTEND HARNESS



ART_1001127226-C

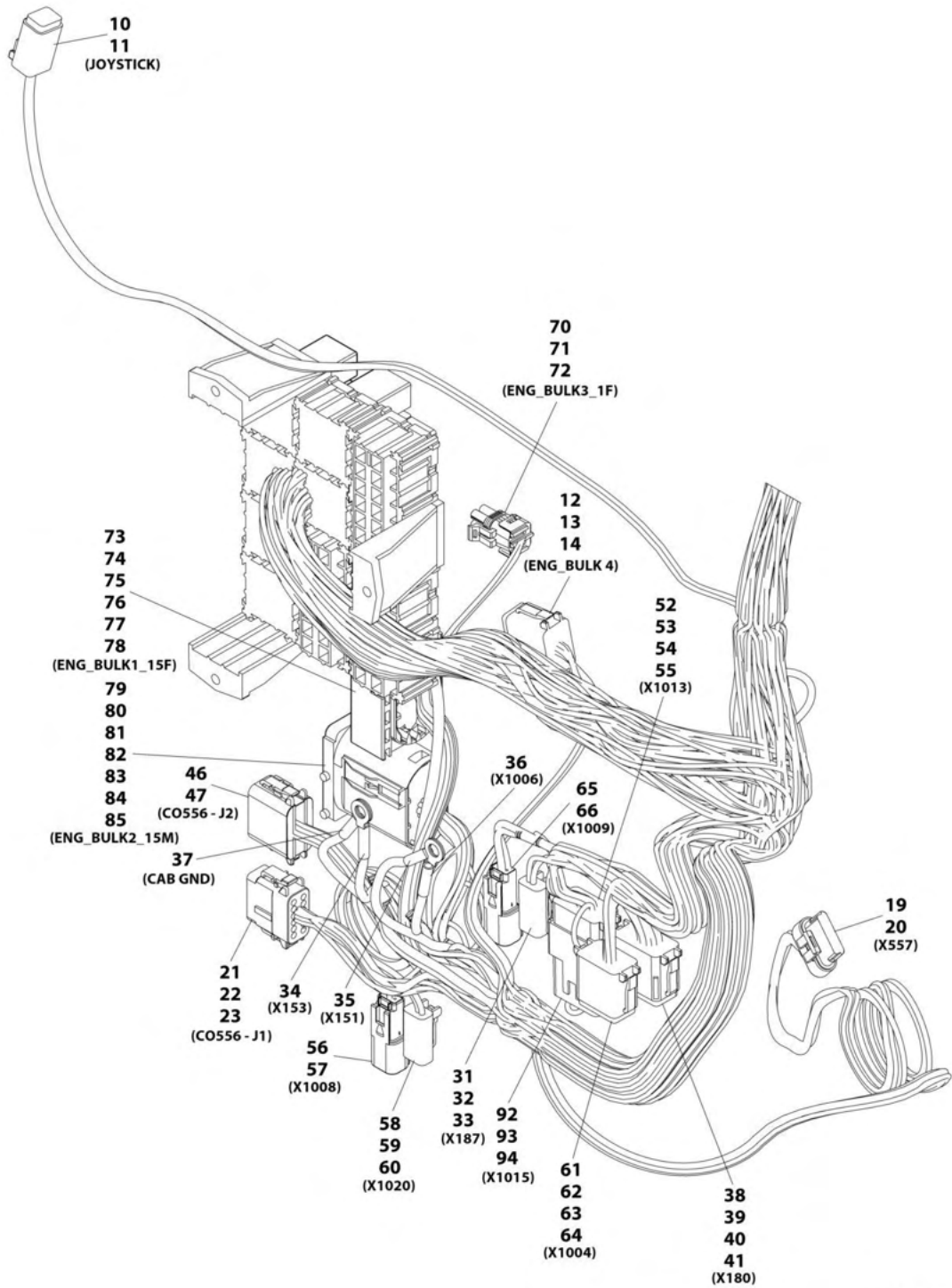
SECTION 10 - ELECTRICAL

FIGURE 10-10. BOOM EXTEND HARNESS

ITEM	PART NUMBER	QTY	DESCRIPTION	REV
	1001127226	Ref	Boom Extend Harness	C
1	4460459	1	Connector	
2	4460457	3	Terminal	
3	4460458	3	Seal	
4	4460476	1	Connector	
5	4460475	3	Terminal	
6	4460458	3	Seal	

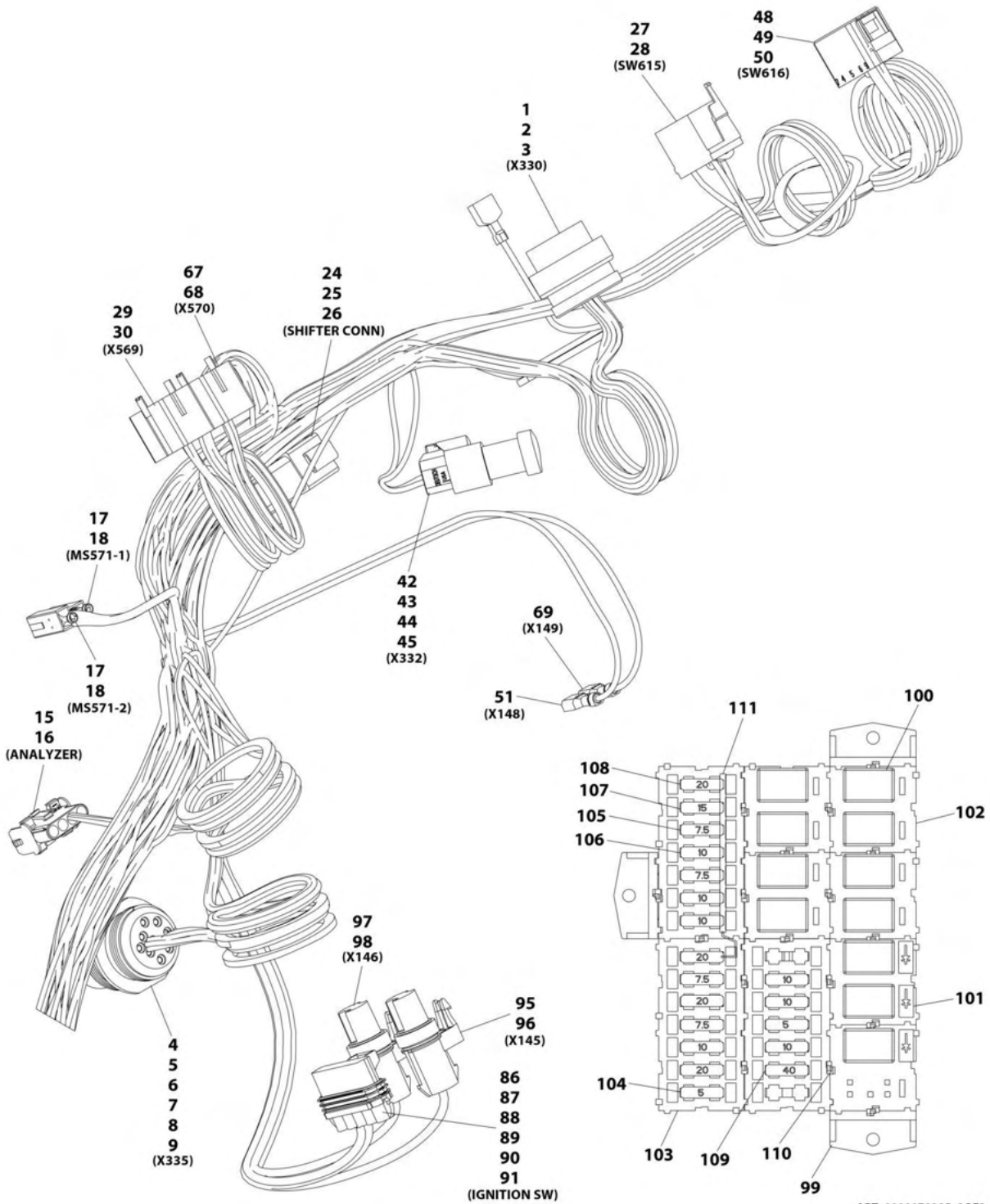
SECTION 10 - ELECTRICAL

FIGURE 10-11. CAB POWER DISTRIBUTION HARNESS



ART_1001178285_10F2

SECTION 10 - ELECTRICAL



ART_1001178285_20F2

SECTION 10 - ELECTRICAL

FIGURE 10-11. CAB POWER DISTRIBUTION HARNESS

ITEM	PART NUMBER	QTY	DESCRIPTION	REV
	1001178285	Ref	Cab Power Distribution Harness	O
1	4460872	1	Connector	
2	4460871	10	Terminal, Socket	
3	4460905	4	Plug, Seal	
4	1001112612	1	Connector	
5	1001149712	1	Cap	
6	1001125784	1	Lockwasher	
7	1001125785	1	Nut	
8	4460464	6	Terminal	
9	4460466	3	Plug	
10	4460884	1	Connector	
11	4460465	4	Terminal	
12	4460930	1	Connector	
13	4460465	6	Terminal	
14	4460466	2	Plug	
15	4460761	1	Connector	
16	1001118378	4	Terminal	
17	4460994	2	Connector	
18	1001200833	4	Terminal	
19	1001230931	1	Connector	
20	1001116748	6	Terminal	
21	1001116808	1	Connector	
22	1001126008	10	Terminal, Socket	
23	4460518	2	Terminal, Plug	
24	4460970	1	Connector	
25	4460464	9	Terminal	
26	4460466	3	Plug	
27	8220904	1	Connector	
28	4460419	6	Terminal	
29	1001117119	1	Connector	
30	1001159186	4	Terminal	
31	4460891	1	Connector	
32	1001157890	1	Terminal	
33	4460942	1	Terminal	
34	1001117106	1	Terminal, Ring	
35	1001117106	1	Terminal, Ring	
36	1001117106	1	Terminal, Ring	
37	1001117106	1	Terminal, Ring	
38	4460836	1	Connector	
39	4460509	5	Terminal, Socket	
40	4460465	6	Terminal	
41	4460466	1	Plug	
42	1001116812	1	Connector	
43	4461070	1	Connector	
44	4460465	2	Terminal	
45	4460466	1	Plug	
46	1001116774	1	Connector	
47	1001126008	12	Terminal, Socket	
48	8220904	1	Connector	
49	4460419	8	Terminal	

SECTION 10 - ELECTRICAL

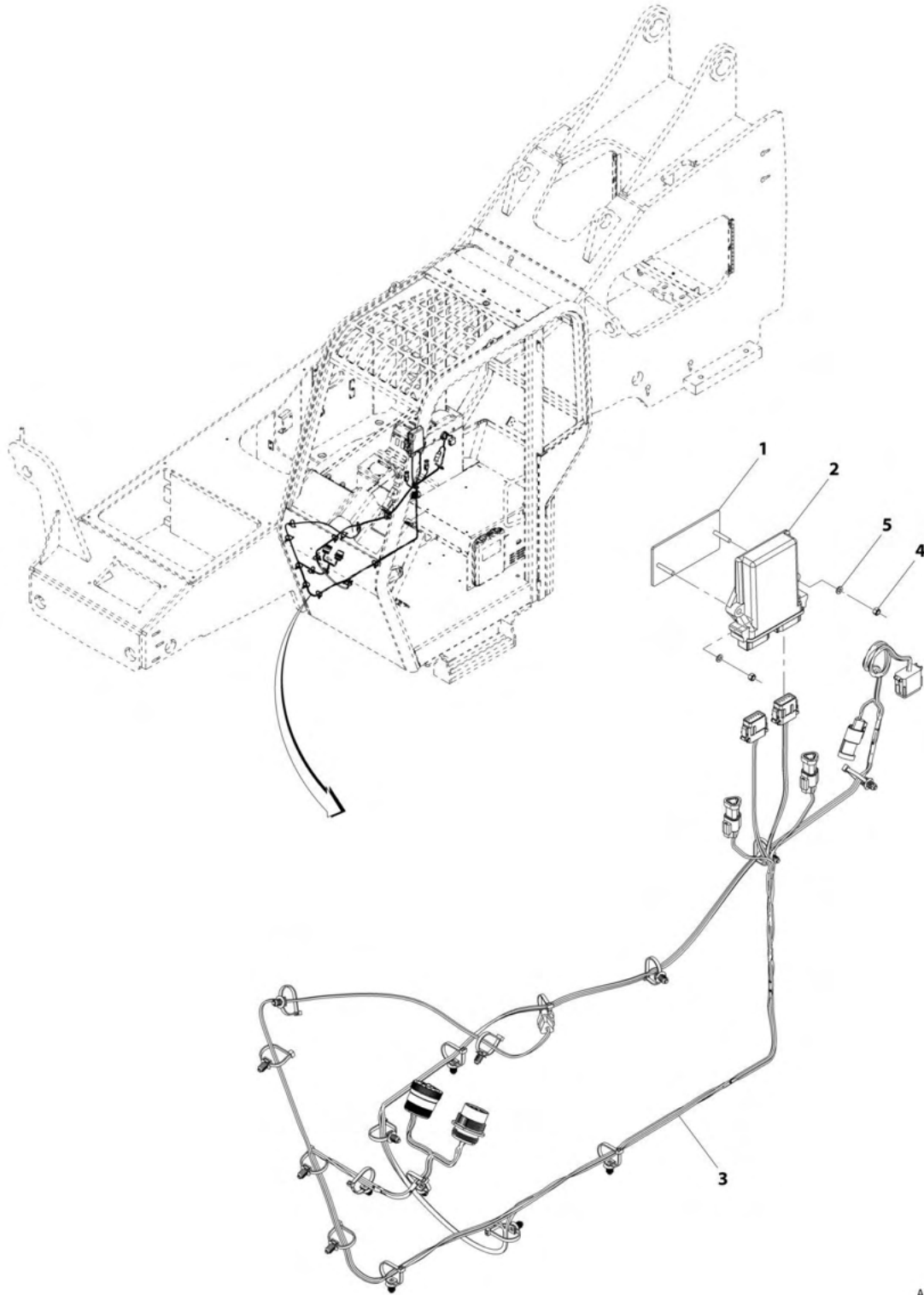
ITEM	PART NUMBER	QTY	DESCRIPTION	REV
50	1001195760	2	Terminal	
51	8220051	1	Terminal	
52	4460933	1	Connector	
53	1001003174	3	Terminal, Socket	
54	4460465	7	Terminal	
55	4460466	2	Terminal	
56	4460897	1	Connector	
57	4460464	2	Terminal	
58	4460891	1	Connector	
59	4460465	1	Terminal	
60	1001157890	1	Terminal	
61	4460930	1	Connector	
62	4460465	3	Terminal	
63	1001157890	2	Terminal	
64	4460466	3	Plug	
65	4461017	1	Connector	
66	4460508	2	Terminal, Socket	
67	1001117119	1	Connector	
68	1001159186	2	Terminal	
69	8220051	1	Terminal	
70	80963061	1	Connector	
71	4460790	4	Terminal, Socket	
72	8220089	4	Seal	
73	8220927	1	Connector	
74	1001116726	10	Terminal	
75	8220097	4	Terminal	
76	8220098	1	Terminal	
77	4460458	14	Seal	
78	4460789	1	Seal	
79	8220929	1	Connector	
80	1001116745	3	Terminal	
81	8220162	3	Terminal	
82	1001116729	8	Terminal	
83	1001116727	1	Plug	
84	4460458	11	Seal	
85	80963067	3	Seal	
86	1001121726	1	Connector	
87	8220125	2	Terminal	
88	8220089	2	Seal	
89	1001116726	1	Terminal	
90	4460458	1	Seal	
91	1001116727	2	Plug	
92	4460970	1	Connector	
93	4460466	6	Terminal	
94	4460464	6	Terminal	
95	1001121728	1	Connector, Packard Female, 1POS	
96	1001121730	1	Terminal	
97	1001121728	1	Connector, Packard Female, 1POS	
98	1001121730	1	Terminal	
99	1001200845	3	Leg, Mounting	
100	1001205172	11	Relay, Micro 280, 12V, 35 Amp	

SECTION 10 - ELECTRICAL

ITEM	PART NUMBER	QTY	DESCRIPTION	REV
101	1001129285	3	Fuse, Mini Diode	
102	1001177198	6	Module, 2 Fuse	
103	1001187952	3	Assembly, Electrical	
104	8229261	2	Fuse, Type 5 A	
105	8229233	4	Fuse, Type 7.5 A	
106	8229234	7	Fuse, Type 10 A	
107	8229237	1	Fuse, Type 15 A	
108	8229235	4	Fuse, Type 20 A	
109	8229238	1	Fuse, Type 40 A	
110	4461103	17	Relay, Locking Wedge	
111	1001210779	1	Terminal	
112	1001116710	43	Terminal	
113	1001116712	12	Terminal	
114	1001210779	1	Terminal	
115	1001192050	10	Terminal	
116	1001210776	4	Terminal	
117	1001192049	11	Terminal	
118	1001210778	2	Terminal	
119	1001210777	8	Terminal	

SECTION 10 - ELECTRICAL

FIGURE 10-12. CLEARSKY CANBUS TELEMATICS INSTALLATION



ART_1001220468-A

SECTION 10 - ELECTRICAL

FIGURE 10-12. CLEARSKY CANBUS TELEMATICS INSTALLATION

ITEM	PART NUMBER	QTY	DESCRIPTION	REV
	1001220468	Ref	Canbus Telematics Installation	A
1	1001219082	1	Bracket, Control Mount	
2	1001229458	1	Controller, Gateway	
3	1001219895	1	Telematics Gateway Harness (See Separate Breakdown in Electrical Section)	
4	3290505	2	Nut, M5X0.8	
5	4811600	2	Washer, M6	

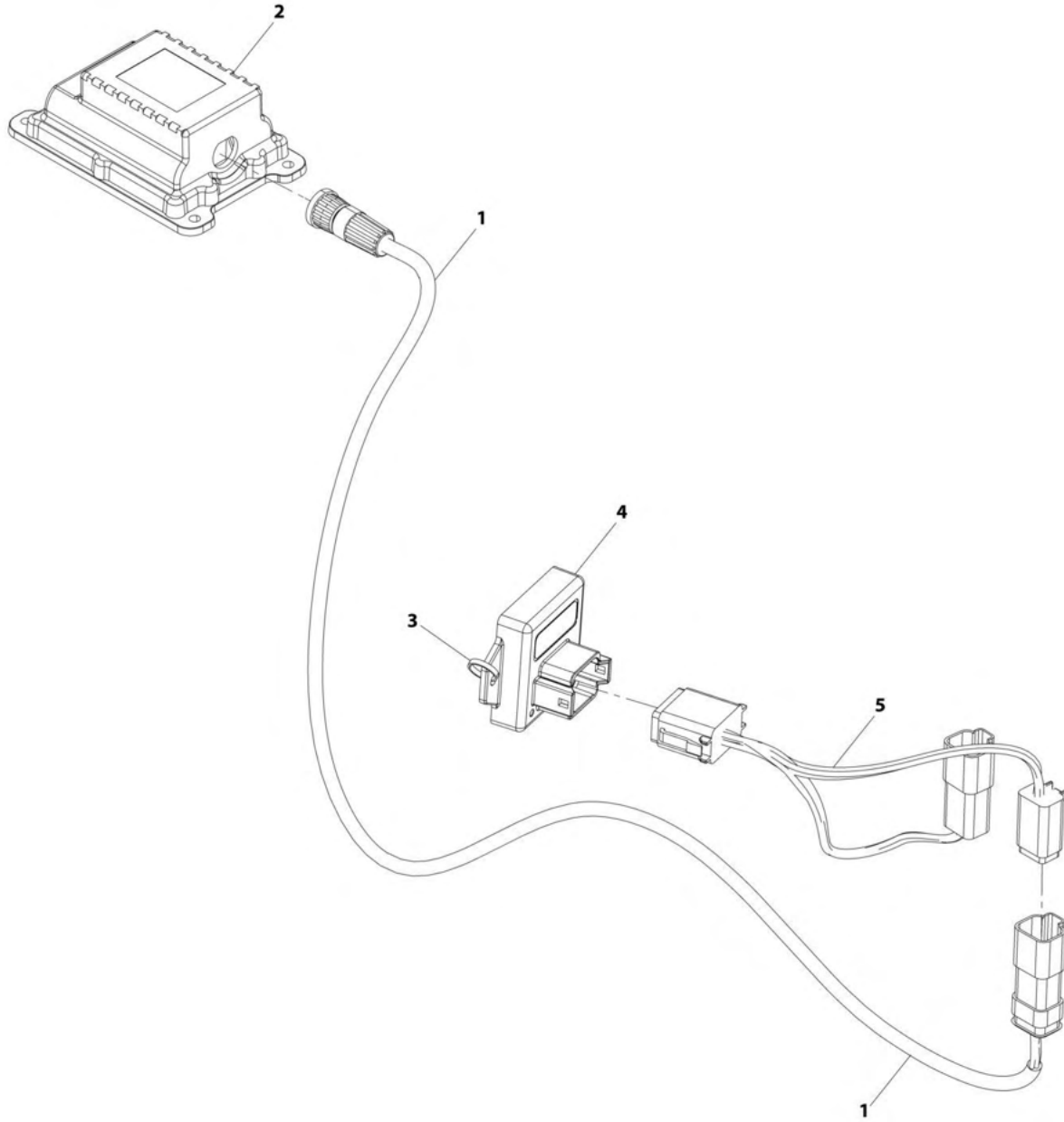
SECTION 10 - ELECTRICAL

FIGURE 10-13. CLEARSKY INSTALLATION 3-WIRE (ANSI)

ITEM	PART NUMBER	QTY	DESCRIPTION	REV
	1001229107	Ref	CLEARSKY INSTALLATION 3-WIRE	D
1	1001226328	1	Module, 3W TCU	
2	1001227066	1	Telematics ClearSky Harness (See Separate Breakdown in this Section)	
3	4240032	AR	Tie-Strap	
4	1001262960	1	Voltage Regulator	
5	1001262963	1	Harness, Xirgo Jumper	

SECTION 10 - ELECTRICAL

FIGURE 10-14. CLEARSKY INSTALLATION 3-WIRE (CE)



ART_1001233237

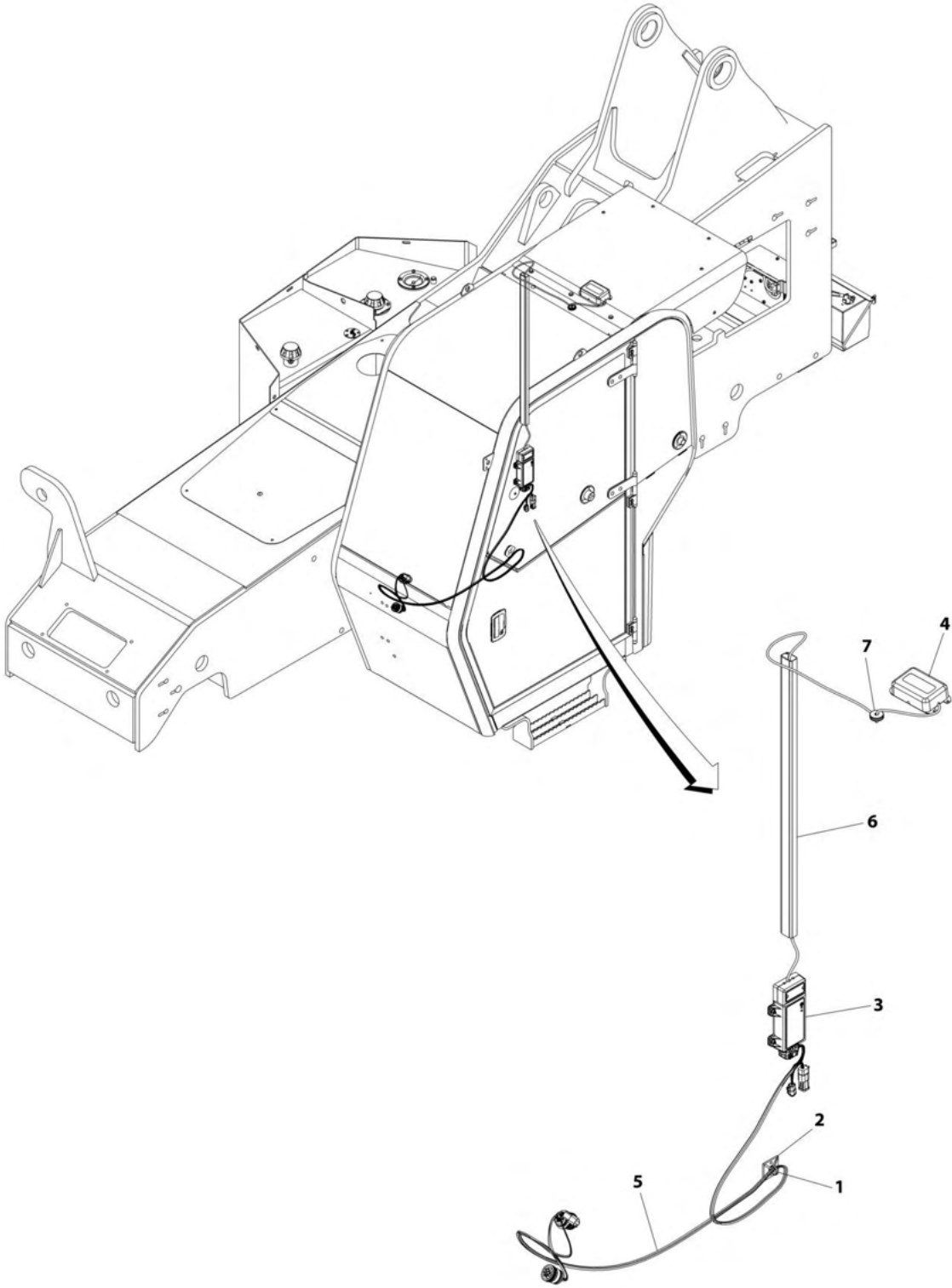
SECTION 10 - ELECTRICAL

FIGURE 10-14. CLEARSKY INSTALLATION 3-WIRE (CE)

ITEM	PART NUMBER	QTY	DESCRIPTION	REV
	1001233237	Ref	Clearsky Installation 3-Wire (CE)	D
1	1001227066	1	Telematics Harness (See Separate Breakdown in this Section)	
2	1001233236	1	Module, 3W TCU	
3	4240032	AR	Tie Strap	
4	1001262960	1	Voltage Regulator	
5	1001262963	1	Harness, Xirgo Jumper	

SECTION 10 - ELECTRICAL

FIGURE 10-15. CLEARSKY INSTALLATION CANBUS (ANSI)



ART_1001227459_E

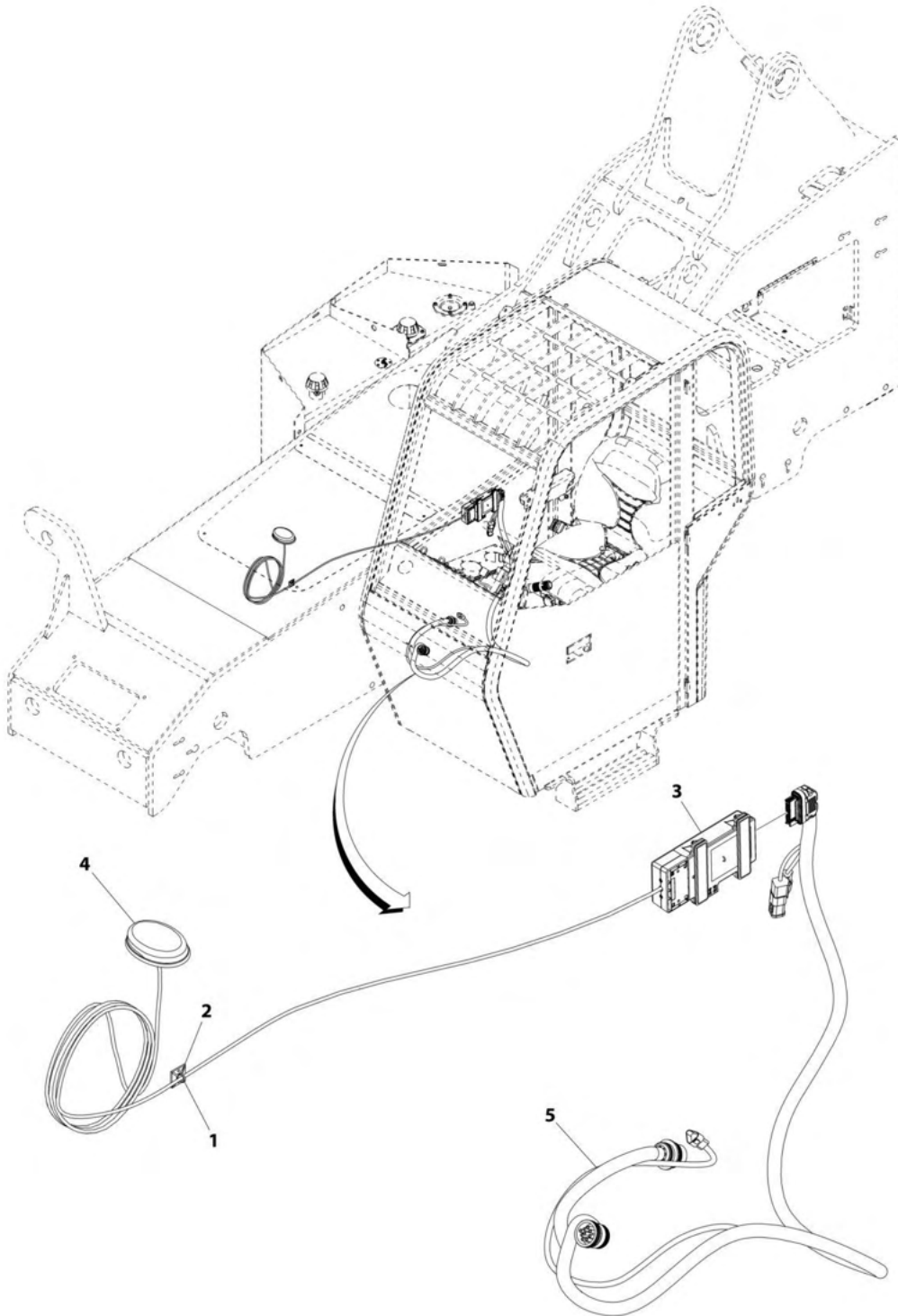
SECTION 10 - ELECTRICAL

FIGURE 10-15. CLEARSKY INSTALLATION CANBUS (ANSI)

ITEM	PART NUMBER	QTY	DESCRIPTION	REV
	1001227459	Ref	CLEARSKY INSTALLATION	E
1	4240032	AR	Tie-Strap	
2	4460234	AR	Mount, Tie-Strap	
3	1001262322	1	Module (4G)	
4	1001262327	1	Antenna (4G)	
5	1001226856	1	Harness, Clearsky (See Separate Breakdown in this Section)	
6	1001182091	1	Duct, Wire	
7	1001195913	1	Grommet	

SECTION 10 - ELECTRICAL

FIGURE 10-16. CLEARSKY INSTALLATION CANBUS (CE)



ART_1001239250-A

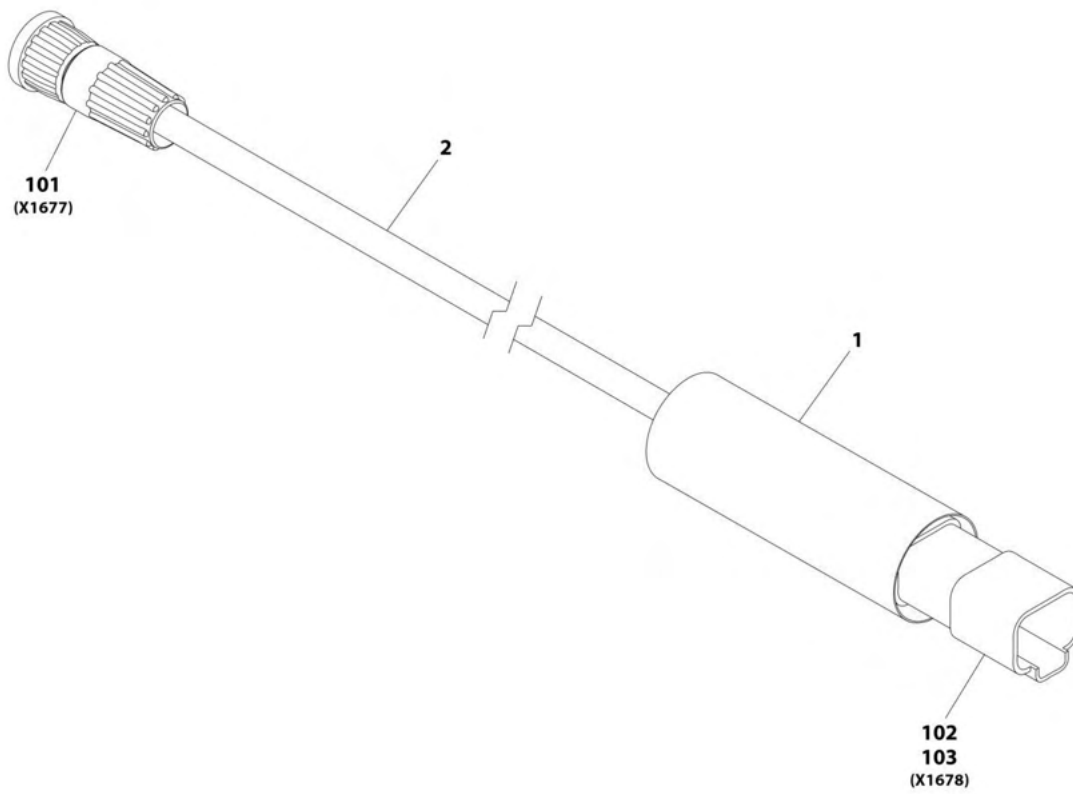
SECTION 10 - ELECTRICAL

FIGURE 10-16. CLEARSKY INSTALLATION CANBUS (CE)

ITEM	PART NUMBER	QTY	DESCRIPTION	REV
	1001239250	Ref	Clearsky Installation (CE)	A
1	4240032	AR	Tie-Strap	
2	4460234	AR	Mount, Tie-Strap	
3	1001228954	1	Module	
4	1001226799	1	Antenna	
5	1001226856	1	Harness, Clearsky (See Separate Breakdown in this Section)	

SECTION 10 - ELECTRICAL

FIGURE 10-17. CLEARSKYTELEMATICS HARNESS



ART_1001227066-A

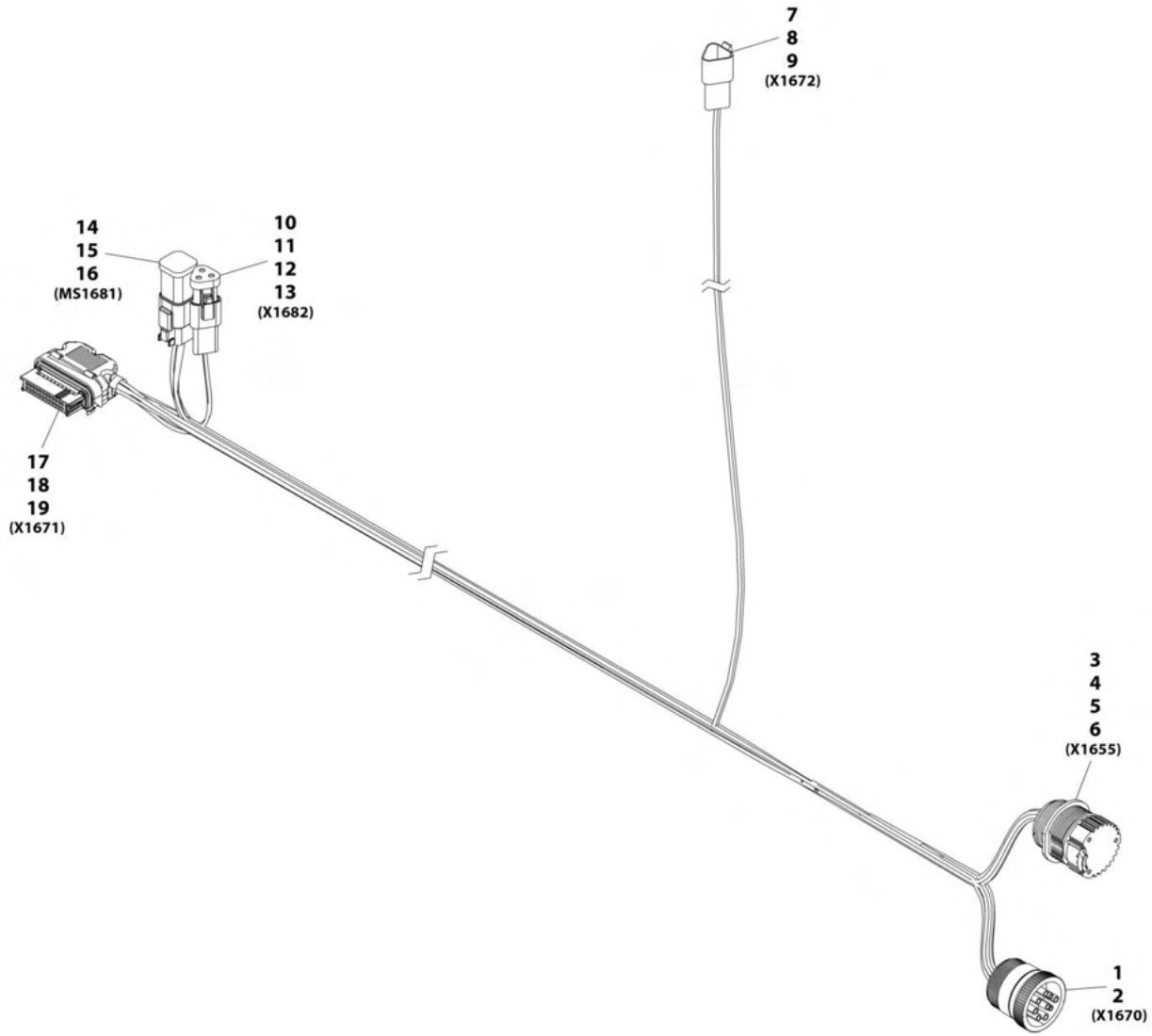
SECTION 10 - ELECTRICAL

FIGURE 10-17. CLEARSKYTELEMATICS HARNESS

ITEM	PART NUMBER	QTY	DESCRIPTION	REV
	1001227066	Ref	CLEARSKY TELEMATICS HARNESS	A
1	1001226400	0.33 ft	Insulate, Heat Shrink	
2	1001227068	3.3 ft	Cable	
101	1001227266	1	Connector	
102	1001129407	1	Connector	
103	4460464	4	Terminal	

SECTION 10 - ELECTRICAL

FIGURE 10-18. CLEARSKY TELEMATICS HARNESS



ART_1001226856-A

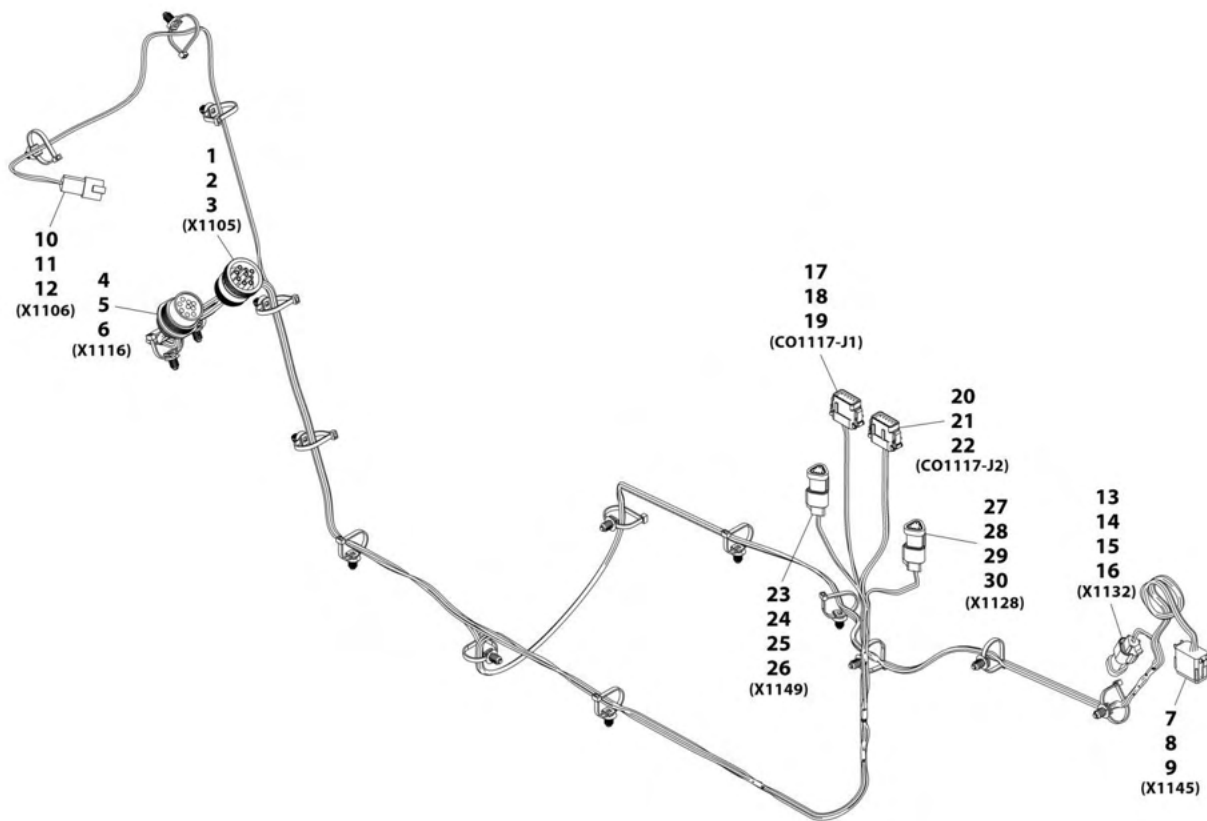
SECTION 10 - ELECTRICAL

FIGURE 10-18. CLEARSKY TELEMATICS HARNESS

ITEM	PART NUMBER	QTY	DESCRIPTION	REV
	1001226856	Ref	Clearsky Telematics Harness	A
1	1001112796	1	Connector	
2	4460465	9	Terminal	
3	1001112612	1	Connector	
4	1001149712	1	Cap	
5	1001116693	6	Terminal	
6	4460466	3	Plug	
7	1001144147	1	Connector	
8	4460464	2	Terminal	
9	4460466	1	Plug	
10	1001144147	1	Connector	
11	1001116815	1	Plug	
12	4460464	2	Terminal	
13	4460466	1	Plug	
14	4460894	1	Connector	
15	1001226541	1	Bussbar	
16	4460465	6	Terminal	
17	1001226636	1	Connector	
18	1001116731	16	Plug	
19	1001226637	8	Terminal	

SECTION 10 - ELECTRICAL

FIGURE 10-19. CLEARSKYTELEMATICS GATEWAY HARNESS



ART_1001219895-A

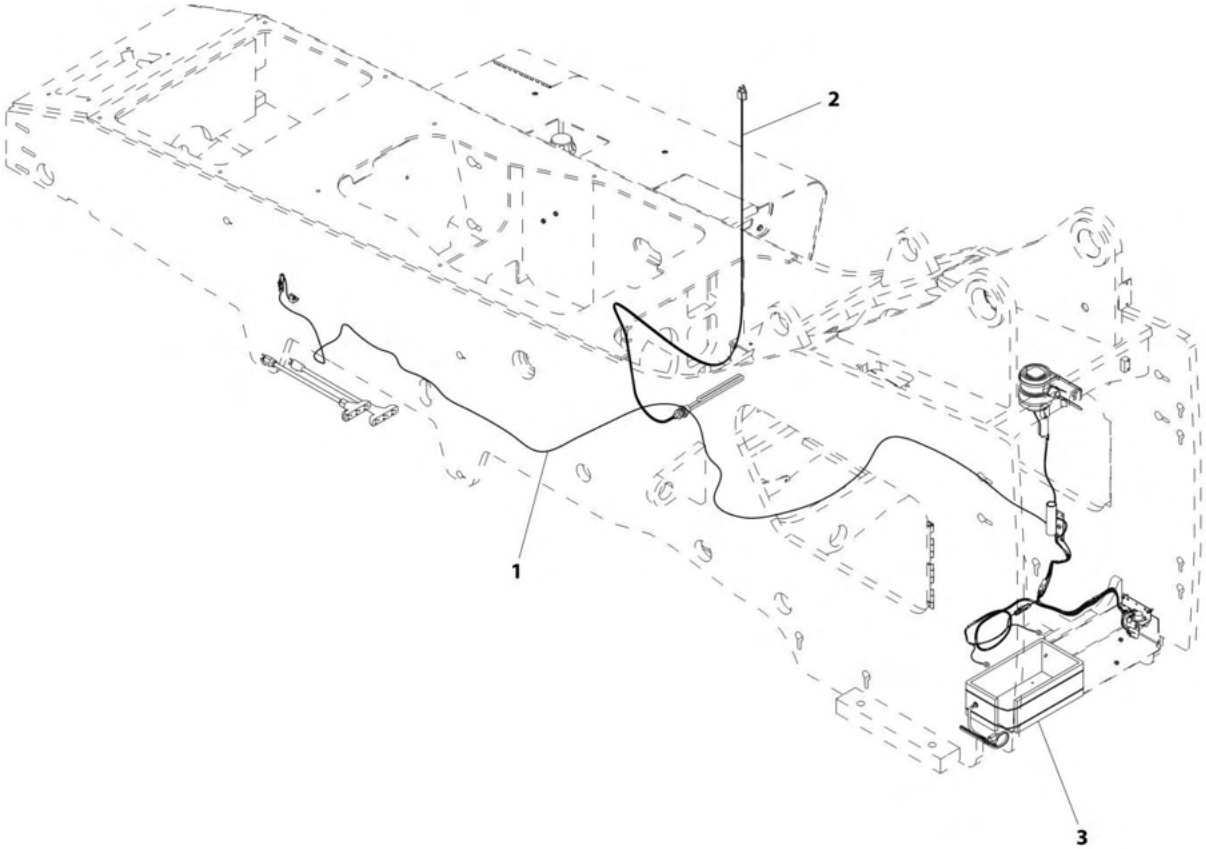
SECTION 10 - ELECTRICAL

FIGURE 10-19. CLEARSKYTELEMATICS GATEWAY HARNESS

ITEM	PART NUMBER	QTY	DESCRIPTION	REV
	1001219895	Ref	Telematics Gateway Harness	A
1	1001112796	1	Connector	
2	1001116692	6	Terminal	
3	4460466	3	Plug	
4	1001112612	1	Connector	
5	1001116693	6	Terminal	
6	4460466	3	Plug	
7	4460933	1	Connector	
8	1001116692	5	Terminal	
9	4460466	7	Plug	
10	1001144147	1	Connector	
11	4460464	2	Terminal	
12	4460466	1	Plug	
13	1001116812	1	Connector	
14	4461070	1	Terminal	
15	4460944	2	Terminal	
16	4460466	1	Plug	
17	1001116774	1	Connector	
18	4460518	8	Plug	
19	1001116694	4	Terminal	
20	1001116808	1	Connector	
21	4460518	10	Plug	
22	1001116694	2	Terminal	
23	1001116812	1	Connector	
24	4461070	1	Terminal	
25	4460944	2	Terminal	
26	4460466	1	Plug	
27	1001116812	1	Connector	
28	4461070	1	Terminal	
29	4460944	2	Terminal	
30	4460466	1	Plug	

SECTION 10 - ELECTRICAL

FIGURE 10-20. COLD WEATHER PACKAGE INSTALLATION (74HP ULS)



ART_1001234530-A

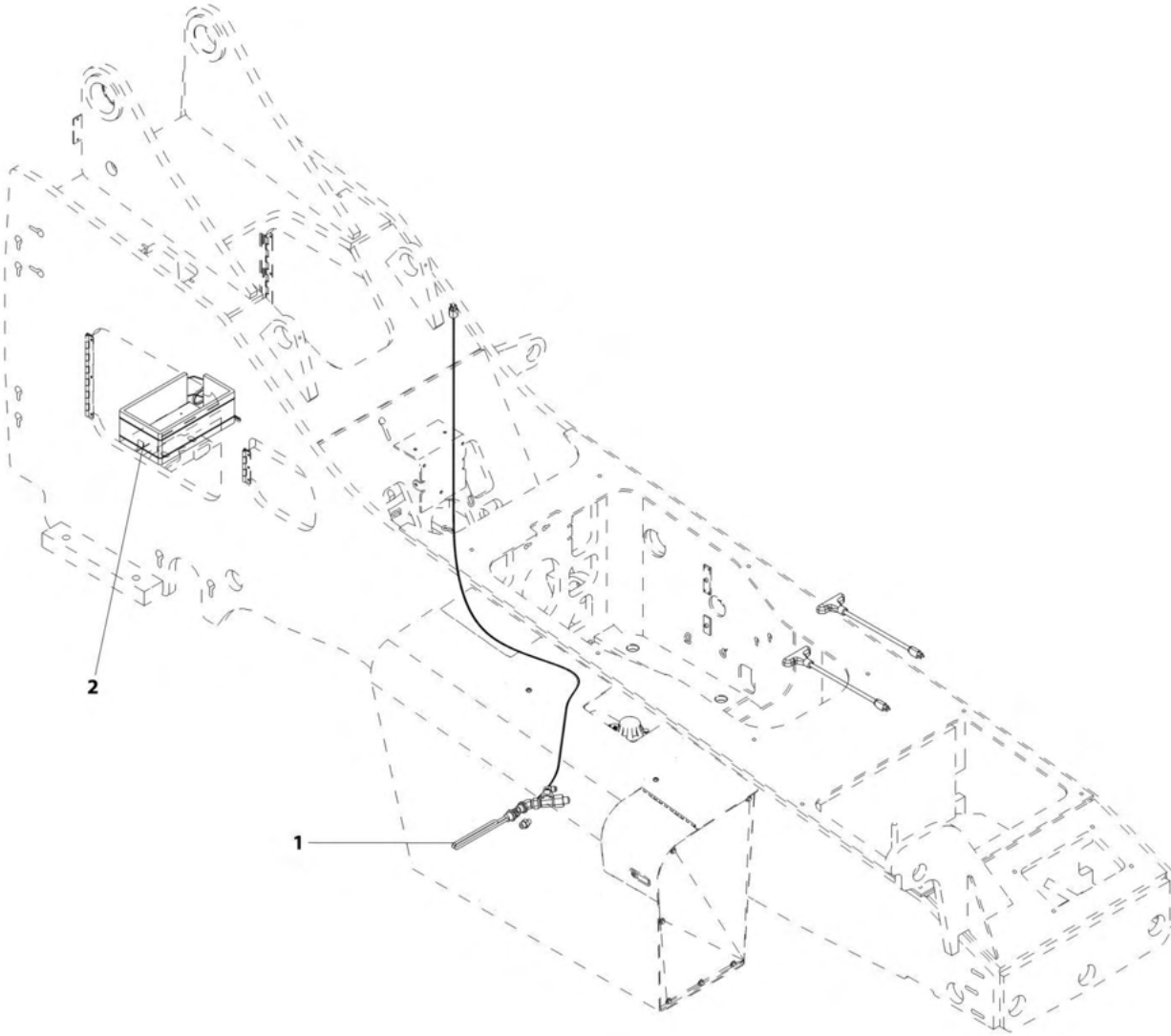
SECTION 10 - ELECTRICAL

FIGURE 10-20. COLD WEATHER PACKAGE INSTALLATION (74HP ULS)

ITEM	PART NUMBER	QTY	DESCRIPTION	REV
1	1001234530	Ref	Arctic Weather Package Installation (ULS)	A
	1001232750	Ref	Heater, Breather (See Separate Breakdown in Engine And Attaching Parts Section)	
2	1001233964	Ref	Installation, Tank Heater (See Separate Breakdown in this Section)	
3	1001234216	Ref	Installation, Battery Blanket (See Separate Breakdown in this Section)	

SECTION 10 - ELECTRICAL

FIGURE 10-21. COLD WEATHER PACKAGE INSTALLATION (130HP LS)



ART_1001239958-A

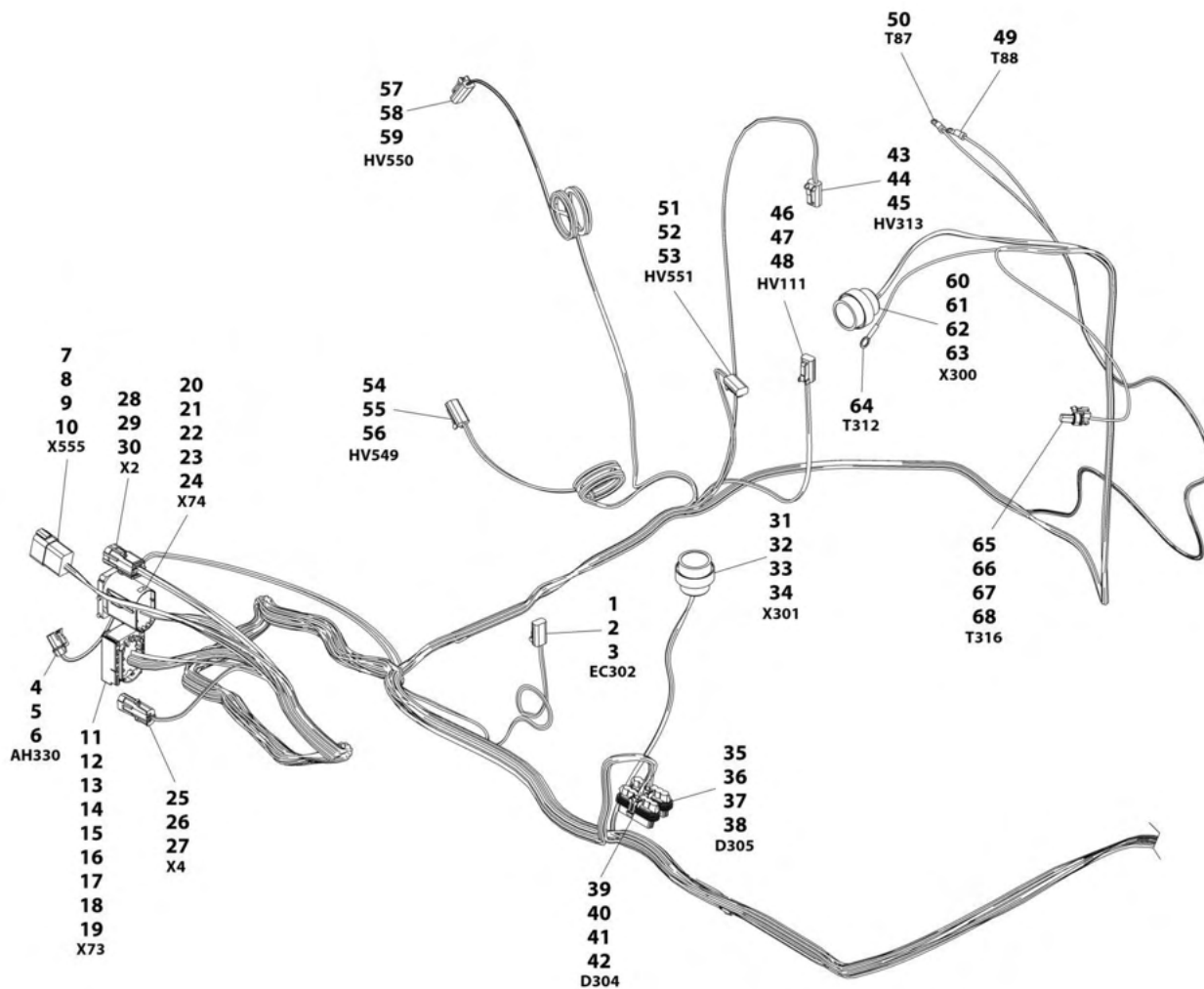
SECTION 10 - ELECTRICAL

FIGURE 10-21. COLD WEATHER PACKAGE INSTALLATION (130HP LS)

ITEM	PART NUMBER	QTY	DESCRIPTION	REV
1	1001239958	Ref	Arctic Weather Package Installation (LS)	A
	1001233964	Ref	Installation, Tank Heater (See Separate Breakdown in this Section)	
2	1001234216	Ref	Installation, Battery Blanket (See Separate Breakdown in this Section)	

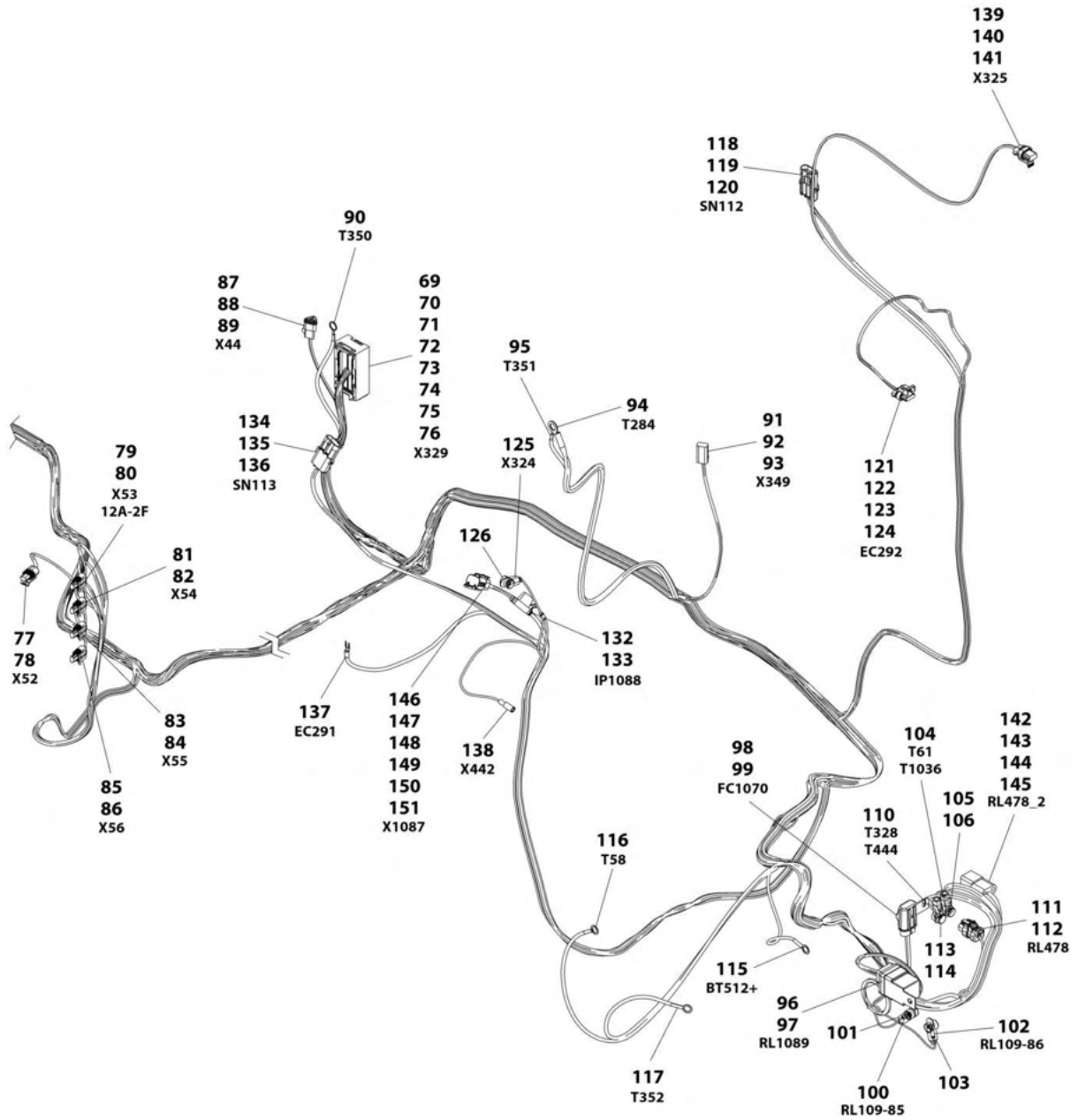
SECTION 10 - ELECTRICAL

FIGURE 10-22. ENGINE HARNESS, 74HP ULS



ART_1001199889_1OF2

SECTION 10 - ELECTRICAL



ART_1001199889_2OF2

SECTION 10 - ELECTRICAL

FIGURE 10-22. ENGINE HARNESS, 74HP ULS

ITEM	PART NUMBER	QTY	DESCRIPTION	REV
	1001199889	Ref	ENGINE HARNESS 74HP (IF EQUIPPED FOR ULS)	H
1	4460891	1	Connector	
2	80604018	1	Lock, Wedge	
3	4460465	2	Terminal	
4	1001117068	1	Connector	
5	8220124	2	Terminal	
6	80963067	2	Seal	
7	4460931	1	Connector	
8	91503106	1	Lock, Wedge	
9	4460464	4	Terminal	
10	4460466	4	Plug	
11	8220927	1	Connector	
12	70024256	1	Lock, Slide	
13	70024255	1	Seal, Connector	
14	70024254	1	Lock, Secondary	
15	8220097	10	Terminal	
16	4460458	10	Seal	
17	8220098	3	Terminal	
18	80963067	3	Seal	
19	1001116727	2	Plug	
20	8220929	1	Connector	
21	70024253	1	Lock, Secondary	
22	1001116745	1	Terminal	
23	1001116729	14	Terminal	
24	4460458	15	Seal	
25	4461157	1	Connector	
26	4460475	2	Terminal	
27	4460458	2	Seal	
28	80963062	1	Connector	
29	4460850	4	Terminal	
30	80963067	4	Seal	
31	8220536	1	Connector	
32	1001116758	12	Plug	
33	1001116757	4	Terminal	
34	1001189875	4	Seal	
35	4460744	1	Connector	
36	1001116728	4	Terminal	
37	1001116727	2	Plug	
38	8220081	4	Seal	
39	4460744	1	Connector	
40	1001116728	4	Terminal	
41	1001116727	2	Plug	
42	8220081	4	Seal	
43	4460891	1	Connector	
44	80604018	1	Lock, Wedge	
45	4460465	2	Terminal	
46	4460891	1	Connector	
47	80604018	1	Lock, Wedge	
48	4460465	2	Terminal	
49	4460042	1	Terminal, Ring	

SECTION 10 - ELECTRICAL

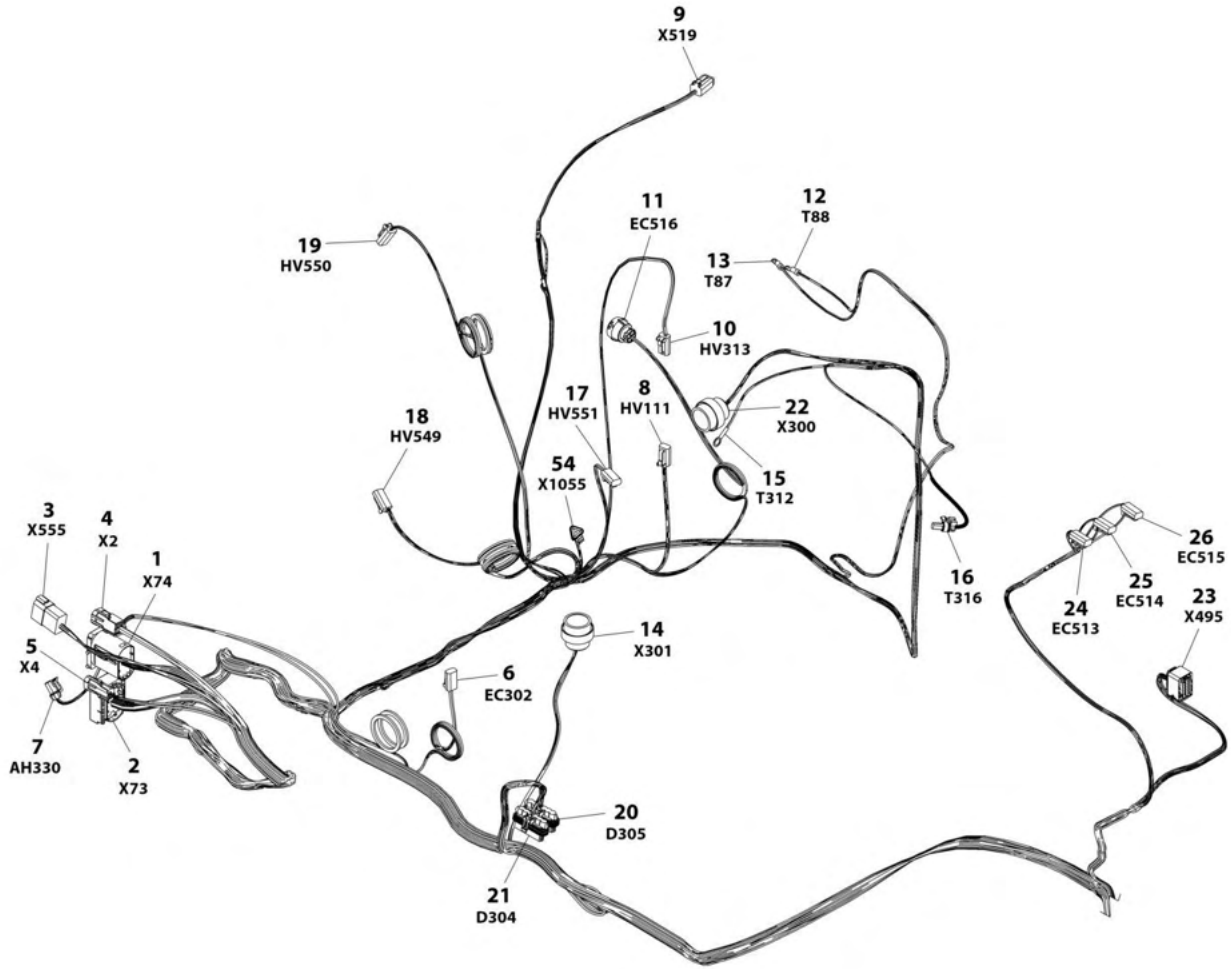
ITEM	PART NUMBER	QTY	DESCRIPTION	REV
50	4460042	1	Terminal, Ring	
51	4460891	1	Connector	
52	80604018	1	Lock, Wedge	
53	4460465	2	Terminal	
54	4460891	1	Connector	
55	80604018	1	Lock, Wedge	
56	4460465	2	Terminal	
57	4460891	1	Connector	
58	80604018	1	Lock, Wedge	
59	4460465	2	Terminal	
60	8220536	1	Connector	
61	1001116757	4	Terminal	
62	1001116758	12	Plug	
63	1001189875	4	Seal	
64	4460256	1	Terminal, Ring	
65	1001119004	1	Connector	
66	8220889	1	Lock, Secondary	
67	1001116728	1	Terminal	
68	4460458	1	Seal	
69	1001167641	1	Connector	
70	1001167643	1	Cover	
71	1001167644	1	Lock, Secondary	
72	1001167646	1	Lock, Secondary	
73	1001167647	1	Boot, Rubber	
74	1001167648	10	Terminal	
75	1001167650	75	Plug	
76	1001167649	11	Terminal	
77	4460955	1	Connector	
78	1001116748	2	Terminal	
79	4460955	1	Connector	
80	1001116748	2	Terminal	
81	4460955	1	Connector	
82	1001116748	2	Terminal	
83	4460955	1	Connector	
84	1001116748	2	Terminal	
85	4460955	1	Connector	
86	1001116748	2	Terminal	
87	4461095	1	Connector	
88	4460465	2	Terminal	
89	4460466	1	Plug	
90	4460019	1	Terminal, Ring	
91	4460891	1	Connector	
92	80604018	1	Lock, Wedge	
93	4460465	2	Terminal	
94	8220164	2	Terminal, Ring	
95	4460019	1	Terminal, Ring	
96	1001145707	1	Connector	
97	1001116732	4	Terminal	
98	1001117070	1	Connector	
99	1001116734	2	Terminal	
100	4460247	1	Terminal, Ring	

SECTION 10 - ELECTRICAL

ITEM	PART NUMBER	QTY	DESCRIPTION	REV
101	1001195057	1	Red Boot	
102	4460247	1	Terminal, Ring	
103	1001195055	1	Red Boot	
104	4460312	1	Terminal, Ring	
105	4460312	1	Terminal, Ring	
106	1001195087	1	Red Boot	
110	4460312	1	Terminal, Ring	
111	1001116950	1	Connector	
112	4460465	2	Terminal	
113	4460312	2	Terminal, Ring	
114	1001195087	1	Red Boot	
115	4460019	1	Terminal, Ring	
116	4460019	1	Terminal, Ring	
117	4460019	1	Terminal, Ring	
118	4460476	1	Connector	
119	4460475	3	Terminal	
120	4460458	3	Seal	
121	1001125027	1	Connector	
122	70026217	1	Lock, Secondary	
123	8220124	3	Terminal	
124	4460608	3	Seal	
125	8220058	1	Terminal, Ring	
126	1001195055	1	Red Boot	
132	2400060	1	Fuse Holder	
133	8229242	1	Fuse 5A	
134	4460476	1	Connector	
135	4460475	3	Terminal	
136	4460458	3	Seal	
137	1001117111	1	Terminal, Fork	
138	1001117125	1	Terminal, Snap Plug	
139	1001117021	1	Connector	
140	1001116728	2	Terminal	
141	8220081	2	Seal	
142	1001117103	1	Connector	
143	7026404	1	Lock, Connector	
144	1001121730	2	Terminal	
145	8220160	2	Seal	
146	4460884	1	Connector	
147	80604021	1	Lock, Wedge	
148	1001157890	1	Terminal	
149	1001116692	2	Terminal	
150	4460466	1	Plug	
151	1001192401	1	Dust Cap	

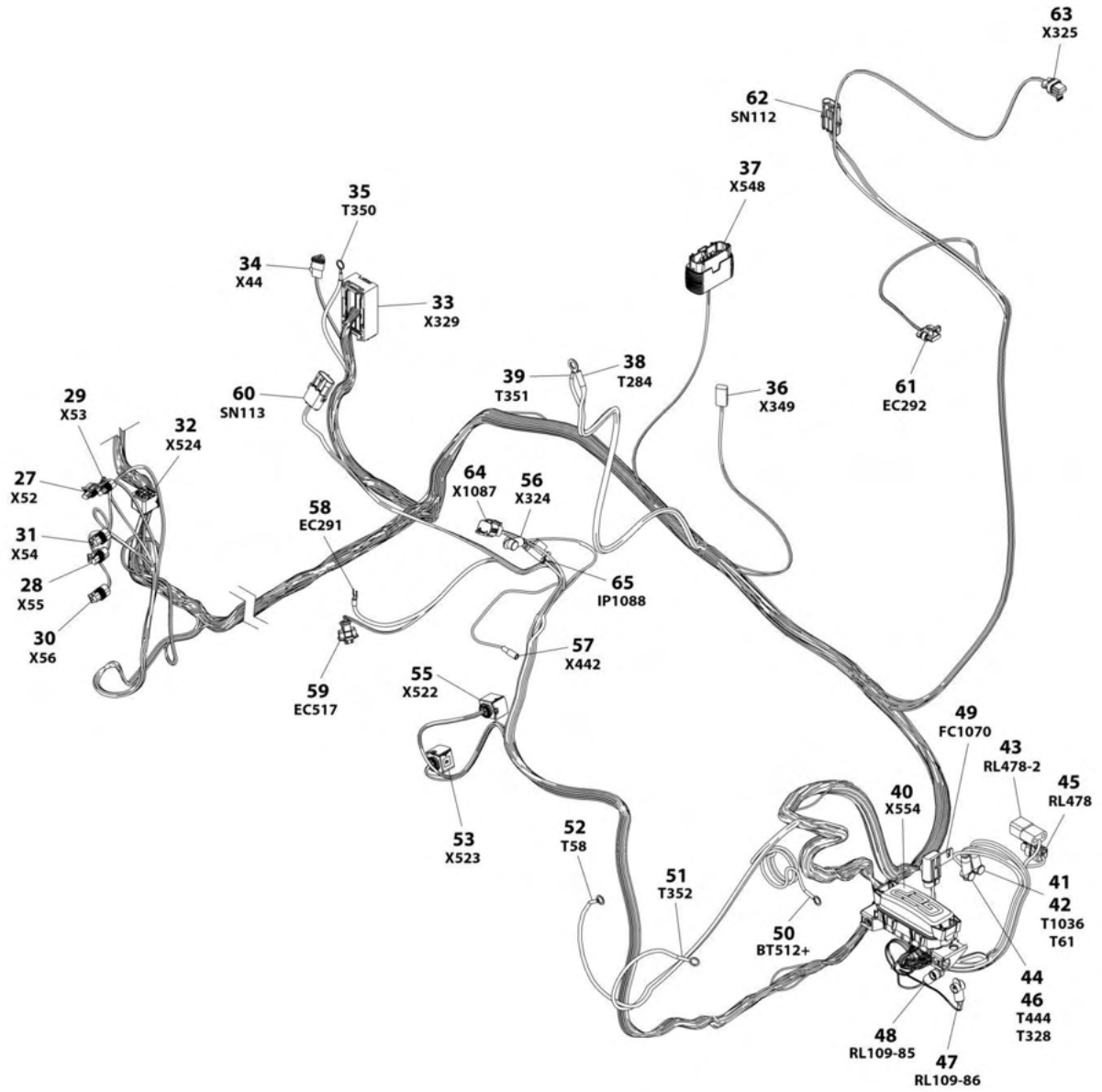
SECTION 10 - ELECTRICAL

FIGURE 10-23. ENGINE HARNESS - 130HP ULS



ART_1001169620_10F2

SECTION 10 - ELECTRICAL



ART_1001169620_20F2

SECTION 10 - ELECTRICAL

FIGURE 10-23. ENGINE HARNESS - 130HP ULS

ITEM	PART NUMBER	QTY	DESCRIPTION	REV
	1001169620	Ref	ENGINE HARNESS	N
1	8220929	1	Connector	
	70024253	1	Lock, Secondary	
	1001116745	1	Terminal	
	4460458	14	Seal	
	1001116729	13	Terminal	
	1001116727	1	Plug	
2	8220927	1	Connector	
	70024256	1	Lock, Slide	
	70024255	1	Seal, Connector	
	70024254	1	Lock, Secondary	
	8220097	11	Terminal	
	4460458	11	Seal	
	8220098	3	Terminal	
	80963067	3	Seal	
	1001116727	1	Plug	
3	4460931	1	Connector	
	80604024	1	Lock, Wedge	
	4460464	6	Terminal	
	4460466	2	Plug	
4	80963062	1	Connector	
	4460850	4	Terminal	
	80963067	4	Seal	
5	4461157	1	Connector	
	4460475	2	Terminal	
	4460458	2	Seal	
6	4460891	1	Connector	
	80604018	1	Lock, Wedge	
	4460465	2	Terminal	
7	1001117068	1	Connector	
	8220124	2	Terminal	
	80963067	2	Seal	
8	4460891	1	Connector	
	80604018	1	Lock, Wedge	
	4460465	2	Terminal	
	4460458	2	Seal	
9	4460884	1	Connector	
	80604021	1	Lock, Wedge	
	4460465	4	Terminal	
10	4460891	1	Connector	
	80604018	1	Lock, Wedge	
	4460465	2	Terminal	
	4460458	2	Seal	
11	1001167620	1	Connector	
	1001176004	2	Terminal	
	1001167624	2	Plug	
	1001176002	2	Seal	
12	4460042	1	Terminal, Ring	
13	4460042	1	Terminal, Ring	
14	8220536	1	Connector	

SECTION 10 - ELECTRICAL

ITEM	PART NUMBER	QTY	DESCRIPTION	REV
	1001116757	12	Terminal	
	1001116758	3	Plug	
	1001189875	4	Seal	
15	4460256	1	Terminal, Ring	
16	1001119004	1	Connector	
	8220889	1	Lock, Secondary Terminal	
	1001116728	1	Terminal	
	4460458	1	Seal	
17	4460891	1	Connector	
	80604018	1	Lock, Wedge	
	4460465	2	Terminal	
18	4460891	1	Connector	
	80604018	1	Lock, Wedge	
	4460465	2	Terminal	
19	4460891	1	Connector	
	80604018	1	Lock, Wedge	
	4460465	2	Terminal	
20	4460744	1	Connector	
	1001116728	4	Terminal	
	8220081	4	Seal	
	1001116727	2	Plug	
	8220366	1	Diode Board Flyback	
	8220375	1	CAP,EXTENDED CLEAR VES-PAC	
21	4460744	1	Connector	
	1001116728	4	Terminal	
	8220081	4	Seal	
	1001116727	2	Plug	
	8220366	1	Diode Board Flyback	
	8220375	1	CAP,EXTENDED CLEAR VES-PAC	
22	8220536	1	Connector	
	1001116757	4	Terminal	
	1001116758	12	Plug	
	1001189875	4	Seal	
23	1001165194	1	Connector	
	1001166556	10	Terminal	
	1001126391	2	Terminal	
	1001126393	10	Seal	
24	4460891	1	Connector	
	80604018	1	Lock, Wedge	
	4460465	2	Terminal	
25	4460891	1	Connector	
	80604018	1	Lock, Wedge	
	4460465	2	Terminal	
26	4460891	1	Connector	
	80604018	1	Lock, Wedge	
	4460465	2	Terminal	
27	4460955	1	Connector	
	1001116748	2	Terminal	
28	4460955	1	Connector	
	1001116748	2	Terminal	
29	4460955	1	Connector	

SECTION 10 - ELECTRICAL

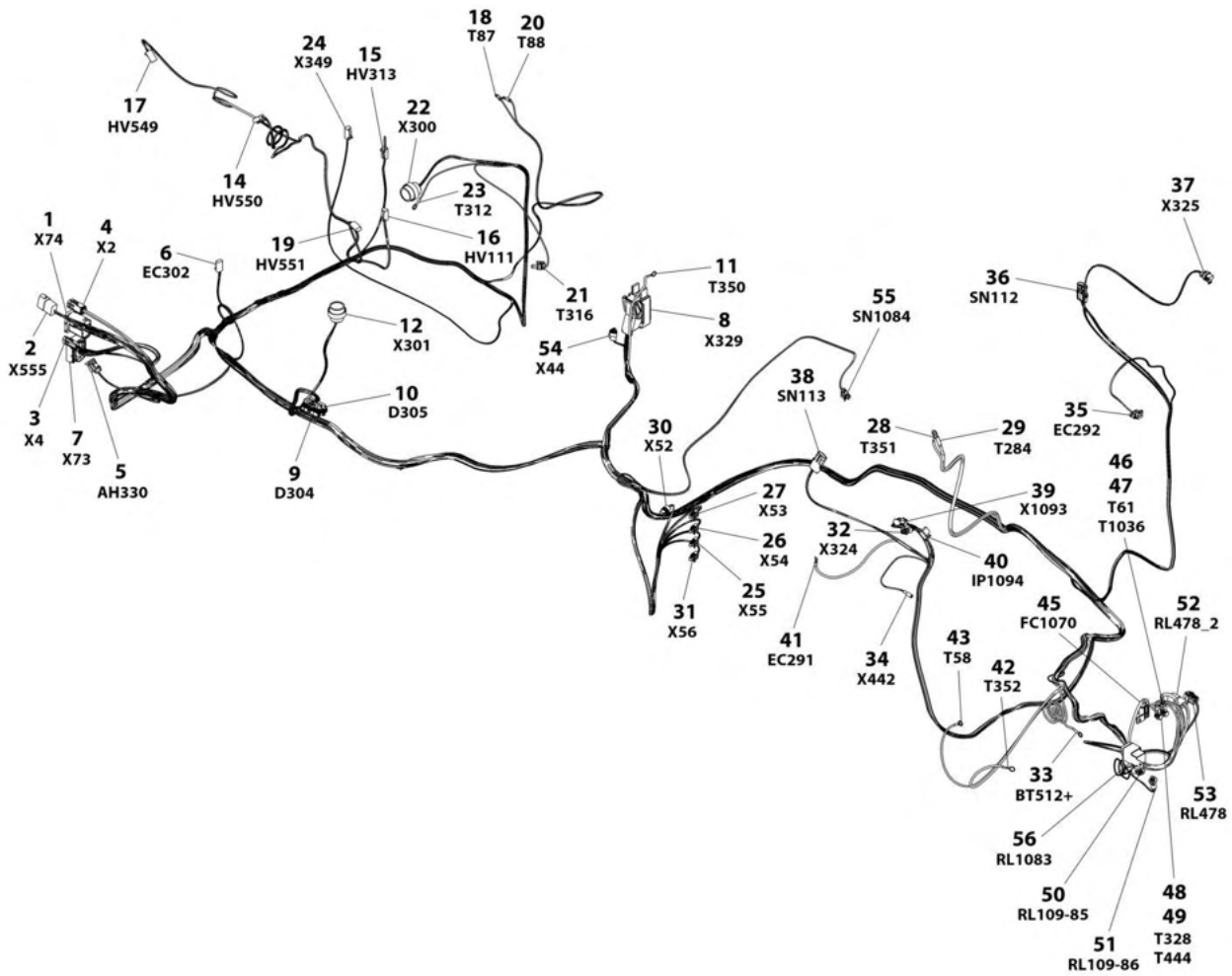
ITEM	PART NUMBER	QTY	DESCRIPTION	REV
	1001116748	2	Terminal	
30	4460955	1	Connector	
	1001116748	2	Terminal	
31	4460955	1	Connector	
	1001116748	2	Terminal	
32	1001176935	1	Connector	
	1001166704	4	Terminal	
	4461006	4	Seal	
33	1001167641	1	Connector	
	1001167643	1	Cover	
	1001167644	1	Lock, Secondary	
	1001167646	1	Relief, Strain	
	1001167647	1	Boot, Rubber	
	1001167648	12	Terminal	
	1001167650	54	Plug	
	1001167649	30	Terminal	
34	4461095	1	Connector	
	4461070	1	Attach Mating Connector	
	4460465	2	Terminal	
	4460466	1	Terminal	
35	4460019	1	Terminal, Ring	
36	4460891	1	Connector	
	80604018	1	Lock, Wedge	
	4460465	2	Terminal	
37	1001125083	1	Connector	
	1001125085	1	Terminal	
	1001125089	1	Terminal	
38	8220164	2	Terminal, Ring	
39	4460019	1	Terminal, Ring	
40	1001167617	1	Connector	
	4460746	22	Terminal	
	1001116727	24	Plug	
	1001189877	2	Seal	
	8220089	1	Seal	
	4460458	19	Seal	
	8220125	2	Terminal	
	80963067	2	Seal	
	1001187512	1	Decal	
	1001187513	1	Decal	
	1001095704	5	Relay	
	8229244	2	Fuse, 15 Amp	
41	4460312	2	Terminal, Ring	
	1001195087	1	Red Boot	
42	4460312	1	Terminal, Ring	
43	1001117103	1	Connector	
	7026404	1	Lock, Connector	
	1001121730	2	Terminal	
	8220160	2	Seal	
44	4460312	1	Terminal, Ring	
45	1001116950	1	Connector	
	4460465	2	Terminal	

SECTION 10 - ELECTRICAL

ITEM	PART NUMBER	QTY	DESCRIPTION	REV
46	4460312	2	Terminal, Ring	
	1001195087	1	Red Boot	
47	4460247	1	Terminal, Ring	
	1001195055	1	Red Boot	
48	4460247	1	Terminal, Ring	
	1001195087	1	Red Boot	
49	1001117070	1	Connector	
	1001116734	2	Terminal	
50	4460019	1	Terminal, Ring	
51	4460019	1	Terminal, Ring	
52	4460019	1	Terminal, Ring	
53	1001176935	1	Connector	
	1001166704	4	Terminal	
	4461006	4	Seal	
	4461095	1	Connector	
54	4461070	1	Attach Mating Connector	
	4460465	2	Terminal	
	4460466	1	Plug	
	1001167528	1	Connector	
55	1001166704	4	Terminal	
	4461006	4	Seal	
	8220058	1	Terminal, Ring	
56	1001195055	1	Red Boot	
	1001117125	1	Terminal, Snap Plug	
57	1001117125	1	Terminal, Snap Plug	
58	1001117111	1	Terminal, Fork	
59	1001126487	1	Connector	
	1001126484	2	Terminal	
	4461006	2	Seal	
60	4460476	1	Connector	
	4460475	3	Terminal	
	4460458	3	Seal	
61	1001125027	1	Connector	
	70026217	1	Lock, Secondary	
	8220124	3	Terminal	
	4460608	3	Seal	
62	4460476	1	Connector	
	4460475	3	Terminal	
	4460458	3	Seal	
63	1001117021	1	Connector	
	1001116728	2	Terminal	
	8220081	2	Seal	
64	4460884	1	Connector	
	1001192401	1	Dust Cap	
	1001157890	1	Terminal	
	1001116692	2	Terminal	
	4460466	1	Plug	
65	2400066	1	Connector	
	8229242	1	Fuse, 5 Amp	

SECTION 10 - ELECTRICAL

FIGURE 10-24. ENGINE HARNESS 130HP LS



ART_1001189488

SECTION 10 - ELECTRICAL

FIGURE 10-24. ENGINE HARNESS 130HP LS

ITEM	PART NUMBER	QTY	DESCRIPTION	REV
	1001189488	Ref	ENGINE HARNESS	K
1	8220929	1	Connector	
	1001116745	1	Terminal	
	1001116729	14	Terminal	
	4460458	15	Seal	
2	4460931	1	Connector	
	80604024	1	Lock, Wedge	
	4460464	4	Terminal	
	4460466	4	Plug	
3	4461157	1	Connector	
	4460475	2	Terminal	
	4460458	2	Seal	
4	80963062	1	Connector	
	4460850	4	Terminal	
	80963067	4	Seal	
5	1001117068	1	Connector	
	8220124	2	Terminal	
	80963067	2	Seal	
6	4460891	1	Connector	
	80604018	1	Lock, Wedge	
	4460465	2	Terminal	
7	8220927	1	Connector	
	8220097	12	Terminal	
	8220098	2	Terminal	
	1001116727	1	Plug	
	4460458	11	Seal	
	80963067	2	Seal	
	1001189877	1	Seal	
8	1001133173	1	Connector	
	1001138643	6	Terminal	
	1001126356	77	Terminal	
	1001138642	8	Terminal	
	1001126351	3	Terminal	
	1001126353	6	Seal	
9	4460744	1	Connector	
	1001116728	4	Terminal	
	1001116727	2	Plug	
	8220081	4	Seal	
10	4460744	1	Connector	
	1001116728	4	Terminal	
	1001116727	2	Plug	
	8220081	4	Seal	
11	4460019	1	Terminal, Ring	
12	8220536	1	Connector	
	1001116758	12	Plug	
	1001116757	4	Terminal	
	1001189875	4	Seal	
14	4460891	1	Connector	
	80604018	1	Lock, Wedge	
	4460465	2	Terminal	

SECTION 10 - ELECTRICAL

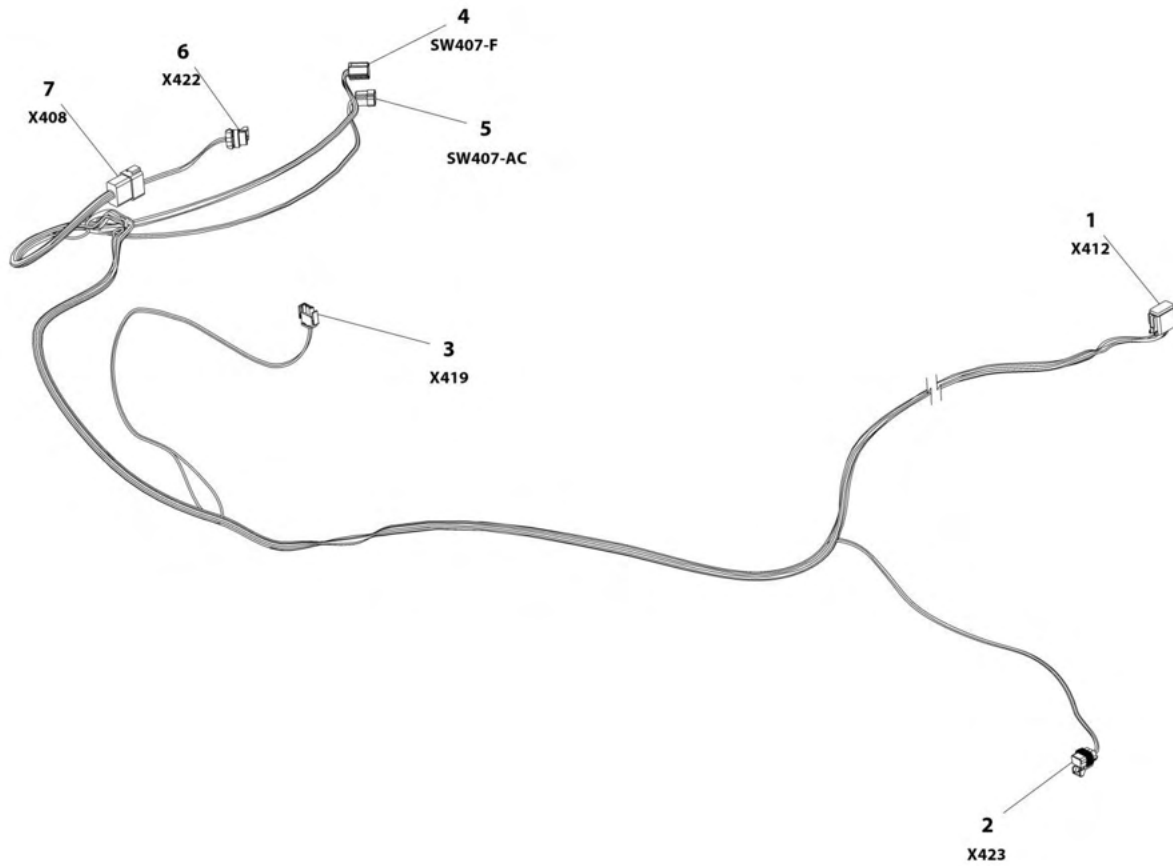
ITEM	PART NUMBER	QTY	DESCRIPTION	REV
15	4460891	1	Connector	
	80604018	1	Lock, Wedge	
	4460465	2	Terminal	
16	4460891	1	Connector	
	80604018	1	Lock, Wedge	
	4460465	2	Terminal	
17	4460891	1	Connector	
	80604018	1	Lock, Wedge	
	4460465	2	Terminal	
18	4460042	1	Terminal, Ring	
19	4460891	1	Connector	
	80604018	1	Lock, Wedge	
	4460465	2	Terminal	
20	4460042	1	Terminal, Ring	
21	1001119004	1	Connector	
	1001116728	1	Terminal	
	4460458	1	Seal	
22	8220536	1	Connector	
	1001116757	4	Terminal	
	1001116758	12	Plug	
	1001189875	4	Seal	
23	4460256	1	Terminal, Ring	
24	4460891	1	Connector	
	80604018	1	Lock, Wedge	
	4460465	2	Terminal	
25	4460955	1	Connector	
	1001116748	2	Terminal	
26	4460955	1	Connector	
	1001116748	2	Terminal	
27	4460955	1	Connector	
	1001116748	2	Terminal	
28	4460019	1	Terminal, Ring	
29	8220164	1	Terminal, Ring	
30	4460955	1	Connector	
	1001116748	2	Terminal	
31	4460955	1	Connector	
	1001116748	2	Terminal	
32	8220058	1	Terminal, Ring	
33	4460019	1	Terminal, Ring	
34	1001117125	1	Terminal, Snap Plug	
35	1001125027	1	Connector	
	8220124	3	Terminal	
	4460608	3	Seal	
36	4460476	1	Connector	
	4460475	3	Terminal	
	4460458	3	Seal	
37	1001117021	1	Connector	
	1001116728	2	Terminal	
	8220081	2	Seal	
38	4460476	1	Connector	
	4460475	3	Terminal	

SECTION 10 - ELECTRICAL

ITEM	PART NUMBER	QTY	DESCRIPTION	REV
	4460458	3	Seal	
39	4460884	1	Connector	
	80604021	1	Lock, Wedge	
	4460465	3	Terminal	
	4460466	1	Plug	
	1001192401	1	Dust Cap	
40	2400060	1	Fuse Holder	
41	4460142	1	Connector	
	1001117111	1	Terminal	
42	4460019	1	Terminal, Ring	
43	4460019	1	Terminal, Ring	
45	1001117070	1	Connector	
	1001116734	2	Terminal	
46	4460312	1	Terminal, Ring	
	1001195087	1	Red Boot	
47	4460312	2	Terminal, Ring	
48	4460312	2	Terminal, Ring	
	1001195087	1	Red Boot	
49	4460312	1	Terminal, Ring	
50	4460247	1	Terminal, Ring	
	1001195057	1	Black Boot	
51	4460247	1	Terminal, Ring	
	1001195055	1	Red Boot	
52	1001117103	1	Connector	
	1001121730	2	Terminal	
53	1001116950	1	Connector	
	4460465	2	Terminal	
54	4461095	1	Plug	
	4461070	1	Connector	
	4460465	2	Terminal	
	4460466	1	Terminal	
55	1001209097	1	Connector	
	8220124	2	Terminal	
56	1001145707	1	Connector	
	1001116732	4	Terminal	

SECTION 10 - ELECTRICAL

FIGURE 10-25. HVAC HARNESS



ART_1001178347-D

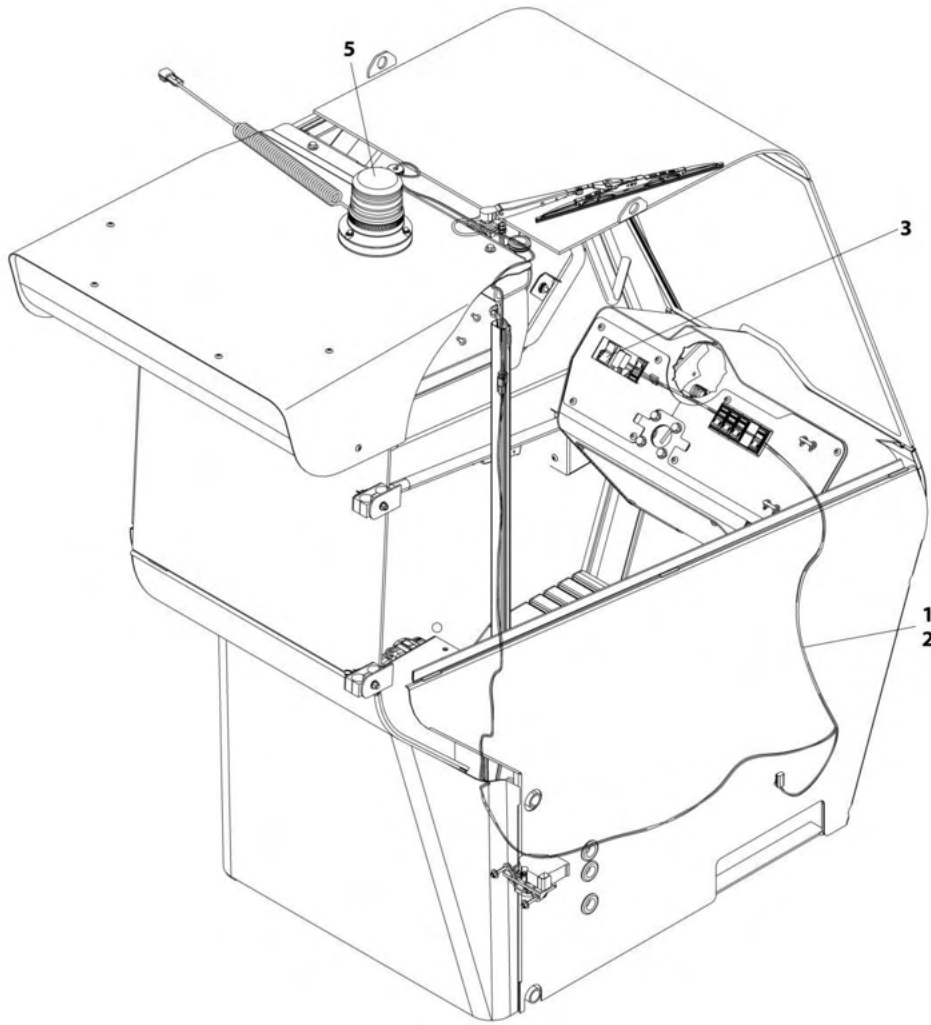
SECTION 10 - ELECTRICAL

FIGURE 10-25. HVAC HARNESS

ITEM	PART NUMBER	QTY	DESCRIPTION	REV
	1001178347	Ref	HVAC Harness	D
1	4460933	1	Connector	
	80604016	1	Lock, Wedge	
	4460942	9	Terminal	
	4460465	2	Terminal	
	4460466	1	Terminal	
2	8220895	1	Connector	
	70026216	1	Lock, Secondary	
	8220124	3	Terminal	
	1001116751	3	Terminal, Plug	
3	4460326	1	Connector	
	4460268	2	Terminal	
4	1001117080	1	Connector	
	1001116723	5	Terminal	
5	1001117059	1	Connector	
	1001116736	3	Terminal	
6	1001125027	1	Connector	
	70026217	1	Lock, Secondary	
	8220124	3	Terminal	
7	4460950	1	Connector	
	80363179	1	Lock, Wedge	
	1001157891	5	Terminal	
	4460464	6	Terminal	
	4460466	1	Terminal	

SECTION 10 - ELECTRICAL

FIGURE 10-26. LIGHTS - BEACON INSTALLATION (ENCLOSED CAB)



ART_1001161213_F

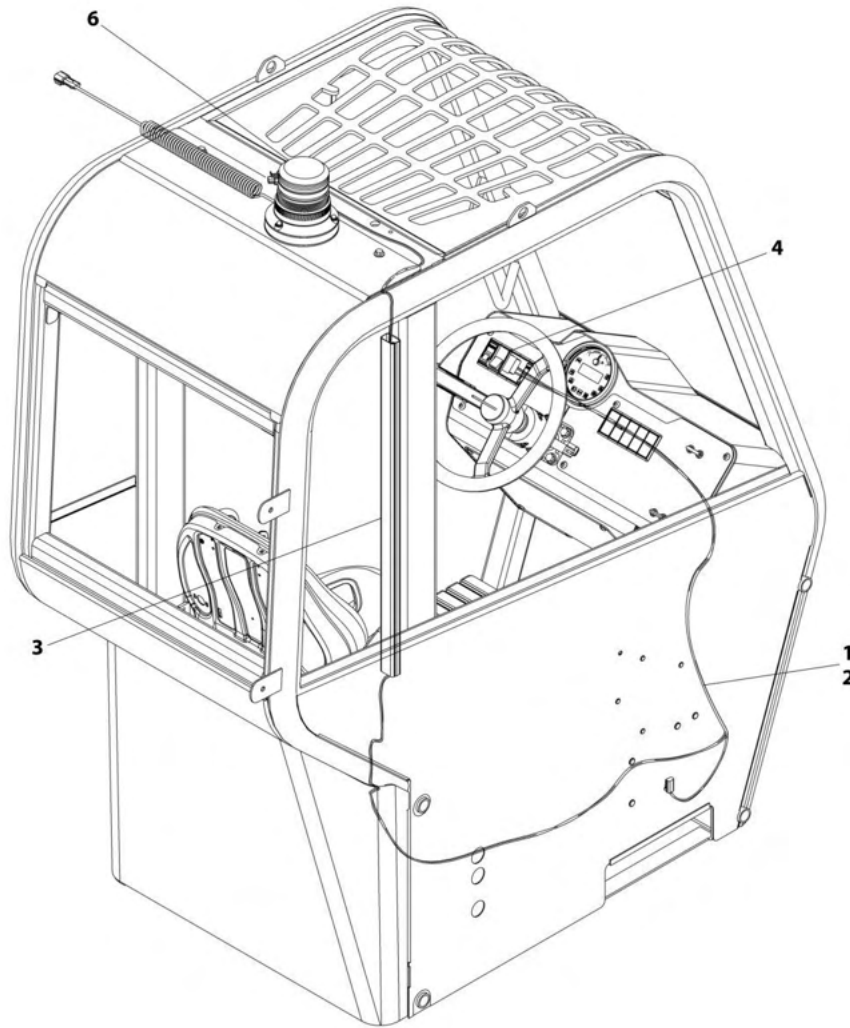
SECTION 10 - ELECTRICAL

FIGURE 10-26. LIGHTS - BEACON INSTALLATION (ENCLOSED CAB)

ITEM	PART NUMBER	QTY	DESCRIPTION	REV
	1001161213	Ref	Rotating Beacon Installation (Enclosed Cab)	F
1	0100009	AR	Sealant	
2	1001178345	1	Harness, Beacon Option (See Separate Breakdown in this Section)	
3	8223038	1	Switch, Beacon	
5	1001258645	1	Light, Rotating Beacon	

SECTION 10 - ELECTRICAL

FIGURE 10-27. LIGHTS - BEACON INSTALLATION (OPEN CAB)



ART_1001161212_H

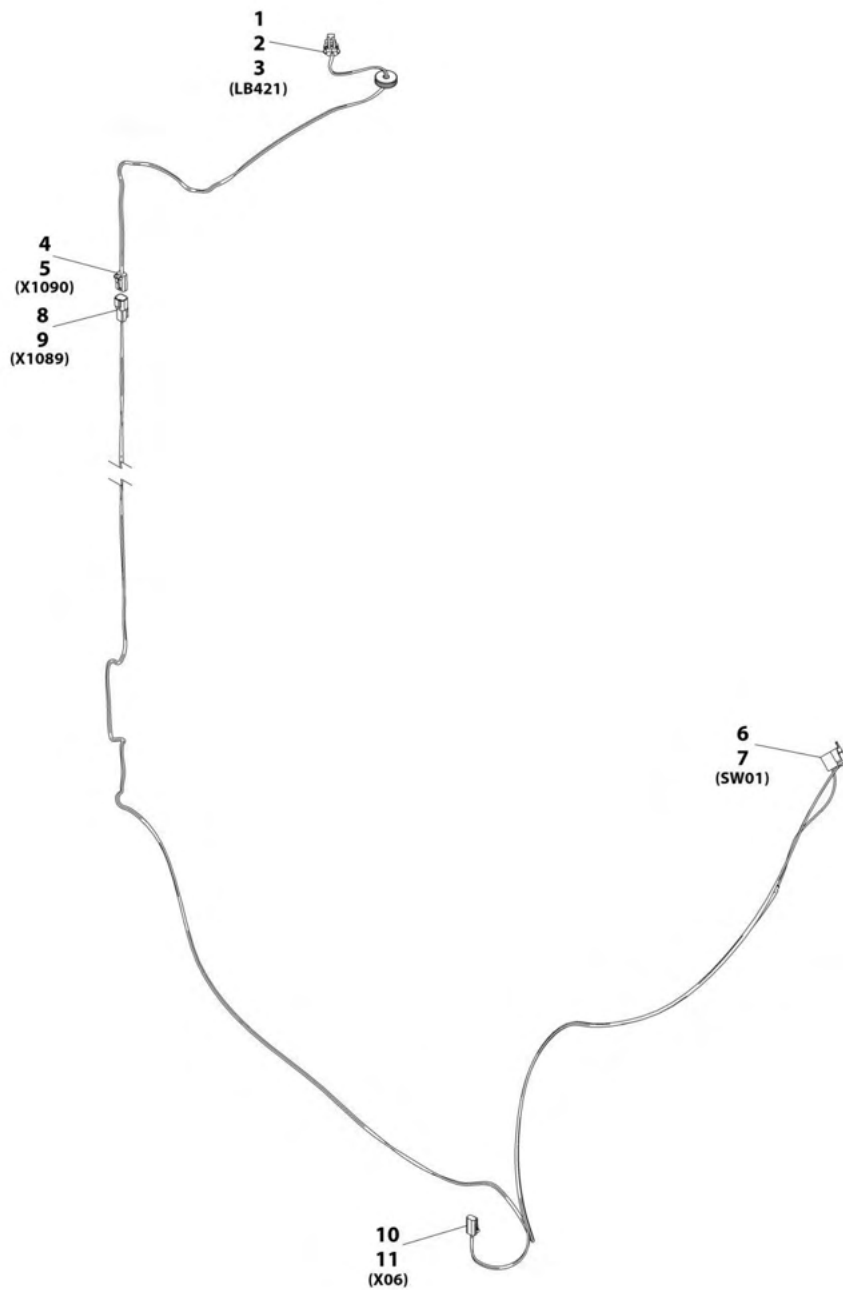
SECTION 10 - ELECTRICAL

FIGURE 10-27. LIGHTS - BEACON INSTALLATION (OPEN CAB)

ITEM	PART NUMBER	QTY	DESCRIPTION	REV
	1001161212	Ref	Rotating Beacon Installation (Open Cab)	H
1	0100009	AR	Sealant	
2	1001178345	1	Harness, Beacon Option (See Separate Breakdown in this Section)	
3	1001182091	1	Duct, Upper Wire	
4	8223038	1	Switch, Beacon	
6	1001258645	1	Light, Rotating Beacon	

SECTION 10 - ELECTRICAL

FIGURE 10-28. LIGHTS - BEACON OPTION HARNESS



ART_1001178345-H

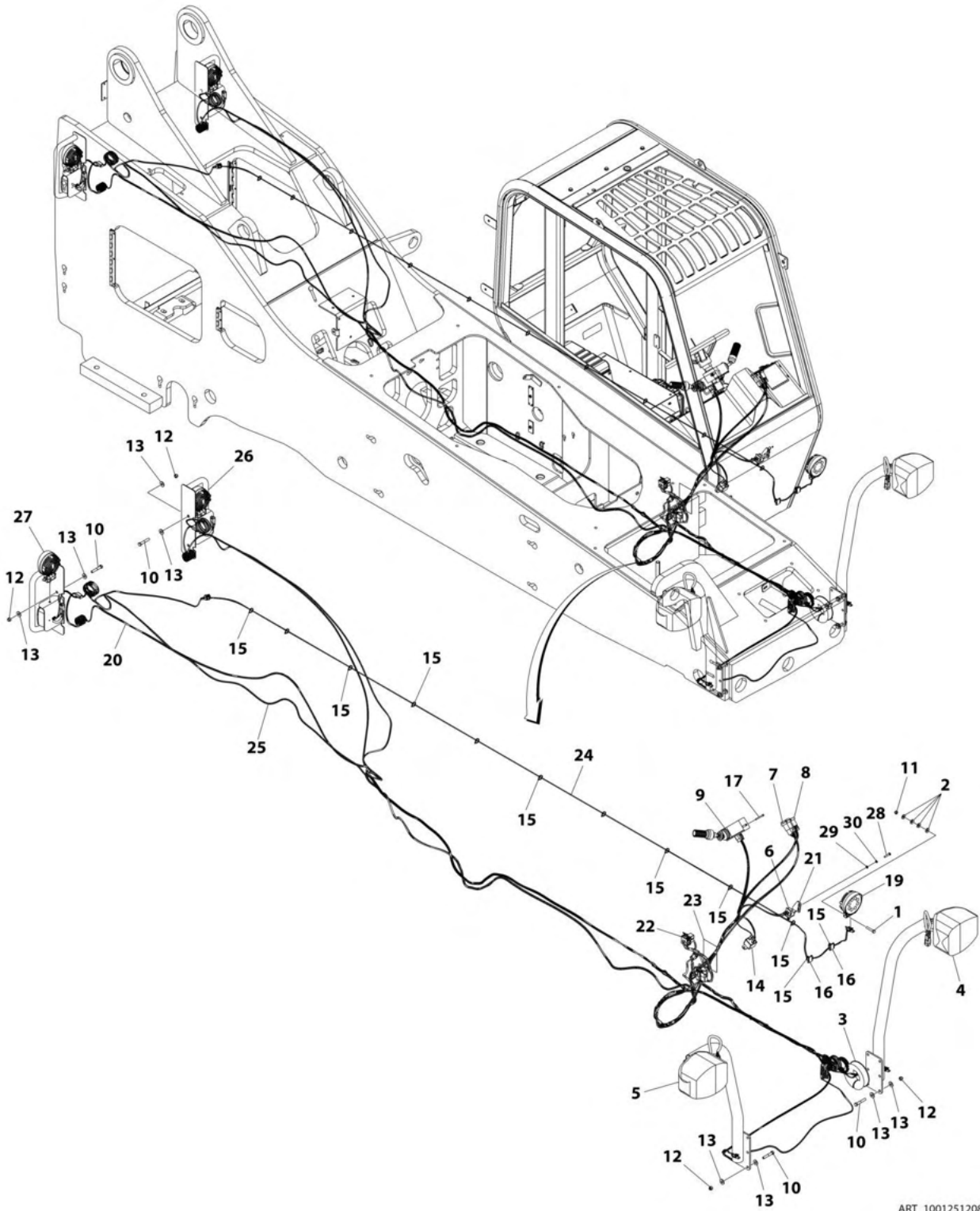
SECTION 10 - ELECTRICAL

FIGURE 10-28. LIGHTS - BEACON OPTION HARNESS

ITEM	PART NUMBER	QTY	DESCRIPTION	REV
	1001178345	Ref	Beacon Option Harness	H
1	1001117021	1	Connector	
2	1001116728	2	Terminal	
3	4460458	2	Seal	
4	4460891	1	Connector	
5	4460465	2	Terminal	
6	8220904	1	Connector	
7	4460419	5	Terminal	
8	4460897	1	Connector	
9	4460464	2	Terminal	
10	4460891	1	Connector	
11	4460465	2	Terminal	

SECTION 10 - ELECTRICAL

FIGURE 10-29. LIGHTS - ROADLIGHT PACKAGE INSTALLATION



ART_1001251208

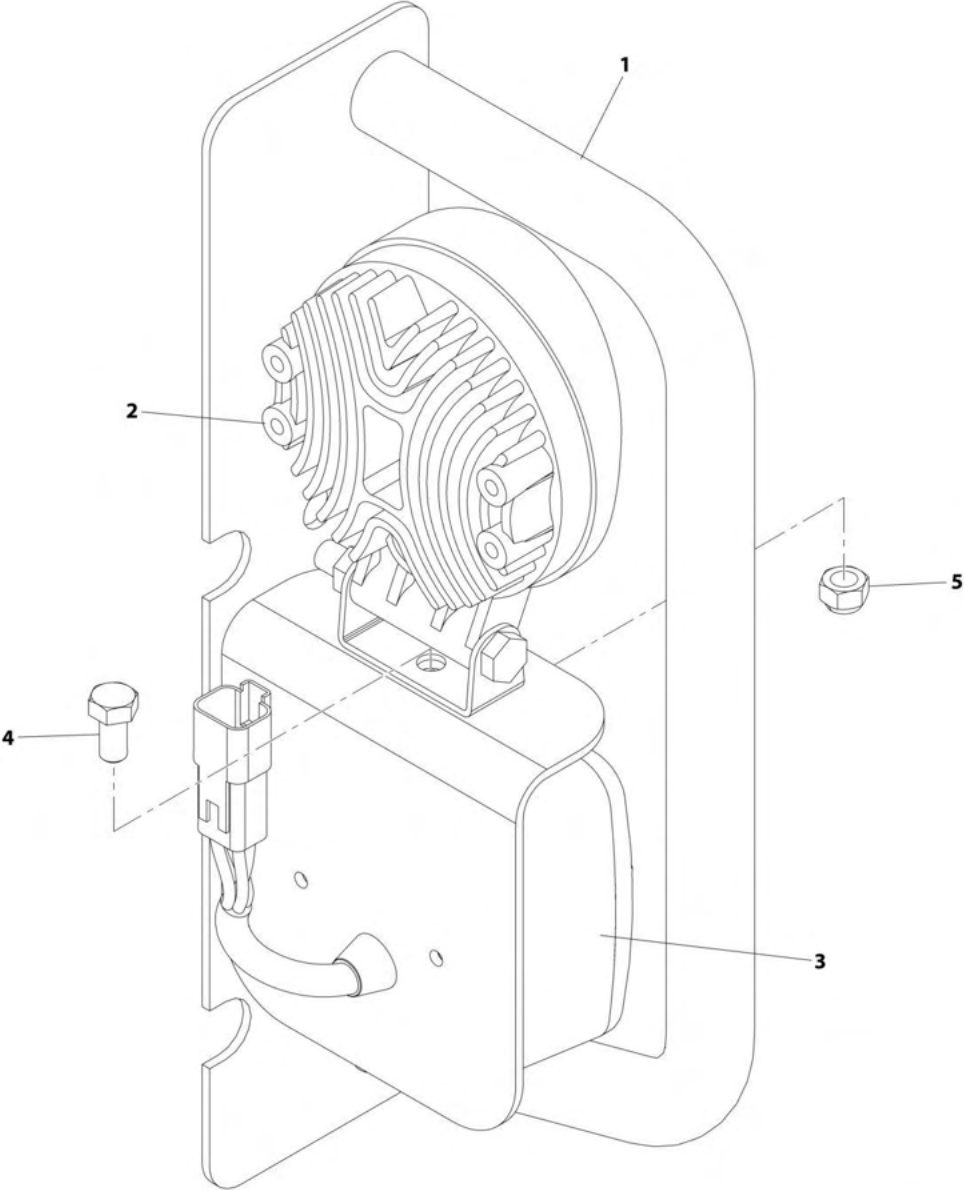
SECTION 10 - ELECTRICAL

FIGURE 10-29. LIGHTS - ROADLIGHT PACKAGE INSTALLATION

ITEM	PART NUMBER	QTY	DESCRIPTION	REV
	1001251208	Ref	ROADLIGHT PACKAGE INSTALLATION	B
1	0641514	1	Bolt 5/16 x 1-3/4	
2	4891600	4	Washer 3/8	
3	7124471	1	Conduit 1 x 12.5	
4	7150699	1	Assembly, LH Roadlight Bracket (See Separate Breakdown in this Section)	
5	7150716	1	Assembly, RH Roadlight Bracket (See Separate Breakdown in this Section)	
6	8223025	1	Switch, Brake Lights	
7	8223059	1	Switch, Work Light	
8	8223060	1	Switch, Hazard	
9	8223073	1	Control, Turn Signal	
10	8303771	10	Bolt 3/8 x 2-1/4	
11	8305626	1	Nut 5/16	
12	8305645	10	Nut 3/8	
13	8307204	20	Washer 3/8	
14	8500203	1	Flasher, Hazard Warning 12V	
15	8584001	AR	Wrap, Tie	
16	8584018	2	Mount, Cable Tie	
17	88211516	2	Screw M10	
19	1001176337	1	Lamp, LED Worklight	
20	1001178346	1	Harness, Road Light Option (See Separate Breakdown in this Section)	
21	1001201752	1	Bracket, Brake Switch	
22	1001205248	1	Harness, Roadlight Worklight (See Separate Breakdown in this Section)	
23	1001205264	1	Decal, Light Fuse Panel	
24	1001238111	1	Harness, Boom Worklight (See Separate Breakdown in this Section)	
25	1001238199	1	Harness, Work Light Option (See Separate Breakdown in this Section)	
26	1001251270	1	Assembly, LH Roadlight (See Separate Breakdown in this Section)	
27	1001251271	1	Assembly, RH Roadlight (See Separate Breakdown in this Section)	
28	0700614	2	Bolt M6 x 30	
29	4811700	2	Washer M6	
30	4831700	2	Washer M6	

SECTION 10 - ELECTRICAL

FIGURE 10-30. LIGHTS - ROADLIGHT ASSEMBLY (LH)



ART_1001251270-A

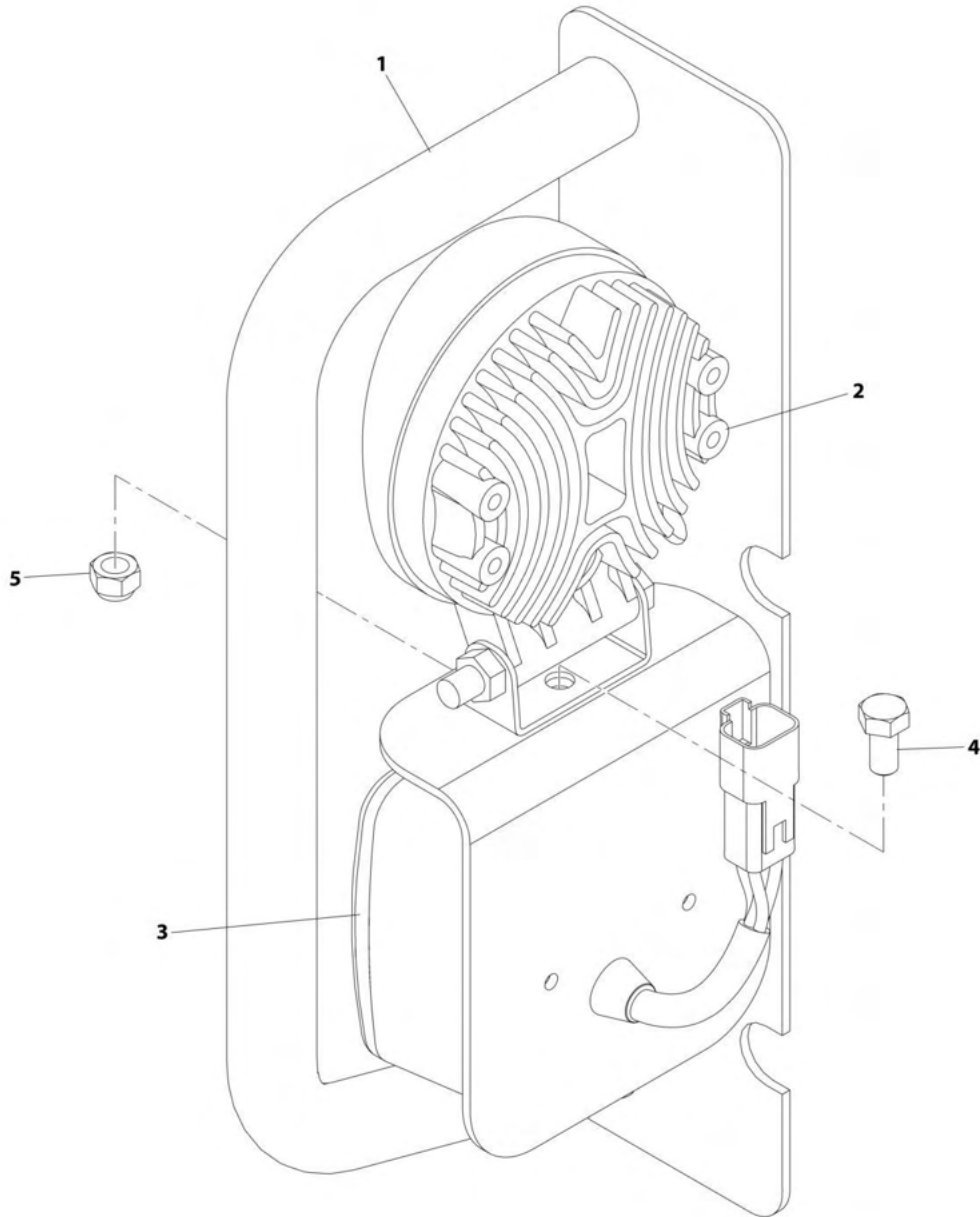
SECTION 10 - ELECTRICAL

FIGURE 10-30. LIGHTS - ROADLIGHT ASSEMBLY (LH)

ITEM	PART NUMBER	QTY	DESCRIPTION	REV
	1001251270	Ref	LH ROADLIGHT ASSEMBLY	A
1	7150681	1	Assembly, LH Roadlight Bracket	
2	1001176337	1	Lamp, LED Worklight	
3	7150690	1	Light, Tail/Indicator	
4	8303745	1	Bolt 5/16 x 5/8	
5	8305626	1	Nut 5/16	

SECTION 10 - ELECTRICAL

FIGURE 10-31. LIGHTS - ROADLIGHT ASSEMBLY (RH)



ART_1001251271-A

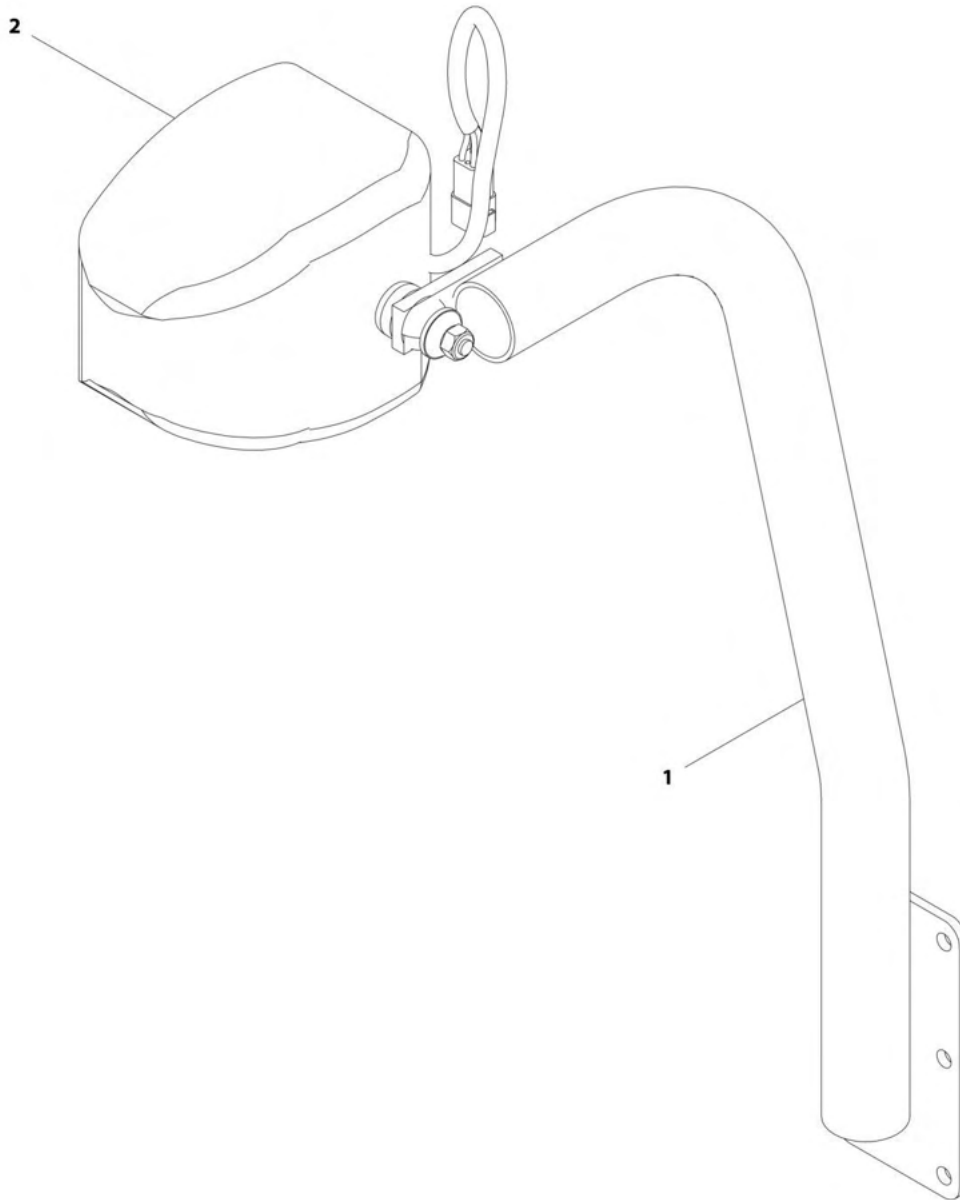
SECTION 10 - ELECTRICAL

FIGURE 10-31. LIGHTS - ROADLIGHT ASSEMBLY (RH)

ITEM	PART NUMBER	QTY	DESCRIPTION	REV
	1001251271	Ref	RH ROADLIGHT ASSEMBLY	A
1	7150680	1	Assembly, RH Roadlight Bracket	
2	1001176337	1	Lamp, LED Worklight	
3	7150690	1	Light, Tail/Indicator	
4	8303745	1	Bolt 5/16 x 5/8	
5	8305626	1	Nut 5/16	

SECTION 10 - ELECTRICAL

FIGURE 10-32. LIGHTS - ROADLIGHT BRACKET ASSEMBLY (LH)



ART_7150699-B

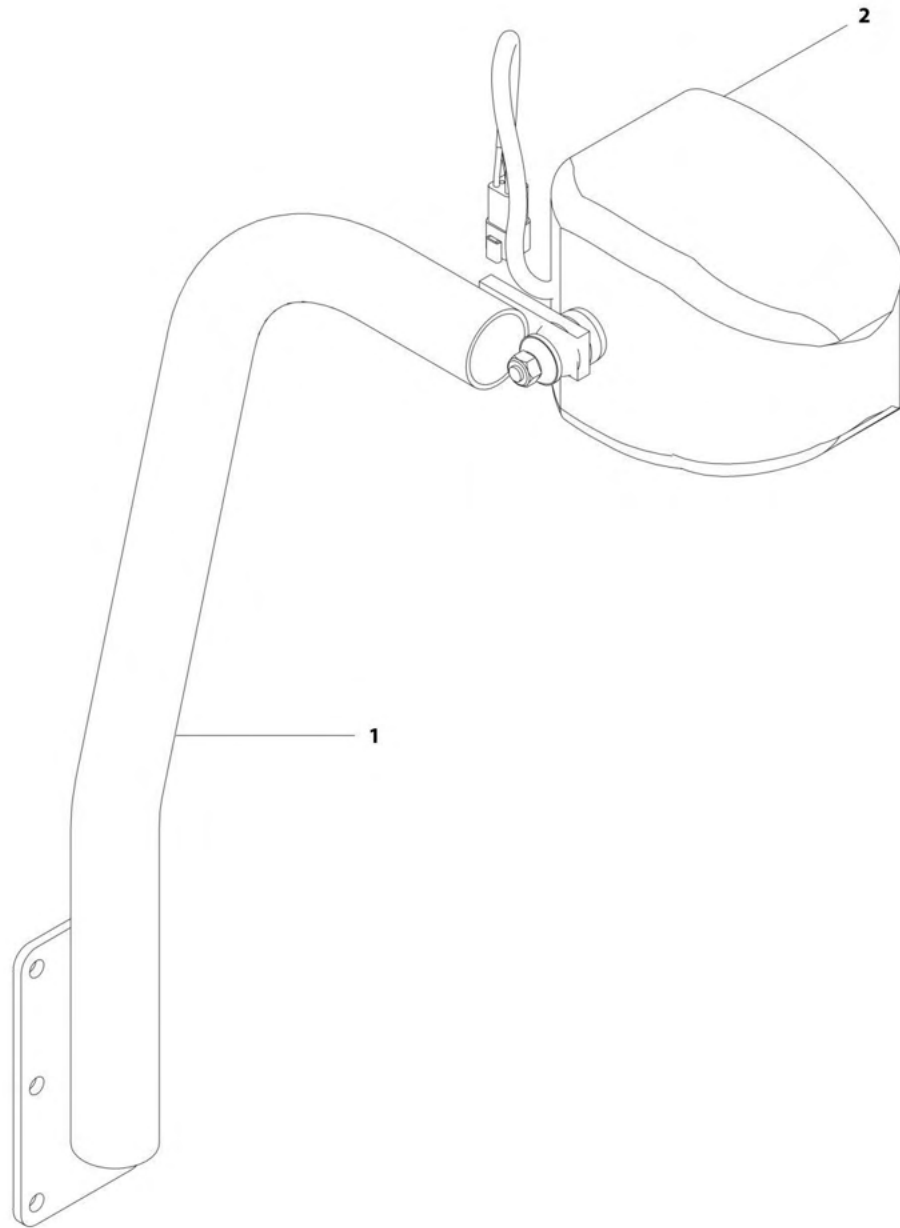
SECTION 10 - ELECTRICAL

FIGURE 10-32. LIGHTS - ROADLIGHT BRACKET ASSEMBLY (LH)

ITEM	PART NUMBER	QTY	DESCRIPTION	REV
	7150699	Ref	LH Roadlight Bracket Assembly	B
1	7150685	1	Bracket, LH Roadlight	
2	7150702	1	Roadlight, LH Front	
2	8036216	6	Screw, Headlight Lens	
2	8036212	1	Lens, Headlight	
2	8036213	1	Bulb, Headlight 12V, 60/55W	
2	8036214	1	Bulb, Blinker 12V, 5W	
2	8036215	1	Harness, Wiring (includes 6-way connector)	
2	8036209	1	Lens, Left Amber Headlight	

SECTION 10 - ELECTRICAL

FIGURE 10-33. LIGHTS - ROADLIGHT BRACKET ASSEMBLY (RH)



ART_7150716-B

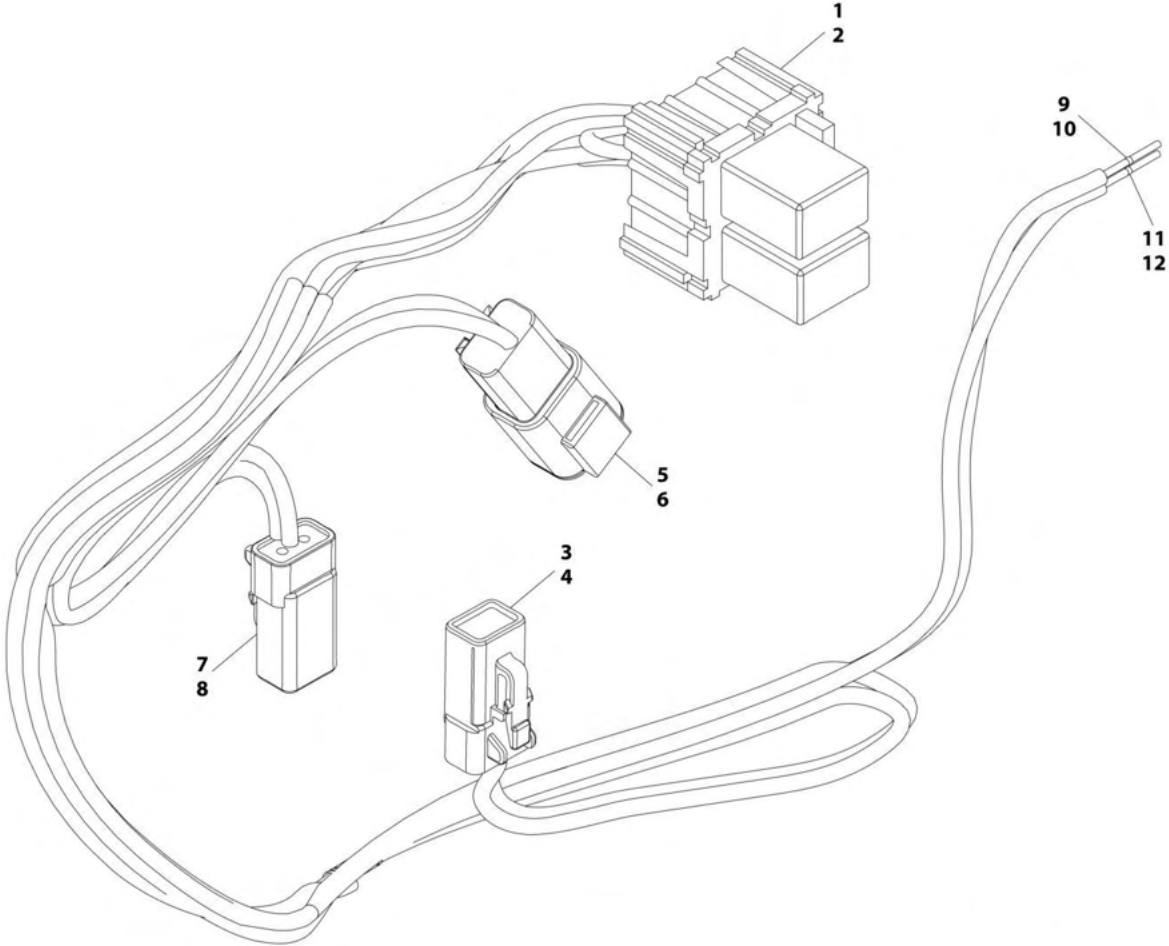
SECTION 10 - ELECTRICAL

FIGURE 10-33. LIGHTS - ROADLIGHT BRACKET ASSEMBLY (RH)

ITEM	PART NUMBER	QTY	DESCRIPTION	REV
	7150716	Ref	RH Roadlight Bracket Assembly	B
1	7150717	1	Bracket, RH Roadlight	
2	7150703	1	Roadlight, LH Front	
2	8036210	1	Lens, Right Amber Headlight	
2	8036216	6	Screw, Headlight Lens	
2	8036212	1	Lens, Headlight	
2	8036213	1	Bulb, Headlight, 12V, 60/55W	
2	8036214	1	Bulb, Blinker 12V, 5W	
2	8036215	1	Harness, Wiring (includes 6-way connector)	

SECTION 10 - ELECTRICAL

FIGURE 10-34. LIGHTS - ROADLIGHT WORKLIGHT HARNESS



ART_1001205248-A

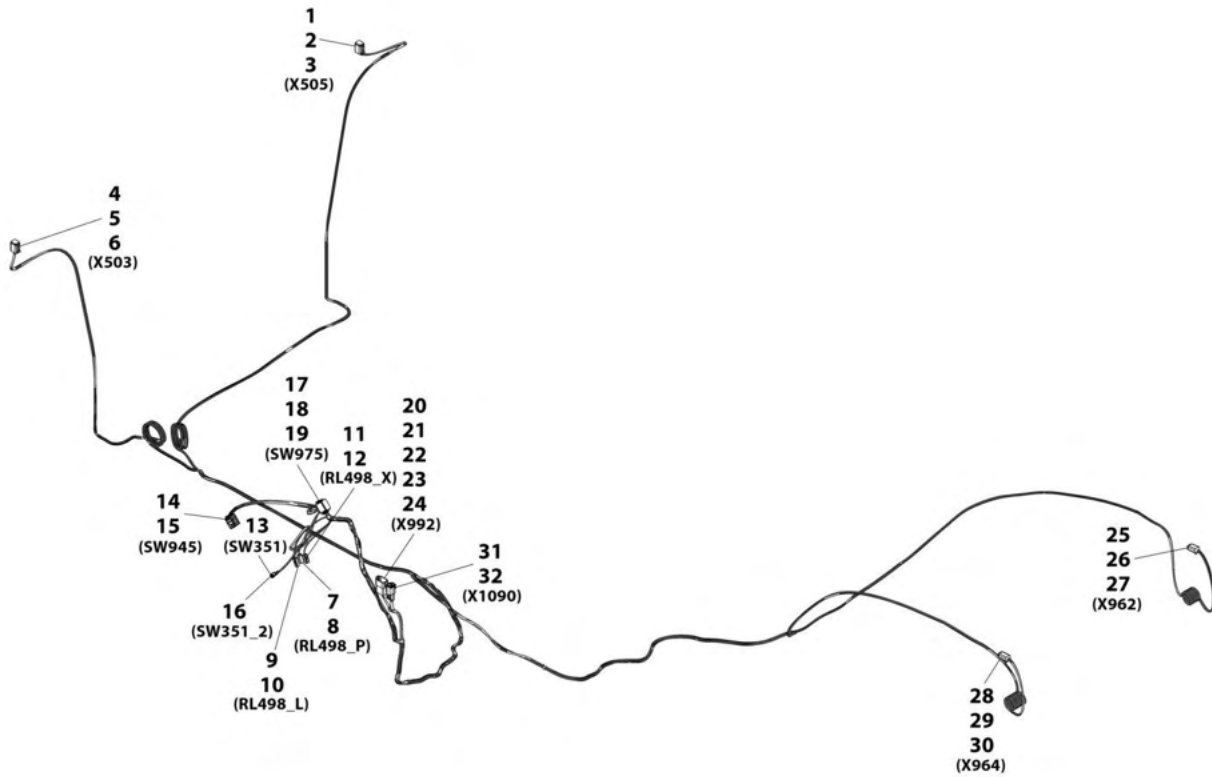
SECTION 10 - ELECTRICAL

FIGURE 10-34. LIGHTS - ROADLIGHT WORKLIGHT HARNESS

ITEM	PART NUMBER	QTY	DESCRIPTION	REV
	1001205248	Ref	Roadlight Worklight Harness	A
1	1001177198	1	Connector	
2	1001116712	12	Terminal	
3	4461018	1	Connector	
4	4460509	2	Terminal	
5	4461017	1	Connector	
6	4460508	2	Terminal	
7	4461018	1	Connector	
8	4460509	2	Terminal	
9	4460790	1	Terminal, Socket	
10	8220089	1	Seal	
11	4460790	1	Terminal, Socket	
12	8220089	1	Seal	

SECTION 10 - ELECTRICAL

FIGURE 10-35. LIGHTS - ROADLIGHT OPTION HARNESS



ART_1001178346-H

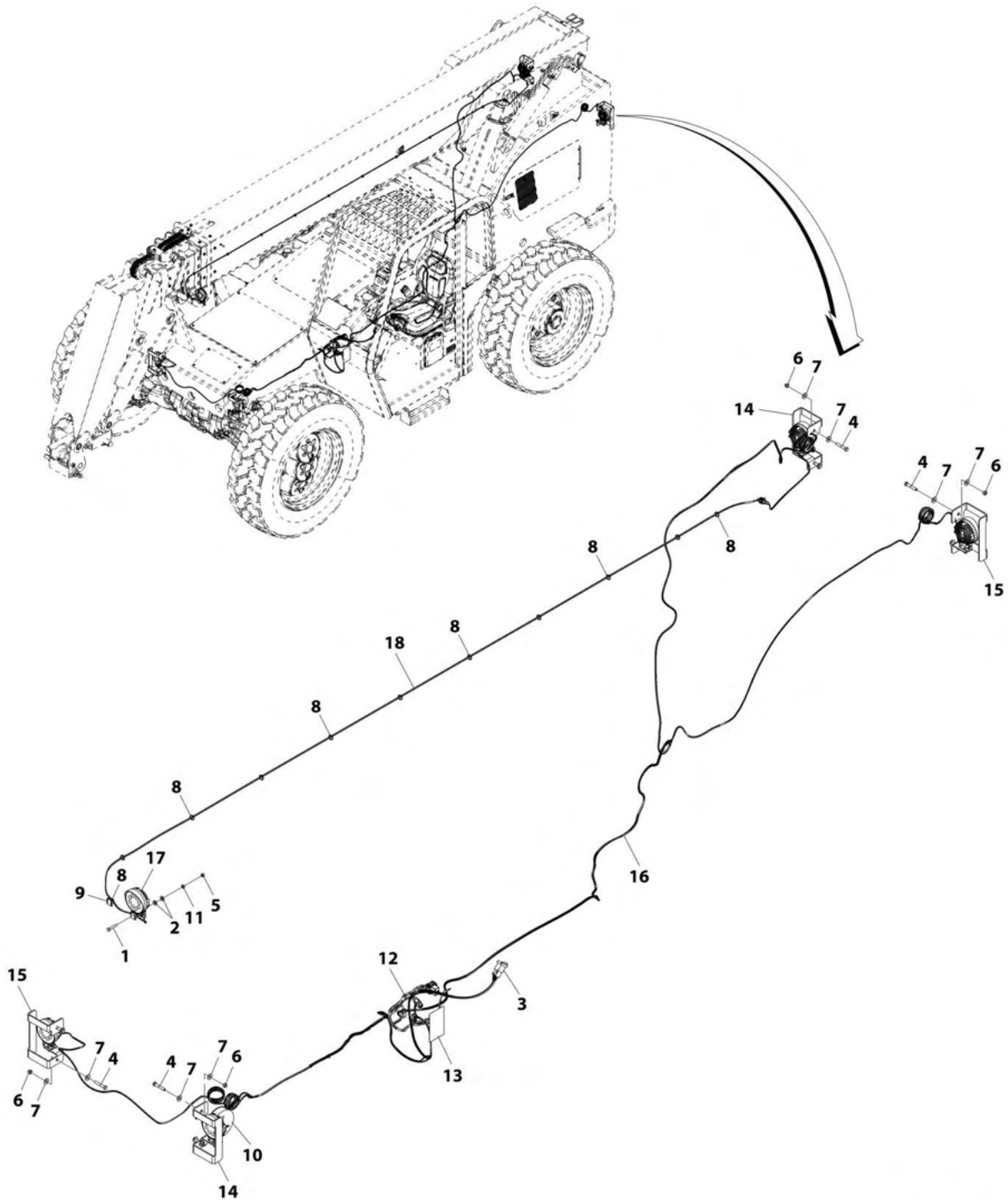
SECTION 10 - ELECTRICAL

FIGURE 10-35. LIGHTS - ROADLIGHT OPTION HARNESS

ITEM	PART NUMBER	QTY	DESCRIPTION	REV
	1001178346	Ref	ROAD LIGHT OPTION HARNESS	H
1	4460894	1	Connector	
2	4460465	5	Terminal	
3	4460466	1	Plug	
4	4460894	1	Connector	
5	4460465	5	Terminal	
6	4460466	1	Plug	
7	7116572	1	Connector	
8	1001116736	1	Terminal	
9	7116572	1	Connector	
10	1001116736	1	Terminal	
11	7116572	1	Connector	
12	1001116736	1	Terminal	
13	8220051	1	Terminal, Ring	
14	1001117079	1	Connector	
15	4460419	9	Terminal	
16	8220051	1	Terminal, Ring	
17	4460933	1	Connector	
18	4460465	8	Terminal	
19	4460466	4	Plug	
20	4460931	1	Connector	
21	4460466	3	Plug	
22	4460464	2	Terminal	
23	1001157891	2	Terminal	
24	4460941	1	Terminal	
25	4460884	1	Connector	
26	4460465	3	Terminal	
27	4460942	1	Terminal	
28	4460884	1	Connector	
29	4460465	3	Terminal	
30	4460942	1	Terminal	
31	4461017	1	Connector	
32	4460508	2	Terminal	

SECTION 10 - ELECTRICAL

FIGURE 10-36. LIGHTS - WORKLIGHT PACKAGE INSTALLATION (LED)



ART_1001237847

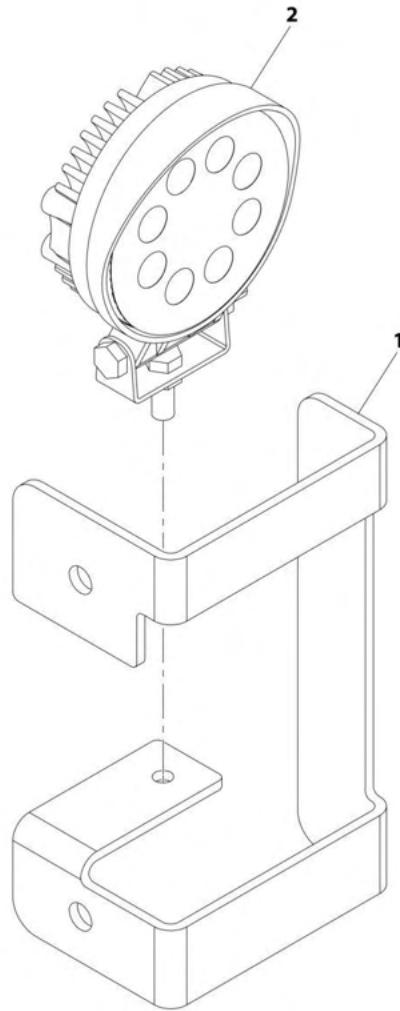
SECTION 10 - ELECTRICAL

FIGURE 10-36. LIGHTS - WORKLIGHT PACKAGE INSTALLATION (LED)

ITEM	PART NUMBER	QTY	DESCRIPTION	REV
	1001237847	Ref	LED Worklight Package Installation	C
1	0641514	1	Bolt 5/16X1-3/8	
2	4891600	AR	Washer 3/8	
3	8223059	1	Switch, Work Light	
4	8303771	8	Bolt 3/8X2-1/4	
5	8305626	1	Nut 5/16	
6	8305645	8	Nut 3/8	
7	8307204	16	Washer 3/8	
8	8584001	AR	Wrap, Tie	
9	8584018	4	Mount, Tie-Strap	
10	7124471	1	Conduit, 1X12.5	
11	88501005	AR	Nut 5/16	
12	1001205248	1	Harness, Roadlight Worklight (See Separate Breakdown in this Section)	
13	1001205264	1	Decal, Light Fuse Panel	
14	1001237853	2	Assembly, LED RH Worklight (See Separate Breakdown in this Section)	
15	1001237854	2	Assembly, LED LH Worklight (See Separate Breakdown in this Section)	
16	1001238199	1	Harness, Work Light Option (See Separate Breakdown in this Section)	
17	1001176337	1	Lamp, LED Worklight	
18	1001238111	1	Harness, Boom Worklight (See Separate Breakdown in this Section)	

SECTION 10 - ELECTRICAL

FIGURE 10-37. LIGHTS - WORKLIGHT ASSEMBLY - LED (RH)



ART_1001237853-A

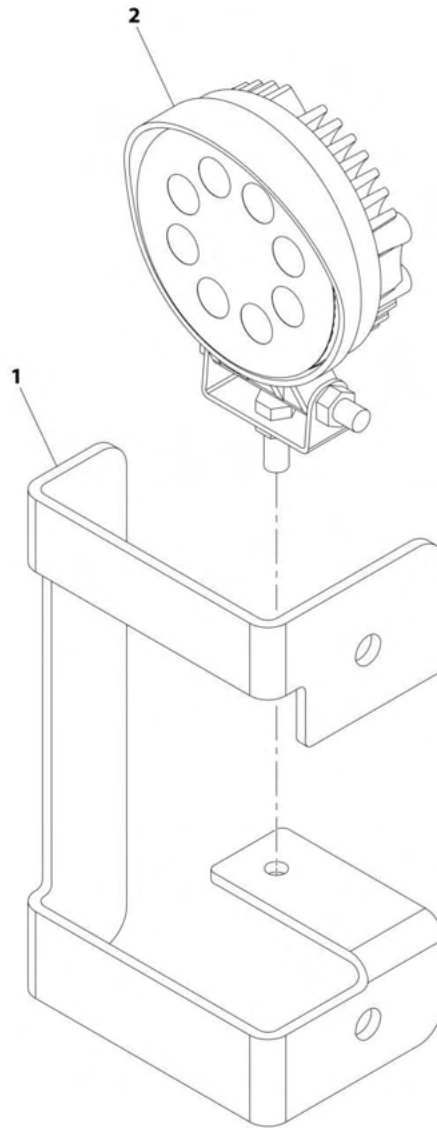
SECTION 10 - ELECTRICAL

FIGURE 10-37. LIGHTS - WORKLIGHT ASSEMBLY - LED (RH)

ITEM	PART NUMBER	QTY	DESCRIPTION	REV
	1001237853	Ref	RH LED Worklight Assembly	A
1	1001097079	1	Bracket, RH Worklight Mount	
2	1001176337	1	Worklight	

SECTION 10 - ELECTRICAL

FIGURE 10-38. LIGHTS - WORKLIGHT ASSEMBLY - LED (LH)



ART_1001237854-A

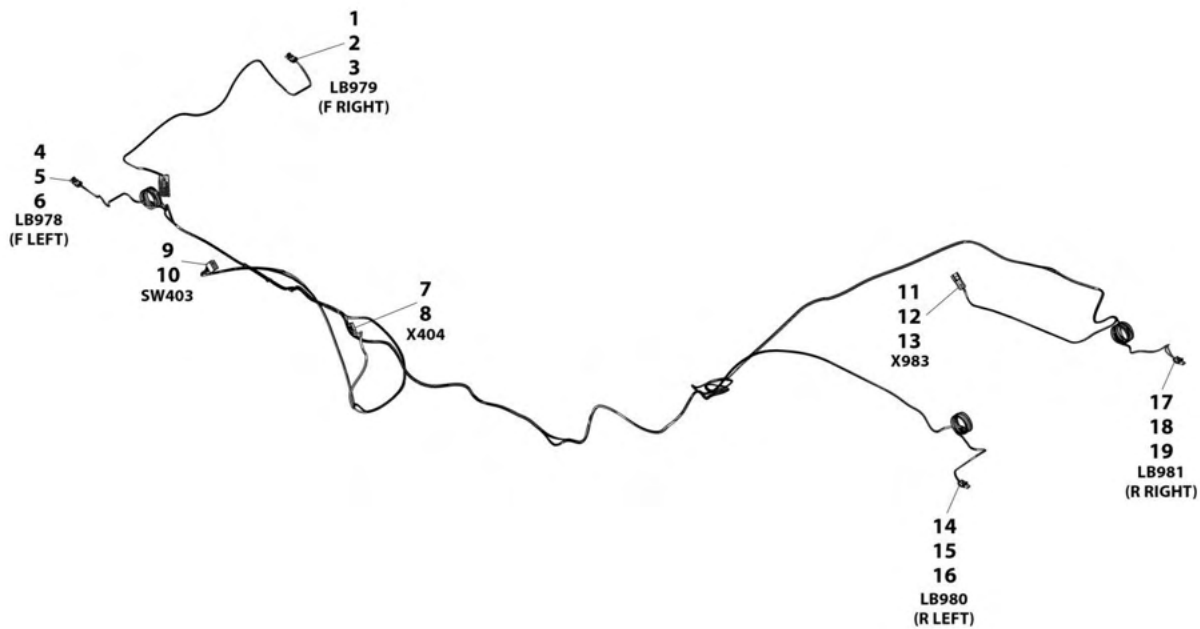
SECTION 10 - ELECTRICAL

FIGURE 10-38. LIGHTS - WORKLIGHT ASSEMBLY - LED (LH)

ITEM	PART NUMBER	QTY	DESCRIPTION	REV
	1001237854	Ref	LH LED Worklight Assembly	A
1	1001097080	1	Bracket, LH Worklight Mount	
2	1001176337	1	Worklight	

SECTION 10 - ELECTRICAL

FIGURE 10-39. LIGHTS - WORK LIGHT OPTION HARNESS



ART_1001238199-A

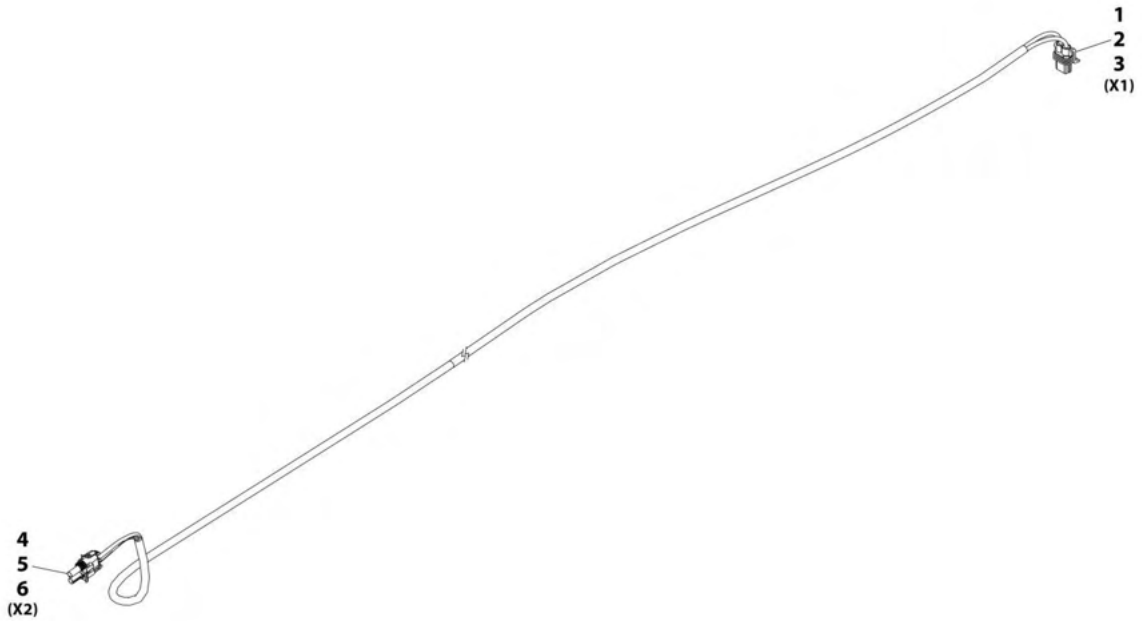
SECTION 10 - ELECTRICAL

FIGURE 10-39. LIGHTS - WORK LIGHT OPTION HARNESS

ITEM	PART NUMBER	QTY	DESCRIPTION	REV
	1001238199	Ref	Work Lighting Option Harness	A
1	4460742	1	Connector	
2	4460457	2	Terminal	
3	4460789	2	Seal	
4	4460742	1	Connector	
5	4460457	2	Terminal	
6	4460789	2	Seal	
7	4461018	1	Connector	
8	4460509	2	Terminal	
9	8220904	1	Connector	
10	4460419	6	Terminal	
11	1001117026	1	Connector	
12	1001116729	2	Terminal	
13	8220081	2	Seal	
14	4460742	1	Connector	
15	4460457	2	Terminal	
16	4460789	2	Seal	
17	4460742	1	Connector	
18	4460457	2	Terminal	
19	4460457	2	Seal	

SECTION 10 - ELECTRICAL

FIGURE 10-40. LIGHTS - WORKLIGHT BOOM HARNESS



ART_1001238111-A

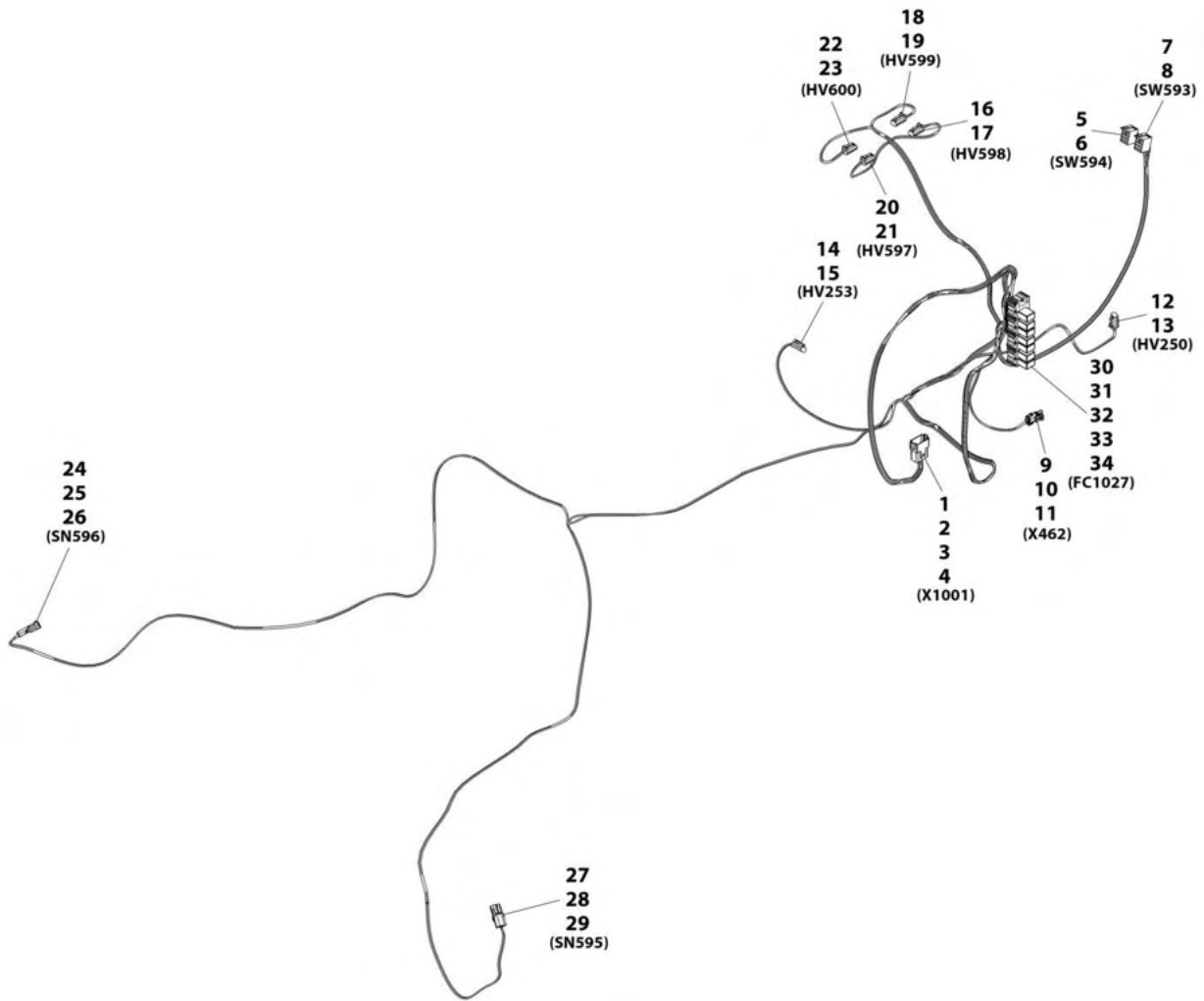
SECTION 10 - ELECTRICAL

FIGURE 10-40. LIGHTS - WORKLIGHT BOOM HARNESS

ITEM	PART NUMBER	QTY	DESCRIPTION	REV
	1001238111	Ref	Boom Worklight Harness	A
1	1001117021	1	Connector	
2	1001116747	2	Terminal	
3	4460789	2	Seal	
4	4460742	1	Connector	
5	4460457	2	Terminal	
6	4460789	2	Seal	

SECTION 10 - ELECTRICAL

FIGURE 10-41. LOGIC HARNESS



ART_1001251503

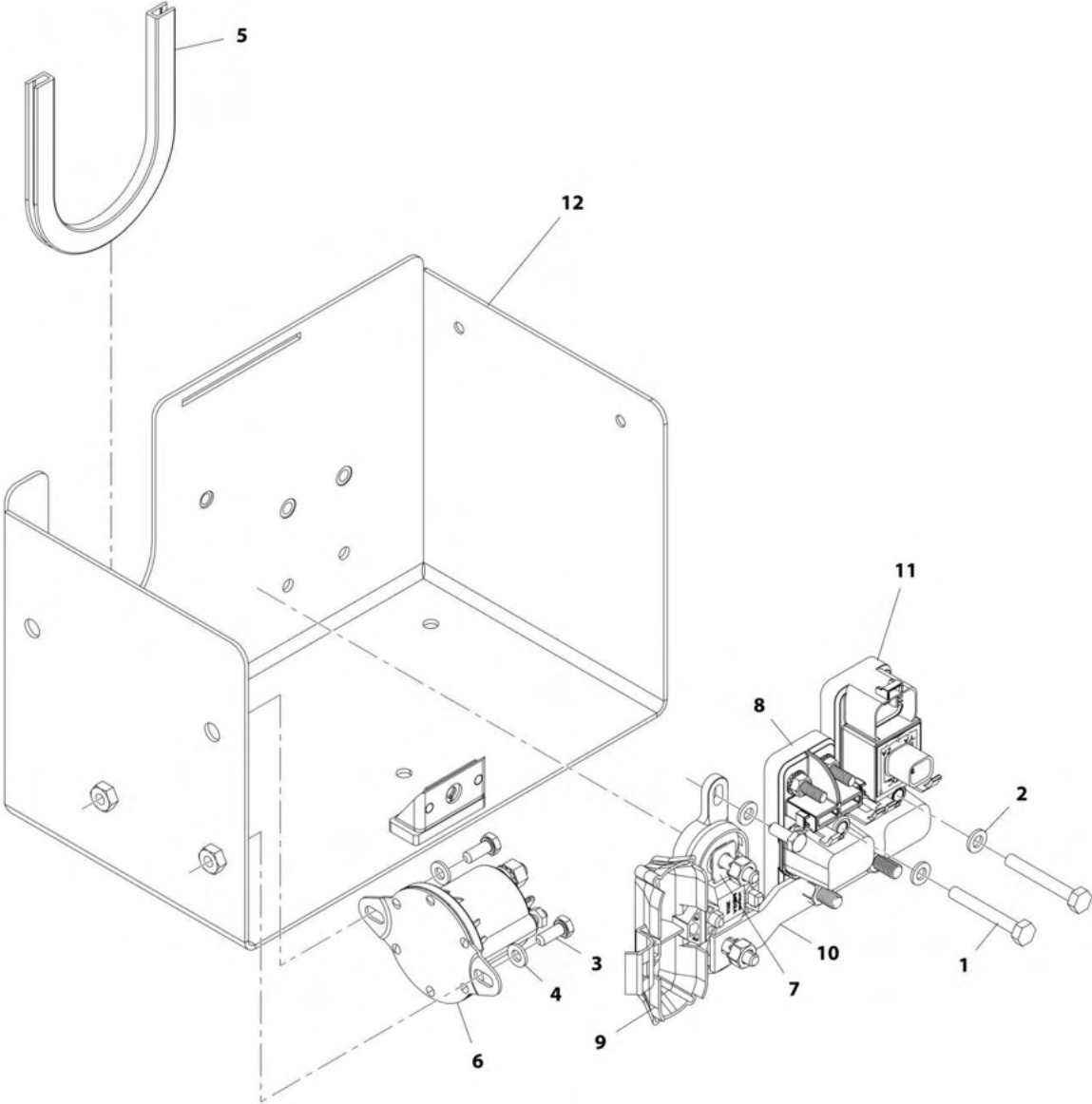
SECTION 10 - ELECTRICAL

FIGURE 10-41. LOGIC HARNESS

ITEM	PART NUMBER	QTY	DESCRIPTION	REV
	1001251503	Ref	Logic Harness	C
1	4460970	1	Connector	
2	4460941	3	Terminal	
3	4460464	5	Terminal	
4	4460466	4	Plug	
5	8220904	1	Connector	
6	1001116720	3	Terminal	
7	8820904	1	Connector	
8	1001116720	3	Terminal	
9	4460742	1	Connector	
10	4460457	2	Terminal	
11	4460458	2	Seal	
12	4460891	1	Connector	
13	4460465	2	Terminal	
14	4460891	1	Connector	
15	4460465	2	Terminal	
16	4460891	1	Connector	
17	4460465	2	Terminal	
18	4460891	1	Connector	
19	4460465	2	Terminal	
20	4460891	1	Connector	
21	4460465	2	Terminal	
22	4460891	1	Connector	
23	4460465	2	Terminal	
24	4461157	1	Connector	
25	4460475	2	Terminal	
26	4460458	2	Seal	
27	4461157	1	Connector	
28	4460475	2	Terminal	
29	4460458	2	Seal	
30	4461103	8	Relay, Locking Wedge	
31	8229243	2	Fuse, 7.5 AMP Mini	
32	1001177198	4	Electric Assembly	
33	1001200845	1	Mounting Leg	
34	1001205172	7	Relay	

SECTION 10 - ELECTRICAL

FIGURE 10-42. RELAY PANEL INSTALLATION



ART_1001170233-F

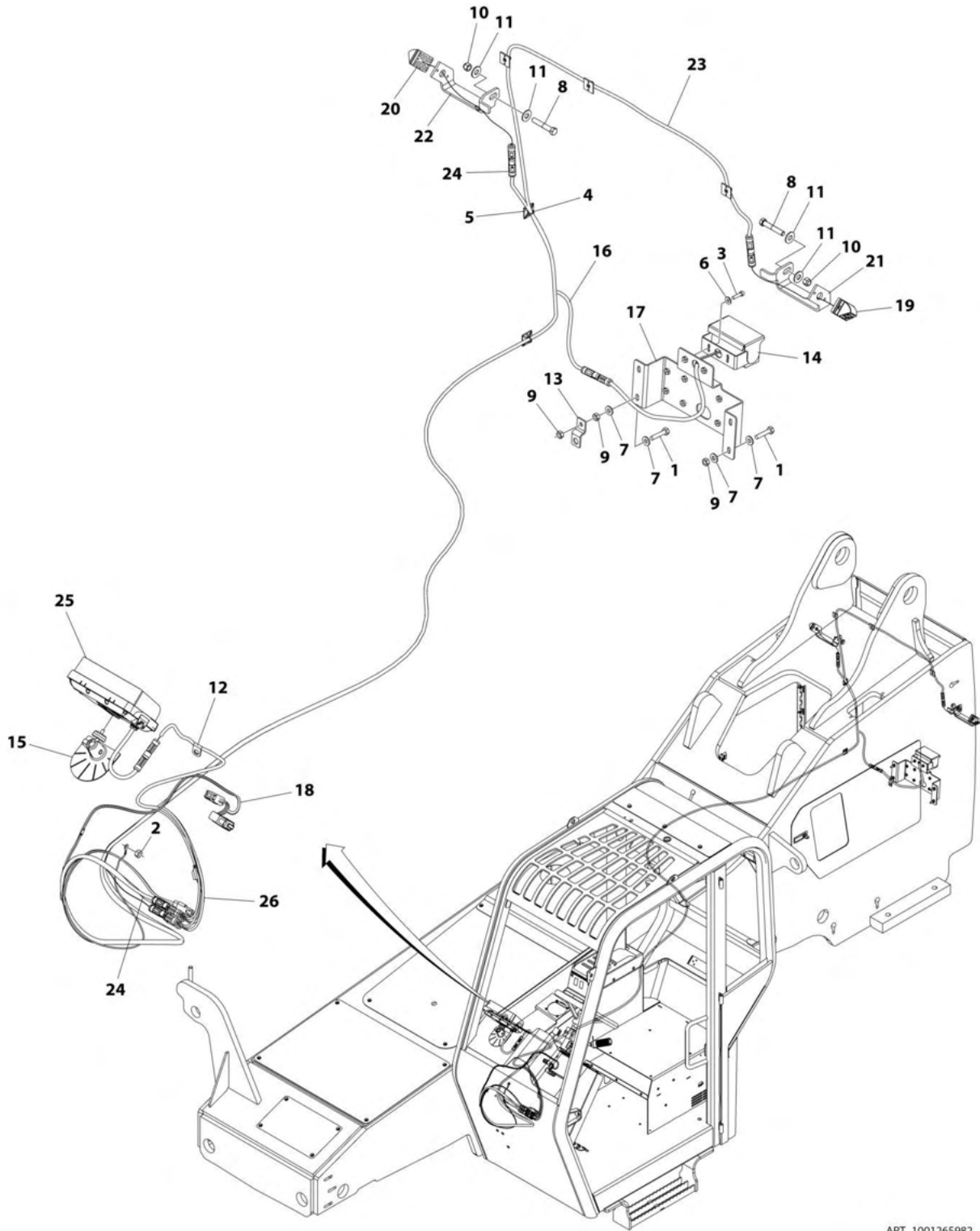
SECTION 10 - ELECTRICAL

FIGURE 10-42. RELAY PANEL INSTALLATION

ITEM	PART NUMBER	QTY	DESCRIPTION	REV
	1001170233	Ref	Relay Panel Installation	F
1	0641415	2	Bolt 1/4X1-7/8	
2	4761400	2	Washer 1/4	
3	8303545	4	Bolt M6X14	
4	8307219	4	Washer M6	
5	90206196	257 mm	Trim, Vinyl Edge	
6	1001186417	1	Relay, 150 Amp	
7	1001118245	1	Fuse, 250 Amp	
8	1001127699	1	Fuse, Power Module	
9	1001127700	1	Holder, AMG Fuse	
10	1001129615	1	Bar, Buss Connector	
11	1001184316	1	Relay, Power Module	
12	1001170230	1	Bracket, Relay Mount	

SECTION 10 - ELECTRICAL

FIGURE 10-43. REVERSE CAMERA



ART_1001265982

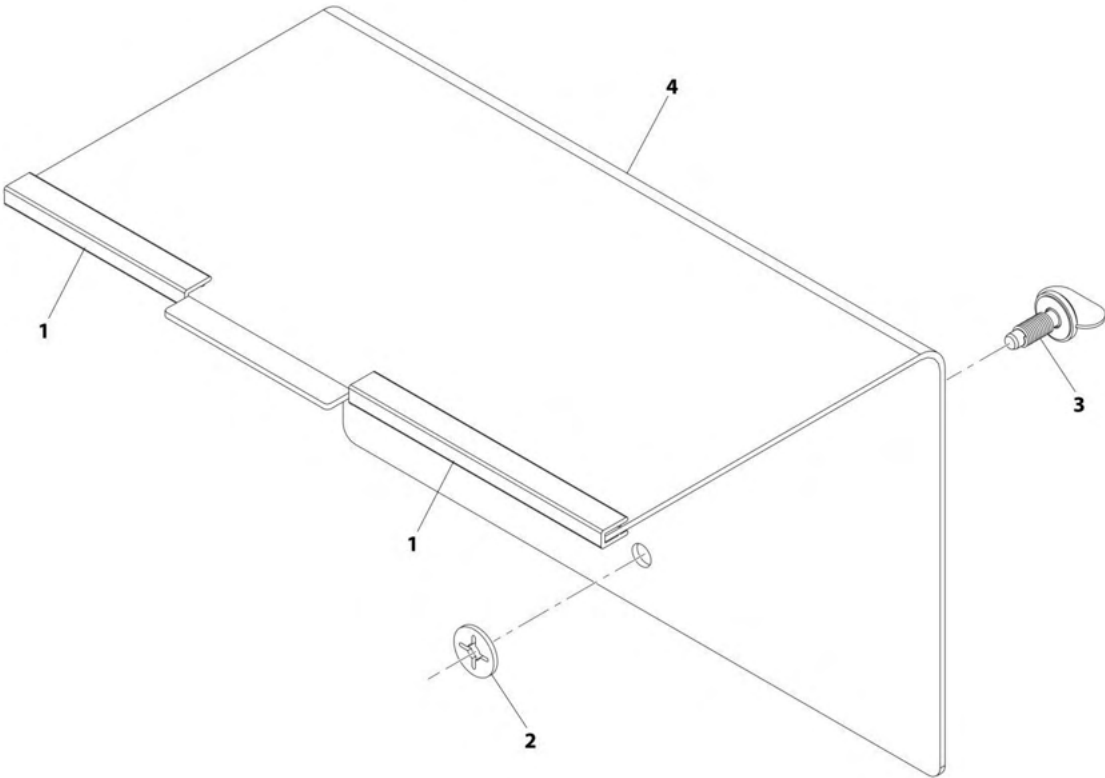
SECTION 10 - ELECTRICAL

FIGURE 10-43. REVERSE CAMERA

ITEM	PART NUMBER	QTY	DESCRIPTION	REV
	1001265982	Ref	SKYTRAK BACKUP CAMERA INSTALLATION	A
1	0641410	4	Bolt 1/4 x 1	
2	3311401	1	Nut 1/4	
3	3931012	2	Capscrew, #10 x 3/4	
4	4240032	1	Tie-Strap	
5	4460234	1	Mount, Tie-Strap	
6	4711000	2	Washer M10	
7	4711400	8	Washer 1/4	
8	8303771	1	Bolt 3/8 x 2-1/4	
9	8305004	5	Nut 1/4	
10	8305645	2	Nut 3/8	
11	8307204	4	Washer 3/8	
12	8406010	1	Clip	
13	1001204692	1	Bracket	
14	1001233174	1	Camera, Rear View	
15	1001233217	1	Bracket, Monitor Mount	
16	1001233434	1	Harness, Extension Cable Camera	
17	1001233828	1	Bracket, Camera Mount	
18	1001233976	1	Harness, Rear Camera Option (See Separate Breakdown in this Section)	
19	1001264534	1	Camera (LH)	
20	1001264536	1	Camera (RH)	
21	1001265679	1	Bracket, Camera (LH)	
22	1001265680	1	Bracket, Camera (RH)	
23	1001265979	1	Harness, Extension (LH)	
24	1001265980	1	Harness, Extension (RH)	
25	1001265986	1	Monitor, Display	
26	1001265987	1	Harness, Monitor/Display	

SECTION 10 - ELECTRICAL

FIGURE 10-44. RELAY PANEL COVER ASSEMBLY



ART_1001170234-B

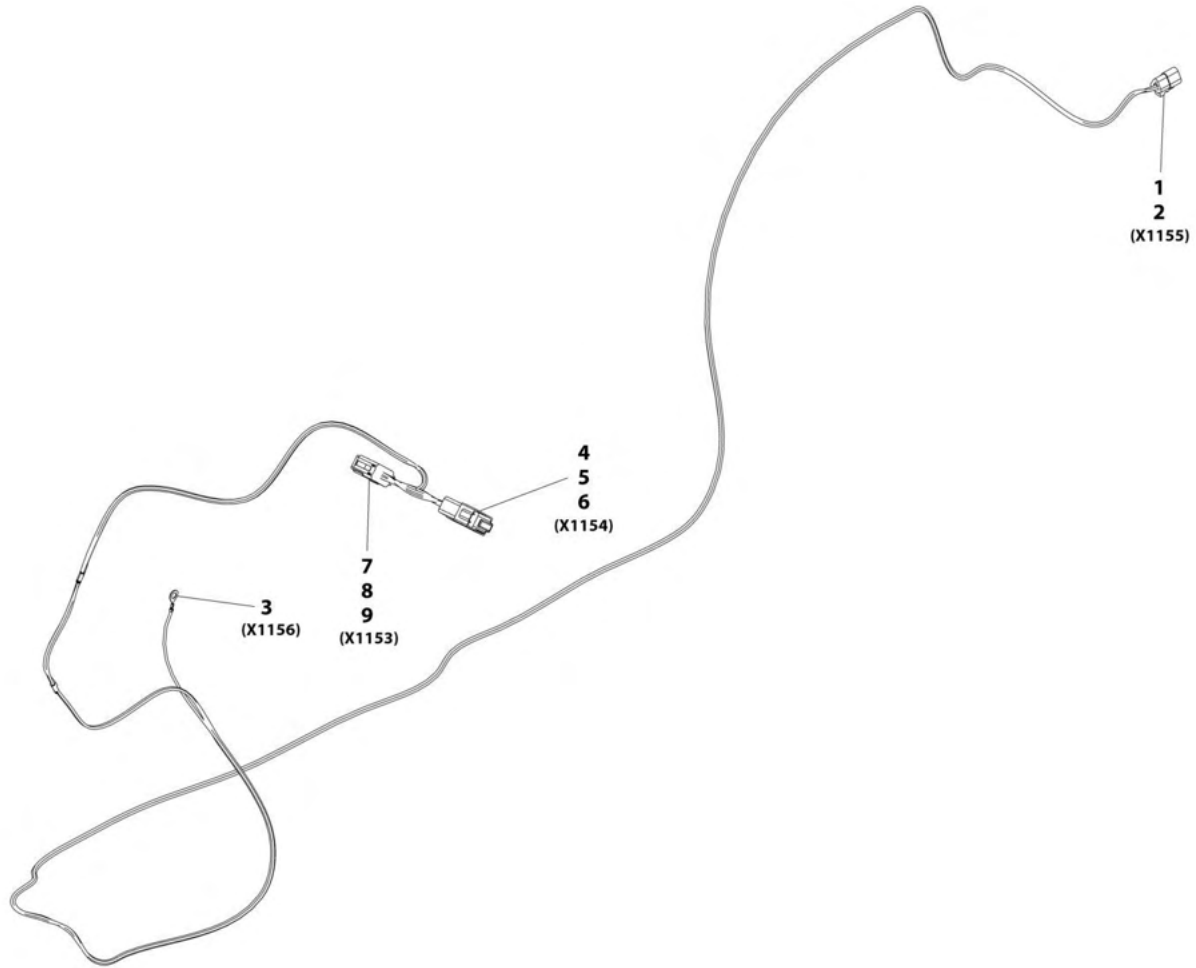
SECTION 10 - ELECTRICAL

FIGURE 10-44. RELAY PANEL COVER ASSEMBLY

ITEM	PART NUMBER	QTY	DESCRIPTION	REV
	1001170234	Ref	Relay Panel Cover Assembly	B
1	90206196	220 mm	Trim, Vinyl Edge	
2	1001135770	1	Washer, Push-On Retainer	
3	1001135777	1	Screw, Fastener Assembly Wing Head	
4	1001170235	1	Cover, Relay Panel	

SECTION 10 - ELECTRICAL

FIGURE 10-45. REVERSE CAMERA OPTION HARNESS



ART_1001233976-A

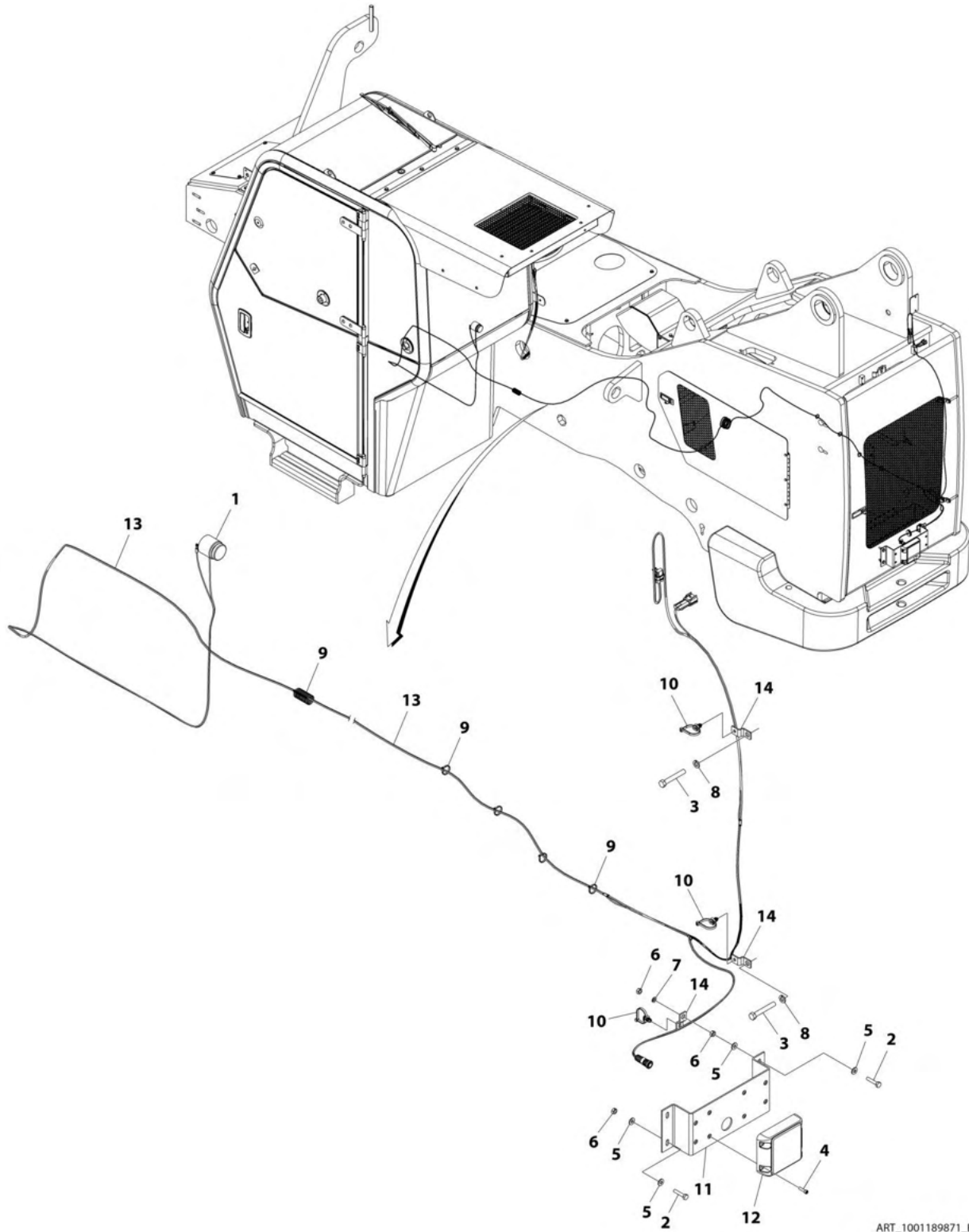
SECTION 10 - ELECTRICAL

FIGURE 10-45. REVERSE CAMERA OPTION HARNESS

ITEM	PART NUMBER	QTY	DESCRIPTION	REV
	1001233976	Ref	Skytrak Rear Camera Option Harness	A
1	4460539	1	Connector	
2	4460465	3	Terminal	
3	1001207173	1	Terminal, Ring	
4	4460970	1	Connector	
5	4460464	9	Terminal	
6	4460466	3	Plug	
7	4460933	1	Connector	
8	4460465	9	Terminal	
9	4460466	3	Plug	

SECTION 10 - ELECTRICAL

FIGURE 10-46. REVERSE SENSOR INSTALLATION



ART_1001189871_B

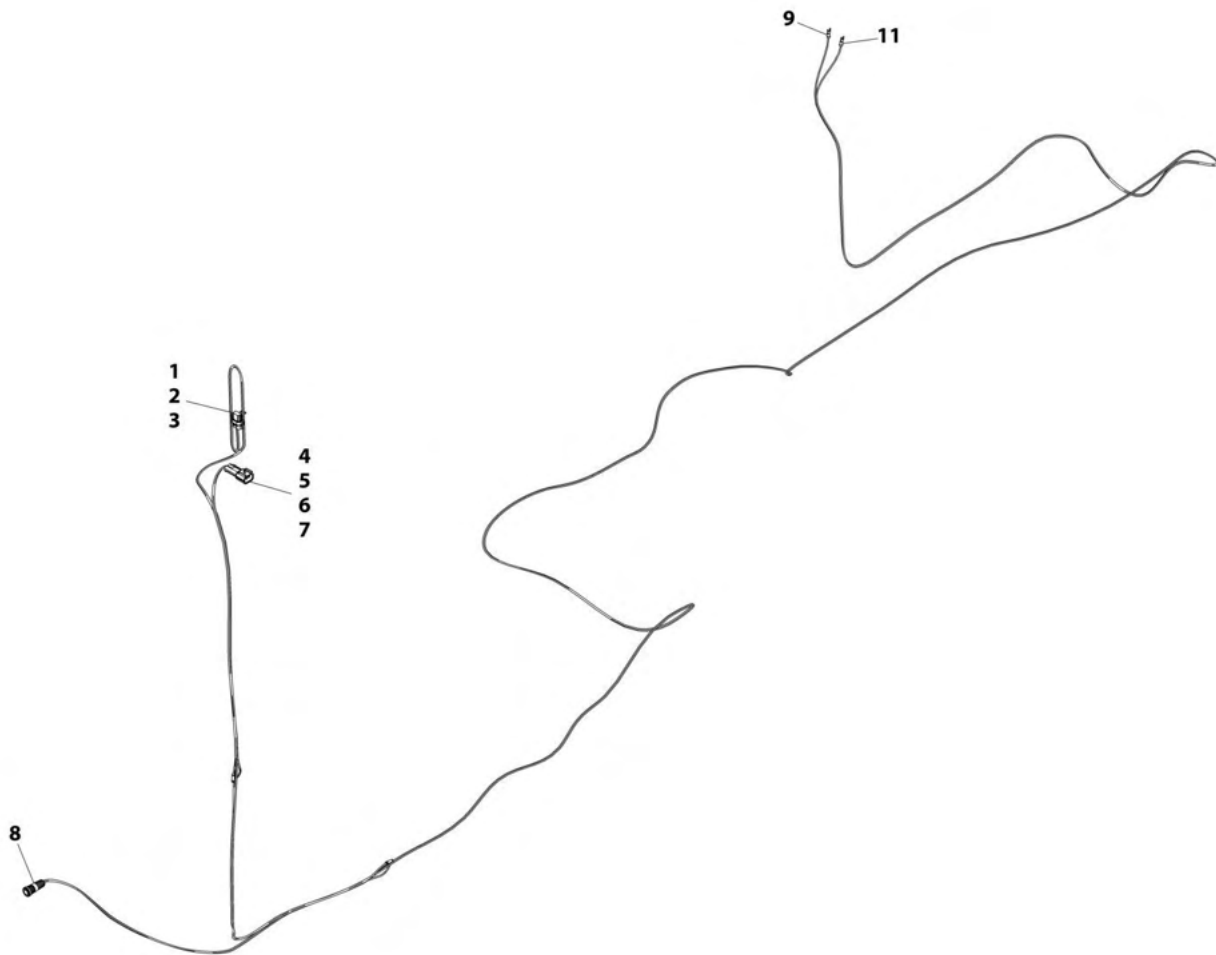
SECTION 10 - ELECTRICAL

FIGURE 10-46. REVERSE SENSOR INSTALLATION

ITEM	PART NUMBER	QTY	DESCRIPTION	REV
	1001189871	Ref	REVERSE SENSOR INSTALLATION	B
1	0140011	1	Audible, Signal Device	
2	0641410	4	Bolt 1/4 x 1	
3	0641620	2	Bolt 3/8 x 2	
4	3931012	4	Capscrew #10 x 3/4	
5	4711400	8	Washer 1/4	
6	8305004	5	Nut 1/4	
7	8307002	1	Washer 1/4	
8	8307005	2	Washer 3/8	
9	8584001	AR	Wrap, Tie 3/16	
10	1001004720	3	Strap, Cable	
11	1001154375	1	Bracket	
12	1001247421	1	Control, Reverse Sensor	
13	1001189886	1	Harness, Reverse Sensor (See Separate Breakdown in this Section)	
14	1001204692	3	Bracket	

SECTION 10 - ELECTRICAL

FIGURE 10-47. REVERSE SENSOR HARNESS



ART_1001189886-B

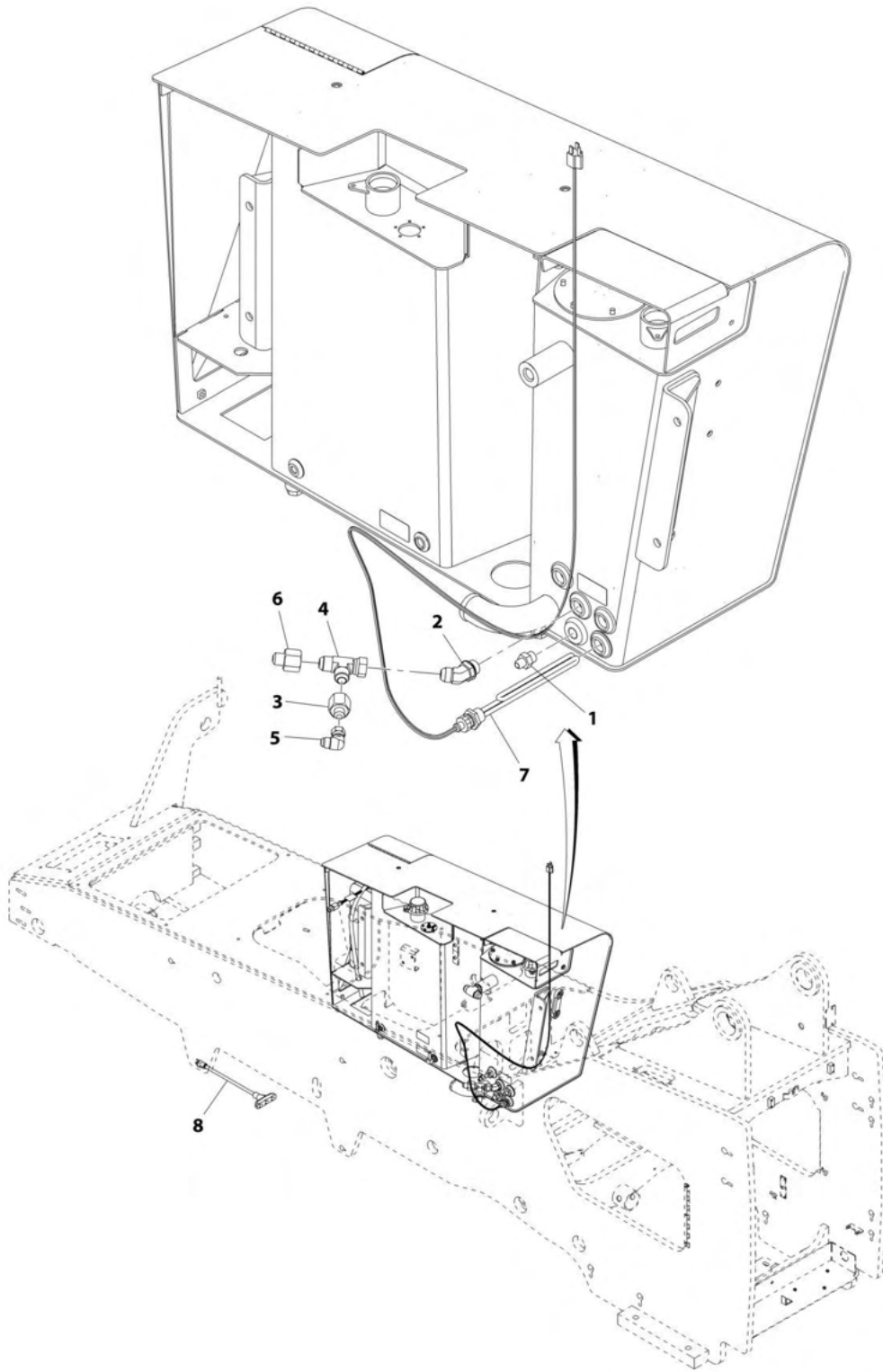
SECTION 10 - ELECTRICAL

FIGURE 10-47. REVERSE SENSOR HARNESS

ITEM	PART NUMBER	QTY	DESCRIPTION	REV
	1001189886	Ref	Reverse Sensor Harness	B
1	1001117021	1	Connector	
2	1001116728	2	Terminal	
3	4460458	2	Seal	
4	1001117026	1	Connector	
5	8220890	1	Lock, Secondary	
6	1001116745	2	Terminal	
7	4460458	2	Seal	
8	1001175733	1	Connector	
9	4460183	1	Fork Terminal	
11	4460183	1	Fork Terminal	

SECTION 10 - ELECTRICAL

FIGURE 10-48. TANK HEATER INSTALLATION - HYDRAULIC TANK



ART_1001233964-A

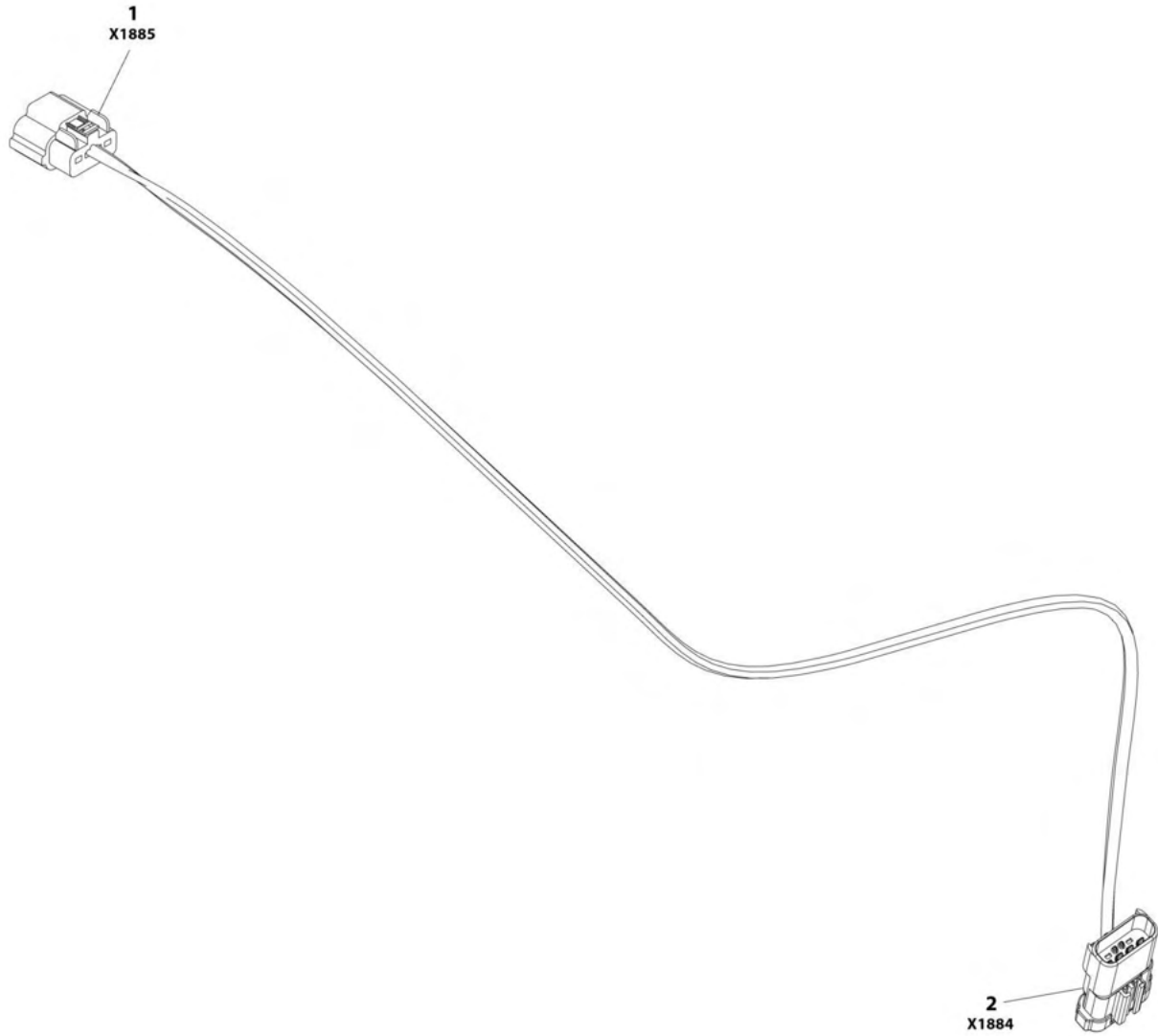
SECTION 10 - ELECTRICAL

FIGURE 10-48. TANK HEATER INSTALLATION - HYDRAULIC TANK

ITEM	PART NUMBER	QTY	DESCRIPTION	REV
	1001233964	Ref	Hydraulic Tank Heater Installation	A
1	2220374	1	Connector	
2	2220498	1	Adapter, 45	
3	2220622	1	Reducer	
4	2220700	1	Tee Fitting	
5	8765204	1	Elbow	
6	1001094696	1	Adapter	
7	1001105886	1	Immersion Heater	
8	1060626	1	3 Way Plug	

SECTION 10 - ELECTRICAL

FIGURE 10-49. TBAP HARNESS



ART_1001184835

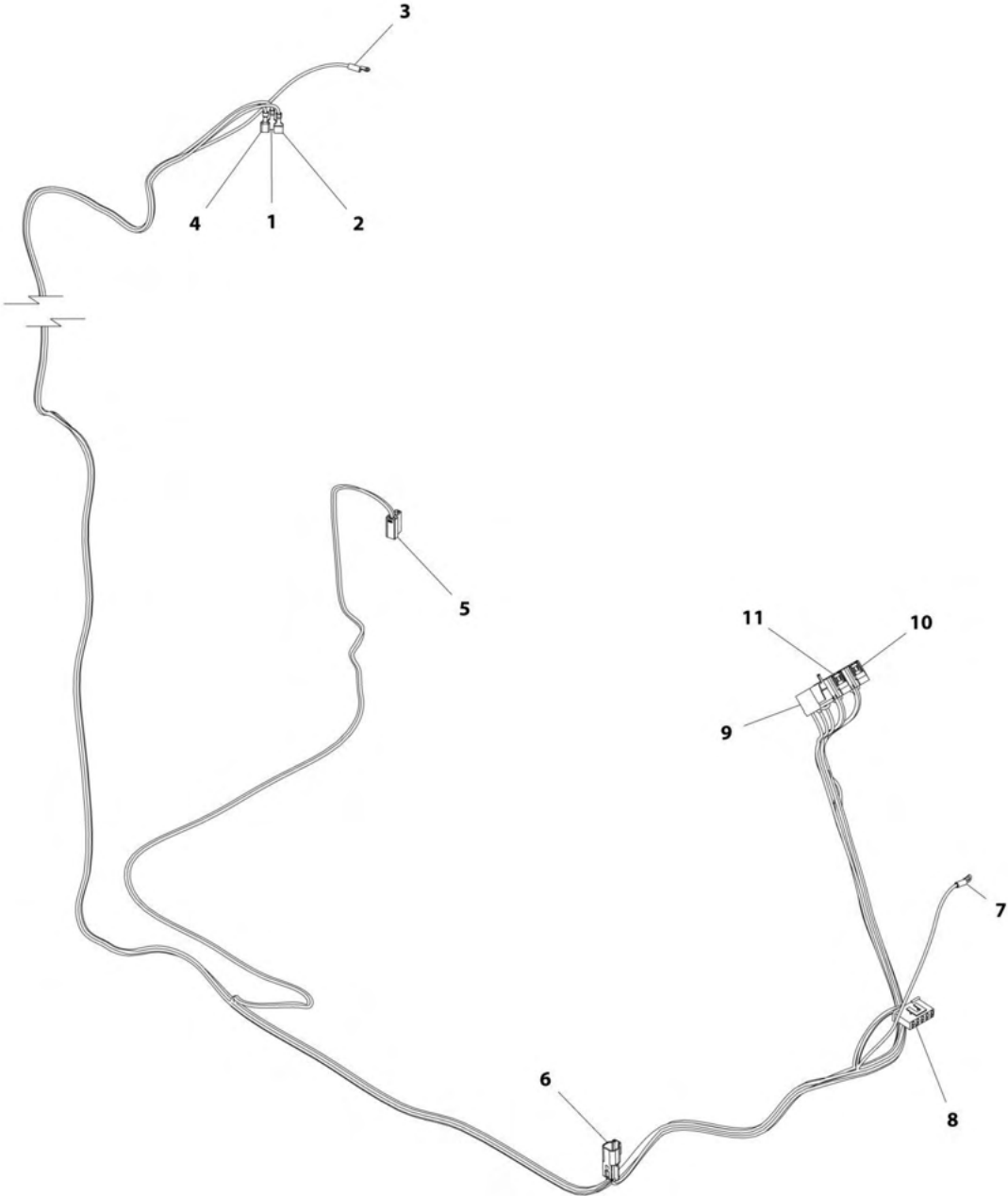
SECTION 10 - ELECTRICAL

FIGURE 10-49. TBAP HARNESS

ITEM	PART NUMBER	QTY	DESCRIPTION	REV
1	1001184835	Ref	TBAP Harness	C
	10011184495	1	Connector	
	1001260509	4	Terminal	
	1001184496	4	Seal	
2	1001184491	1	Connector	
	1001184493	4	Terminal	

SECTION 10 - ELECTRICAL

FIGURE 10-50. WIPER HARNESS



ART_1001178349-D

SECTION 10 - ELECTRICAL

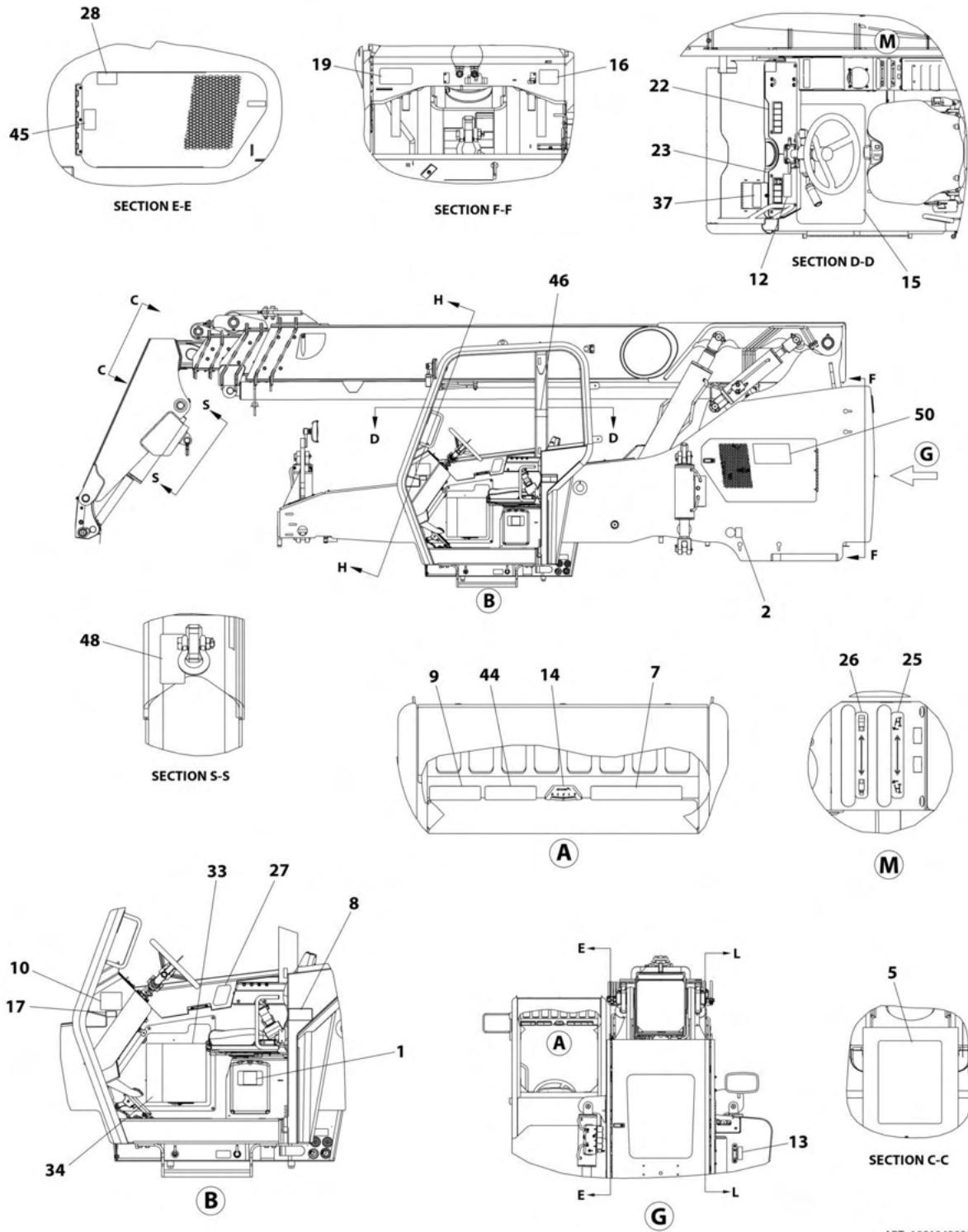
FIGURE 10-50. WIPER HARNESS

ITEM	PART NUMBER	QTY	DESCRIPTION	REV
	1001178349	Ref	Wiper Harness	D
1	8220051	1	Terminal	
2	8220051	1	Terminal	
3	8220035	1	Terminal, Ring	
4	8220051	1	Terminal	
5	4460994	1	Housing, Terminal	
	1001169816	2	Terminal	
6	4460897	1	Connector	
	80604017	1	Lock, Wedge	
	4460464	2	Terminal	
7	8220007	1	Terminal, Ring	
8	1001127066	1	Connector	
	1001116720	3	Terminal	
9	8220904	1	Connector	
	4460419	5	Terminal	
10	1001117081	1	Connector	
	4460419	9	Terminal	
11	1001117081	1	Connector	
	4460419	9	Terminal	

SECTION 11 - DECALS

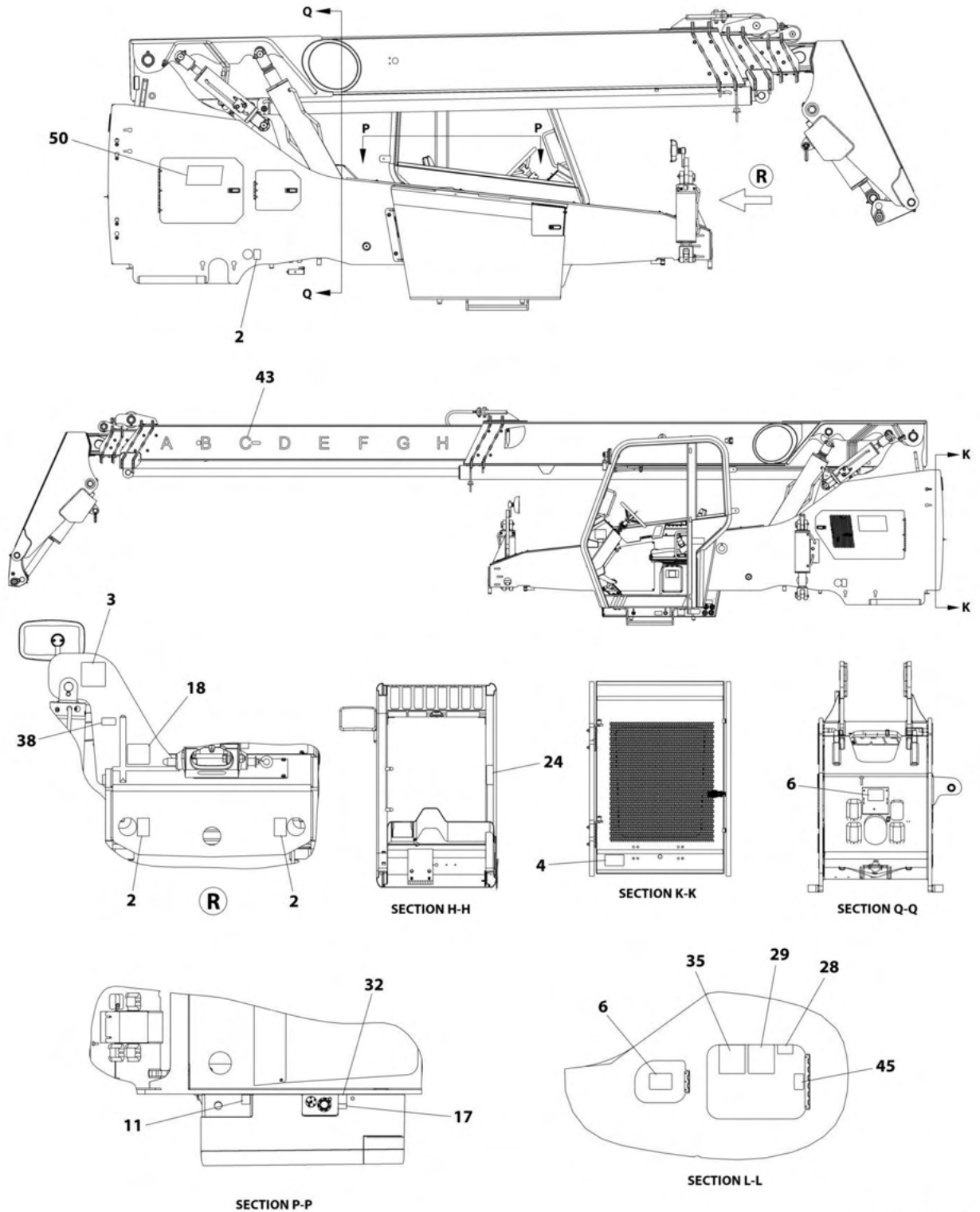
SECTION 11 - DECALS

FIGURE 11-1. DECALS INSTALLATION (74HP) (ANSI)



ART_1001242930_10F2

SECTION 11 - DECALS



ART_1001242930_20F2

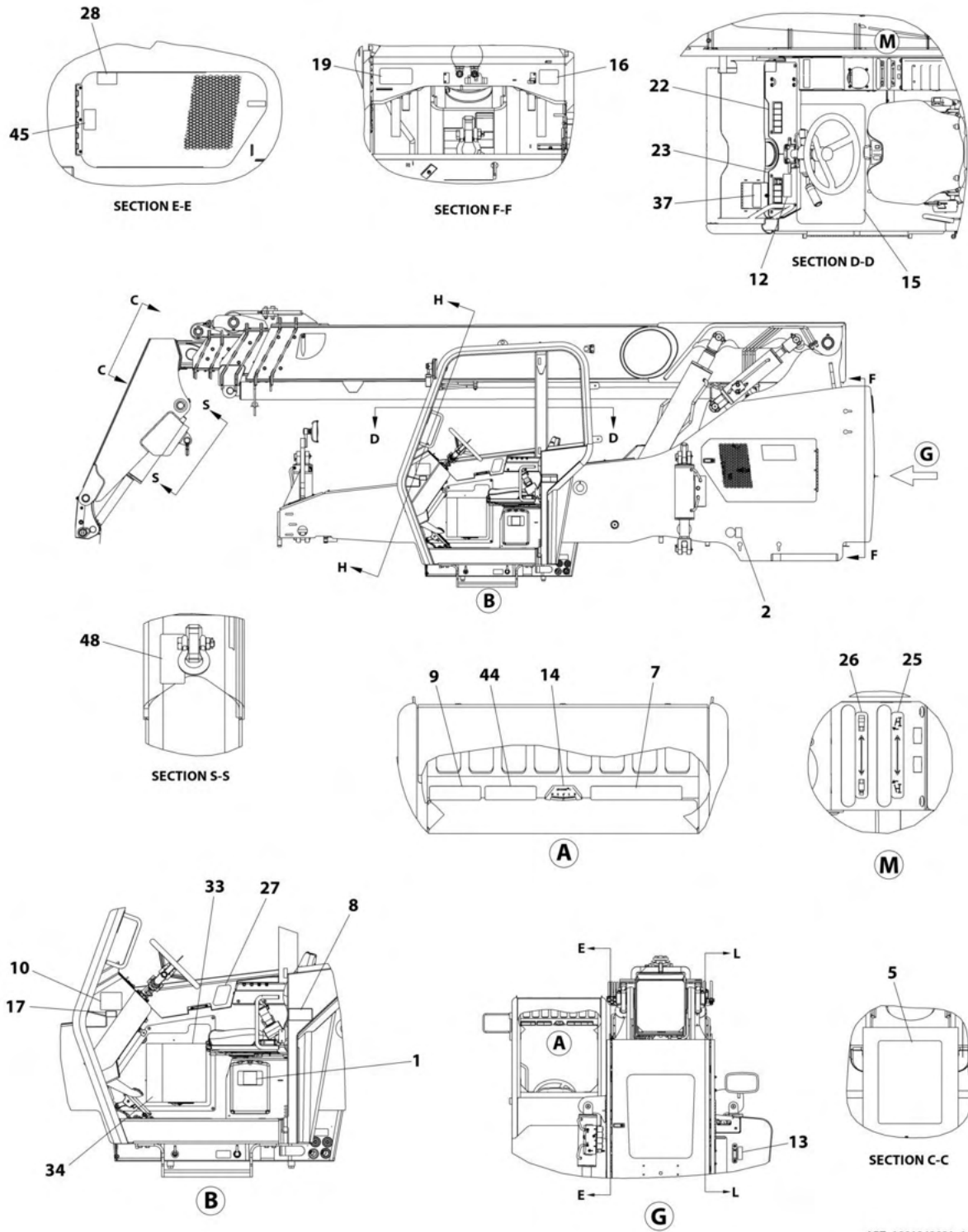
SECTION 11 - DECALS

FIGURE 11-1. DECALS INSTALLATION (74HP) (ANSI)

ITEM	PART NUMBER	QTY	DESCRIPTION	REV
	1001242930	Ref	DECAL INSTALLATION (ANSI) 74HP	E
1	1701640	1	Decal, Manual	
2	1702300	4	Decal, Tie Down	
3	See Note	NSS	Decal, Barcode (Note: Not Available for Purchase)	
4	1706296	1	Decal, Battery Hazard	
5	1706298	1	Decal, Carry Personnel	
6	1706300	2	Decal, Ether Starting Warning	
7	1706306	1	Decal, Tip Over Warning	
8	1706768	1	Decal, No Riders	
9	1706850	1	Decal, Crush Hazard Warning	
10	3251813	1	Decal, USA	
11	4100181	1	Decal, Hydraulic Oil Fill	
12	4107971	1	Decal, Outrigger Contact	
13	4108302	1	Decal, Hydraulic Oil Level	
14	8466306	1	Gage, Tilt Angle	
15	10139087	1	Tread, Safety	
16	1001109053	1	Decal, Coolant Fill	
17	1001125387	2	Decal, Ultra Low Sulfur Fuel	
18	1001131271	1	Decal, Telehandlers Patent	
19	1001139578	1	Decal, Hot Fluid Warning	
22	1001158272	1	Decal, RH Overlay	
23	1001158319	1	Decal, LH Overlay	
24	1001162734	1	Decal, Joystick Control	
25	1001162735	1	Decal, Sway Control	
26	1001162736	1	Decal, Auxiliary Control	
27	1001162737	1	Decal, Outrigger Control	
28	1001202626	2	Decal, 74HP	
29	1001202627	1	Decal, Maintenance Chart	
32	1001189017	1	Decal, Diesel Fuel Fill	
33	1001189327	1	Decal, Main Fuse Panel	
34	1001189328	1	Decal, Fuse Panel	
35	1001254736	1	Decal, Lubrication Chart	
37	1001218659	1	Decal, Brake Fluid	
38	1001223453	1	Decal, ICES (CAN)	
39	See Note	NSS	SN Plate (Note: Stamped Part - Not Available for Purchase)	
43	4107442	1	Decal, Boom Extend Letters	
44	1706299	1	Decal, Contacting Power Lines Warning	
45	1706301	2	Decal, Keep Clear of Rotating Parts Warning	
46	1001231801	1	Decal, Warning Prop 65 Diesel	
48	1001207217	1	Decal, Danger Swinging Load	
50	1001270753	2	Decal, 74 HP	

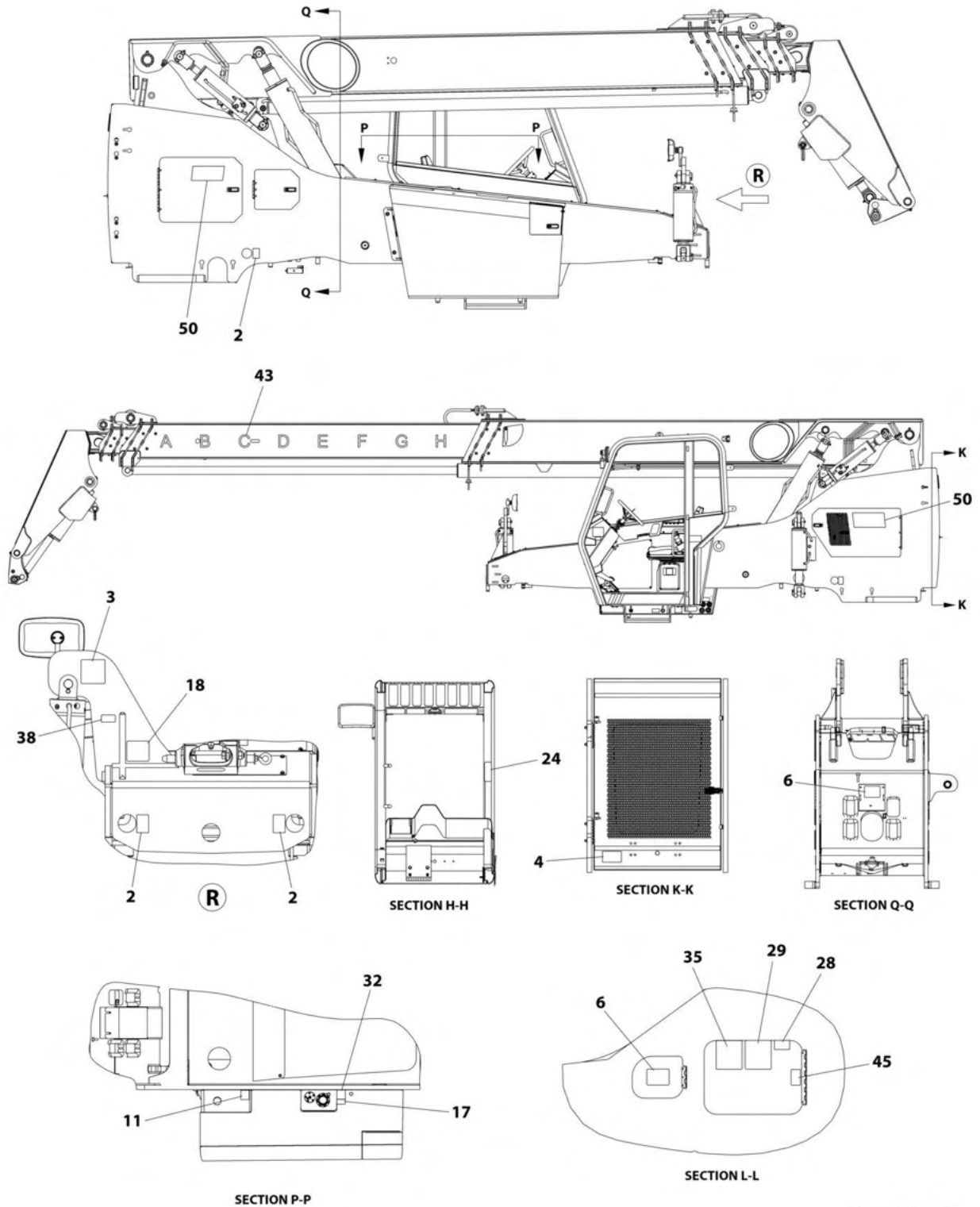
SECTION 11 - DECALS

FIGURE 11-2. DECALS INSTALLATION (74HP) (ENGLISH/FRENCH)



ART_1001242931_1OF2

SECTION 11 - DECALS



ART_1001242931_2OF2

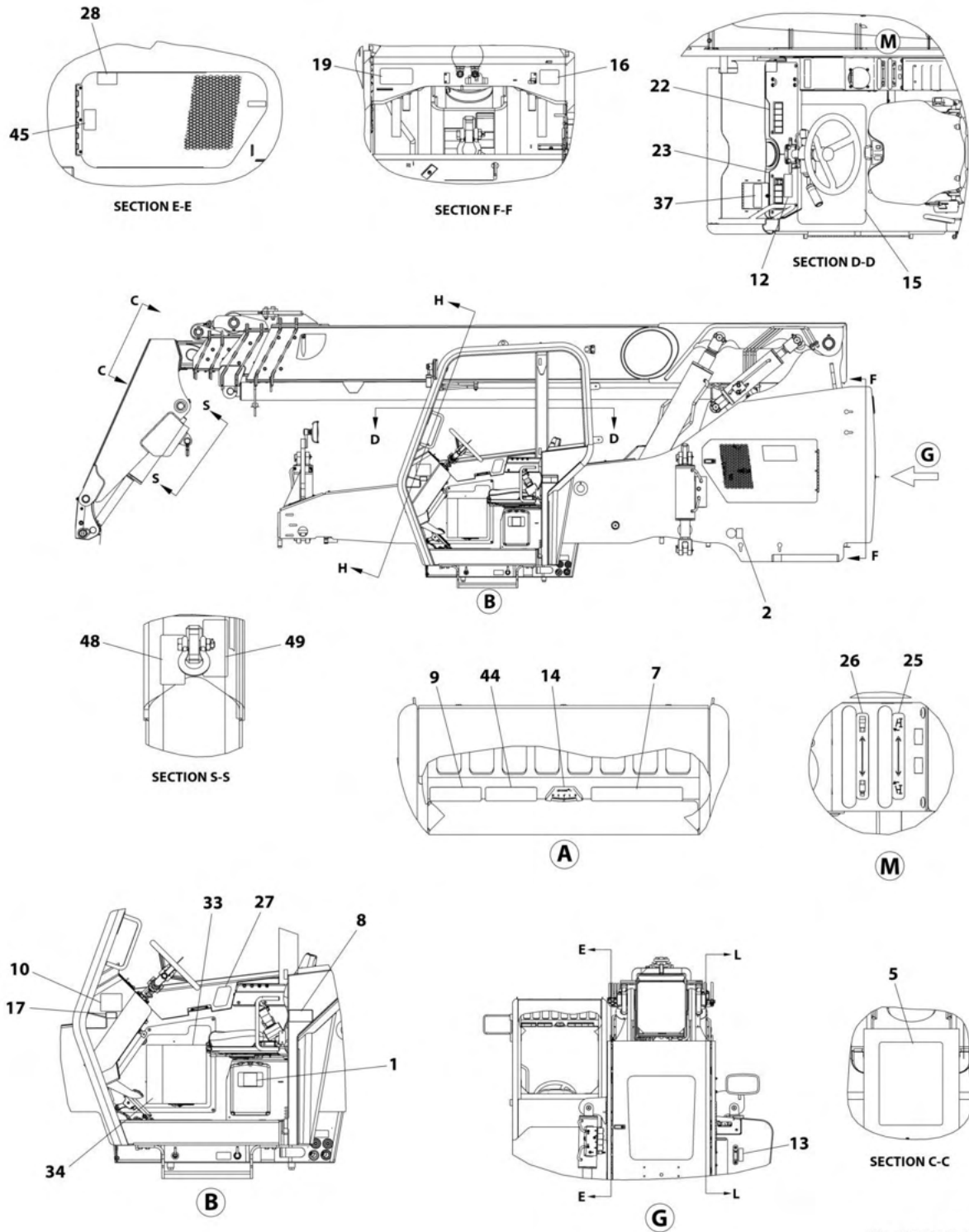
SECTION 11 - DECALS

FIGURE 11-2. DECALS INSTALLATION (74HP) (ENGLISH/FRENCH)

ITEM	PART NUMBER	QTY	DESCRIPTION	REV
	1001242931	Ref	DECAL INSTALLATION (ENGLISH/FRENCH) 74HP	E
1	1701640	1	Decal, Manual	
2	1702300	4	Decal, Tie Down	
3	See Note	NSS	Decal, Bar Code (Note: Not Available for Purchase)	
4	1001163174	1	Decal, Battery Warning	
5	1001163206	1	Decal, Carry Personnel	
6	1001163212	2	Decal, No Ether Warning	
7	1001163285	1	Decal, Tip Over Warning	
8	1001163300	1	Decal, No Riders	
9	1001163304	1	Decal, Crush Hazard Warning	
10	3251813	1	Decal, USA	
11	4100181	1	Decal, Hydraulic Oil Fill	
12	1001187239	1	Decal, Outrigger	
13	4108302	1	Decal, Hydraulic Oil Level	
14	8466306	1	Gage, Tilt Angle	
15	10139087	1	Tread, Safety	
16	1001109053	1	Decal, Coolant Fill	
17	1001163355	2	Decal, Ultra Low Sulfur Diesel	
18	1001131271	1	Decal, Telehandlers Patent	
19	1001163323	1	Decal, Hot Fluid Warning	
22	1001180175	1	Decal, RH Overlay	
23	1001180176	1	Decal, LH Overlay	
24	1001162734	1	Decal, Joystick Control	
25	1001162735	1	Decal, Sway Control	
26	1001162736	1	Decal, Auxiliary Control	
27	1001162737	1	Decal, Outrigger Control	
28	1001202626	2	Decal, 74HP	
29	1001202627	1	Decal, Maintenance Chart	
32	1001189017	1	Decal, Diesel Fuel Fill	
33	1001189327	1	Decal, Main Fuse Panel	
34	1001189328	1	Decal, Fuse Panel Logic Harness	
35	1001254736	1	Decal, Lubrication Chart	
37	1001219211	1	Decal, DEF Fluid	
38	1001223453	1	Decal, ICES (CAN)	
39	See Note	NSS	SN Plate (Note: Stamped Part - Not Available for Purchase)	
43	4107442	1	Decal, Boom Extend Letters	
44	1001163210	1	Decal, Electrocutation Hazard	
45	1001163222	2	Decal, Moving Parts	
48	1001211278	1	Decal, Swinging Load Decal Kit	
50	1001270753	2	Decal, 74 HP	

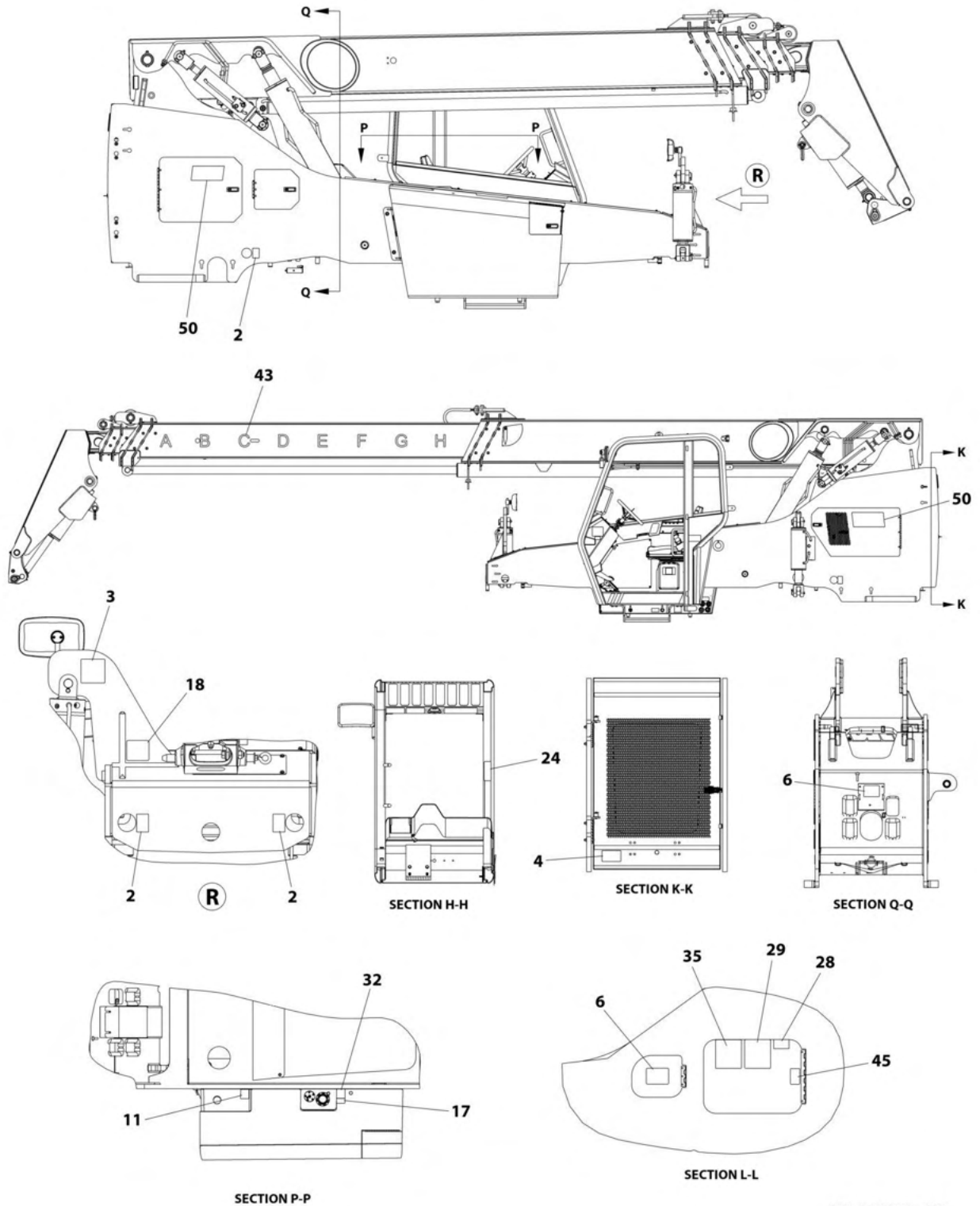
SECTION 11 - DECALS

FIGURE 11-3. DECALS INSTALLATION (74HP) (ENGLISH/SPANISH)



ART_1001245746_10F2

SECTION 11 - DECALS



ART_1001245746_2OF2

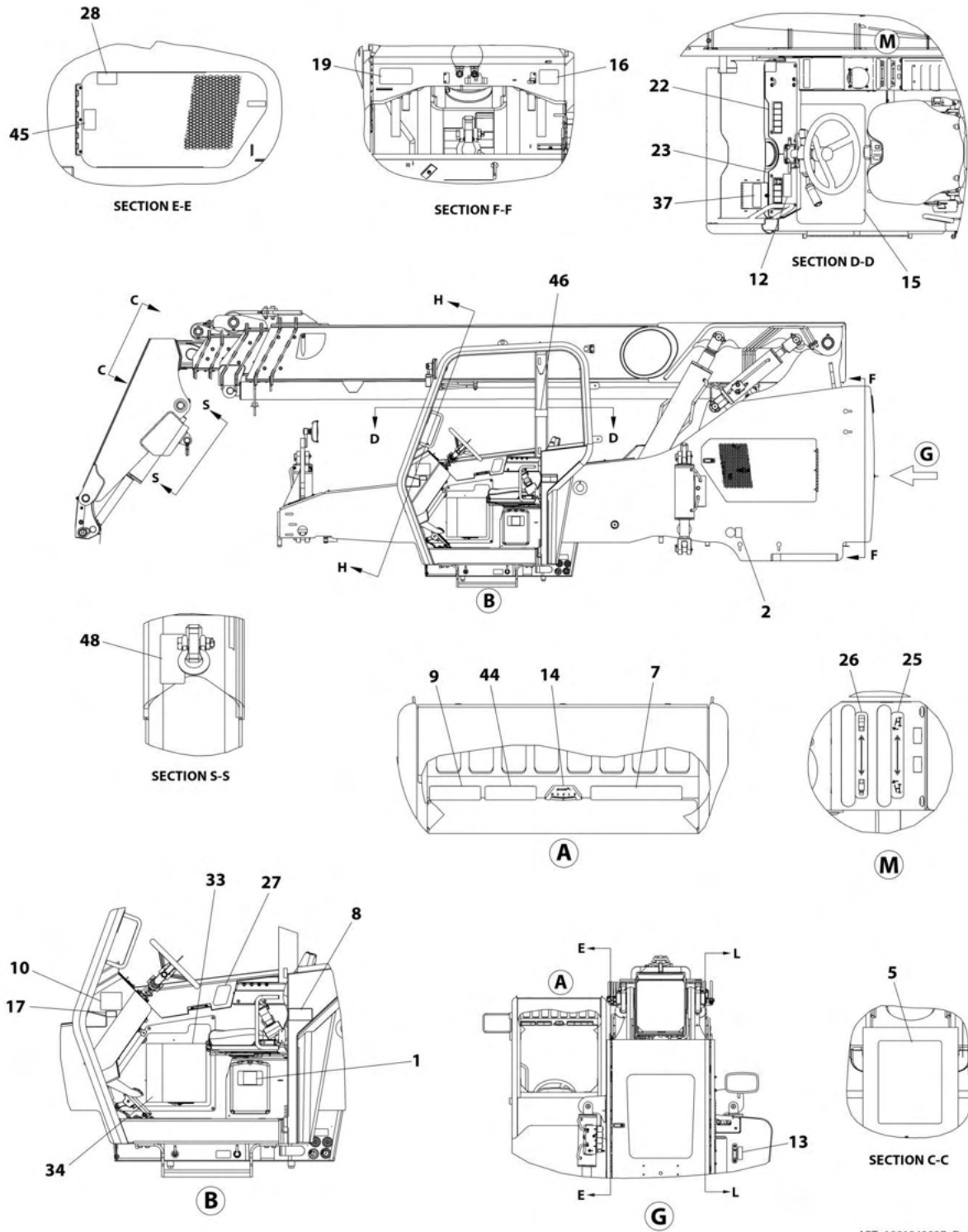
SECTION 11 - DECALS

FIGURE 11-3. DECALS INSTALLATION (74HP) (ENGLISH/SPANISH)

ITEM	PART NUMBER	QTY	DESCRIPTION	REV
	1001245746	Ref	DECAL INSTALLATION (ENGLISH/SPANISH) 74HP	E
1	1701640	1	Decal, Manual	
2	1702300	4	Decal, Tie Down	
3	See Note	NSS	Decal, Bar Code (Note: Not Available for Purchase)	
4	1001235794	1	Decal, Battery Warning	
5	1001235796	1	Decal, Carry Personnel	
6	1001235798	2	Decal, Ether Starting Warning	
7	1001235801	1	Decal, Tip Over Warning	
8	1001235802	1	Decal, No Riders	
9	1001235803	1	Decal, Crush Hazard Warning	
10	3251813	1	Decal, USA	
11	4100181	1	Decal, Hydraulic Oil Fill	
12	1001242122	1	Decal, Outrigger	
13	4108302	1	Decal, Hydraulic Oil Level	
14	8466306	1	Gage, Tilt Angle	
15	10139087	1	Tread, Safety	
16	1001109053	1	Decal, Coolant Fill	
17	1001235804	2	Decal, Ultra Low Sulfur Diesel	
18	1001131271	1	Decal, Telehandlers Patent	
19	1001235805	1	Decal, Hot Fluid Warning	
22	1001242172	1	Decal, RH Overlay	
23	1001242173	1	Decal, LH Overlay	
24	1001162734	1	Decal, Joystick Control	
25	1001162735	1	Decal, Sway Control	
26	1001162736	1	Decal, Auxiliary Control	
27	1001162737	1	Decal, Outrigger Control	
28	1001236313	2	Decal, MCO 74HP	
29	1001174152	1	Decal, Maintenance Chart	
32	1001189017	1	Decal, Diesel Fuel Fill	
33	1001189327	1	Decal, Main Fuse Panel	
34	1001189328	1	Decal, Fuse Panel Logic Harness	
35	1001254736	1	Decal, Lubrication Chart	
37	1001219211	1	Decal, DEF Fluid	
39	See Note	NSS	SN Plate (Note: Stamped Part - Not Available for Purchase)	
43	4107442	1	Decal, Boom Extend Letters	
44	1001235797	1	Decal, Electrocutation Hazard	
45	1001235799	2	Decal, Moving Parts	
48	1001246078	1	Decal, Swinging Loads Boom Head Skytrak (SPAN)	
49	1001242179	1	Decal, Danger Swinging Load	
50	1001270753	2	Decal, 74 HP	

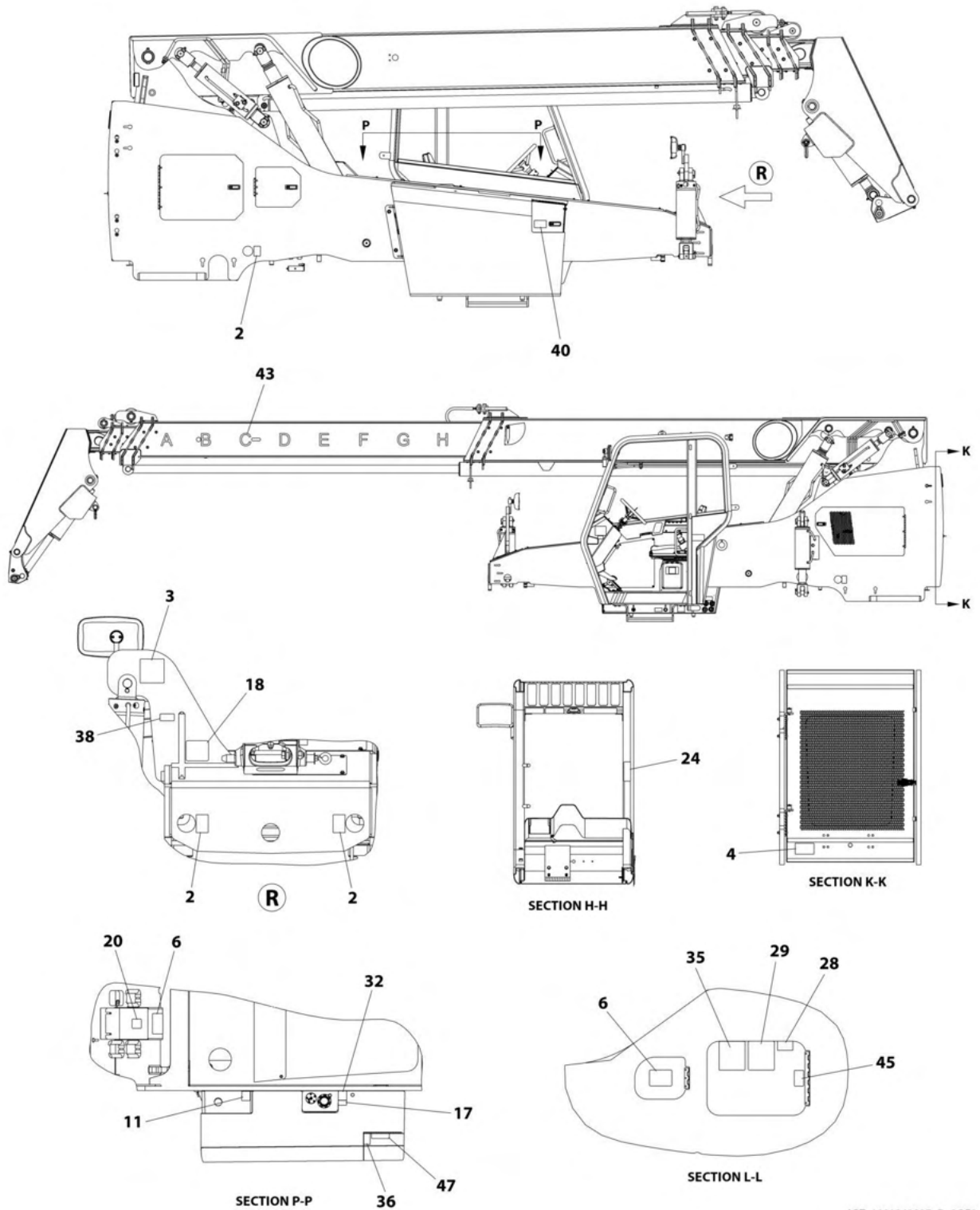
SECTION 11 - DECALS

FIGURE 11-4. DECALS INSTALLATION (130HP) (ANSI)



ART_1001242927_D_10F2

SECTION 11 - DECALS



ART_1001242927_D_2OF2

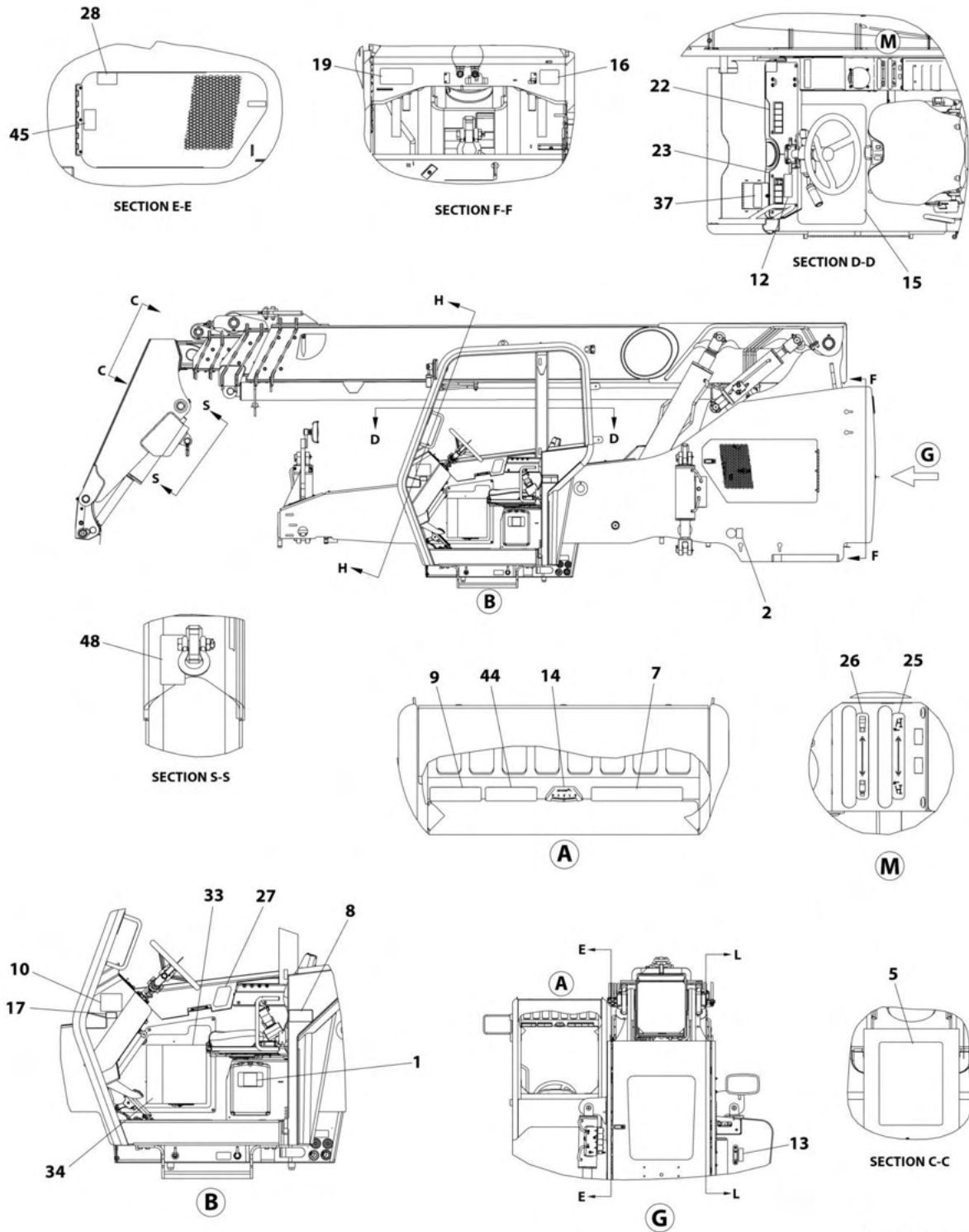
SECTION 11 - DECALS

FIGURE 11-4. DECALS INSTALLATION (130HP) (ANSI)

ITEM	PART NUMBER	QTY	DESCRIPTION	REV
	1001242927	Ref	DECAL INSTALLATION (ANSI)	D
1	1701640	1	Decal, Manual	
2	1702300	4	Decal, Tie Down	
3	See Note	NSS	Decal, Bar Code (Note: Not Available for Purchase)	
4	1706296	1	Decal, Battery Hazard	
5	1706298	1	Decal, Carry Personnel	
6	1706300	2	Decal, Ether Starting Warning	
7	1706306	1	Decal, Tip Over Warning	
8	1706768	1	Decal, No Riders	
9	1706850	1	Decal, Crush Hazard Warning	
10	3251813	1	Decal, USA	
11	4100181	1	Decal, Hydraulic Oil Fill	
12	4107971	1	Decal, Outrigger	
13	4108302	1	Decal, Hydraulic Oil Level	
14	8466306	1	Gage, Tilt Angle	
15	10139087	1	Tread, Safety	
16	1001109053	1	Decal, Coolant Fill	
17	1001125387	2	Decal, Ultra Low Sulfur Fuel	
18	1001131271	1	Decal, Telehandlers Patent	
19	1001139578	1	Decal, Hot Fluid Warning	
20	1001142452	1	Decal, No Step	
22	1001158272	1	Decal, RH Overlay	
23	1001158319	1	Decal, LH Overlay	
24	1001162734	1	Decal, Joystick Control	
25	1001162735	1	Decal, Sway Control	
26	1001162736	1	Decal, Auxiliary Control	
27	1001162737	1	Decal, Outrigger Control	
28	1001173422	2	Decal, MCO 110 HP	
29	1001174152	1	Decal, Maintenance Chart	
32	1001189017	1	Decal, Diesel Fuel Fill	
33	1001189327	1	Decal, Main Fuse Panel	
34	1001189328	1	Decal, Fuse Panel	
35	1001254736	1	Decal, Lubrication Chart	
36	1001196806	1	Decal, Diesel Exhaust Fluid	
37	1001218659	1	Decal, Brake Fluid	
38	1001223453	1	Decal, ICES (CAN)	
40	1001230307	1	Decal, DEF Tank Service Cummins	
43	4107442	1	Decal, Boom Extend Letters	
44	1706299	1	Decal, Contacting Power Lines Warning	
45	1706301	2	Decal, Keep Clear of Rotating Parts Warning	
46	1001231801	1	Decal, Warning Prop 65 Diesel	
47	1001219212	1	Decal, DEF Fluid	
48	1001207217	1	Decal, Danger Swinging Load	

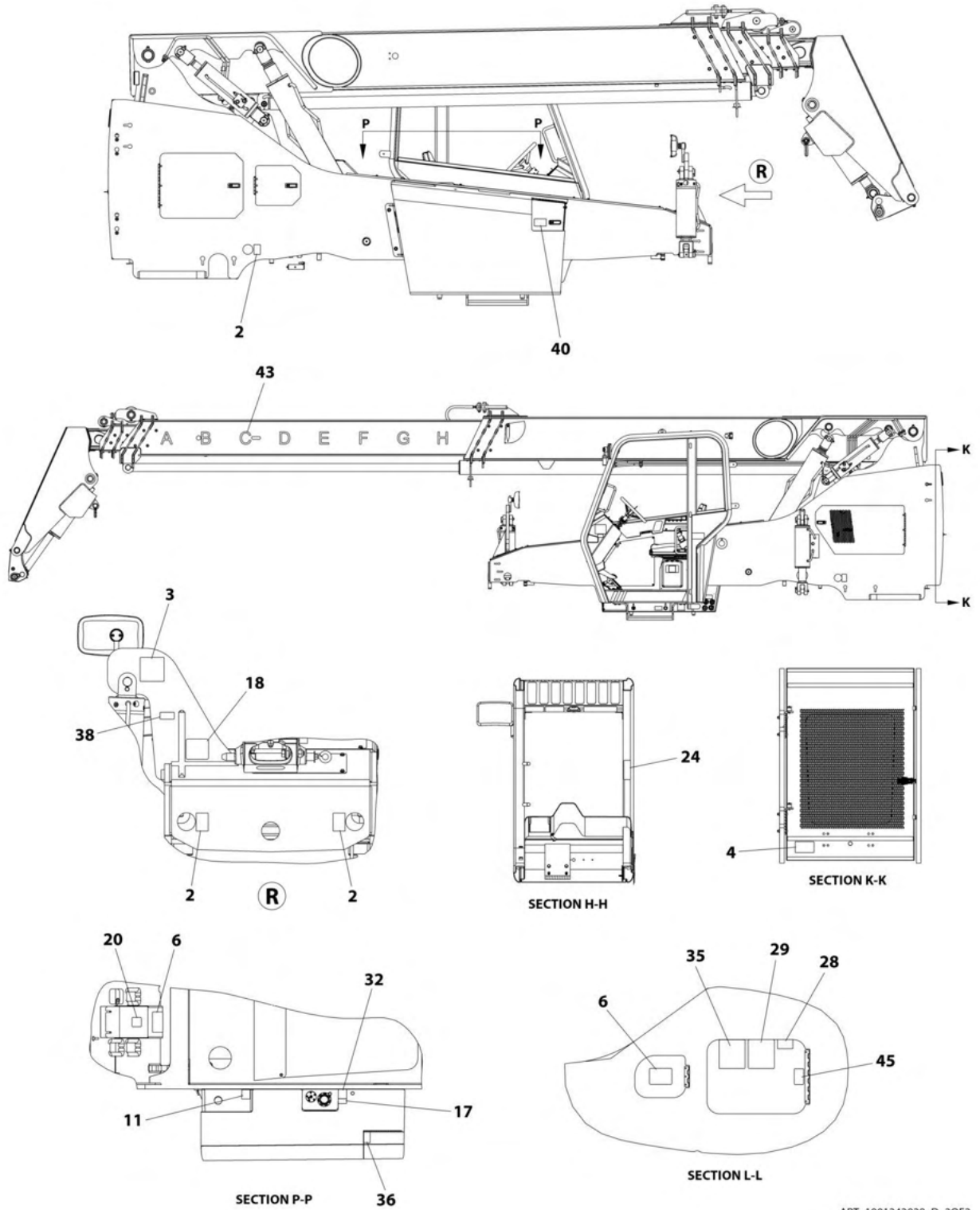
SECTION 11 - DECALS

FIGURE 11-5. DECALS INSTALLATION (130HP) (ENGLISH/FRENCH)



ART_1001242928_D_10F2

SECTION 11 - DECALS



ART_1001242928_D_20F2

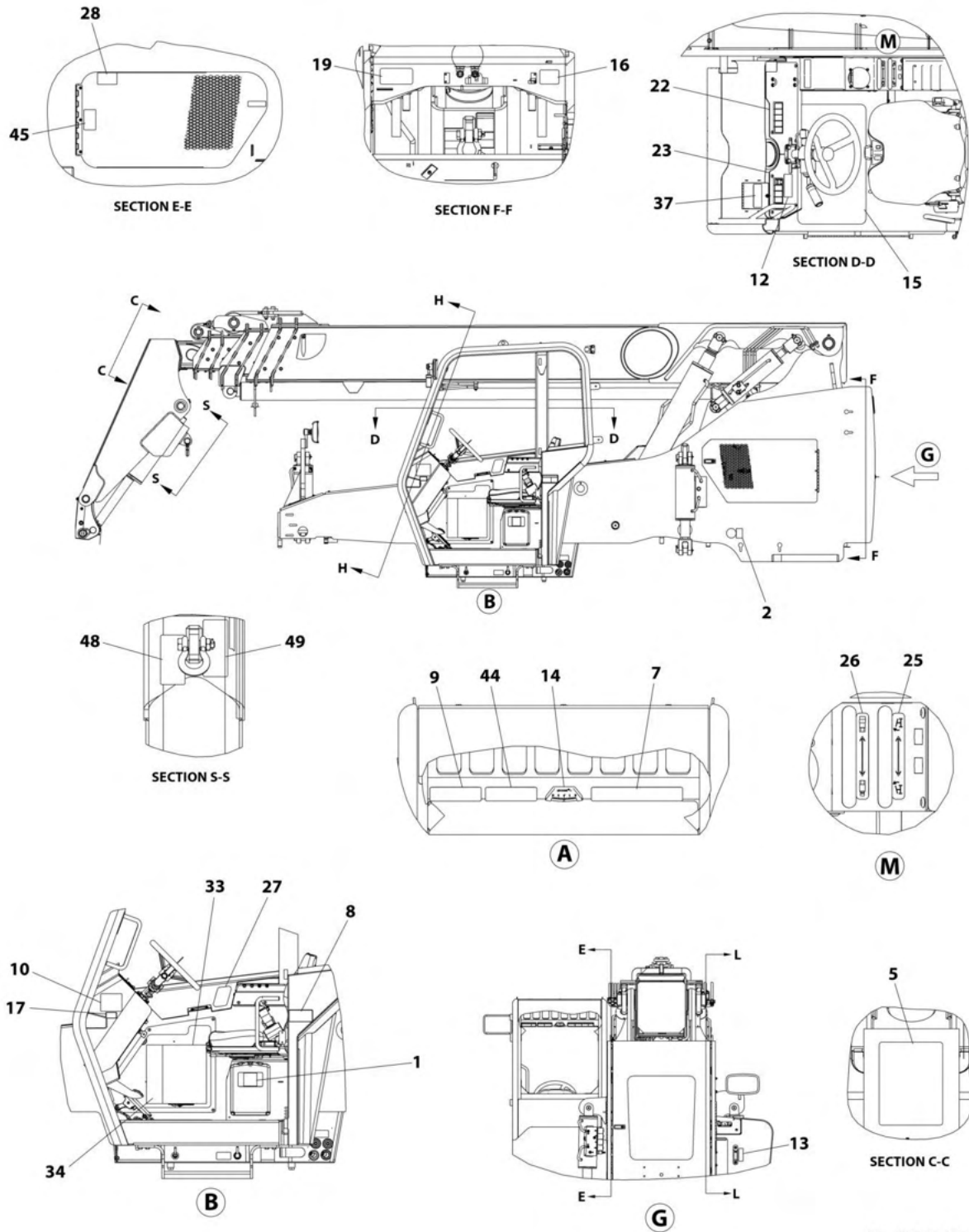
SECTION 11 - DECALS

FIGURE 11-5. DECALS INSTALLATION (130HP) (ENGLISH/FRENCH)

ITEM	PART NUMBER	QTY	DESCRIPTION	REV
	1001242928	Ref	DECAL INSTALLATION (ENGLISH/FRENCH) (ULS)	D
1	1701640	1	Decal, Manual	
2	1702300	4	Decal, Tie Down	
3	See Note	NSS	Decal, Bar Code (Note: Not Available for Purchase)	
4	1001163174	1	Decal, Battery Warning	
5	1001163206	1	Decal, Carry Personnel	
6	1001163212	2	Decal, No Ether Warning	
7	1001163285	1	Decal, Tip Over Warning	
8	1001163300	1	Decal, No Riders	
9	1001163304	1	Decal, Crush Hazard Warning	
10	3251813	1	Decal, USA	
11	4100181	1	Decal, Hydraulic Oil Fill	
12	1001187239	1	Decal, Outrigger	
13	4108302	1	Decal, Hydraulic Oil Level	
14	8466306	1	Gage, Tilt Angle	
15	10139087	1	Tread, Safety	
16	1001109053	1	Decal, Coolant Fill	
17	1001163355	2	Decal, Ultra Low Sulfur Diesel	
18	1001131271	1	Decal, Telehandlers Patent	
19	1001163323	1	Decal, Hot Fluid Warning	
20	1001142452	1	Decal, No Step	
22	1001180175	1	Decal, RH Overlay	
23	1001180176	1	Decal, LH Overlay	
24	1001162734	1	Decal, Joystick Control	
25	1001162735	1	Decal, Sway Control	
26	1001162736	1	Decal, Auxiliary Control	
27	1001162737	1	Decal, Outrigger Control	
28	1001173422	2	Decal, MCO 110HP	
29	1001174152	1	Decal, Maintenance Chart	
32	1001189017	1	Decal, Diesel Fuel Fill	
33	1001189327	1	Decal, Main Fuse Panel	
34	1001189328	1	Decal, Fuse Panel Logic Harness	
35	1001254736	1	Decal, Lubrication Chart	
36	1001196806	1	Decal, Diesel Exhaust Fluid	
37	1001219211	1	Decal, DEF Fluid	
38	1001223453	1	Decal, ICES (CAN)	
40	1001230309	1	Decal, DEF Tank	
43	4107442	1	Decal, Boom Extend Letters	
44	1001163210	1	Decal, Electrocution Hazard	
45	1001163222	2	Decal, Moving Parts	
48	1001211278	1	Decal, Swinging Load Decal Kit	

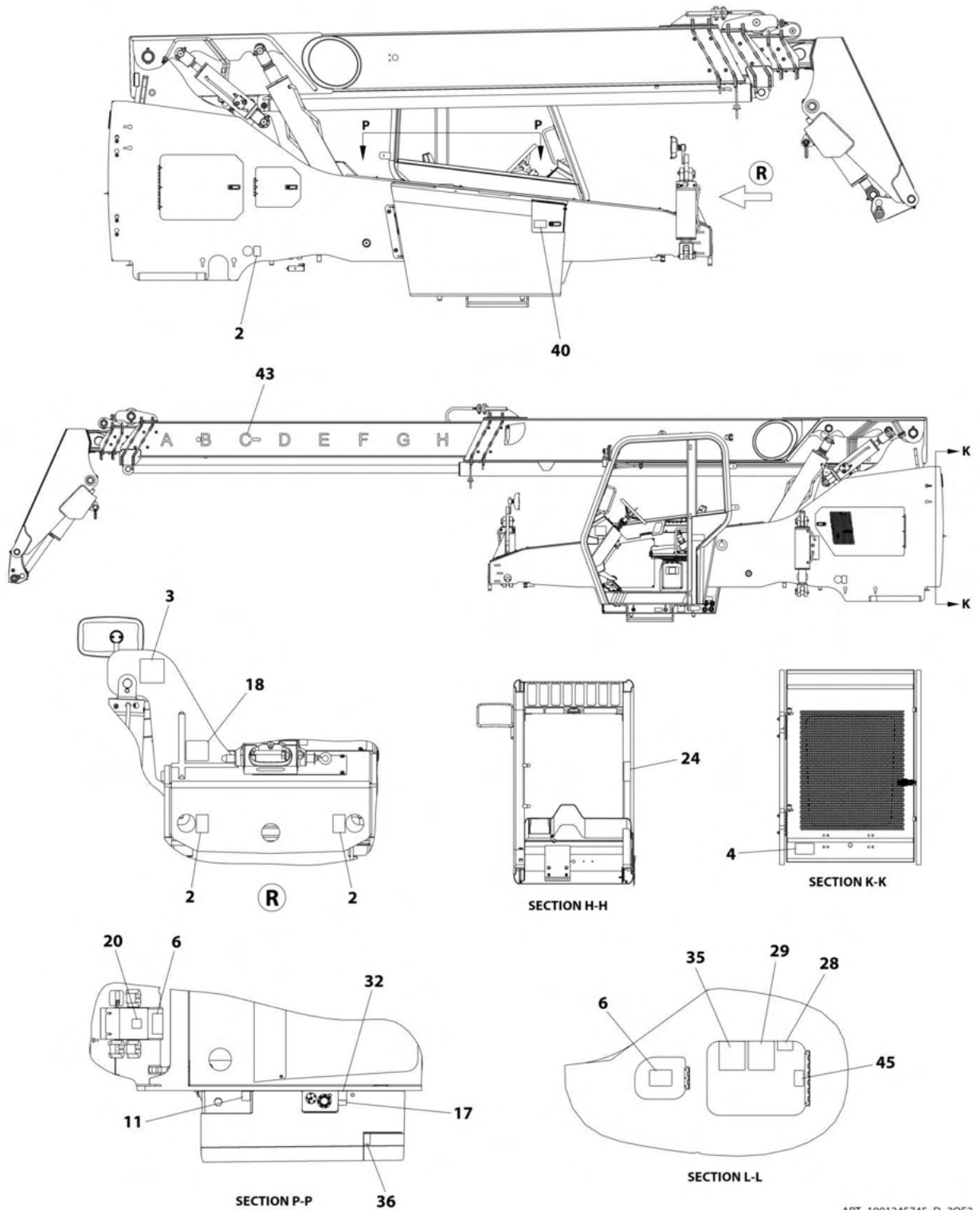
SECTION 11 - DECALS

FIGURE 11-6. DECALS INSTALLATION (130HP) (ENGLISH/SPANISH)



ART_1001245745_D_10F2

SECTION 11 - DECALS



ART_1001245745_D_20F2

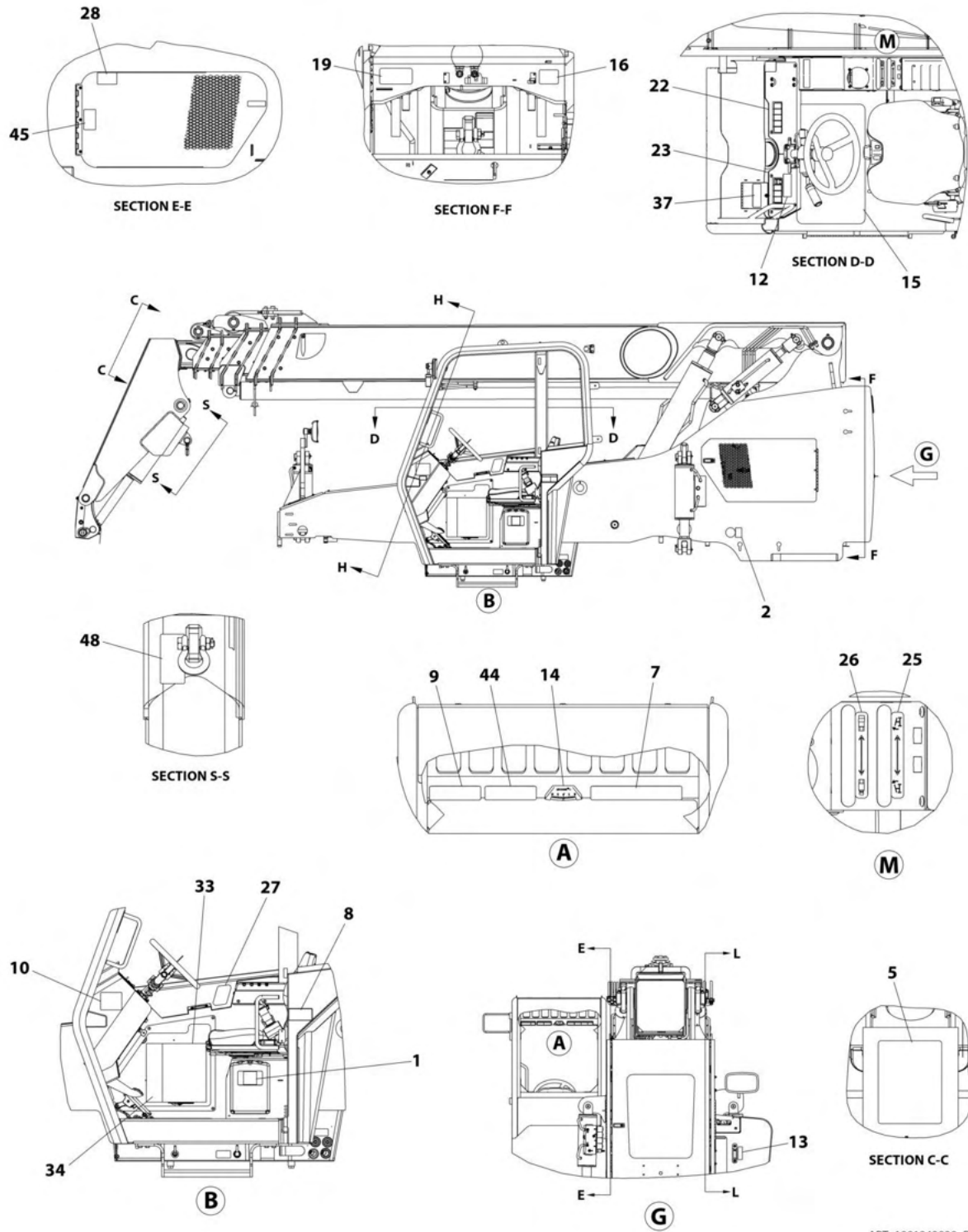
SECTION 11 - DECALS

FIGURE 11-6. DECALS INSTALLATION (130HP) (ENGLISH/SPANISH)

ITEM	PART NUMBER	QTY	DESCRIPTION	REV
	1001245745	Ref	DECAL INSTALLATION (ENGLISH/SPANISH) (ULS)	D
1	1701640	1	Decal, Manual	
2	1702300	4	Decal, Tie Down	
3	See Note	NSS	Decal, Bar Code (Note: Not Available for Purchase)	
4	1001235794	1	Decal, Battery Warning	
5	1001235796	1	Decal, Carry Personnel	
6	1001235798	2	Decal, Ether Starting Warning	
7	1001235801	1	Decal, Tip Over Warning	
8	1001235802	1	Decal, No Riders	
9	1001235803	1	Decal, Crush Hazard Warning	
10	3251813	1	Decal, USA	
11	4100181	1	Decal, Hydraulic Oil Fill	
12	1001242122	1	Decal, Outrigger	
13	4108302	1	Decal, Hydraulic Oil Level	
14	8466306	1	Gage, Tilt Angle	
15	10139087	1	Tread, Safety	
16	1001109053	1	Decal, Coolant Fill	
17	1001235804	2	Decal, Ultra Low Sulfur Diesel (SPAN)	
18	1001131271	1	Decal, Telehandlers Patent	
19	1001235805	1	Decal, Hot Fluid Warning	
20	1001142452	1	Decal, No Step	
22	1001242172	1	Decal, RH Overlay	
23	1001242173	1	Decal, LH Overlay	
24	1001162734	1	Decal, Joystick Control	
25	1001162735	1	Decal, Sway Control	
26	1001162736	1	Decal, Auxiliary Control	
27	1001162737	1	Decal, Outrigger Control	
28	1001236312	2	Decal, MCO 110HP	
29	1001174152	1	Decal, Maintenance Chart	
32	1001189017	1	Decal, Diesel Fuel Fill	
33	1001189327	1	Decal, Main Fuse Panel	
34	1001189328	1	Decal, Fuse Panel Logic Harness	
35	1001254736	1	Decal, Lubrication Chart	
36	1001196806	1	Decal, Diesel Exhaust Fluid	
37	1001219211	1	Decal, DEF Fluid	
39	See Note	NSS	SN Plate (Note: Stamped Part - Not Available for Purchase)	
40	1001242181	1	Decal, Cummins DEF Tank Service	
43	4107442	1	Decal, Boom Extend Letters	
44	1001235797	1	Decal, Electrocution Hazard	
45	1001235799	2	Decal, Moving Parts	
48	1001246078	1	Decal, Swinging Loads Boom Head	
49	1001242179	1	Decal, Danger Swinging Load	

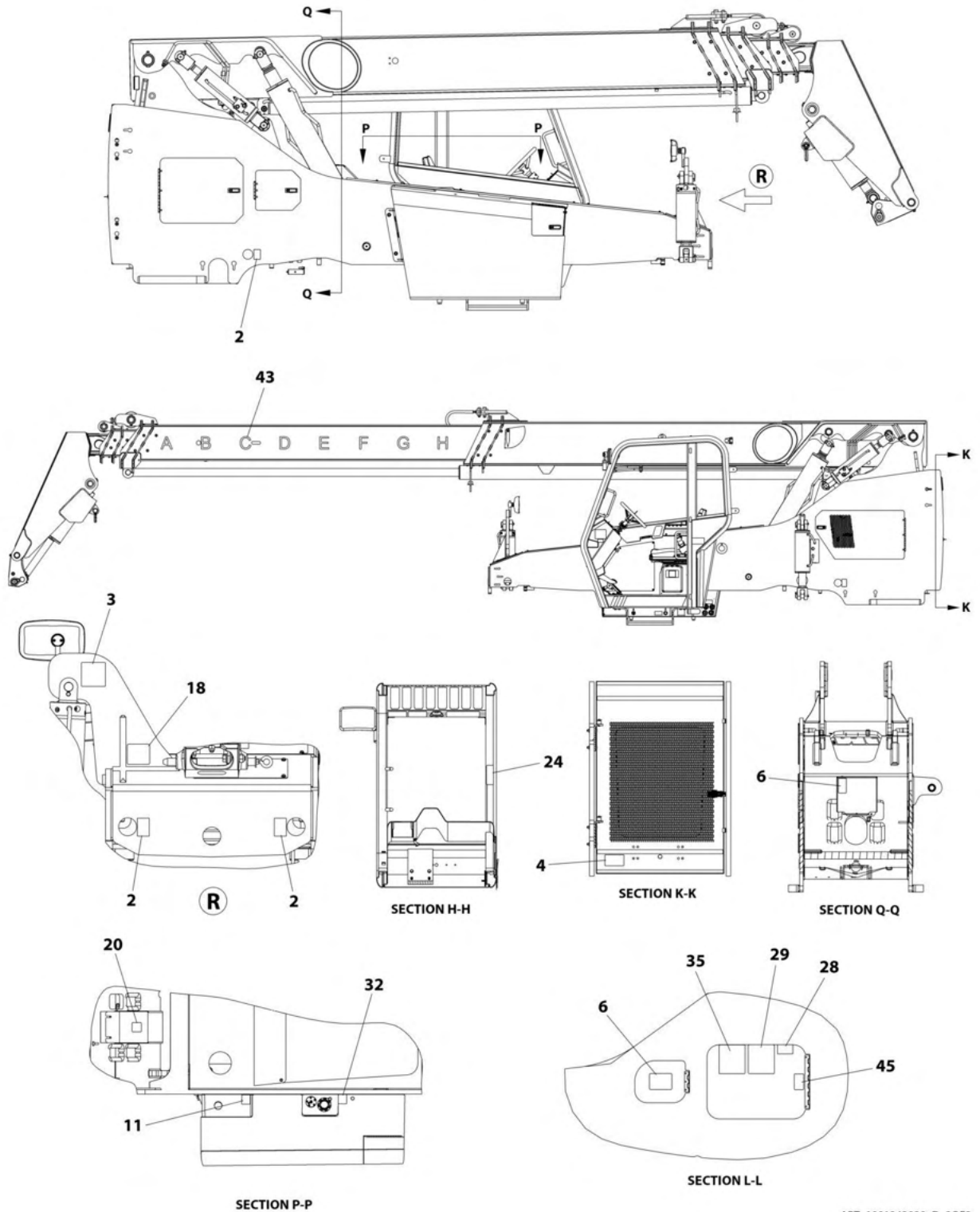
SECTION 11 - DECALS

FIGURE 11-7. DECALS INSTALLATION (130HP) (ISO)



ART_1001242929_D_10F2

SECTION 11 - DECALS



ART_1001242929_D_20F2

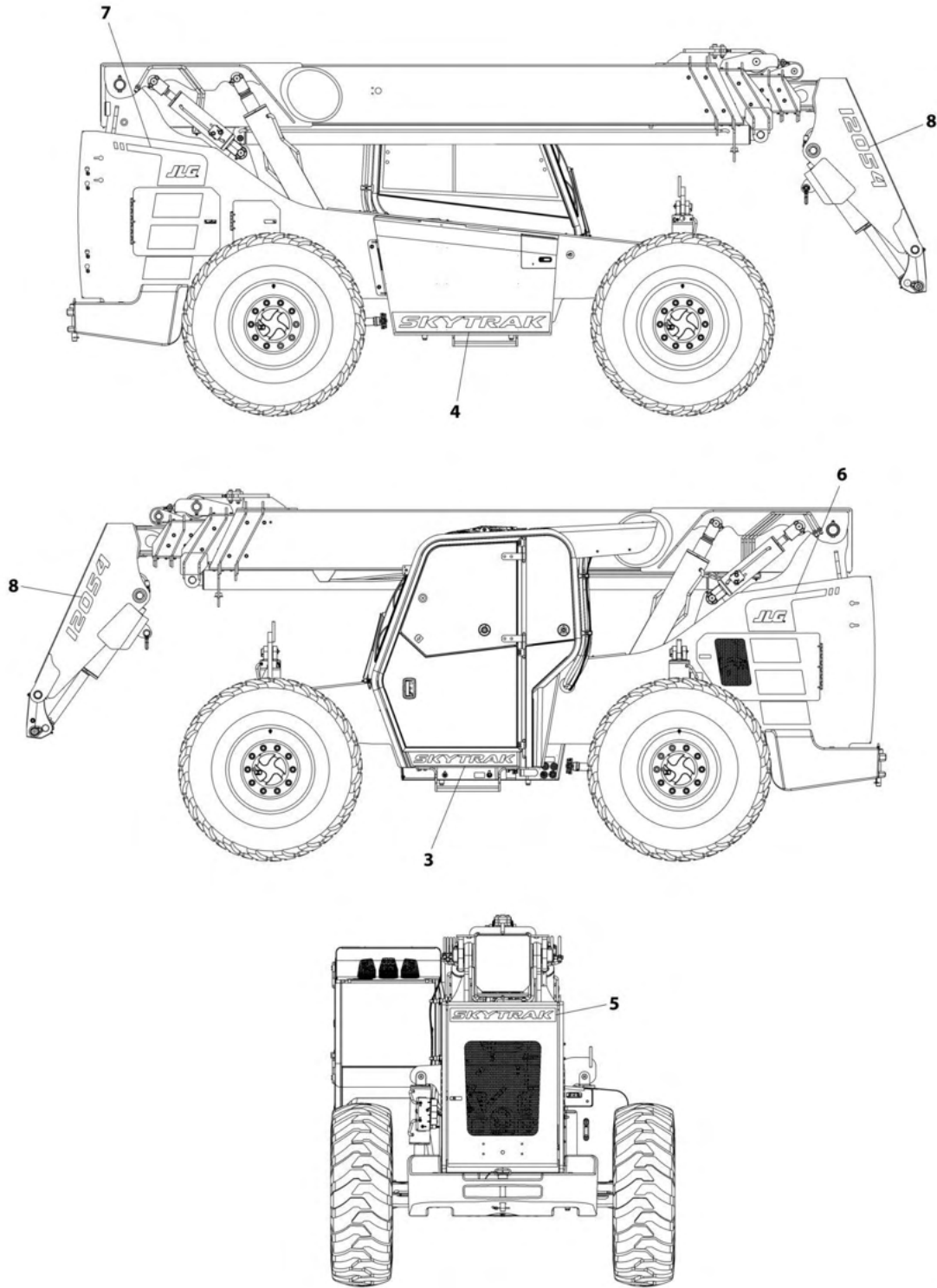
SECTION 11 - DECALS

FIGURE 11-7. DECALS INSTALLATION (130HP) (ISO)

ITEM	PART NUMBER	QTY	DESCRIPTION	REV
	1001242929	Ref	DECAL INSTALLATION (ISO)	D
1	1701640	1	Decal, Manual	
2	1702300	4	Decal, Tie Down	
3	See Note	NSS	Decal, Bar Code (Note: Not Available for Purchase)	
4	1706281	1	Decal, Battery Warning	
5	1706282	1	Decal, Carry Personnel	
6	1706098	2	Decal, Ether Starting Warning	
7	1706288	1	Decal, Tip Over Warning	
8	1001092878	1	Decal, No Riders	
9	1001092877	1	Decal, Crush Hazard Warning	
10	3251813	1	Decal, USA	
11	4100181	1	Decal, Hydraulic Oil Fill	
12	1706279	1	Decal, Warning Outrigger	
13	4108302	1	Decal, Hydraulic Oil Level	
14	8466306	1	Gage, Tilt Angle	
15	10139087	1	Tread, Safety	
16	1001109053	1	Decal, Coolant Fill	
18	1001131271	1	Decal, Telehandlers Patent	
19	1001139942	1	Decal, Hot Fluid Warning	
20	1001142452	1	Decal, No Step	
22	1001158321	1	Decal, RH Overlay	
23	1001158320	1	Decal, LH Overlay	
24	1001162734	1	Decal, Joystick Control	
25	1001162735	1	Decal, Sway Control	
26	1001162736	1	Decal, Auxiliary Control	
27	1001162737	1	Decal, Outrigger Control	
28	1001173422	2	Decal, MCO 110HP	
29	1001202627	1	Decal, Maintenance Chart (74HP)	
32	1001189017	1	Decal, Diesel Fuel Fill	
33	1001189327	1	Decal, Main Fuse Panel	
34	1001189328	1	Decal, Fuse Panel	
35	1001254736	1	Decal, Lubrication Chart	
37	1001219211	1	Decal, Brake Fluid	
43	4107442	1	Decal, Boom Extend Letters	
44	1706284	1	Decal, Electrocutation Hazard	
45	1706285	2	Decal, Moving Parts	
48	1001207218	1	Decal, Danger Swinging Load	

SECTION 11 - DECALS

FIGURE 11-8. DECAL INSTALLATION (BRAND AND MODELS)



ART_1001259417

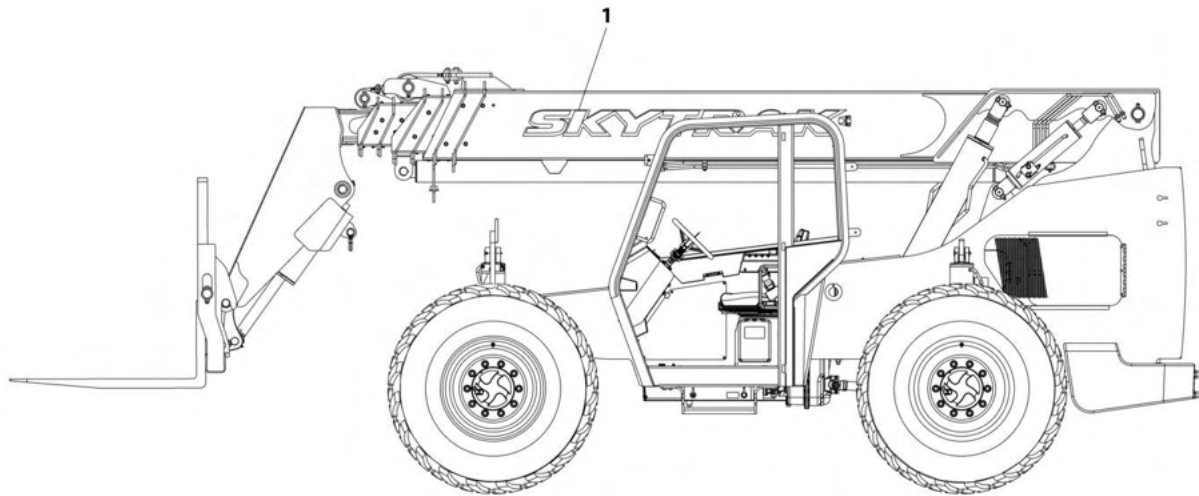
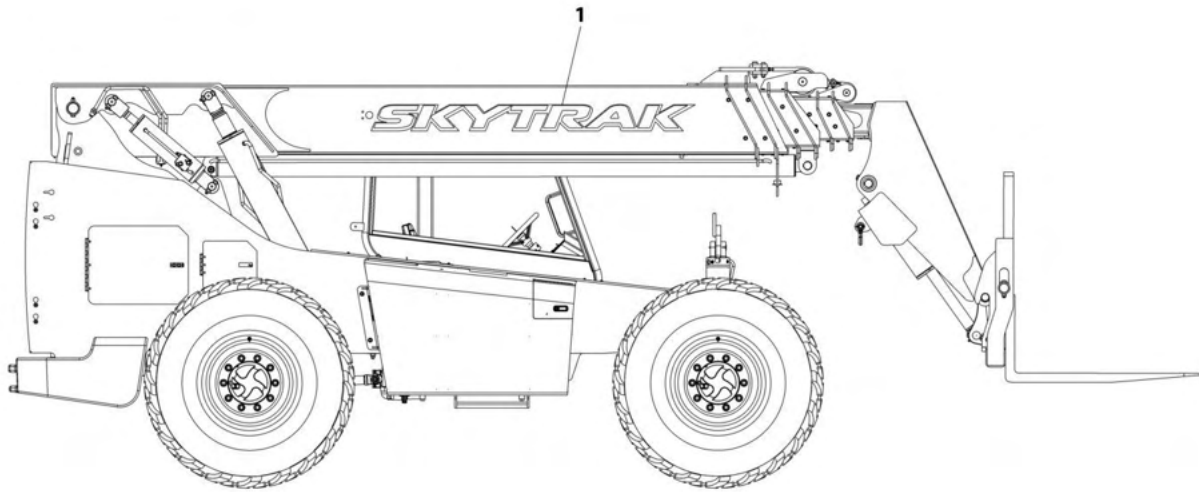
SECTION 11 - DECALS

FIGURE 11-8. DECAL INSTALLATION (BRAND AND MODELS)

ITEM	PART NUMBER	QTY	DESCRIPTION	REV
	1001259417	Ref	Decal Installation (Brand and Models)	B
3	1001259302	1	Decal, Cab Side	
4	1001259303	1	Decal, Tank Side	
5	1001259304	1	Decal, Rear Door	
6	1001259305	1	Decal, Left Side Stripe	
7	1001259306	1	Decal, Right Side Stripe	
8	1001262058	2	Decal, Model Boom Head	

SECTION 11 - DECALS

FIGURE 11-9. BOOM DECALS INSTALLATION (PVC 2011)



ART_1001244020_B

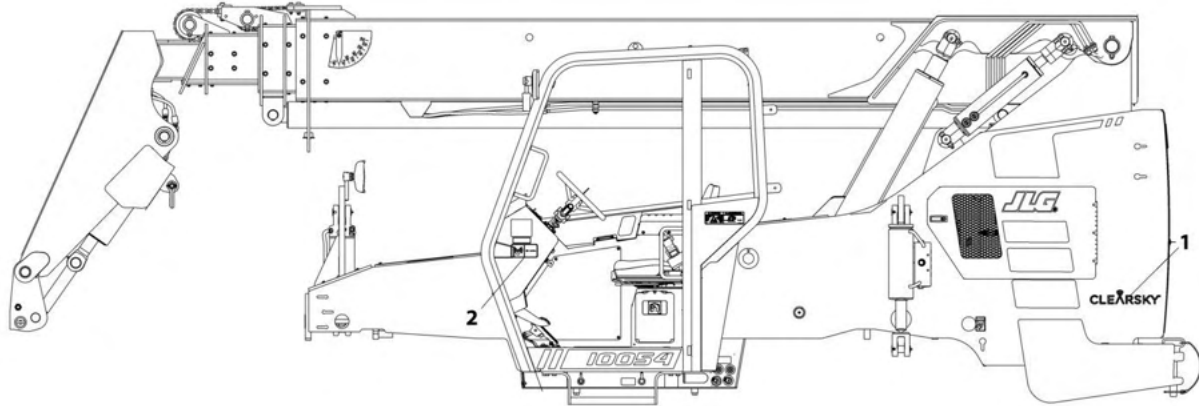
SECTION 11 - DECALS

FIGURE 11-9. BOOM DECALS INSTALLATION (PVC 2011)

ITEM	PART NUMBER	QTY	DESCRIPTION	REV
1	1001244020	Ref	Boom Decals Installation	B
	1001262057	2	Decal, Boom	

SECTION 11 - DECALS

FIGURE 11-10. CLEARSKY DECALS INSTALLATION



ART_1001229708-B

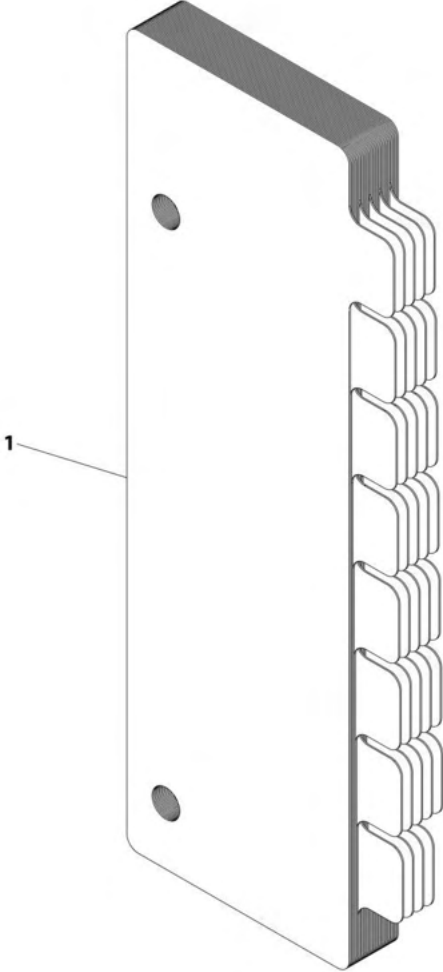
SECTION 11 - DECALS

FIGURE 11-10. CLEARSKY DECALS INSTALLATION

ITEM	PART NUMBER	QTY	DESCRIPTION	REV
	1001229708	Ref	Clearsky Decal Installation	B
1	1001116208	1	Clearsky Decal	
2	1001120989	1	Radio Frequency Decal	

SECTION 11 - DECALS

FIGURE 11-11. LOADCHART BOOKLET (ANSI)



ART_1001245474_C

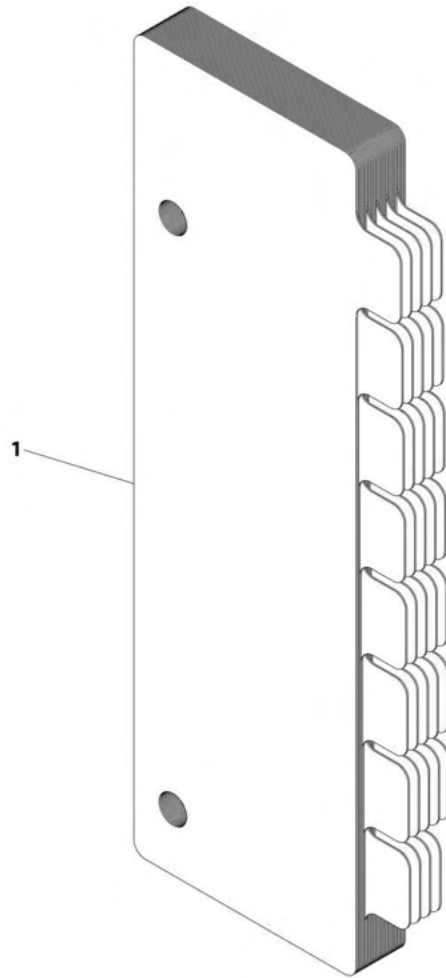
SECTION 11 - DECALS

FIGURE 11-11. LOADCHART BOOKLET (ANSI)

ITEM	PART NUMBER	QTY	DESCRIPTION	REV
1	1001245474	Ref	Loadcharts (ISO)	C

SECTION 11 - DECALS

FIGURE 11-12. LOADCHART BOOKLET (ISO)



ART_1001245475_B

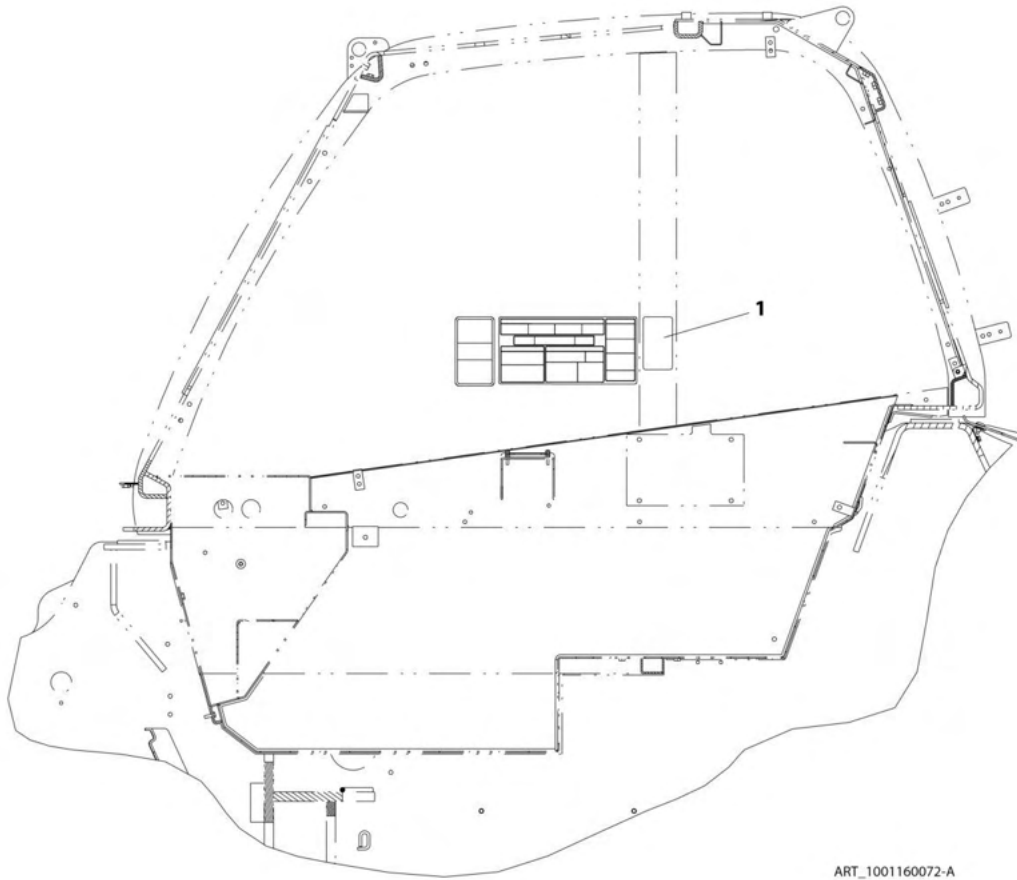
SECTION 11 - DECALS

FIGURE 11-12. LOADCHART BOOKLET (ISO)

ITEM	PART NUMBER	QTY	DESCRIPTION	REV
1	1001245475	Ref	Loadcharts (ISO)	B

SECTION 11 - DECALS

FIGURE 11-13. REVERSE SENSOR SYSTEM DECAL (ENGLISH)



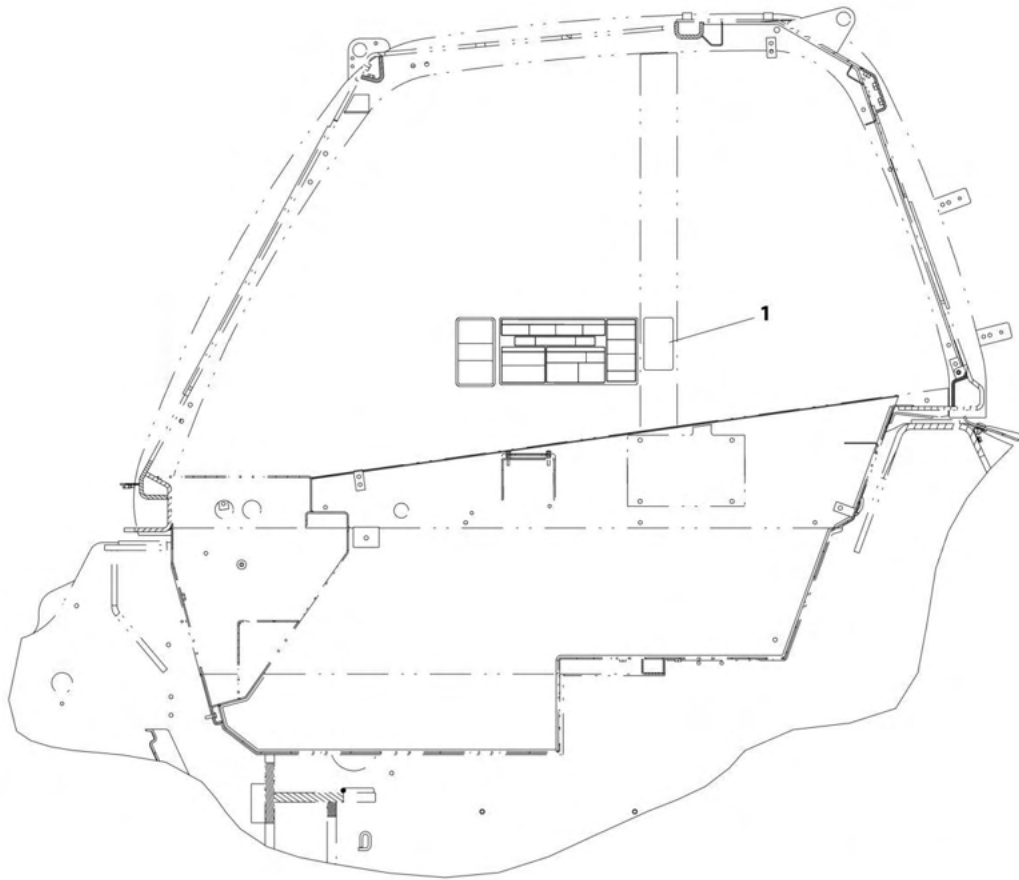
SECTION 11 - DECALS

FIGURE 11-13. REVERSE SENSOR SYSTEM DECAL (ENGLISH)

ITEM	PART NUMBER	QTY	DESCRIPTION	REV
1	1001160072	1	Reverse Sensor System Decal (English)	A

SECTION 11 - DECALS

FIGURE 11-14. REVERSE SENSOR SYSTEM DECAL (ENGLISH/FRENCH)



ART_1001160945-A

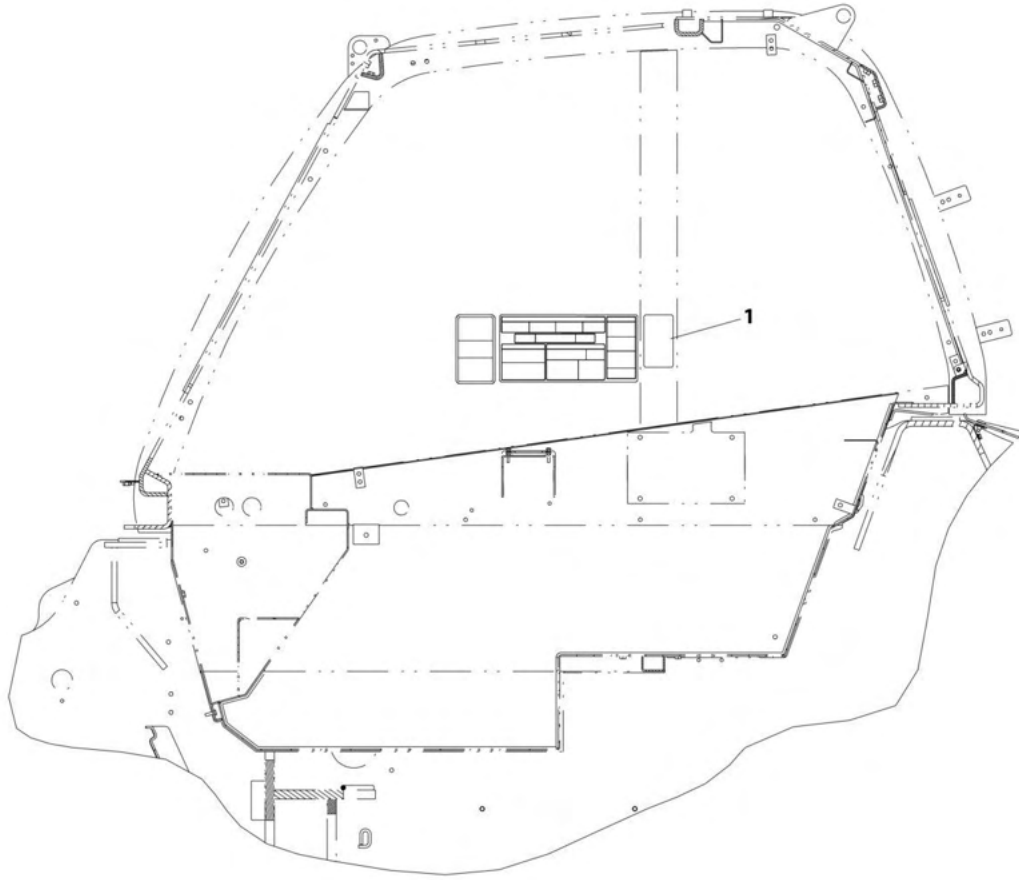
SECTION 11 - DECALS

FIGURE 11-14. REVERSE SENSOR SYSTEM DECAL (ENGLISH/FRENCH)

ITEM	PART NUMBER	QTY	DESCRIPTION	REV
1	1001160945	1	Reverse Sensor System Decal (ENGLISH/FRENCH)	A

SECTION 11 - DECALS

FIGURE 11-15. REVERSE SENSOR SYSTEM DECAL (ENGLISH/SPANISH)



ART_1001237846-A

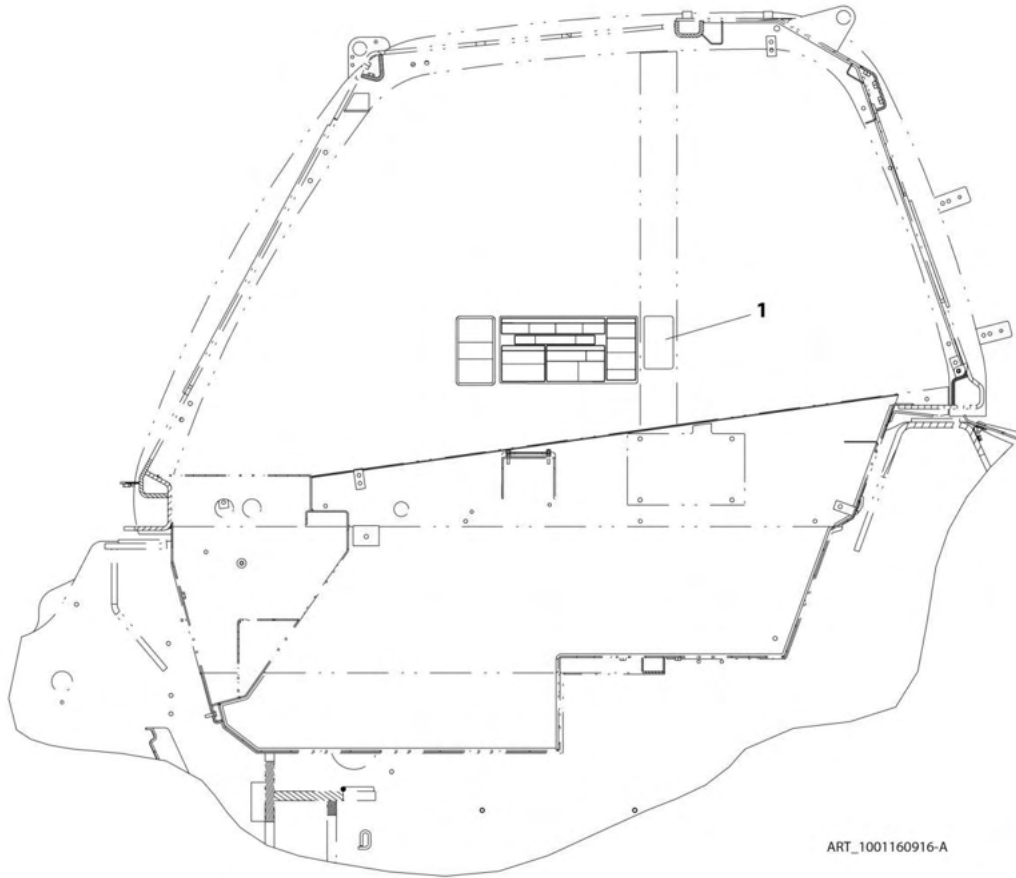
SECTION 11 - DECALS

FIGURE 11-15. REVERSE SENSOR SYSTEM DECAL (ENGLISH/SPANISH)

ITEM	PART NUMBER	QTY	DESCRIPTION	REV
1	1001237846	Ref	Reverse Sensor System Decal (ENGLISH/SPANISH)	A

SECTION 11 - DECALS

FIGURE 11-16. REVERSE SENSOR SYSTEM DECAL (ISO)



SECTION 11 - DECALS

FIGURE 11-16. REVERSE SENSOR SYSTEM DECAL (ISO)

ITEM	PART NUMBER	QTY	DESCRIPTION	REV
1	1001160916	1	Reverse Sensor System Decal (ISO)	A

SECTION 12 - RECOMMENDED SERVICE PARTS STOCK

SECTION 12 - RECOMMENDED SERVICE PARTS STOCK

SECTION 12 - RECOMMENDED SERVICE PARTS STOCK

FIGURE 12-1. RECOMMENDED SERVICE PARTS STOCK

ITEM	PART NUMBER	QTY	DESCRIPTION	REV
		Ref	Note: The following list will service one machine (built to current production per date on the front cover) with emergency repair parts which can be installed in the field. Parts from the list should be replaced when inventory is depleted to keep service parts stock supplied. For further information, contact your JLG dealer or the JLG Industries Parts Department.	
	70026085	1	Coil (Frame Control Valve)	
	70026582	1	Coil (Steer Select Valve)	
	1001173581	1	Control, Auxiliary	
	1001173582	1	Control, Frame Level	
	1001210703	1	Controller (Cab)	
	1001203181	1	Control, Accessory (ASOV)	
	1001229458	1	Controller, Gateway (ClearSky)	
	1001158002	1	Control, JoyStick	
	1001159850	1	Control, Heater (Enclosed Cab with Heater)	
	1001159851	1	Control, HVAC (Enclosed Cab with Heater & AC)	
	1001247421	1	Control, Reverse Sensor	
	8223073	1	Control, Turn Signal (Roadlight Package)	
	1001199205	1	Element, Filter	
		Ref	Engine - ULS	
	70026453	12	Element, Fuel Filter (Secondary)	
	70026234	12	Element, Fuel Filter (Primary)	
	70026237	12	Filter, Oil	
	70025852	12	Filter, Air Cylindrical Primary	
	70025853	12	Filter, Air Cylindrical Secondary	
		Ref	Engine - LS	
	70026801	12	Element, Fuel Filter (Secondary)	
	70026234	12	Element, Fuel Filter (Primary)	
	1001133534	1	Filter, Fuel (LS Engine)	
	70026237	12	Filter, Oil	
	1101312	12	Filter, Air Cylindrical Primary	
	1101313	12	Filter, Air Cylindrical Secondary	
	7139077	1	Filler/Breather (Hydraulic Tank)	
	8229234	2	Fuse 10A	
	8229235	2	Fuse 20A	
	8229261	2	Fuse 5A	
	8229242	2	Fuse 5A	
	8229244	2	Fuse, 15 Amp (130HP ULS)	
	1001118245	2	Fuse, 250 Amp	
	8229243	2	Fuse, 7.5 AMP Mini	
	1001129285	2	Fuse, Mini Diode	
	1001127699	2	Fuse, Power Module	
	8229237	2	Fuse, 15 A	
	8229238	2	Fuse, 40 A	
	8229233	2	Fuse, 7.5 A	
	8035807	1	Key (Ignition)	
	70021948	1	Key (Cab Door)	
	70028514	1	Kit, Solenoid 12V (ASOV)	
	2940074	1	Latch	

SECTION 12 - RECOMMENDED SERVICE PARTS STOCK

ITEM	PART NUMBER	QTY	DESCRIPTION	REV
	1001228954	1	Module (ClearSky C.E.)	
	1001226796	1	Module (ClearSky N.A.)	
	1001226328	1	Module, 3W TCU (ClearSky ANSI)	
	1001233236	1	Module, 3W TCU (ClearSky C.E.)	
	3740080	1	Relay (ASOV)	
	1001095704	1	Relay	
	70026986	1	Relay, 12V 30/40A	
	1001186417	1	Relay, 150 Amp	
	1001205172	1	Relay, Micro 280, 12V, 35 Amp	
	1001184316	1	Relay, Power Module	
	1600429	1	Selector, Transmission Control	
	1001130307	1	Sensor, Boom	
	70025897	1	Solenoid (Piston Pump)	
	7029246	1	Solenoid Coil (Stabil-Trak)	
	1001215941	1	Switch (ASOV)	
	8223038	1	Switch, Beacon	
	8223025	1	Switch, Brake Lights (Roadlight Package)	
	8223060	1	Switch, Hazard (Roadlight Package)	
	4360690	1	Switch, Ignition	
	1001170269	1	Switch, Outrigger	
	8223054	1	Switch, Park Brake	
	8223037	1	Switch, Steer Select	
	8223044	1	Switch, Windscreen Washer (Enclosed Cab)	
	8223043	1	Switch, Windscreen Wiper (Enclosed Cab)	
	8223059	1	Switch, Work Light (Roadlight & Worklight Package)	

SECTION 13 - SPECIAL OPTIONS/ACCESSORIES/KITS

SECTION 13 - SPECIAL OPTIONS/ACCESSORIES/KITS

SECTION 13 - SPECIAL OPTIONS/ACCESSORIES/KITS

FIGURE 13-1. SPECIAL OPTIONS/ACCESSORIES/KITS

ITEM	PART NUMBER	QTY	DESCRIPTION	REV
	See Note	Ref	Note: This list is to accommodate machines ordered with special equipment. Options may not be applicable to all models. For more specific parts information contact JLG Parts Department.	
		Ref	SPECIAL OPTIONS/ACCESSORIES/KITS	
	1001243577	Ref	Access Control Kit	D
	1001260645	Ref	Aftermarket Kits	
	1001239455	Ref	Backup Camera Kit	
	1001214398	Ref	Battery Disconnect Kit	
	1001261689	Ref	Boom Chain Kit - Fly Extend	
	1001261688	Ref	Boom Chain Kit - Inner Boom Extend	
	8024033	Ref	Boom Chain Kit - Fly Retract	
	1001261690	Ref	Boom Chain Kit - Inner Mid Boom Retract	
	2910996	Ref	Boom Wear Pads Kit	
	1001201455	Ref	Cab A/C Kit	
	1001201453	Ref	Cab Enclosure Kit	
	1001193427	Ref	Cab Enclosure Kit with Heater	
	1001193428	Ref	Cab Enclosure Kit with HVAC	
	1001201456	Ref	Cab Heater Kit	
	1001201454	Ref	Cab HVAC Kit	
	1001268341	Ref	Camera Kit - Multi-View Rear View	
	1001243183	Ref	ClearSky Telematics Kit - Canbus (North America)	
	1001243184	Ref	ClearSky Telematics Kit - Canbus (CE)	
	1001261691	Ref	Cold Weather Kit	
	1001261692	Ref	Cold Weather LRC Kit	
	7028739	Ref	Compensation Cylinder Seal Kit	
	1001262231	Ref	Decal Kit	
	1001177168	Ref	Engine Removal Brackets Kit	
	8036502	Ref	Extend/Retract Cylinder Seal Kit	
	1001258010	Ref	Fender Kit	
	1001199737	Ref	Filter Kit - 500Hour	
	1001199738	Ref	Filter Kit - 1000Hour	
	1001239988	Ref	Fire Extinguisher Kit	
	8035720	Ref	Fork Tilt Cylinder Seal Kit	
	8035326	Ref	Frame Level Cylinder Seal Kit	
	1001201459	Ref	Lights - Beacon Lights Kit	
	1001201460	Ref	Lights - Worklight Kit	
	1001238893	Ref	Lights - Worklight Kit (LED)	
	1001251208	Ref	Lights, Roadlights Kit	
	1001253829	Ref	Reverse Sensing System Kit (All)	
	8036747	Ref	Stabil-Trak Cylinder Seal Kit	
	70022871	Ref	Tools - Counter Support, ZF Transmission	
	70023174	Ref	Tools - Eye Bolt Assortment, ZF Transmission	
	70022872	Ref	Tools - Internal Extractor, 45-58mm, ZF Transmission	
	70026448	Ref	Tools - Spanner Wrench	
	70010239	Ref	Tools - Two-Armed Puller, 160-150mm, ZF Transmission	
	1001249695	Ref	Tools- Analyzer and Cable Kit	
	1001249941	Ref	Tools- Analyzer and Cable Kit (Battery Powered)	
	1001213885	Ref	White Noise Alarm Kit	

SECTION 13 - SPECIAL OPTIONS/ACCESSORIES/KITS

PART NUMBER INDEX

SECTION 13 - SPECIAL OPTIONS/ACCESSORIES/KITS

0100009.....577, 579	0721004..... 381	1001097110 117	1001116748.....534, 561, 567, 568, 572
0100011.... 15, 17, 19, 21, 37, 39, 41, 43, 103, 107, 111, 167, 169, 171, 185, 187, 191, 193, 207, 209, 211, 213, 223, 225, 267, 385, 395, 397, 409, 417, 423, 429, 433, 439, 447	0741610 103, 107, 111	1001097205 137	1001116751.....575
0100019.....27	0760405 ...83, 91, 93, 113	1001098769 57	1001116757.....560, 561, 567, 571, 572
01043892.....227	0760505..... 381	1001099113 103, 107, 111	1001116758.....560, 561, 567, 571, 572
0140011.....617	0760605..... 167, 169	1001099115 103, 107, 111	1001116774.....519, 534, 553
0240156.....133	0760608 199, 201	1001099351 85	1001116808.....519, 534, 553
0400075.....527	0760614 171, 217	1001099699 381	1001116812.....519, 534, 553
0440296.....39	0760810 ... 171, 185, 207, 211, 213	1001099901 81	1001116815.....519, 551
0630464.....337, 349	0760812 209, 211, 319	1001099902 83	1001116945.....521
0641403.....217, 355	0760815 187	1001100082 381	1001116950.....562, 568, 573
0641404..... 508, 512, 516	0761012 199, 221	1001100265 91	1001117021.....562, 569, 572, 581, 605, 619
0641405.....69, 191, 193	0761014 171	1001100266 93	1001117026.....603, 619
0641406.....523	0761212 508, 512, 516	1001100267 95	1001117059.....575
0641409.....34	0771618 167, 169, 171	1001100822 91	1001117068.....560, 566, 571
0641410.....611, 617	0791606 21	1001100823 93	1001117070.....561, 569, 573
0641414..... 191, 193	0860520 69	1001100824 95	1001117079.....595
0641415.....609	0930020 87	1001100967 75	1001117080.....575
0641507.....209	1001003174 535	1001101867 41	1001117081.....625
0641508..... 191, 193	1001004720 203, 205, 617	1001102844 326, 332, 344	1001117103.....562, 568, 573
0641509..... 191	1001008742 337, 349	1001103182 113, 455	1001117106.....534
0641510..... 15, 157, 193	1001081049 326, 332, 337, 344, 349	1001105886 621	1001117111.....562, 569, 573
0641511.37, 43, 167, 169	1001081241 355	1001108524 233	1001117119.....534, 535
0641514.....583, 597	1001081242 355	1001108575 355	1001117125.....562, 569, 572
0641520.....43	1001081243 337, 349	1001108668 78	1001118245.....609, 676
0641605..... 508, 512, 516	1001081246 355	1001109053 630, 634, 638, 642, 646, 650, 654	1001118378.....519, 534
0641607.....207, 209, 211	1001081247 355	1001109478 337, 349	10011184495.....623
0641608..... 171, 207	1001081266 355	1001110704 113	1001119004.....561, 567, 572
0641609.....201	1001081310 359, 361	1001111112 337, 349	1001119278.....529
0641612.... 103, 107, 111, 201	1001090063 103, 107, 111	1001111190 113	1001119610.....429
0641614..... 191, 193	1001090064 103, 107, 111	1001112612 521, 534, 551, 553	1001120083.....185
0641618.17, 19, 185, 187	1001090140 103, 107, 111	1001112796 551, 553	1001120178.....311, 313, 315, 317
0641620.....525, 617	1001092481 63	1001114495 203, 205	1001120179.....311, 315
0641632.....525	1001092482 63	1001114675 379	1001120869..... 191, 193
0641636.....355	1001092877 654	1001114867 326, 332, 344	1001120914..... 103, 107, 111
0641652.....355	1001092878 654	1001116208 661	1001120915..... 103, 107, 111
0641864.....25	1001093171 137	1001116692 553, 562, 569	1001120989.....661
0642032.....99, 103, 105, 107, 109, 111	1001093273 133	1001116693 551, 553	1001121103.....311
0642640.....27, 271	1001093465 133	1001116694 553	1001121105.....315
0681810.... 103, 107, 111	1001093564 529	1001116710 536	1001121726.....535
0682418.....27	1001094134 129	1001116712 536, 593	1001121728.....535
0700610.....379	1001094136 129	1001116720 607, 625	1001121730.....535, 562, 568, 573
0700614..... 157, 583	1001094312 355	1001116723 575	1001125027.....562, 569, 572, 575
0700617.....341, 363	1001094330 133	1001116726 535	1001125083.....568
0700812.....211	1001094696 621	1001116727 535, 560, 566, 567, 568, 571	1001125085.....568
0700822.....341	1001094830 133	1001116728 560, 561, 562, 567, 569, 571, 572, 581, 619	1001125089.....568
0700827.....223, 225	1001095418 113	1001116729 535, 560, 566, 571, 603	1001125387.....630, 642
0700828.....363, 385	1001095650 319	1001116731 551	1001125784.....534
0701026..... 179, 181	1001095704 568, 677	1001116732 561, 573	
0701216.....199	1001095810 69	1001116734 561, 569, 573	
0701224.... 207, 209, 211	1001096019 67	1001116736 575, 595	
0711214.... 167, 169, 171, 207, 209, 211, 223	1001096020 67	1001116745 535, 560, 566, 571, 619	
0711219.... 167, 169, 171	1001096021 65	1001116747 605	
0711227.... 167, 169, 171	1001096023 65		
0711627.... 167, 169, 171	1001096024 67		
0711628.... 167, 169, 171	1001096025 65		
	1001096404 57		
	1001097079 599		
	1001097080 601		

SECTION 13 - SPECIAL OPTIONS/ACCESSORIES/KITS

1001125785..... 534	1001154375..... 617	1001162737..... 630, 634,	1001167168..... 207
1001126008..... 519, 534	1001154511..... 169, 175	638, 642, 646, 650, 654	1001167250..... 373
1001126351..... 571	1001154790..... 171, 177	1001162804..... 371, 373,	1001167251..... 375
1001126353..... 571	1001156009..... 34, 461	375, 377	1001167357..... 223, 225
1001126356..... 571	1001157102..... 441	1001162806..... 371	1001167528..... 569
1001126391..... 567	1001157663..... 223, 225	1001163174..... 634, 646	1001167617..... 568
1001126393..... 567	1001157890..... 519, 534,	1001163206..... 634, 646	1001167620..... 566
1001126484..... 569	535, 562, 569	1001163210..... 634, 646	1001167624..... 566
1001126487..... 569	1001157891..... 575, 595	1001163212..... 634, 646	1001167641..... 561, 568
1001127066..... 625	1001158002..... 387, 415,	1001163222..... 634, 646	1001167643..... 561, 568
1001127226..... 508, 512,	676	1001163285..... 634, 646	1001167644..... 561, 568
516, 531	1001158004..... 413, 415	1001163300..... 634, 646	1001167646..... 561, 568
1001127699..... 609, 676	1001158040..... 393, 427	1001163304..... 634, 646	1001167647..... 561, 568
1001127700..... 609	1001158046..... 393, 421	1001163323..... 634, 646	1001167648..... 561, 568
1001127784..... 267, 269	1001158272..... 630, 642	1001163355..... 634, 646	1001167649..... 561, 568
1001127864..... 17, 19, 21	1001158319..... 630, 642	1001163414..... 103, 107,	1001167650..... 561, 568
1001127867..... 21	1001158320..... 654	111, 469	1001168052..... 185
1001128341..... 191, 193	1001158321..... 654	1001163685..... 439	1001168053..... 185
1001128363..... 209	1001158357..... 441	1001163841..... 45, 47	1001168066..... 347, 349
1001128364..... 209	1001158398..... 413	1001164039..... 45, 47	1001168286..... 41
1001128594..... 173, 175,	1001158404..... 341, 363	1001164096..... 349	1001168451..... 439
177	1001158527..... 443	1001164099..... 349	1001168478..... 193, 197
1001128714..... 209	1001158528..... 441, 443	1001164196..... 363	1001168567..... 39
1001128890..... 73	1001158576..... 429	1001164282..... 337	1001168822..... 169
1001128901..... 209	1001158786..... 411, 413	1001164284..... 337	1001168859..... 219
1001129285..... 536, 676	1001159186..... 534, 535	1001164404..... 207	1001169001..... 217
1001129407..... 549	1001159319..... 17, 19	1001164717..... 337, 349	1001169006..... 17, 19
1001129615..... 609	1001159844..... 341, 363,	1001164837..... 207	1001169057..... 207, 209,
1001130307..... 508, 512,	365	1001164838..... 207	211
516, 677	1001159850..... 332, 676	1001165057..... 15	1001169059..... 191, 193
1001131271..... 630, 634,	1001159851..... 344, 676	1001165194..... 567	1001169077..... 185
638, 642, 646, 650, 654	1001159856..... 337, 349,	1001165275..... 355	1001169172..... 213
1001133072..... 107, 111	353	1001165276..... 355	1001169271..... 203
1001133173..... 571	1001159860..... 337, 339	1001165517..... 167, 169,	1001169272..... 203, 205
1001133534..... 201, 676	1001159861..... 349, 351	171	1001169274..... 203, 205
1001134488..... 191, 193	1001159878..... 326, 332,	1001165518..... 167, 169,	1001169329..... 481, 483
1001135770..... 613	344	171	1001169466..... 483, 487,
1001135777..... 613	1001159932..... 207	1001165590..... 45, 47	489
1001136358..... 199, 201	1001160071..... 371	1001165609..... 207	1001169620..... 512, 566
1001136975..... 199, 201,	1001160072..... 667	1001165617..... 329, 335,	1001169787..... 355
203, 205	1001160116..... 167, 169,	347	1001169816..... 625
1001137512..... 131	171	1001165660..... 167, 169,	1001170230..... 609
1001138642..... 571	1001160782..... 207	171	1001170233..... 508, 512,
1001138643..... 571	1001160785..... 337, 349	1001165668..... 163, 165,	516, 609
1001138645..... 171	1001160787..... 373	181	1001170234..... 508, 512,
1001139578..... 630, 642	1001160788..... 329, 335,	1001165672..... 161, 163,	516, 613
1001139942..... 654	347	199	1001170235..... 613
1001141892..... 25	1001160790..... 329, 335,	1001165673..... 161, 163,	1001170269..... 508, 512,
1001142247..... 140	347	203	516, 677
1001142452..... 642, 646,	1001160791..... 329, 335,	1001165806..... 337, 349,	1001170316..... 461
650, 654	347	355	1001170329..... 479, 489
1001143551..... 519	1001160815..... 329	1001165818..... 185	1001170738..... 326, 332,
1001144147..... 519, 551,	1001160845..... 163, 169	1001165823..... 335, 337	344
553	1001160912..... 375	1001166008..... 225	1001170856..... 483
1001144629J..... 69	1001160916..... 673	1001166229..... 161, 163,	1001171188..... 427
1001145026..... 479, 489	1001160945..... 669	165, 221	1001171190..... 421
1001145707..... 561, 573	1001161212..... 579	1001166238..... 185	1001171191..... 425
1001146160..... 73	1001161213..... 577	1001166556..... 567	1001171193..... 425
1001147515..... 25	1001161920..... 167, 169,	1001166566..... 183, 185	1001171194..... 425
1001148177..... 379	171	1001166693..... 207	1001171234..... 508, 512,
1001149227..... 329, 337,	1001162212..... 217	1001166704..... 568, 569	516
349	1001162734..... 630, 634,	1001166715..... 187	1001171236..... 508, 512,
1001149712..... 534, 551	638, 642, 646, 650, 654	1001166935..... 207, 209,	516
1001152415..... 303	1001162735..... 630, 634,	211	1001171237..... 508, 512,
1001152416..... 303	638, 642, 646, 650, 654	1001166976..... 207	516
1001153748..... 503	1001162736..... 630, 634,	1001167025..... 41	1001171238..... 508, 512,
1001154055..... 319	638, 642, 646, 650, 654	1001167167..... 207	516

SECTION 13 - SPECIAL OPTIONS/ACCESSORIES/KITS

1001171239.....508, 512, 516	1001178776..... 191, 193, 201, 479, 489	1001187239 634, 646	1001196109.....417
1001171384.....17	1001179229..... 341, 363	1001187512 568	1001196124..... 161, 167
1001171385.....17, 19	1001179375 199	1001187513 568	1001196128.....337, 349
1001171472.....217	1001179845..... 191, 193	1001187952 536	1001196396.....209
1001171473.....217	1001180175..... 634, 646	1001189017 630, 634, 638, 642, 646, 650, 654	1001196397.....209
1001171474.....217	1001180176..... 634, 646	1001189211 101	1001196665..... 167, 173
1001171633.....508, 512, 516	1001180227 211	1001189318 205	1001196736..... 161, 179
1001171757.....508, 512, 516	1001180244 221	1001189327 630, 634, 638, 642, 646, 650, 654	1001196806.....642, 646, 650
1001171786.....441	1001180473..... 167, 169, 171	1001189328 630, 634, 638, 642, 646, 650, 654	1001197098.....337, 349
1001171802.....199	1001181584..... 191, 193	1001189488 516, 571	1001197099.....337, 349, 355
1001171803.....199	1001181585..... 191, 193	1001189602 205	1001197233..... 169, 171, 223
1001171805..... 199, 201	1001181707..... 337, 349	1001189712 205	1001197475..... 191, 195
1001171806.....344, 363	1001181893..... 337, 349	1001189715 205	1001198355.....157
1001171807.....332, 341	1001181899..... 213, 508, 512, 516	1001189871 617	1001198684.....439
1001171873.....393, 419	1001181903..... 337, 349	1001189875 560, 561, 567, 571, 572	1001198728.....525
1001171986.....419	1001181956 326	1001189877 568, 571	1001199116.....479, 489
1001172135.....512	1001181968..... 337, 349	1001189886 617, 619	1001199135.....479, 489
1001172136.....512	1001182091..... 337, 349, 545, 579	1001190005 187	1001199136.....479, 489
1001172537.....341, 363	1001182094 199	1001190007 187	1001199177.....479, 489
1001172658.....15	1001182135 355	1001190183 187	1001199181.....479, 489
1001172784.....397, 503	1001182255..... 191, 193	1001190229 326, 332, 344, 367	1001199199.....489
1001173177.....441	1001182408 355	1001190295 223	1001199205.....479, 489, 676
1001173217.....341, 363	1001182470..... 337, 349, 361	1001190341 17, 19	1001199210.....479, 489
1001173422.....642, 646, 654	1001182514 355	1001190344 201	1001199670.....217
1001173535..... 171, 217	1001182603 199	1001190349 201	1001199737.....680
1001173581.....385, 676	1001182663 355	1001190370 201	1001199738.....680
1001173582.....385, 676	1001182723 363	1001190371 201	1001199889..... 508, 560
1001173841.....393, 425	1001182798 363	1001190372 201	1001199951.....217
1001174152.....638, 642, 646, 650	1001182800 355	1001190629 201	1001200833.....534
1001174227.....15	1001182808 355	1001190630 201	1001200845.....535, 607
1001174327.....207, 209, 211	1001182810 355	1001190631 201	1001201111..... 199, 201
1001174340.....385	1001182842 355	1001190632 211	1001201453.....680
1001174375.....433	1001182865 355	1001190990 211	1001201454.....680
1001174822.....181	1001182871 355	1001191635 379	1001201455.....680
1001175568..... 199, 201	1001182882 355	1001192049 536	1001201456.....680
1001175733.....619	1001182883 355	1001192050 536	1001201459.....680
1001176002.....566	1001182884 355	1001192134 171	1001201460.....680
1001176004.....566	1001183084 355	1001192390 17, 19	1001201658.....326, 333, 345
1001176337.....583, 585, 587, 597, 599, 601	1001183104 355	1001192401 562, 569, 573	1001201721.....407, 493
1001176515.....71	1001183164 326, 332, 344	1001192711 157	1001201734.....405
1001176935.....568, 569	1001183209 355	1001192720 157	1001201737.....405
1001177168.....680	1001183341 389	1001192875 157	1001201738.....405
1001177190.....15	1001183370 405	1001192876 157	1001201752.....583
1001177192.....15	1001183811 207	1001192877 157	1001201831.....185
1001177198.....536, 593, 607	1001184316 609, 677	1001193427 680	1001201945.....203, 205
1001177746.....337, 349, 355	1001184491 623	1001193428 680	1001201983.....203
1001177753.....417	1001184493 623	1001193540 157	1001202189.....329, 335, 347
1001178224.....397	1001184496 623	1001193729 157	1001202202.....329, 335, 347
1001178285.....508, 512, 516, 534	1001184835..... 508, 512, 623	1001194592 439	1001202247.....229
1001178345.....577, 579, 581	1001185071 221	1001194620 397	1001202304.....229
1001178346.....583, 595	1001185652..... 165, 205	1001194745 397	1001202384.....425
1001178347.....332, 344, 575	1001185776 332	1001195055 562, 569, 573	1001202615.....329
1001178349.....337, 349, 625	1001185777 344	1001195057 562, 573	1001202626.....630, 634
	1001186373..... 167, 169	1001195087 562, 568, 569, 573	1001202627.....630, 634, 654
	1001186417..... 609, 677	1001195760 535	1001202746.....329, 335, 347
	1001186490..... 165, 201	1001195826 477, 481, 487	1001202904.....143
	1001186718 171	1001195913 545	1001203181.....229, 676
	1001186841..... 508, 512, 516, 527	1001195970 89	1001203503.....157
	1001187078 519		

SECTION 13 - SPECIAL OPTIONS/ACCESSORIES/KITS

1001203969 203, 205	1001222219..... 311	1001232500..... 73	1001239958 557
1001203970 203	1001222220..... 315	1001232517 27	1001239967 45, 47
1001204032 229, 491	1001222221..... 309	1001232518..... 27	1001239988 680
1001204045 34	1001222717..... 319	1001232599..... 227	1001241305 381
1001204097 203, 205	1001222870..... 267	1001232624..... 227	1001241368 43
1001204098 203, 205	1001223050..... 389, 407	1001232750..... 227, 555	1001241369 39
1001204099 203	1001223052..... 326, 333, 345, 389	1001233174..... 611	1001241438 41
1001204692 611, 617	1001223453..... 630, 634, 642, 646	1001233217..... 611	1001241480 41
1001205172 535, 607, 677	1001224096..... 217	1001233236..... 543, 677	1001241541 39
1001205248 583, 593, 597	1001224459..... 397, 399	1001233237..... 543	1001241549 45
1001205264 583, 597	1001224467..... 399	1001233383..... 103	1001241567 35, 45
1001206542 523	1001225317..... 319	1001233384..... 107	1001241711 15
1001206543 525	1001226328..... 541, 677	1001233385..... 111	1001241837 313, 317
1001206956 229	1001226400..... 549	1001233434..... 611	1001241841 313
1001206983 229	1001226541..... 551	1001233828..... 611	1001241842 317
1001206985 229	1001226636..... 551	1001233964..... 555, 557, 621	1001241848 313
1001207173 615	1001226637..... 551	1001233976..... 611, 615	1001241849 317
1001207217 630, 642	1001226795..... 403	1001234216..... 529, 555, 557	1001242031 17
1001207218 654	1001226796..... 677	1001234530..... 555	1001242032 17, 19
1001207606 135	1001226799..... 547	1001235725..... 203	1001242035 17, 19
1001207963 326, 333, 345	1001226856..... 545, 547, 551	1001235794..... 638, 650	1001242036 43
1001209097 573	1001227066..... 541, 543, 549	1001235796..... 638, 650	1001242051 41
1001210093 405	1001227068..... 549	1001235797..... 638, 650	1001242070 39
1001210351 179	1001227077..... 229	1001235798..... 638, 650	1001242122 638, 650
1001210703 326, 332, 344, 676	1001227211..... 477, 479	1001235799..... 638, 650	1001242172 638, 650
1001210776 536	1001227266..... 549	1001235801..... 638, 650	1001242173 638, 650
1001210777 536	1001227382..... 127	1001235802..... 638, 650	1001242179 638, 650
1001210778 536	1001227382..... 127	1001235803..... 638, 650	1001242181 650
1001210779 536	1001227459..... 545	1001235804..... 638, 650	1001242203 37
1001210859 405	1001227508..... 429	1001235805..... 638, 650	1001242238 393
1001210860 405	1001227636..... 399, 401	1001236312..... 650	1001242243 393, 409
1001210862 405	1001227636..... 399, 401	1001236313..... 638	1001242303 37
1001210863 405	1001227670..... 75, 83, 91, 93, 97, 113	1001237845..... 377	1001242305 37
10012110863 405	1001227964..... 229	1001237846..... 671	1001242308 43
1001211139 113	1001228872..... 217	1001237847..... 597	1001242309 43
1001211278 634, 646	1001228954..... 547, 677	1001237853..... 597, 599	1001242310 41
1001211516 109	1001228986..... 483, 485	1001237854..... 597, 601	1001242311 35
1001211688 171	1001229023..... 219	1001238111..... 583, 597, 605	1001242316 43
1001211690 171	1001229024..... 219	1001238199..... 583, 597, 603	1001242327 447
1001211697 171	1001229025..... 213, 219	1001238560..... 69, 157	1001242583 39
1001212670 187	1001229095..... 483	1001238565..... 63, 65, 67, 69	1001242608 35, 47
1001213200J 309	1001229107..... 541	1001238566..... 157	1001242609 47
1001213210 213, 215	1001229117..... 213, 217	1001238570..... 157	1001242644 97
1001213574 525	1001229210..... 217	1001238653..... 63	1001242682 57
1001213885 680	1001229458..... 539, 676	1001238654..... 65	1001242688 447, 457
1001213938 203	1001229708..... 661	1001238655..... 67	1001242748 265
1001214398 680	1001230239..... 73	1001238893..... 680	1001242749 265, 271
1001215941 229, 677	1001230241..... 73	1001239179..... 447, 459	1001242750 265, 267
1001216291 19	1001230307..... 642	1001239181..... 447, 463	1001242755 481
1001216455 229, 519	1001230309..... 646	1001239182..... 447, 471	1001242909 487
1001218358 519	1001230402..... 519	1001239183..... 25, 465	1001242910 477
1001218659 630, 642	1001230931..... 534	1001239250..... 547	1001242916 377
1001219045 405	1001231397..... 519, 521	1001239455..... 680	1001242920 25
1001219082 229, 539	1001231398..... 519	1001239473..... 31	1001242923 35, 49
1001219211 634, 638, 646, 650, 654	1001231400..... 519, 521	1001239474..... 31, 34	1001242924 49
1001219212 642	1001231401..... 519	1001239475..... 35, 37	1001242925 433, 497
1001219895 539, 553	1001231402..... 519	1001239476..... 35, 39	1001242926 379
1001220260 355	1001231404..... 519, 521	1001239477..... 35, 41	1001242927 642
1001220468 539	1001231406..... 519	1001239478..... 35, 43	1001242928 646
1001222200 319	1001231560..... 229, 521	1001239539..... 229	1001242929 654
1001222203 319	1001231692..... 73	1001239734..... 103, 107, 111	1001242930 630
1001222217 303	1001231801..... 630, 642		1001242931 634
1001222218 305	1001232355..... 125		1001242948 23, 25
	1001232439..... 227		1001242959 23, 27
			1001242960 23
			1001242986 185
			1001242996 35, 59

SECTION 13 - SPECIAL OPTIONS/ACCESSORIES/KITS

1001243025.....59	1001245745..... 650	1001261688..... 680	1170021.....99
1001243026.....59	1001245746..... 638	1001261689..... 680	1170024.....105
1001243183.....680	1001246001..... 307	1001261690..... 680	1319203.....237
1001243184.....680	1001246078..... 638, 650	1001261691..... 680	1319204.....237
1001243219.....59	1001246550..... 409	1001261692..... 680	1319205.....237
1001243411.....433, 439	1001246735..... 329, 347	1001262057..... 659	1319209.....237
1001243412.....393, 439	1001246736..... 326, 329	1001262058..... 657	1319210.....237
1001243577.....680	1001246737..... 333, 335	1001262231..... 680	1319211.....237
1001243783.....163	1001246738..... 344, 347	1001262322..... 545	1319213.....237
1001243879.....165	1001247045..... 431, 495	1001262327..... 545	1319557.....239
1001243880.....161	1001247171..... 431, 439	1001262960..... 541, 543	1319558.....239
1001243881.....163, 207	1001247421..... 617, 676	1001262963..... 541, 543	1319563.....239
1001243882.....161, 163, 185	1001247654..... 439	1001263011..... 301	1319565.....239
1001243883.....165, 187	1001247857..... 435, 499	1001264534..... 611	1319566.....239
1001243884.....163, 165, 193	1001248777..... 37	1001264536..... 611	1319569.....241
1001243885.....163, 213	1001249695..... 680	1001264554..... 326, 332, 344	1319570.....241
1001243886.....165, 171	1001249941..... 680	1001264700..... 301	1319571.....241
1001243887.....161, 191	1001250165..... 27	1001264713..... 301	1319574.....241
1001243888.....161, 209	1001250505..... 447	1001264713..... 301	1319575.....241
1001243889.....165, 211	1001250506..... 403	1001265272..... 355	1319576.....241
1001244020.....659	1001250700..... 508, 512, 516	1001265679..... 611	1319577.....241
1001244085.....19	1001250718..... 43	1001265680..... 611	1319582.....241, 263
1001244277.....207, 209, 211	1001250818..... 393, 403	1001265914..... 326, 333, 345	1319583.....241
1001244278.....439	1001251208..... 583, 680	1001265979..... 611	1319584.....241
1001244302.....439	1001251270..... 583, 585	1001265980..... 611	1319585.....241, 263
1001244306.....417	1001251271..... 583, 587	1001265982..... 611	1319586.....241
1001244307.....417	1001251423..... 437, 475	1001265986..... 611	1319587.....241
1001244308.....393, 417	1001251426..... 437, 439	1001265987..... 611	1319590.....241
1001244357.....393, 411	1001251503..... 508, 512, 516, 607	1001265987..... 611	1319591.....243
1001244359.....423	1001252320..... 512	1001268341..... 680	1319592.....243
1001244361.....423	1001252321..... 508	1001270753..... 630, 634, 638	1319593....243, 245, 247, 249, 251, 253
1001244504.....397, 401	1001252322..... 516	1005798200..... 271, 273	1319594....243, 245, 247, 249, 251, 253
1001244505.....401	1001252322..... 516	1010278300..... 271, 287	1319595....243, 245, 247, 249, 251, 253
1001244530.....393, 397	1001252968..... 413	10139087 . 630, 634, 638, 642, 646, 650, 654	1319596....243, 245, 249
1001244577.....25	1001252969..... 413	1023036000..... 267	1319600....243, 245, 247, 249, 251, 253
1001244592.....27	1001252970..... 413	10268515..... 187, 189	1319601....243, 245, 247, 249, 251, 253
1001244608.....191, 193	1001252971..... 413	10268516..... 187	1319602....243, 245, 247, 249, 251, 253
1001244610.....393, 423	1001252986..... 307	1060379..... 69	1319603....243, 245, 247, 249, 251, 253
1001244616.....191, 193	1001253829..... 680	1060626..... 529, 621	1319604....243, 245, 247, 249, 251, 253
1001244617.....191, 193	1001254099..... 413	10700681..... 129	1319605....243, 245, 249
1001244650.....385	1001254386..... 433	10719267..... 185	1319606....243, 245, 249
1001244652.....385	1001254411..... 459	10725554..... 277, 291	1319607.....243
1001244653.....385	1001254736..... 630, 634, 638, 642, 646, 650, 654	10725627..... 297	1319608.....243, 253
1001244654.....385	1001255574..... 457	10727374..... 389	1319609.....243
1001244867.....393, 429	1001256519..... 326, 332, 344	10728823..... 405	1319610.....243
1001244871.....429	1001257141..... 429, 435	10731702..... 237	1319611.....243
1001244980.....405	1001257141..... 429, 435	10731709..... 259, 261	1319612....243, 245, 247, 249, 251, 253
1001245054.....405, 411	1001258010..... 680	10731744..... 241	1319613.....245
1001245057.....411, 441	1001258100..... 381	10731748..... 237	1319614.....245
1001245058.....441	1001258244..... 369	10731751..... 237	1319615....245, 249, 251
1001245059.....393, 395	1001258245..... 369	10731845 . 243, 245, 249	1319616.....247
1001245060.....395	1001258645..... 577, 579	10731913..... 239	1319617....247, 251, 253
1001245061.....395	1001258779..... 35	10731959..... 255	1319618....247, 251, 253
1001245067.....409	1001258911..... 34, 473	10732063..... 259, 261	1319619.....247
1001245068.....409	1001258991..... 527	10732064..... 259	1319620....247, 251, 253
1001245070.....429	1001259206..... 121	10732071..... 257	1319621....247, 251, 253
1001245093.....447	1001259302..... 657	10732072..... 257	1319622....247, 251, 253
1001245158.....423	1001259303..... 657	10732095..... 237	1319623....247, 251, 253
1001245213.....27, 271	1001259304..... 657	10732150..... 17, 19	
1001245214.....27, 271	1001259305..... 657	10837928..... 497	
1001245215.....27, 271	1001259306..... 657	10839156..... 255	
1001245474.....663	1001259417..... 657	1101312..... 189, 676	
1001245475.....665	1001259635..... 307	1101313..... 189, 676	
1001245478.....191, 193	1001260509..... 623	1101841..... 269	
	1001260645..... 680	1170012..... 99	

SECTION 13 - SPECIAL OPTIONS/ACCESSORIES/KITS

1319624 247, 251, 253	1319715261	2220473.....25, 113, 425, 433	3251813 ... 630, 634, 638, 642, 646, 650, 654
1319625 247, 251, 253	1319717261	2220474.....435, 503	3290501 227
1319626 247, 251, 253	1319718263	2220497.....433	3290505 229, 539
1319627 247, 251, 253	1319719263	2220498.....621	3290601 ... 157, 508, 512, 516
1319628 247, 251, 253	1319720263	2220499.....479, 489	3290605... 199, 201, 341, 363, 508, 516
1319629 247, 251, 253	1319721263	2220500.....34, 399, 401, 435, 443, 503	3290801 ... 207, 355, 508, 512, 516
1319630 247, 251, 253	1319722263	2220582.....415, 433	3290805 ... 171, 213, 341, 363
1319631 247, 251, 253	1319723263	2220596.....409, 431, 433	3291205 199
1319632 247, 251, 253	1319724263	2220600.....431	3300240 99, 103, 105, 107, 109, 111
1319633 247, 255	1319725263	2220603.....437, 443	3300429 479, 489
1319634 249	1319726263	2220605.....389, 401	3311401 ... 191, 193, 326, 332, 344, 611
1319635 249	1320022 ... 205, 326, 332, 344	2220606.....433	3311405 69
1319636 249, 251, 253	1320032217	2220622.....621	3311502 157
1319637 251	1321094 173, 175, 177	2220635....399, 423, 429, 431, 479, 489	3311601 43
1319638 251, 253	1322039 173, 175, 177	222065134	3311605 525
1319639 253	1322040 173, 175, 177	2220654.....401	3331615 167, 169, 171
1319641 255	1600429 ... 326, 332, 344, 677	2220700.....621	3391410 157
1319643 255	1701509 69	2220726.....431	3421453 69
1319646 255	1701640 ... 630, 634, 638, 642, 646, 650, 654	2220738.....433	3423226 31
1319647 255	1702300 ... 630, 634, 638, 642, 646, 650, 654	2220819.....433	3423227 447
1319648 255	1702773 63, 65, 67	2220828.....433	3423242 105, 107
1319649 255	1704277 69	2220878.....433	3423248 27
1319650 257	1704885 63, 65, 67	2220883.....499	3423254 271
1319652 257, 259	1706098 654	2220885.....499	3423275 99, 103
1319659 257	1706279 654	2220947437	3423276 109, 111, 113
1319661 257, 259	1706281 654	2220950.....503	3423307 ... 103, 107, 111
1319670 259, 261	1706282 654	2220998.....433	3440620 73
1319671 259	1706284 654	2221042.....503	3520030 17, 19
1319673 259	1706285 654	2221344.....389	3520072 69
1319674 259	1706288 654	2230025.....34	3520198 69
1319675 259	1706296 630, 642	2230044.....395	3740080 229, 677
1319676 259	1706298 630, 642	2340037.....115	3760170 69
1319677 259	1706299 630, 642	2340038.....123	3790152 229
1319678 259	1706300 630, 642	2340039.....119	3820020 69
1319679 259	1706301 630, 642	2400060.....562, 573	3841203 ... 103, 107, 111
1319680 259	1706302 157	2400066.....569	3841520 447
1319681 259	1706306 630, 642	24921332.....209, 211	3930610 326, 332, 344
1319682 259	1706768 630, 642	2600281 69	3931012 611, 617
1319683 259	1706850 630, 642	271364253	4031608 227
1319684 259	1706892 63	2716665.....429	4060803 337, 349
1319685 259	2080040 69	2716673.....397	4060804 15
1319686 259	2110606 ... 103, 107, 111	2716675.....425	4060805 15
1319687 259	2130808 ... 103, 107, 111	2716686.....425	4060806 326, 332, 344
1319688 259	2131210 233	2716688.....425	4100181 ... 630, 634, 638, 642, 646, 650, 654
1319689 259	2131212 ... 191, 193, 233	2716691425	4105262 57
1319690 259	2172106 ... 103, 107, 111	271670925	4107442 ... 630, 634, 638, 642, 646, 650, 654
1319691 259	2180798 187	2716715.....409	4107971 630, 642
1319692 259	2220218201	2717283.....101, 451	4108302 ... 630, 634, 638, 642, 646, 650, 654
1319693 259	2220239 479, 489	2717287.....113	4110422 ... 73, 75, 81, 83, 85
1319694 259	2220371 ... 415, 425, 431, 433, 435	2900770.....465	4240032 ... 541, 543, 545, 547, 611
1319695 259	2220372 435	2910996.....680	4240099 167, 169, 171
1319696 259, 261	2220373 ... 409, 431, 435, 443	2915023.....455	4360569 326, 332, 344
1319697 259	2220374 ... 429, 433, 621	2940074.....69, 676	4360690 ... 326, 332, 344, 677
1319698 259	2220375 ... 425, 479, 489	3020039....31, 34, 37, 39, 41, 43	4420037 17, 19
1319699 259	2220377 433	31200160.....63	
1319700 259	2220385 ... 405, 409, 429, 431	31200386.....67	
1319701 259	2220415 113, 423	31200387.....65	
1319702 259, 261	2220451 433	31200388.....65	
1319703 259, 261	2220472 433		
1319704 259			
1319705 259			
1319707 259, 261			
1319710 261			
1319711 261			
1319712 261			
1319713 261			
1319714 261			

SECTION 13 - SPECIAL OPTIONS/ACCESSORIES/KITS

4460019.....561, 562, 568, 569, 571, 572, 573	4460905 534	4891500 209	70021464.....449
4460042.....560, 561, 566, 572	4460930 521, 534, 535	4891600 ... 185, 187, 207, 209, 211, 583, 597	70021465.....449
4460142.....573	4460931 ... 519, 560, 566, 571, 595	4891800 103, 107, 111	70021466.....449
4460183.....619	4460933 ... 535, 553, 575, 595, 615	4892400 27	70021613.....297
4460234.....545, 547, 611	4460941 595, 607	5240800 223, 225	70021812.....455
4460247.....561, 562, 569, 573	4460942 534, 575, 595	5242400 157	70021867.....475
4460256.....561, 567, 572	4460944 553	5251014 326, 332, 344	70021921.....75, 85
4460268.....575	4460945 519	5724622 43	70021935.....75, 85
4460312.....562, 568, 569, 573	4460950 575	5746411 37	70021948.....355, 676
4460321 519	4460955 ... 561, 567, 568, 572	6604662 113	70021977.....75, 85
4460326.....575	4460970 ... 534, 535, 607, 615	70002219 469	70021978.....75, 85
4460419.....534, 581, 595, 603, 625	4460994 534, 625	70002224 469	70021979.....75, 85
4460457.....531, 603, 605, 607	4461006 568, 569	70003738 475	70021980.....87
4460458.....519, 531, 535, 560, 561, 562, 566, 567, 568, 569, 571, 572, 573, 581, 607, 619	4461017 ... 535, 593, 595	70003849 469	70021981.....87
4460459.....531	4461018 593, 603	70006285 .. 463, 465, 471	70021982.....87
4460464.....519, 521, 534, 535, 549, 551, 553, 560, 566, 571, 575, 581, 595, 607, 615, 625	4461070 ... 534, 553, 568, 569, 573	70010239 680	70022008.....497
4460465.....519, 521, 534, 535, 551, 560, 561, 562, 566, 567, 568, 569, 571, 572, 573, 575, 581, 595, 607, 615	4461095 ... 561, 568, 569, 573	70020002 97, 101	70022014.....497
4460466.....519, 521, 534, 535, 551, 553, 560, 561, 562, 566, 568, 569, 571, 573, 575, 595, 607, 615	4461103 536, 607	70020004 147	70022028.....75, 85
4460475.....519, 531, 560, 562, 566, 569, 571, 572, 607	4461157 ... 560, 566, 571, 607	70020028 97, 101	70022044.....455
4460476.....531, 562, 569, 572	4520356 307	70020375 461	70022045.....455
4460508.....535, 593, 595	4520527 305	70020425 257	70022046.....455
4460509.....534, 593, 603	4640438 465	70020426 257	70022140.....277, 291
4460518.....519, 534, 553	4641122 307	70020427 261	70022527.....75, 85, 87
4460539.....519, 615	4710600 ... 326, 333, 345	70020428 455	70022528.....75, 85
4460608.....562, 569, 572	4711000 611	70020430 255	70022529.....75, 85
4460742.....519, 603, 605, 607	4711400 69, 191, 193, 337, 349, 508, 512, 516, 523, 611, 617	70020431 255	70022634... 173, 175, 177
4460744.....560, 567, 571	4711500 ... 167, 169, 191, 193, 355	70020555 135, 137	70022650.....493
4460746.....568	4711600 57, 201, 508, 512, 516, 525	70020562 87	70022871.....680
4460761.....519, 534	4740362 191, 193	70020652 361	70022872.....680
4460789.....535, 603, 605	4750800 381	70020743 493	70022931.....78
4460790.....535, 593	4751400 217, 355	70020745 493	70022932.....78
4460809.....519	4761400 ... 326, 332, 344, 609	70020867 503	70022934.....78
4460836.....534	4761500 167, 169	70020876 351	70022935.....79
4460850.....560, 566, 571	4811400 ... 83, 91, 93, 113	70021342 85, 87	70022936.....78
4460871.....534	4811600 ... 201, 227, 229, 381, 539	70021349 75, 85	70022937.....79
4460872.....534	4811700 ... 157, 167, 169, 171, 199, 217, 341, 363, 512, 583	70021351 97	70022939.....79
4460884.....534, 562, 566, 569, 573, 595	4811702 ... 171, 341, 363, 508, 516	70021358 87	70022942.....79
4460891.....519, 534, 535, 560, 561, 566, 567, 568, 571, 572, 581, 607	4811900 ... 207, 209, 211, 213, 341, 363, 508, 512, 516	70021359 87	70022946.....79
4460894.....551, 595	4811902 171, 185, 319	70021360 87	70022949.....79
4460897.....535, 581, 625	4812000 ... 171, 179, 181, 199, 207	70021361 87	70022950.....79
	4812100 ... 167, 169, 171, 199, 207, 209, 211, 223, 508, 512, 516	70021362 87	70022952.....79
	4812300 167, 169, 171	70021364 87	70022957.....78
	4812700 34	70021365 87	70022960.....78
	4831600 227	70021366 87	70022969.....78
	4831700 583	70021367 87	70022970.....78
	4832000 179, 181	70021376 97, 453	70022980.....79
		70021377 97	70022984.....78
		70021378 97	70022985.....78
		70021379 97	70022987.....78
		70021382 97	70022990.....79
		70021387 75, 87	70022992.....78
		70021389 97	70022993.....78
		70021391 87	70022994.....78
		70021392 87	70022995.....78
		70021393 87, 449	70022996.....140
		70021399 87	70022998.....79
		70021415 75, 85	70023000.....140
		70021440 ... 71, 101, 449, 453	70023003.....78
		70021444 449, 453	70023004.....78
		70021445 453	70023005.....79
		70021446 449, 453	70023006.....79
		70021447 449, 453	70023007.....79
		70021448 449, 453	70023008.....78
		70021451 449, 453	70023009.....78
		70021452 449, 453	70023010.....78
			70023014.....78
			70023015.....79

SECTION 13 - SPECIAL OPTIONS/ACCESSORIES/KITS

70023016	78	70025606	469	70026122	353	70026592	140
70023116	280, 294	70025852	183, 676	70026123	339, 353	70026593	140
70023174	680	70025853	183, 676	70026124	353	70026594	140
70023404	241	70025856	277	70026133	497	70026595	140
70023482	237	70025857	279, 293	70026216	575	70026596	140
70023483	237	70025859	407, 493	70026217	562, 569, 575	70026597	140
70023489	291	70025887	277, 291	70026220	173, 175	70026598	140
70023490	277, 291	70025897	475, 677	70026221	173	70026599	140
70023493	291	70025959	469	70026222	173, 177	70026600	140
70023494	277, 291	70025970	283	70026223	175	70026601	140
70023506	499	70025982	497	70026224	173, 175, 177	70026602	140
70023507	499	70026002	279, 293	70026225	173, 175, 177	70026603	140
70023508	499	70026036	461	70026226	173, 175, 177	70026604	140
70023736	173, 175, 177	70026039	461	70026228	173, 175, 177	70026605	140
70023829	280, 294	70026040	461	70026229	173, 175, 177	70026606	140
70023885	241, 263	70026041	461	70026230	173, 175, 177	70026607	140
70023925	79	70026042	461	70026231	173, 175, 177	70026608	140
70023933	173, 175	70026043	461	70026232	173, 175, 177	70026609	140
70024004	277	70026056	469	70026233	177	70026610	467
70024016	173, 175, 177	70026057	469	70026234	173, 177, 676	70026611	467
70024020	469	70026058	469	70026235	173, 175, 177	70026612	501
70024059	75, 85	70026059	469	70026236	175	70026613	501
70024060	85	70026060	469	70026237	173, 175, 177, 676	70026614	501
70024062	71	70026061	469	70026241	173, 175, 177	70026615	501
70024123	140	70026062	469	70026244	215	70026616	501
70024129	467, 501	70026066	279, 293	70026245	215	70026617	501
70024130	501	70026075	195, 197	70026247	215	70026618	501
70024146	279, 293	70026076	195, 197	70026248	215	70026619	501
70024147	279, 293	70026077	195, 197	70026248	215	70026620	501
70024152	479, 489	70026078	195, 197	70026262	283	70026621	501
70024186	475	70026079	195, 197	70026263	283	70026652	497
70024189	475	70026080	197	70026264	283	70026653	497
70024202	497	70026081	195, 197	70026347	140	70026698	75, 85
70024210	283, 297	70026082	195, 197	70026352	361	70026699	71
70024213	283	70026083	195, 197	70026370	497	70026745	135
70024215	283	70026085	495, 676	70026376	497	70026746	135
70024216	297	70026087	495	70026393	183	70026747	71, 297
70024253	560, 566	70026088	365	70026394	183	70026748	297
70024254	560, 566	70026089	365	70026401	443	70026750	277
70024255	560, 566	70026090	365	70026448	680	70026770	451
70024256	560, 566	70026091	365	70026453	173, 175, 676	70026771	451
70024262	469	70026092	365	70026470	140	70026773	451
70024306	131	70026093	365	70026471	140	70026774	451
70024307	131	70026097	387	70026472	140	70026775	451
70024407	475	70026098	387	70026473	140	70026800	177
70024408	475	70026100	353	70026476	140	70026801	177, 676
70024411	475	70026101	353	70026478	501	70026854	351
70024412	475	70026102	353	70026481	140	70026944	71
70024414	475	70026103	353	70026482	140	70026945	351
70024415	475	70026104	353	70026495	467	70026946	71
70024416	475	70026105	353	70026497	467	70026948	71
70024538	140	70026106	353	70026499	467	70026949	71
70024550	140	70026107	353	70026500	467	70026978	339, 351
70024734	467	70026108	353	70026501	140, 467	70026979	351
70024848	283	70026109	353	70026502	467	70026980	351
70024849	283	70026110	353	70026503	467	70026981	339, 351
70024851	279	70026111	353	70026505	467	70026982	339, 351
70024855	353	70026112	353	70026506	467	70026983	339, 351
70024881	275, 279, 289, 293	70026113	353	70026564	499	70026984	351
70025337	291	70026114	353	70026582	503, 676	70026985	351
70025338	291	70026115	353	70026585	140	70026986	351, 677
70025339	277, 291	70026116	353	70026586	140	70026987	351
70025480	337, 349	70026117	353	70026587	140, 467	70026988	351
70025561	279, 293	70026118	353	70026588	140	70026989	351
70025562	277, 279, 291, 293	70026119	353	70026589	140, 501	70026990	351
		70026120	353	70026590	140	70026991	339, 351
		70026121	353	70026591	140	70027009	75

SECTION 13 - SPECIAL OPTIONS/ACCESSORIES/KITS

70027022.....	283, 297	70028938.....	275, 289	70029726.....	147	70029792.....	145
70027024.....	367	70028939.....	275, 289	70029727.....	153	70029793.....	147
70027025.....	367	70028947.....	285, 299	70029728.....	147	70029794.....	145, 147
70027026.....	367	70028948.....	285, 299	70029729.....	147	70029795.....	155
70027028.....	367	70028949.....	285, 299	70029730.....	153	70029796.....	155
70027030.....	367	70028950.....	285, 299	70029731.....	153	70029798.....	499
70027032.....	367	70028951.....	285, 299	70029732.....	147, 155	70029821.....	495
70027033.....	367	70028952.....	285, 299	70029733.....	155	70029822.....	339
70027034.....	367	70028974.....	275, 289	70029734 ..	145, 147, 155	70029823.....	339
70027035.....	367	70028975.....	279, 293	70029735.....	145, 147	70029824.....	339
70027092.....	283	70029454.....	279, 293	70029736.....	147	70029825.....	339
70027094.....	195	70029482.....	275, 289	70029737.....	155	70029826.....	339
70027105.....	277, 291	70029483.....	277, 291	70029738.....	145, 147	70029827.....	339
70027134.....	497	70029484.....	279	70029739 ..	145, 147, 149, 151	70029828.....	339
70027275.....	493	70029486.....	279, 293	70029740.....	145	70029829.....	339
70027276.....	493	70029488.....	279, 293	70029741 ..	147, 149, 151	70029830.....	339
70027281.....	173, 177	70029489.....	279, 293	70029742.....	145, 147	70029831.....	339
70027283.....	101	70029522.....	495	70029743 ..	145, 147, 149	70029832.....	339
70027317.....	283, 297	70029523.....	495	70029744.....	151	70029833.....	339
70027642.....	97	70029544.....	279	70029745.....	147	70029834.....	339
70027693.....	463	70029545.....	280, 294	70029746.....	149, 151	70029835.....	339
70027705.....	215	70029559.....	459	70029747.....	145, 147	70029836.....	339
70027706.....	215	70029560.....	459	70029748.....	151	70029837.....	339
70027796.....	283	70029561.....	459, 473	70029749.....	149, 151	70029838.....	339
70028161... ..	463, 465, 471	70029562.....	459	70029750.....	145	70029839.....	339
70028164.....	457	70029563.....	459	70029751.....	147	70029840.....	339
70028388.. ..	275, 279, 289, 293	70029564.....	459	70029752.....	147	70029841.....	339
70028389.. ..	275, 279, 289, 293	70029565.....	459	70029753.....	155	70029842.....	339
70028390.....	277	70029566.....	459	70029754.....	155	70029843.....	339
70028391.....	277	70029567.....	473	70029755.....	147	70029844.....	339
70028392.....	280, 293	70029568.....	473	70029756.....	145, 147	70029850.....	293
70028397.....	293	70029569.....	473	70029757.....	147	70029851.....	293
70028398.....	291	70029570.....	473	70029758.....	155	70029852.....	297
70028399.....	291	70029571.....	473	70029759.....	155	70029874.....	497
70028450.....	173, 175	70029572.....	473	70029760.....	147	70029883.....	463
70028486.....	101	70029573.....	473	70029761.....	149	70029884.....	463
70028514.....	491, 676	70029574.....	457	70029762.....	145, 147	70029885.....	463, 471
70028515.....	491	70029575.....	457	70029763.....	151	70029886.....	463
70028516.....	491	70029576.....	457	70029764.....	147	70029887.....	463
70028517.....	491	70029577.....	457	70029765.....	147	70029888.....	463
70028519.....	101	70029578.....	457	70029766.....	147	70029893.....	471
70028520.....	101	70029579.....	457	70029767.....	147	70029894.....	471
70028521.....	101	70029584.....	495	70029768.....	147	70029895.....	471
70028522.....	101	70029589.....	459	70029769.....	147	70029896.....	465
70028523.....	101	70029590.....	457, 473	70029770.....	149	70029897.....	465
70028524.....	101	70029704.....	155	70029771.....	151	70029898.....	465
70028525.....	101	70029705.....	155	70029772.....	149	70029974.....	465
70028526.....	101	70029706.....	155	70029773.....	149	70029981.....	351
70028527.....	101	70029707.....	155	70029774.....	147	70029982.....	351
70028528.....	101	70029708.....	155	70029775.....	147	70029983.....	351
70028529.....	101	70029709.....	155	70029776.....	147	70029984.....	351
70028530.....	101	70029710.....	155	70029777.....	147	70030001.....	497
70028531.....	101	70029711.....	155	70029778.....	145, 147	70030002.....	497
70028547.....	407	70029712.....	155	70029779.....	147	70030003.....	497
70028779.....	351	70029713.....	155	70029780.....	147	70030004.....	497
70028780.....	351	70029714.....	155	70029781.....	145, 147	70030005.....	497
70028781.....	351	70029715.....	155	70029782.....	145, 147	70030006.....	497
70028782.....	351	70029716.....	155	70029783.....	153	70030007.....	497
70028886.....	275, 289	70029717.....	149	70029784.....	153	70030008.....	497
70028890.....	279, 293	70029718.....	149	70029785.....	147	70030009.....	497
70028891.....	279, 293	70029719.....	149	70029786.....	145	70030010.....	497
70028922.....	280, 293	70029720.....	147	70029787.....	147	70030011.....	497
70028923.....	279, 293	70029721.....	147	70029788.....	151	70030012.....	497
70028924.....	279, 293	70029722.....	147	70029789.....	147	70030013.....	497
70028926.....	279, 293	70029723.....	147	70029790.....	149, 151	70030014.....	497
		70029724.....	147	70029791.....	147	70030015.....	497
		70029725.....	145, 147		155	70030016.....	497

SECTION 13 - SPECIAL OPTIONS/ACCESSORIES/KITS

70030017	497	7082311	37, 39, 41, 43	7300674.....	43	8036038	259
70030018	497	7082342	37, 39, 41, 43	7300675.....	43	8036039	259
70030019	497	7082362	37, 39, 41, 43	77133133.....	341, 363	8036040	259
70030020	497	7083992	34	77133134.....	341, 363	8036041	263
70030021	497	7085571	59	77143006.....	527	8036042	263
70030022	497	7090871	25	80204002.....	275, 289	8036050	337, 349, 357
70030023	497	7090891	25	80204005.....	279, 293	8036056	337, 349, 359
70030036	423	7095352	34	80204012...275, 280, 289,		8036099	359
70030037	423	7095522	34	293		8036100	359
70030038	497	7096552	34	80204033.....	277, 291	8036190	245, 247, 255
70030039	497	7096562	34	80204035.....	277, 291	8036196	357
70030040	497	7096772	43	80204043.....	277, 291	8036197	357
70030041	497	7096882	37, 39, 41, 43	80204048.....	277, 291	8036198	357
70030141	97	7110172	37	80204060.....	283	8036199	357
70030142	97	7110702	113	80204065.....	279, 293	8036209	589
70030143	97	7110712	113	80204071.....	279, 293	8036210	591
70030144	97	7110722	113	80204076.....	279, 293	8036212	589, 591
70030145	97	7111572	37, 39, 41, 43	80204108.....	283	8036213	589, 591
70041616 ..	173, 175, 177	7112452	34, 53	80204117.....	283, 297	8036214	589, 591
70041617 ..	173, 175, 177	7112732	39	80204144.....	285, 299	8036215	589, 591
70041619 ..	173, 175, 177	7116572	595	80204281.....	283	8036216	589, 591
70041620 ..	173, 175, 177	7116642	55	8024033.....	680	8036250	263
7010769	495	7116652	55	80264138.....	387	80363179	575
7012903	471	7116662	55	80304405.....	239	80364095	387
7024441	479, 489	7116691	55	8032694.....	495	8036502	680
7024574	455	7116733	41, 55	8032695.....	495	8036580	471
7024939	475	7116812	55	80334277.....	475	8036581	471
7024943	475	7117031	37	8033786.....	455	8036582	471
7024944	475	7117502	41	8034697.....	497	8036726	339, 351
7024953	475	7118892	34	8034815.....	359	8036732	465
7024954	475	7124301	15	8035109.....	269	8036733	451
7026404	562, 568	7124451	15	8035281.....	471	8036747	680
7026758 ...	243, 245, 247, 249, 251, 253	7124471	15, 583, 597	8035282.....	471	8037109	497
7026759 ...	243, 245, 247, 249, 251, 253	7124491	25	8035321.....	473	80373094	189
7026760 ...	243, 245, 247, 249, 251, 253	7125801	25	8035326.....	680	80384207	359
7026798	367	7125811	37	8035327.....	473	80384213	359
7027273	255	7125871	167, 169, 171	8035347.....	497	80384218	337, 349
7028714	279, 293	7138468	43	8035382.....	497	8050001	15, 271
7028716	279, 293	7138634	233	8035393.....	359	80604016	575
7028739	680	7138833	326, 332, 344	8035409.....	359	80604017	625
7029037	257, 259	7138836	326, 332, 344	8035411.....	359	80604018 .	560, 561, 566, 567, 568, 571, 572
7029039	259	7138878	326, 332, 344	8035493.....	361	80604021 ..	562, 566, 573
7029127	285, 299	7138882	323	8035498.....	361	80604024	566, 571
7029246	471, 677	7138944	326, 332, 344	8035499.....	361	80623016	403
7029288	275, 289	7138958	337, 349	8035500.....	361	80634004	475
7029309	279	7138977	39	8035523.....	357	8065062	113
7029311	279, 293	7138986	39	8035536.....	455, 461	8065063	25
7029417	263	7139032	49, 51	8035720.....	680	8065640	15, 43
7029520	137	7139047	17, 19	8035781.....	471	8065641	15
7029521	137	7139077	479, 489, 676	8035807.....	326, 332, 676	80963061	535
7029532	245, 247, 255	7139407	17, 19	8035862.....	455	80963062 ..	560, 566, 571
7029533	245, 247, 255	7139416	49, 51	8035863.....	455	80963067 .	535, 560, 566, 568, 571
7029692	85, 87	7139504	409	8036021.....	237	8124138	49, 51
7029711	97	7139505	409	8036022.....	237	8127024	51
7029714	87	7139692	34, 51	8036023.....	239	82033995	351
7029734	283, 297	7150680	587	8036024.....	241	82033997	337, 349
7029735	283, 297	7150681	585	8036025.....	241	8205655	455
7029786	297	7150685	589	8036026.....	241	8220007	625
7029787	283	7150690	585, 587	8036027.....	241	8220035	521, 625
7029860	359	7150699	583, 589	8036028.....	241	8220051	535, 595, 625
7054351	233	7150702	589	8036029	245, 247, 249, 251, 253	8220058	562, 569, 572
7057141	191, 193	7150703	591	8036030.....	255	8220081 ...	560, 562, 567, 569, 571, 572, 603
7062922	113	7150716	583, 591	8036031.....	255	8220089	535, 568, 593
7079572	37, 39, 41, 43	7150717	591	8036032.....	255		
		7300435	167, 169, 171	8036033.....	257		
		7300672	43	8036036.....	259		
		7300673	43				

SECTION 13 - SPECIAL OPTIONS/ACCESSORIES/KITS

8220097535, 560, 566, 571	8303629 25	8307110 ... 326, 332, 344, 417	8410007.....185
8220098....535, 560, 566, 571	8303633 39	8307111 508, 512, 516	8410021.....187
8220108.....521	8303634 41, 113	8307112 ... 326, 332, 337, 344, 349	8420053..34, 75, 97, 101, 103, 107, 111, 113
8220124....560, 562, 566, 569, 571, 572, 573, 575	8303640 59	8307202 17, 19	8420055..34, 75, 97, 101, 103, 107, 111, 113
8220125.....535, 568	8303666 34	8307203 15, 39, 409	8430032....389, 433, 437
8220160.....562, 568	8303675 439	8307204 ... 17, 19, 37, 39, 41, 43, 55, 583, 597, 611	8430033.....437
8220162.....535	8303679 39, 41	8307206 55	8430046.....433
8220164....561, 568, 572	8303681 ... 37, 39, 41, 43	8307219 609	8430048.....341, 363
8220366.....567	8303697 34, 326, 332, 344, 479, 489	8307222 187, 385	8466306....630, 634, 638, 642, 646, 650, 654
8220375.....567	8303715 113	8307904 34, 113	8500203.....583
8220536....560, 561, 566, 567, 571, 572	8303724 233	8307910 31	8520001....25, 37, 39, 41, 447
8220889.....561, 567	8303729 17, 19	8307911 31	8520003.39, 41, 403, 447
8220890.....619	8303738 37, 43	8307918 34, 113	8520013.....31, 473
8220895.....575	8303745 585, 587	8310009 ... 217, 395, 409, 425, 427	8520021.....473
8220904....534, 581, 603, 607, 625	8303757 ... 417, 419, 421	8310019 34, 37	8522012...25, 27, 51, 447
8220927....535, 560, 566, 571	8303766 417	8310020 41	8526007.....221, 461
8220929....535, 560, 566, 571	8303771 ... 583, 597, 611	8310026 34, 326, 332, 344	8526011.....461
8223025.....583, 677	8303772 34	8310046 508, 512, 516	8526406.....34
8223037 326, 332, 344, 677	8303782 447	8310067 43, 233	8530030.....439
8223038....577, 579, 677	8303784 221	8310081 39	8546407.....429
8223043....332, 344, 677	8303982 ... 326, 332, 344	8310085 ... 329, 335, 347	8580315.....113
8223044....332, 344, 677	8304608 397	8310093 34	8580420.....17, 19
8223054....326, 332, 344, 677	8305002 ... 508, 512, 516	8310109 337, 349	8584001.....53, 113, 341, 363, 508, 512, 516, 583, 597, 617
8223059....583, 597, 677	8305004 17, 19, 423, 611, 617	8310113 43	8584018.....583, 597
8223060.....583, 677	8305006 15, 409	8310116 27, 271	8584021.....53
8223073.....583, 676	8305008 ... 191, 193, 417	8310160 113	85841150.....417
8223232.....233	8305014 ... 477, 481, 487	8310161 113	8630019.....439
8223536.....23	8305043 187, 385	8310205 34	8640123.....439
8229233.....536, 676	8305603 355	8310209 55	8640208.....429
8229234....521, 536, 676	8305619 59	8310215 233	8642207.....113
8229235....519, 536, 676	8305624 34, 337, 349, 508, 512, 516, 523	8310235 55	8642224.....34
8229237536, 676	8305626 43, 326, 332, 344, 583, 585, 587, 597	8310245 55	8642237.....49, 51
8229238536, 676	8305638 355	8310281 191, 193	86683122.....227
8229242....562, 569, 676	8305643 ... 31, 34, 39, 41, 113	8310356 439	8750003.....39
8229243.....607, 676	8305644 ... 25, 34, 41, 55, 326, 332, 344, 447	8310382 ... 326, 332, 344	8750011.....43
8229244.....568, 676	8305645 ... 17, 19, 34, 37, 55, 57, 583, 597, 611	8310420 439	8750012....219, 395, 397, 425, 427
8229261521, 536, 676	8305646 34	8310424 213	8750017.....43, 217, 219, 417, 425
8270620....508, 512, 516	8305906 34	8310425 267	8750025....417, 419, 421
8270621523	8305916 ... 326, 332, 344	8310431 34	8750026.....425
8278020.....191, 193	8307002 17, 19, 617	8310478 429	8750027....395, 397, 425, 427
8302470.....17, 19	8307003 ... 508, 512, 516	8310493 323	8750040....419, 421, 425
8303034....329, 335, 337, 347, 349, 355, 413	8307004 39, 217, 395, 417, 419, 421, 425, 427	8310497 34	8760268....425, 431, 433
830304143	8307005 ... 37, 39, 41, 43, 439, 617	8310522 ... 185, 187, 429, 439	8760463.....409
8303119.....355	8307006 267	8310576 423	8760465.....43
8303519.....439	8307007 39, 41, 429	8310672 34	8760468.....43
8303545....508, 512, 516, 609	8307009 ... 477, 481, 487	83191010 319	8760548.....233
8303615.....17, 19	8307011 323	8405007 ... 203, 205, 341, 363	8760552.....479, 489
8303620....37, 39, 41, 43, 326, 332, 344, 417	8307023 ... 326, 332, 344	8405104 203, 205	8765204....405, 429, 431, 621
8303621....37, 39, 41, 43, 447	8307024 379	8405201 203, 205	8769122.....37, 43
8303622.....39	8307027 ... 508, 512, 516	8405212 203, 205, 229	8769123.....37, 43
8303624.....39, 41	8307049 233	8405305 203, 205	8769127.....217, 219
8303626....326, 332, 344, 429	8307104 34, 59	8405404 185	8769128....43, 217, 395, 425, 427
8303628.....25	8307106 34, 187, 326, 332, 344, 508, 512, 516	8406010 611	8769132.....113
	8307109 ... 191, 193, 326, 332, 344	8406105 ... 233, 508, 512, 516	8769139.....43
		8406112 ... 167, 169, 199, 201	8770016.....113
		8406303 171	8770048.....479, 489

SECTION 13 - SPECIAL OPTIONS/ACCESSORIES/KITS

8770064	399	90554020	75, 85, 97	91403414..	34, 75, 79, 97,	91514131	277, 291
8770189	25	90554033	71	101, 103, 107, 111,		91514133	277, 291
8780039	303	90554034	71	113, 140		91514134	277, 291
8786514 ...	301, 311, 313,	90554042	75, 85	91403448.....	73	91514143	277
315, 317		90554045	449, 453	91404011.....	387	91514146	279, 293
8820904	607	90554054	75, 85	91404013.....	387	91514147	279, 293
88211516	583	90554062	85, 87	91404298.....	337, 349	91514148	279, 293
88251074	34	90554065	87, 97	91404299.....	337, 349	91514149	279, 293
88261015	171	90554067	97	91404301.....	337, 349	91514151	283
8841036	233, 235	90554076	85, 87	91404326.....	387	91514154	283, 297
88411148 ..	477, 481, 487	90554080	137	91473086.....	389	91514159	283, 297
88501005	597	91043125	79	91473206.....	301	91514174	279, 293
88671001 ..	103, 107, 111	91043126	79	91474028.....	499	91514175	279, 293
8880218-OM	267	91043147	341, 363	91474512.....	275, 289	91514177	279, 293
8880219-OM	267	91053419	229	91503106.....	560	91514180	279, 293
8881800	171	91081640	527	91513266.....	319	91514181	279, 293
8903015	497	91083129	187	91514081.....	279, 293	91514183	279, 293
8990147	326, 332, 344	91083385	303, 305	91514082.....	279, 293	91514188	279, 293
90028631	187	91163035	211	91514083.....	279	91514189	279, 293
90200003 ...	99, 103, 105,	91293003	187	91514084.....	279	91514225	387
107, 109, 111, 113		91304025	387	91514089..	275, 279, 283,	91563250	303, 305
90206196	609, 613	91364023	189	289, 293		91565039.....	305
90554016 .	71, 75, 85, 87,	91403097	233	91514095.....	279, 293	91565040	305
97, 101, 135		91403193	271	91514101.....	275, 289		
90554017	87, 97	91403413 .	34, 75, 79, 97,	91514111.....	279, 293		
90554018	87	101, 103, 107, 111,		91514118.....	319		
90554019	101	113, 140		91514130.....	277, 291		



An Oshkosh Corporation Company

Corporate Office
JLG Industries, Inc.
1 JLG Drive
McConnellsburg, PA 17233-9533 USA
☎ (717) 485-5161 (Corporate)
☎ (877) 554-5438 (Customer Support)
📠 (717) 485-6417

Visit our website for JLG Worldwide Locations.
www.jlg.com